



Count on it.

Parts Catalog

**Z Master[®] G3 Riding Mower
with 72in TURBO FORCE[®] Side Discharge
Mower**

Model No. 74977—Serial No. 311000125 and Up



Ordering Replacement Parts

To order replacement parts, please supply the part number, the quantity, and the description of each part desired.

Understanding Reference Numbers

Each identified part in an illustration has a reference number. The reference number for a part also appears in the parts list, along with other information about the part.

This catalog uses two special reference number formats, one to indicate parts in a service assembly and another to indicate the quantity of a given part in an illustration.

Service Assembly Reference Numbers

Parts in service assemblies have reference numbers in the form a:b. The a represents the reference number of the entire service assembly and the b represents a sequential number unique to each part within the service assembly.

For example, a wheel assembly might be identified by reference number 6, the tire by 6:1, the valve by 6:2, and the wheel by 6:3. When you order the assembly identified by reference number 6, you receive all parts identified by reference numbers 6:1, 6:2, and 6:3. However, you may also order any part individually. Reference numbers of this type appear in illustration and in parts lists.

Reference Numbers Indicating Quantity

In an illustration, if a reference number indicates more than one part, the reference number has the form nX y. The n represents the quantity of the part, the X is the multiplication symbol, and the y represents the reference number.

For example, in an illustration, the reference number 2X 37 means that two of the parts identified by reference number 37 are indicated.

List of Abbreviations

AR: as required

ASM: assembly

BBC: blade brake control

BHTF: button head thread forming

CARR: carriage

CCW: counter clockwise

CW: clockwise

DEG: degrees

DPA: Dual Point Adjustment

ECM: electronic control module

EXT: external

FH: flat head

GA: gauge

HD: heavy-duty

HF: hex flange

HH: hex head

HHF: hex head flange

HHFTF: hex head flange thread forming

HJ: hex jam

HLH: hex lag head

HOC: height-of-cut

HSBH: hex socket button head

HSFH: hex socket flat head

HSH: hex socket head

HWH: hex washer head

HWTF: hex washer head thread forming

HYD: hydraulic

LH: left hand

LPG: Liquid Propane Gas

NI: nylon insert

NPTF: national pipe thread fine

PFH: phillips flat head

PPH: phillips pan head

PPHTF: phillips pan head thread forming

PRH: phillips round head

PTH: phillips truss head

PTO: power-take-off

RH: right hand

ROPS: roll-over protection system

RRB: rear roller brush

SFH: slotted fillister head

SHH: slotted hex head

SHWH: slotted hex washer head

SPH: slotted pan head

SQH: square head

SRH: slotted round head

STD: standard

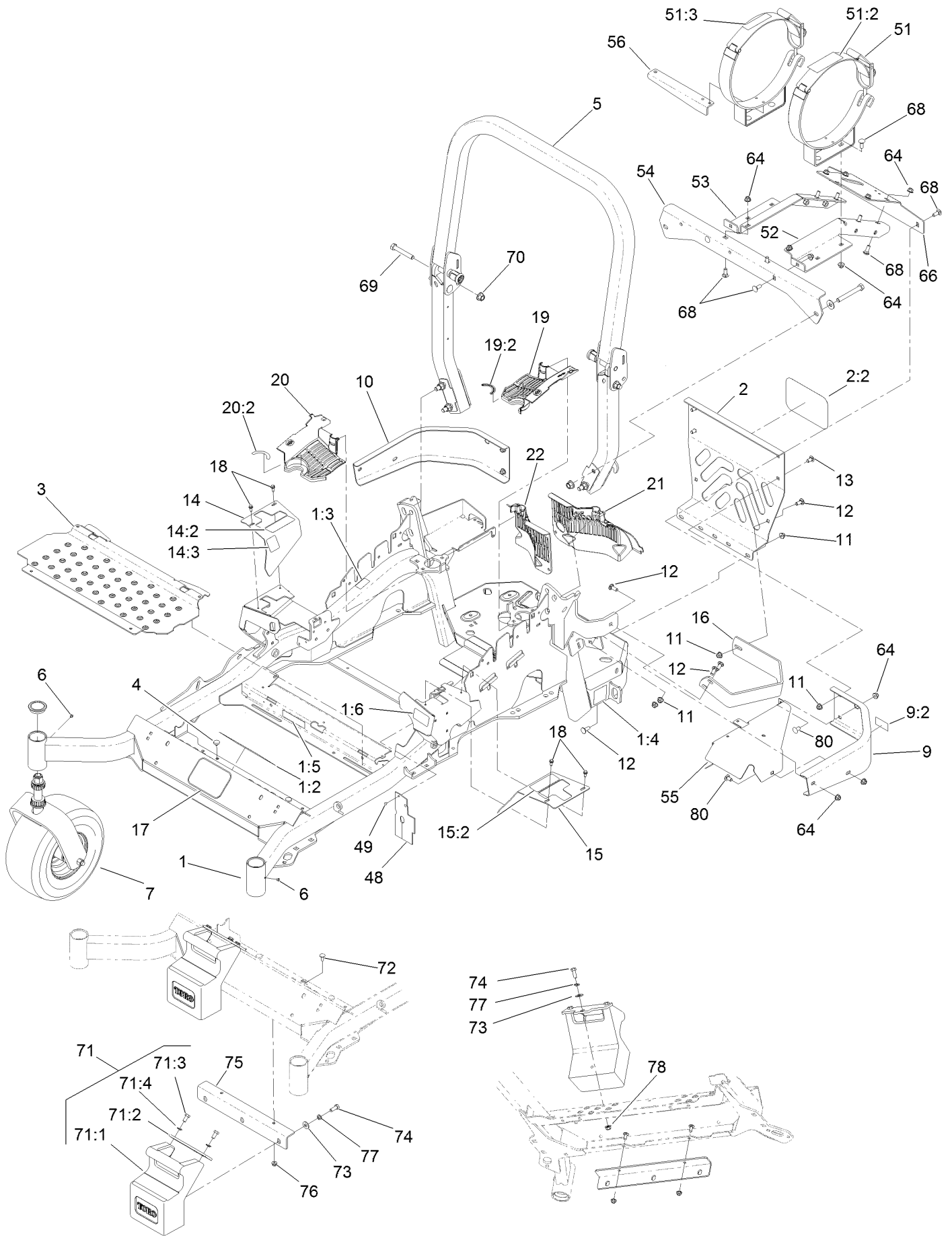
TAP: self tapping

TTH: torx truss head

Contents

Front Frame and Caster Wheel Assembly	4
Roll-Over Protection System Assembly No. 116-0231	6
Caster Wheel and Fork Assembly	7
Hydraulic Pump, Idler and Belt Assembly	8
Pump Idler Assembly No. 116-1255	9
LH Hydro Assembly No. 116-1326	10
RH Hydro Assembly No. 116-1327	11
Rear Wheel and Park Brake Assembly	12
Brake Handle Assembly No. 116-1878	13
LPG Valve, Tank and Hose Assembly	14
LPG Solenoid Regulator Assembly No. 116-5638	15
Seat Mounting Assembly	16
Seat Assembly No. 116-0035	17
Motion Control Assembly	18
Fender, Console and Control Assembly	19
LH Console Assembly No. 115-7401	20
RH Console Assembly No. 115-7400	21
Electrical System Assembly	22
Deck Lift Assembly	23
Height-of-Cut Assembly No. 109-7438	25
Engine, Clutch and Muffler Assembly	26
Deck Assembly	27
Deck Decal Assembly No. 112-4195	29
Idler Assembly	30
Spindle Assembly No. 119-8500	31
Rubber Deflector Assembly No. 108-2792	32
Lever Assembly No. 107-1664	33
Attachments and Accessories	34

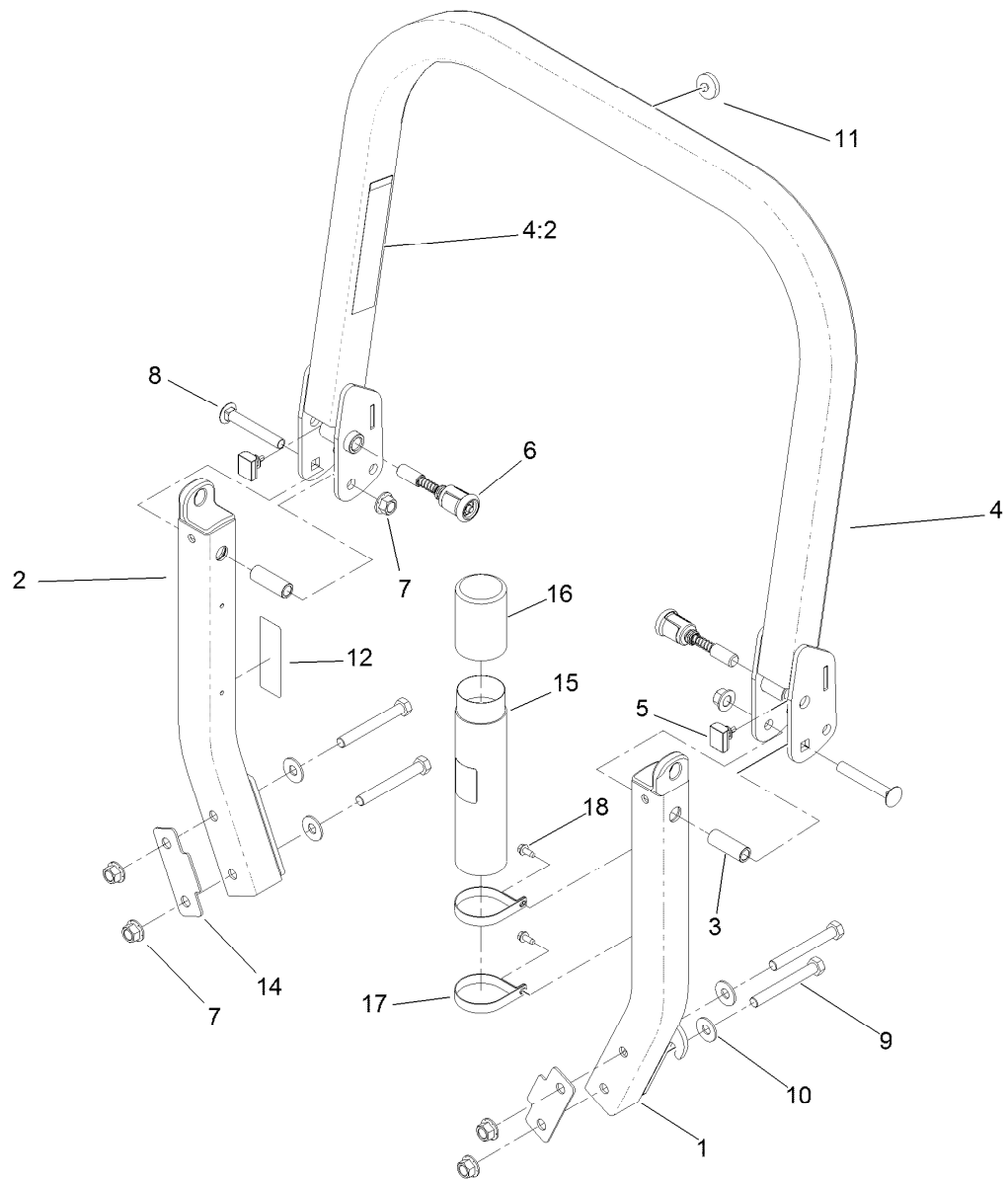
Front Frame and Caster Wheel Assembly



Front Frame and Caster Wheel Assembly (continued)

<i>Ref.</i>	<i>Part Number</i>	<i>Qty.</i>	<i>Description</i>	<i>Ref.</i>	<i>Part Number</i>	<i>Qty.</i>	<i>Description</i>
1	116-2128	1	Main Frame ASM	20:2	116-0157	1	Decal-Hydro Oil
1:2	103-2076	2	Decal-Caution	21	109-9057	1	Guard-Hydro, Rear LH
1:3	116-3303	1	Decal-Slope	22	109-9058	1	Guard-Hydro, Rear RH
1:4	116-0205	2	Decal-Belt Drive	48	116-2362	1	Deflector-Air Flow
1:5	116-4858	1	Decal-Spark Arrester	49	1-803035	2	Rivet-Pop
1:6	116-1654	1	Decal-Fuel Fill	51	116-2817	1	Bracket-Tank
2	119-4237	1	Rear Guard ASM	51:2	109-9875	1	Decal-LPG Warning
2:2	68-3640	1	Decal	51:3	116-1714	1	Decal-LPG 43.5Lb Tank
3	116-0024-01	1	Floorpan	52	116-2819-03	1	LH LPG Frame ASM
4	1-513658	2	Bumper	53	116-2820-03	1	RH LPG Frame ASM
5	116-0231	1	ROPS ASM	54	116-2285-03	1	Support-LPG Frame, Front
6	1-811010	2	Plug	55	116-4017-03	1	Panel-LPG, Ac
7		2	Caster Wheel ASM ●	56	116-2301-03	1	Plate-Index, LPG Tank
9	116-0180	1	LH Bumper ASM	64	104-8301	14	Nut-Flange, NI
9:2	103-2076	1	Decal-Caution	66	116-2553-03	1	Support-Rear Frame, LPG
10	116-0057-03	1	Bumper-RH	68	3231-2	14	Screw-CARR
11	104-8301	11	Nut-Flange, NI	69	325-13	1	Screw-HH
12	3231-22	7	Screw-CARR	70	99-5107	1	Nut-Lock
13	3231-21	4	Screw-CARR	71	120-7885	1	Weight ASM
14	116-0579	1	RH Motion Control Cover ASM	71:1	120-7881	1	Weight-43 Lb
14:2	109-7232	1	Decal-Motion Control	71:2	115-3616-01	1	Tab-Support, Weight
14:3	109-7929	1	Decal-Park Brake	71:3	323-4	2	Screw-HH
15	116-0580	1	LH Motion Control Cover ASM	71:4	3253-5	2	Washer-Lock
15:2	109-7232	1	Decal-Motion Control	72	3230-23	2	Screw-CARR
16	116-0043-03	1	Guard-Muffler	73	3256-4	2	Washer-Flat
17	68-3640	1	Decal	74	323-6	3	Screw-HH
18	32144-10	4	Screw-HWH	75	115-3615-01	1	Bracket-Mount, Weight
19	116-0170	1	LH Hydro Guard ASM	76	104-8300	2	Nut-Flange, NI
19:2	116-0157	1	Decal-Hydro Oil	77	3253-5	2	Washer-Lock
20	116-0171	1	RH Hydro Guard ASM	78	104-8301	1	Nut-Flange, NI
				80	3231-21	1	Screw-CARR

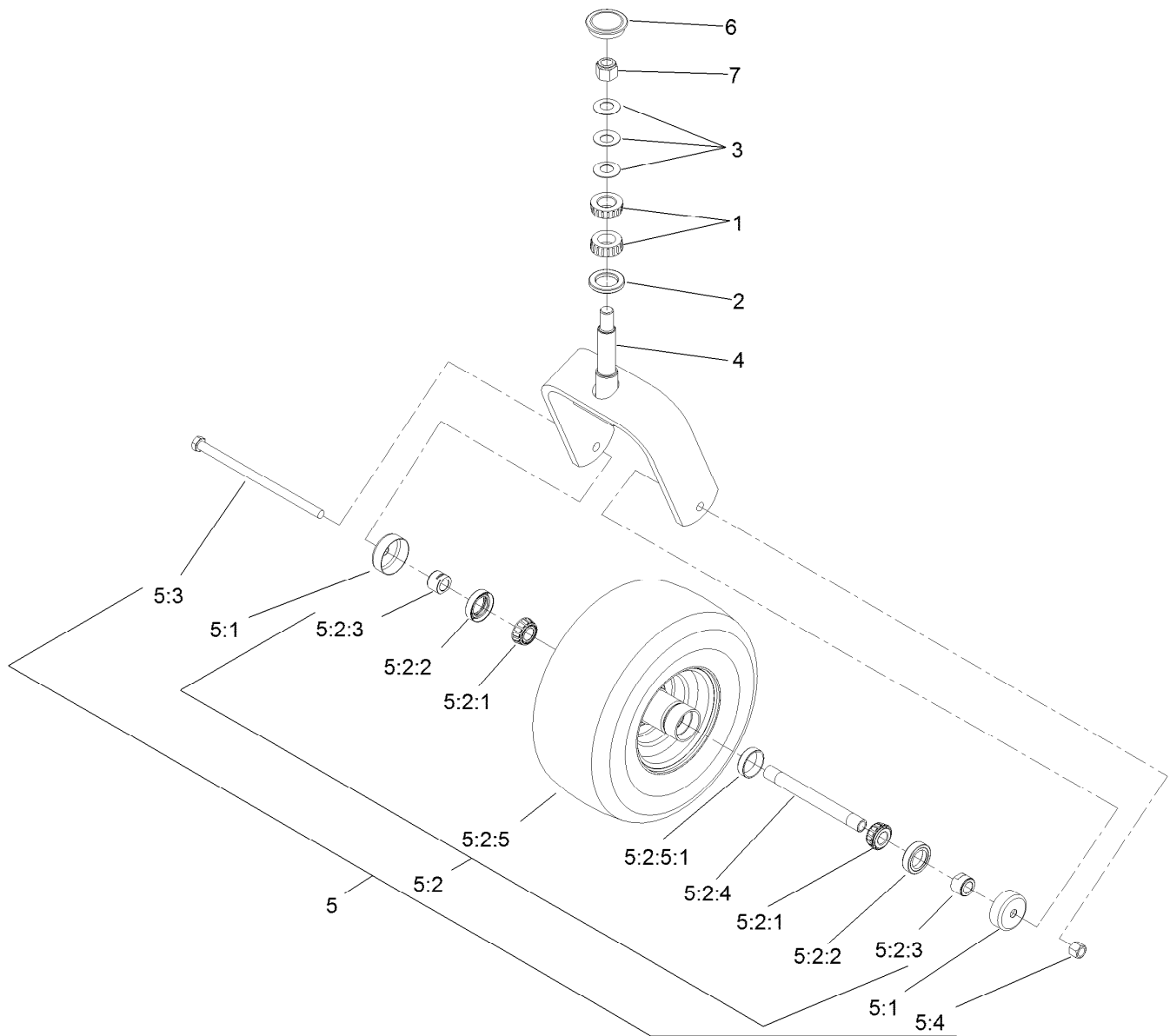
● Not serviced separately



Roll-Over Protection System Assembly No. 116-0231

Ref.	Part Number	Qty.	Description	Ref.	Part Number	Qty.	Description
1		1	LH ROPS Leg ASM ●	9	325-17	4	Screw-HH
2		1	RH ROPS Leg ASM ●	10	109-9505	4	Washer-Spring
3	109-6653	2	Spacer	11	109-9233	1	Bumper-Push-In, Rubber
4		1	Upper ROPS ASM ●	12	116-0090	1	Decal-Caution
4:2	107-2102	1	Decal-Warning, Folding ROPS	14	116-0960	2	Spacer
5	109-5337	2	Bumper-ROPS	15	104-7050	1	Tube-Manual
6	116-0104	2	Spring Pin ASM	16	104-7048	1	Cap-Housing
7	99-5107	6	Nut-Lock	17	107-1865	2	R-Clamp
8	3233-10	2	Screw-CARR	18	32144-10	2	Screw-HWH

● Not serviced separately

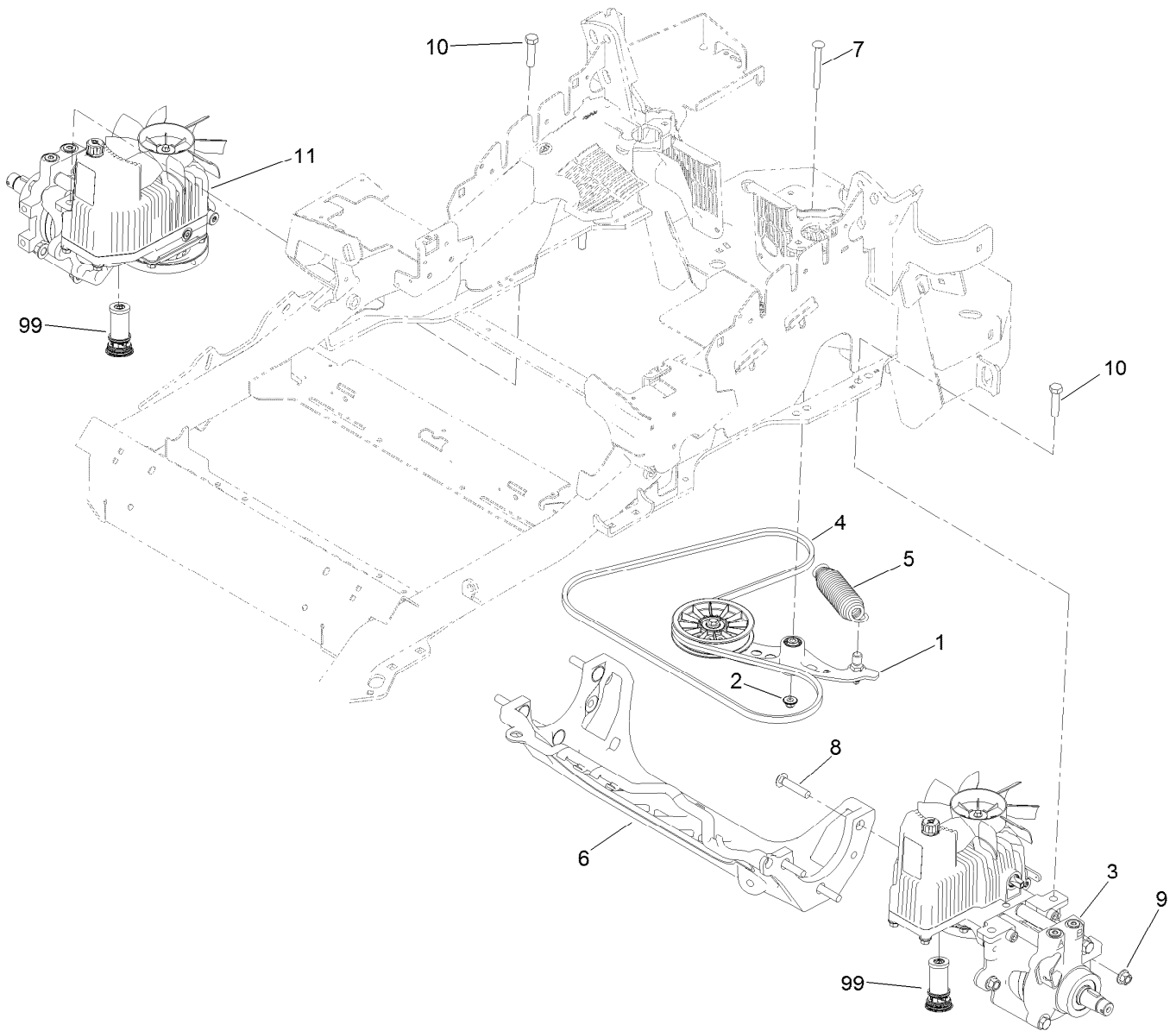


Caster Wheel and Fork Assembly

Ref.	Part Number	Qty.	Description	Ref.	Part Number	Qty.	Description
1	1-543509	2	Bearing-Roller, Tapered	5:2:3	103-3051	2	Spacer-Nut ■
2	1-543511	1	Seal-Grease	5:2:4	103-5156	1	Axle-Caster
3	1-633508	3	Washer-Bellville	5:2:5	109-9124	1	Wheel And Tire ASM
4	103-1474-01	1	Caster-Fork	5:2:5:1	1-633584	1	Bearing-Cup
5	109-9127	1	Wheel And Tire ASM	5:3	325-39	1	Screw-HH
5:1	103-2768	2	Guard-Seal	5:4	3296-23	1	Nut-Lock, NI
5:2		1	Wheel And Tire ASM ●	6	103-4882	1	Cap-Grease
5:2:1	1-633585	2	Bearing-Cone, Taper	7	3296-51	1	Nut-Lock, NI
5:2:2	103-0063	2	Seal-Caster				

● Not serviced separately

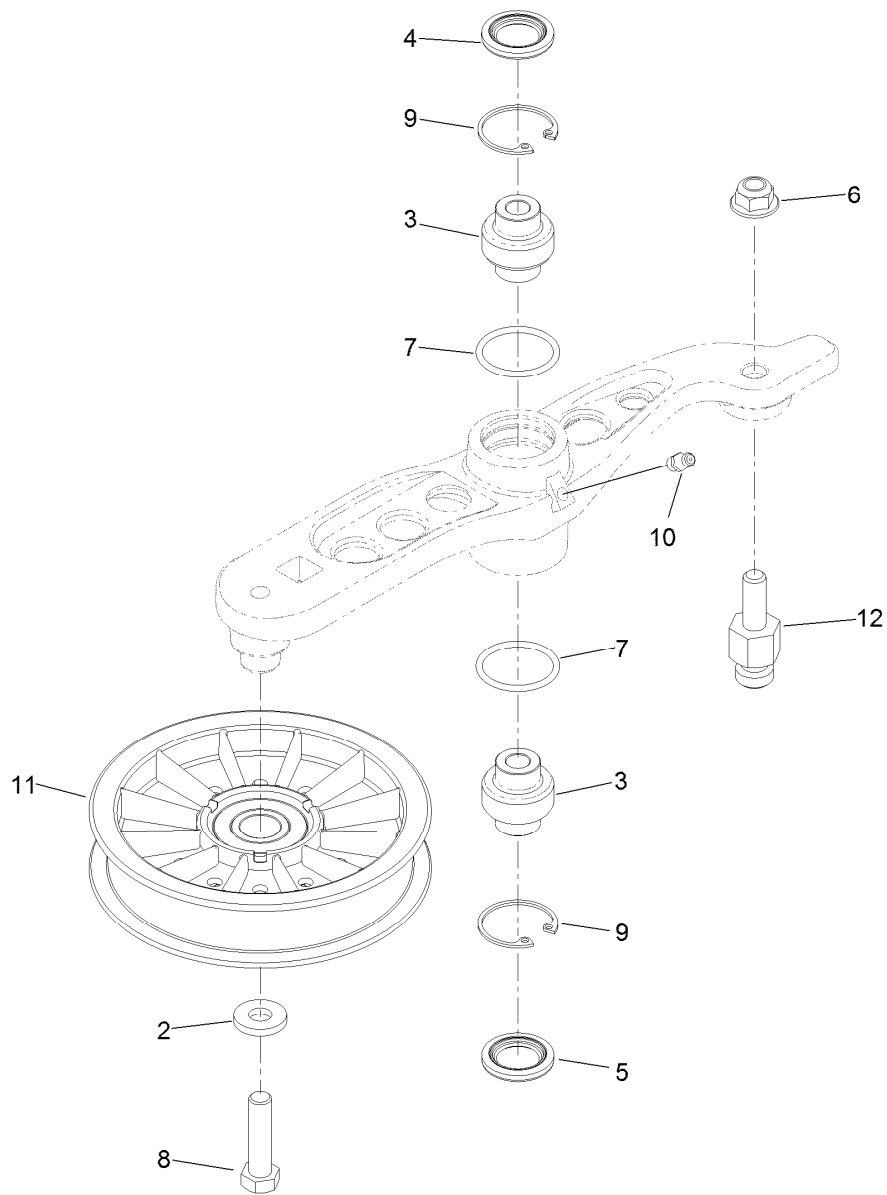
■ Use Pro-Lock, Nut Type (P/N 1-840022, .5ml tube) on threads.



Hydraulic Pump, Idler and Belt Assembly

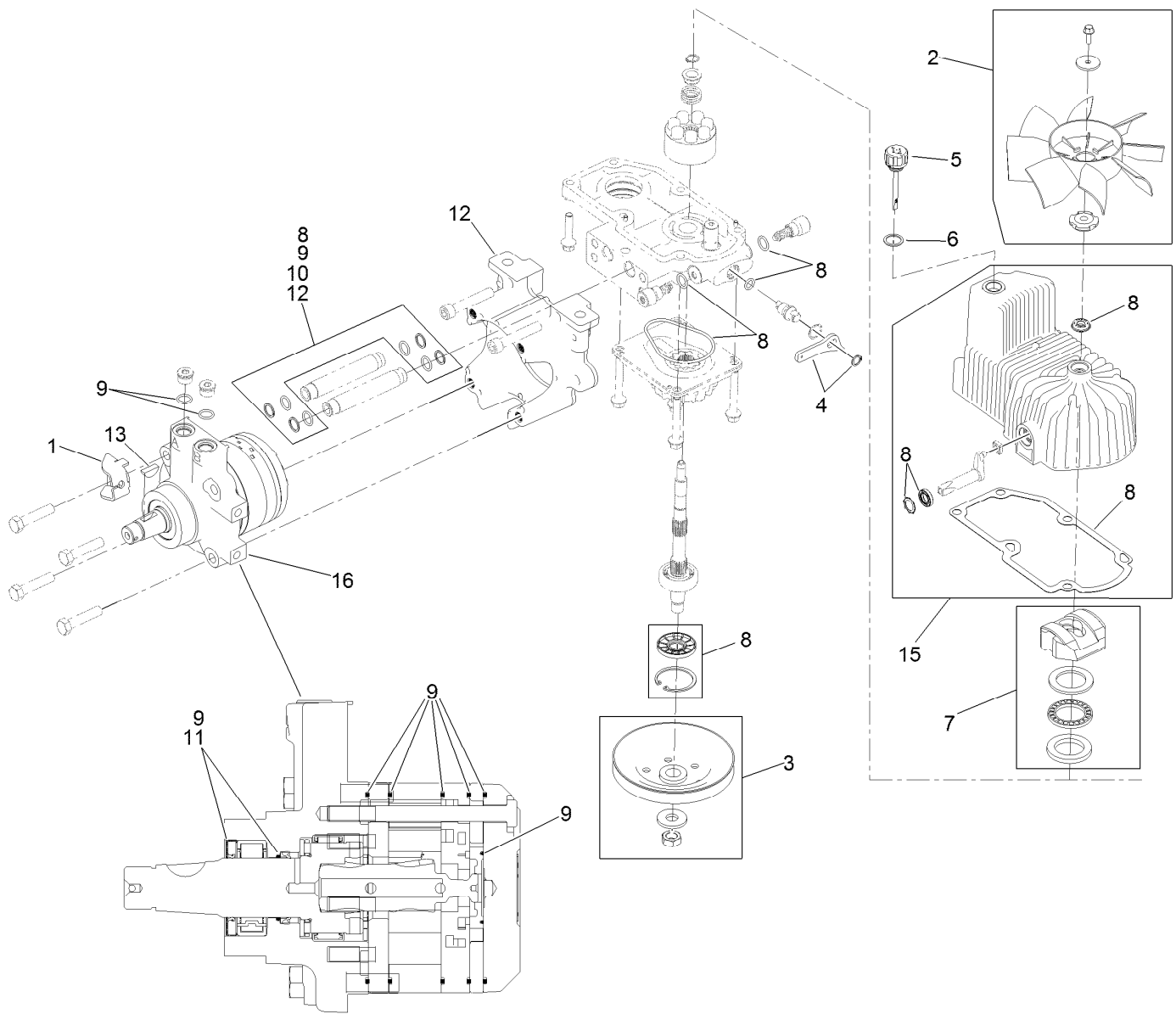
Ref.	Part Number	Qty.	Description
1	116-1255	1	Pump Idler ASM
2	109-6658	1	Nut-Flange, NI
3	116-1326	1	LH Hydro ASM (16Cc W/Shock)
4	109-3388	1	Belt
5	116-0133	1	Extension-Spring
6	109-9375	1	Cradle-Hydro
7	116-1502	1	Bolt-Shoulder, Carriage
8	3233-34	6	Screw-CARR
9	99-5107	6	Nut-Lock
10	325-8	4	Screw-HH
11	116-1327	1	RH Hydro ASM (16Cc W/Shock)
99	114-4713	1	Hypr-Oil 500 (Quart) ●
99	114-4714	1	Hypr-Oil 500 (Gallon) ●
99	114-4715	1	Hypr-Oil 500-5 (5 Gallon) ●
99	117-0390	1	Filter-Hydro

● Not illustrated



Pump Idler Assembly No. 116-1255

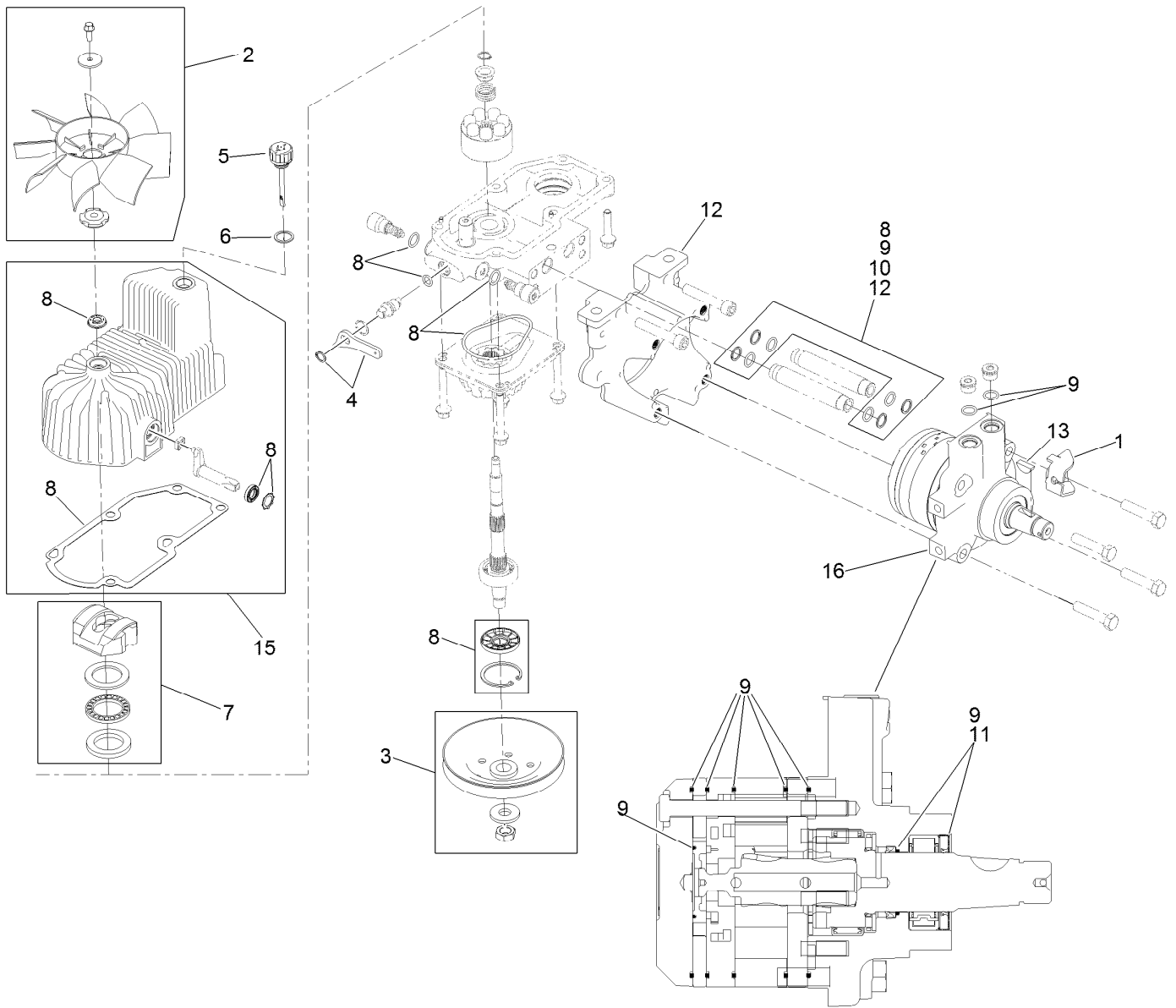
Ref.	Part Number	Qty.	Description
2	43-0940	1	Spacer
3	103-3504	2	Bearing-Spherical
4	103-3505	1	Seal-Double Lip
5	103-3506	1	Seal-Single Lip
6	109-6658	1	Nut-Flange, NI
7	106-7159	2	O-Ring
8	323-8	1	Screw-HH
9	32120-10	2	Ring-Snap
10	302-19	1	Fitting-Grease
11	109-8076	1	Pulley-Idler
12	116-3467	1	Pin-Spring, Anchor



LH Hydro Assembly No. 116-1326

Ref.	Part Number	Qty.	Description	Ref.	Part Number	Qty.	Description
1	116-1758	1	Bracket-Anchor, Cable	9	116-1369	1	Motor Seal Kit
2	116-0233	1	Fan Kit	10	116-1370	1	Tube Seal Kit
3	116-0234	1	Pulley Kit	11	116-1371	1	Output Shaft Seal Kit
4	116-0235	1	Handle-Bypass Valve, Hydro	12	116-5469	1	Nose Cup-Uht
5	116-0236	1	Dipstick-Hydro W/Gasket	12	116-1372	1	Cup-Nose
6	116-0237	1	Gasket-Dipstick, Hydro	13	3257-42	1	Key-Woodruff
7	116-1367	1	Swash Block Kit	15	116-3287	1	Housing-Hydro, LH
8	116-1368	1	Pump Seal Kit	16	116-5467	1	Motor-Hydraulic, LH 280Cc
				99	116-1373	1	Flow Test Kit ●

● Not illustrated

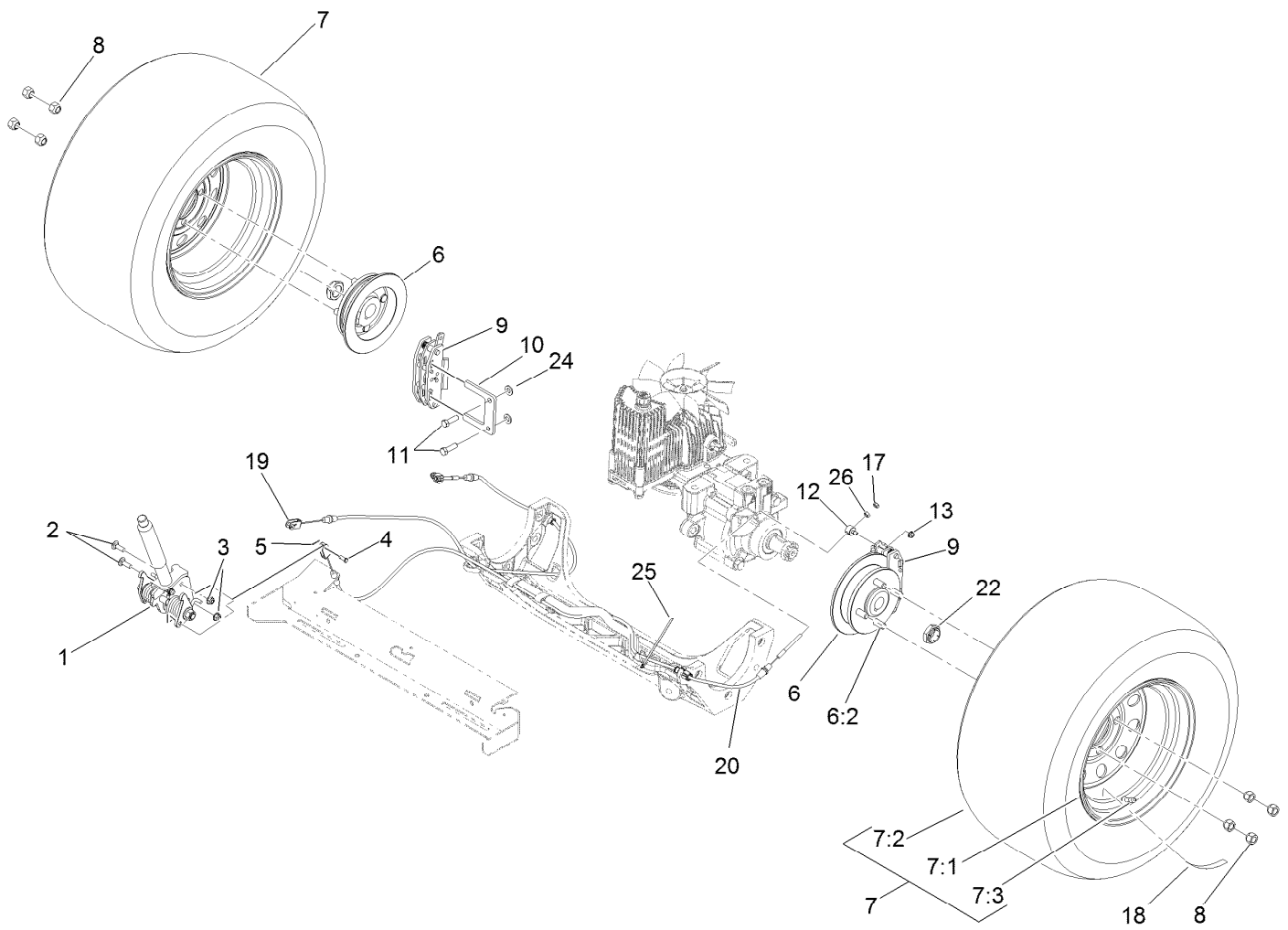


RH Hydro Assembly No. 116-1327

Ref.	Part Number	Qty.	Description
1	116-1758	1	Bracket-Anchor, Cable
2	116-0233	1	Fan Kit
3	116-0234	1	Pulley Kit
4	116-0235	1	Handle-Bypass Valve, Hydro
5	116-0236	1	Dipstick-Hydro W/Gasket
6	116-0237	1	Gasket-Dipstick, Hydro
7	116-1367	1	Swash Block Kit
8	116-1368	1	Pump Seal Kit

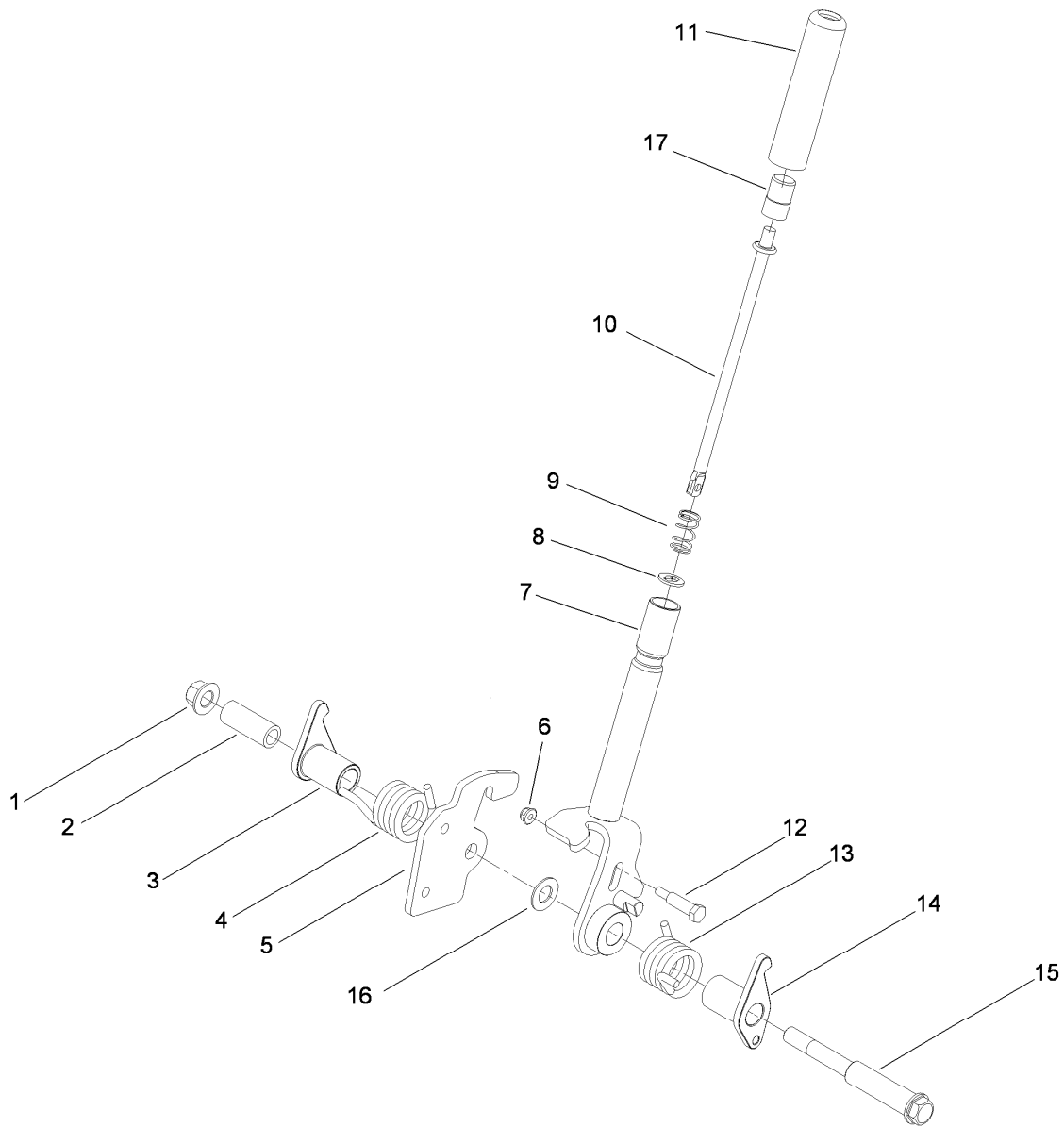
Ref.	Part Number	Qty.	Description
9	116-1369	1	Motor Seal Kit
10	116-1370	1	Tube Seal Kit
11	116-1371	1	Output Shaft Seal Kit
12	116-1372	1	Cup-Nose
13	3257-42	1	Key-Woodruff
15	116-3288	1	Housing-Hydro, RH
16	116-5468	1	Motor-Hydraulic, RH 280Cc
99	116-1373	1	Flow Test Kit ●

● Not illustrated



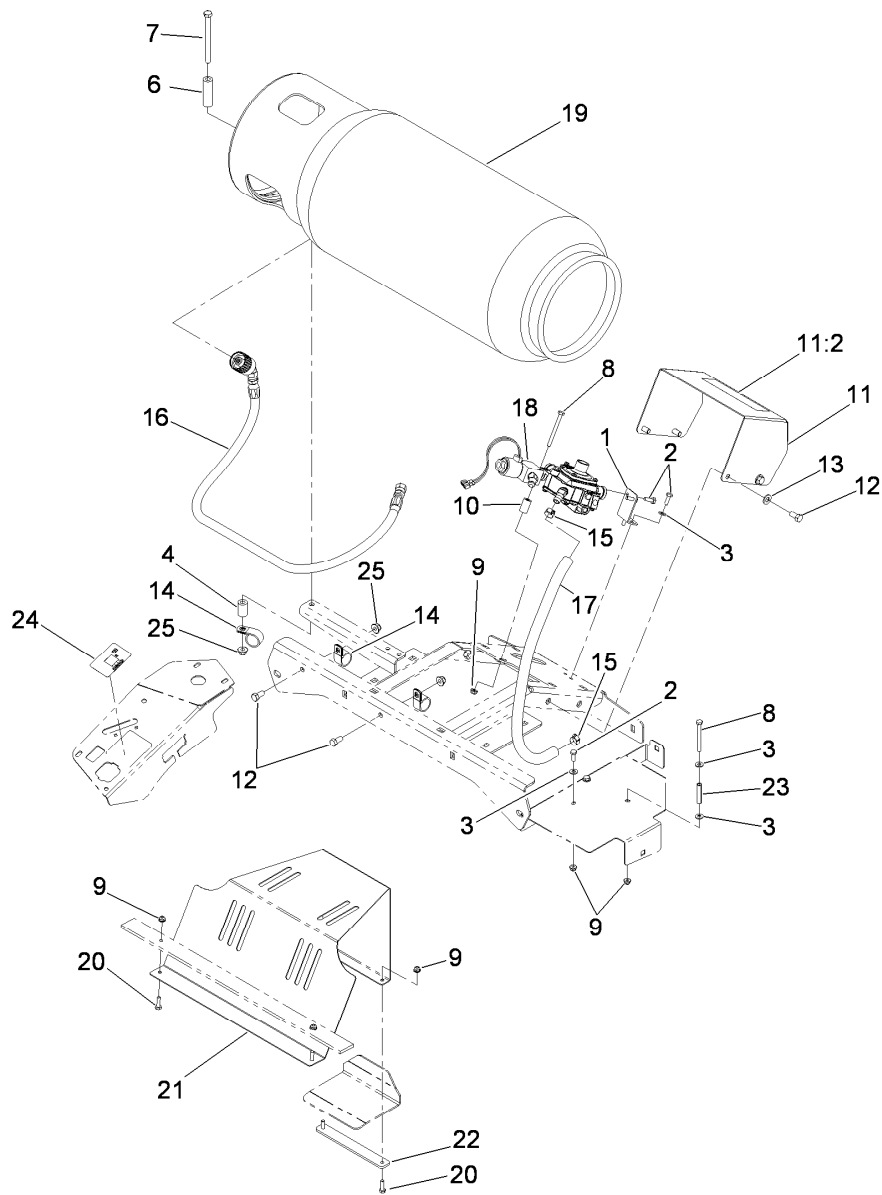
Rear Wheel and Park Brake Assembly

Ref.	Part Number	Qty.	Description	Ref.	Part Number	Qty.	Description
1	116-1878	1	Brake Handle ASM	10	109-0958	2	Plate-Mount, Brake
2	3230-2	2	Bolt-CARR	11	92-5727	4	Screw-Lock, Patch
3	104-8300	2	Nut-Flange, NI	12	112-8379	2	Swivel
4	60-1730	2	Pin-Clevis	13	104-7201	2	Nut-HF
5	3272-1	2	Pin-Cotter	17	3296-13	2	Nut-Lock, NI
6	116-1746	2	Wheel Hub ASM	18	116-2643	2	Decal-Wheel Nut Torque
6:2	116-1696	4	Stud-Wheel	19	115-3584	1	Cable
7	109-3158	2	Wheel And Tire ASM	20	115-3585	1	Cable
7:1	109-3156	1	Rim ASM	22	116-1399	2	Locknut
7:2	103-2744	1	Tire	24	3256-24	4	Washer-Flat
7:3	232-27	1	Stem-Valve	25	116-0940	1	Tie-Cable
8	242-50	8	Nut-Lug	26	3219-1	2	Nut-Hex
9	109-2889	2	Caliper-Brake				



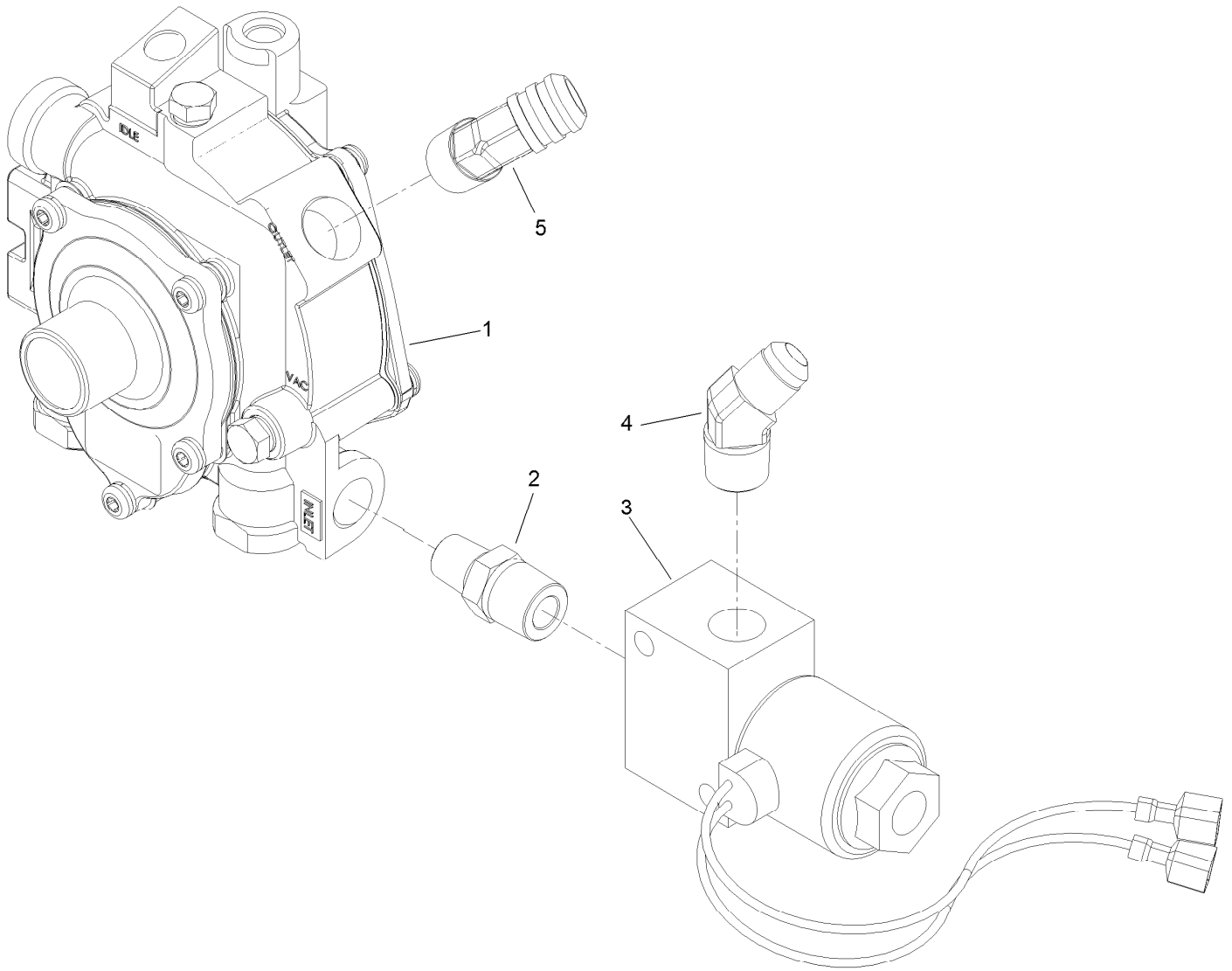
Brake Handle Assembly No. 116-1878

<i>Ref.</i>	<i>Part Number</i>	<i>Qty.</i>	<i>Description</i>	<i>Ref.</i>	<i>Part Number</i>	<i>Qty.</i>	<i>Description</i>
1	99-5107	1	Nut-Lock	10	115-3581	1	Rod-Release, Brake
2	117-0380	1	Spacer	11	115-3592	1	Grip
3	115-3580	1	Arm-Brake, LH	12	112-8387	1	Bolt-Shoulder
4	117-0376	1	Spring-Torsion, RH	13	117-0375	1	Spring-Torsion, LH
5	115-3574	1	Plate-Latch	14	115-3579	1	Arm-Brake, RH
6	104-7201	1	Nut-HF	15	117-0379	1	Bolt-Shoulder
7	116-1876-03	1	Brake Handle ASM	16	3256-26	1	Washer-Flat
8	114-1207	1	Washer-Special	17	115-2750	1	Knob
9	114-8187	1	Spring-Compression				



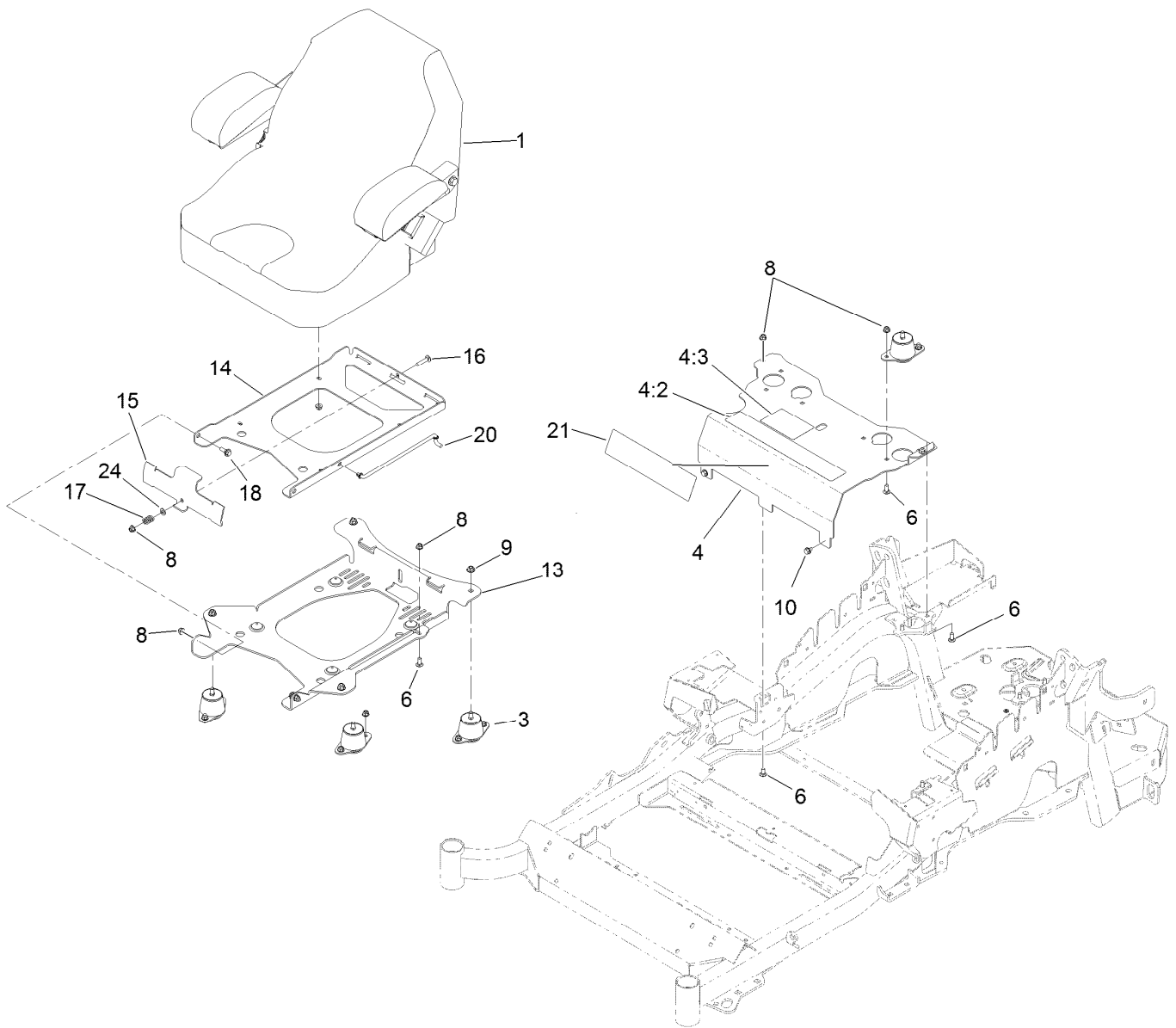
LPG Valve, Tank and Hose Assembly

<i>Ref.</i>	<i>Part Number</i>	<i>Qty.</i>	<i>Description</i>	<i>Ref.</i>	<i>Part Number</i>	<i>Qty.</i>	<i>Description</i>
1	116-2571-03	1	Bracket-Regulator	14	1-643312	3	Clip-Loom
2	321-4	6	Screw-HH	15	1-543892	2	Clamp-Hose
3	3256-22	6	Washer-Flat	16	116-2821	1	LPG Fuel Hose ASM
4	103-1361	1	Spacer-Hydro Control, LH	17	116-5637	1	Hose-LPG
6	1-633988	1	Spacer-Anchor, Clutch	18	116-5638	1	LPG Regulator Solenoid ASM
7	323-23	1	Screw-HH	19	116-1694	1	Tank-LPG
8	321-14	2	Screw-HH	20	321-5	4	Screw-HH
9	104-7201	10	Nut-HF	21	116-3358-03	1	Shield-Fan
10	94-7564	1	Spacer	22	116-3359-03	1	Strap
11	116-2818	1	Cover ASM	23	56-7740	1	Spacer-Split
11:2	109-9906	1	Decal-Tank Replacement	24	116-3446	1	Decal-Hour Meter
12	323-4	6	Screw-HH	25	104-8301	3	Nut-Flange, NI
13	3256-24	4	Washer-Flat				



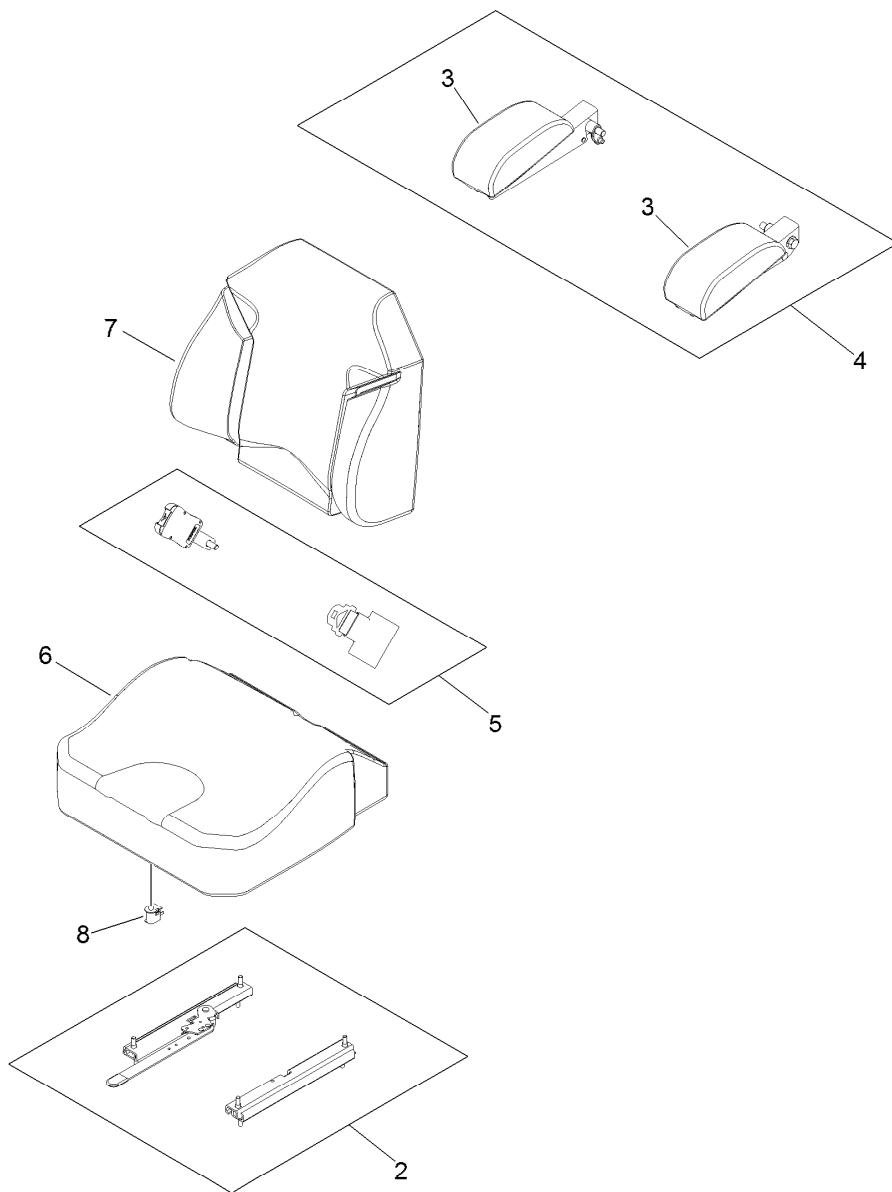
LPG Solenoid Regulator Assembly No. 116-5638

<i>Ref.</i>	<i>Part Number</i>	<i>Qty.</i>	<i>Description</i>
1	116-2567	1	Regulator-LPG, T60
2	93-1347	1	Coupling-Pipe, Male
3	116-2830	1	LPG Solenoid Valve ASM
4	116-2569	1	Elbow
5	116-5636	1	Elbow



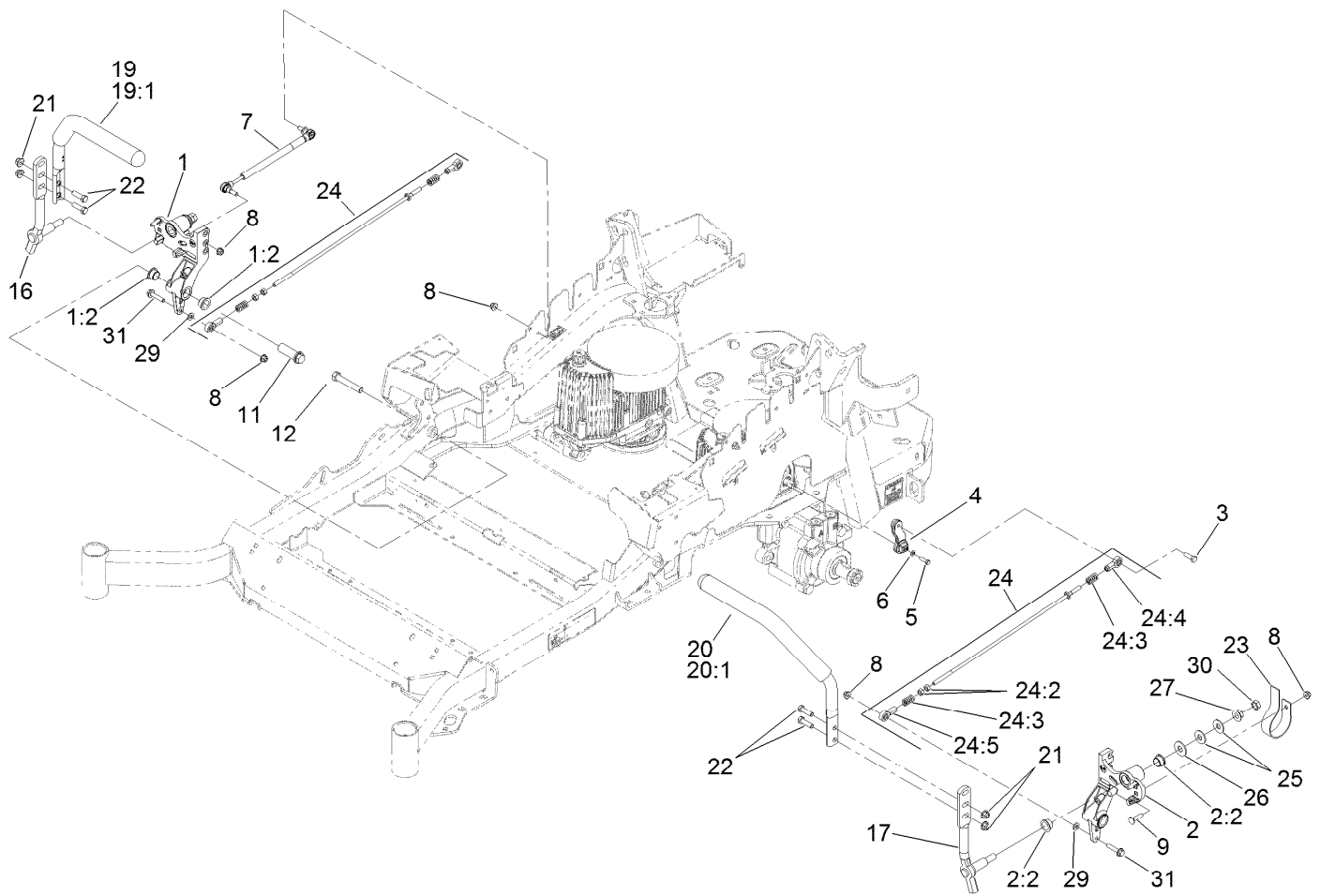
Seat Mounting Assembly

<i>Ref.</i>	<i>Part Number</i>	<i>Qty.</i>	<i>Description</i>	<i>Ref.</i>	<i>Part Number</i>	<i>Qty.</i>	<i>Description</i>
1	116-0035	1	Seat-Standard	13	116-0181-03	1	Plate-Support, Seat Tilt
3	109-9034	4	Isolator-Seat	14	116-0179-03	1	Plate-Frame, Seat Tilt
4	116-3327	1	Mount-Seat	15	109-9881-03	1	Plate-Latch, Seat
4:2	109-7069	1	Decal-Console	16	3230-4	1	Screw-CARR
4:3	116-0211	1	Decal-Service Aid	17	107-3017	1	Spring-Compression
6	3230-23	11	Screw-CARR	18	116-1297	2	Screw-Shoulder
8	104-8300	18	Nut-Flange, NI	20	116-0070	1	Rod-Prop
9	104-8301	4	Nut-Flange, NI	21	114-5878	1	Decal
10	9266934	2	Screw	24	3256-23	1	Washer-Flat



Seat Assembly No. 116-0035

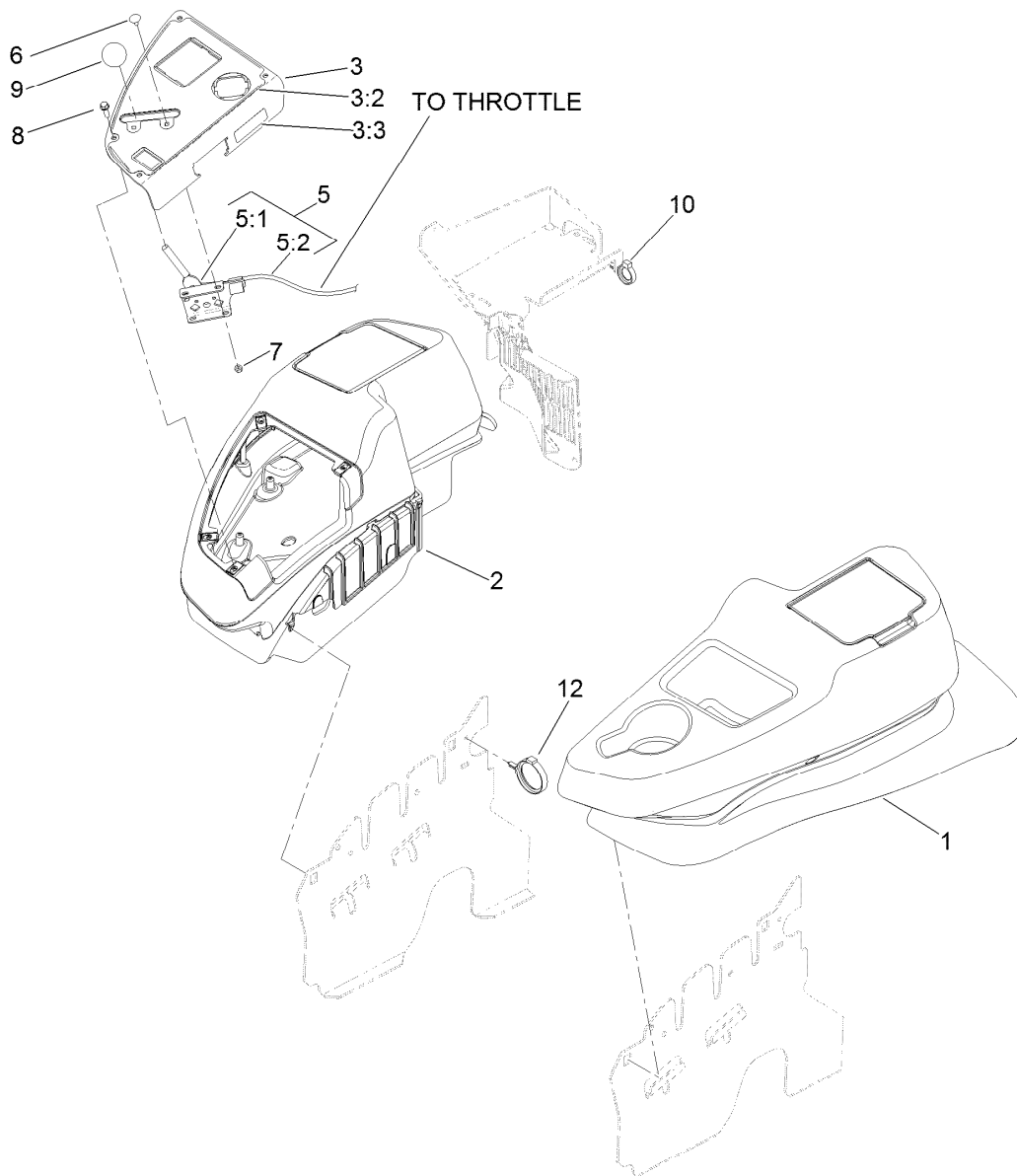
<i>Ref.</i>	<i>Part Number</i>	<i>Qty.</i>	<i>Description</i>
2	109-9801	1	Seat Track Set
3	109-9802	1	Arm Rest Pad Set
4	109-9803	1	Arm Rest Set
5	109-9805	1	Seat Belt Kit
6	109-9806	1	Cover-Cushion
7	109-9808	1	Cover-Back
8	82-2190	1	Switch-Bail



Motion Control Assembly

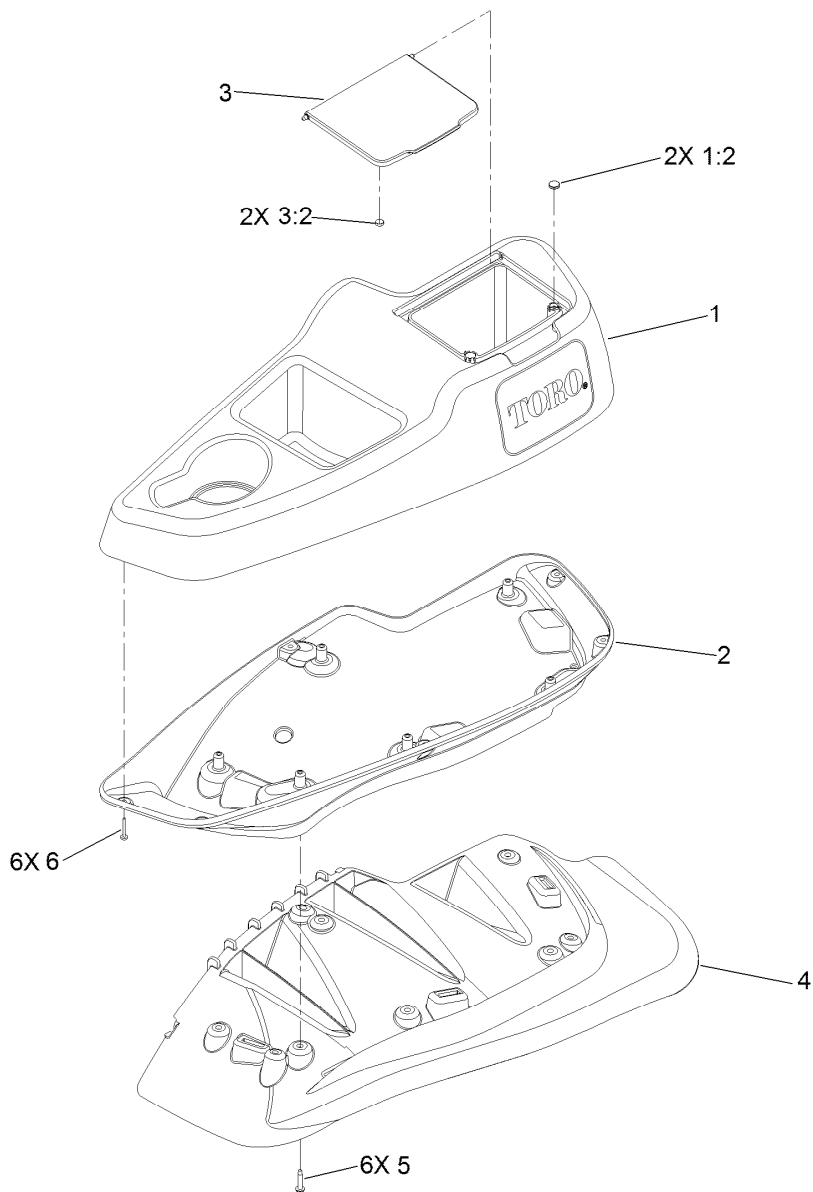
Ref.	Part Number	Qty.	Description	Ref.	Part Number	Qty.	Description
1	116-0880	1	RH Motion Control And Bushing ASM	19	109-6591	1	RH Steering Handle ASM
1:2	109-8054	4	Bushing-Flange	19:1	106-9987	1	Grip-Control, Motion
2	116-0881	1	LH Motion Control And Bushing ASM	20	109-6592	1	LH Steering Handle ASM
2:2	109-8054	4	Bushing-Flange	20:1	106-9987	1	Grip-Control, Motion
3	116-0648	2	Screw-HH, Thread Locking ●	21	104-8301	4	Nut-Flange, NI
4	109-4581	2	Arm-Control, Pump	22	323-7	4	Screw-HH
5	9080046	2	Screw-HH ●	23	109-5575	2	Spring-Leaf
6	1-303435	2	Washer-Spring	24	109-8106	2	Front Pump Linkage ASM
7	116-0027	2	Damper-Control, Motion	24:2	3219-2	2	Nut-Hex
8	104-8300	8	Nut-Flange, NI	24:3	1-323245	2	Spring-Compression
9	3230-2	2	Bolt-CARR	24:4	1-633152	1	Balljoint-LH
11	109-5891	2	Hub-Threaded	24:5	1-543017	1	Balljoint-RH
12	325-12	2	Screw-HH	25	109-9505	4	Washer-Spring
16	116-0039	1	Lever-Control Motion, RH	26	3256-6	2	Washer-Flat
17	116-0040	1	Lever-Control Motion, LH	27	32128-56	2	Nut-HF
				29	3256-23	2	Washer-Flat
				30	3218-5	2	Nut-Jam
				31	115-1794	2	Screw-HHF

● Use Pro-Lock, Nut Type (P/N 1-840022, .5ml tube) on threads.



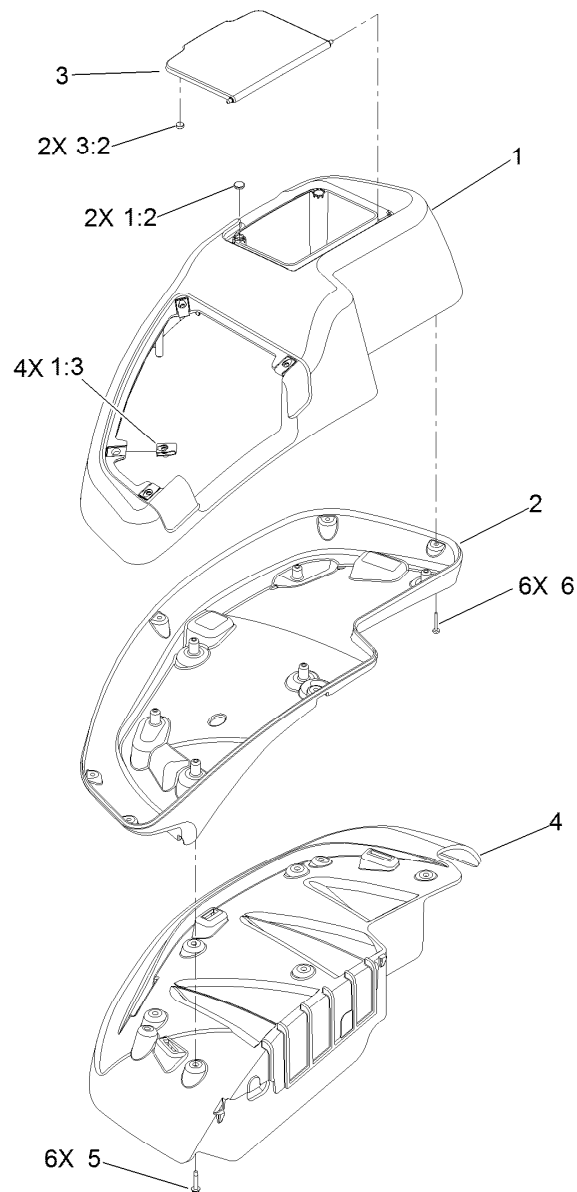
Fender, Console and Control Assembly

<i>Ref.</i>	<i>Part Number</i>	<i>Qty.</i>	<i>Description</i>
1	115-7401	1	LH Wide Fender/Console ASM
2	115-7400	1	RH Wide Fender/Console ASM
3	119-4234	1	Control Panel ASM
3:2	119-4233	1	Decal-Control Panel
3:3	114-4466	1	Decal-Fuses
5	110-5727	1	Throttle Control ASM
5:1	112-2334	1	Lever-Throttle
5:2	110-5728	1	Cable-Throttle
6	1-807513	2	Bolt-CARR
7	3296-2	2	Nut-Lock, NI
8	32105-15	4	Screw
9	1-603175	1	Knob-Ball
10	105-1853	1	Clamp-Hose
12	117-7817	1	Clamp-Harness



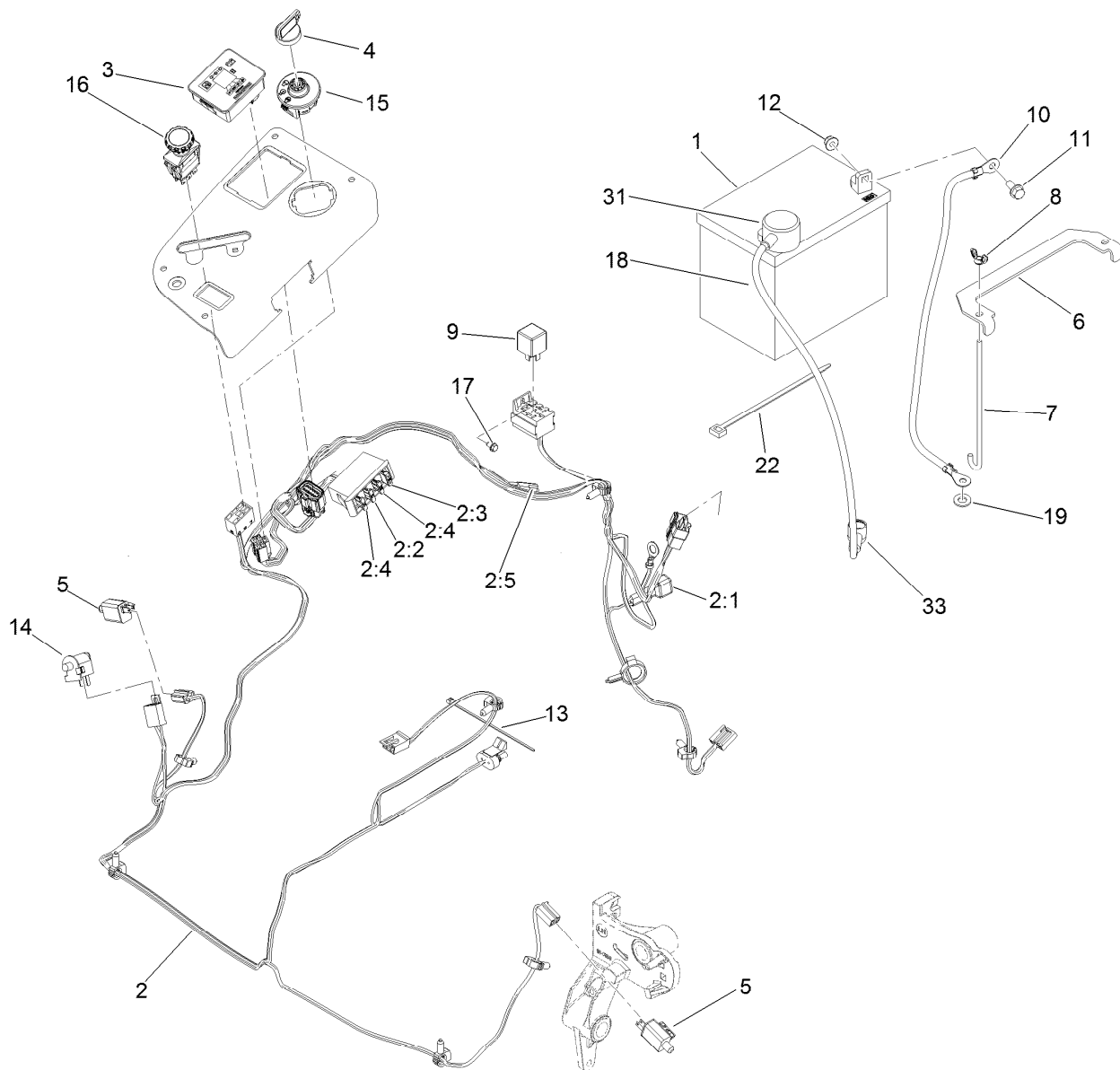
LH Console Assembly No. 115-7401

<i>Ref.</i>	<i>Part Number</i>	<i>Qty.</i>	<i>Description</i>
1	114-1539	1	LH Wide Console Top ASM
1:2	117-0883	2	Puck
2	115-3641	1	Console-Lower, LH Wide
3	114-1537	1	Wide Lid ASM
3:2	114-5896	2	Magnet
4	109-9085	1	Fender-Wide, LH
5	32144-89	6	Screw-Thread Forming
6	117-0347	6	Screw-Fillister Head



RH Console Assembly No. 115-7400

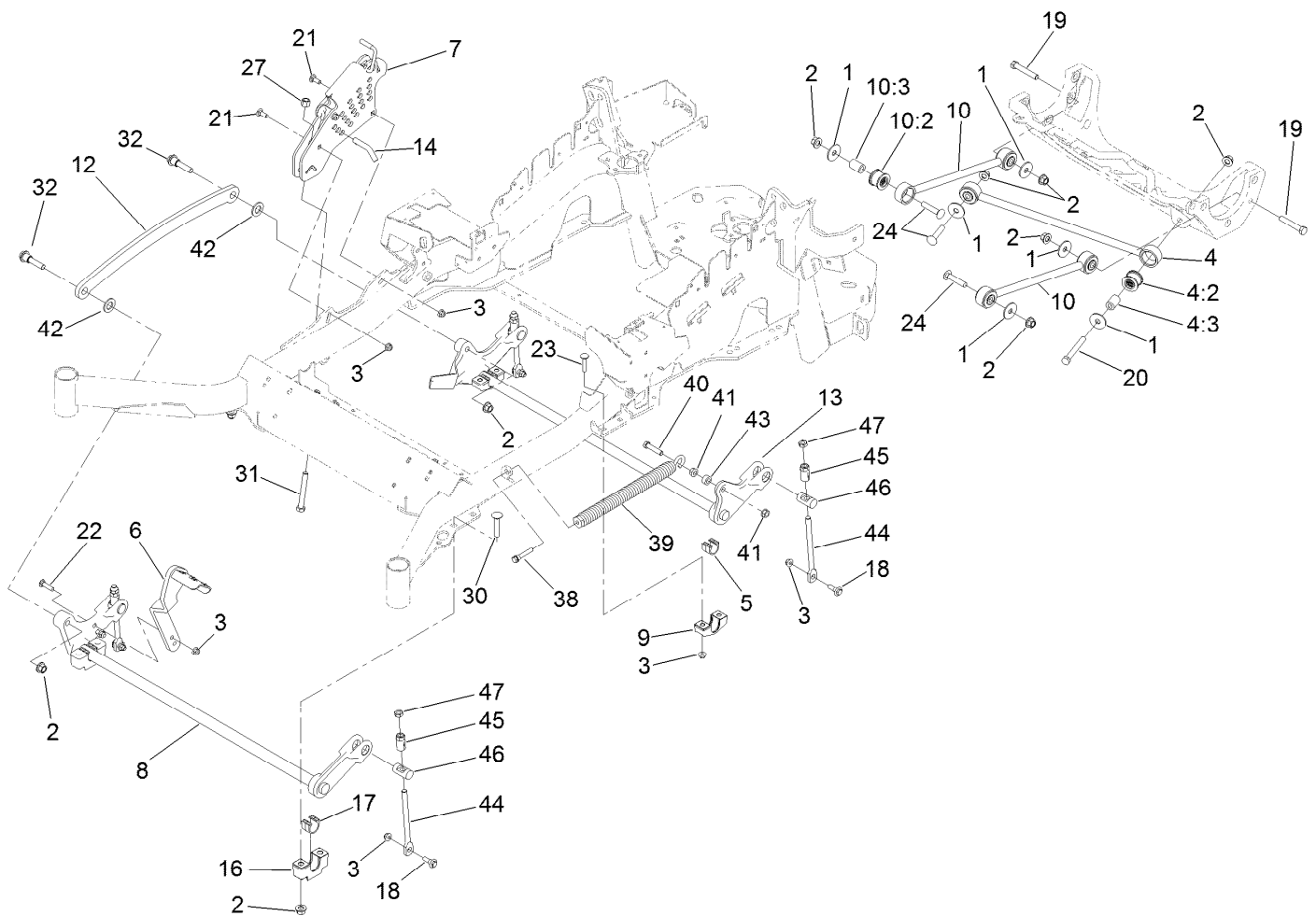
<i>Ref.</i>	<i>Part Number</i>	<i>Qty.</i>	<i>Description</i>
1	114-1538	1	RH Wide Top Console ASM
1:2	117-0883	2	Puck
1:3	107069	4	Clip
2	115-3643	1	Console-Lower, RH Wide
3	114-1537	1	Wide Lid ASM
3:2	114-5896	2	Magnet
4	109-9083	1	Fender-Wide, RH
5	32144-89	6	Screw-Thread Forming
6	117-0347	6	Screw-Fillister Head



Electrical System Assembly

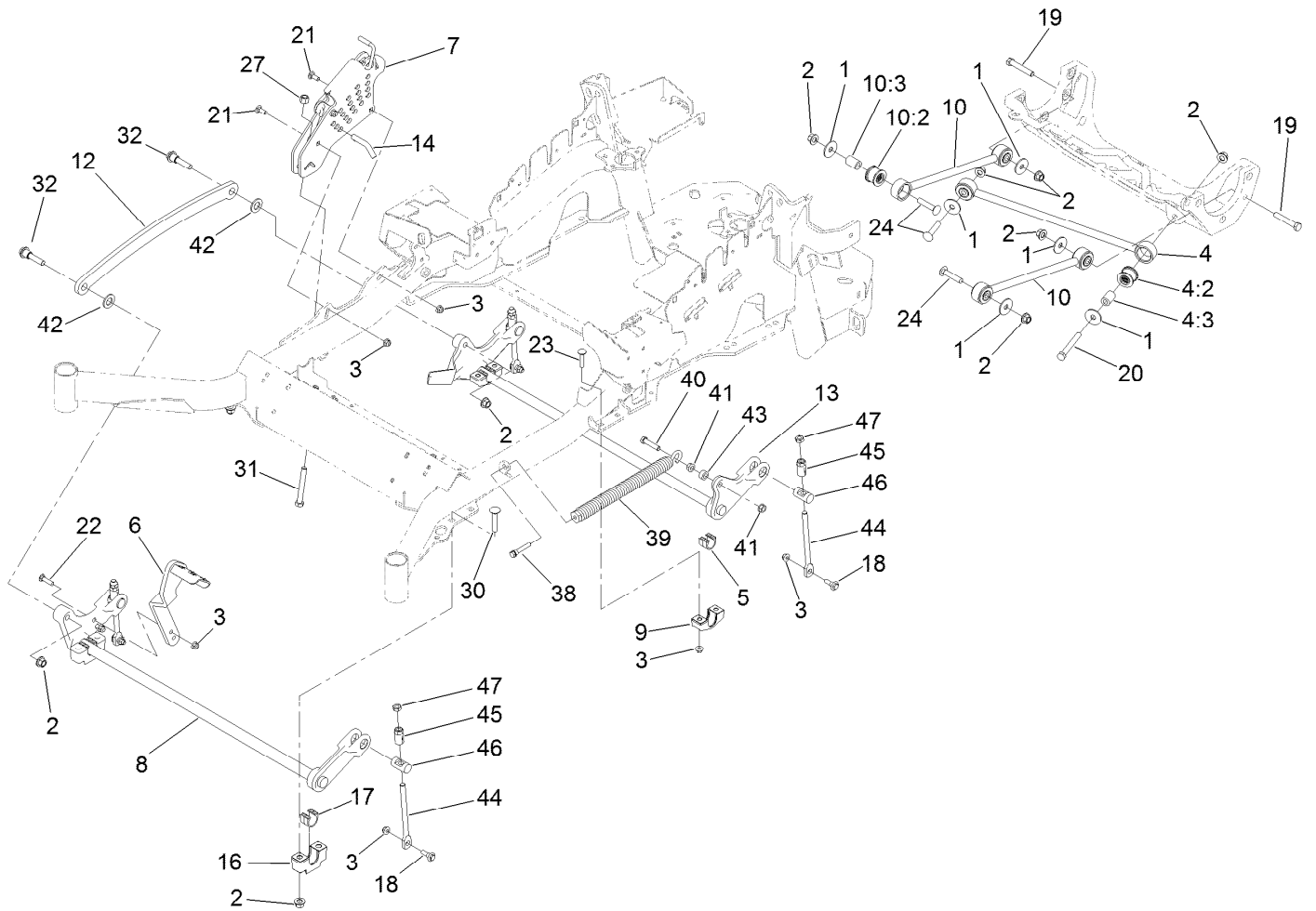
Ref.	Part Number	Qty.	Description	Ref.	Part Number	Qty.	Description
1	104-2491	1	Battery	10	114-1218	1	Cable-Battery, Negative
2	115-2796	1	Harness-Wire, Main ●	11	3234-5	2	Screw-HHF
2:1	103-3895	1	Diode-Tvs	12	104-8300	2	Nut-Flange, NI
2:2	218-578	1	Fuse-Blade, 10 Amp	13	1-303287	3	Tie-Cable
2:3	109355	1	Fuse-Blade, 15 Amp	14	82-2190	1	Switch-Bail
2:4	109102	2	Fuse-Blade, 25 Amp	15	117-2221	1	Switch-Ignition
2:5	116-0053	1	Cap-Plug	16	116-0124	1	Switch-PTO, 10A
3	117-3882	1	Fuel/Hour Meter ASM	17	104-2065	1	Screw-HWH
4	63-8360	1	Key-Ignition	18	115-3864	1	Cable-Battery, Positive
5	110-6765	2	Switch-Single Pole No	19	3256-24	1	Washer-Flat
6	116-0042-03	1	Strap-Tie Down, Battery	22	1-303335	1	Tie-Plastic
7	1-633651	2	Bolt-Holddown	31	109-2407	1	Insulator-Battery
8	1-543792	2	Wingnut	33	1-543393	1	Insulator-Solenoid
9	1-643275	1	Relay				

● Use dielectric grease on all unsealed connectors and terminals only. Do not apply in sealed connectors.



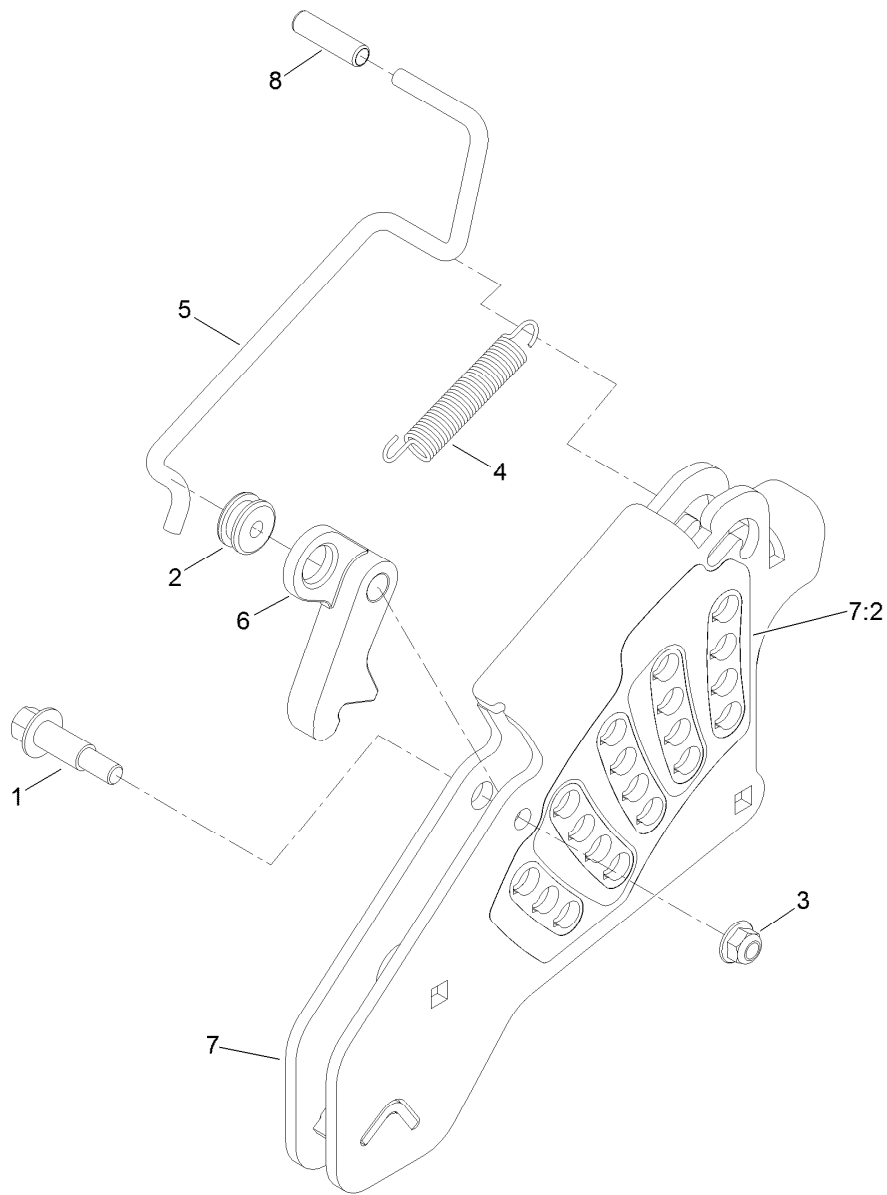
Deck Lift Assembly

Ref.	Part Number	Qty.	Description	Ref.	Part Number	Qty.	Description
1	86-1990	6	Washer	16	109-9409	2	Support-Cross Shaft, Front Bearing
2	99-5107	12	Nut-Lock	17	109-9410	2	Bearing-Cross Shaft, Front
3	104-8301	12	Nut-Flange, NI	18	109-9840	4	Screw-Shoulder, HHF
4	109-5013	1	Panhard Rod ASM	19	325-12	2	Screw-HH
4:2	109-5009	2	Bushing-Suspension, Rubber	20	325-17	1	Screw-HH
4:3	109-5010	2	Spacer	21	3231-2	2	Screw-CARR
5	109-7173	2	Bearing-Cross Shaft, Rear	22	3231-4	2	Screw-CARR
6	116-1919-01	1	Lever-Foot	23	3231-5	4	Screw-CARR
7	109-7438	1	HOC ASM	24	3233-34	3	Screw-CARR
8	116-1771-03	1	Deck Lift-Front	27	3296-23	1	Nut-Lock, NI
9	116-0818-03	2	Support-Cross Shaft, Rear Bearing	30	116-1700	4	Bolt-CARR
10	109-7952	2	Deck Strut ASM	31	116-0559	1	Bolt-TAP
10:2	109-5009	2	Bushing-Suspension, Rubber	32	116-2022	2	Screw-HHF, Shoulder
10:3	109-5010	2	Spacer	38	92-7674	1	Bolt-Shoulder
12	116-0797-03	1	Link-Lift, Deck	39	116-0000	1	Extension Spring ASM
13	116-2645-03	1	Lift-Deck, Rear	40	109-9065	1	Screw-HH
14	109-8757	1	Pin-HOC	41	32128-37	2	Nut-HF
				42	3256-28	2	Washer-Flat
				43	116-2695	1	Spacer
				44	109-8007	4	Link-Adjuster, Deck Lift



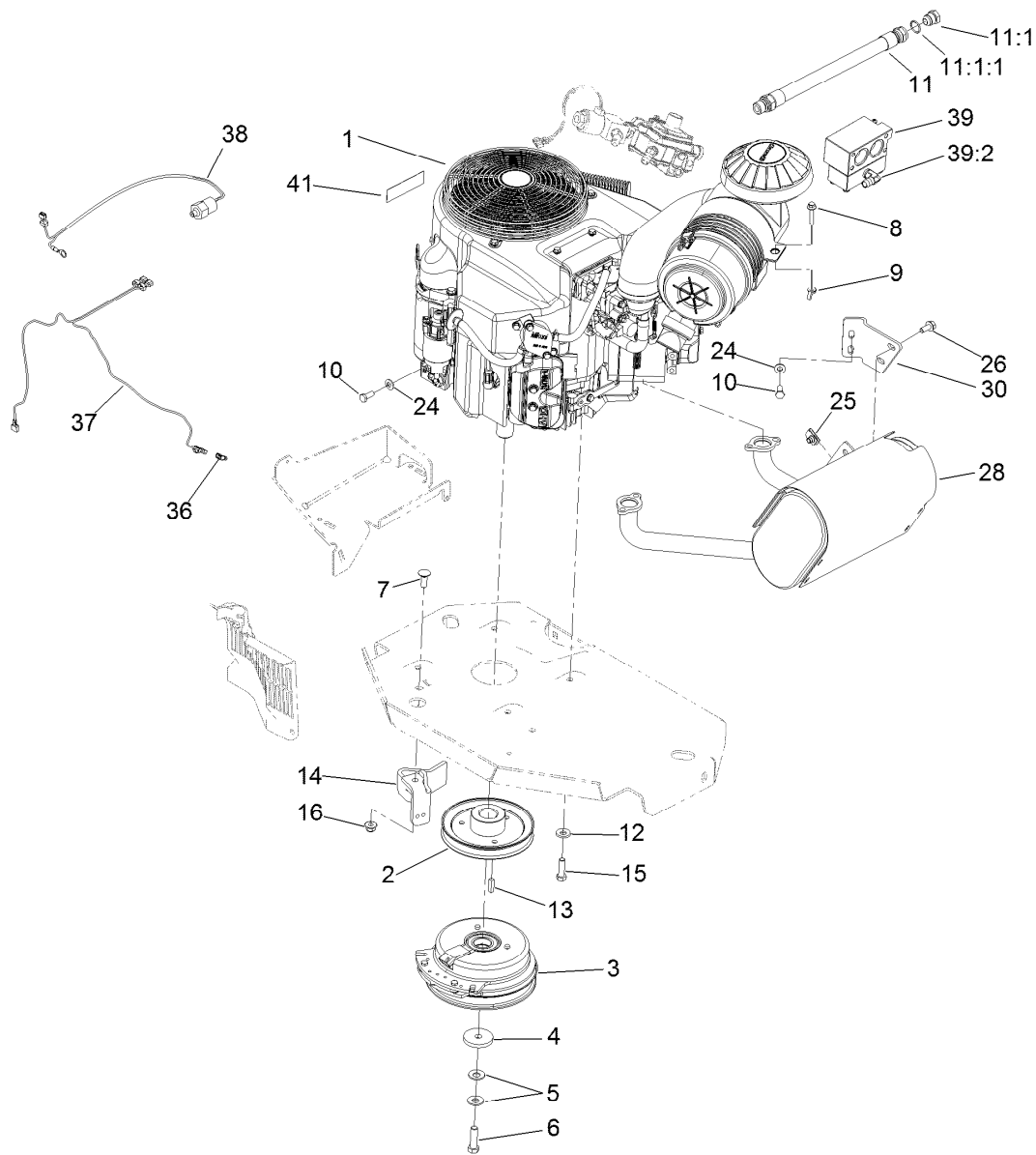
Deck Lift Assembly (continued)

<i>Ref.</i>	<i>Part Number</i>	<i>Qty.</i>	<i>Description</i>	<i>Ref.</i>	<i>Part Number</i>	<i>Qty.</i>	<i>Description</i>
45	109-7840	4	Adjuster-Lift, Deck	46	109-8353	4	Trunnion
				47	3218-5	4	Nut-Jam



Height-of-Cut Assembly No. 109-7438

Ref.	Part Number	Qty.	Description
1	62-1330	1	Bolt-Shoulder
2	109-7130	1	Grommet
3	104-8301	1	Nut-Flange, NI
4	109-7124	1	Spring-Extension
5	109-7128	1	Rod-Lock, Transport
6	116-0118	1	Pawl-Transport, HOC
7	109-7335	1	HOC Plate ASM
7:2	116-0752	1	Decal-HOC
8	109-8250	1	Grip-Lever



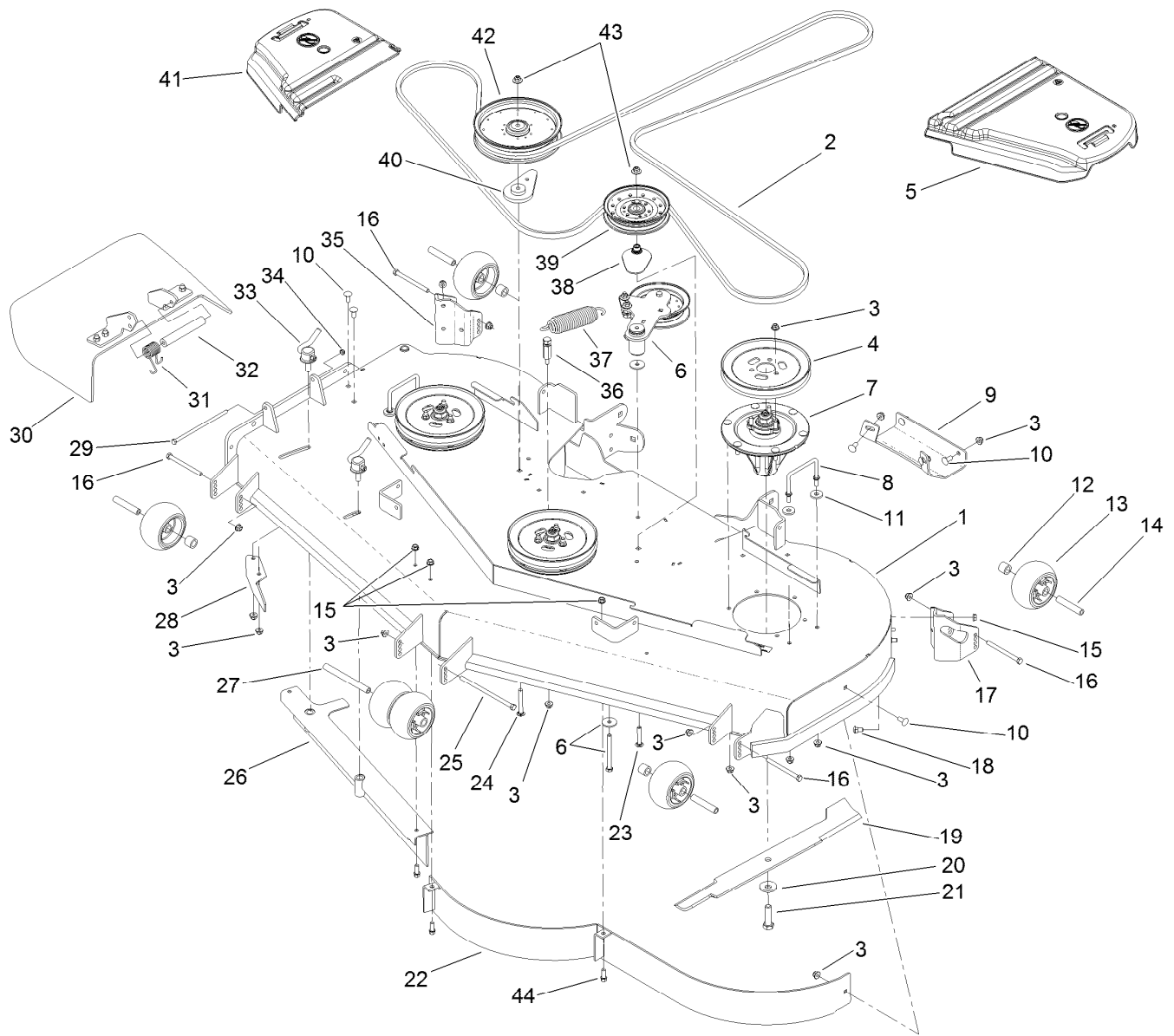
Engine, Clutch and Muffler Assembly

Ref.	Part Number	Qty.	Description	Ref.	Part Number	Qty.	Description
1		1	Engine-Kawasaki, Fx801V-S04-R ●■	13	1-807259	1	Key
2	109-9905	1	Sheave	14	116-2612-01	1	Clutch-Anchor
3	116-1620	1	Clutch Kit	15	323-7	4	Screw-HH
4	109-6919	1	Washer-Clutch	16	104-8301	1	Nut-Flange, NI
5	1-603610	2	Washer-Spring	24	1-303334	3	Washer-Spring
6	109-9761	1	Screw-HH, W/Loctite ▲	25	94-2413	2	U-Nut
7	3231-22	1	Screw-CARR	26	3234-5	2	Screw-HHF
8	3234-21	1	Screw-HHF	28	116-1712	1	Muffler
9	1-803038	1	Nut, Wing Type A	30	116-0203	1	Bracket-Muffler
10	33114-020	3	Screw-HH	36	32170-079	1	Terminal-Tab
11	116-4924	1	Engine Oil Drain Hose ASM	37	116-2857	1	Wire Harness
11:1	353-508	1	Plug-HH	38	116-2842	1	Oil Pressure Switch ASM
11:1:1	237-42	1	O-Ring	39	116-5639	1	LPG Mixer ASM
12	98-5975	4	Washer-Belleville	39:2	116-5635	1	Elbow
				41	116-2852	1	Decal-LPG Engine

● Not serviced separately

▲ Use Pro-Lock, Nut Type (P/N 1-840022, .5ml tube) on threads.

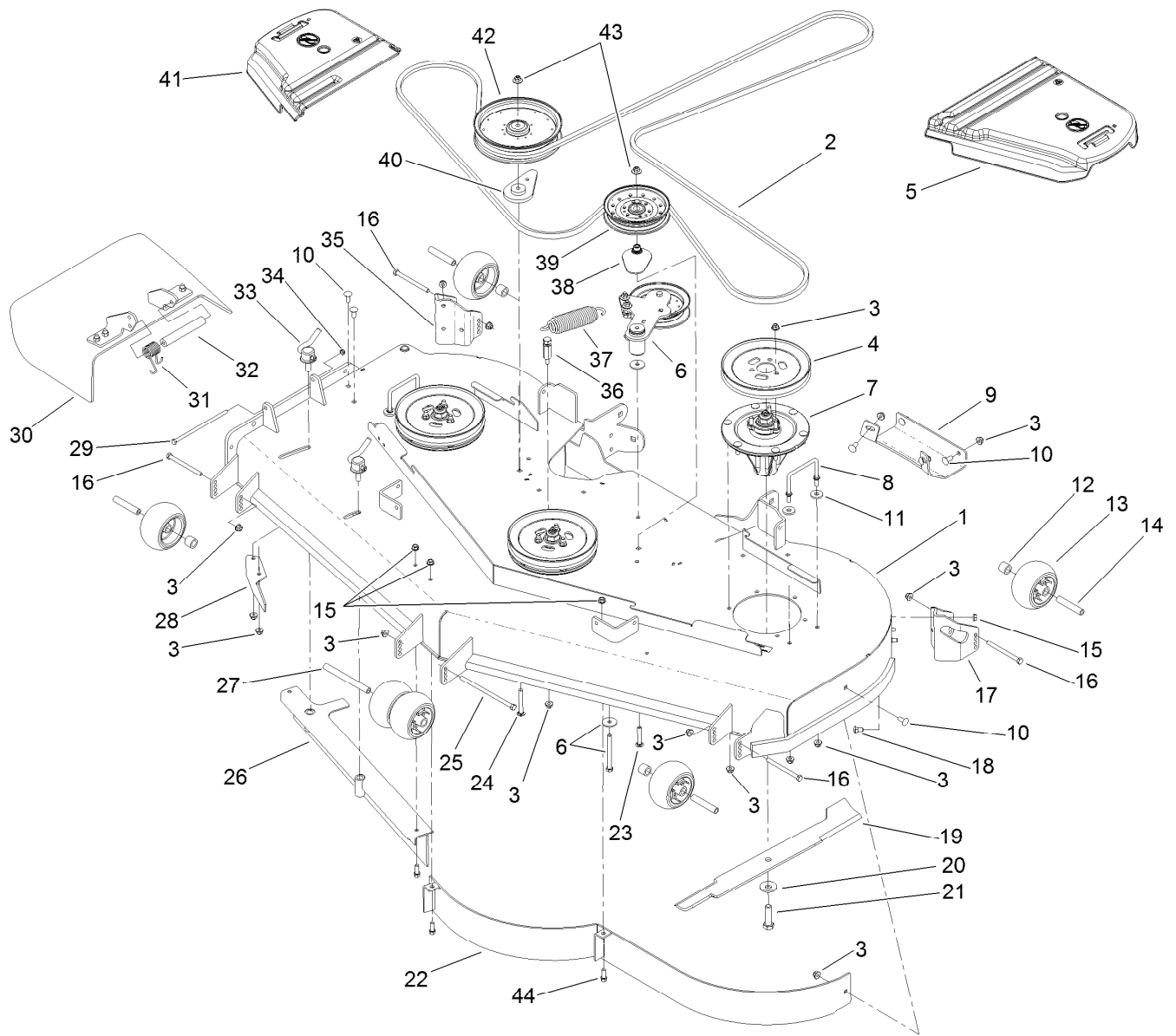
■ Obtain parts from www.kawpowerpc.com



Deck Assembly

Ref.	Part Number	Qty.	Description	Ref.	Part Number	Qty.	Description
1	112-4195	1	Deck Decal ASM	19	105-7784-03	3	Blade-Hi Flow, 24.5 Inch
2	114-5859	1	Belt-V	20	103-0865	3	Washer-Blade Bolt, Heavy
3	104-8301	44	Nut-Flange, NI	21	51-4060	3	Screw-Blade
4	105-7733	3	Pulley	22	114-5843-01	1	Baffle ASM
5	109-6938	1	Cover-Belt, LH	23	3231-40	1	Bolt-CARR, Short Neck
6		1	Idler Arm ASM ●	24	3231-42	1	Screw-CARR
7	119-8500	3	Spindle ASM	25	108-5388	1	Screw-HH
8	109-6982	2	Wireform-Cover	26	105-7669-01	1	Baffle ASM
9	112-4230-01	1	Plate-Skid	27	98-5967	1	Spacer-Wheel
10	3231-27	7	Screw-CARR	28	106-3216-01	1	Baffle-Discharge
11	1-373034	4	Washer	29	322-50	1	Screw-HH
12	98-7913	4	Tube-Spacer	30	108-2792	1	Rubber Deflector ASM
13	1-603299	6	Roller-Scalp, Anti	31	108-4052	1	Spring-Torsion
14	98-7912	4	Tube-Spacer	32	105-4622	1	Spacer
15	3290-357	9	Nut-HHF, Whiz	33	107-1664	2	Lever ASM
16	323-23	4	Screw-HH	34	3296-47	1	Nut-Lock, NI
17	106-7354-01	1	Mount-Wheel, LH	35	106-7355-01	1	Mount-Wheel, RH
18	3231-1	6	Screw-CARR	36	114-5867	1	Anchor-Spring, Tall

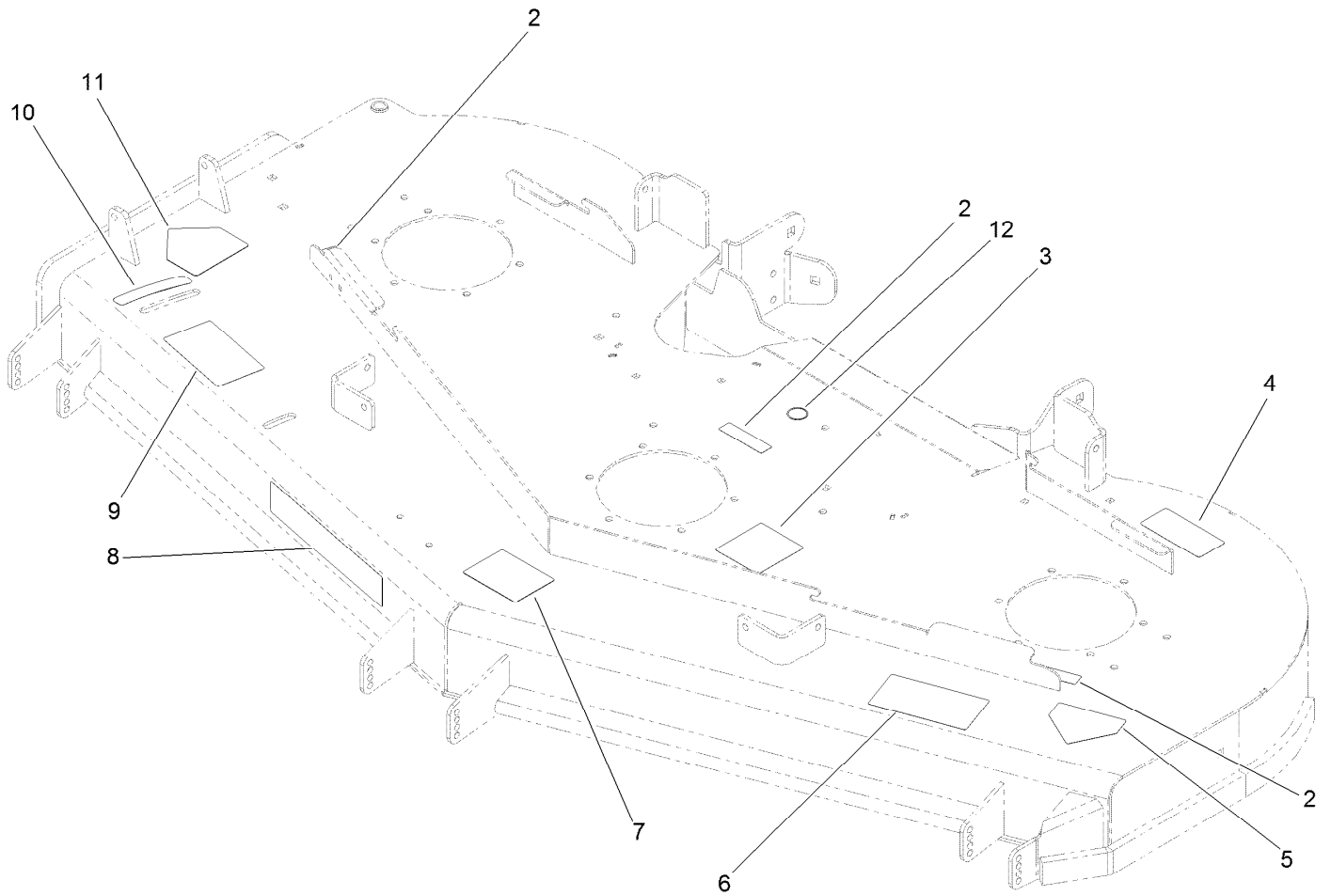
● Not serviced separately



Deck Assembly (continued)

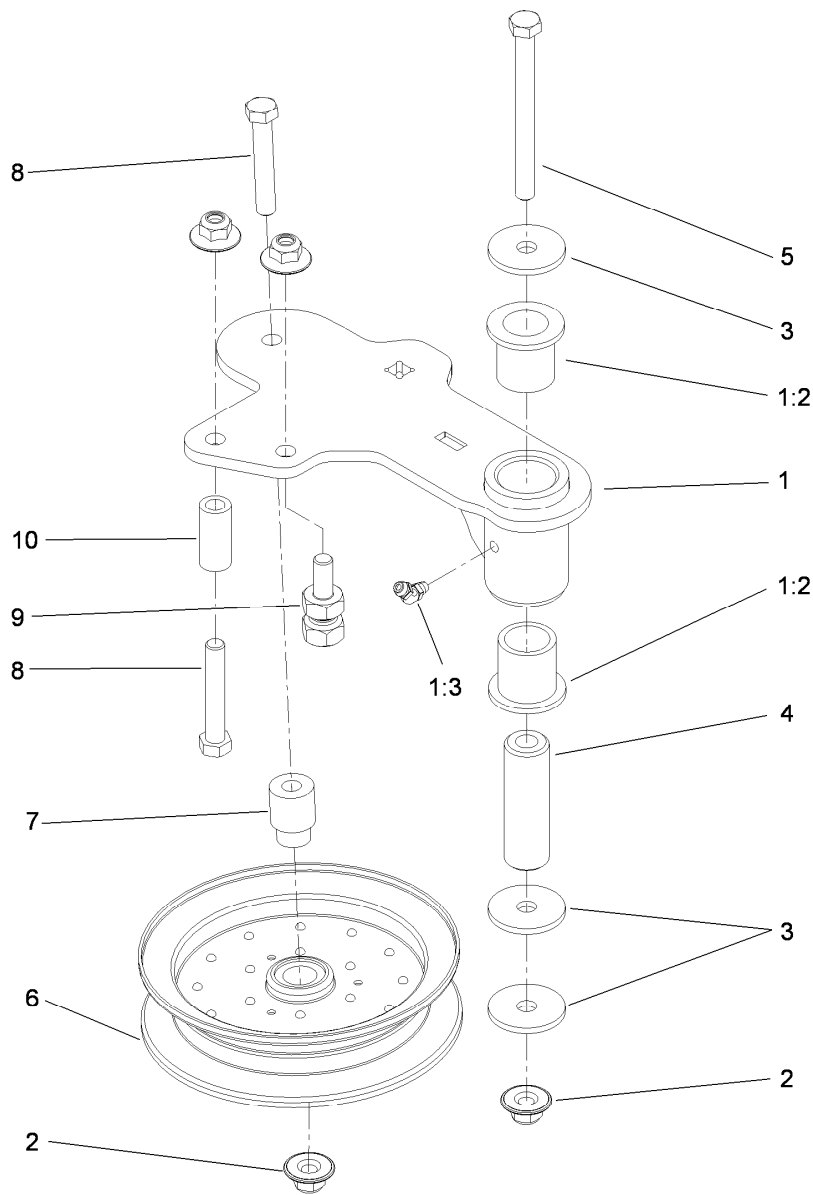
<i>Ref.</i>	<i>Part Number</i>	<i>Qty.</i>	<i>Description</i>	<i>Ref.</i>	<i>Part Number</i>	<i>Qty.</i>	<i>Description</i>
37	116-0133	1	Extension-Spring	41	116-0094	1	Cover-Belt, RH
38	109-2872	1	Spacer-Pulley	42	109-8590	1	Pulley-Idler
39	114-5895	1	Pulley-Idler, Flat	43	109-6658	2	Nut-Flange, NI
40	109-9416	1	Spacer-Idler	44	92-1624	3	Screw-HWH

● Not serviced separately



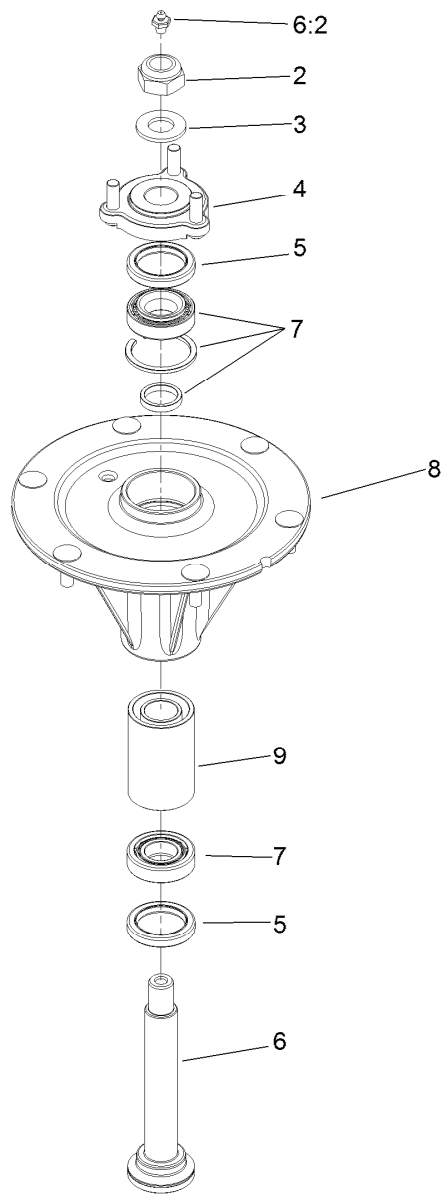
Deck Decal Assembly No. 112-4195

<i>Ref.</i>	<i>Part Number</i>	<i>Qty.</i>	<i>Description</i>
2	98-5954	3	Decal-Cover, Missing
3	115-7445	1	Decal-Routing, Deck Belt
4	68-8340	1	Decal-Torque
5	1-403005	1	Decal-Danger
6	66-1340	1	Decal-Danger, Thrown Object
7	105-7798	1	Decal-Scalp, Anti
8	107-1620	1	Decal
9	110-2068	1	Decal-Adjustment, Baffle
10	110-2067	1	Decal-Setting, Baffle
11	54-9220	1	Decal-Danger
12	58-6520	1	Decal-Grease



Idler Assembly

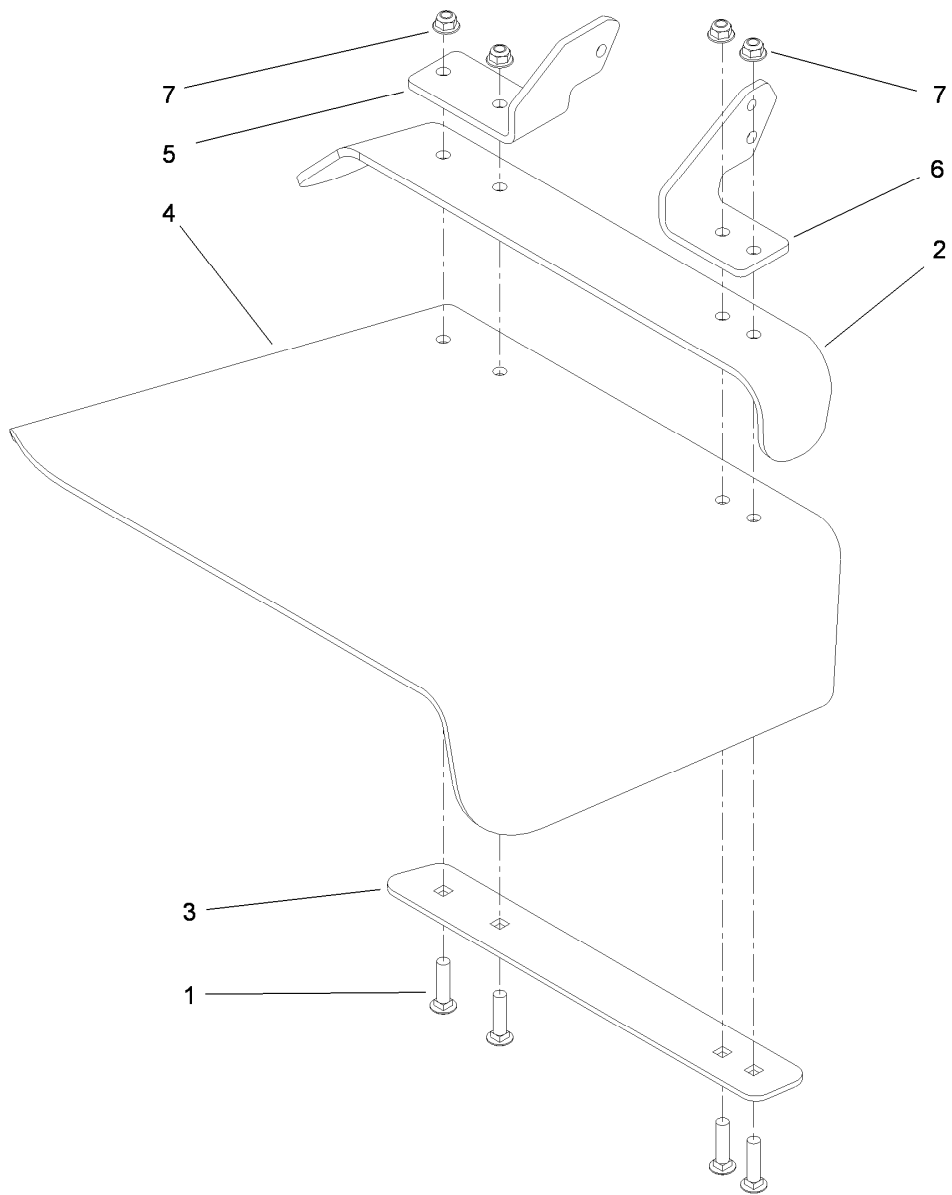
<i>Ref.</i>	<i>Part Number</i>	<i>Qty.</i>	<i>Description</i>
1	114-5870	1	Idler Arm ASM
1:2	1-303514	2	Bearing-Flanged
1:3	1481	1	Fitting-Grease
2	109-6658	4	Nut-Flange, NI
3	1-213069	3	Washer
4	114-5848	1	Spacer-Plain
5	98-5961	1	Screw-HH
6	103-8743	1	Pulley-Idler, Flanged
7	112-4212	1	Mount-Pulley
8	323-11	2	Screw-HH
9	114-5866	1	Anchor-Spring, Short
10	104-0151	1	Spacer



Spindle Assembly No. 119-8500

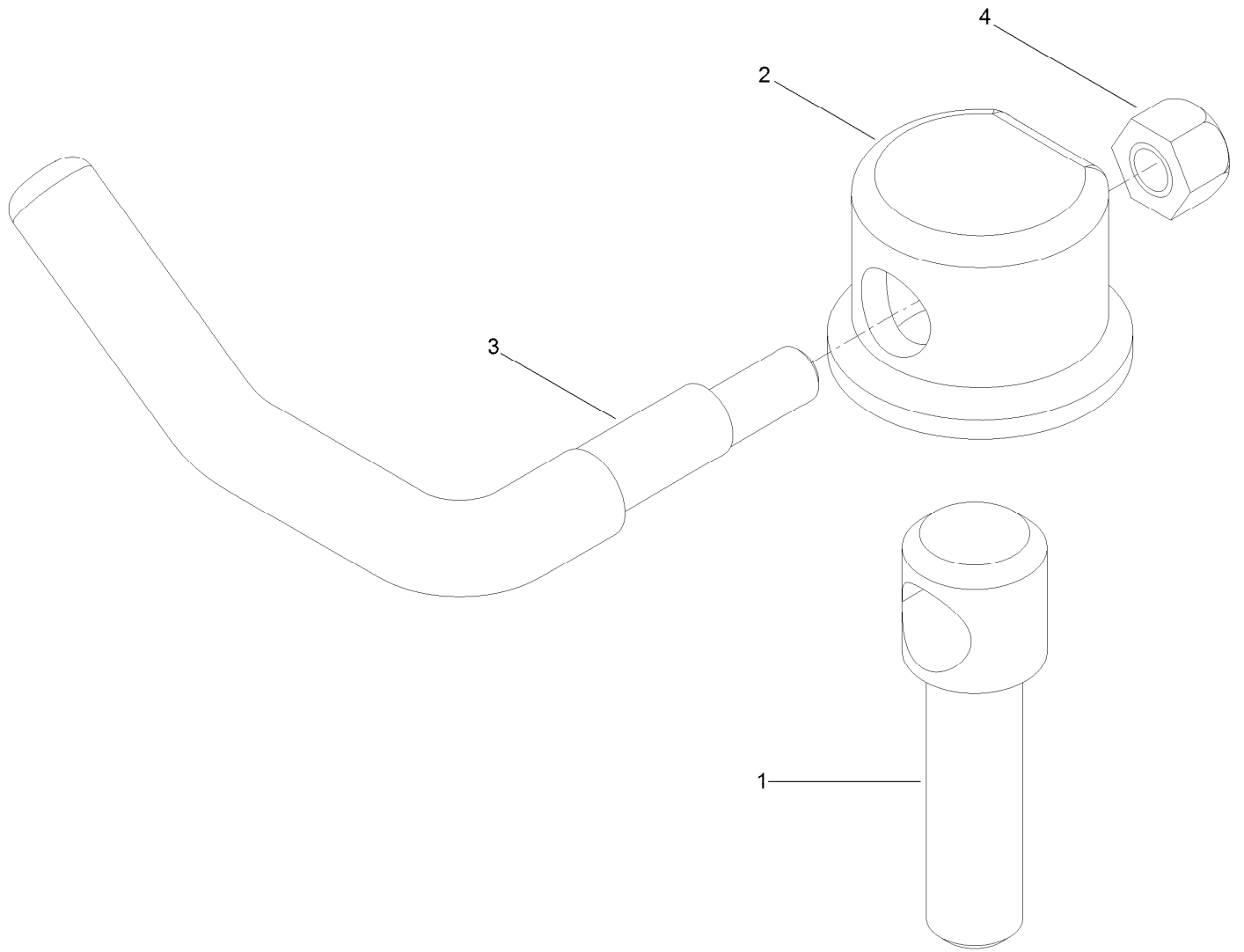
<i>Ref.</i>	<i>Part Number</i>	<i>Qty.</i>	<i>Description</i>
2	3296-67	1	Nut-Lock, NI
3	92-5836	1	Washer
4	117-6172	1	Spindle Hub ASM
5	253-133	2	Seal-Oil
6	119-8527	1	Spindle Shaft And Zerk ASM
6:2	302-2	1	Fitting-Grease
7	119-8531	1	Tapered Roller Bearing Set
8		1	Housing-Spindle ●
9	117-6185	1	Spacer Set

● Not serviced separately



Rubber Deflector Assembly No. 108-2792

<i>Ref.</i>	<i>Part Number</i>	<i>Qty.</i>	<i>Description</i>
1	3231-4	4	Screw-CARR
2	106-3246-01	1	Deflector
3	106-3248-03	1	Strap-Discharge
4	108-5029	1	Deflector-Rubber
5	108-4059-01	1	Plate-Hinge, Rear
6	106-3253-01	1	Plate-Hinge, Front
7	104-8301	4	Nut-Flange, NI



Lever Assembly No. 107-1664

<i>Ref.</i>	<i>Part Number</i>	<i>Qty.</i>	<i>Description</i>
1	106-3239	1	Screw-Lock
2	107-1644	1	Cap-Lock
3	106-3241	1	Lever-Lock
4	3296-29	1	Nut-Lock, NI

Attachments and Accessories

For 74977 Z Master G3 Riding Mower with 72in TURBO FORCE Side Discharge Mower

Product Name	Model/Part
Blade-Mid Flow, 24.5in	105-7711-03
Blade-Lo Flow, 24.5in	105-7712-03
Blade-Atomic, 24.5in	105-7719-03
Blade-Recycler, 24.5in	105-7778-03
Blade-Hi Flow, 24.5in.....	105-7784-03
6 Pack Blade, 24.5in Hi-Flow	108-1120
6 Pack Blade, 24.5in Atomic	108-1126
Hitch Kit	109-9487
6 Pack-Blade, 24.5in Mid-Flow	110-0404
6 Pack-Blade, 24.5in Lo-Flow	110-0410
6 Pack-Blade, 24.5in Recycler.....	110-0411
Hypr-Oil 500 (quart).....	114-4713
Hypr-Oil 500 (gallon).....	114-4714
Hypr-Oil 500-5 (5 gallon).....	114-4715
Bimini Folding Shade Assembly	115-4510
Recycler Kit	115-7469
Roller Striper Kit.....	115-7480
Light Kit.....	116-1154
Z Stand Kit.....	117-0354
Operator-Controlled Discharge Chute Kit	117-3600
Deluxe Suspension Seat Kit	117-6174
Toro Deluxe Rider Cover.....	490-7319
Spark Arrestor Screen	75-6880
Filter Minder Gauge	99-4664
Trash Holder Kit.....	TC26

Notes:



Count on it.