



Motion Control Link Kit

XLS Lawn Tractor

Model No. 121-4040

Installation Instructions

Installation

Loose Parts

Use the chart below to verify that all parts have been shipped.

Description	Qty.	Use
Traction bracket link arm	1	Install motion control link kit
Front motion control link arm	1	
Rear motion control link arm	1	
Flat washer	2	
Hairpin cotter	2	
Shoulder bolt	1	
Pivot washer	1	
Locknut (5/16 inch)	1	



1. Stop the engine, wait for all moving parts to stop, and remove the ignition key.
2. Remove the exiting motion control link arm (Figure 1). Save the existing clevis pin, hairpin cotter and E-clip.

Note: E-clip is spring loaded.

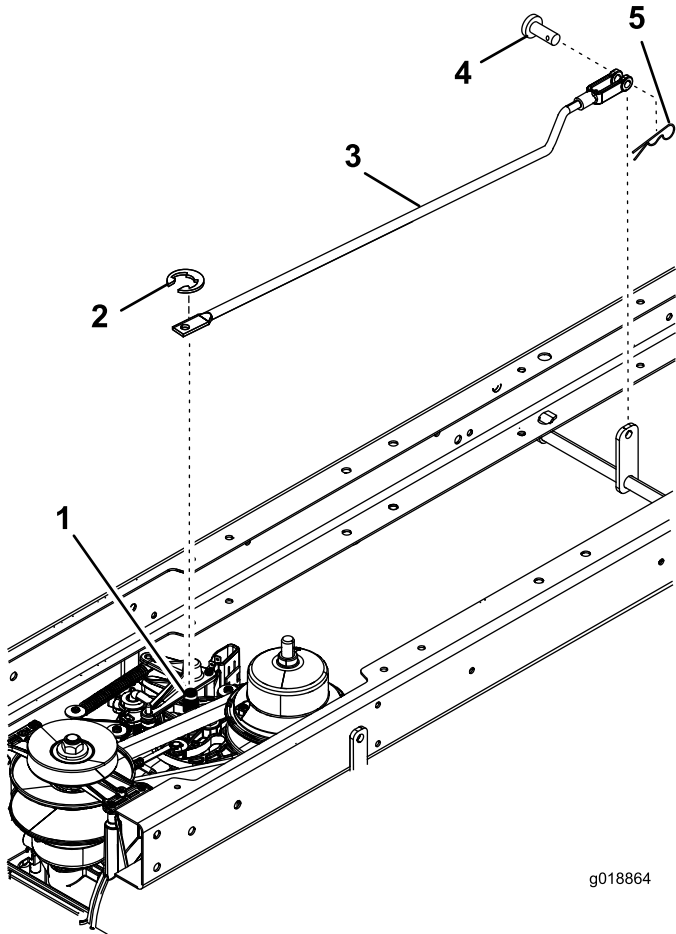


Figure 1

- | | |
|-------------------------------------|----------------------------|
| 1. Post | 4. Existing clevis pin |
| 2. Existing E-clip | 5. Existing hairpin cotter |
| 3. Existing motion control link arm | |

3. Install the traction bracket link arm using the locknut (5/16 inch), pivot washer and shoulder bolt (Figure 2).

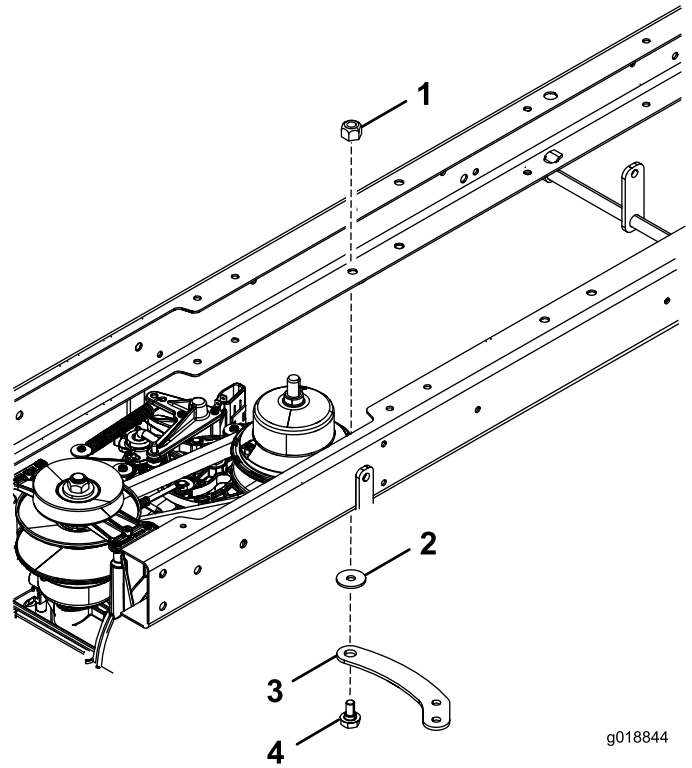


Figure 2

- | | |
|------------------------|------------------------------|
| 1. Locknut (5/16 inch) | 3. Traction bracket link arm |
| 2. Pivot washer | 4. Shoulder bolt |

- Install the rear motion control link arm using the flat washer and hairpin cotter (Figure 3) supplied with this kit and the existing E-clip from step 2.

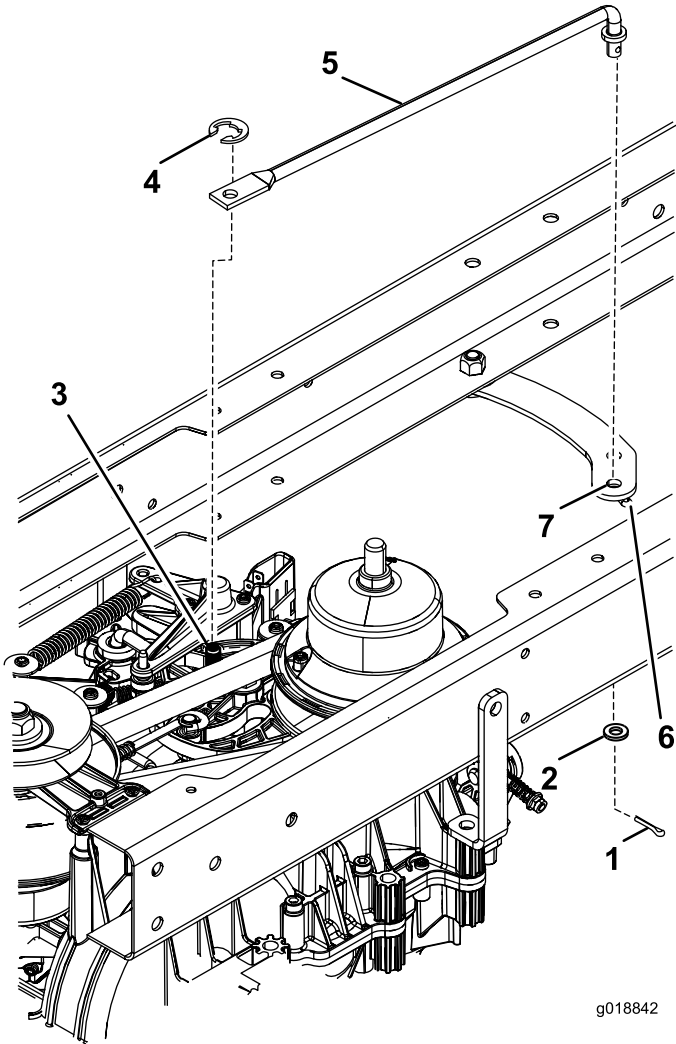


Figure 3

- | | |
|-------------------|---------------------------------|
| 1. Hairpin cotter | 5. Rear motion control link arm |
| 2. Flat washer | 6. Traction bracket link arm |
| 3. Post | 7. Hole nearest outer edge |
| 4. E-clip | |

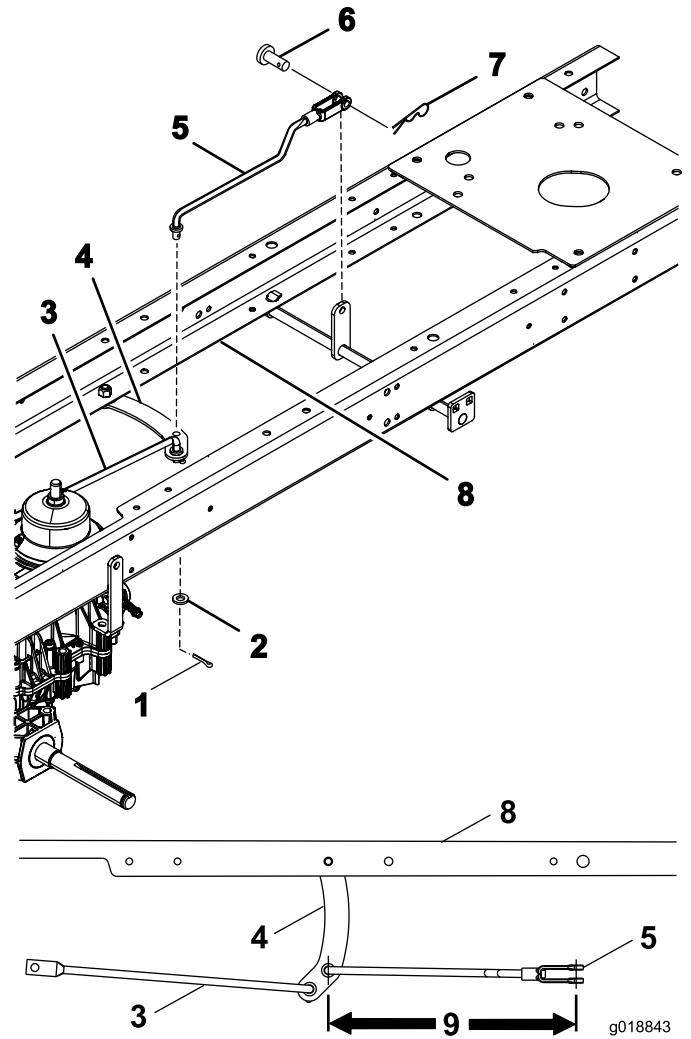


Figure 4

- | | |
|----------------------------------|--|
| 1. Hairpin cotter | 6. Existing clevis pin |
| 2. Flat washer | 7. Existing hairpin cotter |
| 3. Rear motion control link arm | 8. Frame |
| 4. Traction bracket link arm | 9. 10.59 inches to 10.64 inches (26.91 cm to 27.04 cm) |
| 5. Front motion control link arm | |

- Install the front motion control link arm to the traction bracket link arm using the flat washer and hairpin cotter (Figure 4).
- Install the other end of the front motion control link arm and adjust the yoke as noted in Figure 4.

Note: Use the existing clevis pin and the hairpin cotter from step 2.

Notes: