



**Count on it.**

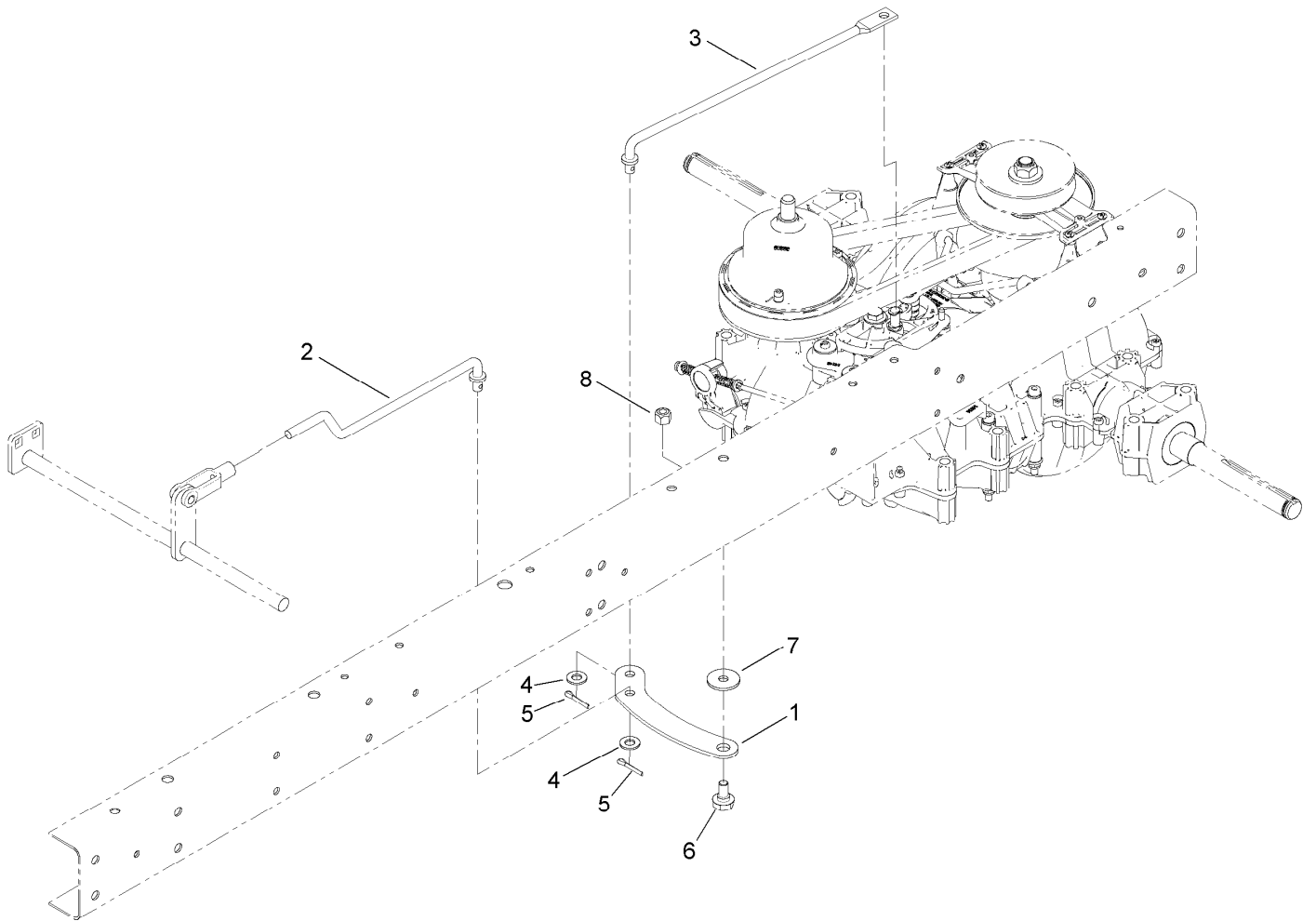
**Parts Catalog**

**Motion Control Link Kit**

**XLS Lawn Tractor**

**Model No. 121-4040**





## Motion Control Link Kit Assembly No. 121-4040

| <i>Ref.</i> | <i>Part Number</i> | <i>Qty.</i> | <i>Description</i>         |
|-------------|--------------------|-------------|----------------------------|
| 1           | 121-4012           | 1           | Bracket-Traction, Link Arm |
| 2           | 121-4013           | 1           | Rod-Motion Control, Front  |
| 3           | 121-4014           | 1           | Rod-Motion Control, Rear   |
| 4           | 3256-23            | 2           | Washer-Flat                |
| 5           | 3272-10            | 2           | Pin-Cotter                 |
| 6           | 37-8771            | 1           | Bolt-Shoulder              |
| 7           | 5-4460             | 1           | Washer-Pivot               |
| 8           | 3296-29            | 1           | Nut-Lock, NI               |