

LAWN-BOY®

21" GOLD SERIES WALK-BEHIND MOWER

HAND PUSH

MODEL NO.10422-7900001 & UP

SELF PROPELLED

MODEL NO.10518-7900001 & UP

MODEL NO.10523-7900001 & UP

PARTS CATALOG

PRODUCT CHANGES

In an effort to make improvements available to LAWN–BOY owners as quickly as possible, minor changes are incorporated into LAWN–BOY products from time to time that do not become immediately shown in the Parts Catalog. If such a change has been made in your unit, which is not reflected in your Parts Catalog, see your LAWN–BOY Distributor or his Authorized LAWN–BOY Service Dealer for information and part numbers.

IDENTIFICATION AND ORDERING

MODEL AND SERIAL NUMBERS

The Product has two identification numbers; a model number and a serial number. The two numbers are stamped on a plate mounted on the back side of the control panel. In any correspondence concerning the Product, supply model and serial numbers to assure that correct information and replacement parts are obtained.

To order replacement parts from an Authorized Service Dealer, supply the following information:

1. Model and serial number.
2. Part number, description, and the quantity of part(s) desired.

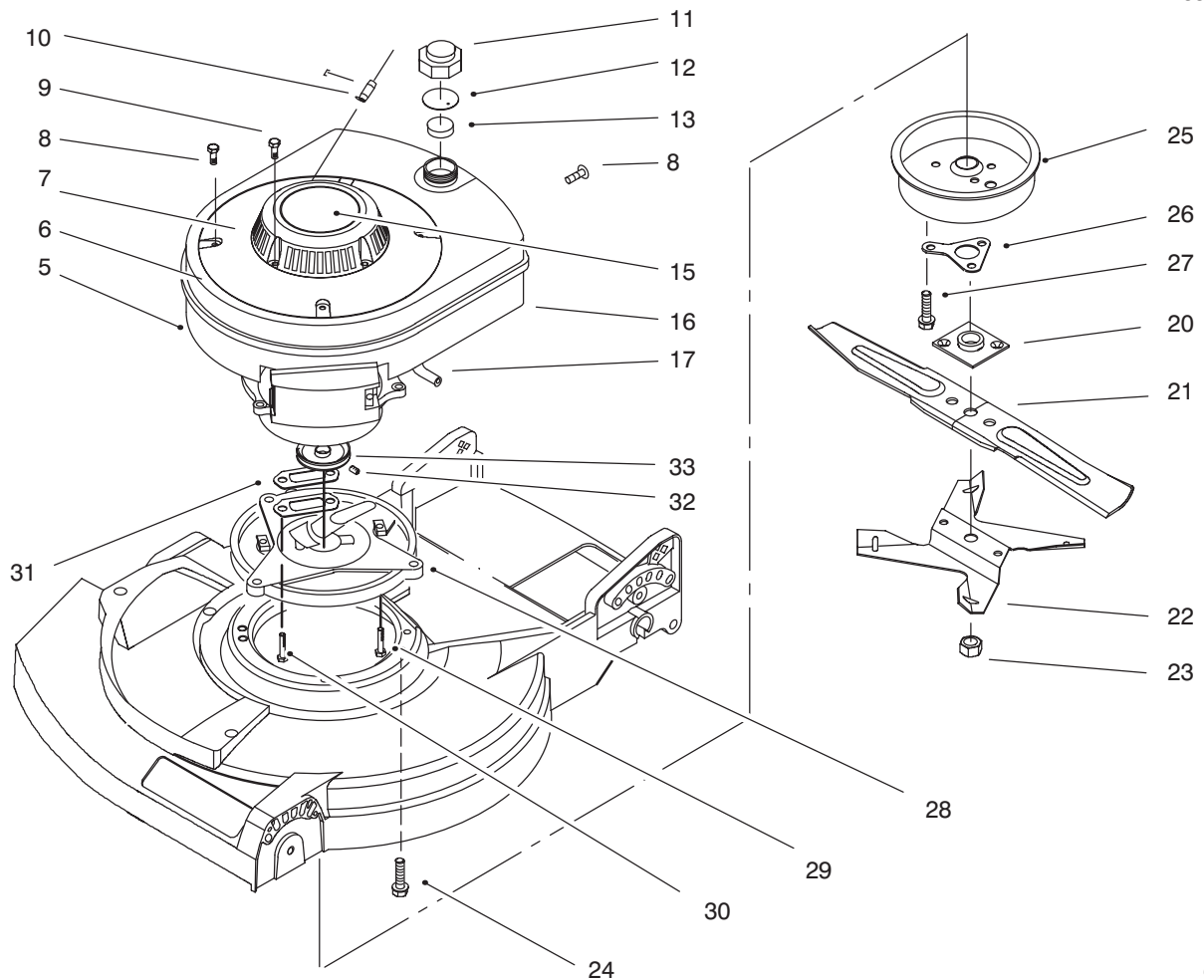
NOTE: Do not order by reference number if a parts catalog is being used; use the PART NUMBER.

TABLE OF CONTENTS

Description	Page	Description	Page
Engine, Fuel Tank & Blade Assembly	1	Handle Assembly	6
Deck And Wheel Assembly (Model No. 10422)	2	Rear Catcher Assembly (Model No. 10523 Only)	7
Deck And Wheel Assembly (Model No. 10518 & 10523)	3	Engine Assembly	8–9
Rear Wheel Drive Ass'y (Model No. 10518 & 10523)	4	Starter Assembly	10
Gear Case Ass'y (Model No. 10518 & 10523)	5	Carburetor Assembly	11
		Air Filter Assembly	12
		Lawn–Boy Part Number Index	13–15
		Maintenance	16–18

Accessories

Description	Model / Parts No.	Description	Model / Parts No.
Rear Bagging Kit (Model No. 10422 & 10518)	89800	Leaf Shredder Kit	89860
Side Bagging Kit	89814	Leaf Bag	89804

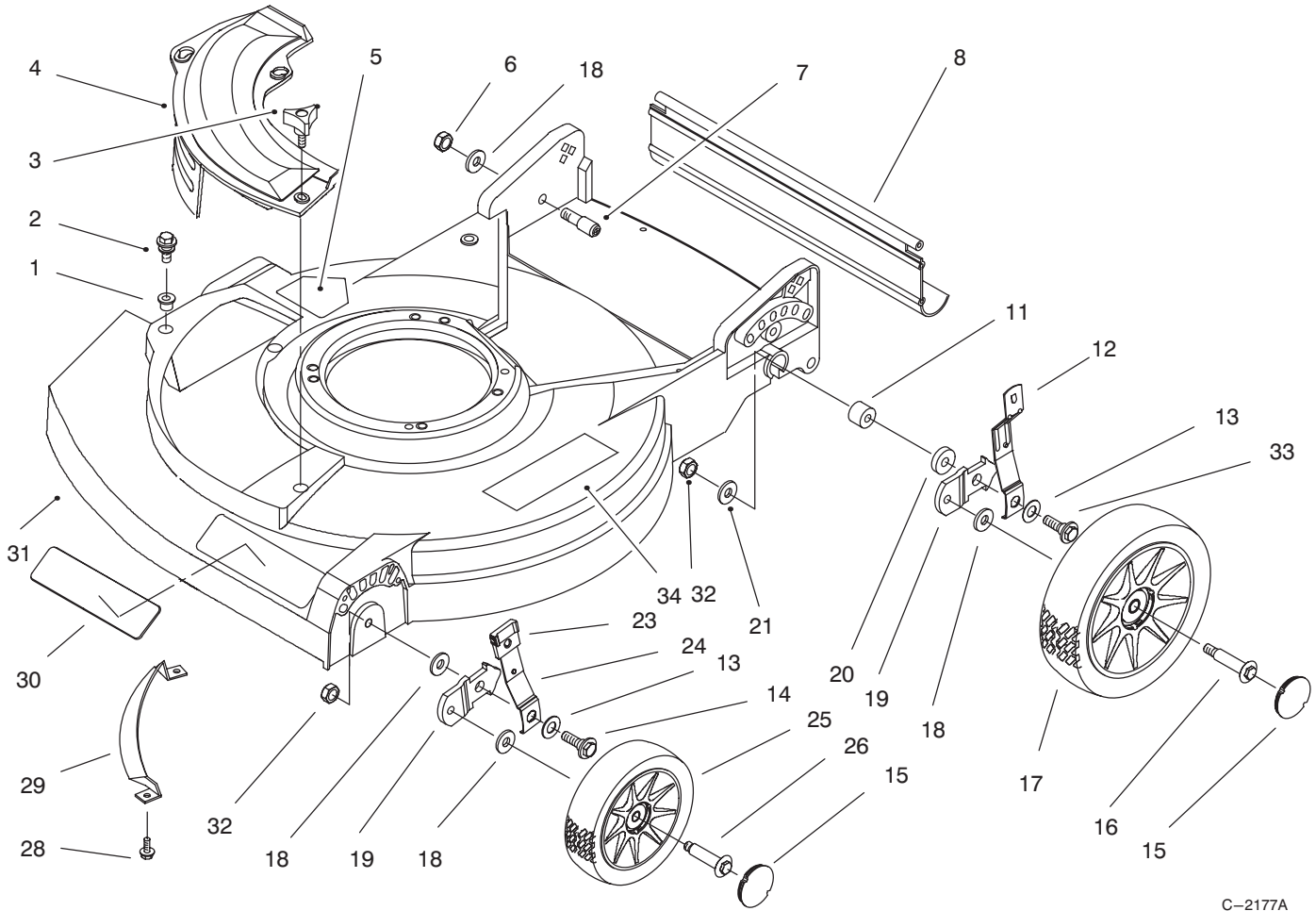


ENGINE, FUEL TANK & BLADE ASSEMBLY

C-2176B

Ref. No.	Part No.	Description	No. Used
5	16-5539	Shroud & Tank Assembly	1
6	684301	Base - Starter	1
7	684622	Starter Assembly	1
8	32144-53	Screw - Self Tapping	5
9	612428	Screw	4
10	47-2480	Stop - Rope	1
11	611327	Cap - Fuel	1
12	607213	Gasket - Fuel Cap	1
13	609150	Baffle Fuel Cap	1
15	93-0293	Decal - Recoil	1
16		Engine Assembly	1
17	612783	Line - Fuel	1
20	677525	Plate & Collar Assembly	1
21	612543	Blade 21"	1

Ref. No.	Part No.	Description	No. Used
22	92-1630	Fan - Mulching	1
23	603164	Nut - Blade	1
24	95-1727	Screw - Engine	3
25	682876	Muffler Cover Assembly	1
26	609786	Support - Crankshaft	1
27	609471	Screw	3
28	92-1054	Plate - Muffler	1
29	613500	Screw	1
30	607601	Screw	3
31	93-1233	Gasket - Muffler	1
32	610345	Screw - Set (Model No. 10518 & 10523)	1
33	609976	Pulley (Model No. 10518 & 10523)	1



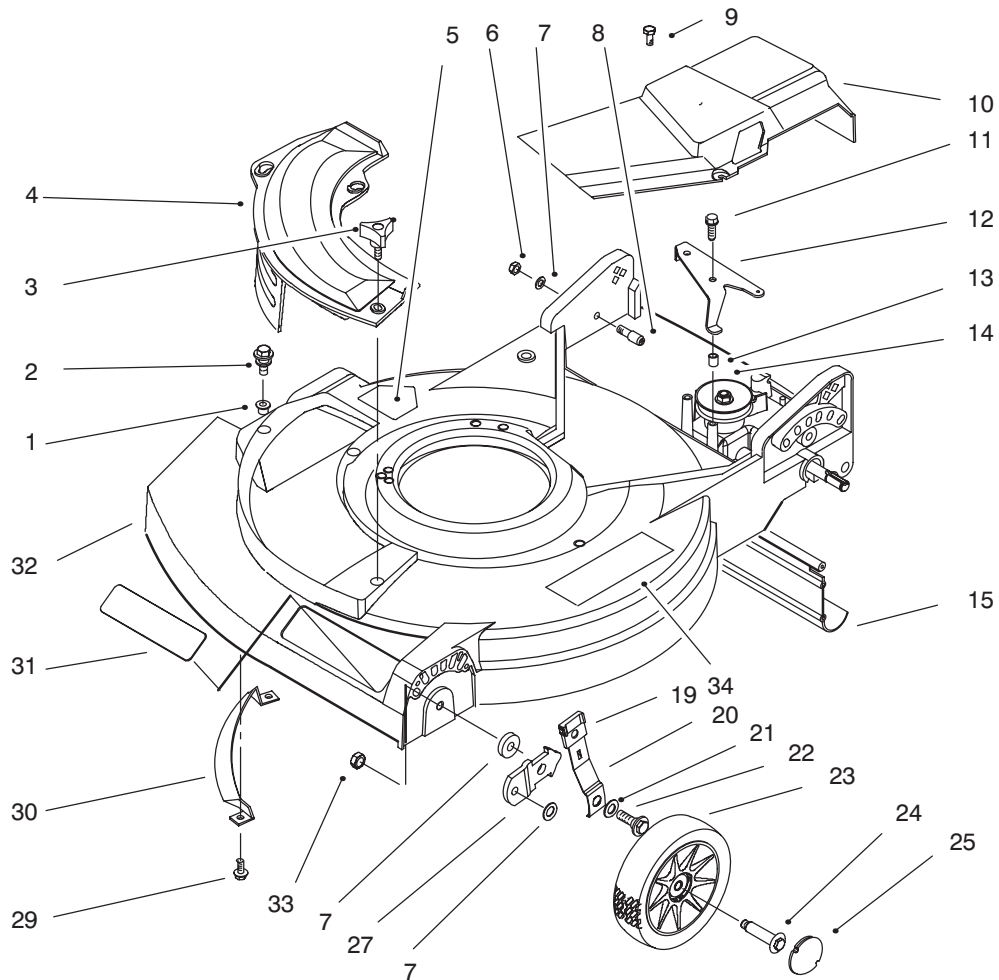
C-2177A

DECK AND WHEEL ASSEMBLY (Model No. 10422)

Ref. No.	Part No.	Description	No. Used
1	94-1610	Grommet	3
2	614677	Screw - Thread Forming	2
3	614682	Knob	1
4	92-8630	Cover- Plate, Mulch	1
*	607560	Cover - Side Discharge	1
5	39-5770	Decal - Danger (English)	1
6	610358	Nut	2
7	92-9673	Bolt - Shoulder	2
8	92-7736	Shield - Trailing	1
11	92-5791	Spacer	2
12	92-1005	Spring Arm Assembly	2
13	3290-413	Washer - Belleville	4
14	92-4856	Bolt - Shoulder	2
15	92-1604	Hub Cap	4
16	614650	Bolt - Wheel	2
17	684777	Wheel Assembly 8"	2

Ref. No.	Part No.	Description	No. Used
18	40-1940	Washer - Wheel Bolt	8
19	614637	Bracket - H. O. C.	4
20	29-8970	Washer	2
21	608834	Washer	2
23	92-1008	Knob - Spring Arm	4
24	92-1006	Spring Arm Assembly	2
25	684776	Wheel - 6"	2
26	92-1099	Bolt - Wheel	2
28	46-6811	Screw	2
29	608175	Bar - Toe	1
30	93-0289	Decal	1
31	16-5769	Housing - 21" (Incl. Ref.#5 & 34)	1
32	3296-39	Nut - Lock	4
33	92-7674	Bolt - Shoulder	2
34	93-7250	Decal - Warning	1

* Not Illustrated

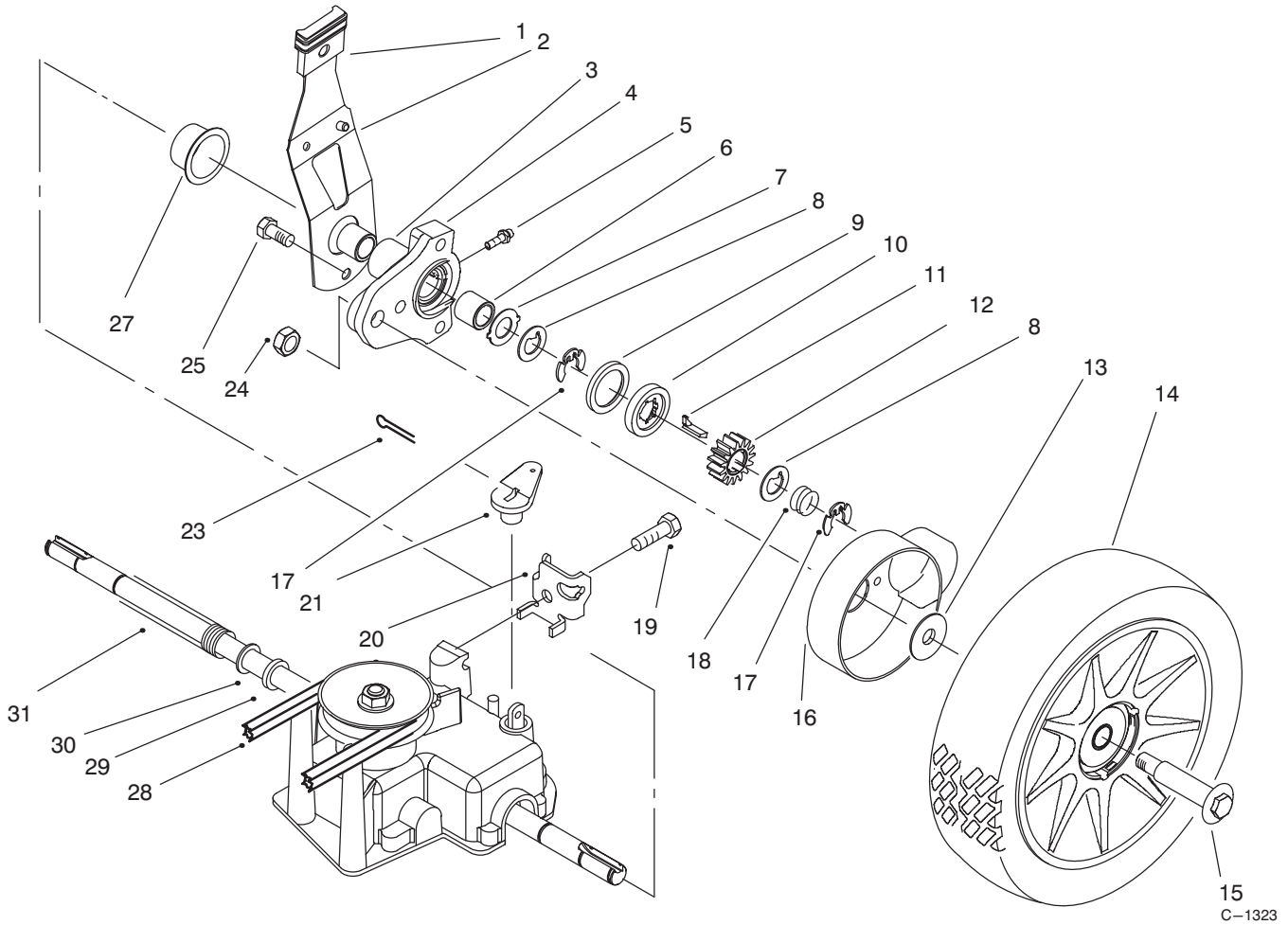


C-2178A

DECK AND WHEEL ASSEMBLY (Model No. 10518 & 10523)

Ref. No.	Part No.	Description	No. Used	Ref. No.	Part No.	Description	No. Used
1	94-1610	Grommet	3	19	92-1008	Knob - Spring Arm	4
2	614677	Screw - Thread Forming	2	20	92-1006	Spring Arm Assembly	2
3	614682	Knob	1	21	3290-413	Washer - Belleville	2
4	92-8630	Cover- Plate, Mulch	1	22	92-4856	Bolt - Shoulder	2
*	607560	Cover - Side Discharge	1	23	684776	Wheel - 6"	2
5	39-5770	Decal - Danger (English)	1	24	92-1099	Bolt - Wheel	2
6	610358	Nut	2	25	92-1604	Hub Cap	4
7	40-1940	Washer - Wheel Bolt	6	27	614637	Bracket - H. O. C.	2
8	92-9673	Bolt - Shoulder	2	29	46-6811	Screw	2
9	12-5450	Screw	1	30	608175	Bar - Toe	1
10	92-8852	Cover - Drive	1	31	93-0290	Decal	1
11	92-7748	Screw	2	32	16-5779	Housing - 21 (Incl. Ref. #5 & 34)	1
12	92-7699	Bracket - Actuator	1	33	3296-39	Nut - Lock	2
13	46-5551	Bushing	2	34	93-7250	Decal - Warning	1
14	92-7869	Gear Case Assembly	1				
15	92-7736	Shield - Trailing	1				

*Not Illustrated

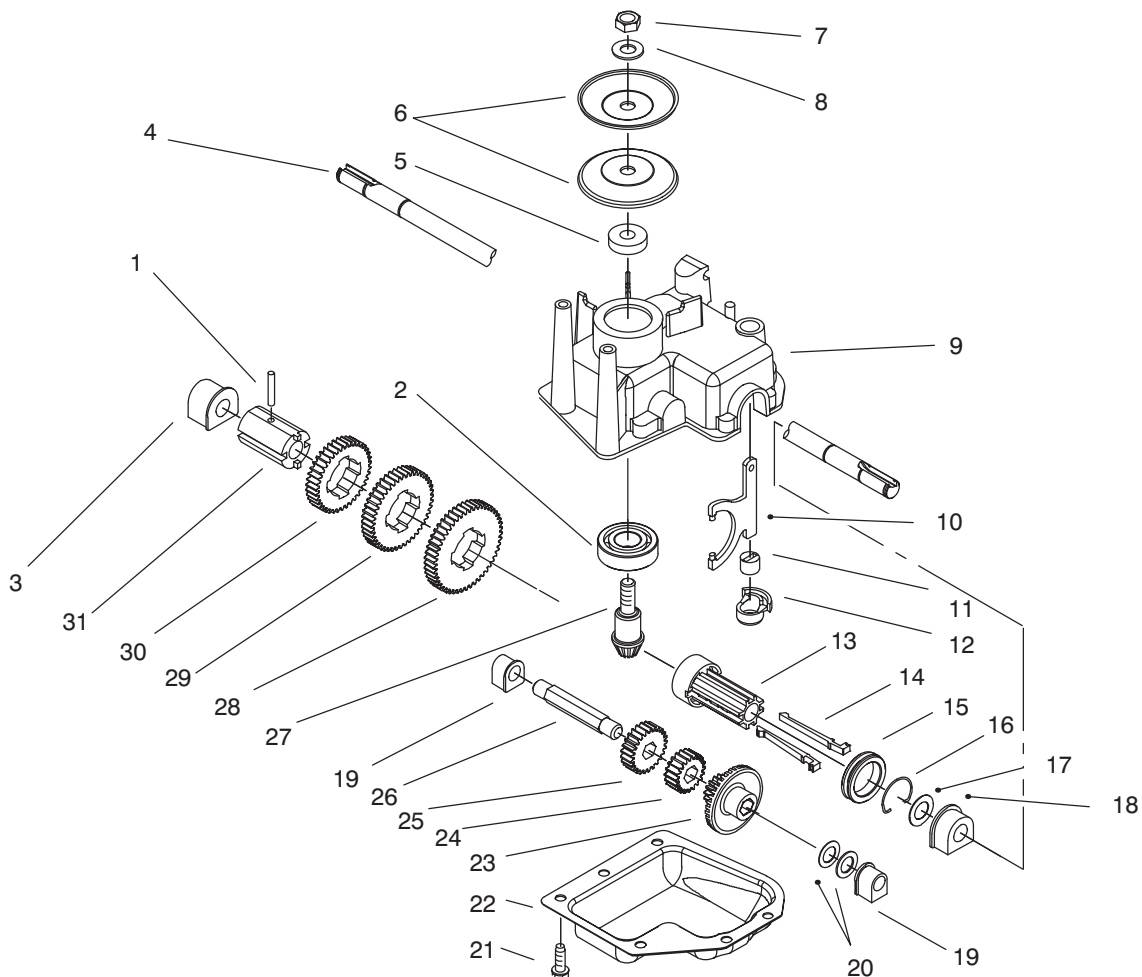


REAR WHEEL DRIVE ASS'Y (Model No. 10518 & 10523)

Ref. No.	Part No.	Description	No. Used
1	92-1008	Knob - Spring Arm (Ref.)	2
2	92-6540	Spring Arm Assembly L.H.	1
*	92-6539	Spring Arm Assembly R.H.	1
3	70-9760	Bushing	2
4	92-7746	Pivot Arm Assembly (Incl. Ref. #3, 5, & 6)	2
5	302-56	Fitting - Grease (Ref.)	2
6	47-2900	Bushing	2
7	65-4730	Washer - Thrust	2
8	65-4740	Washer - Thrust	4
9	65-4710	Ring - Friction	2
10	65-4760	Washer - Clutch	2
11	66-6050	Key - Rocking, L.H.	1
*	66-6040	Key - Rocking, R.H.	1
12	65-4750	Gear - Pinion	2
13	614426	Washer - Stepped	2

Ref. No.	Part No.	Description	No. Used
14	92-1042	Wheel - 8"	2
15	92-1057	Bolt - Wheel	2
16	94-1609	Cover - Wheel	2
17	65-2720	Ring - Retaining	4
18	65-4720	Spring - Compression	2
19	32144-70	Screw - Hex. Hd.	1
20	82-8780	Retainer - Cable	1
21	60-8821	Lever - Shift	1
23	3272-10	Pin - Cotter	1
24	610358	Nut	2
25	32144-85	Screw	2
27	92-6535	Cap - End	2
28	92-1043	"V"Belt	1
29	605255	Washer - Felt	1
30	303259	Washer - Flat	1
31	24-7920	Cover - Drive Shaft	1

*Not Illustrated



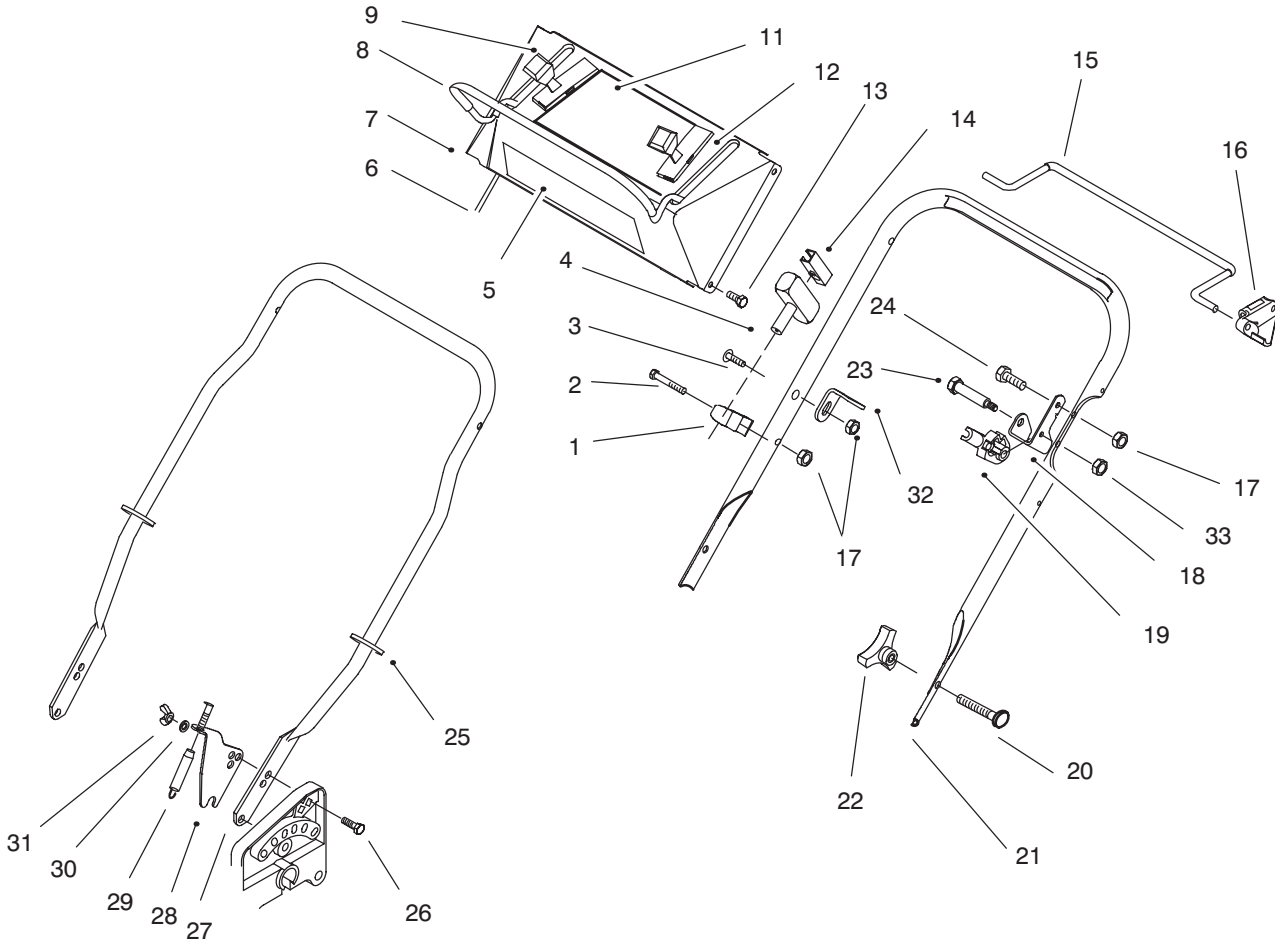
C-1322

GEAR CASE ASS'Y (Model No. 10518 & 10523)

Ref. No.	Part No.	Description	No. Used
1	3285-19	Pin - Groove	1
2	38-7820	Bearing - Ball	1
3	60-8850	Bushing - Output	1
4	65-4770	Shaft - Output	1
5	92-5791	Spacer	1
6	60-8840	Pulley - Half	2
7	3296-5	Nut	1
8	3256-24	Washer	1
9	60-8710	Gearcase - Upper	1
10	60-8870	Yoke - Shift	1
11	29-9570	Bushing - Yoke	1
12	60-8810	Retainer - Shift Fork	1
13	76-0780	Sleeve - Shift Key	1
14	76-0760	Key - Shift	2
15	76-0770	Collar - Shift	1
16	65-5250	Clip - Spring	1

Ref. No.	Part No.	Description	No. Used
17	36-4780	Washer	1
18	60-8770	Bushing - Output	1
19	60-8750	Bushing - Inter. Shaft	2
20	36-4791	Washer - Thrust	2
21	49-2040	Screw	6
22	60-8730	Gear Case Cover	1
23	55-3760	Pinion - 15 Tooth	1
24	55-3780	Pinion - 20 Tooth	1
25	55-3800	Pinion - 25 Tooth	1
26	60-8800	Shaft - Intermediate	1
27	92-5790	Pinion - Bevel	1
28	55-3770	Gear - 49 Tooth	1
29	55-3790	Gear - 44 Tooth	1
30	55-3810	Gear - 39 Tooth	1
31	60-8790	Sleeve - Gear	1
*	92-7869	Gear Case Complete	1

*Not Illustrated



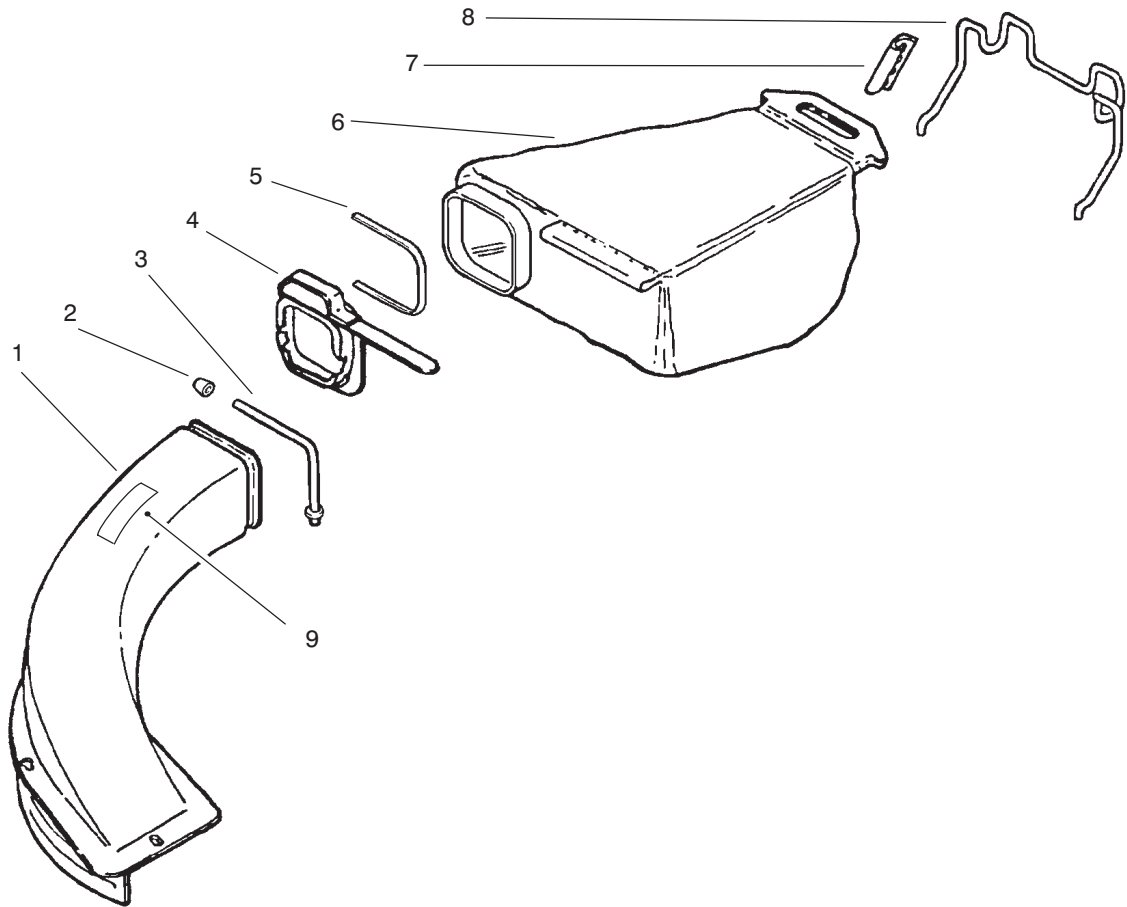
C-2179

HANDLE ASSEMBLY

Ref. No.	Part No.	Description	No. Used
1	93-7383	Guide - Rope	1
2	321-51	Bolt	1
3	92-2268	Screw	1
4	612825	Handle - Rope	1
5	92-2918	Decal - Control Panel	1
6	93-3248	Cable - Brake	1
7	95-5599	Panel - Control (Model No. 10422)	1
*	95-5592	Panel - Control (Model No. 10518 & 10523) (Incl. Ref.#11)	1
8	92-1093	Bail - Brake	1
9	92-8926	Control Ground Speed (Model No. 10518 & 10523)	1
11	95-1700	Decal - Control Panel (Model No. 10422)	1
*	95-1701	Decal - Control Panel (Model No. 10518 & 10523)	1
12	93-3683	Control - Throttle	1
13	92-9665	Screw	4
14	612824	Insert - Handle	1
15	92-1617	Bail - Control (Model No. 10518 & 10523)	1

Ref. No.	Part No.	Description	No. Used
16	92-5412	Stop - Pivot (Model No. 10518 & 10523)	1
17	3296-73	Nut	3
18	92-1094	Bracket - Cam	1
19	92-1078	Brake - BBC Cam	1
20	614697	Screw - Handle	2
21	92-1092	Handle - Upper	1
22	614243	Knob - Handle	2
23	613050	Bolt - Shoulder	1
24	321-4	Screw - Hex. Hd.	1
25	614249	Tie - Cable	2
26	3230-29	Bolt - Carriage	2
27	92-6537	Handle - Lower	1
28	92-7899	Bracket - Traction Cable (Model No. 10518 & 10523)	1
29	92-6518	Cable - Traction (Model No. 10518 & 10523)	1
30	3253-33	Washer	2
31	32103-29	Nut - Wing	2
32	92-2928	Bracket - Cable	1
33	3296-56	Nut - Lock	1

*Not Illustrated



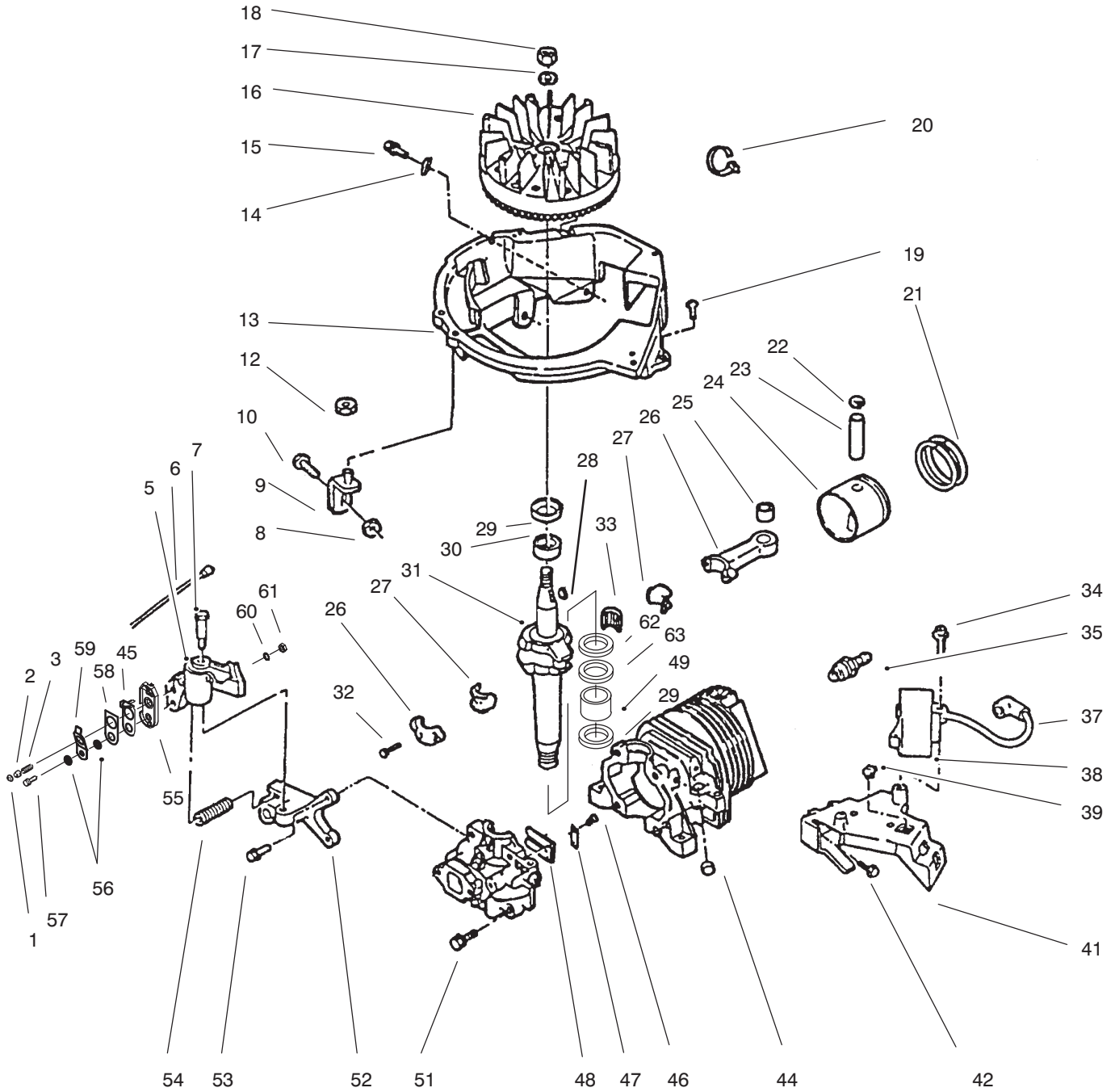
REAR CATCHER ASSEMBLY (Model No. 10523 Only)

Ref. No.	Part No.	Description	No. Used
1	684729	Chute & Support Assembly (Incl. Ref.# 2,3 & 9)	1
2	614589	Nut – Cap	1
3	614591	Chute Support	1
4	684727	Adaptor Assembly	1
5	614700	Tie Strap	1

Ref. No.	Part No.	Description	No. Used
6	*	Bag Assembly	1
7	613462	Hanger Clamp	2
8	613455	Wide Hanger	1
9	92-2919	Decal – Danger	1

*Includes Ref.#5 and instruction sheet for installing bag to adapter assembly. Order via model #89800.

ENGINE ASSEMBLY

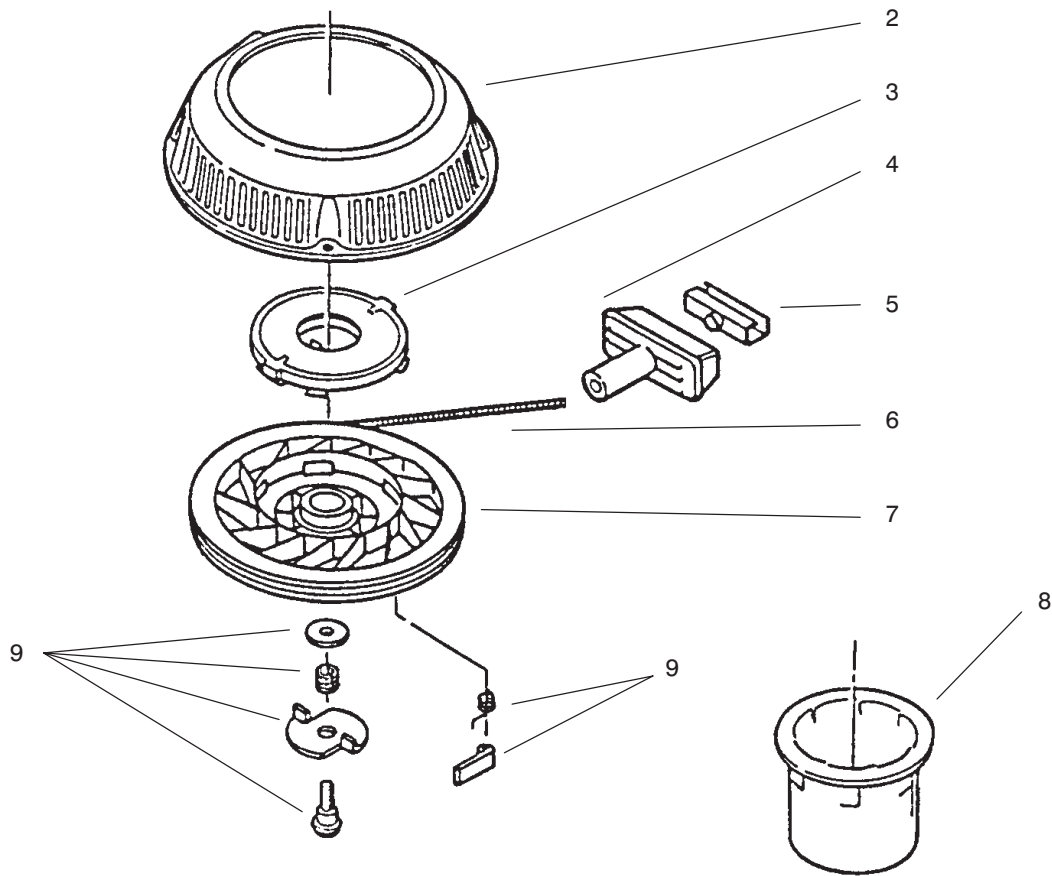


ENGINE ASSEMBLY

Ref. No.	Part No.	Description	No. Used
1	611213	Retainer	1
2	611509	Actuator – Brake Lever	1
3	611214	Spring – Cable, Return	1
5	682683	Brake Assembly	1
6	683821	Wire Lead	1
7	613529	Bolt – Shoulder	1
8	608311	Nut	1
9	683581	Brace Assembly	1
10	603014	Bolt	1
12	602315	Nut	1
13	612427	Shroud – Base	1
14	611191	"J"Clip	1
15	609947	Screw	3
16	683580	Flywheel Assembly	1
17	316959	Washer – Lock	1
18	130743	Nut – Flywheel	1
19	609808	Screw	1
20	317893	Tie Strap	1
21	681737	Set – Ring	1
22	303712	Ring – Retaining	2
23	606608	Pin – Wrist	1
24	92-4925	Piston & Connecting Rod Assembly (Incl. Ref. #21-23, 25, 27, 32, & 33)	1
25	92-4927	Bearing Assembly	1
26	92-4921	Connecting Rod Assembly (Incl. Ref. #25, 27,32 & 33)	1
27	677982	Liner – Pair	1
28	607199	Key – Flywheel	1
29	611396	Seal – Oil	2
30	681830	Bearing – Main	1

Ref. No.	Part No.	Description	No. Used
31	94-5713	Crankshaft	1
32	611393	Screw	2
33	609754	Set – Needle Bearing	1
34	607526	Screw	2
35	614009	Spark Plug	1
37	681678	Wire Lead & Cover Assy	1
38	683215	C. D. Ignition Module (Incl. Ref. #37)	1
39	605120	Grommet	2
41	613072	Bracket – C. D.	1
42	614343	Screw	2
44	609123	Plug	4
45	612841	Plate – Contact	1
46	612872	Screw	2
47	602587	Plate – Reed	1
48	602588	Reed	1
49	681831	Bearing – Main	1
51	613110	Screw	1
52	611192	Bracket – Brake	1
53	613233	Screw	2
54	611211	Spring – Brake	1
55	93-1240	Case Assembly	1
56	306407	Washer	2
57	321-6	Screw	1
58	612842	Shield	1
59	93-1239	Spring – Contact	1
60	3255-7	Washer – Ext. Tooth Lock	1
61	146254	Nut	1
62	252-76	Bearing – Thrust	1
63	252-80	Washer – Thrust	1
*	94-5734	Short Block	1

*Not Illustrated

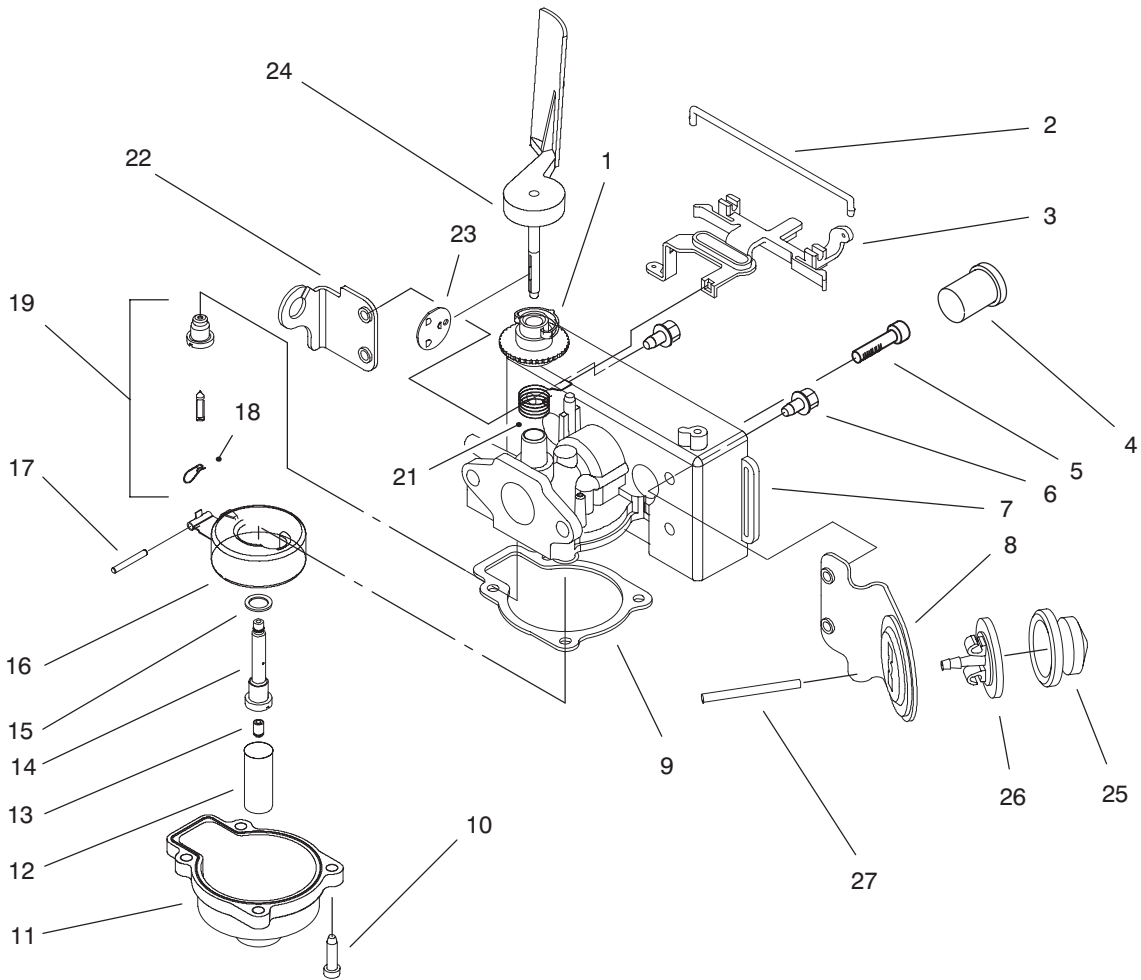


C-2181

STARTER ASSEMBLY

Ref. No.	Part No.	Description	No. Used
*	684622	Starter Assembly (Incl. Ref. #2, 3, 6, 7, & 9)	1
2	684567	Starter Housing & Shaft	1
3	92-4935	Spring & Keeper	1
4	612825	Handle - Starter	1

Ref. No.	Part No.	Description	No. Used
5	612824	Clip - Rope	1
6	612432	Rope	1
7	612950	Pulley	1
8	612949	Hub - Starter	1
9	683899	Kit - Dog	1

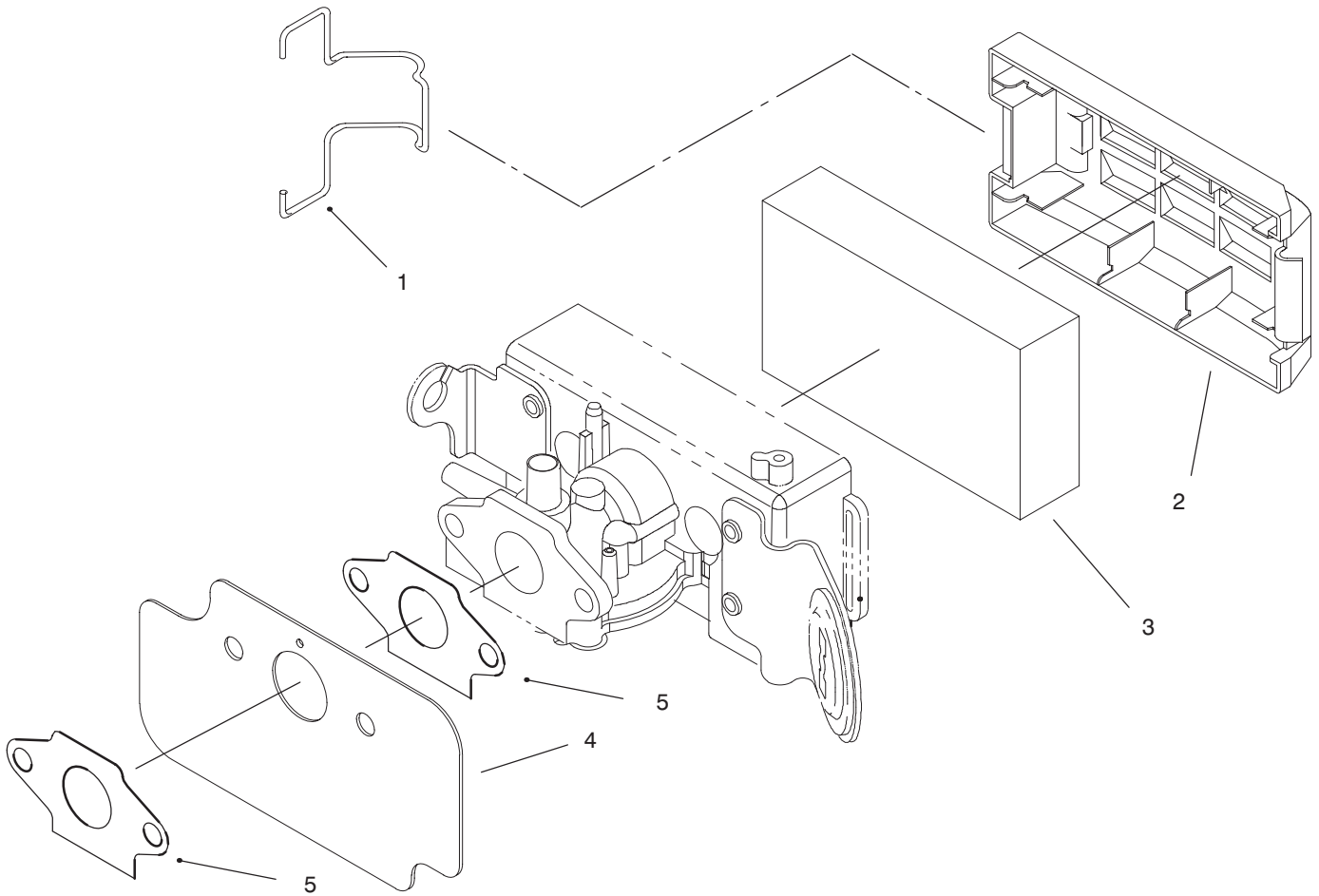


C-2182A

CARBURETOR ASSEMBLY

Ref. No.	Part No.	Description	No. Used	Ref. No.	Part No.	Description	No. Used
1	610834	Collar – Adjustment	1	15	612383	Washer	1
2	610165	Retainer	1	16	678113	Float & Arm Assembly	1
3	93-1225	Lever – Speed Adjust	1	17	92-6389	Pin	1
4	611545	Plug	2	18	603145	Clip	1
5	609482	Screw – Pan Hd. Sems	2	19	678278	Float, Valve, & Body Ass'y	1
6	613269	Screw	4	21	92-4944	Spring – Governor	1
7	93-4341	Body – Carburetor	1	22	93-1226	Bracket – Throttle Control	1
8	93-1232	Bracket – Primer	1	23	94-5704	Disc – Throttle	1
9	602850	Gasket – Float Chamber	1	24	92-6376	Air Vane & Shaft	1
10	608850	Screw	4	25	66-7460	Bulb – Primer	1
11	92-9691	Float Chamber	1	26	44-2750	Body – Primer	1
12	611071	Filter – Fuel	1	27	44-3172	Hose – Primer	1
13	94-5710	Main Jet	1	*	94-5738	Carburetor Complete	1
14	92-6371	Nozzle	1				

*Not Illustrated



C-2184A

AIR FILTER ASSEMBLY

Ref. No.	Part No.	Description	No. Used
1	610383	Retainer – Cover	1
2	93-1231	Cover – Air Filter	1
3	609493	Element – Air Filter	1

Ref. No.	Part No.	Description	No. Used
4	93-1221	Shield – Heat	1
5	92-4948	Gasket – Carb.	2

LAWN-BOY PART NUMBER INDEX

Part No.	Description	Pg. Ref. No. No. Qty.	Part No.	Description	Pg. Ref. No. No. Qty.
*	Bag Assembly	7 6 1	612824	Insert - Handle	6 14 1
130743	Nut - Flywheel	9 18 1	612825	Handle - Rope	6 4 1
146254	Nut	9 61 1	612825	Handle - Starter	10 4 1
303259	Washer - Flat	4 30 1	612841	Plate - Contact	9 45 1
303712	Ring - Retaining	9 22 2	612842	Shield	9 58 1
306407	Washer	9 56 2	612872	Screw	9 46 2
316959	Washer - Lock	9 17 1	612949	Hub - Starter	10 8 1
317893	Tie Strap	9 20 1	612950	Pulley	10 7 1
602315	Nut	9 12 1	613050	Bolt - Shoulder	6 23 1
602587	Plate - Reed	9 47 1	613072	Bracket - C. D.	9 41 1
602588	Reed	9 48 1	613110	Screw	9 51 1
602850	Gasket - Float Chamber	11 9 1	613233	Screw	9 53 2
603014	Bolt	9 10 1	613269	Screw	11 6 4
603145	Clip	11 18 1	613455	Wide Hanger	7 8 1
603164	Nut - Blade	1 23 1	613462	Hanger Clamp	7 7 2
605120	Grommet	9 39 2	613500	Screw	1 29 1
605255	Washer - Felt	4 29 1	613529	Bolt - Shoulder	9 7 1
606608	Pin - Wrist	9 23 1	614009	Spark Plug	9 35 1
607199	Key - Flywheel	9 28 1	614243	Knob - Handle	6 22 2
607213	Gasket - Fuel Cap	1 12 1	614249	Tie - Cable	6 25 2
607526	Screw	9 34 2	614343	Screw	9 42 2
607560	Cover - Side Discharge	2 * 1	614426	Washer - Stepped	4 13 2
607560	Cover - Side Discharge	3 * 1	614589	Nut - Cap	7 2 1
607601	Screw	1 30 3	614591	Chute Support	7 3 1
608175	Bar - Toe	2 29 1	614637	Bracket - H. O. C.	2 19 4
608175	Bar - Toe	3 30 1	614637	Bracket - H. O. C.	3 27 2
608311	Nut	9 8 1	614650	Bolt - Wheel	2 16 2
608834	Washer	2 21 2	614677	Screw - Thread Forming	2 2 2
608850	Screw	11 10 4	614677	Screw - Thread Forming	3 2 2
609123	Plug	9 44 4	614682	Knob	2 3 1
609150	Baffle Fuel Cap	1 13 1	614682	Knob	3 3 1
609471	Screw	1 27 3	614697	Screw - Handle	6 20 2
609482	Screw - Pan Hd. Sems	11 5 2	614700	Tie Strap	7 5 1
609493	Element - Air Filter	12 3 1	677525	Plate & Collar Assembly	1 20 1
609754	Set - Needle Bearing	9 33 1	677982	Liner - Pair	9 27 1
609786	Support - Crankshaft	1 26 1	678113	Float & Arm Assembly	11 16 1
609808	Screw	9 19 1	678278	Float, Valve, & Body Ass'y	11 19 1
609947	Screw	9 15 3	681678	Wire Lead & Cover Assy	9 37 1
609976	Pulley	1 33 1	681737	Set - Ring	9 21 1
610165	Retainer	11 2 1	681830	Bearing - Main	9 30 1
610345	Screw - Set	1 32 1	681831	Bearing - Main	9 49 1
610358	Nut	2 6 2	682683	Brake Assembly	9 5 1
610358	Nut	3 6 2	682876	Muffler Cover Assembly	1 25 1
610358	Nut	4 24 2	683215	C. D. Ignition Module	9 38 1
610383	Retainer - Cover	12 1 1	683580	Flywheel Assembly	9 16 1
610834	Collar - Adjustment	11 1 1	683581	Brace Assembly	9 9 1
611071	Filter - Fuel	11 12 1	683821	Wire Lead	9 6 1
611191	JClip	9 14 1	683899	Kit - Dog	10 9 1
611192	Bracket - Brake	9 52 1	684301	Base - Starter	1 6 1
611211	Spring - Brake	9 54 1	684567	Starter Housing & Shaft	10 2 1
611213	Retainer	9 1 1	684622	Starter Assembly	10 * 1
611214	Spring - Cable, Return	9 3 1	684622	Starter Assembly	1 7 1
611327	Cap - Fuel	1 11 1	684727	Adaptor Assembly	7 4 1
611393	Screw	9 32 2	684729	Chute & Support Assembly	7 1 1
611396	Seal - Oil	9 29 2	684776	Wheel - 6	3 23 2
611509	Actuator - Brake Lever	9 2 1	684776	Wheel - 6	2 25 2
611545	Plug	11 4 2	684777	Wheel Assembly 8	2 17 2
612383	Washer	11 15 1	12-5450	Screw	3 9 1
612427	Shroud - Base	9 13 1	16-5539	Shroud & Tank Assembly	1 5 1
612428	Screw	1 9 4	16-5769	Housing - 21	2 31 1
612432	Rope	10 6 1	16-5779	Housing - 21	3 32 1
612543	Blade 21	1 21 1	24-7920	Cover - Drive Shaft	4 31 1
612783	Line - Fuel	1 17 1	29-8970	Washer	2 20 2
612824	Clip - Rope	10 5 1	29-9570	Bushing - Yoke	5 11 1

*Not Illustrated

LAWN-BOY PART NUMBER INDEX (Cont.)

Part No.	Description	Pg. No.	Ref. No.	Qty.	Part No.	Description	Pg. No.	Ref. No.	Qty.
36-4780	Washer	5	17	1	92-1099	Bolt - Wheel	2	26	2
36-4791	Washer - Thrust	5	20	2	92-1604	Hub Cap	2	15	4
38-7820	Bearing - Ball	5	2	1	92-1604	Hub Cap	3	25	4
39-5770	Decal - Danger (English)	2	5	1	92-1617	Bail - Control	6	15	1
39-5770	Decal - Danger (English)	3	5	1	92-1630	Fan - Mulching	1	22	1
40-1940	Washer - Wheel Bolt	3	7	6	92-2268	Screw	6	3	1
40-1940	Washer - Wheel Bolt	2	18	8	92-2918	Decal - Control Panel	6	5	1
44-2750	Body - Primer	11	26	1	92-2919	Decal - Danger	7	9	1
44-3172	Hose - Primer	11	27	1	92-2928	Bracket - Cable	6	32	1
46-5551	Bushing	3	13	2	92-4856	Bolt - Shoulder	2	14	2
46-6811	Screw	2	28	2	92-4856	Bolt - Shoulder	3	22	2
46-6811	Screw	3	29	2	92-4921	Connecting Rod Assembly	9	26	1
47-2480	Stop - Rope	1	10	1	92-4925	Piston & Connecting Rod	9	24	1
47-2900	Bushing	4	6	2	92-4927	Bearing Assembly	9	25	1
49-2040	Screw	5	21	6	92-4935	Spring & Keeper	10	3	1
55-3760	Pinion - 15 Tooth	5	23	1	92-4944	Spring - Governor	11	21	1
55-3770	Gear - 49 Tooth	5	28	1	92-4948	Gasket - Carb.	12	5	2
55-3780	Pinion - 20 Tooth	5	24	1	92-5412	Stop - Pivot	6	16	1
55-3790	Gear - 44 Tooth	5	29	1	92-5790	Pinion - Bevel	5	27	1
55-3800	Pinion - 25 Tooth	5	25	1	92-5791	Spacer	5	5	1
55-3810	Gear - 39 Tooth	5	30	1	92-5791	Spacer	2	11	2
60-8710	Gearcase - Upper	5	9	1	92-6371	Nozzle	11	14	1
60-8730	Gear Case Cover	5	22	1	92-6376	Air Vane & Shaft	11	24	1
60-8750	Bushing - Inter. Shaft	5	19	2	92-6389	Pin	11	17	1
60-8770	Bushing - Output	5	18	1	92-6518	Cable - Traction	6	29	1
60-8790	Sleeve - Gear	5	31	1	92-6535	Cap - End	4	27	2
60-8800	Shaft - Intermediate	5	26	1	92-6537	Handle - Lower	6	27	1
60-8810	Retainer - Shift Fork	5	12	1	92-6539	Spring Arm Assembly R.H.	4	*	1
60-8821	Lever - Shift	4	21	1	92-6540	Spring Arm Assembly L.H.	4	2	1
60-8840	Pulley - Half	5	6	2	92-7674	Bolt - Shoulder	2	33	2
60-8850	Bushing - Output	5	3	1	92-7699	Bracket - Actuator	3	12	1
60-8870	Yoke - Shift	5	10	1	92-7736	Shield - Trailing	2	8	1
65-2720	Ring - Retaining	4	17	4	92-7736	Shield - Trailing	3	15	1
65-4710	Ring - Friction	4	9	2	92-7746	Pivot Arm Assembly	4	4	2
65-4720	Spring - Compression	4	18	2	92-7748	Screw	3	11	2
65-4730	Washer - Thrust	4	7	2	92-7869	Gear Case Assembly	3	14	1
65-4740	Washer - Thrust	4	8	4	92-7869	Gear Case Complete	5	*	1
65-4750	Gear - Pinion	4	12	2	92-7899	Bracket - Traction Cable	6	28	1
65-4760	Washer - Clutch	4	10	2	92-8630	Cover- Plate, Mulch	2	4	1
65-4770	Shaft - Output	5	4	1	92-8630	Cover- Plate, Mulch	3	4	1
65-5250	Clip - Spring	5	16	1	92-8852	Cover - Drive	3	10	1
66-6040	Key - Rocking, R.H.	4	*	1	92-8926	Control Ground Speed	6	9	1
66-6050	Key - Rocking, L.H.	4	11	1	92-9665	Screw	6	13	4
66-7460	Bulb - Primer	11	25	1	92-9673	Bolt - Shoulder	2	7	2
70-9760	Bushing	4	3	2	92-9673	Bolt - Shoulder	3	8	2
76-0760	Key - Shift	5	14	2	92-9691	Float Chamber	11	11	1
76-0770	Collar - Shift	5	15	1	93-0289	Decal	2	30	1
76-0780	Sleeve - Shift Key	5	13	1	93-0290	Decal	3	31	1
82-8780	Retainer - Cable	4	20	1	93-0293	Decal - Recoil	1	15	1
92-1005	Spring Arm Assembly	2	12	2	93-1221	Shield - Heat	12	4	1
92-1006	Spring Arm Assembly	3	20	2	93-1225	Lever - Speed Adjust	11	3	1
92-1006	Spring Arm Assembly	2	24	2	93-1226	Bracket - Throttle Control	11	22	1
92-1008	Knob - Spring Arm	3	19	4	93-1231	Cover - Air Filter	12	2	1
92-1008	Knob - Spring Arm	2	23	4	93-1232	Bracket - Primer	11	8	1
92-1008	Knob - Spring Arm	4	1	2	93-1233	Gasket - Muffler	1	31	1
92-1042	Wheel - 8	4	14	2	93-1239	Spring - Contact	9	59	1
92-1043	VBelt	4	28	1	93-1240	Case Assembly	9	55	1
92-1054	Plate - Muffler	1	28	1	93-3248	Cable - Brake	6	6	1
92-1057	Bolt - Wheel	4	15	2	93-3683	Control - Throttle	6	12	1
92-1078	Brake - BBC Cam	6	19	1	93-4341	Body - Carburetor	11	7	1
92-1092	Handle - Upper	6	21	1	93-7250	Decal - Warning	2	34	1
92-1093	Bail - Brake	6	8	1	93-7250	Decal - Warning	3	34	1
92-1094	Bracket - Cam	6	18	1	93-7383	Guide - Rope	6	1	1
92-1099	Bolt - Wheel	3	24	2	94-1609	Cover - Wheel	4	16	2

*Not Illustrated

LAWN-BOY PART NUMBER INDEX (Cont.)

Part No.	Description	Pg. Ref.			Part No.	Description	Pg. Ref.		
		No.	No.	Qty.			No.	No.	Qty.
94-1610	Grommet	2	1	3	3230-29	Bolt - Carriage	6	26	2
94-1610	Grommet	3	1	3	3253-33	Washer	6	30	2
94-5704	Disc - Throttle	11	23	1	3255-7	Washer - Ext. Tooth Lock	9	60	1
94-5710	Main Jet	11	13	1	3256-24	Washer	5	8	1
94-5713	Crankshaft	9	31	1	3272-10	Pin - Cotter	4	23	1
94-5734	Short Block	9	*	1	3285-19	Pin - Groove	5	1	1
94-5738	Carburetor Complete	11	*	1	3290-413	Washer - Belleville	2	13	4
95-1700	Decal - Control Panel	6	11	1	3290-413	Washer - Belleville	3	21	2
95-1701	Decal - Control Panel	6	*	1	3296-5	Nut	5	7	1
95-1727	Screw - Engine	1	24	3	3296-39	Nut - Lock	2	32	4
95-5592	Panel - Control	6	*	1	3296-39	Nut - Lock	3	33	2
95-5599	Panel - Control	6	7	1	3296-56	Nut - Lock	6	33	1
252-76	Bearing - Thrust	9	62	1	3296-73	Nut	6	17	3
252-80	Washer - Thrust	9	63	1	32103-29	Nut - Wing	6	31	2
302-56	Fitting - Grease (Ref.)	4	5	2	32144-53	Screw - Self Tapping	1	8	5
321-4	Screw - Hex. Hd.	6	24	1	32144-70	Screw - Hex. Hd.	4	19	1
321-6	Screw	9	57	1	32144-85	Screw	4	25	2
321-51	Bolt	6	2	1					

