



Count on it.

Parts Catalog

**CCR™ 6053 ES Quick Clear
Snowthrower**

Model No. 38569—Serial No. 313000001 and Up



Ordering Replacement Parts

To order replacement parts, please supply the part number, the quantity, and the description of each part desired.

Understanding Reference Numbers

Each identified part in an illustration has a reference number. The reference number for a part also appears in the parts list, along with other information about the part.

This catalog uses two special reference number formats, one to indicate parts in a service assembly and another to indicate the quantity of a given part in an illustration.

Service Assembly Reference Numbers

Parts in service assemblies have reference numbers in the form a:b. The a represents the reference number of the entire service assembly and the b represents a sequential number unique to each part within the service assembly.

For example, a wheel assembly might be identified by reference number 6, the tire by 6:1, the valve by 6:2, and the wheel by 6:3. When you order the assembly identified by reference number 6, you receive all parts identified by reference numbers 6:1, 6:2, and 6:3. However, you may also order any part individually. Reference numbers of this type appear in illustration and in parts lists.

Reference Numbers Indicating Quantity

In an illustration, if a reference number indicates more than one part, the reference number has the form nX y. The n represents the quantity of the part, the X is the multiplication symbol, and the y represents the reference number.

For example, in an illustration, the reference number 2X 37 means that two of the parts identified by reference number 37 are indicated.

List of Abbreviations

AR: as required

ASM: assembly

BBC: blade brake control

BHTF: button head thread forming

CARR: carriage

CCW: counter clockwise

CW: clockwise

DEG: degrees

DPA: Dual Point Adjustment

ECM: electronic control module

EXT: external

FH: flat head

GA: gauge

HD: heavy-duty

HF: hex flange

HH: hex head

HHF: hex head flange

HHFTF: hex head flange thread forming

HJ: hex jam

HLH: hex lag head

HOC: height-of-cut

HSBH: hex socket button head

HSFH: hex socket flat head

HSH: hex socket head

HWH: hex washer head

HWHTF: hex washer head thread forming

HYD: hydraulic

LH: left hand

LPG: Liquid Propane Gas

NI: nylon insert

NPTF: national pipe thread fine

PFH: phillips flat head

PPH: phillips pan head

PPHTF: phillips pan head thread forming

PRH: phillips round head

PTH: phillips truss head

PTO: power-take-off

RH: right hand

ROPS: roll-over protection system

RRB: rear roller brush

SFH: slotted fillister head

SHH: slotted hex head

SHWH: slotted hex washer head

SPH: slotted pan head

SQH: square head

SRH: slotted round head

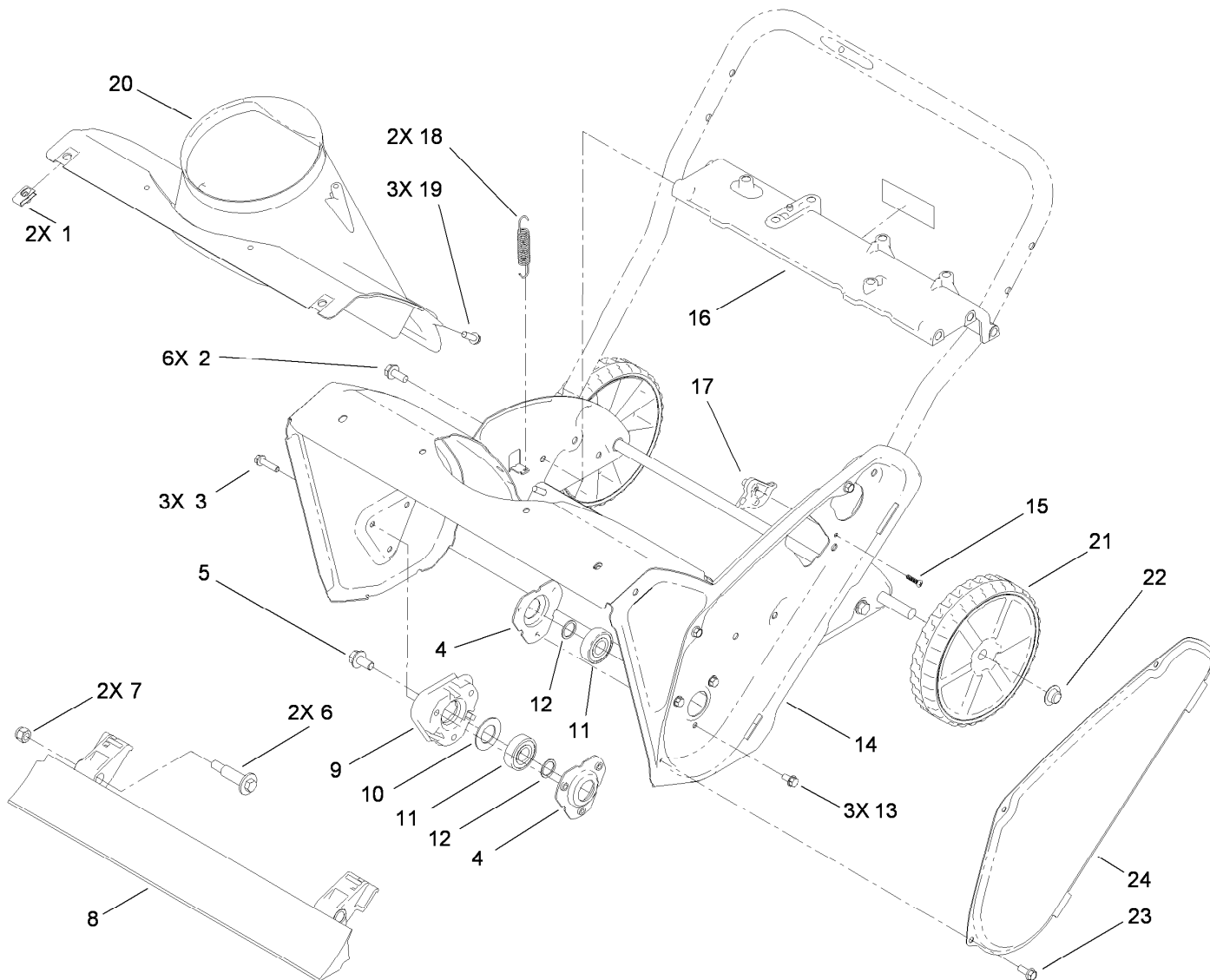
STD: standard

TAP: self tapping

TTH: torx truss head

Contents

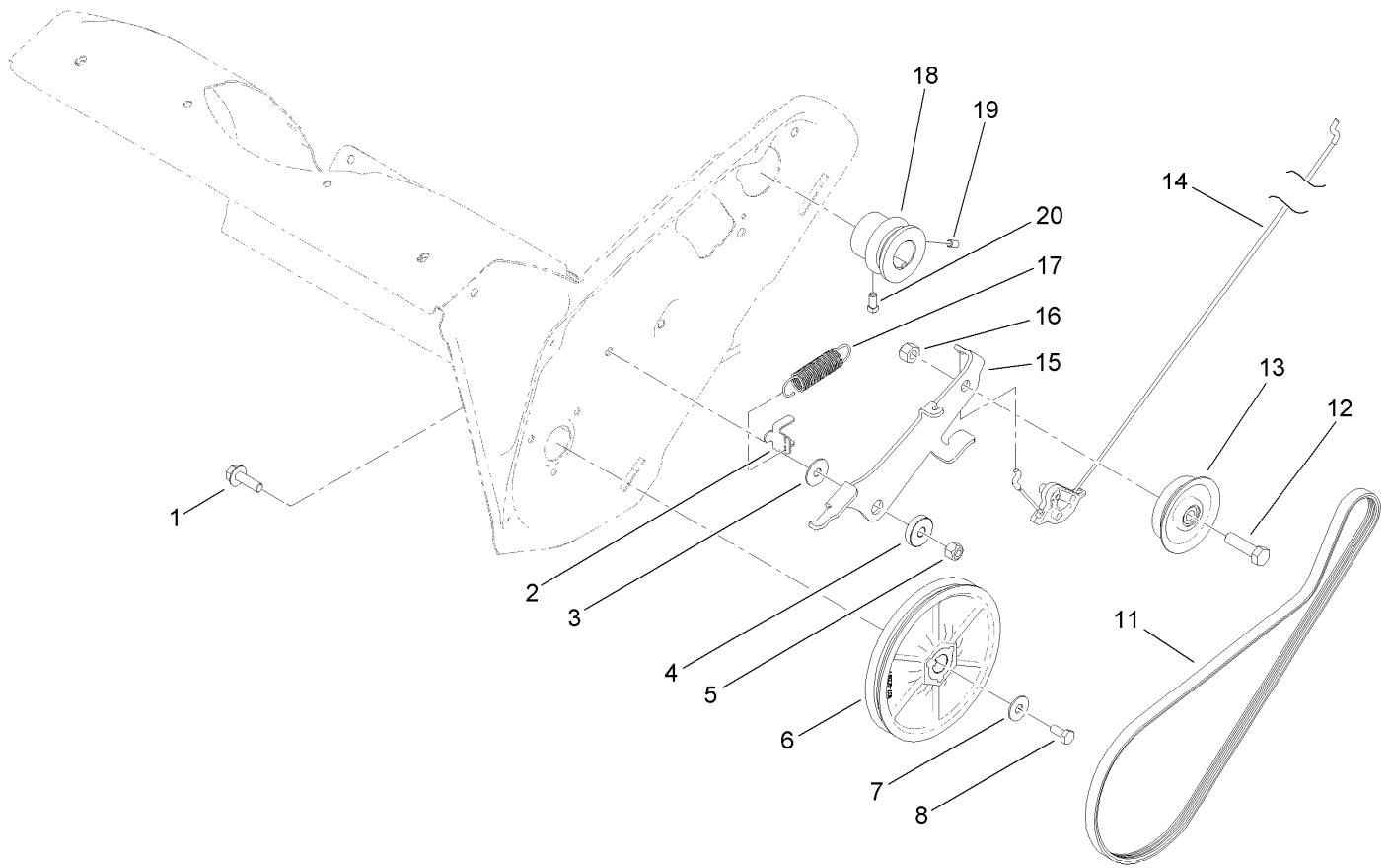
Main Frame Assembly	4
Rotor Drive Assembly	5
Rotor Assembly	6
Engine Assembly	7
Engine Assembly No. 1.....	8
Engine Assembly No. 2.....	10
Engine Assembly No. 3.....	12
Shroud Assembly	13
Chute Control Assembly	14
Upper Handle Assembly	15
Handle Chute Control Assembly	16
Attachments and Accessories	17



Main Frame Assembly

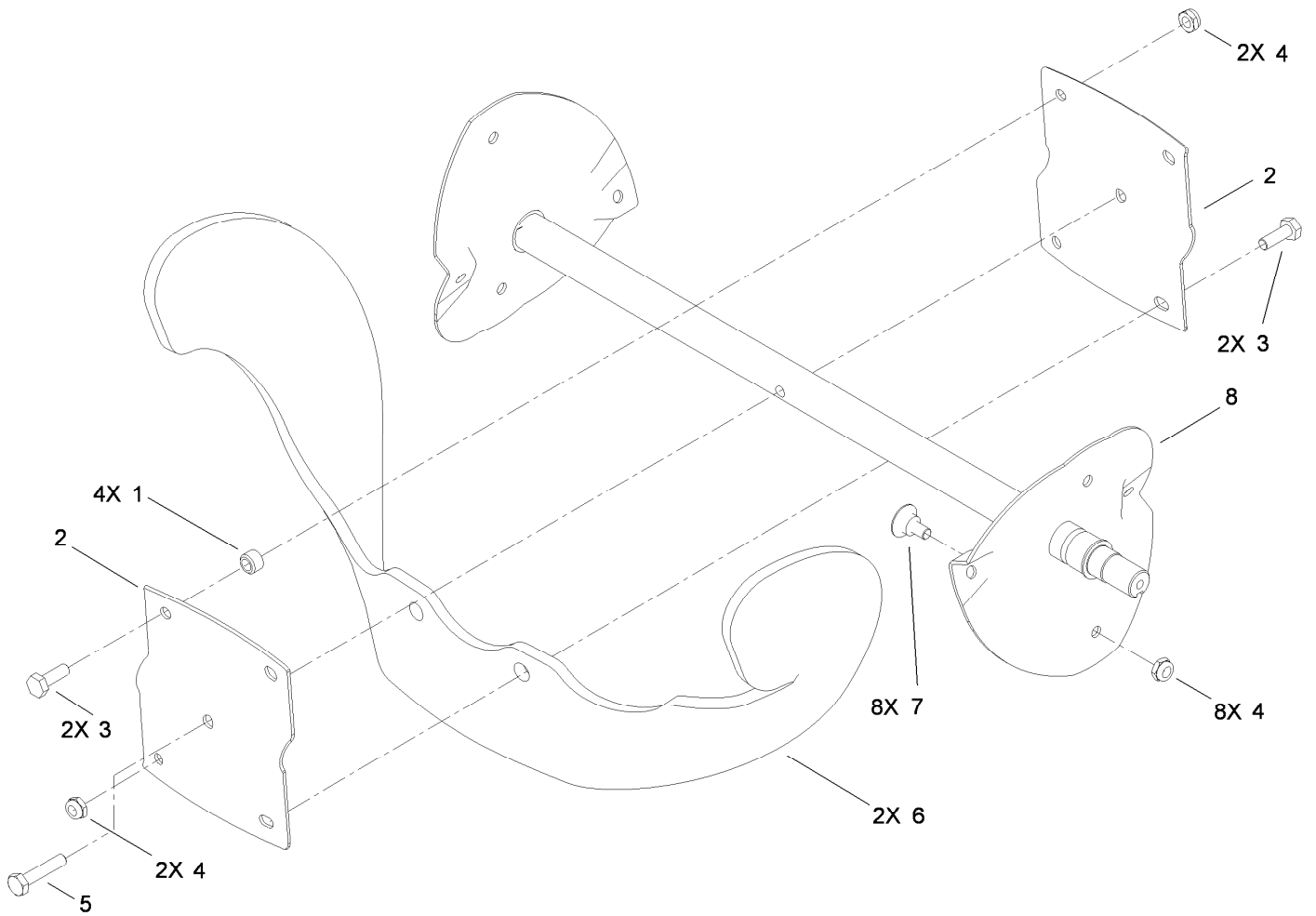
Ref.	Part Number	Qty.	Description
1	107069	2	Clip
2	32144-11	6	Screw-HWHTF
3	32144-86	3	Screw-HWHTF
4	108-4943	2	Flange-Bearing
5	110-9380	1	Screw-HWH
6	56-6590	2	Bolt-Wheel
7	3296-39	2	Nut-Lock, NI
8	108-4884	1	Blade-Scraper
9	114-3781	1	Spacer-Bearing, RH
10	110-9353	1	Washer-Rubber
11	100-1048	2	Bearing-Ball
12	52-7280	2	Washer-Thrust

Ref.	Part Number	Qty.	Description
13	32144-4	3	Screw-HWH
14	108-4868-03	1	Housing-Auger
15	94-4496	1	Screw-PPH
16	108-4905	1	Brace-Frame
17	108-4919	1	Guide-Cable, Clutch
18	108-4906	2	Spring-Extension
19	46-8091	3	Screw-HWH
20	108-4871	1	Chute-Lower
21	117-2309	2	Wheel ASM
22	32112-14	2	Nut-Push
23	32144-85	3	Screw-HWH
24	108-4893-03	1	Cover-Belt



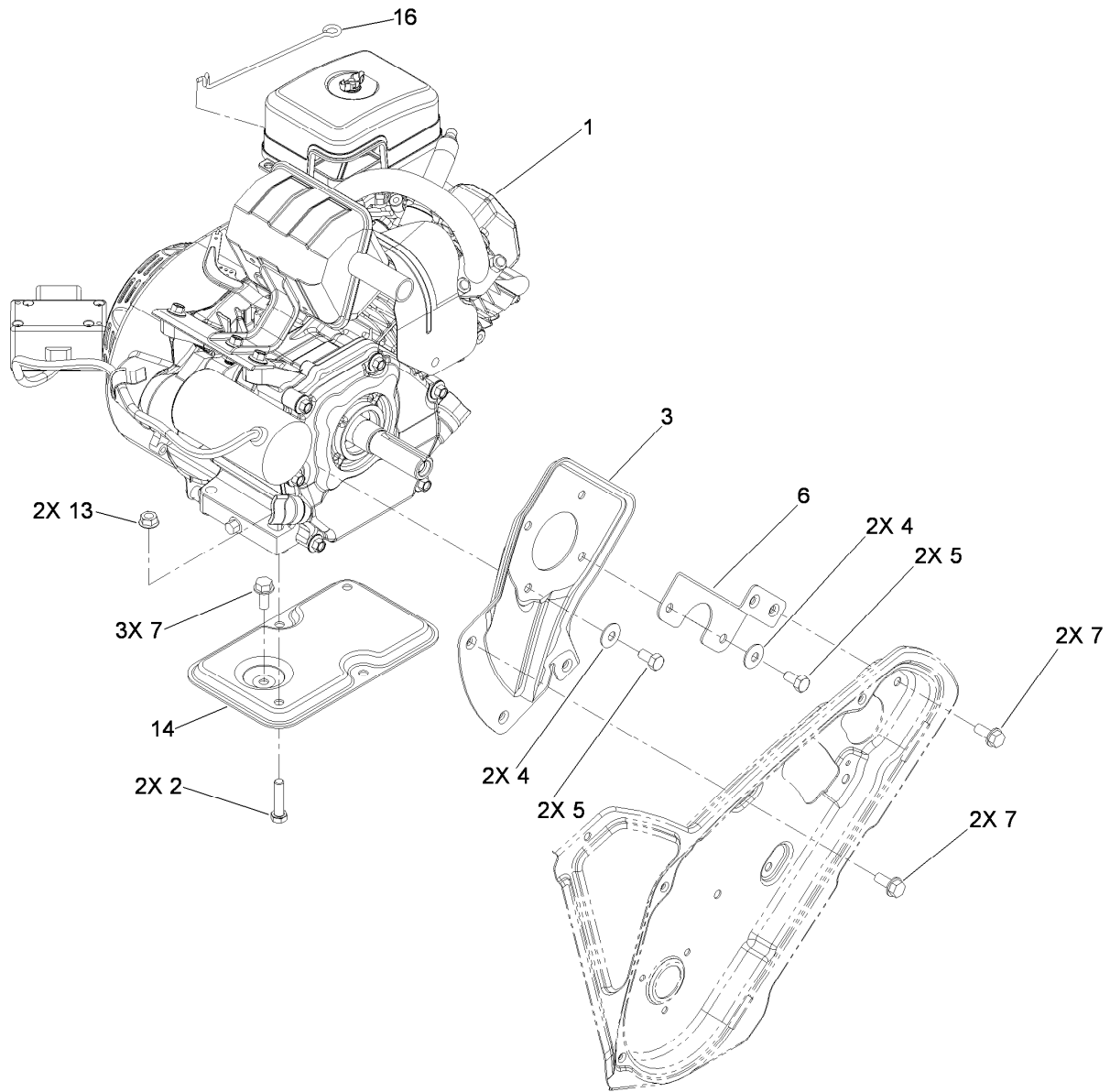
Rotor Drive Assembly

<i>Ref.</i>	<i>Part Number</i>	<i>Qty.</i>	<i>Description</i>	<i>Ref.</i>	<i>Part Number</i>	<i>Qty.</i>	<i>Description</i>
1	3234-29	1	Screw-HHF	12	323-29	1	Screw-HH
2	108-4938	1	Clip-Spring, Brake	13	114-3785	1	Pulley-Idler
3	108-4925	1	Washer	14	115-5682	1	Cable-Clutch
4	108-4916	1	Bushing-Pivot	15	114-3782	1	Arm-Idler
5	3296-29	1	Nut-Lock, NI	16	32152-2	1	Nut-Lock, Cone
6	107-9287	1	Rotor Pulley ASM	17	121-6630	1	Spring-Extension
7	3290-456	1	Washer-Belleville	18	108-4934	1	Pulley-Engine
8	110-9381	1	Screw-HH	19	3245-32	1	Screw-HSH
11	108-4921	1	Belt-Drive	20	3241-7	1	Screw-SQH



Rotor Assembly

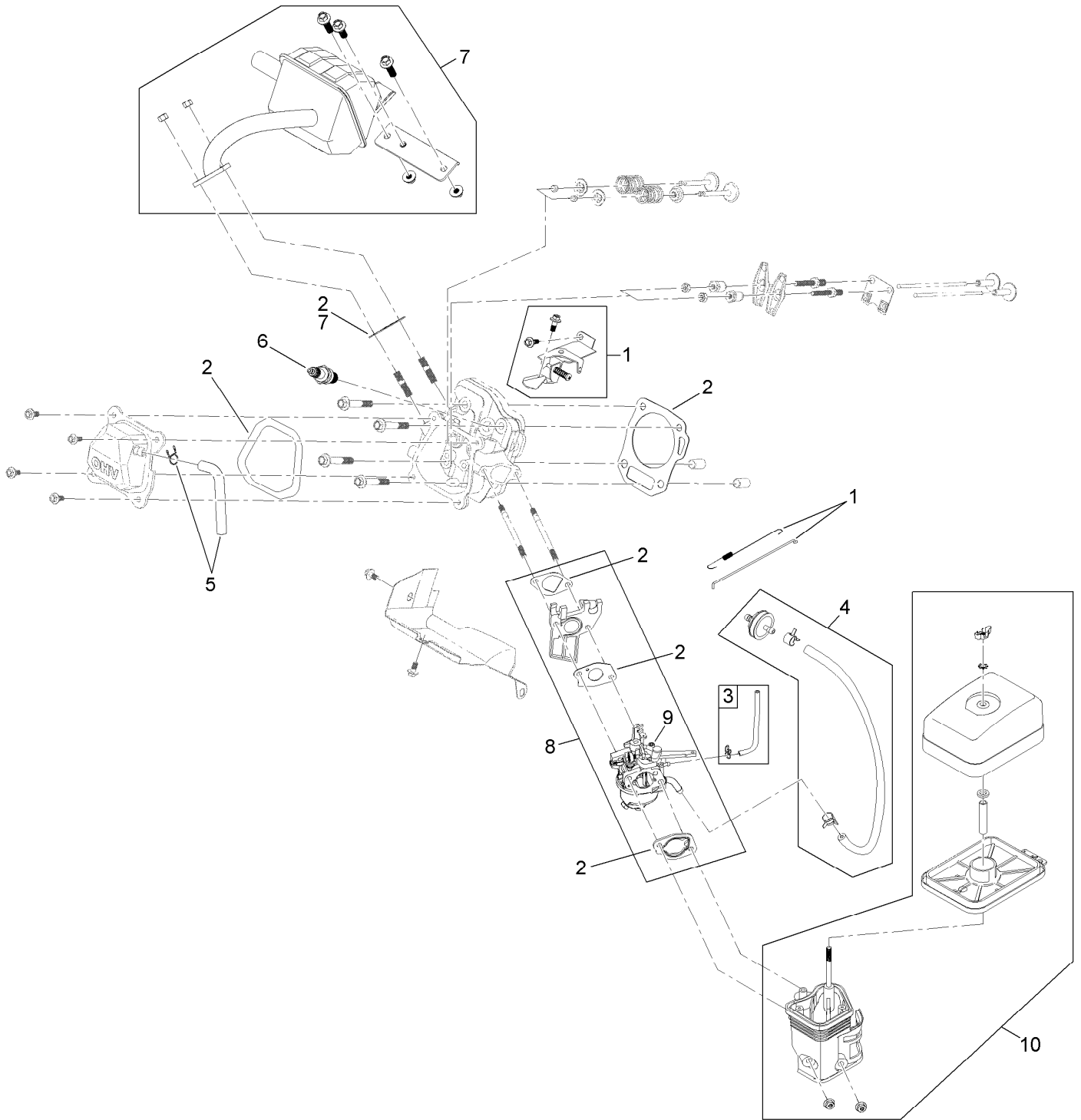
Ref.	Part Number	Qty.	Description
1	55-9370	4	Spacer-Blade, Rotor
2	66-6600-03	2	Half-Rotor
3	321-4	4	Screw-HH
4	3296-56	13	Nut-Lock, NI
5	321-8	1	Screw-HH
6	99-9313	2	Blade-Rotor
7	84-1971	8	Screw
8	108-4894-03	1	Rotor



Engine Assembly

Ref.	Part Number	Qty.	Description
1	119-1976	1	Engine-Lc168Fds-1
2	322-17	2	Screw-HH
3	108-4892-03	1	Plate-Engine, PTO
4	3290-456	4	Washer-Belleville
5	33114-016	4	Screw-HH
6	110-9354-03	1	Support-Engine, Side
7	32144-11	7	Screw-HWHTF
13	32128-20	2	Nut-HF
14	117-6037-03	1	Support-Engine
16	117-6040	1	Link-Knob, Choke

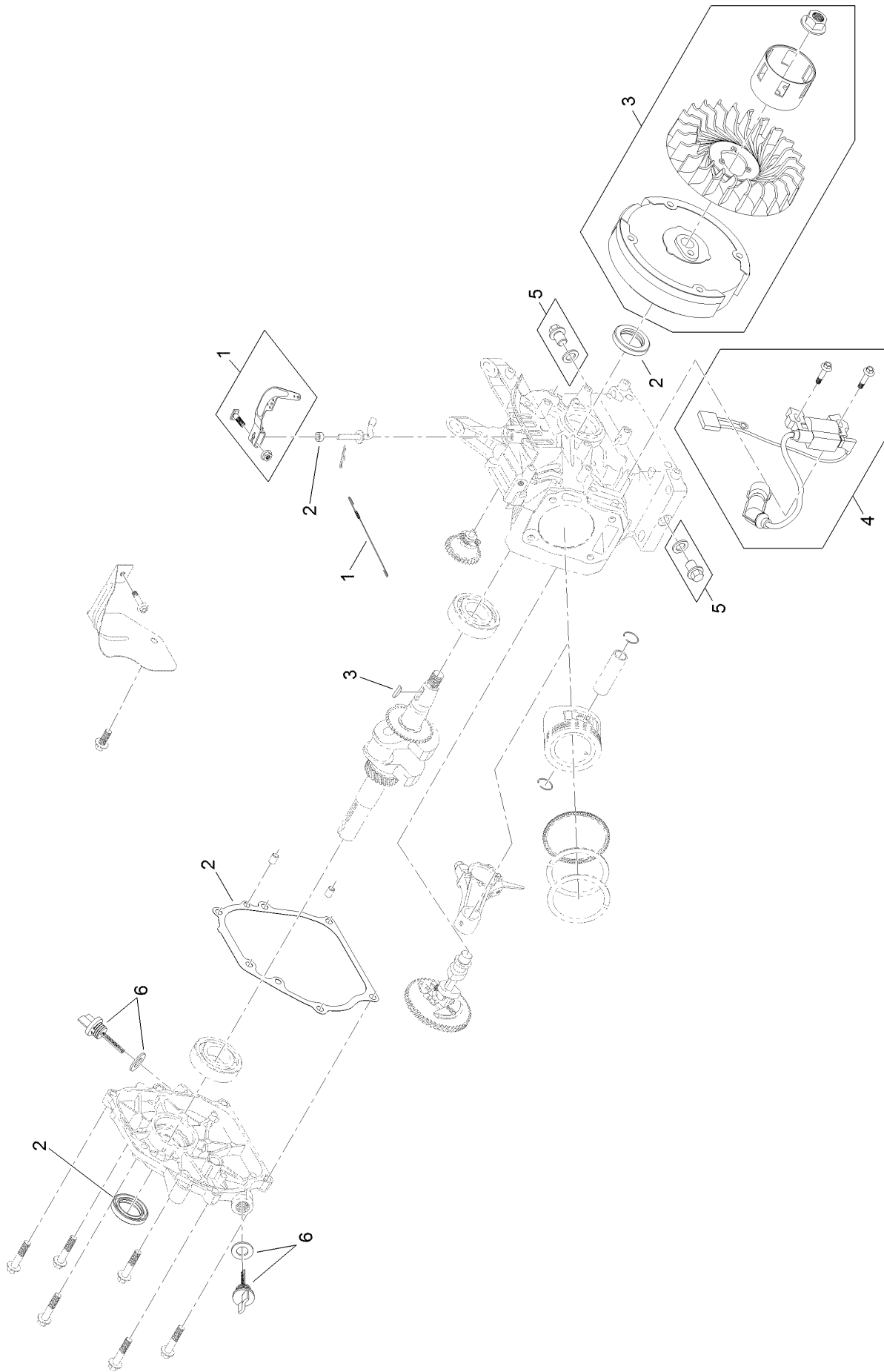
Engine Assembly No. 1



Engine Assembly No. 1 (continued)

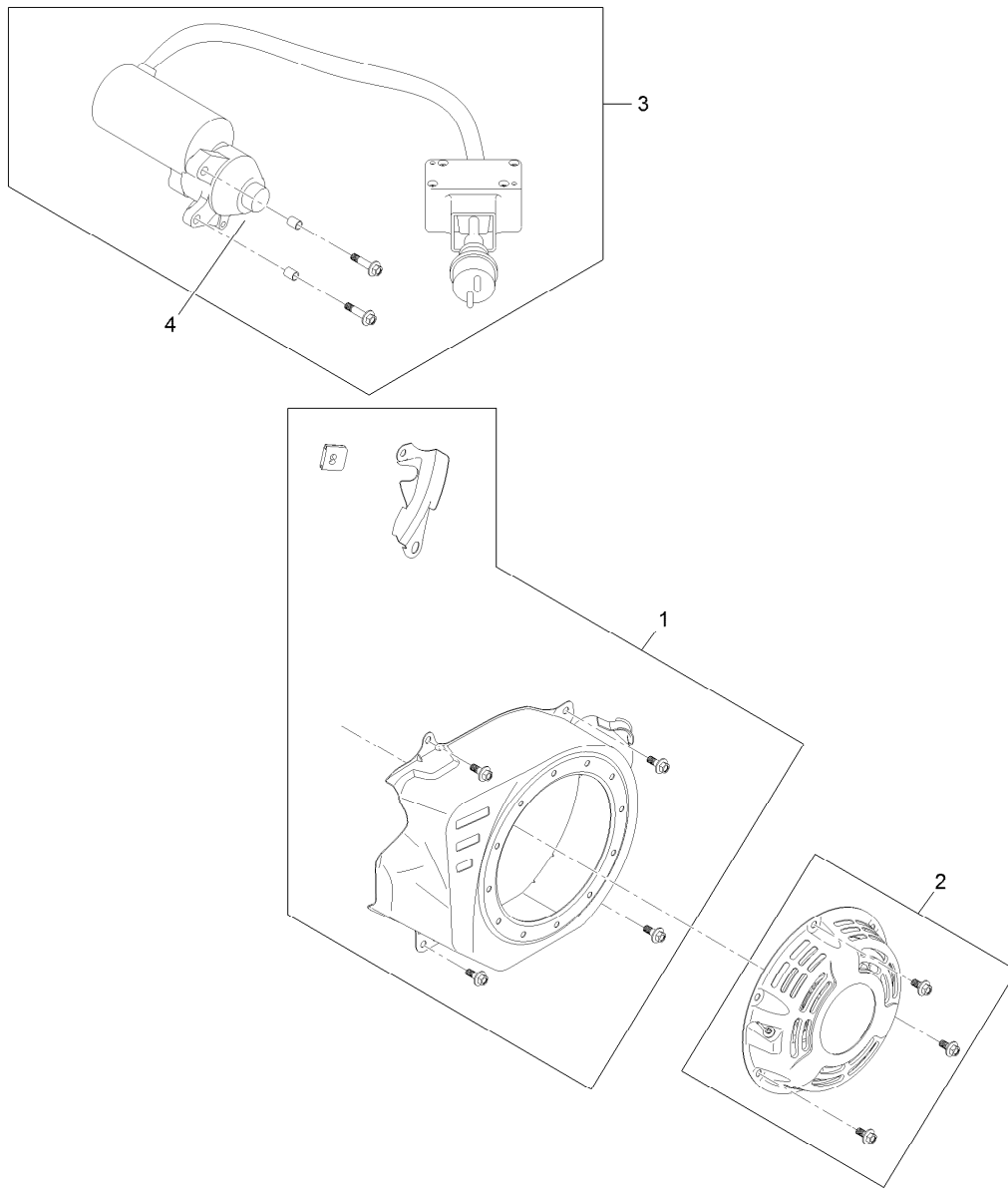
<i>Ref.</i>	<i>Part Number</i>	<i>Qty.</i>	<i>Description</i>	<i>Ref.</i>	<i>Part Number</i>	<i>Qty.</i>	<i>Description</i>
1	119-1957	1	Governor Kit	7	119-1954	1	Muffler Kit
2	119-1955	1	Gasket And Seal Kit	8	120-4418	1	Complete Carburetor Service Kit
3	119-1949	1	Primer Line Kit	9	120-4416	1	Carb Float, Valve And Gasket Kit
4	120-4402	1	Fuel Line Kit	10	119-1950	1	Heater Box Kit
5	119-1921	1	Breather Tube Kit				
6	119-1901	1	Spark Plug				

Engine Assembly No. 2



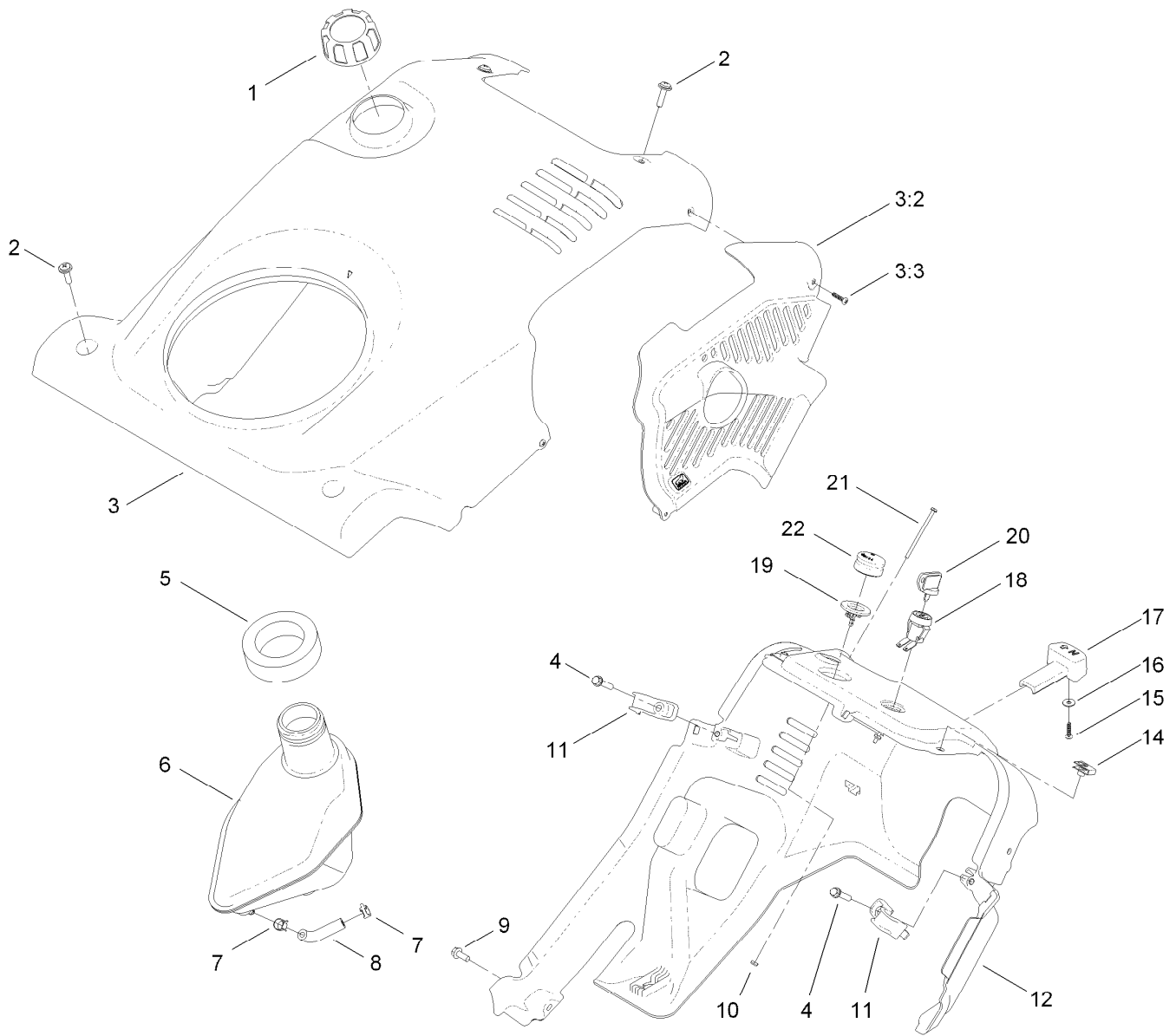
Engine Assembly No. 2 (continued)

<i>Ref.</i>	<i>Part Number</i>	<i>Qty.</i>	<i>Description</i>	<i>Ref.</i>	<i>Part Number</i>	<i>Qty.</i>	<i>Description</i>
1	119-1957	1	Governor Kit	4	119-1959	1	Ignition Kit
2	119-1955	1	Gasket And Seal Kit	5	119-1923	2	Drain Plug Kit
3	119-1958	1	Flywheel Kit	6	119-1944	2	Dipstick And O-Ring Kit



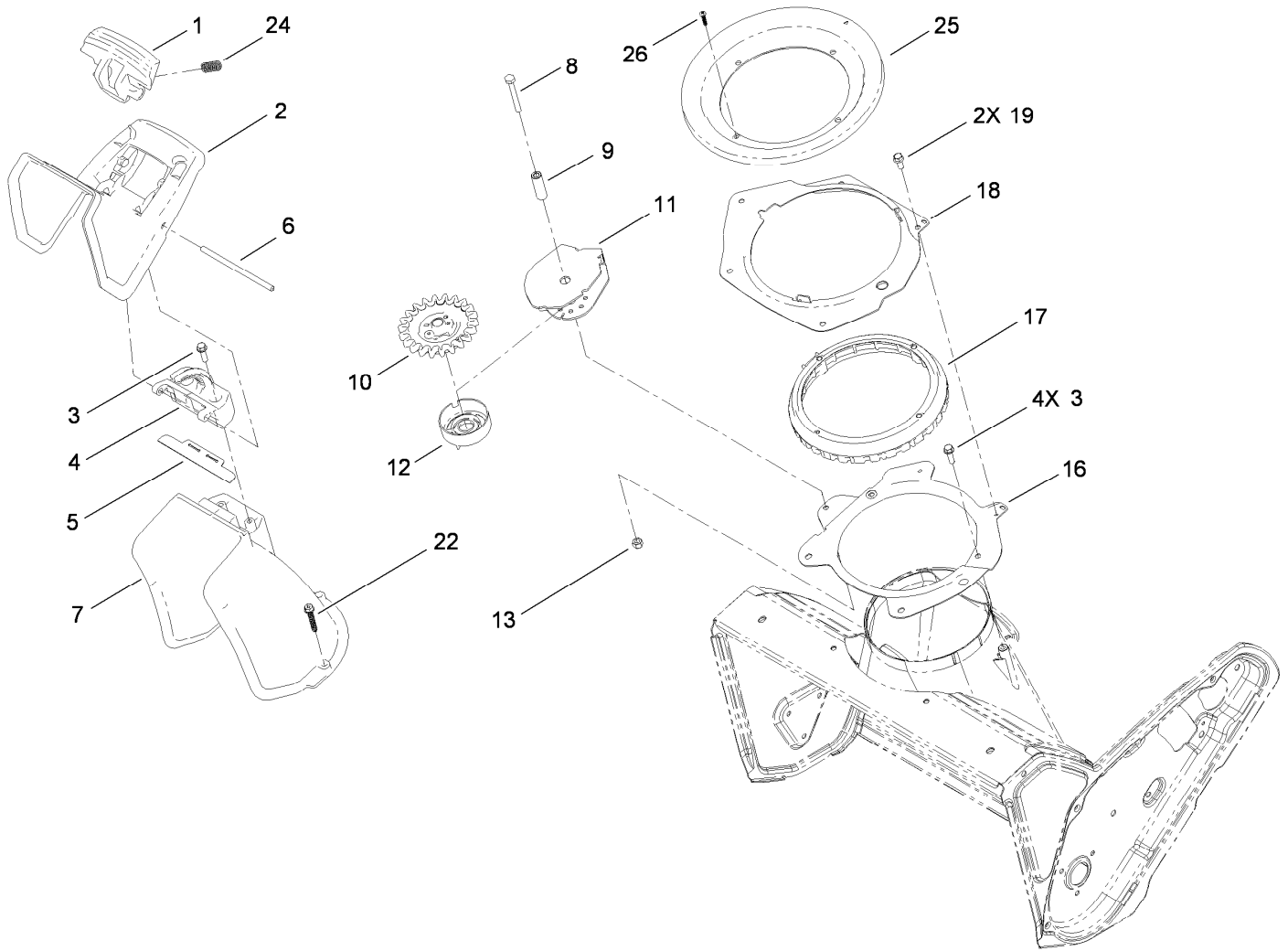
Engine Assembly No. 3

<i>Ref.</i>	<i>Part Number</i>	<i>Qty.</i>	<i>Description</i>
1	119-1946	1	Blower Shroud Kit
2	119-1945	1	Recoil Kit
3	119-1979	1	Electric Starter Kit
4	119-1956	1	Pinion Kit



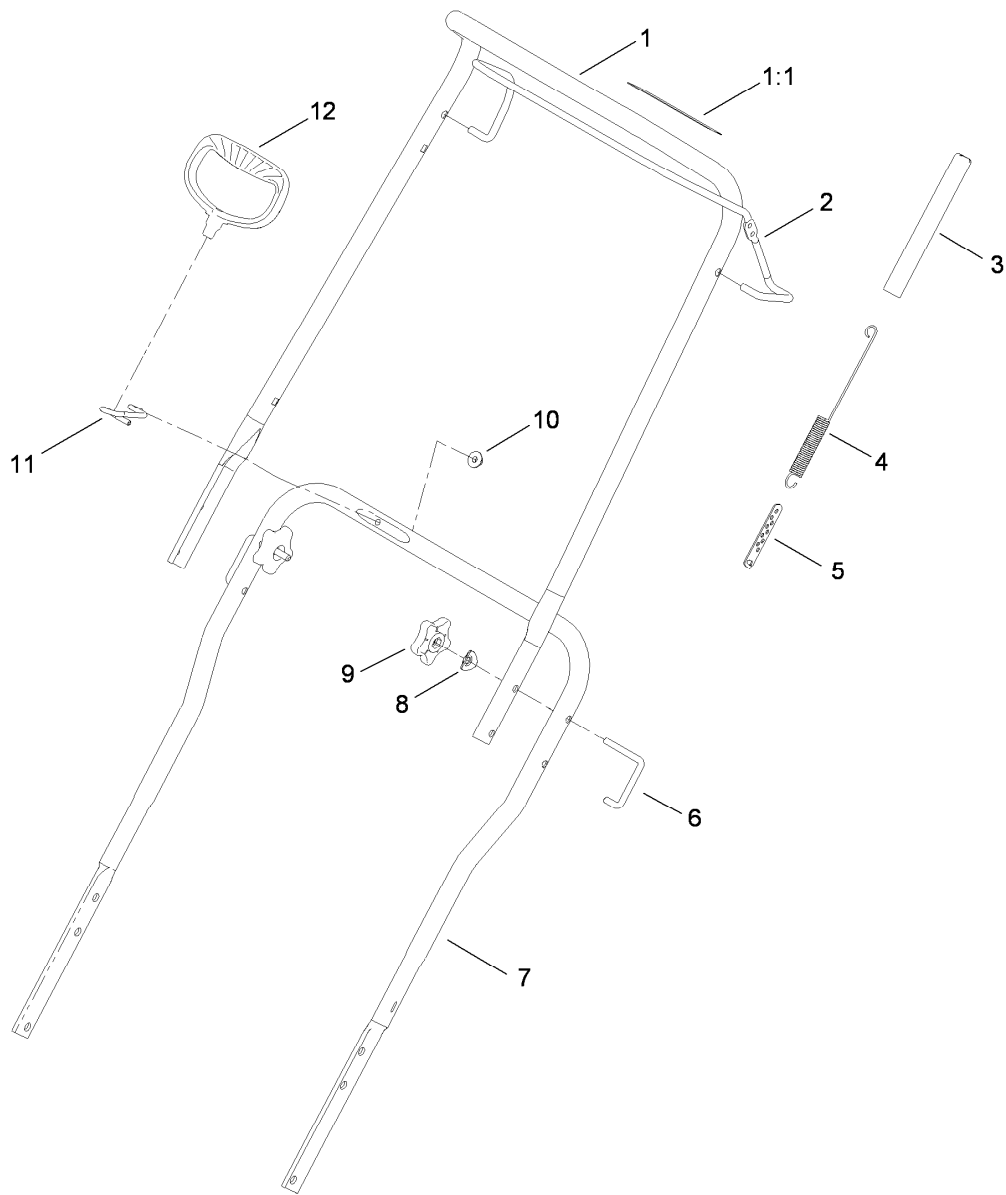
Shroud Assembly

Ref.	Part Number	Qty.	Description	Ref.	Part Number	Qty.	Description
1	114-3764	1	4-Cycle Gas Cap ASM	11	108-4947	2	Clip-Shroud
2	110-9361	4	Screw-PPH, Sems	12	117-6046	1	Shroud-Lower
3	120-0101	1	Shroud ASM	14	107069	2	Clip
3:2	117-6035	1	Baffle-Exhaust, 4-Cycle	15	94-4496	1	Screw-PPH
3:3	94-4496	2	Screw-PPH	16	3256-49	1	Washer-Flat
4	46-8092	2	Screw-Plastite	17	117-9100	1	Knob-Choke
5	114-3773	1	Seal-Tank	18	40-5940	1	Switch
6	120-9848	1	Tank-Fuel, Gas	19	44-2750	1	Body-Primer
7	2412-98	2	Clamp-Hose	20	63-8360	1	Key-Ignition (W/Shield)
8	114-3765	1	Hose-Fuel	21	117-9106	2	Screw-HWH
9	32144-85	1	Screw-HWH	22	66-7460	1	Bulb-Primer
10	3296-9	2	Nut-Lock				



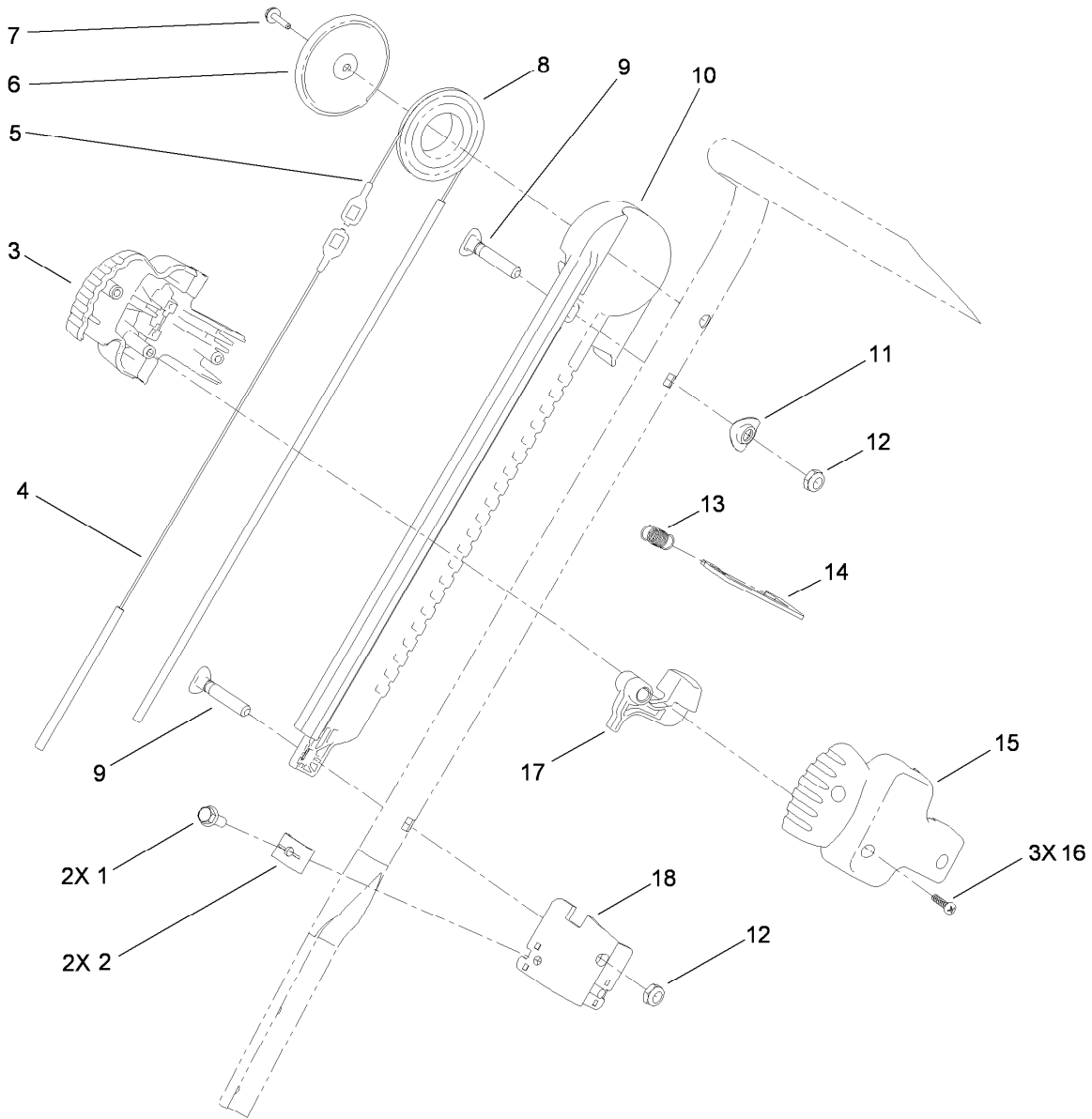
Chute Control Assembly

<i>Ref.</i>	<i>Part Number</i>	<i>Qty.</i>	<i>Description</i>	<i>Ref.</i>	<i>Part Number</i>	<i>Qty.</i>	<i>Description</i>
1	108-4941	1	Trigger-Deflector	12	114-3792	1	Retainer-Cable
2	117-9121	1	Deflector-Chute, Ce	13	3296-42	1	Nut-Lock, NI
3	46-8091	6	Screw-HWH	16	108-4883-03	1	Ring-Support, Chute
4	108-4942	1	Hinge-Ratchet, Deflector	17	108-4882	1	Ring-Chute, Gear
5	114-3790	1	Seal-Deflector	18	108-4874-03	1	Retainer-Ring, Chute
6	110-9368	1	Pin-Hinge, Deflector	19	32144-85	2	Screw-HWH
7	108-4939	1	Chute	22	108-4946	3	Screw-Plastite
8	321-18	1	Screw-HH	24	110-9360	2	Spring-Compression
9	108-4877	1	Spacer-Sleeve, Pinion	25	114-3772	1	Seal-Ring, Chute
10	108-4875	1	Pinion-Gear	26	94-4496	1	Screw-PPH
11	108-4900-03	1	Bracket-Pinion				



Upper Handle Assembly

Ref.	Part Number	Qty.	Description
1	114-3768	1	Upper Handle ASM
1:1	94-2577	1	Decal-Drive, Rotor
2	114-3780-03	1	Bail-Control
3	114-3796	1	Cover-Spring
4	108-4920	1	Spring-Extension
5	71-5330	1	Adjuster-Cable, Clutch
6	108-4887	2	Lock-Handle
7	108-4944-03	1	Handle-Lower
8	107-3844	2	Washer
9	114-3779	2	Knob-Handle
10	114-3778	1	Nut-Lock, NI
11	108-4949	1	Guide-Rope
12	117-9104	1	Handle-Recoil, Blue



Handle Chute Control Assembly

Ref.	Part Number	Qty.	Description	Ref.	Part Number	Qty.	Description
1	32144-85	2	Screw-HWH	10	108-4899	1	Track-Slider
2	106-7297	2	Clamp-Cable	11	107-3844	1	Washer
3	108-4912	1	Handle-Slider, RH	12	3296-47	2	Nut-Lock, NI
4	108-4897	1	Cable-Chute, Short	13	108-4914	1	Spring-Trigger
5	108-4898	1	Cable-Chute, Long	14	108-4908	1	Plate-Lock, Chute
6	108-4931	1	Cover-Pulley	15	108-4911	1	Handle-Slider, LH
7	98-1375	1	Screw-HWH	16	94-4496	3	Screw-PPH
8	108-4907	1	Pulley-Slider	17	108-4913	1	Trigger
9	107-3018	2	Screw-Handle	18	108-4909	1	Bracket-Cable

Attachments and Accessories

For 38569 CCR 6053 ES Quick Clear Snowthrower

Product Name

Model/Part

5W30 Winter Oil, Case of 24 20-Ounce Bottles 38908

Notes:

Notes:



Count on it.