



Count on it.

Parts Catalog

**TITAN MX6080 Zero-Turn-Radius
Riding Mower**

Model No. 74873—Serial No. 312000001 and Up



Ordering Replacement Parts

To order replacement parts, please supply the part number, the quantity, and the description of each part desired.

Understanding Reference Numbers

Each identified part in an illustration has a reference number. The reference number for a part also appears in the parts list, along with other information about the part.

This catalog uses two special reference number formats, one to indicate parts in a service assembly and another to indicate the quantity of a given part in an illustration.

Service Assembly Reference Numbers

Parts in service assemblies have reference numbers in the form a:b. The a represents the reference number of the entire service assembly and the b represents a sequential number unique to each part within the service assembly.

For example, a wheel assembly might be identified by reference number 6, the tire by 6:1, the valve by 6:2, and the wheel by 6:3. When you order the assembly identified by reference number 6, you receive all parts identified by reference numbers 6:1, 6:2, and 6:3. However, you may also order any part individually. Reference numbers of this type appear in illustration and in parts lists.

Reference Numbers Indicating Quantity

In an illustration, if a reference number indicates more than one part, the reference number has the form nX y. The n represents the quantity of the part, the X is the multiplication symbol, and the y represents the reference number.

For example, in an illustration, the reference number 2X 37 means that two of the parts identified by reference number 37 are indicated.

List of Abbreviations

AR: as required

ASM: assembly

BBC: blade brake control

BHTF: button head thread forming

CARR: carriage

CCW: counter clockwise

CW: clockwise

DEG: degrees

DPA: Dual Point Adjustment

ECM: electronic control module

EXT: external

FH: flat head

GA: gauge

HD: heavy-duty

HF: hex flange

HH: hex head

HHF: hex head flange

HHFTF: hex head flange thread forming

HJ: hex jam

HLH: hex lag head

HOC: height-of-cut

HSBH: hex socket button head

HSFH: hex socket flat head

HSH: hex socket head

HWH: hex washer head

HWHTF: hex washer head thread forming

HYD: hydraulic

LH: left hand

LPG: Liquid Propane Gas

NI: nylon insert

NPTF: national pipe thread fine

PFH: phillips flat head

PPH: phillips pan head

PPHTF: phillips pan head thread forming

PRH: phillips round head

PTH: phillips truss head

PTO: power-take-off

RH: right hand

ROPS: roll-over protection system

RRB: rear roller brush

SFH: slotted fillister head

SHH: slotted hex head

SHWH: slotted hex washer head

SPH: slotted pan head

SQH: square head

SRH: slotted round head

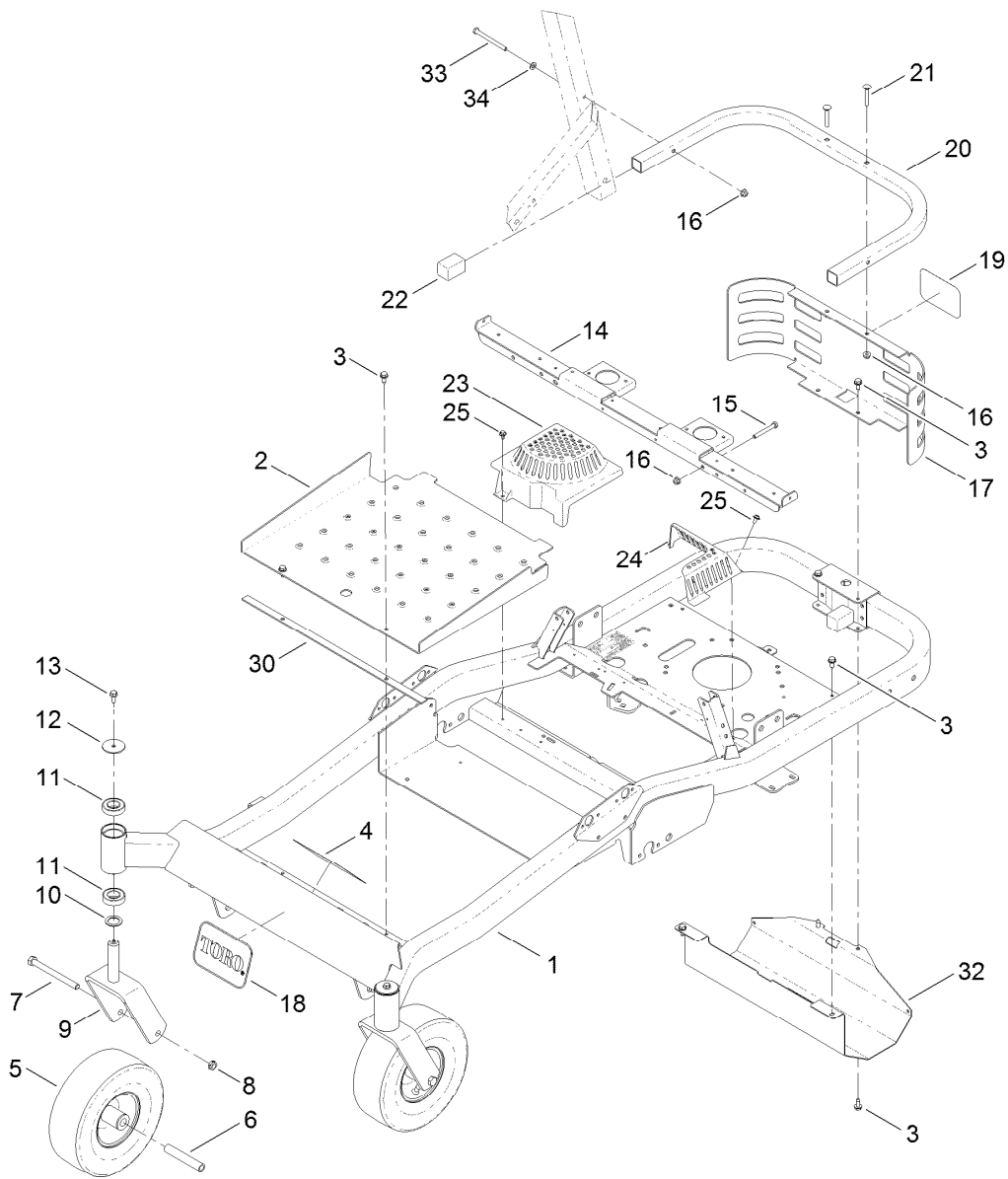
STD: standard

TAP: self tapping

TTH: torx truss head

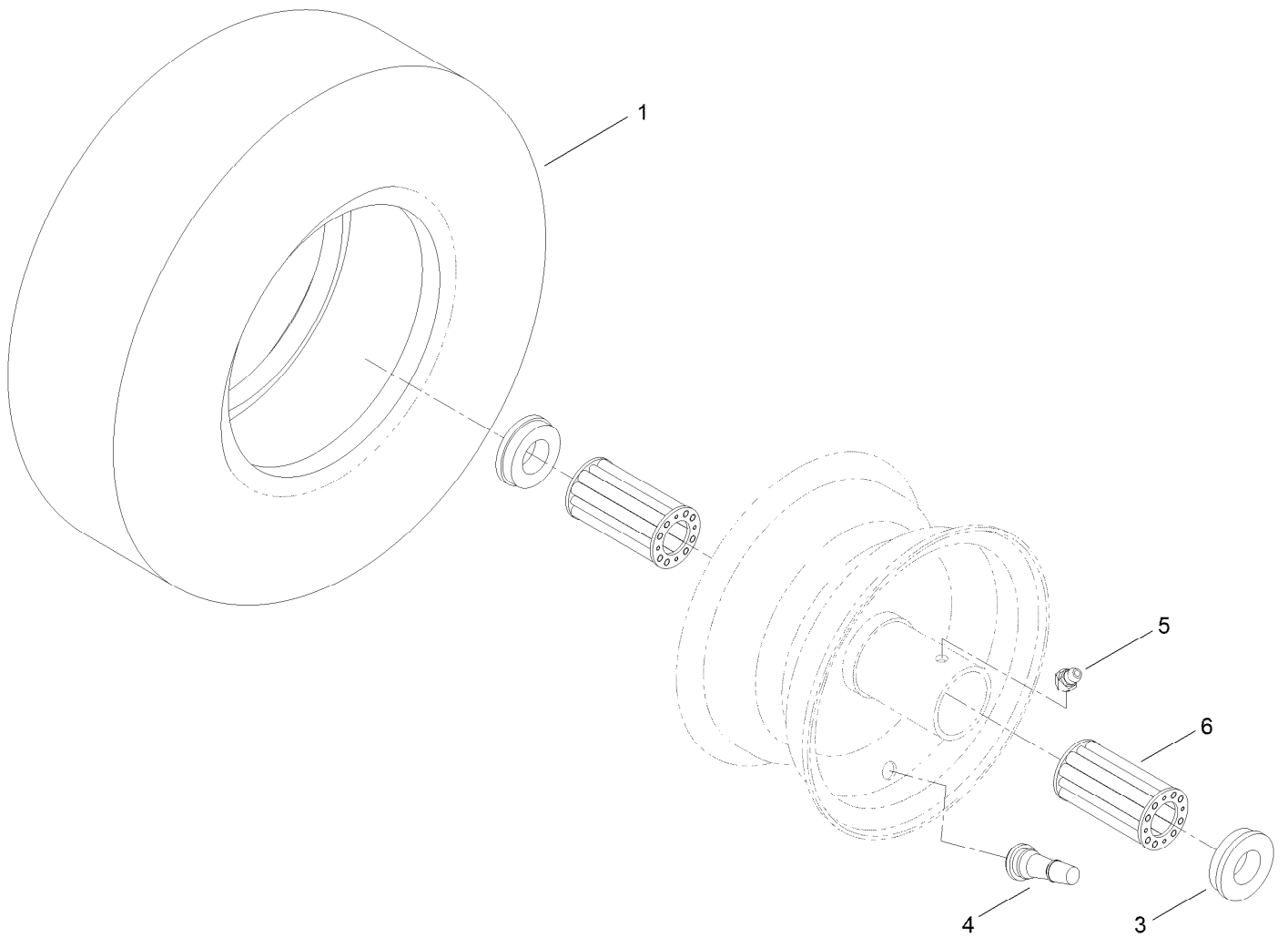
Contents

Main Frame Assembly	4
Wheel and Tire Assembly No. 120-5506	5
Body and Styling Assembly	6
Traction Drive Assembly	7
RH Hydro Transmission Assembly No. 119-8893	8
LH Hydro Transmission Assembly No. 119-8892	10
Motion Control Assembly	12
Seat Mount Assembly	14
Seat Assembly No. 121-5659	16
Armrest Kit Assembly No. 110-5719	17
Brake Link Assembly	18
Engine, Muffler and Clutch Assembly	19
Fuel Delivery Assembly	20
Multi Layer Fuel Tank Assembly No. 117-7352	21
Roll-Over Protection System Assembly	22
Electrical Assembly	23
Deck Lift Assembly	24
60 Inch Deck Assembly	25
60 Inch Deck and Decal Assembly No. 120-7149	26
60 Inch Deck Belt, Spindle and Blade Assembly	27
Attachments and Accessories	28



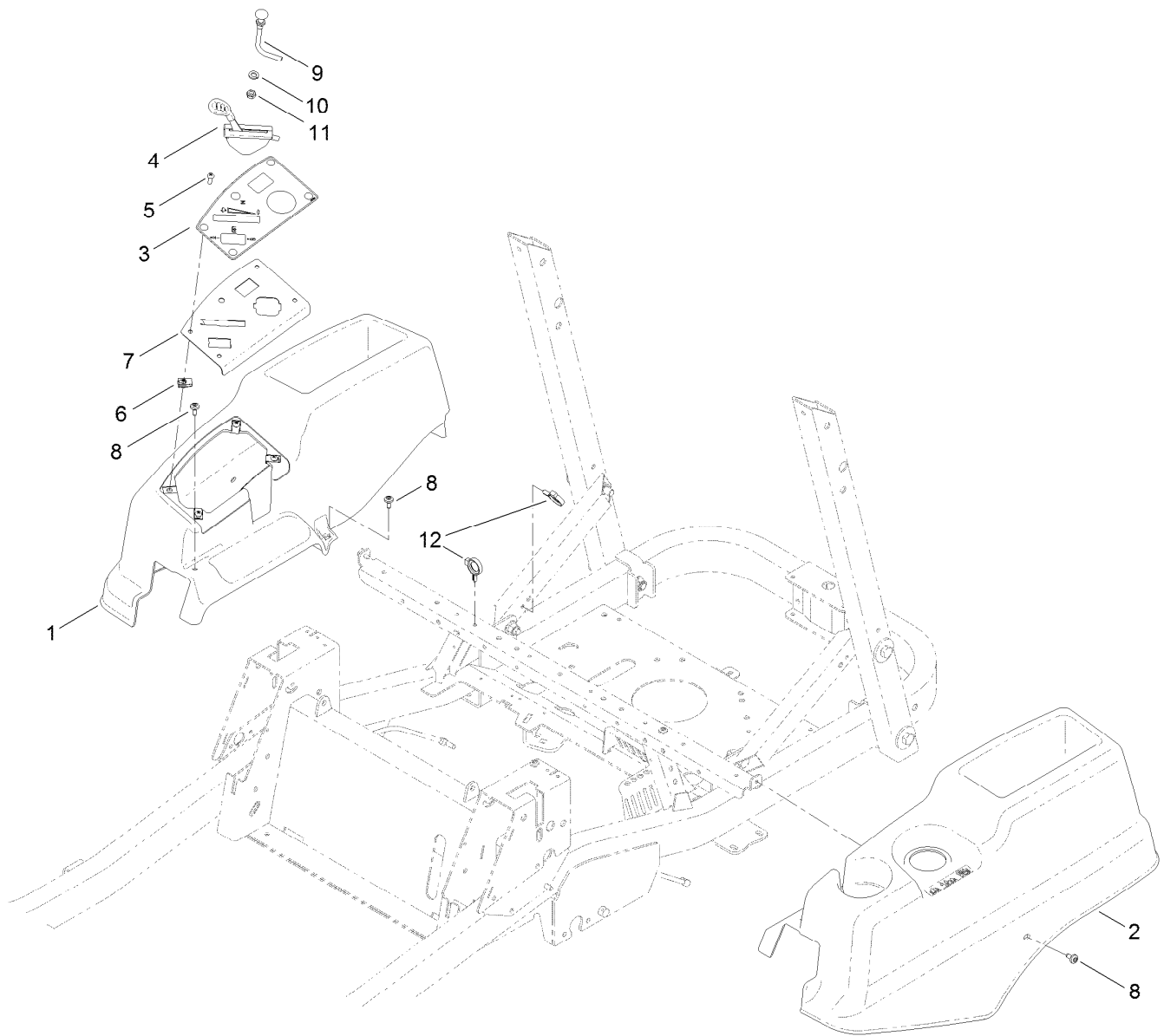
Main Frame Assembly

Ref.	Part Number	Qty.	Description	Ref.	Part Number	Qty.	Description
1	117-7356-01	1	Frame ASM	16	104-8300	6	Nut-Flange, NI
2	115-2531-05	1	Pan-Floor	17	120-2248-03	1	Guard-Rear
3	32144-70	8	Screw-HWHTF	18	62-5550	1	Decal
4	120-5466	1	Decal-Safety	19	105-8278	1	Decal
5	120-5506	2	Wheel And Tire ASM	20	121-0704-01	1	Tube-Guard
6	120-2228	2	Spacer-Spanner	21	3230-6	2	Screw-CARR
7	325-36	2	Screw-HH	22	121-2980	2	Cap
8	3296-45	2	Nut-Lock, NI	23	117-1241	1	Cover-Fan, RH
9	119-8923-01	2	Caster Fork ASM	24	117-1242	1	Cover-Fan, LH
10	10-8110	2	Washer-Thrust	25	46-8560	2	Screw-HHFTF
11	109-3678	4	Bearing-Ball	30	117-7238	1	Strip-Vibration, Anti
12	109-3724	2	Washer	32	120-2247-03	1	Guard-Muffer
13	3234-47	2	Screw-HHF	33	322-23	2	Screw-HH
14	117-7451-03	1	Seat Support ASM	34	3256-23	2	Washer-Flat
15	322-12	2	Screw-HH				



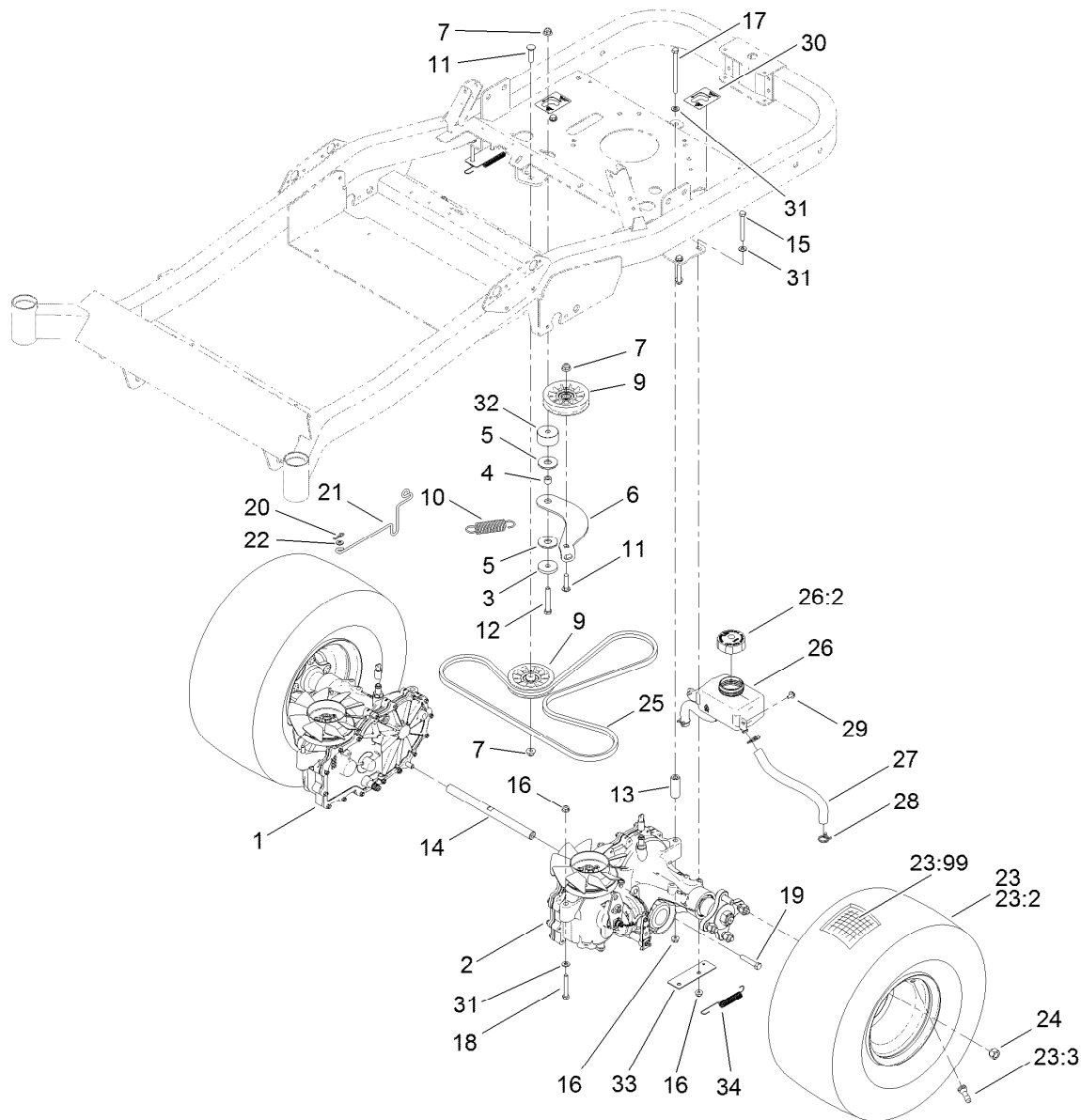
Wheel and Tire Assembly No. 120-5506

<i>Ref.</i>	<i>Part Number</i>	<i>Qty.</i>	<i>Description</i>
1	120-7115	1	Tire
3	120-7124	2	Bushing-Flange
4	5108	1	Valve
5	120-7125	1	Fitting-Zerk
6	83-4740	2	Bearing



Body and Styling Assembly

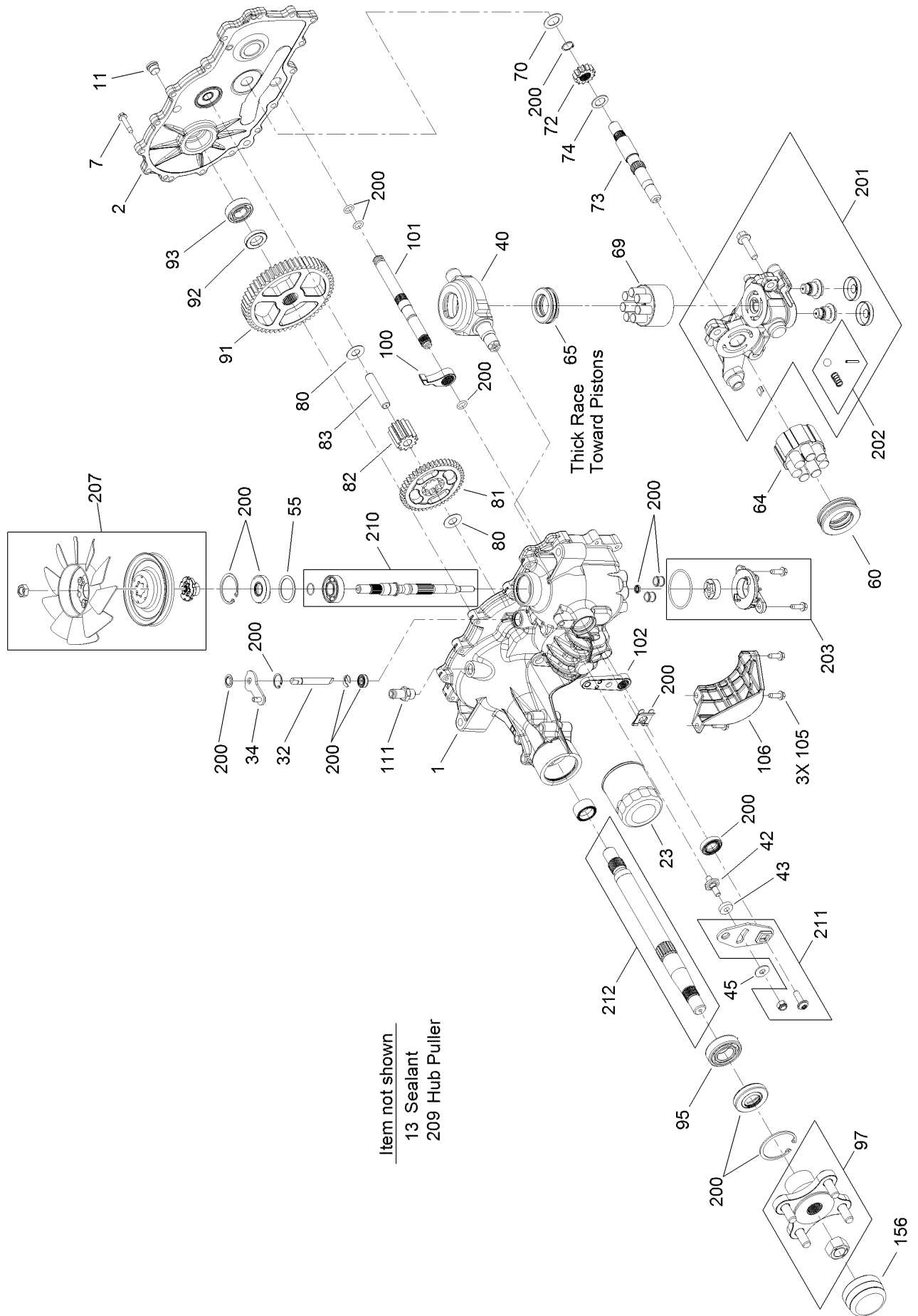
<i>Ref.</i>	<i>Part Number</i>	<i>Qty.</i>	<i>Description</i>
1	120-5488	1	Pod-RH
2	120-5489	1	Pod-LH
3	115-9632	1	Decal-Panel, Control
4	121-0770	1	Cable-Throttle
5	3258-166	4	Screw-PRH
6	107069	4	Clip
7	115-2591-03	1	Panel-Control
8	112-4004	6	Screw-Shoulder
9	120-2291	1	Cable-Choke
10	3253-21	1	Washer-Lock
11	3220-3	1	Nut-HJ
12	105-1853	2	Clamp-Hose



Traction Drive Assembly

<i>Ref.</i>	<i>Part Number</i>	<i>Qty.</i>	<i>Description</i>	<i>Ref.</i>	<i>Part Number</i>	<i>Qty.</i>	<i>Description</i>
1	119-8893	1	RH Hydro Transmission ASM	20	1-806003	2	Pin-Cotter, Hair
2	119-8892	1	LH Hydro Transmission ASM	21	115-4990	2	Rod-Bypass
3	110-9981	1	Washer-Plain	22	3256-22	2	Washer-Flat
4	115-4986	1	Spacer	23	120-5482	2	Wheel And Tire ASM
5	114-0463	2	Washer-Friction, Composite	23:2	120-5483	1	Tire-Turfmaster
6	117-5350	1	Arm-Idler	23:3	232-27	1	Stem-Valve
7	104-8301	3	Nut-Flange, NI	23:99	105-4070	1	Tube-Inner
9	109-3397	2	Pulley-Idler, Flat	24	242-50	8	Nut-Lug
10	1-603402	1	Spring-Extension	25	115-9613	1	V-Belt
11	3231-4	2	Screw-CARR	26	115-9618	1	HYD Reservoir ASM
12	323-12	1	Screw-HH	26:2	109-3320	1	Cap-Reservoir, HYD
13	109-3652	2	Spacer-Hydro	27	115-4969	2	Hose-Overflow
14	115-2559	1	Shaft-Cross, Hydro	28	117-1193	4	Clamp-Hose
15	322-13	4	Screw-HH	29	46-8560	2	Screw-HHFTF
16	104-8300	8	Nut-Flange, NI	30	117-1158	2	Decal-Bypass
17	322-38	2	Screw-HH	31	3256-23	8	Washer-Flat
18	322-11	2	Screw-HH	32	117-5351	1	Spacer
19	323-10	2	Screw-HH	33	117-7248-03	2	Plate-Spring
				34	110769	2	Spring-Extension

RH Hydro Transmission Assembly No. 119-8893



RH Hydro Transmission Assembly No. 119-8893 (continued)

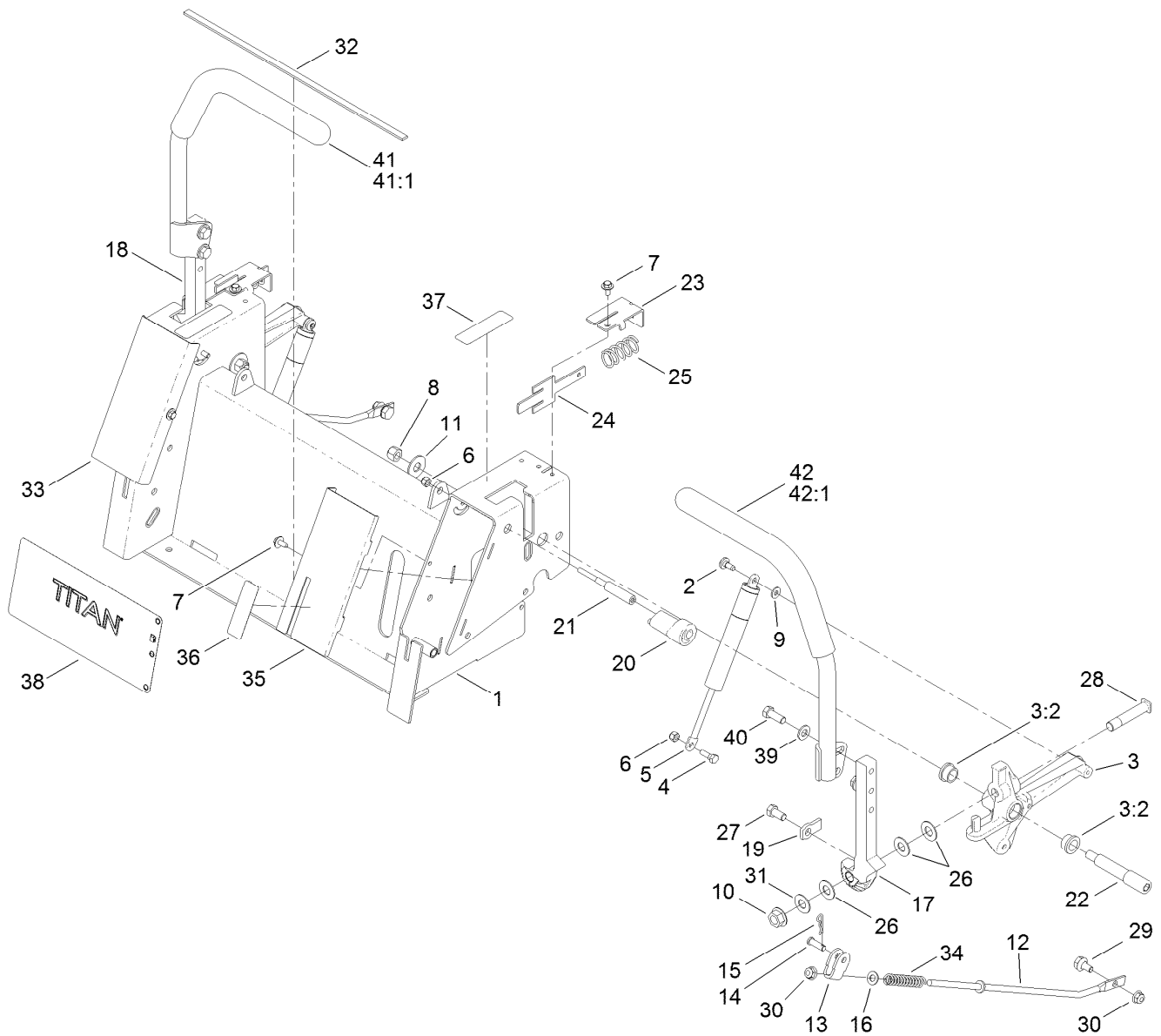
<i>Ref.</i>	<i>Part Number</i>	<i>Qty.</i>	<i>Description</i>	<i>Ref.</i>	<i>Part Number</i>	<i>Qty.</i>	<i>Description</i>
1	114-1676	1	Main Housing Kit	83	104-5329	1	Pin-Jackshaft
2	117-5358	1	Housing Side Kit	91	114-1694	1	Gear-54T
7	117-5359	16	Screw-HHF	92	120-7975	1	Spacer
11	104-2189	1	Plug-Thread, Straight	93	114-1696	1	Bearing-Ball
13	104-2147	1	Sealant ●	95	120-7976	1	Bearing-Ball
23	109-3321	1	Element-Oil Filter, HYD	97	109-5939	1	Hub Kit
32	114-1685	1	Rod-Bypass	100	114-1697	1	Pawl-Brake
34	107-2490	1	Arm-Bypass	101	120-7977	1	Brake Shaft Kit
40	104-5304	1	Swashplate-Trunnion	102	125-0021	1	Handle, Brake
42	104-2116	1	Stud	105	104-2120	3	Screw
43	112-9853	1	Puck-Friction	106	120-7981	1	Guard-Filter, RH
45	114-8491	1	Washer	111	109-3278	1	Adapter-Straight
55	104-5308	1	Spacer	156	115-5057	1	Cover-Nut, Axle
60	109-2865	1	Bearing-Thrust	200	109-3537	1	Complete Seal Kit ●
64	114-1689	1	Motor Cylinder Block Kit	201	120-7982	1	RH Charge, Center Section Kit
65	94-6922	1	Bearing-Thrust	202	114-8464	1	Charge Relief Kit
69	110-8561	1	Pump Block ASM	203	114-8465	1	Charge Kit
70	104-5339	1	Washer-Flat	207	125-0059	1	Kit, Fan And Pulley
72	120-7972	1	Gear-13T	209	114-8467	1	Hub-Puller, 4 Bolt ●
73	114-1691	1	Shaft-Motor	210	117-5361	1	Shaft Input Kit
74	104-5360	1	Washer	211	117-5362	1	Arm Control Kit
80	94-1933	2	Washer	212	114-8470	1	Axle Shaft Kit
81	120-7973	1	Gear-46T				
82	120-7974	1	Gear-11T				

● Not illustrated

LH Hydro Transmission Assembly No. 119-8892 (continued)

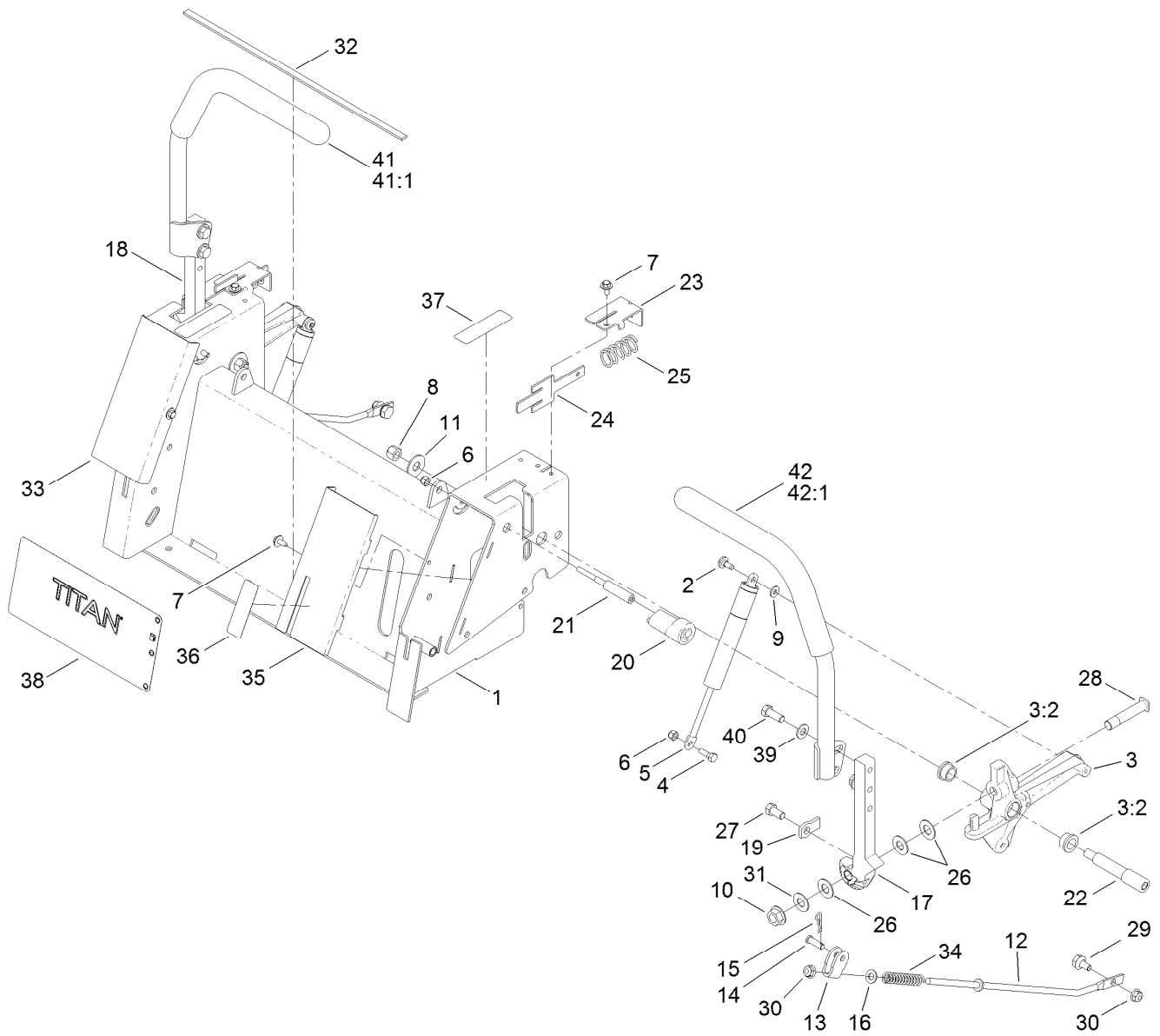
<i>Ref.</i>	<i>Part Number</i>	<i>Qty.</i>	<i>Description</i>	<i>Ref.</i>	<i>Part Number</i>	<i>Qty.</i>	<i>Description</i>
1	114-8471	1	Main Housing Kit	83	104-5329	1	Pin-Jackshaft
2	114-8472	1	Side Cover Kit	91	114-1694	1	Gear-54T
7	117-5359	16	Screw-HHF	92	120-7975	1	Spacer
11	104-2189	1	Plug-Thread, Straight	93	114-1696	1	Bearing-Ball
13	104-2147	1	Sealant ●	95	120-7976	1	Bearing-Ball
23	109-3321	1	Element-Oil Filter, HYD	97	109-5939	1	Hub Kit
32	114-1685	1	Rod-Bypass	100	114-1697	1	Pawl-Brake
34	107-2490	1	Arm-Bypass	101	120-7977	1	Brake Shaft Kit
40	104-5304	1	Swashplate-Trunnion	102	125-0021	1	Handle, Brake
42	104-2116	1	Stud	105	104-2120	3	Screw
43	112-9853	1	Puck-Friction	106	120-7979	1	Guard-Filter, LH
45	114-8491	1	Washer	111	109-3278	1	Adapter-Straight
55	104-5308	1	Spacer	156	115-5057	1	Cover-Nut, Axle
60	109-2865	1	Bearing-Thrust	200	109-3537	1	Complete Seal Kit ●
64	114-1689	1	Motor Cylinder Block Kit	201	120-7980	1	LH Charge Center Section Kit
65	94-6922	1	Bearing-Thrust	202	114-8464	1	Charge Relief Kit
69	110-8561	1	Pump Block ASM	203	114-8465	1	Charge Kit
70	104-5339	1	Washer-Flat	207	109-5938	1	Fan And Pulley Kit
72	120-7972	1	Gear-13T	209	114-8467	1	Hub-Puller, 4 Bolt ●
73	114-1691	1	Shaft-Motor	210	117-5361	1	Shaft Input Kit
74	104-5360	1	Washer	211	117-5362	1	Arm Control Kit
80	94-1933	2	Washer	212	114-8470	1	Axle Shaft Kit
81	120-7973	1	Gear-46T				
82	120-7974	1	Gear-11T				

● Not illustrated



Motion Control Assembly

Ref.	Part Number	Qty.	Description	Ref.	Part Number	Qty.	Description
1	117-7452-03	1	Control Box ASM	21	110-6874	2	Screw-Eccentric
2	112-4004	2	Screw-Shoulder	22	110-6875	2	Bolt-Shoulder
3	110-6828	2	Activator Arm ASM	23	110-6751	2	Bracket-Return
3:2	105-3455	2	Bushing	24	110-6750	2	Plate-Return
4	106-2214	2	Bolt-Shoulder	25	110-6752	2	Spring-Compression
5	109-2339	2	Damper-Control, Motion	26	110-6894	6	Washer-Pivot
6	3296-42	4	Nut-Lock, NI	27	323-4	2	Screw-HH
7	46-8560	4	Screw-HHFTF	28	110-6784	2	Bolt-Shoulder
8	3296-48	2	Nut-Lock, NI	29	37-8771	2	Bolt-Shoulder
9	119-8952	2	Washer	30	104-8300	4	Nut-Flange, NI
10	32128-23	2	Nut-HF	31	112-9771	2	Washer-Teflon
11	3256-5	2	Washer-Flat	32	117-7237	1	Strip-Vibration, Anti
12	117-7422	2	Rod-Control	33	117-1255-03	1	Cover-Control, RH
13	117-7423	2	Bracket-Control	34	1-603807	2	Spring-Return, Neutral
14	1-808280	2	Pin-Clevis	35	115-2561-03	1	Cover-Control, LH
15	1-806003	2	Pin-Cotter, Hair	36	115-9625	1	Decal
16	3256-23	2	Washer-Flat	37	99-8936	2	Decal-Control, Motion
17	110-6783-05	1	Arm-Actuator, LH	38	121-5686	1	Decal
18	110-6782-05	1	Arm-Actuator, RH	39	3256-24	4	Washer-Flat
19	115-5023	2	Tab-Stop	40	323-6	4	Screw-HH
20	110-6873	2	Eccentric	41	120-2207	1	RH Lever/Grip ASM



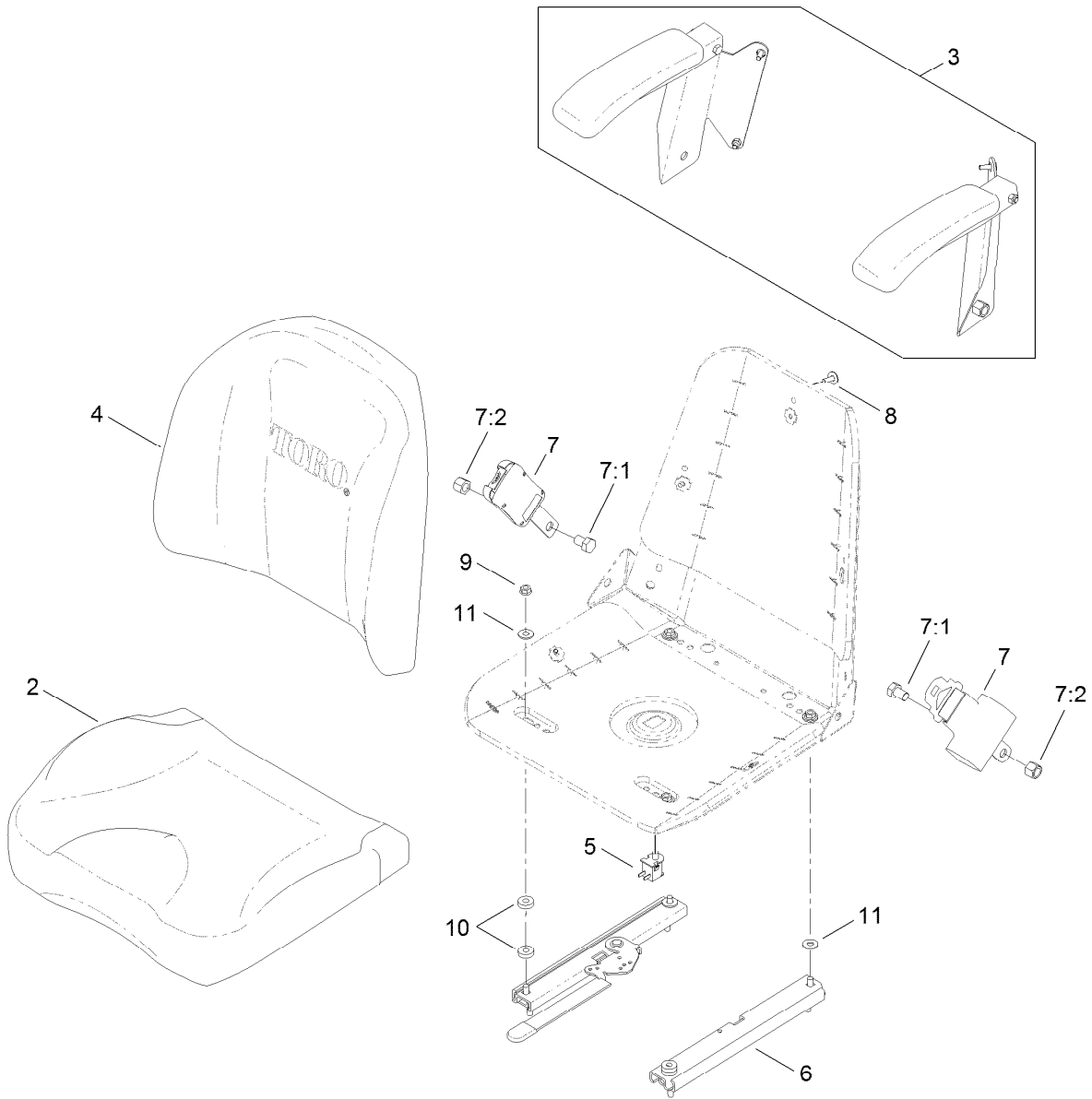
Motion Control Assembly (continued)

<i>Ref.</i>	<i>Part Number</i>	<i>Qty.</i>	<i>Description</i>
41:1	106-9987	1	Grip-Control, Motion

<i>Ref.</i>	<i>Part Number</i>	<i>Qty.</i>	<i>Description</i>
42	120-2208	1	LH Lever/Grip ASM
42:1	106-9987	1	Grip-Control, Motion

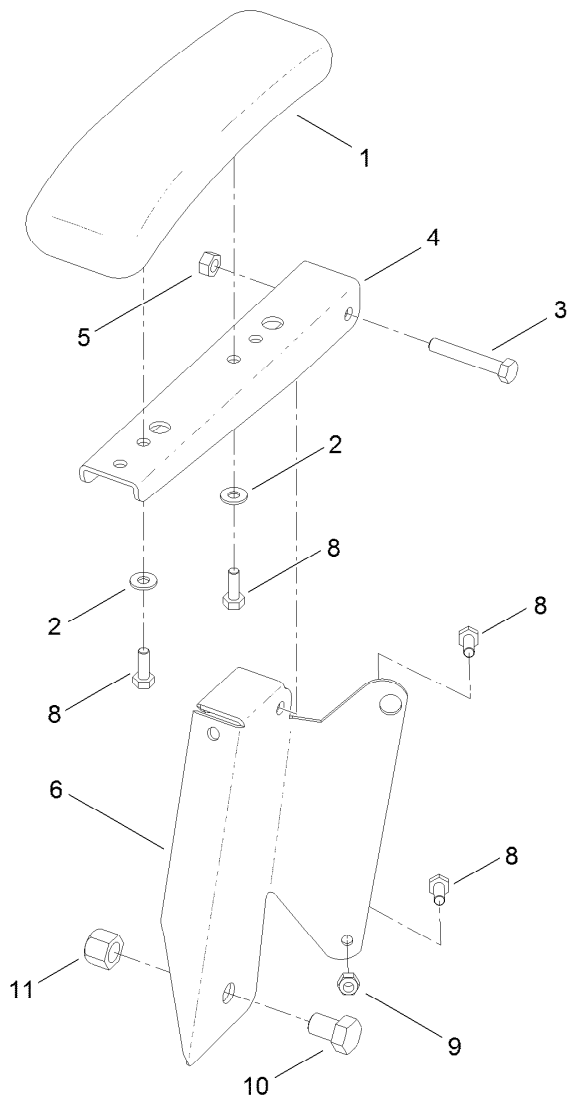
Seat Mount Assembly (continued)

<i>Ref.</i>	<i>Part Number</i>	<i>Qty.</i>	<i>Description</i>	<i>Ref.</i>	<i>Part Number</i>	<i>Qty.</i>	<i>Description</i>
1	117-7441-03	1	Seat Pan ASM	12	32144-70	8	Screw-HWHTF
2	117-7449-03	1	Seat Base ASM	13	323-20	1	Screw-HH
3	119-8918	1	Latch ASM	14	3256-24	1	Washer-Flat
4	109-9034	4	Isolator-Seat	15	323-4	1	Screw-HH
5	106-5891	2	Bumper	16	104-8300	4	Nut-Flange, NI
6	116-0070	1	Rod-Prop	17	100-1413	2	Pin-Clevis
7	107-0075	1	Bushing-Latch, Seat	18	3256-5	4	Washer-Flat
8	110-5831	1	Spring-Torsion	19	104-8301	6	Nut-Flange, NI
9	121-5659	1	Seat ASM	20	115-9630	1	Decal-Maintenance
10	103-4434	1	Grip-Lever	21	1-806003	2	Pin-Cotter, Hair
11	3296-56	2	Nut-Lock, NI				

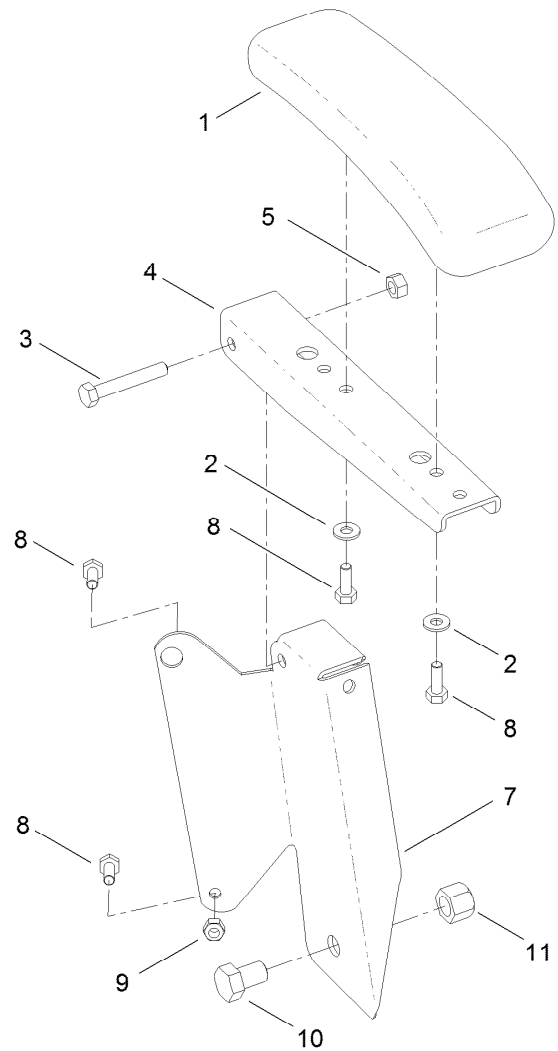


Seat Assembly No. 121-5659

Ref.	Part Number	Qty.	Description
2	121-4751	1	Cushion-Seat, Bottom
3	110-5719	1	Armrest Kit
4	121-4752	1	Cushion-Seat, Back
5	82-2190	1	Switch-Bail
6	121-5711	1	Track ASM
7	116-2981	1	Seat Belt Kit
7:1	325-2	2	Screw-HH
7:2	3296-23	2	Nut-Lock, NI
8	103-8383	7	Bolt-Seat
9	32128-20	4	Nut-HF
10	26-4840	4	Spacer-Pin, Mounting
11	3256-3	6	Washer-Flat



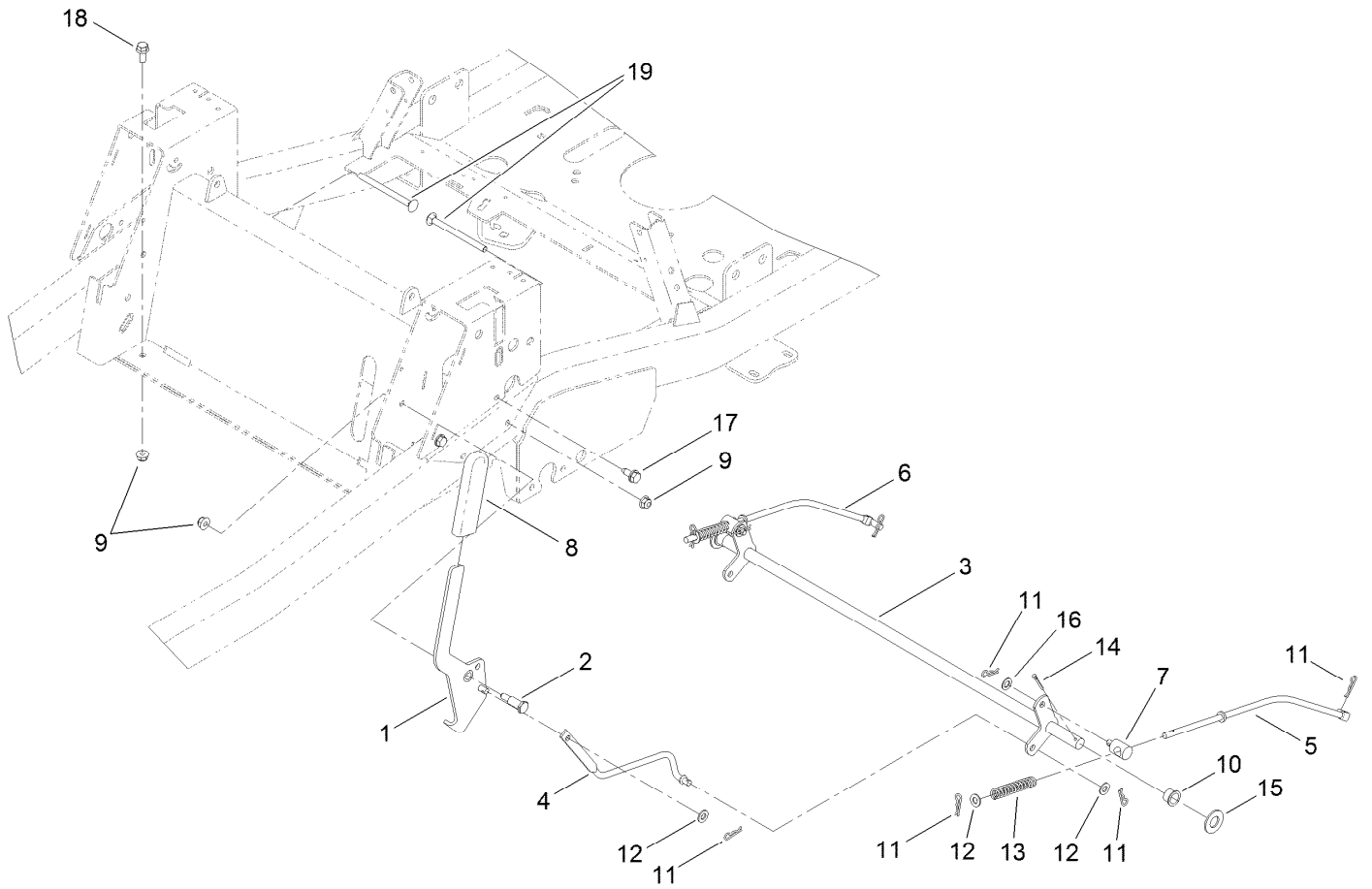
RH ARMREST ASSEMBLY



LH ARMREST ASSEMBLY

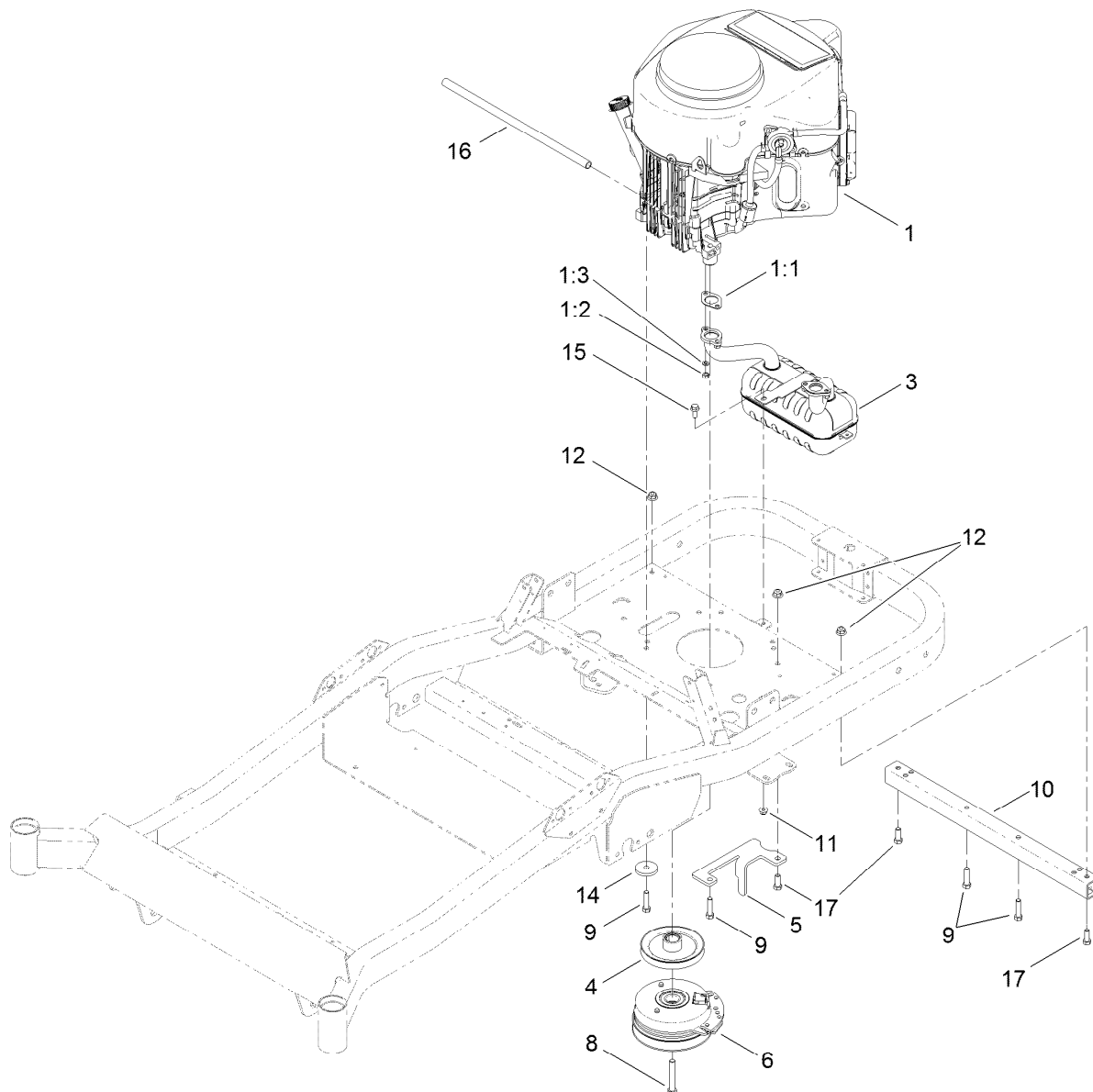
Armrest Kit Assembly No. 110-5719

Ref.	Part Number	Qty.	Description
1	110-4163	2	Cushion-Rest, Arm
2	3256-22	4	Washer-Flat
3	322-10	2	Screw-HH
4	105-3623	2	Channel-Armrest
5	32153-3	2	Nut-Hex, Side Deform
6	105-3621	1	Bracket-Armrest, RH
7	105-3622	1	Bracket-Armrest, LH
8	321-30	8	Screw-HH
9	3296-42	4	Nut-Lock, NI
10	325-2	2	Screw-HH
11	3296-23	2	Nut-Lock, NI



Brake Link Assembly

<i>Ref.</i>	<i>Part Number</i>	<i>Qty.</i>	<i>Description</i>	<i>Ref.</i>	<i>Part Number</i>	<i>Qty.</i>	<i>Description</i>
1	119-3460	1	Handle-Brake	11	1-806003	8	Pin-Cotter, Hair
2	63-2650	1	Screw-Shoulder	12	3256-23	4	Washer-Flat
3	115-5071-03	1	Brake-Bellcrank	13	1-603807	2	Spring-Return, Neutral
4	115-5074	1	Link-Brake	14	3272-11	2	Pin-Cotter
5	117-7322	1	Rod-Brake, LH	15	3256-27	2	Washer-Flat
6	117-7323	1	Rod-Brake, RH	16	40-1940	2	Washer
7	115-9681	2	Fitting-Rod	17	32144-70	4	Screw-HWHTF
8	1-633268	1	Grip-Lever	18	3234-47	2	Screw-HHF
9	104-8300	5	Nut-Flange, NI	19	106-9758	2	Screw-CARR
10	256-292	2	Bushing-Flange, NI				



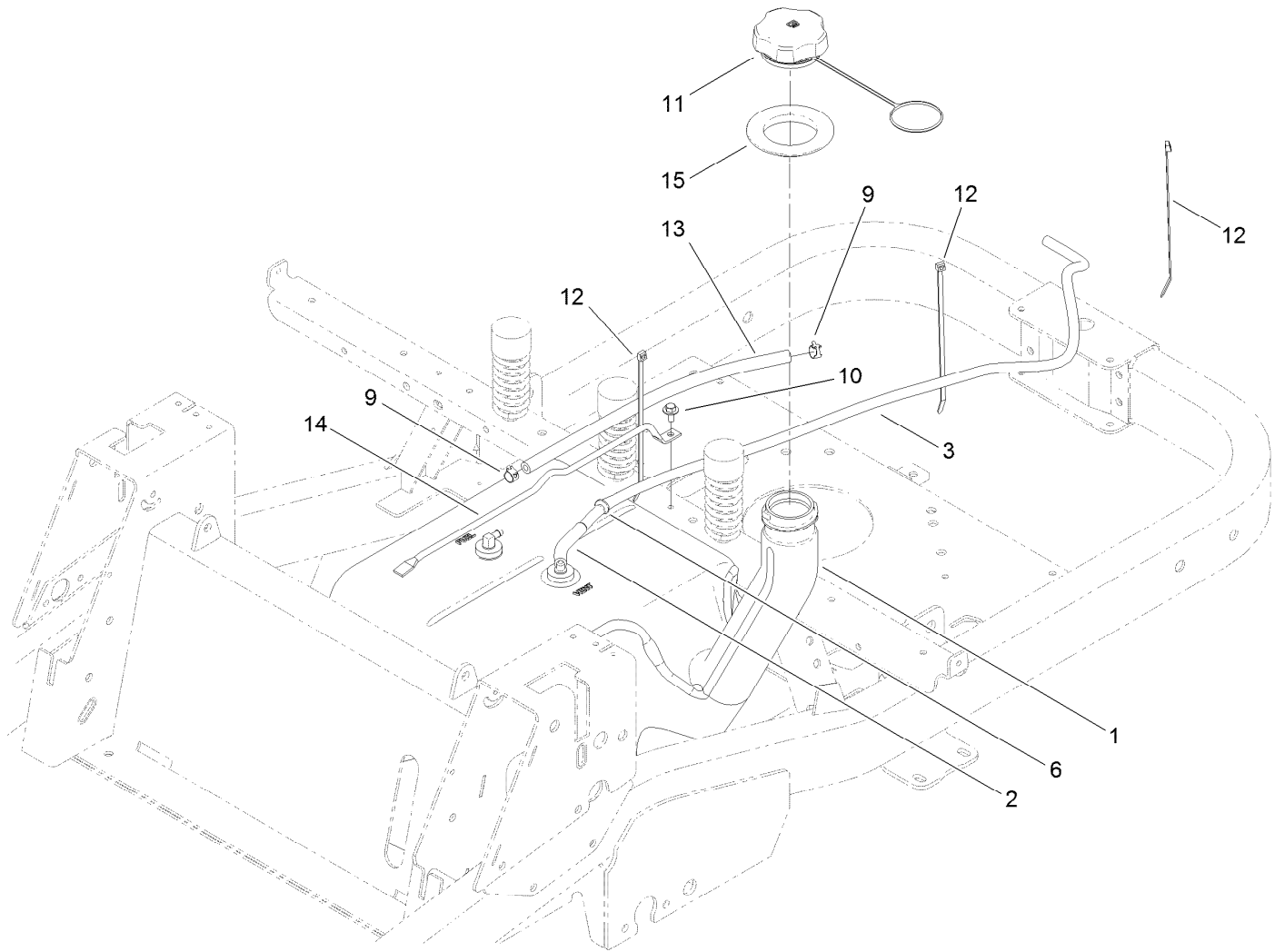
Engine, Muffler and Clutch Assembly

Ref.	Part Number	Qty.	Description
1		1	Engine-Kawasaki, Fr730V-S09-R ●■
1:1	1-653313	2	Gasket-Exhaust
1:2	114-3549	4	Nut
1:3	114-3550	4	Washer-Lock, Spring
3	117-7465	1	Muffler-Kawasaki Twin
4	115-2568	1	Pulley-Engine
5	117-7344-03	1	Bracket-Stop, PTO
6	119-8941	1	Clutch-PTO

Ref.	Part Number	Qty.	Description
8	3212-13	1	Screw-HH
9	323-50	4	Bolt-HH
10	117-7335-03	1	Tube-Stiffener
11	104-8300	1	Nut-Flange, NI
12	104-8301	3	Nut-Flange, NI
14	110-9981	1	Washer-Plain
15	3234-47	1	Screw-HHF
16	106-7022	1	Tube-Drain, Oil
17	323-6	3	Screw-HH

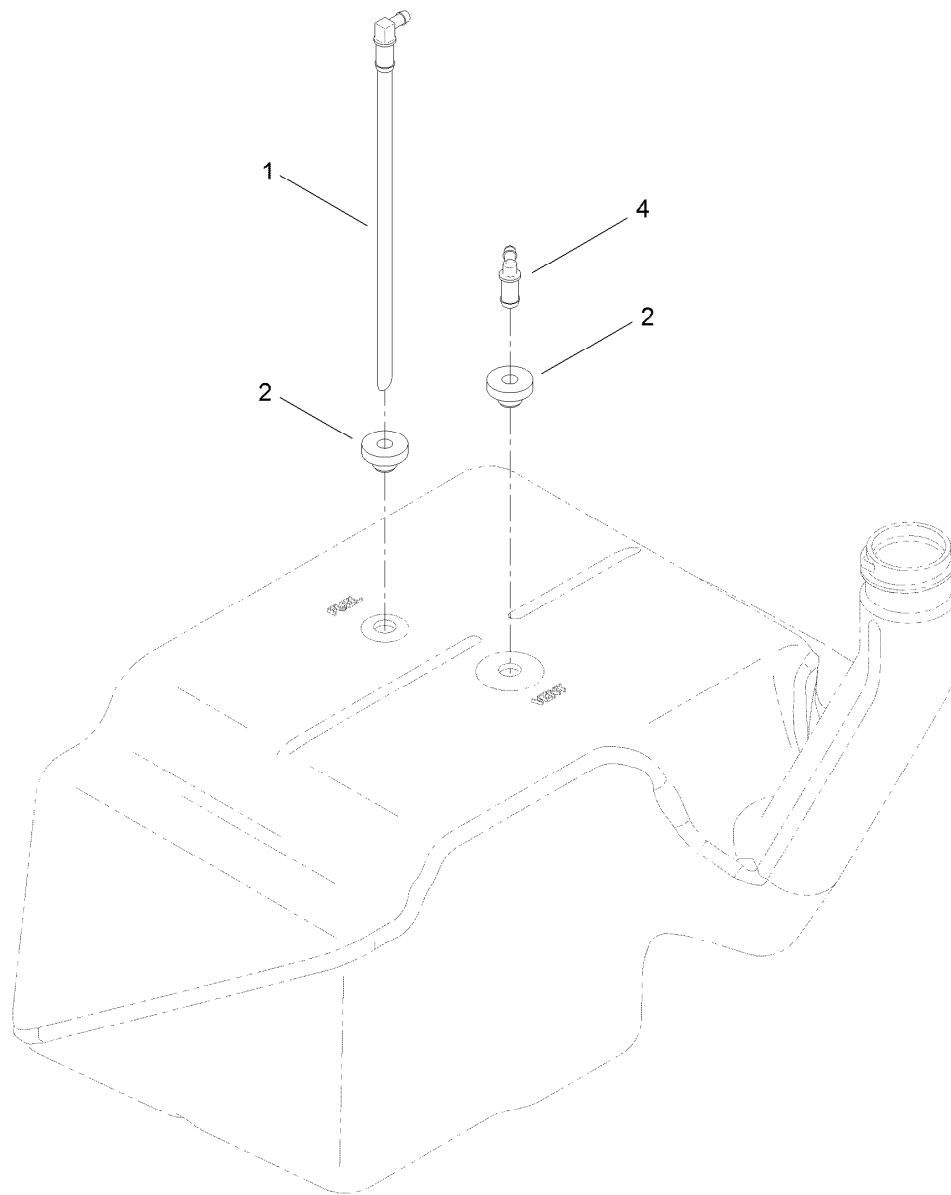
● Not serviced separately

■ Obtain parts from www.kawpowerpc.com



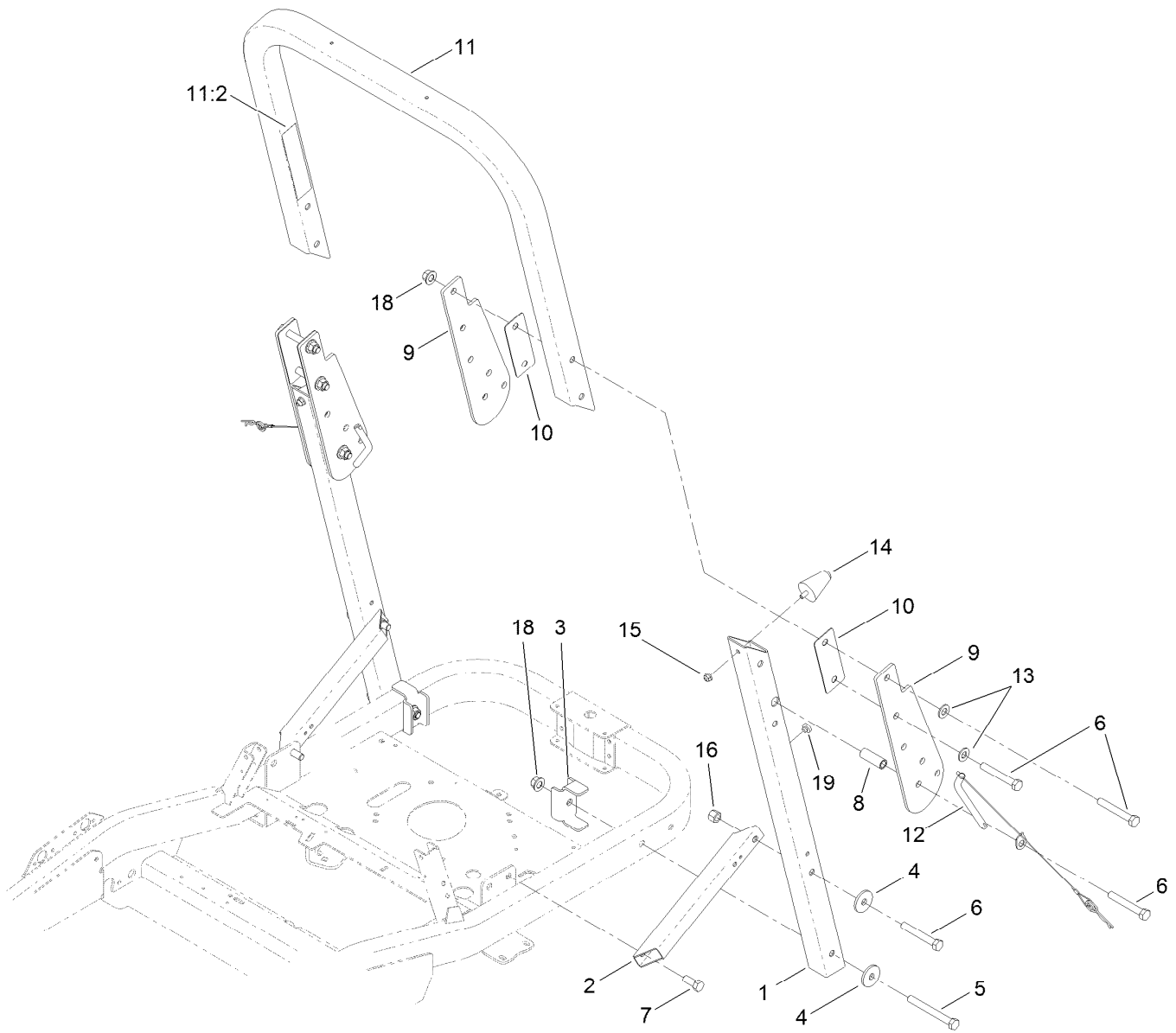
Fuel Delivery Assembly

<i>Ref.</i>	<i>Part Number</i>	<i>Qty.</i>	<i>Description</i>
1	117-7352	1	Multi Layer Fuel Tank ASM
2	114-3765	1	Hose-Fuel
3	51-3212	1	Hose-Fuel
6	121-0743	1	Adapter-Orifice
9	2412-98	2	Clamp-Hose
10	46-8560	1	Screw-HHFTF
11	114-0294	1	Cap-Fuel, Racheting
12	614249	3	Tie-Cable
13	107-0589	1	Hose-Fuel
14	115-2620	1	Rod-Tank, Gas
15	117-1298	1	Seal-Tank



Multi Layer Fuel Tank Assembly No. 117-7352

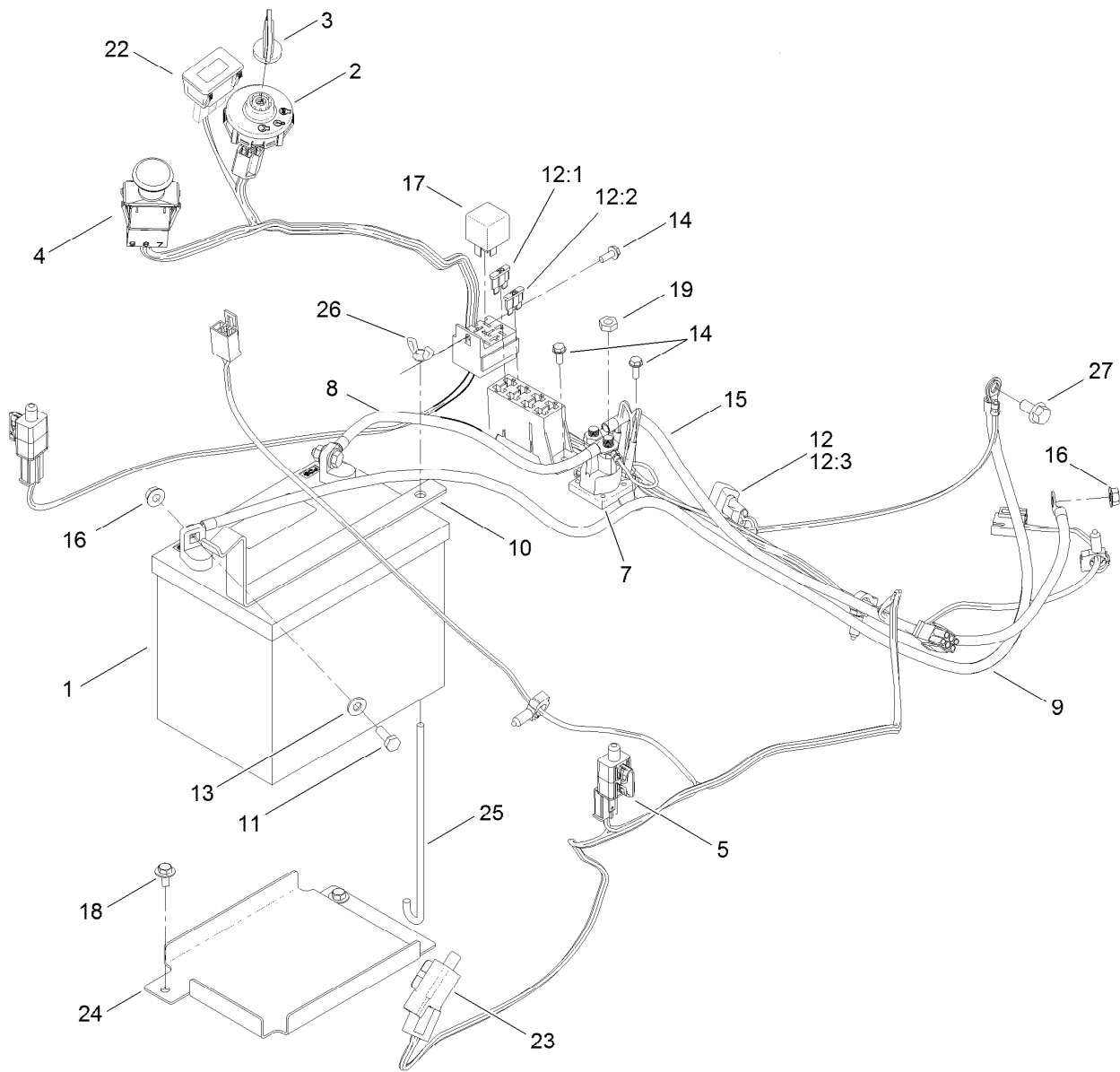
<i>Ref.</i>	<i>Part Number</i>	<i>Qty.</i>	<i>Description</i>
1	121-0793	1	Connector-Elbow, 90 DEG
2	46-6560	2	Bushing
4	117-7400	1	Fitting-Plastic



Roll-Over Protection System Assembly

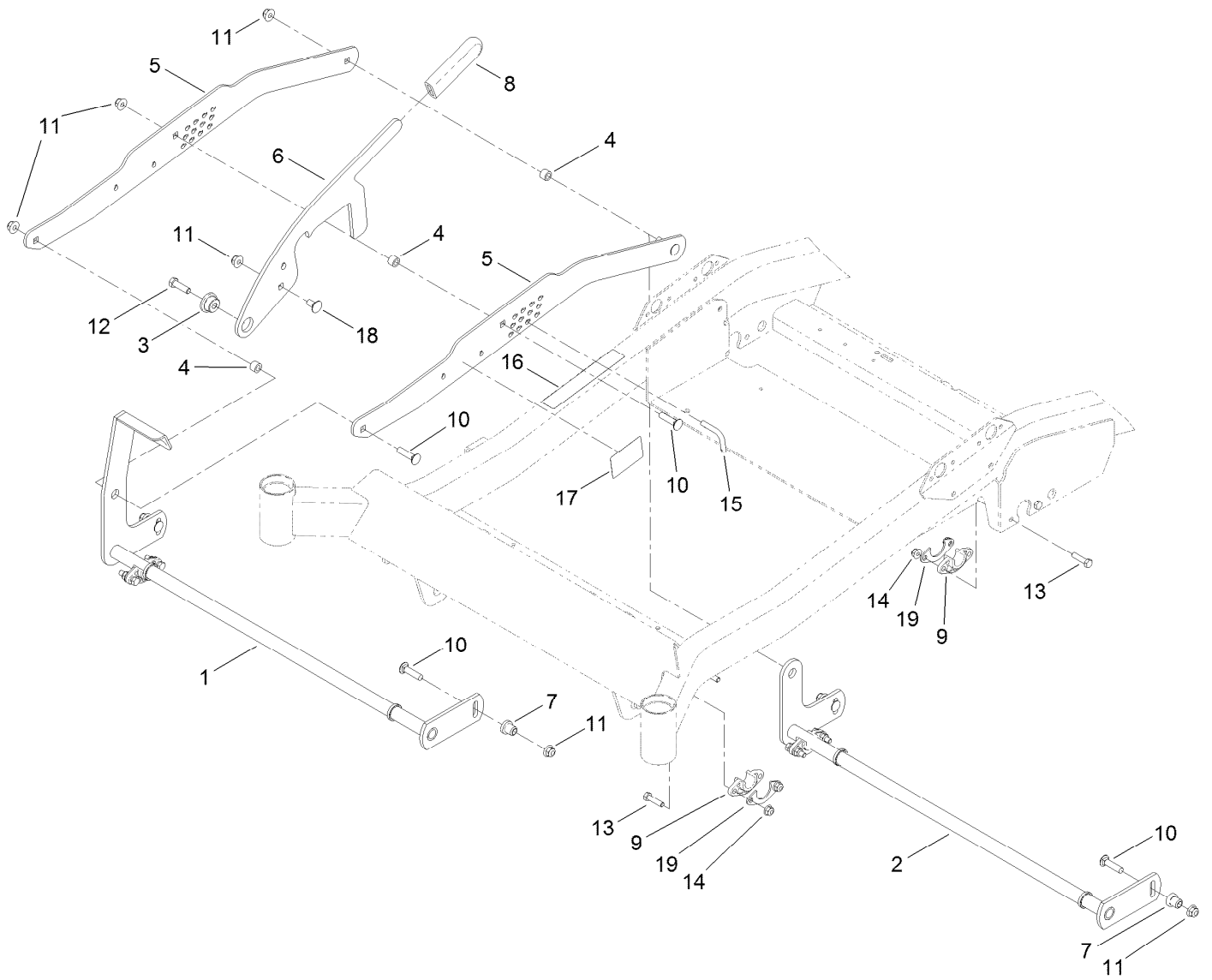
Ref.	Part Number	Qty.	Description
1	121-2986-03	2	Tube-ROPS, Lower
2	115-4962-03	2	Tube-Support, ROPS
3	115-4963-03	2	Bracket-Reinforcing
4	84-1560	4	Washer-Thrust
5	325-18	2	Screw-HH
6	325-14	8	Screw-HH
7	325-5	2	Screw-HH
8	109-6653	2	Spacer
9	119-8911-03	4	Bracket-Pivot, ROPS
10	119-8926-03	4	Spacer-ROPS

Ref.	Part Number	Qty.	Description
11	119-8991	1	Upper ROPS ASM
11:2	107-3069	1	Decal-Warning, Folding ROPS
12	119-8970	2	Pin-ROPS
13	3256-26	4	Washer-Flat
14	114-1925	2	Bumper-Rubber
15	104-8300	2	Nut-Flange, NI
16	119-8969	2	Nut-Hex
18	99-5107	10	Nut-Lock
19	1-513658	2	Bumper



Electrical Assembly

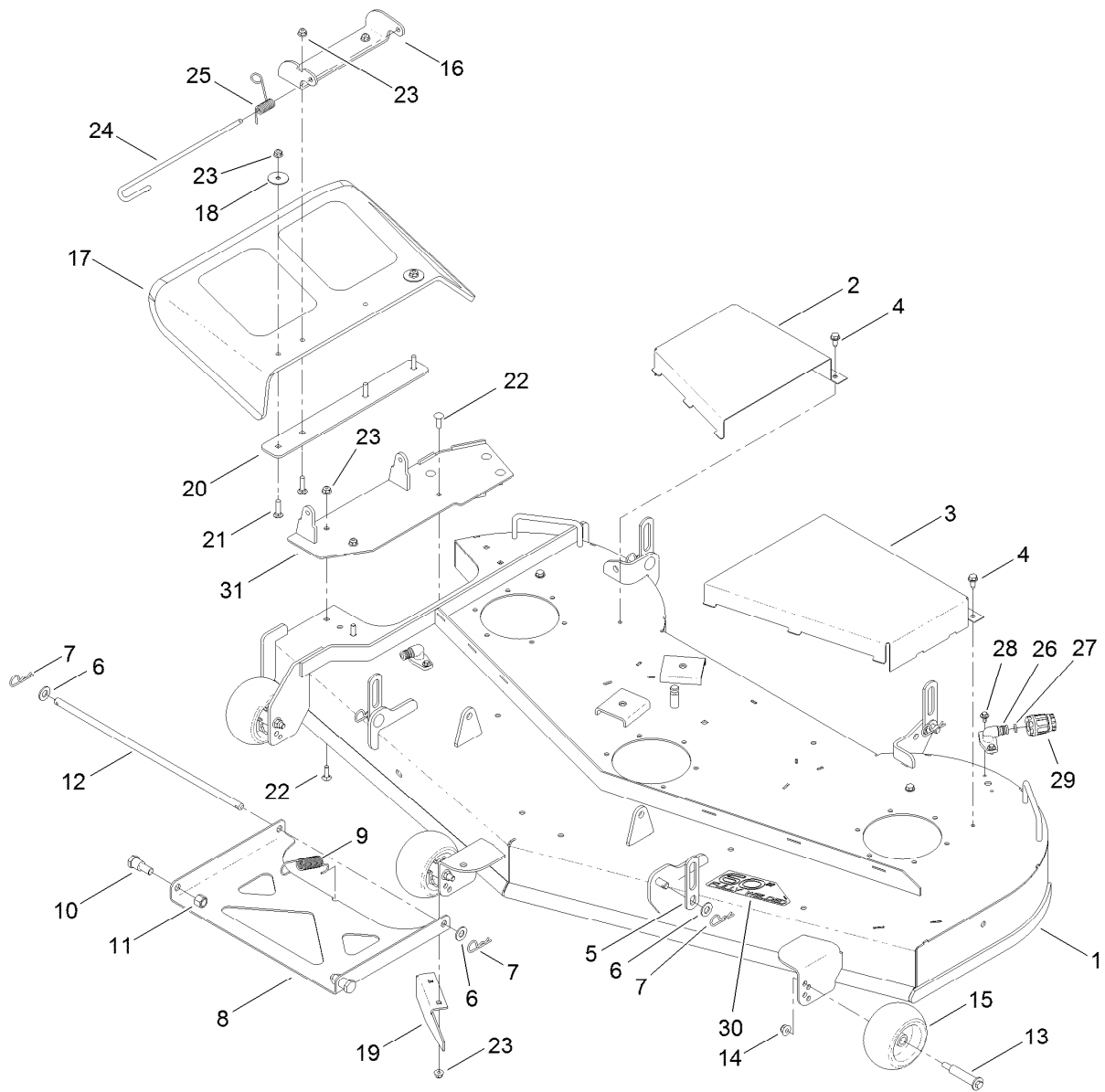
<i>Ref.</i>	<i>Part Number</i>	<i>Qty.</i>	<i>Description</i>	<i>Ref.</i>	<i>Part Number</i>	<i>Qty.</i>	<i>Description</i>
1	105-1692	1	Battery	13	3256-22	2	Washer-Flat
2	117-2221	1	Switch-Ignition	14	32144-1	5	Screw-Taptite
3	63-8360	1	Key-Ignition	15	92-6989	1	Wire-21 Inch
4	103-5221	1	Switch-PTO	16	32128-33	3	Nut-HF
5	110-6765	2	Switch-Single Pole No	17	98-7249	1	Relay
7	117-1197	1	Solenoid	18	46-8560	2	Screw-HHFTF
8	117-5342	1	Cable-Battery, Positive	19	3220-2	2	Nut-Jam
9	117-7240	1	Cable-Battery, Negative	22	120-2244	1	Hourmeter
10	117-7313-01	1	Strap-Battery	23	99-7408	1	Switch-Reverse
11	321-4	2	Screw-HH	24	117-1283-03	1	Tray-Battery
12	121-3015	1	Harness-Wire	25	1-633651	1	Bolt-Holddown
12:1	109103	1	Fuse-Blade, 30 Amp	26	1-543792	1	Wingnut
12:2	109102	1	Fuse-Blade, 25 Amp	27	33104-016	1	Screw-HHF
12:3	100-4918	1	Diode				



Deck Lift Assembly

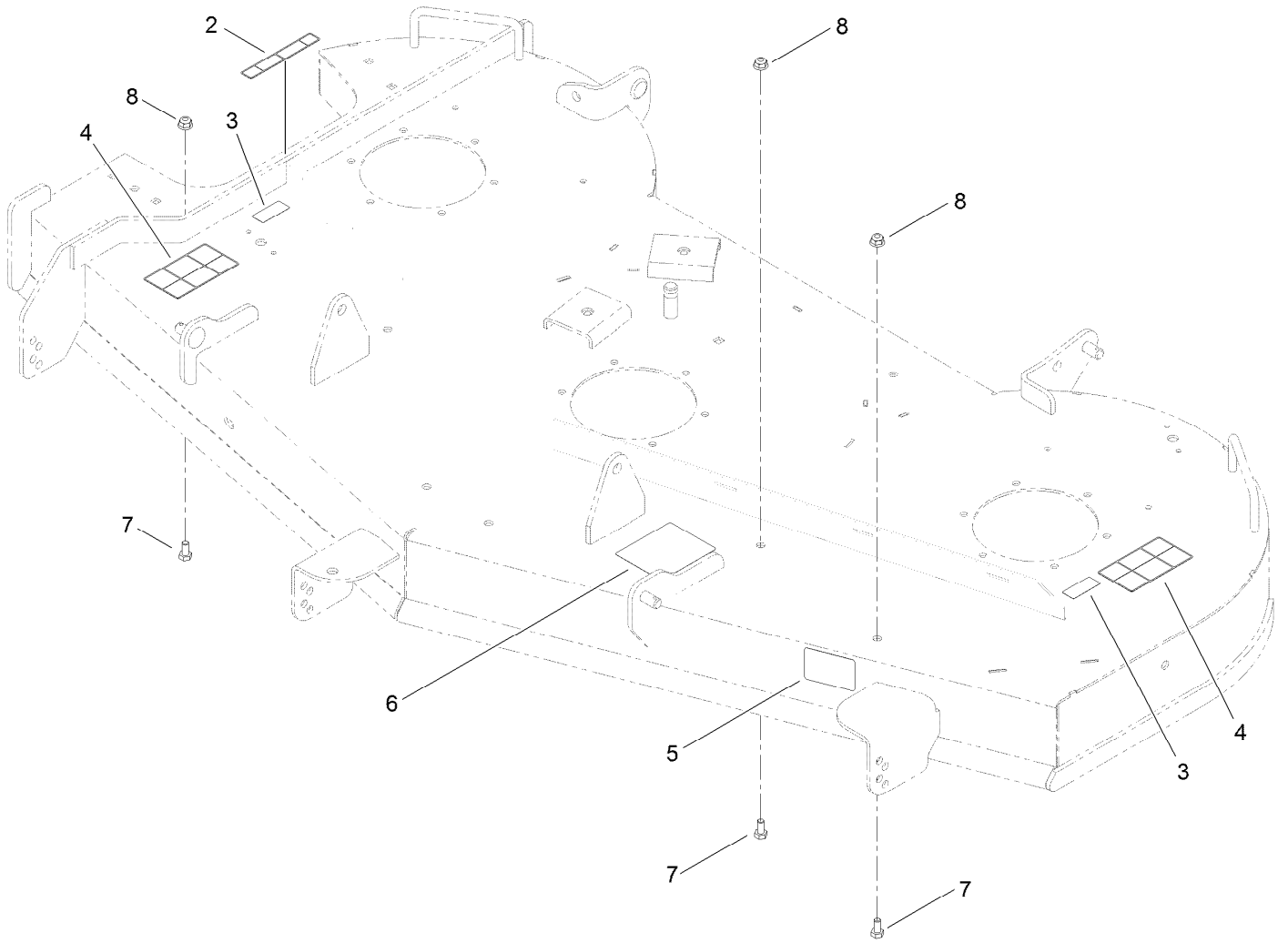
<i>Ref.</i>	<i>Part Number</i>	<i>Qty.</i>	<i>Description</i>
1	115-2495-03	1	Pivot-Front
2	115-2498-03	1	Pivot-Rear
3	117-1281	1	Bushing-Mount, HOC
4	115-4986	3	Spacer
5	115-2503-03	2	Plate-Lift, Foot
6	115-2504	1	Plate-Stop, HOC
7	65-5950	4	Bushing-Pulley
8	1-633268	1	Grip-Lever
9	115-5065	4	Bushing-Flange
10	3231-4	7	Screw-CARR

<i>Ref.</i>	<i>Part Number</i>	<i>Qty.</i>	<i>Description</i>
11	104-8301	8	Nut-Flange, NI
12	323-7	1	Screw-HH
13	322-6	8	Screw-HH
14	104-8300	8	Nut-Flange, NI
15	117-1280	1	Pin-Keyed
16	115-9644	1	Decal-HOC
17	117-5344	1	Decal-Lock, Deck
18	3231-1	1	Screw-CARR
19	116-2887	4	Gusset-Deck Lift



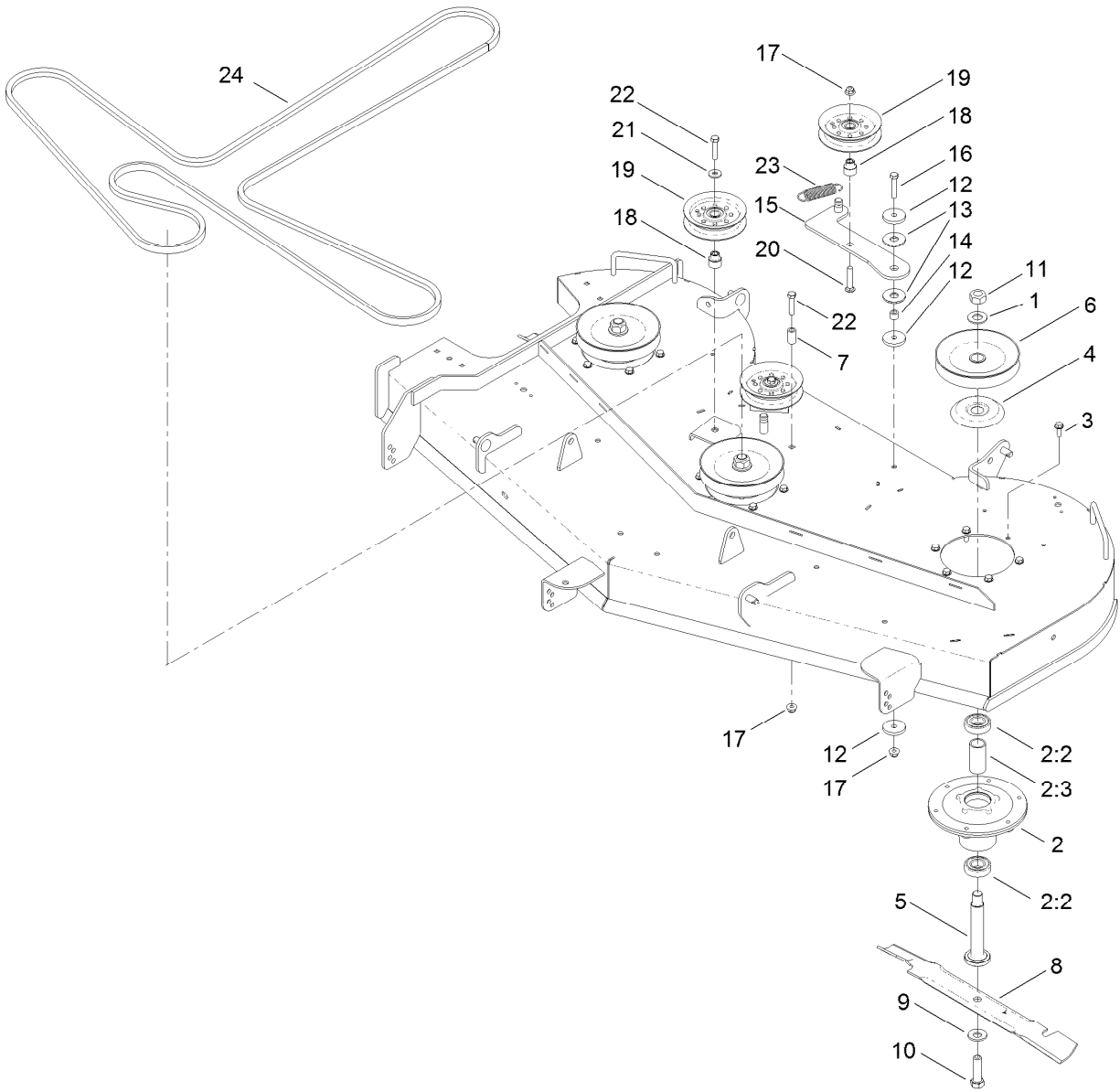
60 Inch Deck Assembly

Ref.	Part Number	Qty.	Description	Ref.	Part Number	Qty.	Description
1	120-7149	1	60 Inch Deck And Decal ASM	16	114-1648-03	1	Bracket-Deflector, Upper
2	115-5036-03	1	Cover-Belt, RH	17	117-1270	1	Deflector-Molded
3	115-5037-03	1	Cover-Belt, LH	18	3256-68	2	Washer-Flat
4	32144-70	4	Screw-HWHTF	19	119-3388-03	1	Baffle-Cutoff
5	119-8949	4	Link-Lift	20	115-5048-03	1	Plate-Deflector
6	3256-26	6	Washer-Flat	21	3230-3	4	Screw-CARR
7	1-806005	6	Pin-Hair	22	3230-22	6	Screw-CARR
8	115-5027-01	1	Pan-Pivot, Deck	23	104-8300	10	Nut-Flange, NI
9	115-9652	1	Spring-Extension	24	109-8854	1	Pin-Chute
10	94-5823	2	Bolt-Shoulder, HH	25	121-2983	1	Spring-Torsion
11	3296-23	2	Nut-Lock, NI	26	95-2747	2	Fitting-Washout
12	115-5030	1	Rod-Deck, Pivot	27	46-6290	2	O-Ring, Seal
13	112-3977	3	Bolt-Shoulder	28	46-8560	4	Screw-HHFTF
14	104-8301	3	Nut-Flange, NI	29	95-3270	1	Connector-Hose
15	1-603299	3	Roller-Scalp, Anti	30	117-5303	1	Decal
				31	119-3356-03	1	Plate



60 Inch Deck and Decal Assembly No. 120-7149

<i>Ref.</i>	<i>Part Number</i>	<i>Qty.</i>	<i>Description</i>
2	93-7009	1	Decal-Danger, Deflector
3	114-1606	2	Decal-Danger, Pulley
4	110-6691	2	Decal-Danger
5	112-9840	1	Decal-Scalp, Anti
6	117-1194	1	Decal-Routing, Belt
7	322-2	3	Screw-HH
8	104-8300	3	Nut-Flange, NI



60 Inch Deck Belt, Spindle and Blade Assembly

Ref.	Part Number	Qty.	Description
1	7-4150	3	Washer
2	120-5477	3	Spindle ASM
2:2	116-0720	2	Bearing-Ball
2:3	115-2641	1	Spacer-Bearing
3	32144-41	18	Screw-Taptite
4	117-7210	3	Shield-Bearing
5	115-2642	3	Shaft-Spindle
6	115-4975	3	Pulley
7	1-603401	1	Spacer-Fender
8	115-9649-03	3	Blade-Hi Flo, 20.5In
9	22-8520	3	Washer-Belleville
10	51-4060	3	Screw-Blade
11	3219-7	3	Nut-Hex

Ref.	Part Number	Qty.	Description
12	110-9981	3	Washer-Plain
13	114-0463	2	Washer-Friction, Composite
14	1-413088	1	Bushing-Lever, Lift
15	115-5054	1	Idler Arm ASM
16	323-10	1	Screw-HH
17	104-8301	3	Nut-Flange, NI
18	115-2577	3	Bushing-Idler
19	116-3626	3	Pulley-Idler
20	3231-6	1	Screw-CARR
21	80-6990	2	Washer-Hardened
22	323-9	3	Screw-HH
23	108-4056	1	Spring-Extension
24	115-4972	1	Belt-V

Attachments and Accessories

For 74873 TITAN MX6080 Zero-Turn-Radius Riding Mower

Product Name	Model/Part
Step Kit	117-5316
Light Kit.....	117-5317
54in/60in Striping Kit.....	117-5319
Leaf Bagging Enhancement Kit	117-7202
60in Recycler Kit.....	119-3455
60-inch Bagger Finishing Kit, 2012 and After TITAN and TimeCutter MX Series Riding Mower.....	121-5664
Hitch Kit	79014
Bagger	79328
10 cu. ft. Poly Dump Cart	79991

Notes:

Notes:

Notes:



Count on it.