



# Weight Kit

## Z 2000 Series Riding Mower

Model No. 121-7576

### Installation Instructions

## Loose Parts

Use the chart below to verify that all parts have been shipped.

Description	Qty.	Use
Bolt (1/4 x 1-5/8 inches) for 3 weights	2	Install the weight
Bolt (1/4 x 2-1/4 inches) for 5 weights	2	
Flat washer	2	
Weight	3	
Nut	2	

## Installing the Weight

- Lift up on the floor pan and remove it from the machine.
- Insert a flat washer and the appropriate bolt into the footrest as follows: (Figure 1).
  - If installing 3 weights, use the 1-5/8 inch bolts.
  - If installing 5 weights, use the 2-1/4 inch bolts.

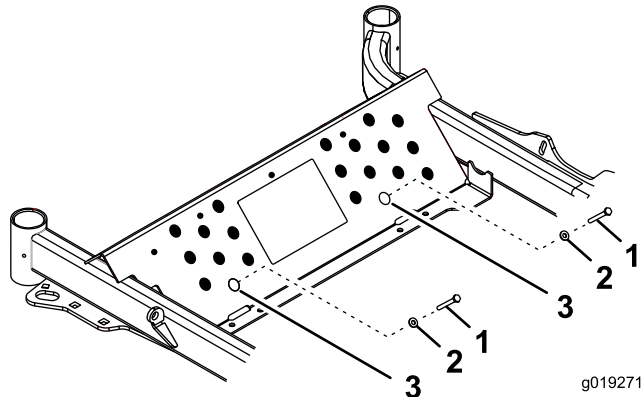


Figure 1

- Bolt
- Flat washer
- Use this hole when securing the weights

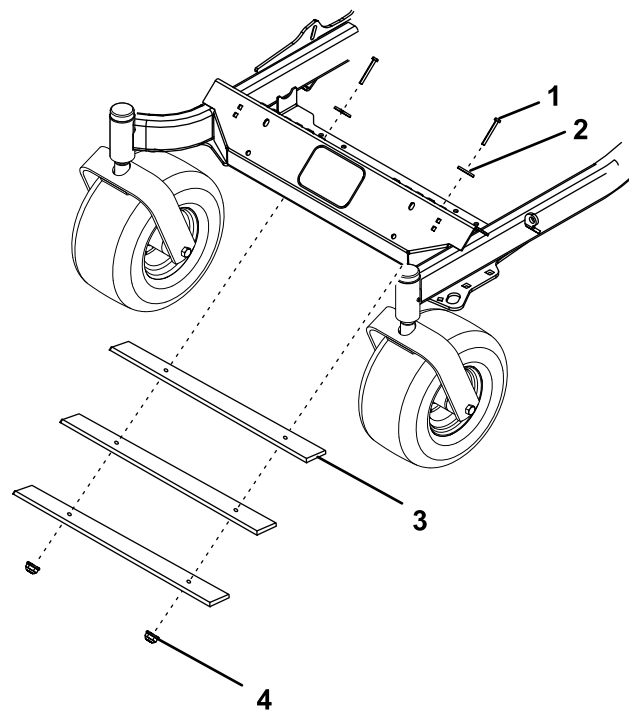


Figure 2

- Bolt
- Flat washer
- Weight (3 shown)
- Nut

- Slide each weight, one at a time onto the bolts and secure them using 2 nuts (Figure 1 and Figure 2).

- Install and lower the floor pan.



**Notes:**