



1232XL LAWN TRACTOR

Model No. 71188 – 7900001 & Up
Model No. 71201 – 7900001 & Up

Parts Catalog

ORDERING REPLACEMENT PARTS

To order replacement parts, please supply: the part number, the quantity, and the description of each part desired.

Contents

Description	Page	Description	Page
Frame Assembly	1	Pulley & Belt Assembly	
Hood Assembly	2	(32" Cutting Unit)	13
Seat Assembly	3	Height Of Cut Assembly	14
Front Axle Assembly	4	Electrical Assembly	15
Steering Assembly	5	Electrical Schematic	16
Steering Shaft Assembly	6	Engine Assembly	17
Gas Tank & Engine Pulley Assembly	7	Spindle & Blade Assembly	18
Clutch Assembly	8	Engine Briggs & Stratton	
Shift Assembly	9	Model No. 283707-0156-01	19
Transaxle Assembly	10	Engine Briggs & Stratton	
Deck Assembly (32" Cutting Assembly)	11	Model No. 282707-0119-01	27
Deck Assembly		Peerless Transaxle Model No.	
(32" Cutting Unit) (Continued)	12	MST205-509	35

Accessories

Description	Model / Parts No.	Description	Model / Parts No.
Easy Empty Bagger Kit	Model No. 79095 or Model No. 79096	Tire Chains	Part No. 47-7220
Twin Bagger	Model No. 79085 or Model No. 79086	Wet Grass Bagging Kit	
Recycler Kit	Model No. 59167	(Standard for Model 71201) ...	Part No. 38-5730
Wheel Weight Kit	Model No. 59159	Headlight Kit	Model No. 79180
42 Snowblade Kit	Model No. 79150	Hi-Sail Bagging Blade	
		(Standard on Both Models)	Part No. 33-4750
		Exhaust Deflector Kit	Part No. 94-6872

Part Description Abbreviations

Part descriptions in this catalog may include the following abbreviations.

Abbreviation	Meaning	Abbreviation	Meaning
AR	as required	HOC	height-of-cut
ASM	assembly	HS	hex socket
CARR	carriage	HSBH	hex socket button head
DEG	degrees	HSFH	hex socket flat head
FH	flat head	HSH	hex socket head
GA	gauge	HWH	hex washer head
HF	hex flange	HWHTF	hex washer head
HFW	hex flange washer		thread forming
HH	hex head	INC	incorporated
HHF	hex head flange	LH	left hand
HHST	hex head self tapping	PH	pan head
HJ	hex jam	PPH	Phillips pan head

PTO	power take off	STD	standard
RH	right hand	TAP	self tapping
SFH	slotted fillister head	TH	truss head
SH	square head	TTH	Torx truss head
SHWH	slotted hex washer head	WH	wing head
SPH	slotted pan head		

Important Format Explanations

This catalog uses special formats to convey information in illustrations and parts lists. Specifically, one format is used in conjunction with service assemblies and another with quantities associated with reference numbers.

Service Assemblies

Parts within service assemblies have reference numbers in the form $X:Y$. X is the reference number of the service assembly and Y is a sequential number unique to each part within the service assembly.

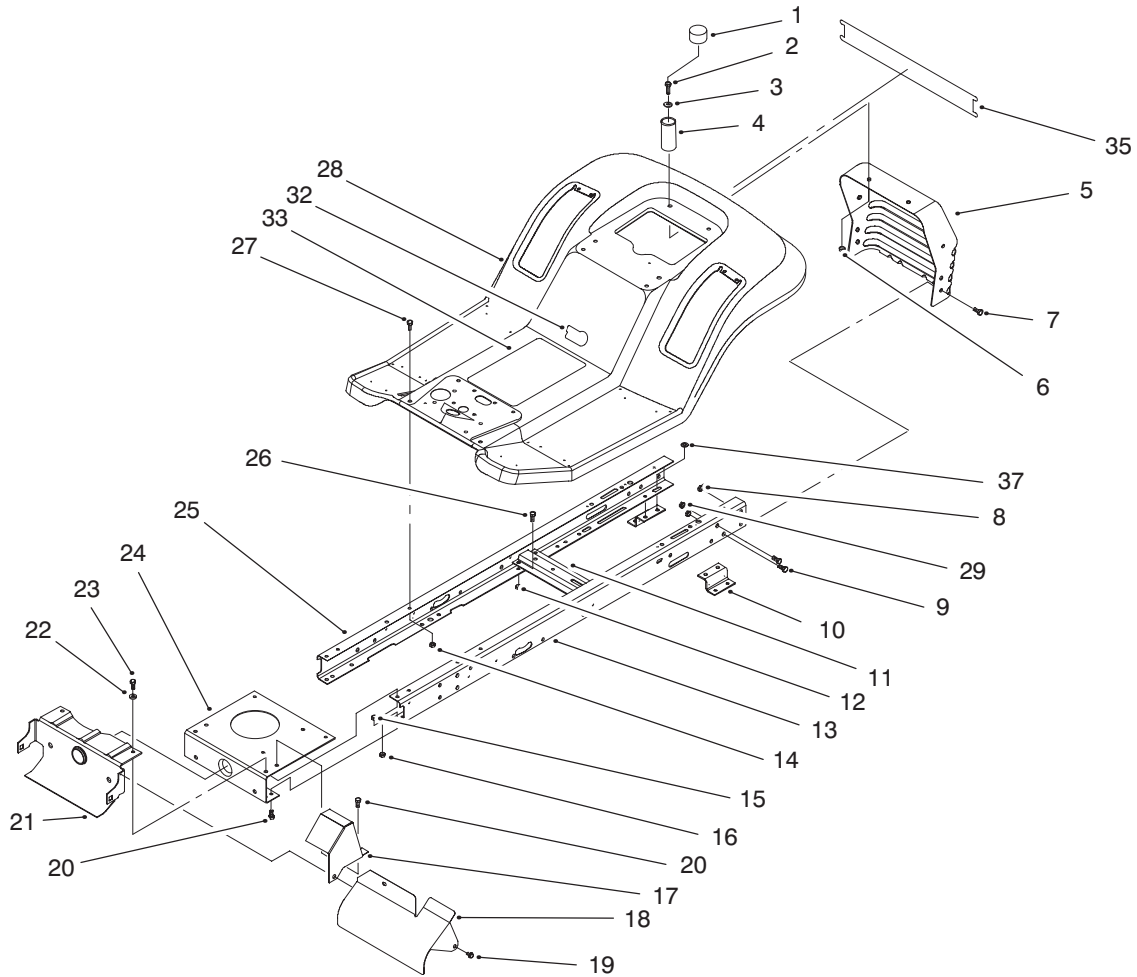
For example, a wheel assembly might be identified by reference number 6, the tire by 6:1, the valve by 6:2, and the wheel by 6:3. When you order the assembly identified by reference number 6, you receive all parts identified by reference numbers 6:1, 6:2, and 6:3. However, you may also order any part individually.

Reference numbers of this type appear in part lists and as callouts in illustrations.

Reference Numbers with Quantities

Illustrations may have a quantity in parentheses next to a reference number, in the form $X (Y)$. X is the reference number. Y in parentheses is the quantity of the part identified by the reference number.

For example, the illustration callout 4 (2) indicates that two parts are used in that instance.

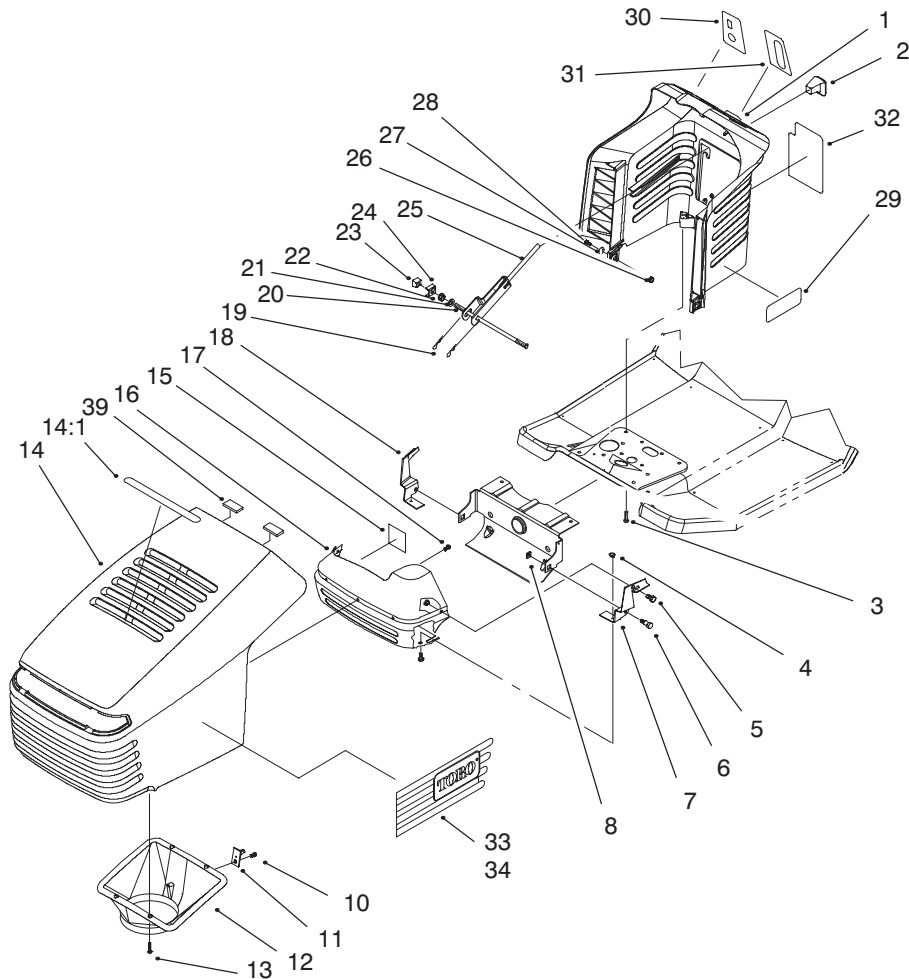


Sheet No.:2

FRAME ASSEMBLY

Ref. No.	Part No.	Qty.	Description
1	701178	2	Cap-Protector
2	322-5	2	Screw-HH
3	3256-23	2	Washer-Flat
4	88-6220	2	Spring - Compression
5	88-3940-03	1	Panel - Rear
6	3296-29	2	Nut-Lock
7	322-3	4	Screw-HH
8	3296-29	4	Nut-Lock
9	322-3	4	Screw-HH
10	94-1967-03	2	Bracket-Trxl Mtg
11	88-4620-03	1	Bracket - Idler Pivot
12	3296-29	4	Nut-Lock
13	94-1999-03	1	Frame Rail-LH
14	3296-29	2	Nut-Lock
15	3296-29	6	Nut-Lock
16	3296-29	2	Nut-Lock
17	88-4960-03	1	Shield - Exh. Pipe
18	88-6290-03	1	Shield - Muffler
19	32104-76	1	Screw-Self TAP
20	322-3	6	Screw-HH
21	88-5120-03	1	Support - Front Axle
22	3256-23	2	Washer-Flat
23	322-3	2	Screw-HH
24	88-4630-03	1	Plate - Engine Mounting
25	94-1998-03	1	Frame Rail-RH

Ref. No.	Part No.	Qty.	Description
26	322-3	4	Screw-HH
27	322-3	2	Screw-HH
28	88-3840	1	Body - Rear
29	3296-29	4	Nut-Lock
32	76-1340	1	Decal-USA (Only On: 71188)
33	93-6675	1	Decal-Instruct (Only On: 71201)
33	94-1237	1	Decal-Instruction (Only On: 71188)
35	92-2489	1	Decal-Rear Body
37	3256-23	2	Washer-Flat

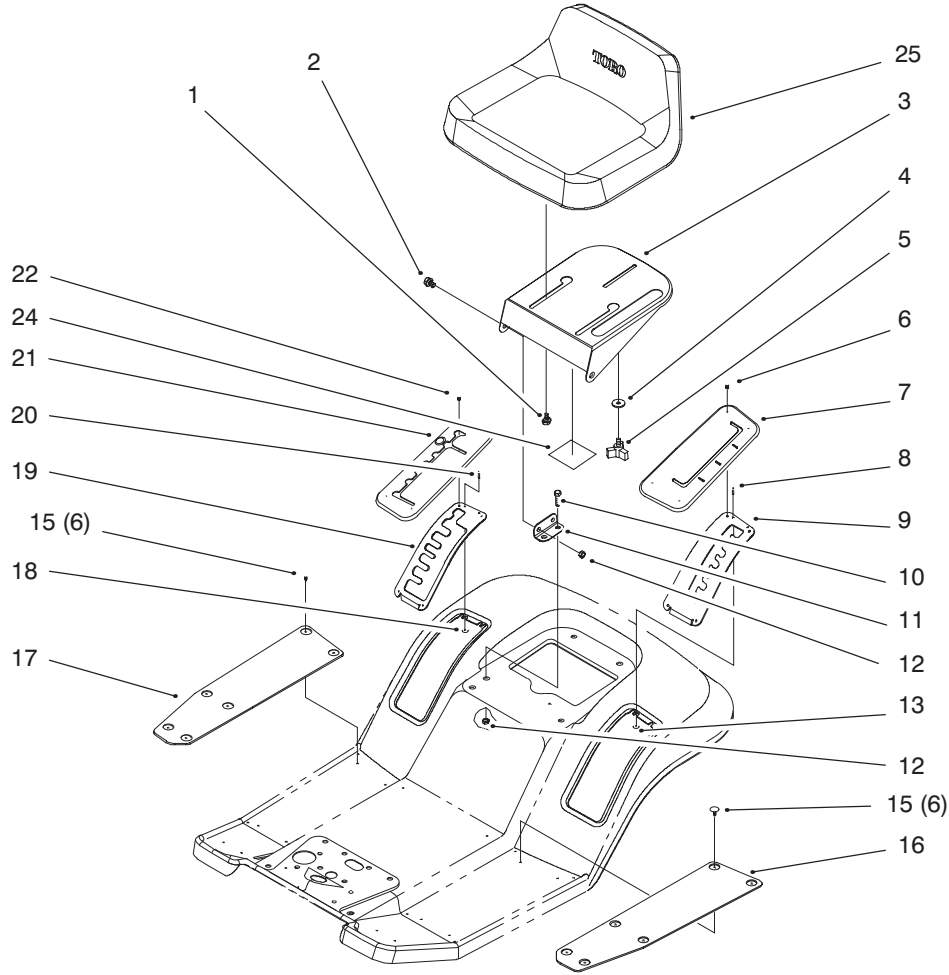


Sheet No.:3

HOOD ASSEMBLY

Ref. No.	Part No.	Qty.	Description
1	93-0303	1	Tower-Steering Toro
2	94-5565	1	Knob - Control
3	46-8091	2	Screw-Tapping
4	3296-42	4	Nut-Lock
5	321-2	4	Screw-HH
6	28-0540	2	Bolt-Shoulder
7	88-6050-03	1	Bracket - Hinge
8	3290-496	2	Nut - Retained
10	46-8091	1	Screw-Tapping
11	94-1984	1	Pin-Latch
12	88-4050	1	Duct - Hood Air
13	46-8090	4	Screw-Tapping
14	92-8650	1	Hood-Toro
14:1	92-5748	1	Decal - Air Duct
15	92-5782	1	Patch - Heat Tape
16	88-3930-03	1	Shield - Heat
17	46-8090	3	Screw-Tapping
18	88-6040-03	1	Bracket - Hinge
19	3290-307	1	Pin-Cotter
20	88-4170	1	Rod - Pivot
21	3256-24	2	Washer-Flat
22	32128-43	2	Nut-Whiz Flg
23	88-4140	2	Nut - Wedge
24	88-4160	2	Clamp - Pivot Rod
25	88-5190-03	1	Lever W.a. - Deck Engage

Ref. No.	Part No.	Qty.	Description
26	3296-29	2	Nut-Lock
27	3256-23	2	Washer-Flat
28	322-3	2	Screw-HH
29	92-2480	2	Decal - Tower
30	92-2478	1	Decal - Ignition (Only On: 71188)
30	92-5732	1	Decal - Ignition (Only On: 71201)
31	92-2461	1	Decal - Throttle (Only On: 71188)
31	92-5730	1	Decal - Throttle (Only On: 71201)
32	92-2462	1	Decal - Deck Engage (Only On: 71188)
32	93-6673	1	Decal - Deck Engage (Only On: 71201)
33	92-2468	1	Decal - Hood Left
34	92-2467	1	Decal - Hood Right
39	94-1980	2	Foam-Hood

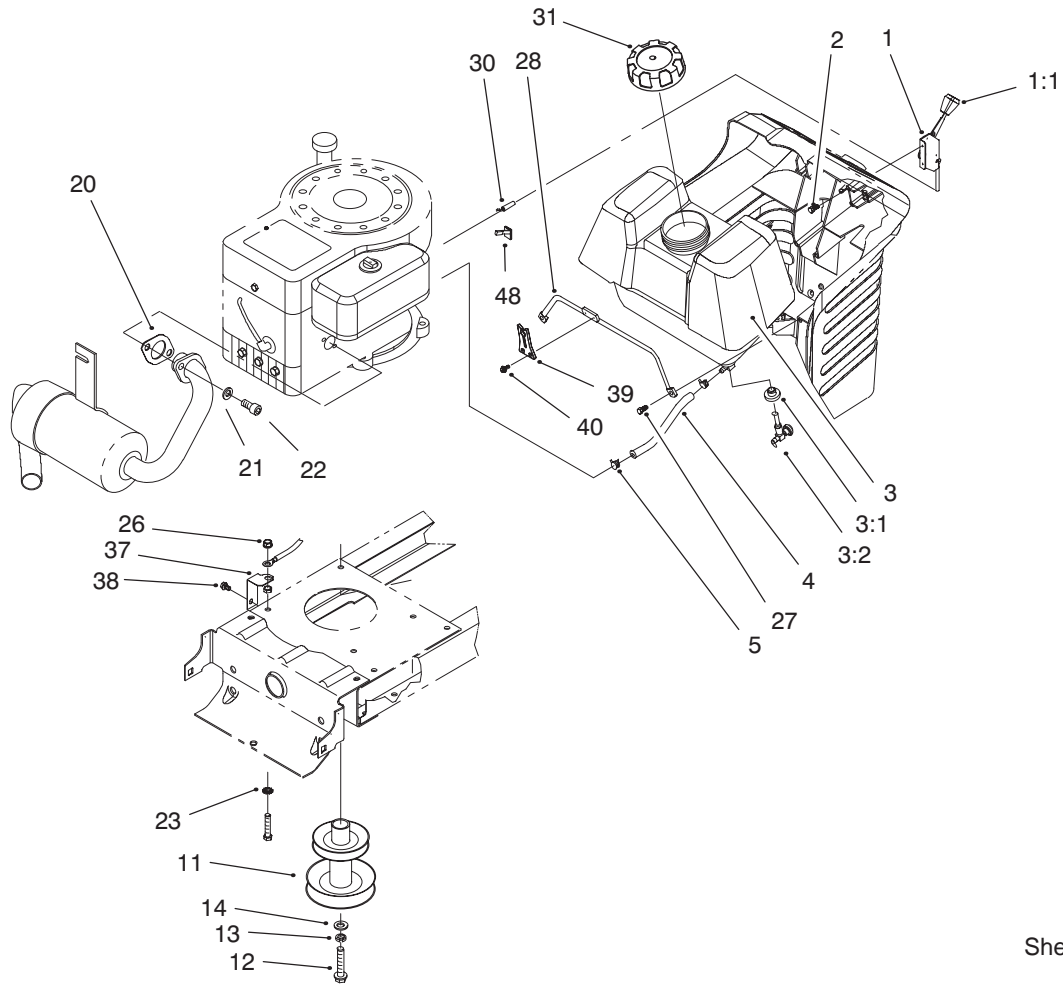


Sheet No.:4

SEAT ASSEMBLY

Ref. No.	Part No.	Qty.	Description
1	37-8770	2	Bolt-Shldr
2	37-8770	2	Bolt-Shldr
3	88-4910-03	1	Support - Seat
4	5-4460	1	Washer-Fender
5	92-9674	1	Knob-Studded
6	3290-479	4	Fastener-Panel
7	88-5170	1	Cover - HOC (Only On: 71188)
7	93-7657	1	Cover - HOC (Only On: 71201)
8	3290-282	2	Pop Rivet
9	88-5030-03	1	Gate - HOC
10	322-3	4	Screw-HH
11	88-4820-03	2	Bracket - Seat Hinge
12	3296-29	6	Nut-Lock
15	3290-479	12	Fastener-Panel
16	88-5240	1	Foot Mat
17	88-5220	1	Foot Mat
19	88-5020-03	1	Plate - Shift Gate
20	3290-282	2	Pop Rivet
21	88-5160	1	Cover - Shift Gate (Only On: 71188)
21	93-7656	1	Cover - Shift Gate (Only On: 71201)
22	3290-479	4	Fastener-Panel
24	114621	1	Decal-Noise (Only On: 71201)

Ref. No.	Part No.	Qty.	Description
25	88-3950	1	Seat (Only On: 71201)
25	88-4330	1	Seat-V 320 (Only On: 71188)

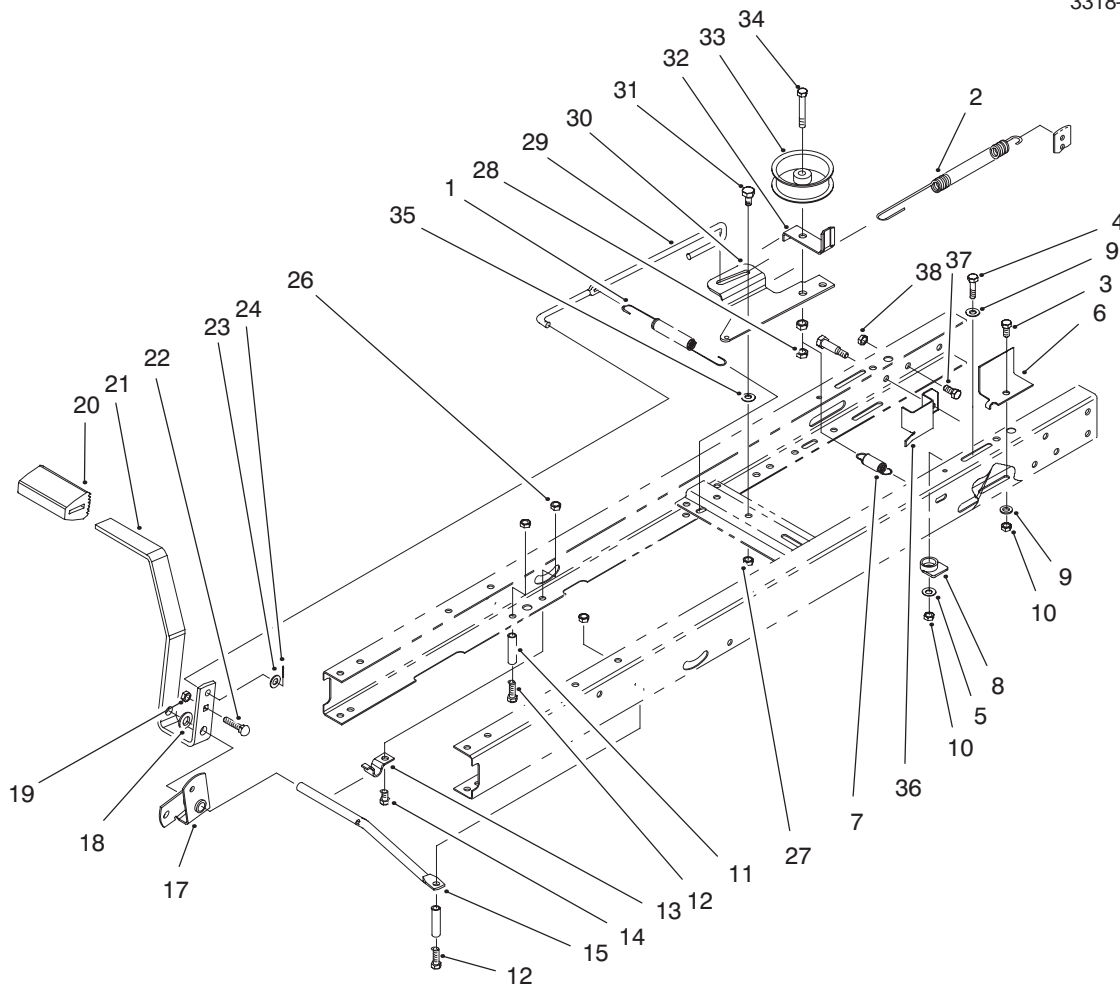


Sheet No.:8

GAS TANK & ENGINE PULLEY ASSEMBLY

Ref. No.	Part No.	Qty.	Description
1	88-4340	1	Throttle Control ASM
1:	66-0120	1	Knob
2	27-0220	2	Screw-Special HWH
3	88-3880	1	Gas Tank Assembly
3:1	104047	1	Bushing
3:2	104048	1	Assembly-Valve
4	47-2963	1	Fuel Line
5	2412-98	2	Clamp-Hose
11	88-5050	1	Pulley - Engine (32")
12	26-0671	1	Bolt-Blade
13	3253-22	1	Washer-Lock
14	3256-25	1	Washer-Flt
20	88-4410	1	Gasket - Muffler
21	3253-4	2	Washer-Lock
22	3274-10	2	Screw-Sckt Hd
23	3255-8	1	Washer-Lock
26	32149-1	2	Nut-Keps
27	27-0220	2	Screw-Special HWH
28	94-1952	1	Rod-Gas Tank
30	88-4350	1	Cable ASM-Throttle
31	88-3980	1	Gas Cap ASM
37	93-3809	1	Bracket-Ground
38	9266714	1	Screw-HWHTF
39	94-1951	1	Latch-Hood
40	32144-112	2	Screw-Thd Form

Ref. No.	Part No.	Qty.	Description
48	88-4490	1	Reducer - Throttle Rpm (Only On: 71201)

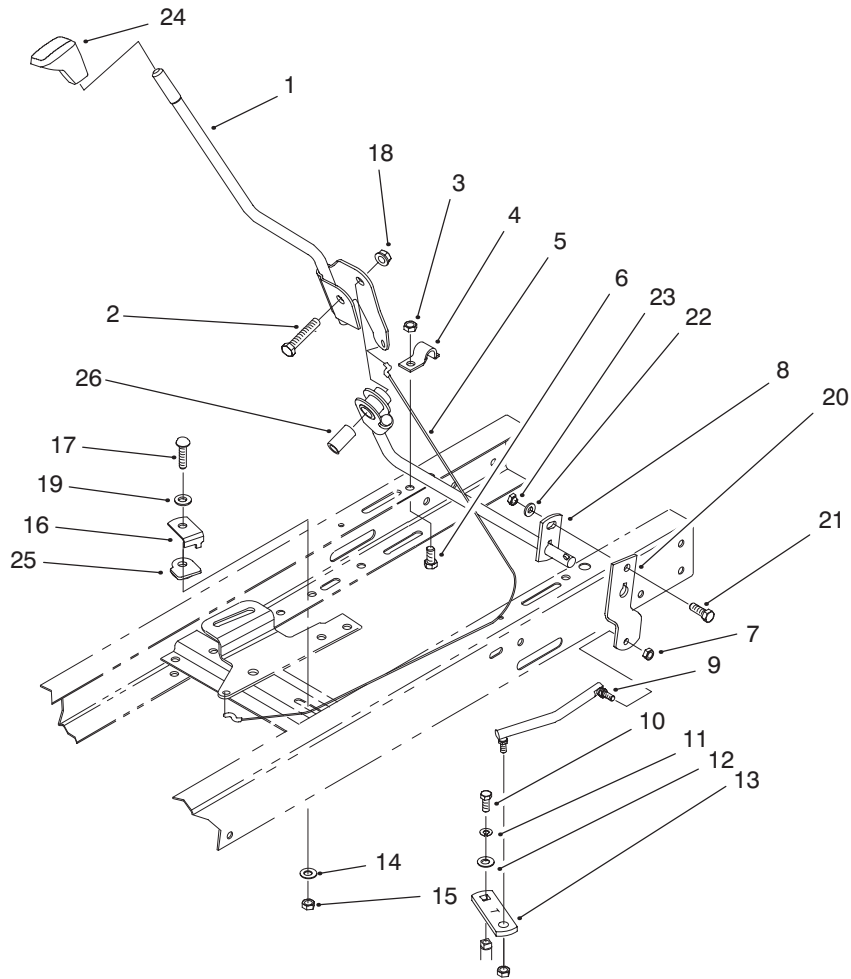


Sheet No.:9

CLUTCH ASSEMBLY

Ref. No.	Part No.	Qty.	Description
1	27-8890	1	Spring – Pedal Return
2	94-4295	1	Spring-Brake
3	322-3	1	Screw-HH
4	322-6	1	Screw-HH
5	5-4460	1	Washer-Fender
6	94-5433	1	Bracket-Belt Guide
7	88-6330	1	Spring – Extension
8	84-5610	1	Guide-Cable
9	3256-23	2	Washer-Flat
10	3296-29	2	Nut-Lock
11	46-5590	2	Spacer
12	322-12	2	Screw HH
13	88-4810	1	Clamp – Shift Pivot
14	322-3	1	Screw-HH
15	88-5500	1	Rod – Pedal Pivot
17	88-4800-03	1	Bellcrank
18	3256-26	1	Washer-Flt
19	3296-29	1	Nut-Lock
20	65-2920	1	Pad-Pedal
21	88-5000-03	1	Pedal – Clutch/Brake
22	3230-3	1	Screw-CARR
23	3256-23	1	Washer-Flat
24	3272-10	1	Pin-Cotter
26	3296-29	3	Nut-Lock
27	3296-29	1	Nut-Lock
28	3296-59	2	Nut-Lock

Ref. No.	Part No.	Qty.	Description
29	88-5270	1	Rod – Clutch/Brake
30	88-6070	1	Arm –Idler
31	37-8770	1	Bolt-Shldr
32	88-5560	1	Belt Guide – Idler
33	88-5680	1	Idler Pulley
34	323-11	1	Screw
35	5-4460	1	Washer-Fender
36	94-4926	1	Bracket-Belt Guide
37	322-3	1	Screw-HH
38	3296-29	1	Nut-Lock

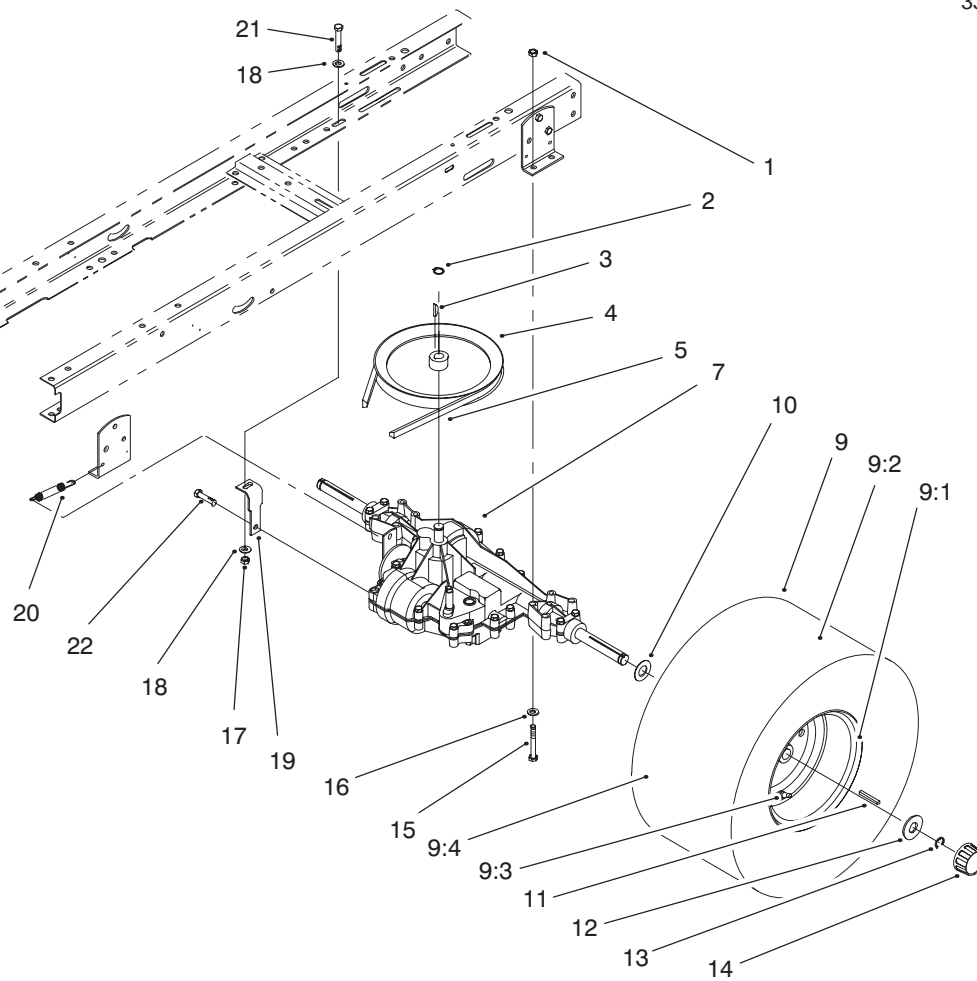


Sheet No.:10

SHIFT ASSEMBLY

Ref. No.	Part No.	Qty.	Description
1	94-1991-03	1	Shift Lever Wa
2	323-10	1	Screw-HH
3	3296-29	2	Nut-Lock
4	88-4810	2	Clamp - Shift Pivot
5	55-9321	1	Cable-Clutch
6	322-3	2	Screw-HH
7	3296-3	2	Nut-Lock
8	94-1993-03	1	Shift Pivot Wa
9	94-5432	1	Link-Shift
10	329-23	1	Screw
11	3253-3	1	Washer-Lock
12	7-5461	1	Spacer-Transmission
13	88-5340	1	Lever - Shift (Transaxle
14	3256-23	1	Washer-Flat
15	3296-29	1	Nut-Lock
16	88-5930	1	Keeper - Cable
17	3230-3	1	Screw-CARR
18	3296-39	1	Nut-Lock
19	3256-25	1	Washer-Flt
20	94-1968	1	Lever-Shift Pivot
21	322-3	1	Screw-HH
22	3256-23	1	Washer-Flat
23	3296-29	1	Nut-Lock
24	94-5565	1	Knob - Control

Ref. No.	Part No.	Qty.	Description
25	84-5610	1	Guide-Cable
26	94-1997	1	Bushing-Shift Lever

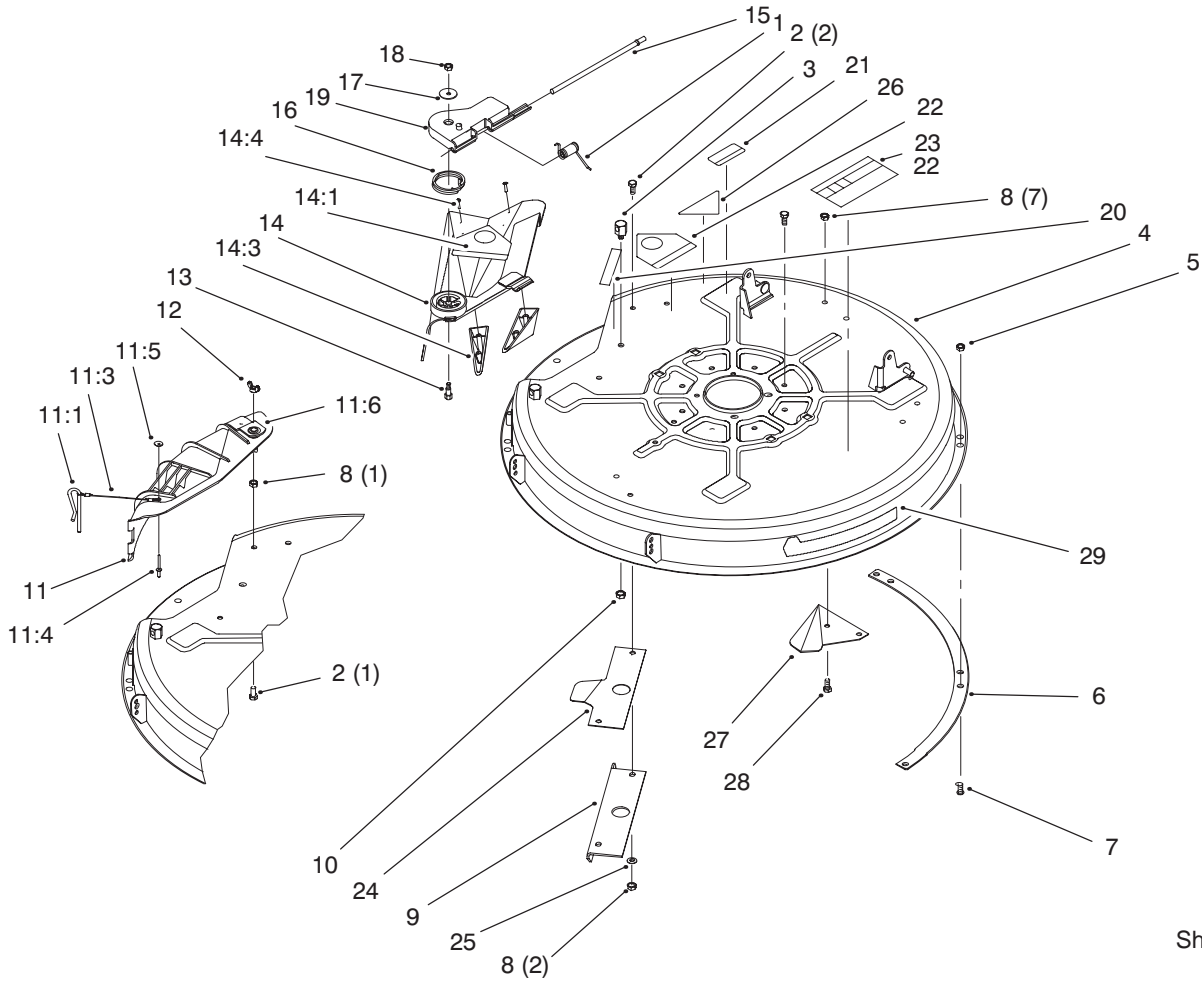


Sheet No.:11

TRANSAXLE ASSEMBLY

Ref. No.	Part No.	Qty.	Description
1	3296-29	4	Nut-Lock
2	32120-64	1	Ring-Retaining
3	3257-23	1	Key-Woodruff
4	88-4840	1	Pulley - Transmission
5	94-4291	1	V-Belt
7	94-6022	1	Transaxle - Peerless 931
9	88-4290	2	Rear Wheel & Tire ASM
9:1	88-4380	2	Rim ASM-16" Rear
9:2	88-4080	2	Tire 16x6.50-8
9:3	232-27	2	Valve Stem & Cap Assembly
9:4	231-91	2	Tube-Inner 16x6.50-8
10	3-6498	2	Washer-Thrust
11	7-0036	2	Key-Square
12	28-2480	2	Washer-Flat
13	32151-48	2	Ring-Retaining
14	61-9780	2	Hubcap
15	322-12	4	Screw HH
16	3256-23	4	Washer-Flat
17	3296-29	2	Nut-Lock
18	3256-23	4	Washer-Flat
19	94-1969	2	Strap-Torque
20	26-6700	1	Spring - Extension

Ref. No.	Part No.	Qty.	Description
21	322-3	2	Screw-HH
22	32144-14	2	Screw-HWH

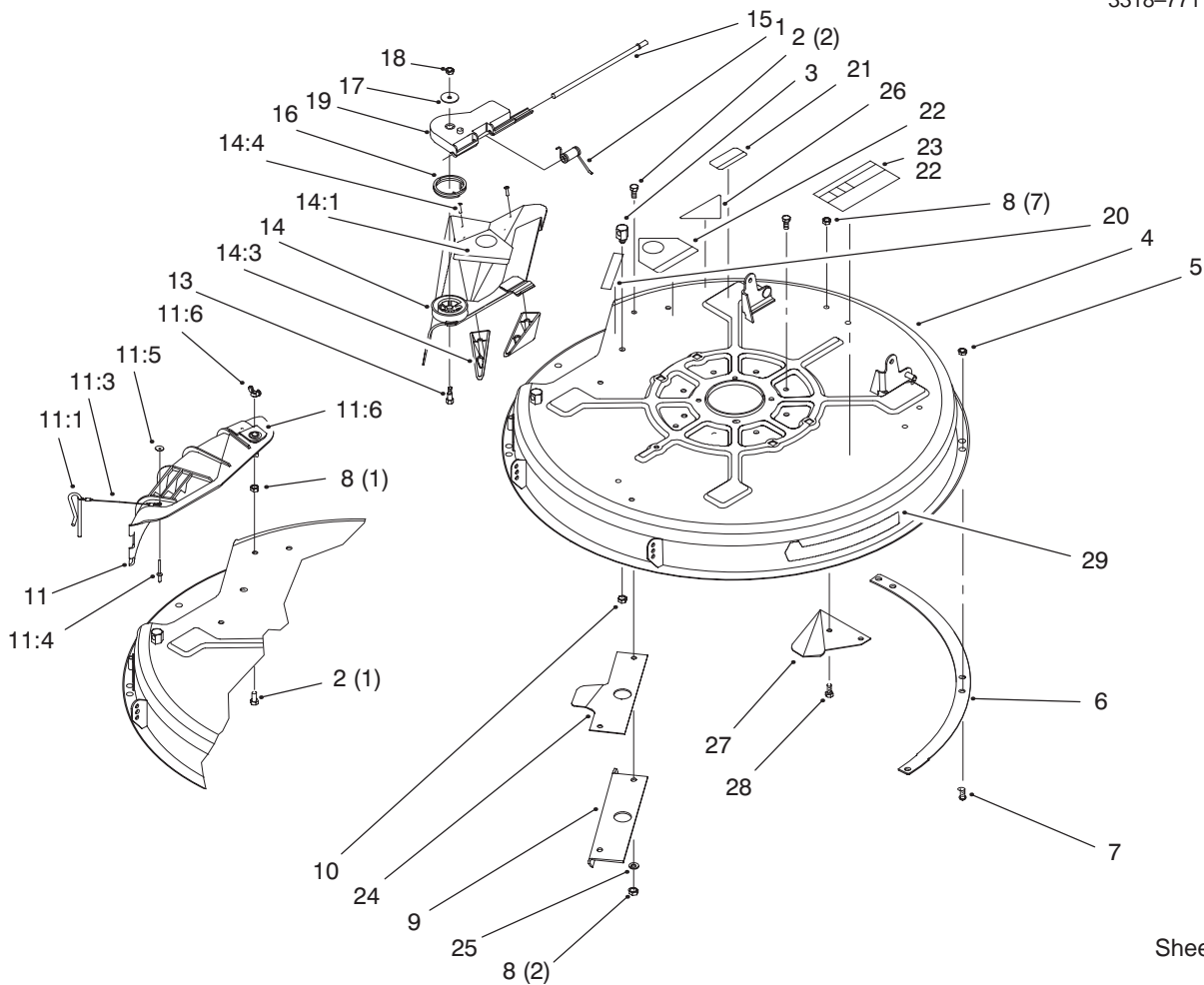


Sheet No.:14

DECK ASSEMBLY (32" CUTTING UNIT)

Ref. No.	Part No.	Qty.	Description
1	92-2493	1	Spring – Torsion
2	322-3	2	Screw-HH (Only On: 71188)
2	322-6	1	Screw-HH (Only On: 71201)
3	28-7350	1	Post-Pivot
4	88-5790-01	1	32" Cutter Deck Wa (Only on: 70201) (Serial No. 7900001-7901321)
4	95-7483	1	Deck Assembly (Only On: 71201) (Incl. Ref. #20-22) (Serial No. 7901322 & Up)
5	3296-29	8	Nut-Lock (Only On: 71201)
6	80-4490-03	4	Ring-Deck (Only On: 71201)
7	32122-14	8	Screw-Truss Hd (Only On: 71201)
8	3296-29	2	Nut-Lock (Only On: 71188)
8	3296-29	8	Nut-Lock (Only On: 71201)
9	44-5720-03	1	Baffle – Deck (Only On: 71188)

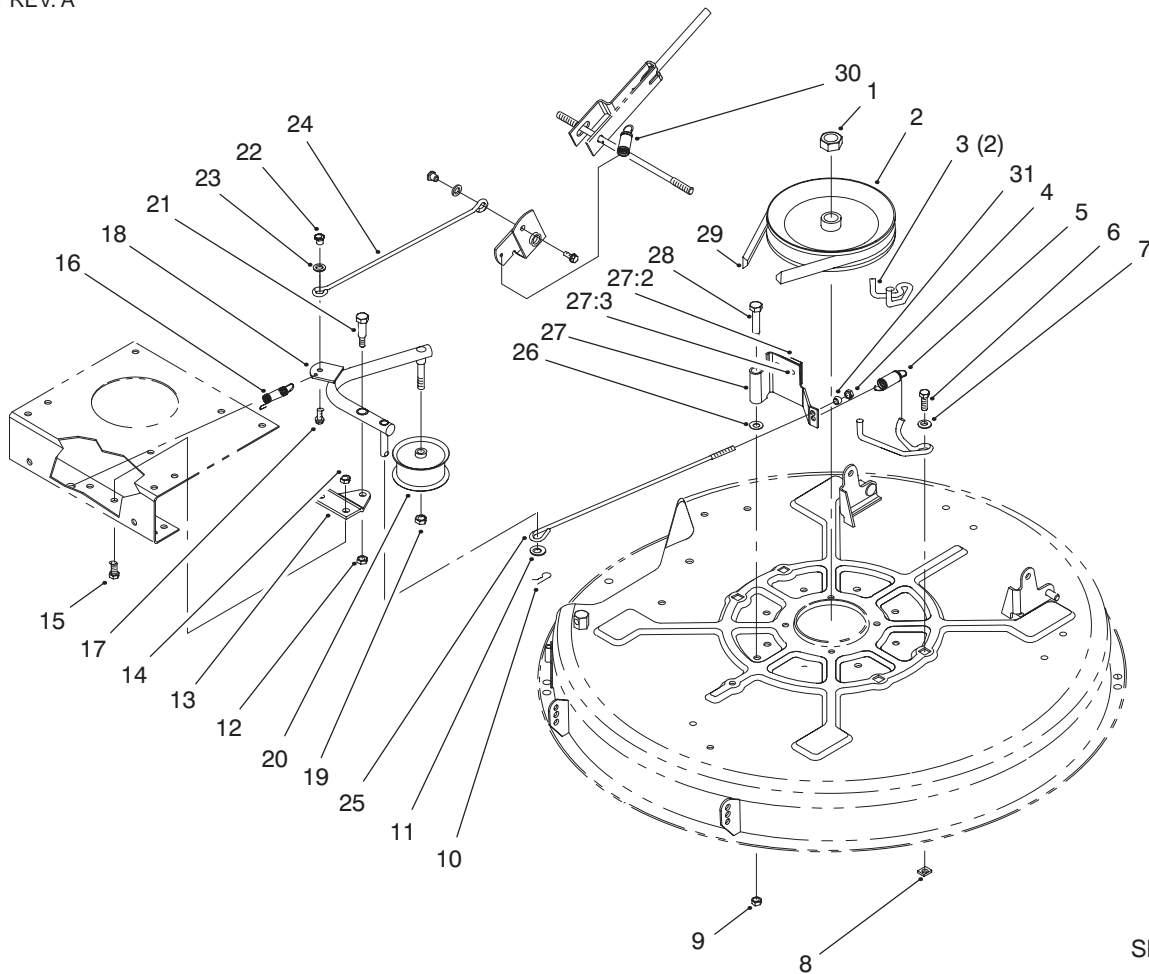
Ref. No.	Part No.	Qty.	Description
10	3296-59	1	Nut-Lock
11	82-6150	1	ASM-Cover (Only On: 71201)
11:1	28-8130	1	Pin-Lock (Only On: 71201)
11:3	28-8070	1	Lanyard (Only On: 71201)
11:4	3290-282	2	Pop Rivet (Only On: 71201)
11:5	3256-49	1	Washer-Flt (Only On: 71201)
11:6	83-7010-03	1	Brace – Cover (Only On: 71201)
12	32103-2	1	Nut-Wing (Only On: 71201)
13	92-8916	1	Bolt-Shoulder
14	93-0318	1	ASM-Deflector (Only On: 71188)
14	93-7694	1	32" Deflector (Only On: 71201)
14:1	93-1122	1	Decal-Danger (Only On: 71188)
14:1	93-7010	1	Decal-Danger (Only On: 71201)
14:2	88-4560	1	Deflector-Double Pivot (Only On: 71188)



Sheet No.:14

DECK ASSEMBLY (32" CUTTING UNIT) (Continued)

Ref. No.	Part No.	Qty.	Description	Ref. No.	Part No.	Qty.	Description
14:2	93-8494	1	Deflector -, 32" Int'l (Only On: 71201)	24	92-2494-03	1	Ramp - Deflector
14:3	93-7696	2	Kicker - Ce (Only On: 71201)	25	3256-23	2	Washer-Flat (Only On: 71188)
14:4	93-0231	4	Screw-Plastite (Only On: 71201)	27	80-2630-03	4	Kicker (Only On: 71201)
15	88-6150	1	Rod - Hinge	28	322-3	7	Screw-HH (Only On: 71201)
16	88-6160	1	Spring - Torsion	29	92-7988	1	Decal-Recycler (Only On: 71201)
17	3256-58	1	Washer-Flt				
18	3296-42	1	Nut-Lock				
19	88-4540	1	Hinge - Deflector				
20	68-3650	1	Decal-Danger (Only On: 71188)				
20	93-7009	1	Decal-Deflector Danger (Only On: 71201)				
21	55-4300	2	Decal-Warning (Only On: 71188)				
21	93-6674	2	Decal-Warninig (Only On: 71201)				
22	93-1122	1	Decal-Danger (Only On: 71188)				
22	93-7010	2	Decal-Danger (Only On: 71201)				
23	66-1340	1	Decal-Discharge (Only On: 71188)				

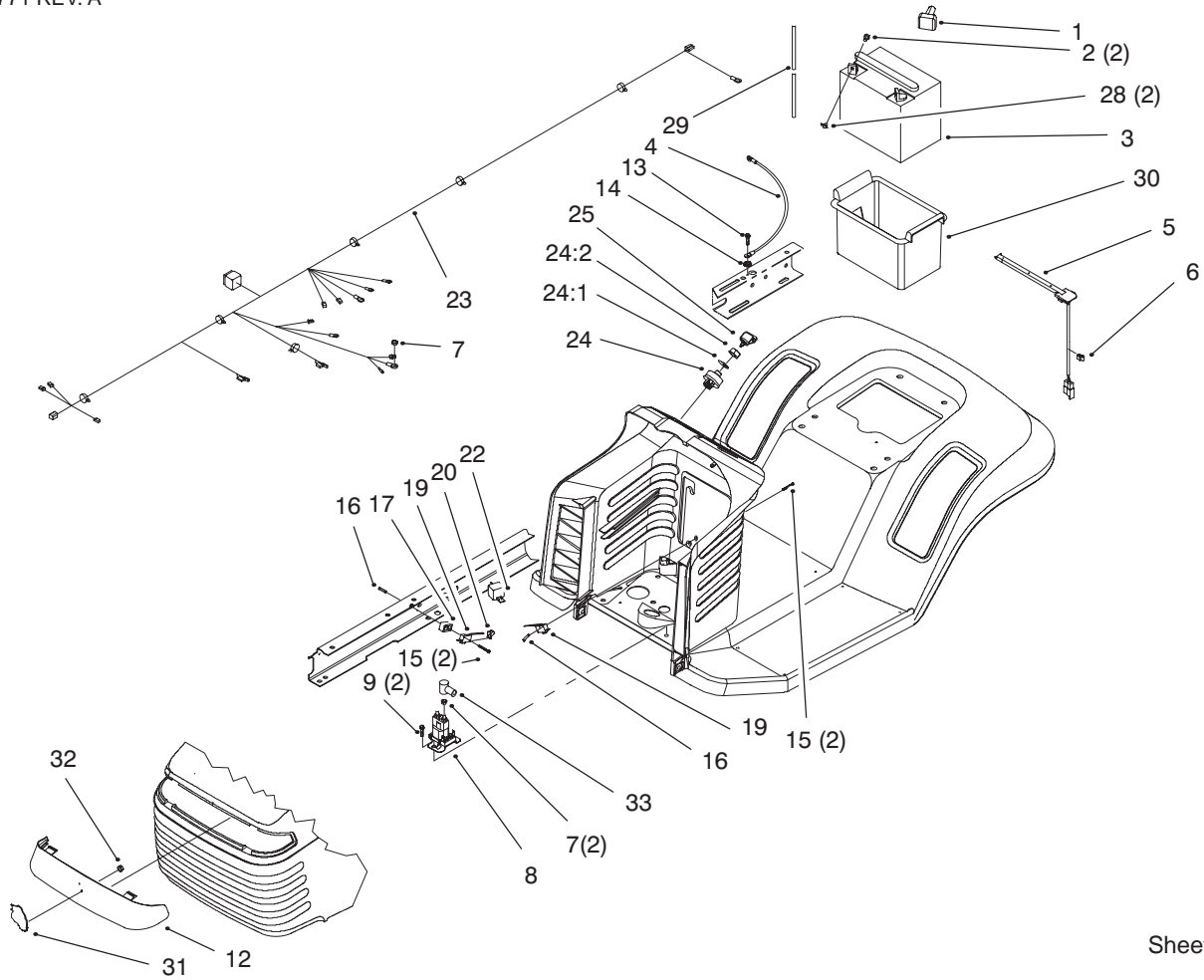


Sheet No.:15

PULLEY & BELT ASSEMBLY (32" CUTTING UNIT)

Ref. No.	Part No.	Qty.	Description
1	3219-7	1	Nut-Hex
2	88-5060	1	Pulley - Deck
3	88-5760	2	Belt Guide - Deck
4	3296-42	1	Nut-Lock
5	88-6330	1	Spring - Extension
6	322-5	2	Screw-HH
7	5-4460	2	Washer-Fender
8	3290-496	2	Nut - Retained
9	3296-29	1	Nut-Lock
10	3290-307	1	Pin-Cotter
11	3256-24	1	Washer-Flat
12	3296-29	1	Nut-Lock
13	88-5370-03	1	Plate - Idler Mount
14	3296-29	2	Nut-Lock
15	322-3	2	Screw-HH
16	26-6700	1	Spring - Extension
17	3234-13	2	Screw-HHF
18	88-5850-03	1	Idler Arm W.a.
19	3296-39	1	Nut-Lock
20	56-9870	1	Pulley-Idler 2.75" Dia
21	7-0030	1	Shoulder Bolt
22	47-4990	2	Post-Linkage Mount
23	3256-24	2	Washer-Flat
24	88-5980	1	Rod - Deck Engage
25	88-5690	1	Rod - Deck Brake
26	3256-23	1	Washer-Flat

Ref. No.	Part No.	Qty.	Description
27	88-6110	1	ASM. - Deck Brake
27:2	56-9830	1	Brake Pad
27:3	3290-282	2	Pop Rivet
28	88-4590	1	Bolt-Shoulder
29	88-6260	1	V-Belt
30	88-6420	1	Spring/Cable ASM
31	67-0710	1	Ball - Swivel

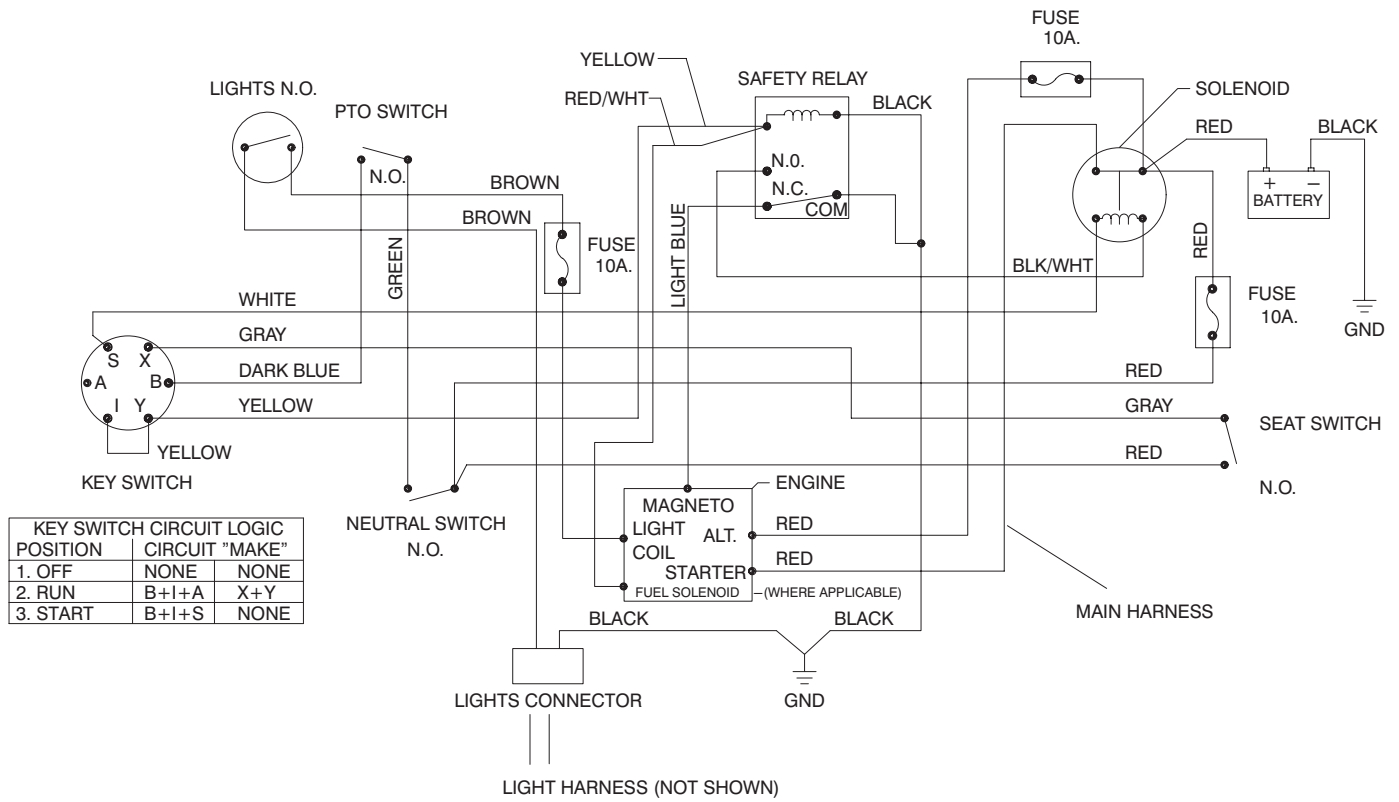


Sheet No.:20

ELECTRICAL ASSEMBLY

Ref. No.	Part No.	Qty.	Description
1	28-8080	1	Boot-Battery Terminal
2	321-4	2	Screw-HH
3	80-2600	1	Battery - 7 Plate
4	44-8110	1	Battery Cable -Neg
5	38-1420	1	Switch-Seat
6	702366	1	Clip-Wire Retainer
7	32149-2	3	Nut-Hex Lock
8	92-9845	1	Solenoid
9	9266714	2	Screw-HWHTF
12	88-3960	1	Lense - Headlights
13	9266714	1	Screw-HWHTF
14	3255-7	1	Washer-Lock
15	93-0539	4	Screw-PPH
16	3290-354	2	Nut-Speed
17	88-4880	1	Spacer - Microswitch
19	88-9932	2	Switch - Micro
20	93-3240	1	Seal-Plunger
22	116397	1	Relay
23	93-3810	1	Wire Harness
24	88-9830	1	Switch-Ignition
24:1	3254-5	1	Washer-Lock(F/W Switch)
24:2	218-461	1	Nut-HH (F/W Sw)
25	63-8360	1	Key-Ignition
28	32103-22	2	Nut-Wing

Ref. No.	Part No.	Qty.	Description
29	56-2540	1	Tube-Vent Use w/80-2600
30	88-4040	1	Battery Box
31	80-2240	1	Plate-Name Grille
32	3290-299	1	Nut - Tinnerman
33	94-5362	1	Boot-Terminal Insulator

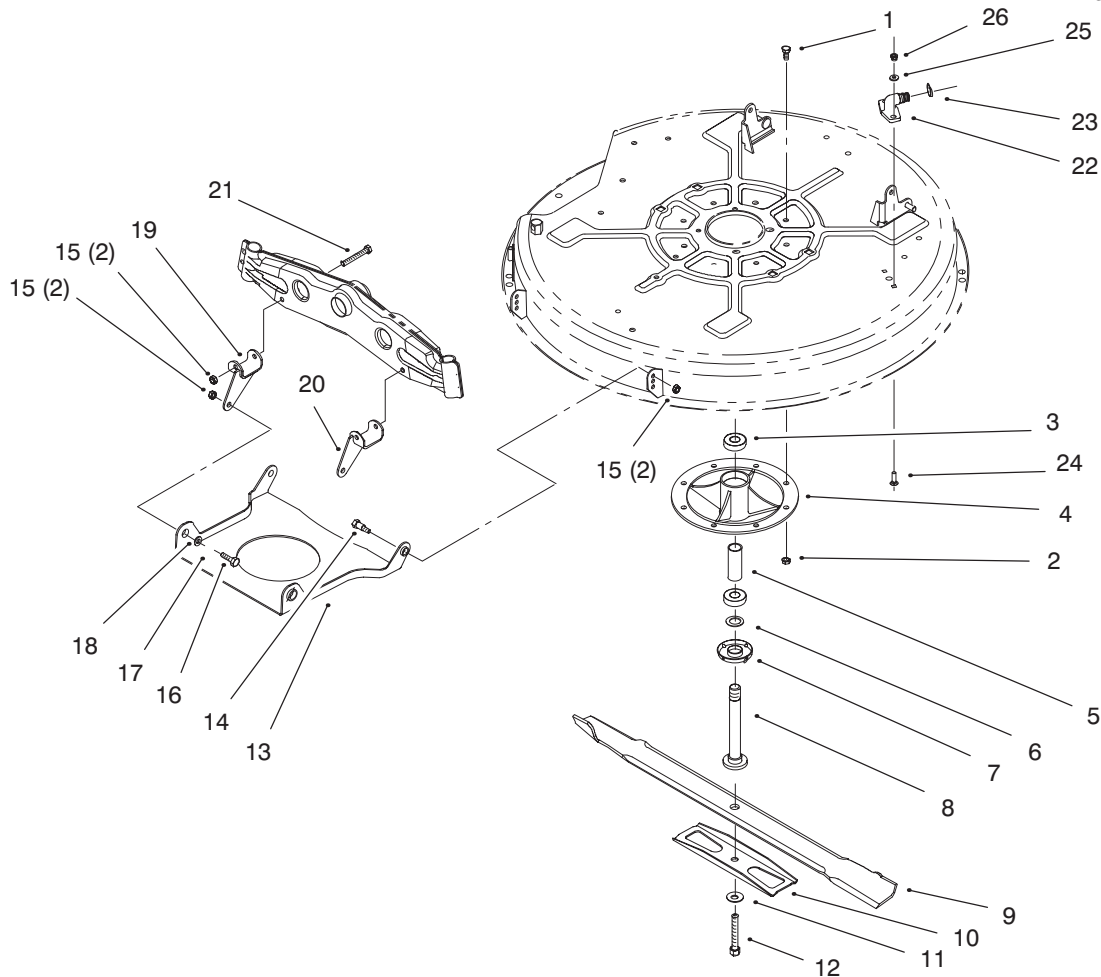


Sheet No.:21

ELECTRICAL SCHEMATIC

Ref. No.	Part No.	Qty.	Description

Ref. No.	Part No.	Qty.	Description

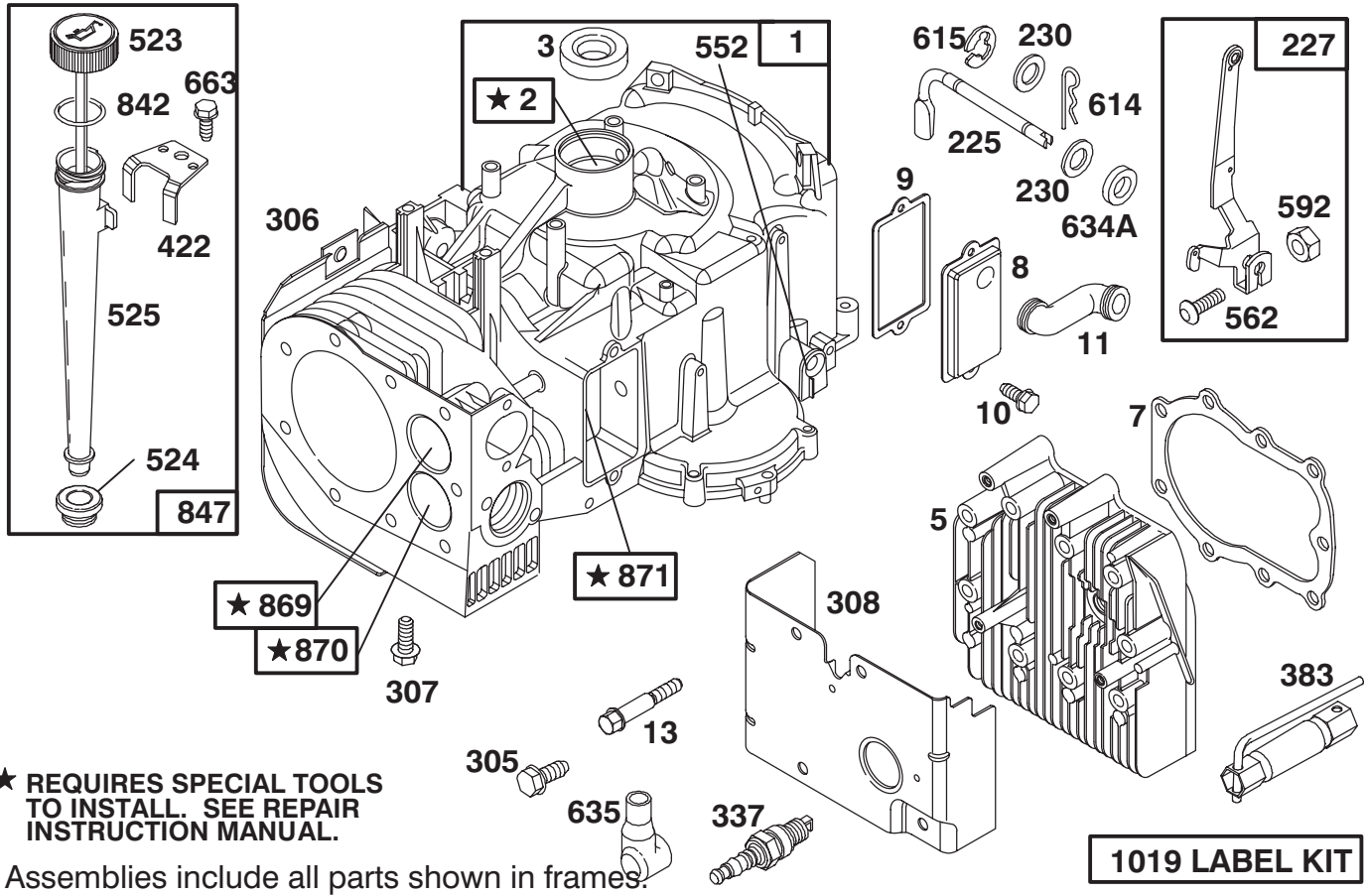


Sheet No.:26

SPINDLE & BLADE ASSEMBLY

Ref. No.	Part No.	Qty.	Description
1	322-3	8	Screw-HH
2	3296-29	8	Nut-Lock
3	251-297	2	Bearing-20mm
4	56-7030	1	Casting-Spindle Body
5	83-7020	1	Spacer-Bearing
6	80-4390	1	Spacer-Hardened
7	80-4370	1	Shield-Bearing
8	80-4350	1	Shaft - Spindle
9	33-4750	1	Blade - 32" (Only On: 71188)
9	80-4430	1	Blade-Recycler (Only On: 71201)
10	80-4570-03	1	Stiffener-Blade
11	3290-465	1	Washer-Spring
12	26-0671	1	Bolt-Blade
13	88-4940-03	1	Pan - Frt Deck Susp (32)
14	28-0540	2	Bolt-Shoulder
15	3296-29	6	Nut-Lock
16	322-6	2	Screw-HH
17	106661	2	Cam-Eccentric
18	3256-23	2	Washer-Flat
19	88-5640-03	1	Bracket Wa-RH
20	88-5650-03	1	Bracket Wa-LH
21	322-12	2	Screw HH

Ref. No.	Part No.	Qty.	Description
22	95-2747	1	Fitting-Washout (Only On: 71201) (Serial No. 7901322 & Up)
23	46-6290	1	O-Ring (Only On: 71201) (Serial No. 7901322 & Up)
24	3229-1	2	Bolt-Carriage (Only On: 71201) (Serial No. 7901322 & Up)
25	3256-1	2	Washer-Flat (Only On: 71201) (Serial No. 7901322 & Up)
26	3296-16	2	Nut-Lock (Only On: 71201) (Serial No. 7901322 & Up)

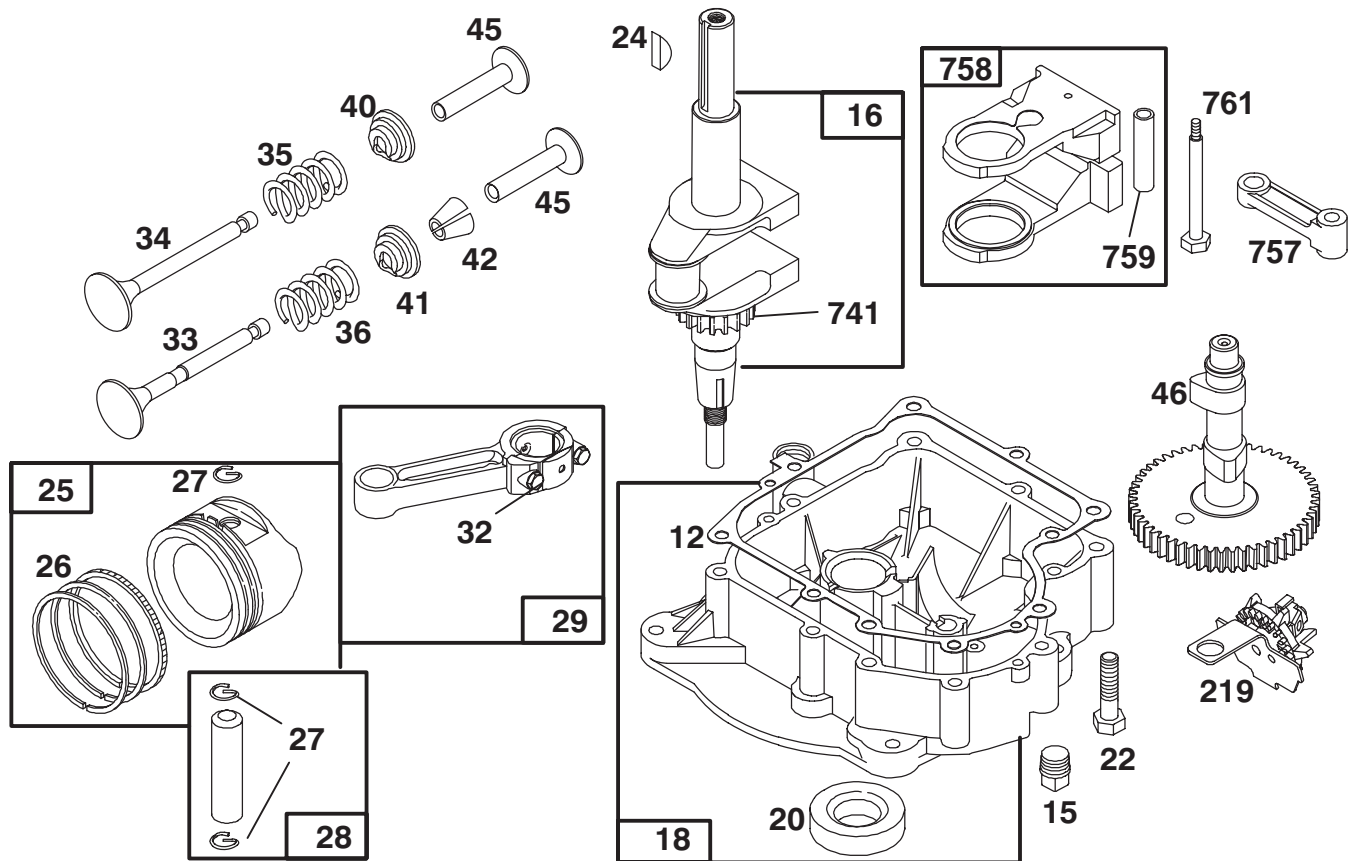


ENGINE BRIGGS & STRATTON MODEL 283707-0156-01

Ref. No.	Part No.	Description	No. Used
1	490450	Cylinder Assembly	1
2	399265	Bearing—Cylinder	1
★3	391086	Seal—Oil	1
5	494240	Head—Cylinder	1
★7	271866	Gasket—Cylinder Head	1
8	391406	Breather Assembly	1
★9	27803	Gasket—Valve Cover	1
10	94621	Screw—Sem	1
11	280100	Tube—Breather	1
13	94622	Screw—Cylinder Head	1
225	231058	Crank—Governor	1
227	493935	Lever Assy.—Governor	1
230	94742	Washer—Gov. Crank	1
305	94619	Screw—hex. Washer Hd.	1
306	224545	Shield—Cylinder	1
307	94623	Screw—Cyl. Shield Mtg.	1
308	491490	Cover—Cylinder Head	1
337	802592	Plug—Spark	1
383	89838	Wrench—Spark Plug	1
422	223721	Clamp—Oil Filler Tube	1

Ref. No.	Part No.	Description	No. Used
523	495230	Cap and Dipstick—Oil Filler	1
★524	68838	Seal—Filler Tube	1
525	280741	Tube—Oil Filler	1
552	231597	Bushing—Gov. Crank	1
562	92613	Bolt—Governor Lever	1
592	231082	Nut—Hex.	1
614	93306	Cotter—Hair Pin	1
615	93307	Retainer—E-Ring	1
★634A	491323	Seal—Governor	1
635	66538	Elbow—Spark Plug	1
663	94620	Screw—Hex Head	1
★842	270920	Seal—Oil Filler Cap	1
847	490474	Fill Group—Oil	1
869	261463	Seat—Intake Valve (Std.)	1
870	213316	Seat—Exhaust Valve (Std.)	1
871	261961	Guide—Exhaust Valve	1
		Note: 231218 Guide—Intake Valve	1
1019	491255	Label Kit	1

★ Included in Gasket Set—Part No. 494241.



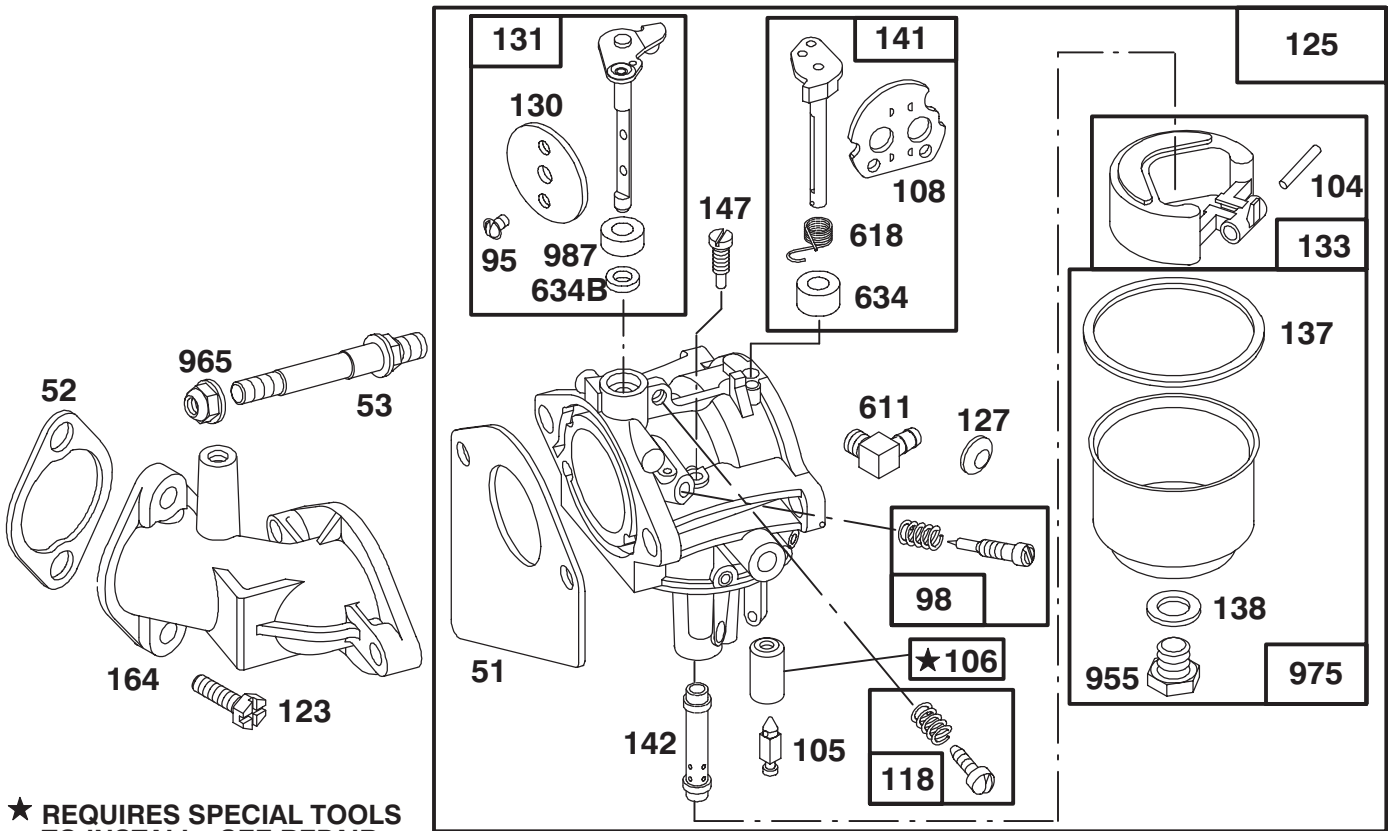
Assemblies include all parts shown in frames.

ENGINE BRIGGS & STRATTON MODEL 283707-0156-01

Ref. No.	Part No.	Description	No. Used
★12	271916	Gasket—Crkcs. (1/64")	1
★	271997	Gasket—Crkcs. (.005")	1
★	271996	Gasket—Crkcs. (.009")	1
15	94239	Plug—Oil Drain	1
16	495162	Crankshaft	1
	94196	Key—Timing Gear	1
18	494238	Base—Engine	1
★20	291675	Seal—Oil	1
22	94624	Screw—Base Mtg. Sem	1
24	222698	Key—Flywheel	1
25	394661	Piston Assy. (Std.)	1
	394662	Piston Assy. (.010" O.S.)	1
	394663	Piston Assy. (.020" O.S.)	1
	394664	Piston Assy. (.030" O.S.)	1
26	391780	Ring Set—Piston (Std.)	1
	391781	Ring Set—Piston (.010" O.S.)	1
	391782	Ring Set—Piston (.020" O.S.)	1
	391783	Ring Set—Piston (.030" O.S.)	1
27	260924	Lock—Piston Pin	1
28	299691	Pin Assy.—Piston (Standard)	1
	391286	Pin Assy.—Piston (.005" O.S.)	1

Ref. No.	Part No.	Description	No. Used
29	490348	Rod Assembly— Connecting	1
	490469	Connecting Rod (020" U.S. Crankpin Bore)	1
32	94671	Screw—Connecting Rod	1
33	262246	Valve—Exhaust	1
34	262247	Valve—Intake	1
35	65906	Spring—Intake Valve	1
36	26828	Spring—Exhaust Valve	1
40	221596	Retainer—Intake Valve	1
41	292260	Rotocoil—Exhaust Valve	1
42	93630	Retainer—Ex. Valve Rotocoil	1
45	262248	Tappet—Valve	1
46	212897	Gear—Cam	1
219	490815	Oil Slinger, Gov. Gear Assy.	1
741	262932	Gear—Timing	1
757	212359	Link—Counterweight	1
758	399891	Counterweight Assy.	1
759	298909	Pin—Counterweight	1
761	93875	Screw—Counterweight	1

★ Included in Gasket Set—Part No. 494241.



★ REQUIRES SPECIAL TOOLS TO INSTALL. SEE REPAIR INSTRUCTION MANUAL.

Assemblies include all parts shown in frames.

ENGINE BRIGGS & STRATTON MODEL 283707-0156-01

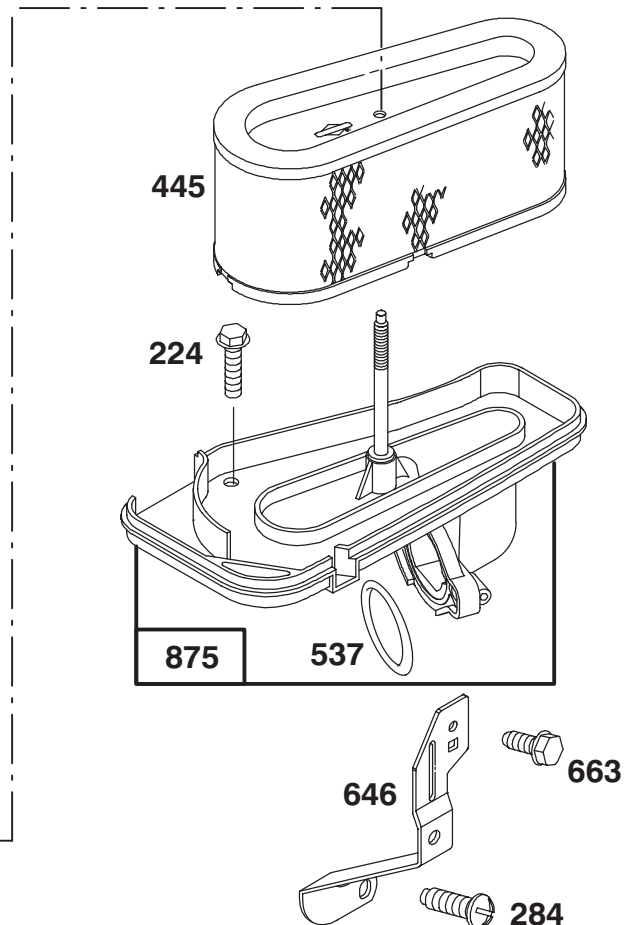
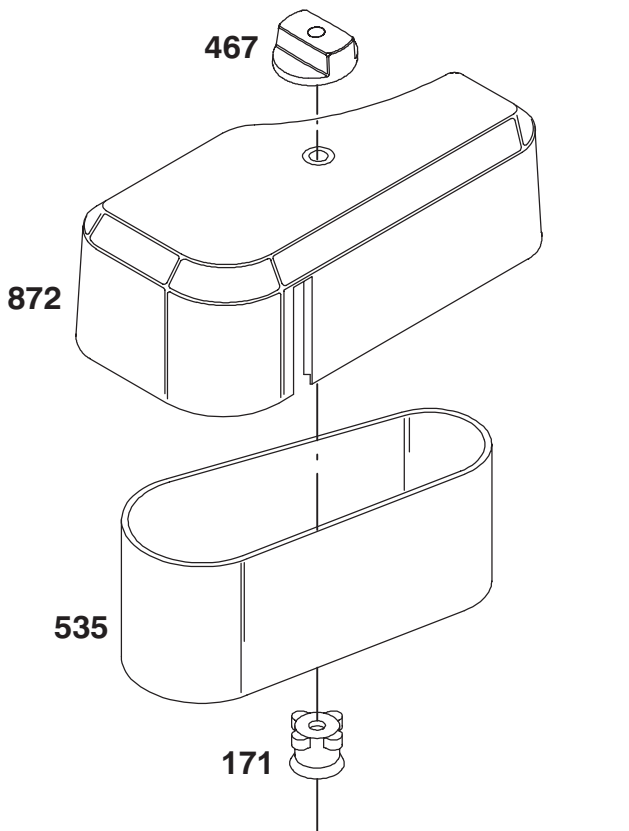
Ref. No.	Part No.	Description	No. Used
◆5	1272465	Gasket—Carburetor (Carb. to Elbow)	1
★52	272554	Gasket—Carburetor (Elbow to Cylinder)	1
53	94637	Stud—Carb. Mtg.	1
●95	94098	Screw—Throttle	1
98	495800	Screw—Idle Speed	1
●104	231789	Pin—Float Hinge	1
●105	231855	Valve Assy.—Inlet Needle	1
●106	231854	Inlet Valve Seat	1
108	224540	Valve—Choke	1
118	494383	Valve—Needle	1
121	495799	Carburetor Overhaul Kit	1
123	94616	Screw—Elbow Mtg.	1
125	495706	Carburetor Assembly	1
●127		Plug—Welch (Sold in Kit Only).	1
130	224539	Valve—Throttle	1

Ref. No.	Part No.	Description	No. Used
131	494379	Shaft and Lever— Throttle	1
133	494381	Float—Carburetor	1
●◆137	281165	Gasket—Float Bowl	1
●◆138	281164	Washer—Float Bowl Screw	1
141	494380	Shaft and Lever—Choke	1
●142	494537	Nozzle—Carburetor	1
●147	231794	Pilot—Jet	1
164	213819	Carburetor—Elbow	1
611	494451	Fuel Inlet Tube	1
618	262803	Spring—Choke Return	
●634	281168	Seal—Choke Shaft	1
●634B	281167	Washer—Throttle Shaft	1
955	94642	Screw—Fuel Bowl	1
965	94108	Locknut—Air Cleaner Mtg.	1
975	494378	Bowl Assy.—Carburetor	1
977	494385	Carburetor Gasket Kit	1
●987	281166	Seal—Throttle Shaft	1

◆ Included in Carburetor Gasket Set—Part No.494385.

★ Included in Gasket Set—Part No. 494241.

● Included in Carburetor Overhaul Kit—Part No. 495799.



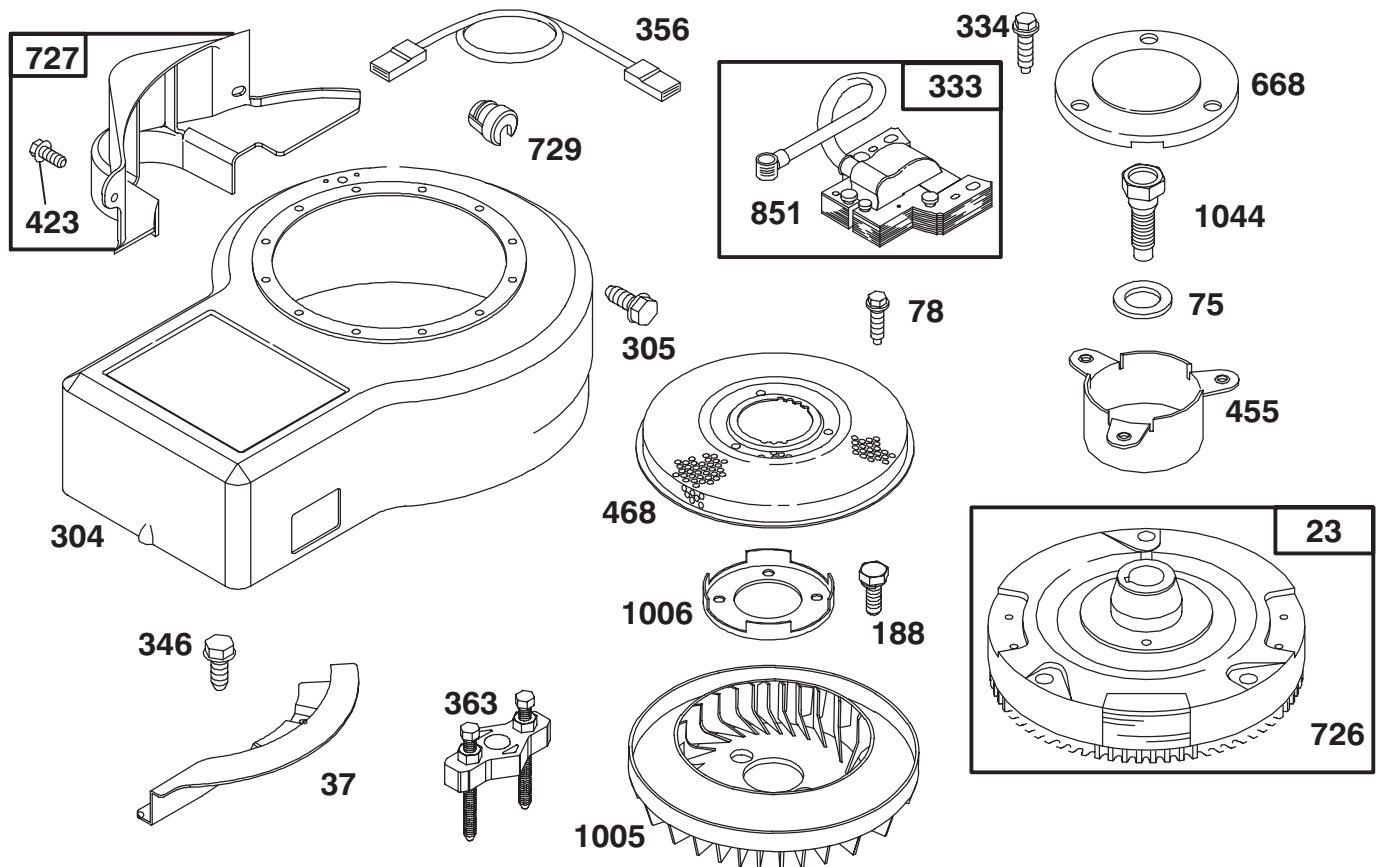
Assemblies include all parts shown in frames.

ENGINE BRIGGS & STRATTON MODEL 283707-0156-01

Ref. No.	Part No.	Description	No. Used
171	281051	Nut—Air Cleaner Mtg.	1
224	94513	Screw—Air Cleaner Sem	1
284	94326	Screw Hex. Head	1
445	493909	Cartridge—Air Cleaner	1
467	493903	Knob—Air Cleaner	1
535	272403	Element—Air Cleaner	1

Ref. No.	Part No.	Description	No. Used
★537	281106	O-Ring—Air Cleaner	1
646	224546	Brace—Air Cleaner	1
663	94620	Screw—Hex. Hd.	1
872	281104	Cover—Air Cleaner	1
875	494237	Body—Air Cleaner	1

★ Included in Gasket Set—Part No. 494241.



Assemblies include all parts shown in frames.

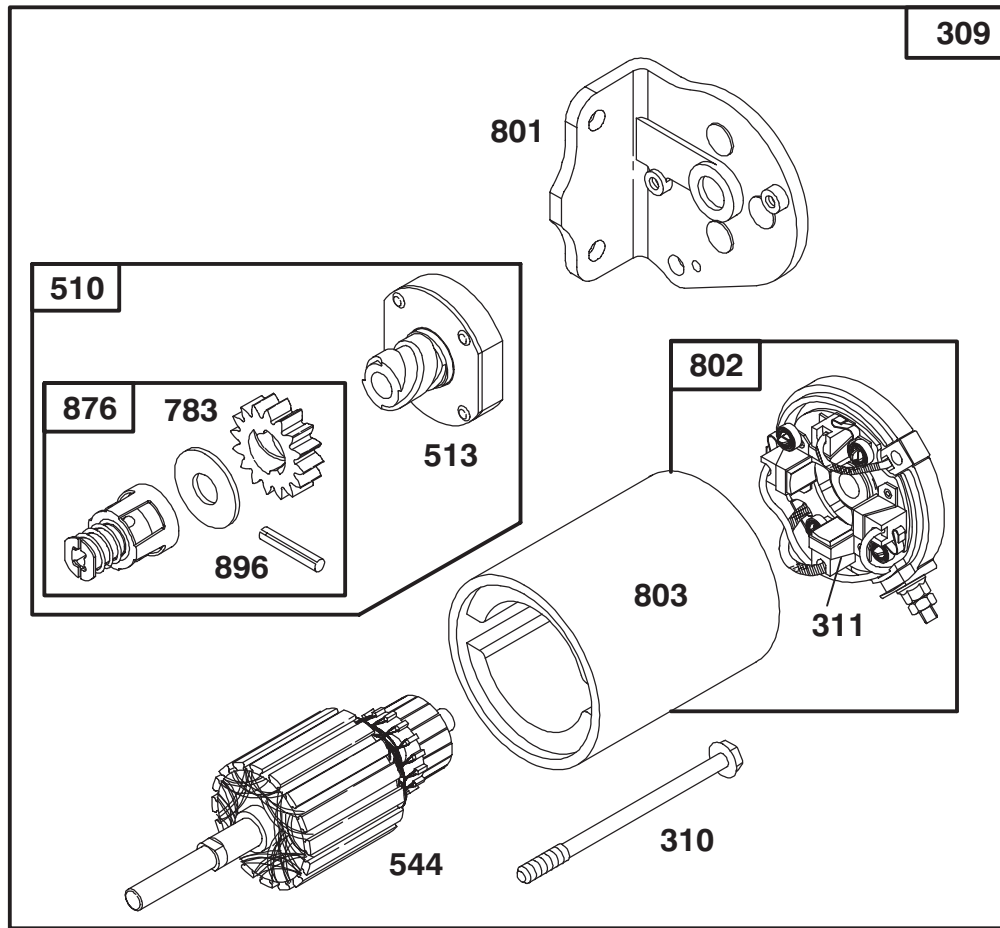
ENGINE BRIGGS & STRATTON MODEL 283707-0156-01

Ref. No.	Part No.	Description	No. Used	Ref. No.	Part No.	Description	No. Used
23	492326	Flywheel and Ring Gear Assy.—Magneto	1	423	94073	Screw—Sem	1
37	224502	Guard—Flywheel	1	455	222561	Cup—Screen Mounting	1
75	224061	Washer—Spring	1	468	222562	Screen—Flush Rotating	1
78	93805	Screw—Sem	1	668	280848	Spacer	1
188	93535	Screw—Sem (3/4" Long)	1	726	392134	Gear—Ring (Includes Mtg Hardware)	1
304	494269	Housing—Blower	1	727	490324	Cover—Starter	1
305	94619	Screw—Blower Housing Mtg.	1	729	281159	Clip—Lead Wire	1
333	492341	Armature—Magneto	1	851	221798	Terminal—Ignition Cable	1
334	93381	Screw—Armature Mtg.	1	1005	280687	Fan—Flywheel	1
346	93705	Screw—Hex. Head	1	1006	224413	Retainer—Fan	1
356	494328	Wire Assembly	1	1044	94673	Screw—Hex. Head	1
363	19203	Puller—Flywheel	1				

729A



728

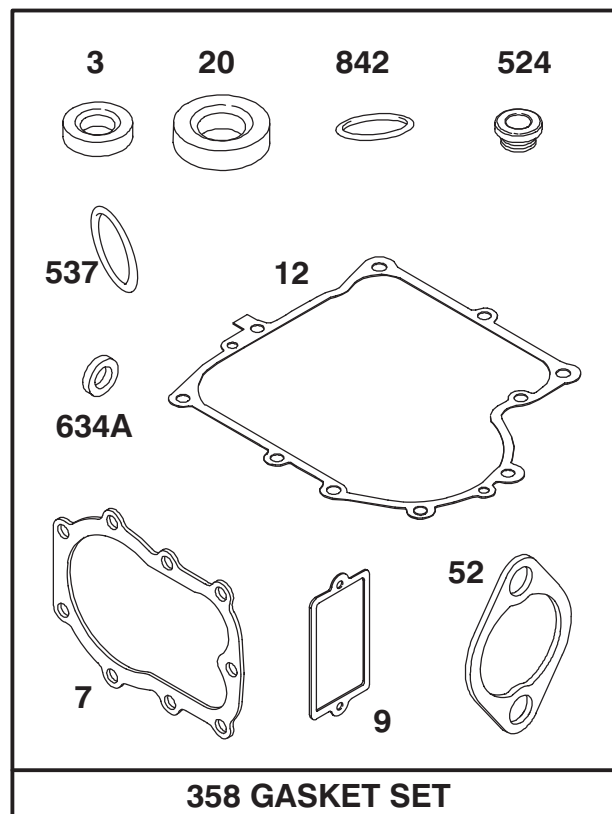
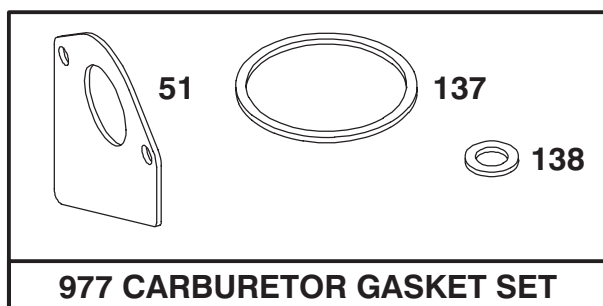
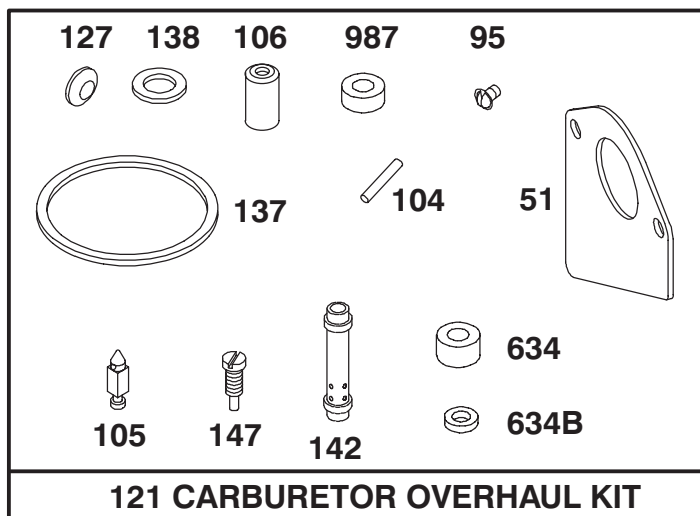


Assemblies include all parts shown in frames.

ENGINE BRIGGS & STRATTON MODEL 283707-0156-01

Ref. No.	Part No.	Description	No. Used
309	394805	Motor and Drive Assy.	1
310	94003	Bolt Hex. Hd.	1
311	395538	Brush Assy.	1
510	490421	Starter Drive Assy.	1
513	398003	Clutch Assy.	1
544	390837	Armature Assy.	1
728	94627	Screw-Hex. Hd.	1

Ref. No.	Part No.	Description	No. Used
729A	224723	Retainer-Wire	1
783	280104	Gear	1
801	394856	Drive End Cap Assy.	1
802	395537	End Cap Assy. Commutator	1
803	398159	Housing Assy.	1
876	490467	Retainer And Pin	1
896	94288	Pin-Roll	1



Assemblies include all parts shown in frames.

ENGINE BRIGGS & STRATTON MODEL 283707-0156-01

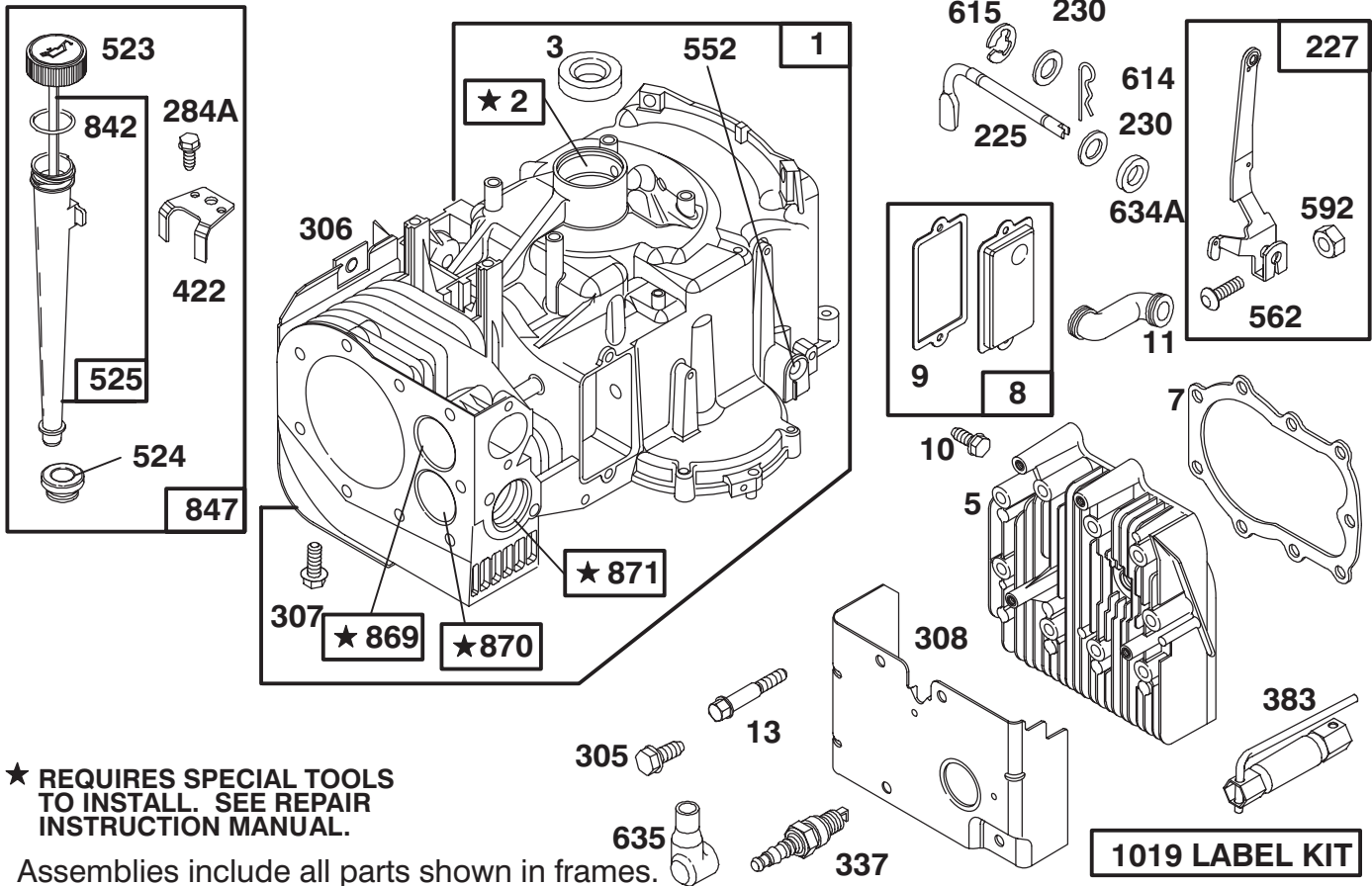
Ref. No.	Part No.	Description	No. Used
★3	391086	Seal—Oil	1
★7	271866	Gasket—Cylinder Head	1
★9	27803	Gasket—Valve Cover	1
★12	271916	Gasket—Crankcase Cover (1/64" Thick)	1
★	271997	Gasket—Crankcase Cover (.005" Thick)	1
★	271996	Gasket—Crankcase Cover (.009" Thick)	1
★20	291675	Seal—Oil	1
◆★51	272465	Gasket—Carburetor (Carb. to Elbow)	1
★52	272554	Gasket—Carburetor (Elbow to Cylinder)	1
●95	94098	Screw—Throttle	1
●104	231789	Pin—Float Hinge	1
●105	231855	Valve Assy.—Inlet Needle	1
●106	231854	Inlet Valve Seat	1

★ Included in Gasket Set—Part No. 494241.

● Included in Carburetor Overhaul Kit—Part No. 495799.

Ref. No.	Part No.	Description	No. Used
121	495799	Carburetor Overhaul Kit	1
●127		Plug—Welch (Sold in Kit Only).	1
◆●137	281165	Gasket—Float Bowl	1
◆●138	281164	Washer—Float Bowl Screw	1
●142	494537	Nozzle—Carburetor	1
●147	231794	Pilot—Jet	1
358	494241	Gasket Set	1
★524	68838	Seal—Filler Tube	1
★537	281106	O-Ring—Air Cleaner	1
●634	281168	Seal—Choke Shaft	1
★634A	491323	Seal—Governor	1
●634B	281167	Washer—Throttle Shaft	1
★842	270920	Seal—Oil Filler Cap	1
977	494358	Carburetor Gasket Set	1
●987	281166	Seal—Throttle Shaft	1

◆ Included in Carburetor Gasket Set—Part No. 494385.

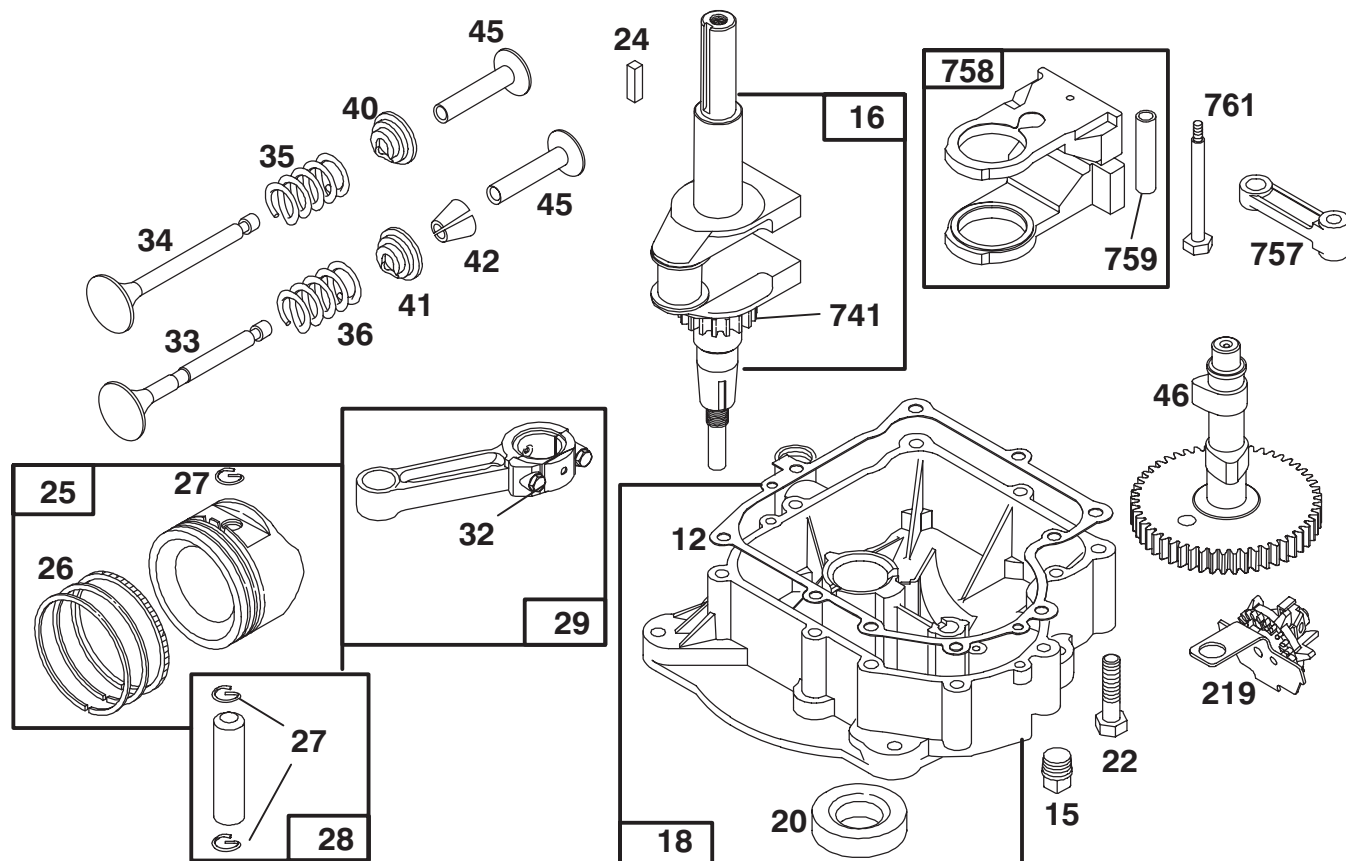


ENGINE BRIGGS & STRATTON MODEL 282707-0119-01

Ref. No.	Part No.	Description	No. Used
1	496414	Cylinder Assembly	1
2	399265	Bearing—Cylinder	1
★3	391086	Seal—Oil	1
5	494240	Head—Cylinder	1
★7	271866	Gasket—Cylinder Head	1
8	495735	Breather Assembly	1
★9	27803	Gasket—Valve Cover	1
10	94621	Screw—Sem	1
11	280100	Tube—Breather	1
13	94622	Screw—Cylinder Head	1
225	231058	Crank—Governor	1
227	493935	Lever Assy.—Governor	1
230	94742	Washer—Gov. Crank	1
284A	94602	Screw—Hex. Head	1
305	94786	Screw—Hex. Washer Hd.	1
306	224545	Shield—Cylinder	1
307	94623	Screw—Cyl. Shield Mtg.	1
308	491490	Cover—Cylinder Head	1
337	802592	Plug—Spark	1
383	89838	Wrench—Spark Plug	1

Ref. No.	Part No.	Description	No. Used
422	224390	Clamp—Oil Fill	1
523	495230	Cap—Oil Filler	1
★524	68838	Seal—Filler Tube	1
525	495768	Tube—Oil Filler	1
552	231597	Bushing—Gov. Crank	1
562	92613	Bolt—Governor Lever	1
592	231082	Nut—Hex.	1
614	93306	Cotter—Hair Pin	1
615	93307	Retainer—E-Rin	1
★634A	491323	Seal—Governor	1
635	66538	Elbow—Spark Plug	1
★842	270920	Seal—Oil Filler Cap	1
847	490474	Fill Group—Oil	1
869	261463	Seat—Intake Valve (Std.)	1
870	213316	Seat—Exhaust Valve (Std.)	1
871	261961	Guide—Exhaust Valve	1
		Note: 231218 Guide – Intake Valve	1
1019	491252	Label Kit	1

★ Included in Gasket Set—Part No. 494241.



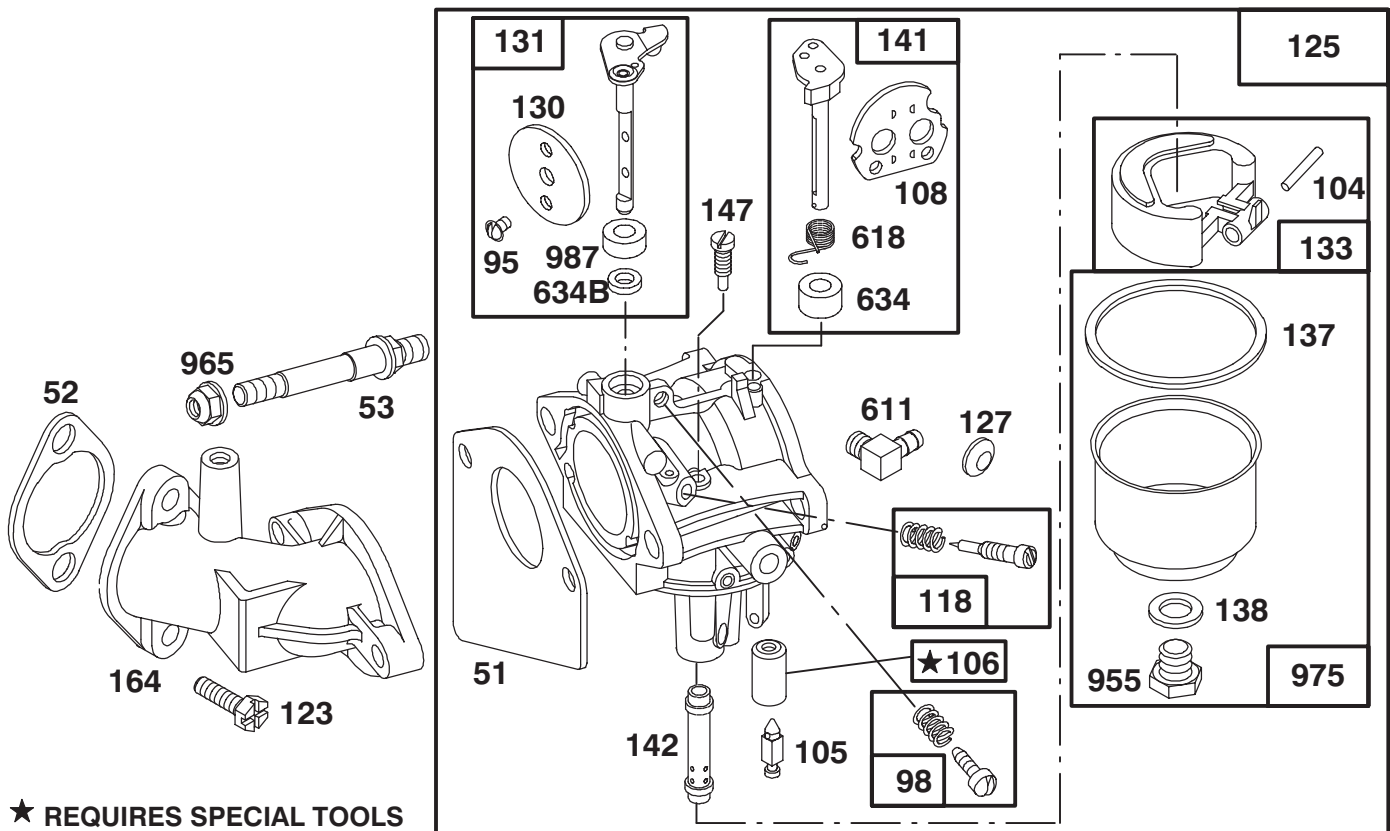
Assemblies include all parts shown in frames.

ENGINE BRIGGS & STRATTON MODEL 282707-0119-01

Ref. No.	Part No.	Description	No. Used
★12	271916	Gasket—Crkcse. (1/64" Thick)	1
★	271997	Gasket—Crkcse. (.005" Thick)	1
★	271996	Gasket—Crkcse. (.009" Thick)	1
15	94239	Plug—Oil Drain	1
16	495162	Crankshaft	1
	94196	Key—Timing Gear	1
18	494238	Base—Engine	1
★20	291675	Seal—Oil	1
22	94624	Screw—Base Mtg. Sem	1
24	222698	Key—Flywheel	1
25	391285	Piston Assy. (Std.)	1
	391287	Piston Assy. (.010" O.S.)	1
	391288	Piston Assy. (.020" O.S.)	1
	391289	Piston Assy. (.030" O.S.)	1
26	391780	Ring Set—Piston (Std.)	1
	391781	Ring Set—Piston (.010" O.S.)	1
	391782	Ring Set—Piston (.020" O.S.)	1
	391783	Ring Set—Piston (.030" O.S.)	1

Ref. No.	Part No.	Description	No. Used
27	260924	Lock—Piston Pin	1
28	299691	Pin Assy.—Piston (Std.)	1
	391286	Pin—Piston (.005" O.S.)	1
29	490348	Rod—Connecting	1
	490469	Rod—Connecting (020" U.S. Crankpin Bore)	1
32	94671	Screw—Connecting Rod	1
33	262246	Valve—Exhaust	1
34	262247	Valve—Intake	1
35	65906	Spring—Intake Valve	1
36	26828	Spring—Exhaust Valve	1
40	221596	Retainer—Intake Valve	1
41	292260	Rotocoil—Exhaust Valve	1
42	494553	Retainer—Ex. Valve Rotocoil	1
45	262248	Tappet—Valve	1
46	212897	Gear—Cam	1
219	490815	Slinger—Oil	1
741	262932	Gear—Timing	1
757	212359	Link—Counterweight	1
758	399891	Counterweight Assy.	1
759	298909	Pin—Counterweight	1
761	93875	Screw—Counterweight	1

★ Included in Gasket Set—Part No. 494241.



★ REQUIRES SPECIAL TOOLS TO INSTALL. SEE REPAIR INSTRUCTION MANUAL.

Assemblies include all parts shown in frames.

ENGINE BRIGGS & STRATTON MODEL 282707-0119-01

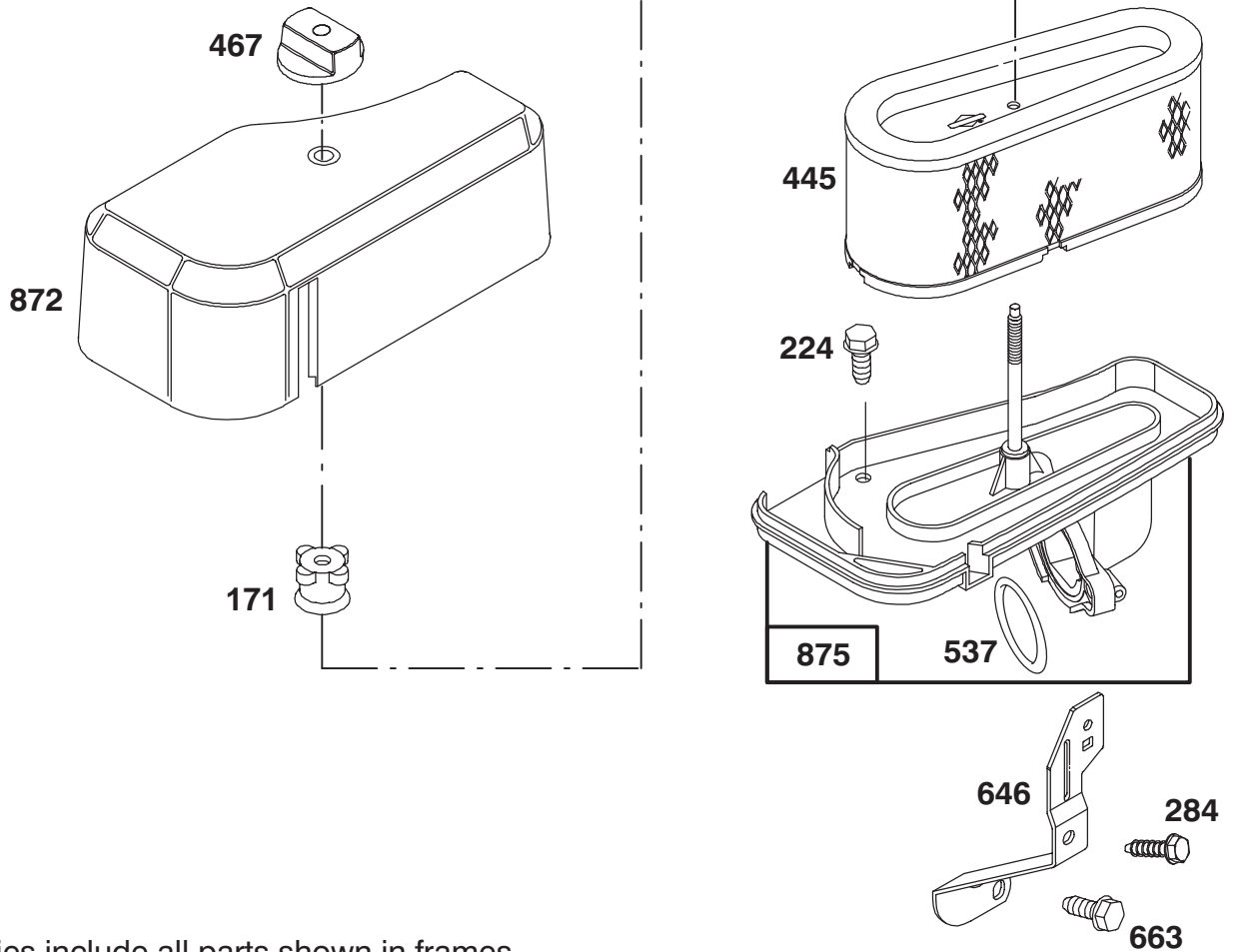
Ref. No.	Part No.	Description	No. Used
51	272465	Gasket—Carburetor (Carb. to Elbow)	1
★52	272554	Gasket—Carburetor (Elbow to Cylinder)	1
53	94637	Stud—Carb. Mtg.	1
●95	94098	Screw—Throttle	1
98	495800	Screw—Idle Speed	1
●104	231789	Pin—Float Hinge	1
●105	231855	Valve Assy.—Inlet Needle	1
●106	231854	Inlet Valve Seat	1
108	224540	Valve—Choke	1
118	494383	Valve—Needle	1
121	495799	Carburetor Overhaul Kit	1
123	94616	Screw—Elbow Mtg.	1
125	495706	Carburetor Assembly	1
●127		Plug—Welch (Sold in Kit Only).	1
130	224539	Valve—Throttle	1

Ref. No.	Part No.	Description	No. Used
131	494379	Shaft and Lever— Throttle	1
133	494381	Float—Carburetor	1
◆◆137	281165	Gasket—Float Bowl	1
◆◆138	281164	Washer—Float Bowl Screw	1
141	495931	Shaft and Lever—Choke	1
●142	494537	Nozzle—Carburetor	1
●147	231794	Pilot—Jet	1
164	213819	Carburetor—Elbow	1
611	494451	Fuel Inlet Tube	1
618	262803	Spring—Choke Return	1
●634	281168	Seal—Choke Shaft	1
●634B	398970	Washer—Throttle Shaft	1
955	94642	Screw—Fuel Bowl	1
965	94010	Locknut—Air Cleaner Mtg.	1
975	494378	Bowl Assy.—Carburetor	1
977	494385	Carburetor Gasket Kit	1
●987	281166	Seal—Throttle Shaft	1

◆ Included in Carburetor Gasket Set—Part No.494385.

★ Included in Gasket Set—Part No. 494241.

● Included in Carburetor Overhaul Kit—Part No. 495799.



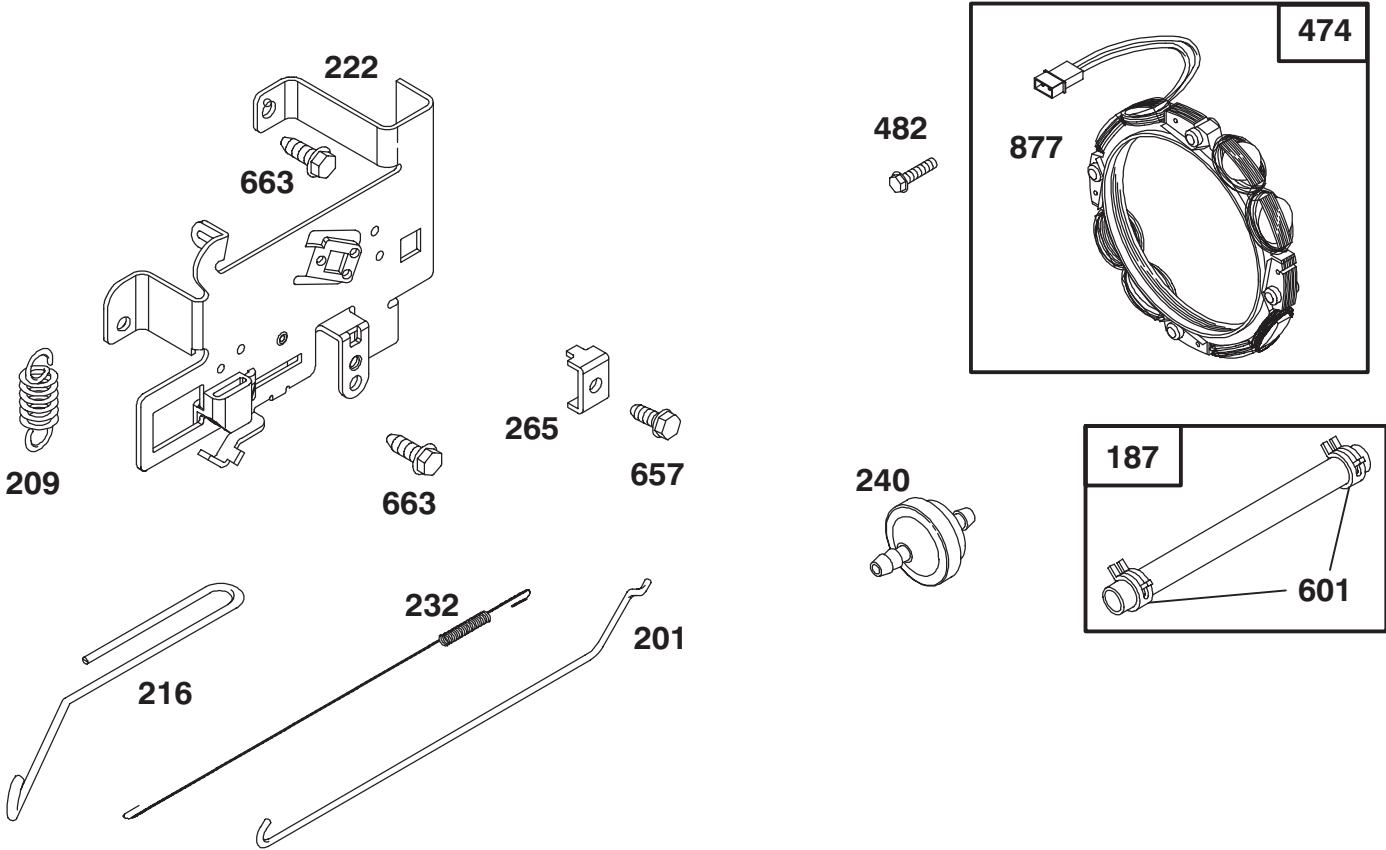
Assemblies include all parts shown in frames.

ENGINE BRIGGS & STRATTON MODEL 282707-0119-01

Ref. No.	Part No.	Description	No. Used
171	281051	Nut—Air Cleaner Mtg.	1
224	94729	Screw—Air Cleaner Sem	1
284	94704	Screw Hex. Head	1
445	493909	Cartridge—Air Cleaner	1
467	493903	Knob—Air Cleaner	1

Ref. No.	Part No.	Description	No. Used
★537	281106	O-Ring—Air Cleaner	1
646	224546	Brace—Air Cleaner	1
663	94620	Screw—Hex. Hd.	1
872	281104	Cover—Air Cleaner	1
875	494237	Body—Air Cleaner	1

★ Included in Gasket Set—Part No. 494241.

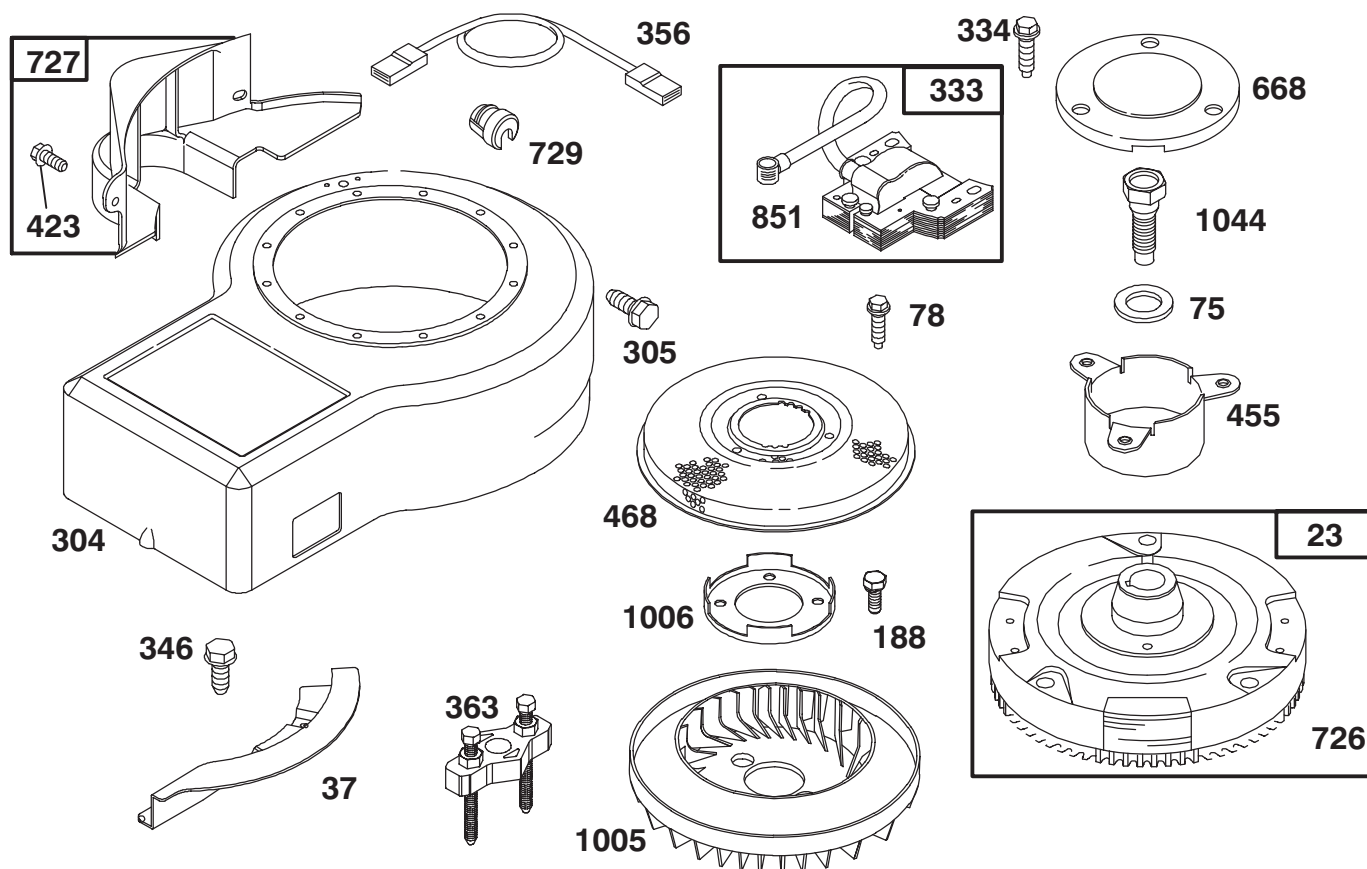


Assemblies include all parts shown in frames.

ENGINE BRIGGS & STRATTON MODEL 282707-0119-01

Ref. No.	Part No.	Description	No. Used
187	393815	Line-Fuel (11" Long, Cut to Suit)	1
201	262767	Link-Governor	1
209	260871	Spring-Governor	1
216	262766	Link-Choke	1
222	495611	Plate-Governor Control	1
232	262785	Spring-Governor Link	1
240	394358	Filter-Fuel	1
265	221535	Clamp-Casing	1

Ref. No.	Part No.	Description	No. Used
474	393474	Stator-Alternator (Dual Circuit)	1
482	93621	Screw-Sem	1
601	93053	Clamp-Fuel Pipe	1
657	93496	Screw-Sem	1
663	94620	Screw-Hex. Hd.	1
877	393456	Diode and Connector Assy. (Dual Circuit)	1



Assemblies include all parts shown in frames.

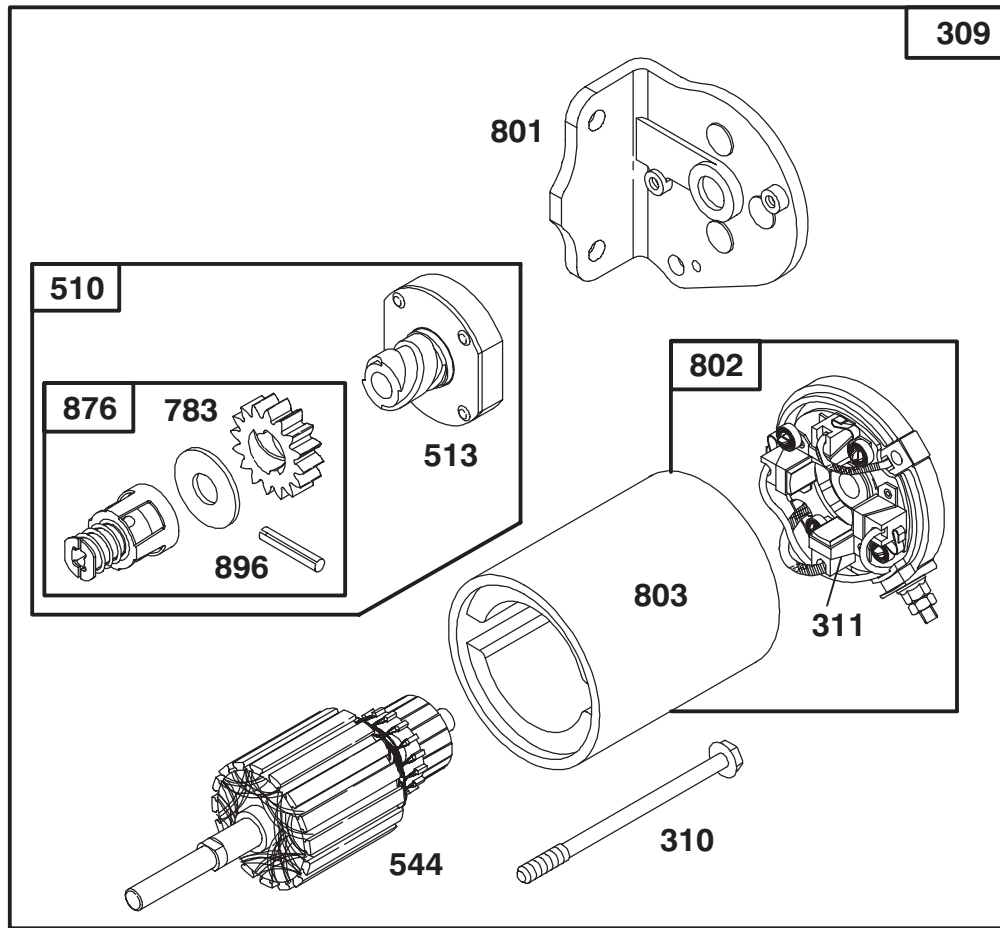
ENGINE BRIGGS & STRATTON MODEL 282707-0119-01

Ref. No.	Part No.	Description	No. Used	Ref. No.	Part No.	Description	No. Used
23	492326	Flywheel and Ring Gear Assy.—Magneto	1	363	19203	Puller—Flywheel	1
37	224502	Guard—Flywheel	1	423	94073	Screw—Sem	1
75	224061	Washer—Spring	1	455	222561	Cup—Screen Mounting	1
78	93805	Screw—Sem	1	468	222562	Screen—Flush Rotating	1
188	94627	Screw—Sem	1	668	280848	Spacer	1
304	494269	Housing—Blower	1	726	392134	Gear—Ring (Includes Mtg Hardware)	1
305	94786	Screw—Blower Housing Mounting	1	727	490324	Cover—Starter	1
333	492341	Armature—Magneto	1	729	281159	Clip—Lead Wire	1
334	93381	Screw—Armature Mtg.	1	851	221798	Terminal—Ignition Cable	1
346	93705	Screw—Hex. Head	1	1005	280687	Fan—Flywheel	1
356	494328	Wire Assembly	1	1006	224413	Retainer—Fan	1
				1044	94673	Screw—Hex. Head	1

729A



728

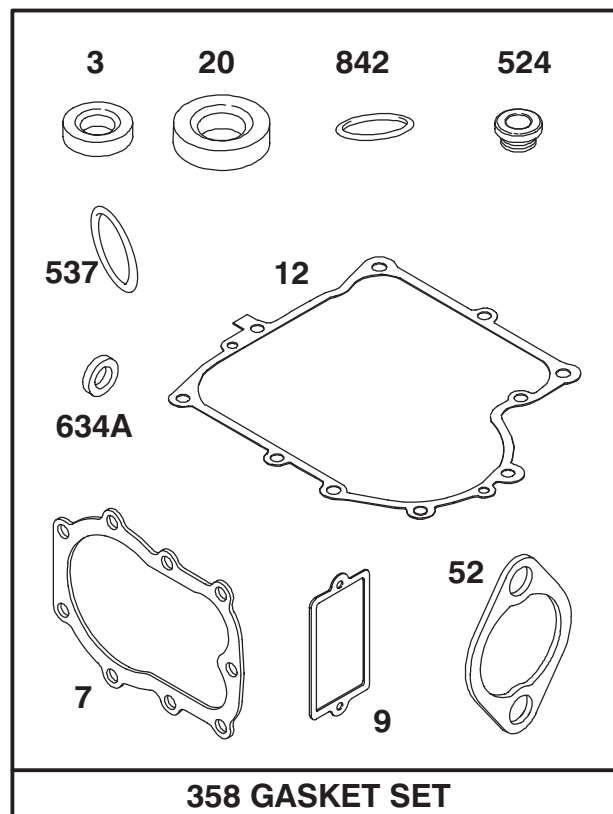
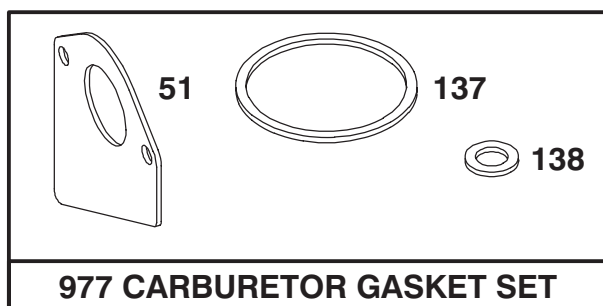
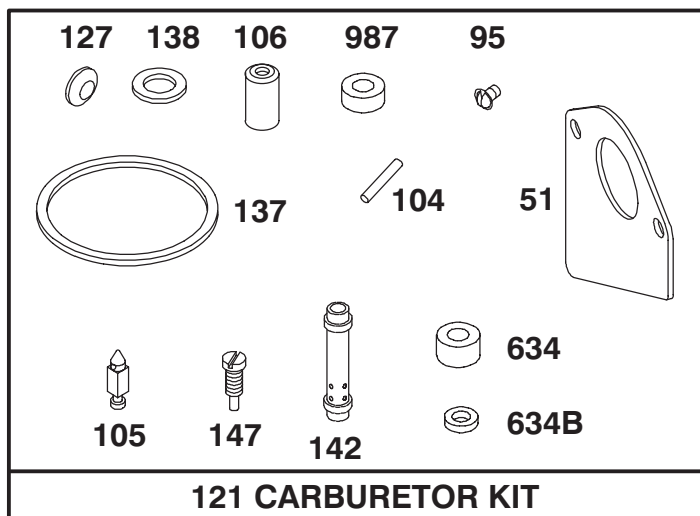


Assemblies include all parts shown in frames.

ENGINE BRIGGS & STRATTON MODEL 282707-0119-01

Ref. No.	Part No.	Description	No. Used
309	394805	Motor and Drive Assy.	1
310	94003	Bolt Hex. Hd.	1
311	395538	Brush Assy.	1
510	495878	Starter Drive Assy.	1
513	398003	Clutch Assy.	1
544	390837	Armature Assy.	1
728	94627	Screw-Hex. Hd.	1
729A	224723	Retainer-Wire	1

Ref. No.	Part No.	Description	No. Used
783	280104	Gear	1
801	394856	Drive End Cap Assy.	1
802	395537	End Cap Assy Commutator	1
803	398159	Housing Assy.	1
876	495877	Retainer And Pin	1
896	94288	Pin-Roll	1



Assemblies include all parts shown in frames.

ENGINE BRIGGS & STRATTON MODEL 282707-0119-01

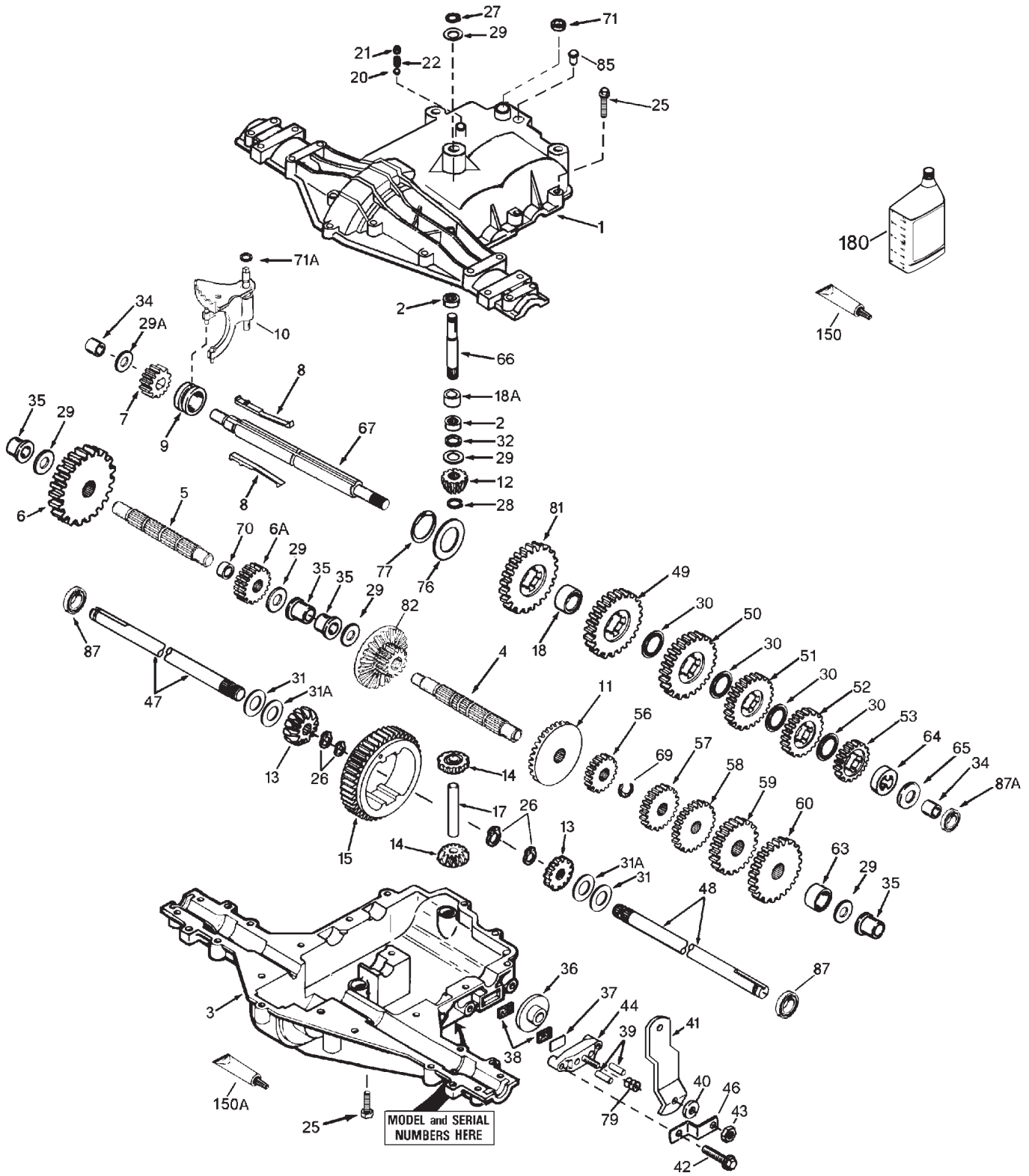
Ref. No.	Part No.	Description	No. Used
★3	391086	Seal—Oil	1
★7	271866	Gasket—Cylinder Head	1
★9	27803	Gasket—Valve Cover	1
★12	271916	Gasket—Crankcase Cover (1/64" Thick)	1
★	271997	Gasket—Crankcase Cover (.005" Thick)	1
★	271996	Gasket—Crankcase Cover (.009" Thick)	1
★20	291675	Seal—Oil	1
◆★51	272465	Gasket—Carburetor (Carb. to Elbow)	1
★52	272554	Gasket—Carburetor (Elbow to Cylinder)	1
●95	94098	Screw—Throttle	1
●104	231789	Pin—Float Hinge	1
●105	231855	Valve Assy.—Inlet Needle	1
●106	231854	Inlet Valve Seat	1

- ★ Included in Gasket Set—Part No. 494241.
- Included in Carburetor Kit—Part No. 495799.

Ref. No.	Part No.	Description	No. Used
121	495799	Carburetor Kit	1
●127		Plug—Welch (Sold in Kit Only)	1
◆●137	281165	Gasket—Float Bowl	1
◆●138	281164	Washer—Float	1
●142	494537	Bowl Screw	1
●147	231794	Nozzle—Carburetor	1
358	494241	Pilot—Jet	1
★524	68838	Gasket Set	1
★537	281106	Seal—Filler Tube	1
●634	281168	O-Ring—Air Cleaner	1
★634A	491323	Seal—Choke Shaft	1
●634B	394970	Seal—Governor	1
★842	270920	Washer—Throttle Shaft	1
977	494358	Seal—Oil Filler Cap	1
●987	281166	Carburetor Gasket Set	1
		Seal—Throttle Shaft	1

- ◆ Included in Carburetor Gasket Set—Part No. 494385.

PEERLESS TRANSAXLE MODEL MST 205-509



PEERLESS TRANSAXLE MODEL MST 205-509

Ref. No.	Part No.	Description	No. Used	Ref. No.	Part No.	Description	No. Used
1	772137	Transaxle Cover	1	39	786026	Dowel Pin	2
2	780086A	Needle Bearing	2	40	792076A	Flat Washer	1
3	770123	Transaxle Case	1	41	790080	Brake Lever	1
4	776395	Countershaft	1	42	792073	Screw	2
5	776397	Output Shaft	1	43	792075	Locknut	1
6	778331	Spur Gear (38 teeth)	1	44	790025	Brake Pad Holder	1
6A	778332	Spur Gear (15 teeth-steel)	1	46	786086	Brake Lever Bracket	1
7	778330	Spur Gear (11 teeth-steel)	1	47	774690	Axle (11-15/16" long)	1
8	792136A	Shift Key	2	48	774691	Axle (16-1/2" long)	1
9	784352	Shift Collar	1	49	778356	Spur Gear (29 teeth-steel)	1
10	784378	Shift Rod & Fork	1	50	778354	Spur Gear (23 teeth-steel)	1
11	778334	Bevel Gear (30 teeth)	1	51	778344	Spur Gear (20 teeth)	1
12	778309	Input Bevel Pinion (13 teeth)	1	52	778350	Spur Gear (16 teeth-steel)	1
13	778327	Bevel Gear (16 teeth-steel)	2	53	778346	Spur Gear (15 teeth-steel)	1
		(Incl. 14)	2	56	778355	Spur Gear (11 teeth-steel)	1
14	778327	Bevel Gear (16 teeth-steel) (Incl. 13)	2	57	778353	Spur Gear (17 teeth-steel)	1
15	778312A	Ring Gear (43 teeth)	1	58	778343	Spur Gear (20 teeth)	1
17	786139	Drive Pin	1	59	778349	Spur Gear (24 teeth-steel)	1
18	786102	Spacer	1	60	778345	Spur Gear (25 teeth)	1
18A	786175	Spacer	1	63	786071	Countershaft Spacer	1
20	792077	Ball 5/16" dia	1	64	786072	Brake Shaft Spacer	1
21	792078	Set Screw	1	65	780189	Washer	1
22	792079	Spring	1	66	776394	Input Shaft	1
25	792073	Screw	18	67	776396	Shifter & Brake Shaft	1
26	792125	Retaining Ring (pkg of 2)	4	69	792170	Retaining Ring	1
27	792035	Retaining Ring	1	70	786172	Spacer	1
28	788040	Retaining Ring	1	71	788069	Square Cut Ring	1
29	780072	Washer	6	71A	788092	"O" Ring	1
29A	780160	Washer	1	76	780090	Washer	1
30	780108	Washer	4	77	788078A	Inverted Retaining Ring	1
31	780001	Washer (.056 wide) (USE AS NEEDED)	2	79	792144	Spring	1
31A	780195	Flat Washer (.062 wide)	2	81	778338	Spur Gear (27 teeth)	1
32	788083	Oil Seal	1	82	778333	Bevel & Spur Gear (30 & 13 teeth)	1
34	780194	Bushing	2	85	792154	Pipe Plug	1
35	780193	Flanged Bushing	4	87	788088	Oil Seal	2
36	790075	Brake Disk	1	87A	788089	Oil Seal	1
37	790007	Brake Pad Plate	1	150	788093	Liquid Gasket RTV Silicone	1
38	799021	Brake Pad (pkg of 2)	2	150A	788094	Liquid Gasket Loctite #242	1
				180	730229A	Gear Oil 80W90	1

Toro Part Number Index

Part No.	Page No.	Ref. No.	Qty.	Description
104047	7	3:1	1	Bushing
104048	7	3:2	1	Assembly-Valve
106661	18	17	2	Cam-Eccentric
111419	4	12	1	Washer-Bearing
114621	3	24	1	Decal-Noise (Only On: 71201)
116397	15	22	1	Relay
701178	1	1	2	Cap-Protector
702366	15	6	1	Clip-Wire Retainer
9266714	7	38	1	Screw-HWHTF
9266714	15	9	2	Screw-HWHTF
9266714	15	13	1	Screw-HWHTF
3-6498	4	21	2	Washer-Thrust
3-6498	4	38	4	Washer-Thrust
3-6498	5	17	1	Washer-Thrust
3-6498	10	10	2	Washer-Thrust
5-4460	3	4	1	Washer-Fender
5-4460	4	17	1	Washer-Fender
5-4460	8	5	1	Washer-Fender
5-4460	8	35	1	Washer-Fender
5-4460	13	7	2	Washer-Fender
5-4460	14	25	2	Washer-Fender
7-0030	13	21	1	Shoulder Bolt
7-0030	14	11	2	Shoulder Bolt
7-0030	14	18	1	Shoulder Bolt
7-0036	10	11	2	Key-Square
7-5461	9	12	1	Spacer-Transmission
26-0671	7	12	1	Bolt-Blade
26-0671	18	12	1	Bolt-Blade
26-6700	13	16	1	Spring - Extension
26-6701	10	20	1	Spring - Extension
27-0220	7	2	2	Screw-Special HWH
27-0220	7	27	2	Screw-Special HWH
27-8890	8	1	1	Spring - Pedal Return
28-0540	2	6	2	Bolt-Shoulder
28-0540	18	14	2	Bolt-Shoulder
28-2480	4	28	2	Washer-Flat
28-2480	10	12	2	Washer-Flat
28-7350	11	3	1	Post-Pivot
28-8070	11	11:3	1	Lanyard (Only On: 71201)
28-8080	15	1	1	Boot-Battery Terminal
28-8130	11	11:1	1	Pin-Lock (Only On: 71201)
33-4750	18	9	1	Blade - 32" (Only On: 71188)
37-8770	3	1	2	Bolt-Shldr
37-8770	3	2	2	Bolt-Shldr
37-8770	8	31	1	Bolt-Shldr
38-1420	15	5	1	Switch-Seat
44-5720-03	11	9	1	Baffle - Deck (Only On: 71188)
44-8110	15	4	1	Battery Cable -Neg
46-5590	8	11	2	Spacer
46-6290	18	23	1	O-Ring (Only On: 71201)
46-8090	2	13	4	Screw-Tapping
46-8090	2	17	3	Screw-Tapping
46-8091	2	3	2	Screw-Tapping
46-8091	2	10	1	Screw-Tapping
47-2963	7	4	1	Fuel Line
47-4990	13	22	2	Post-Linkage Mount
52-2891	4	11	2	Bushing - Steering Links
55-4300	12	21	2	Decal-Warning (Only On: 71188)
55-9321	9	5	1	Cable-Clutch
56-2540	15	29	1	Tube-Vent Use w/80-2600
56-7030	18	4	1	Casting-Spindle Body
56-9830	13	27:2	1	Brake Pad
56-9870	13	20	1	Pulley-Idler 2.75" Dia

*Not Illustrated

Toro Part Number Index (cont.)

Part No.	Page No.	Ref. No.	Qty.	Description
61-9780	4	26	2	Hubcap
61-9780	10	14	2	Hubcap
63-8360	15	25	1	Key-Ignition
65-2920	8	20	1	Pad-Pedal
65-7210	14	23	1	Spacer
66-0120	7	1:	1	Knob
66-1340	12	23	1	Decal-Discharge (Only On: 71188)
67-0710	13	31	1	Ball - Swivel
68-3650	12	20	1	Decal-Danger (Only On: 71188)
76-1340	1	32	1	Decal-USA (Only On: 71188)
76-3820	17	4	2	Anchor - Belt Guide
80-2240	15	31	1	Plate-Name Grille
80-2600	15	3	1	Battery - 7 Plate
80-2630-03	12	27	4	Kicker (Only On: 71201)
80-4350	18	8	1	Shaft - Spindle
80-4370	18	7	1	Shield-Bearing
80-4390	18	6	1	Spacer-Hardened
80-4430	18	9	1	Blade-Recycler (Only On: 71201)
80-4490-03	11	6	4	Ring-Deck (Only On: 71201)
80-4570-03	18	10	1	Stiffener-Blade
80-6990	14	8	4	Washer-Hardened
82-6150	11	11	1	ASM-Cover (Only On: 71201)
83-7010-03	11	11:6	1	Brace - Cover (Only On: 71201)
83-7020	18	5	1	Spacer-Bearing
84-5610	8	8	1	Guide-Cable
84-5610	9	25	1	Guide-Cable
88-0890	4	37	1	Grip - Parking Brake
88-3820	17	10	1	Engine - 12 Hp B&s I/C (Only On: 71201)
88-3840	1	28	1	Body - Rear
88-3850	5	1	1	Steering Wheel
88-3870	5	1:2	1	Cover-Steering Wheel
88-3880	7	3	1	Gas Tank Assembly
88-3930-03	2	16	1	Shield - Heat
88-3940-03	1	5	1	Panel - Rear
88-3950	3	25	1	Seat (Only On: 71201)
88-3960	15	12	1	Lense - Headlights
88-3980	7	31	1	Gas Cap ASM
88-4040	15	30	1	Battery Box
88-4050	2	12	1	Duct - Hood Air
88-4060	4	29:2	2	Tire 13x5.00-6
88-4080	10	9:2	2	Tire 16x6.50-8
88-4140	2	23	2	Nut - Wedge
88-4150	6	1	1	Plug
88-4160	2	24	2	Clamp - Pivot Rod
88-4170	2	20	1	Rod - Pivot
88-4190	5	4	1	Bushing - Sliding
88-4230	14	13	2	Trunnion - HOC
88-4270	4	29	2	Front Wheel & Tire ASM
88-4290	10	9	2	Rear Wheel & Tire ASM
88-4330	3	25	1	Seat-V 320 (Only On: 71188)
88-4340	7	1	1	Throttle Control ASM
88-4350	7	30	1	Cable ASM-Throttle
88-4360	4	29:1	2	Rim ASM-13" Front
88-4380	10	9:1	2	Rim ASM-16" Rear
88-4400	4	29:4	4	Bearing-Wheel
88-4410	7	20	1	Gasket - Muffler
88-4490	7	48	1	Reducer - Throttle Rpm (Only On: 71201)
88-4540	12	19	1	Hinge - Deflector
88-4560	11	14:2	1	Deflector-Double Pivot (Only On: 71188)
88-4590	13	28	1	Bolt-Shoulder
88-4620-03	1	11	1	Bracket - Idler Pivot
88-4630-03	1	24	1	Plate - Engine Mounting
88-4670	4	9	1	Bushing - Eccentric

*Not Illustrated

Toro Part Number Index (cont.)

Part No.	Page No.	Ref. No.	Qty.	Description
88-4730	14	16	2	Clamp – HOC Pivot
88-4800-03	8	17	1	Bellcrank
88-4810	8	13	1	Clamp – Shift Pivot
88-4810	9	4	2	Clamp – Shift Pivot
88-4820-03	3	11	2	Bracket – Seat Hinge
88-4830	4	34	1	Link – Drag
88-4840	10	4	1	Pulley – Transmission
88-4880	15	17	1	Spacer – Microswitch
88-4910-03	3	3	1	Support – Seat
88-4940-03	18	13	1	Pan – Frt Deck Susp (32)
88-4960-03	1	17	1	Shield – Exh. Pipe
88-5000-03	8	21	1	Pedal – Clutch/Brake
88-5010	4	7	1	Spacer – Steering Rack
88-5020-03	3	19	1	Plate – Shift Gate
88-5030-03	3	9	1	Gate – HOC
88-5050	7	11	1	Pulley – Engine (32")
88-5060	13	2	1	Pulley – Deck
88-5110-03	14	22	1	Pivot W.a. (H.o.c.)
88-5120-03	1	21	1	Support – Front Axle
88-5130-03	4	5	1	Bracket – Steering Rack
88-5150	5	16	1	Bushing – Flange
88-5160	3	21	1	Cover – Shift Gate (Only On: 71188)
88-5170	3	7	1	Cover – HOC (Only On: 71188)
88-5190-03	2	25	1	Lever W.a. – Deck Engage
88-5200	4	10	1	Steering Rack W.a.
88-5220	3	17	1	Foot Mat
88-5240	3	16	1	Foot Mat
88-5270	8	29	1	Rod – Clutch/Brake
88-5340	9	13	1	Lever – Shift (Transaxle
88-5370-03	13	13	1	Plate – Idler Mount
88-5380	4	32	1	Tie Rod – Steering
88-5450	14	12	2	Rod – Hanger
88-5470	4	23	2	Spacer – Front Axle
88-5490	17	5	1	Belt Guide – R.h.
88-5500	8	15	1	Rod – Pedal Pivot
88-5510	4	35	1	Rod–Parking Brake
88-5520-03	4	36	1	Bracket–Parking Brake
88-5560	8	32	1	Belt Guide – Idler
88-5570-03	14	6	2	Link–Adjusting HOC
88-5640-03	18	19	1	Bracket Wa–RH
88-5650-03	18	20	1	Bracket Wa–LH
88-5680	8	33	1	Idler Pulley
88-5690	13	25	1	Rod – Deck Brake
88-5760	13	3	2	Belt Guide – Deck
88-5790-01	11	4	1	32" Cutter Deck Wa (Only On: 70201)
88-5850-03	13	18	1	Idler Arm W.a.
88-5900	14	3	1	Link – HOC
88-5930	9	16	1	Keeper – Cable
88-5980	13	24	1	Rod – Deck Engage
88-6040-03	2	18	1	Bracket – Hinge
88-6050-03	2	7	1	Bracket – Hinge
88-6060	17	3	1	Belt Guide – L.h.
88-6070	8	30	1	Arm –Idler
88-6110	13	27	1	ASM. – Deck Brake
88-6150	12	15	1	Rod – Hinge
88-6160	12	16	1	Spring – Torsion
88-6220	1	4	2	Spring – Compression
88-6260	13	29	1	V–Belt
88-6290-03	1	18	1	Shield – Muffler
88-6330	8	7	1	Spring – Extension
88-6330	13	5	1	Spring – Extension
88-6380	6	2	1	Shaft W.a. – Steering
88-6420	13	30	1	Spring/Cable ASM

*Not Illustrated

Toro Part Number Index (cont.)

Part No.	Page No.	Ref. No.	Qty.	Description
88-6460	14	17	1	Spring – Extension
88-6480	17	6	1	Muffler W.a.
88-9830	15	24	1	Switch-Ignition
88-9932	15	19	2	Switch – Micro
92-2461	2	31	1	Decal – Throttle (Only On: 71188)
92-2462	2	32	1	Decal – Deck Engage (Only On: 71188)
92-2467	2	34	1	Decal – Hood Right
92-2468	2	33	1	Decal – Hood Left
92-2478	2	30	1	Decal – Ignition (Only On: 71188)
92-2480	2	29	2	Decal – Tower
92-2482	17	9	1	Decal – Engine (Only On: 71201)
92-2489	1	35	1	Decal-Rear Body
92-2493	11	1	1	Spring – Torsion
92-2494-03	12	24	1	Ramp – Deflector
92-5730	2	31	1	Decal – Throttle (Only On: 71201)
92-5732	2	30	1	Decal – Ignition (Only On: 71201)
92-5748	2	14:1	1	Decal – Air Duct
92-5782	2	15	1	Patch – Heat Tape
92-7889-03	4	30	1	Spindle Wa-RH
92-7890-03	4	18	1	Spindle Wa-LH
92-7988	12	29	1	Decal-Recycler (Only On: 71201)
92-8650	2	14	1	Hood-Toro
92-8755	17	10	1	Engine – 12hp B&s STD (Only On: 71188)
92-8916	11	13	1	Bolt-Shoulder
92-9674	3	5	1	Knob-Studded
92-9845	15	8	1	Solenoid
93-0231	12	14:4	4	Screw-Plastite (Only On: 71201)
93-0303	2	1	1	Tower-Steering Toro
93-0318	11	14	1	ASM-Deflector (Only On: 71188)
93-0539	15	15	4	Screw-PPH
93-1122	11	14:1	1	Decal-Danger (Only On: 71188)
93-1122	12	22	1	Decal-Danger (Only On: 71188)
93-3240	15	20	1	Seal-Plunger
93-3809	7	37	1	Bracket-Ground
93-3810	15	23	1	Wire Harness
93-3822-03	14	1	1	Lever-HOC
93-6673	2	32	1	Decal – Deck Engage (Only On: 71201)
93-6674	12	21	2	Decal-Warninig (Only On: 71201)
93-6675	1	33	1	Decal-Instruct (Only On: 71201)
93-7009	12	20	1	Decal-Deflector Danger (Only On: 71201)
93-7010	11	14:1	1	Decal-Danger (Only On: 71201)
93-7010	12	22	2	Decal-Danger (Only On: 71201)
93-7656	3	21	1	Cover – Shift Gate (Only On: 71201)
93-7657	3	7	1	Cover – HOC (Only On: 71201)
93-7694	11	14	1	32" Deflector (Only On: 71201)
93-7696	12	14:3	2	Kicker – Ce (Only On: 71201)
93-8494	12	14:2	1	Deflector –, 32" Int'l (Only On: 71201)
94-1237	1	33	1	Decal-Instruction (Only On: 71188)
94-1951	7	39	1	Latch-Hood
94-1952	7	28	1	Rod-Gas Tank
94-1962-03	4	31	1	Front Axle Wa
94-1967-03	1	10	2	Bracket-Trxl Mtg
94-1968	9	20	1	Lever-Shift Pivot
94-1969	10	19	2	Strap-Torque
94-1980	2	39	2	Foam-Hood
94-1984	2	11	1	Pin-Latch
94-1991-03	9	1	1	Shift Lever Wa
94-1993-03	9	8	1	Shift Pivot Wa
94-1997	9	26	1	Bushing-Shift Lever
94-1998-03	1	25	1	Frame Rail-RH
94-1999-03	1	13	1	Frame Rail-LH
94-4291	10	5	1	V-Belt
94-4295	8	2	1	Spring-Brake

*Not Illustrated

Toro Part Number Index (cont.)

Part No.	Page No.	Ref. No.	Qty.	Description
94-4926	8	36	1	Bracket-Belt Guide
94-5362	15	33	1	Boot-Terminal Insulator
94-5432	9	9	1	Link-Shift
94-5433	8	6	1	Bracket-Belt Guide
94-5565	2	2	1	Knob - Control
94-5565	9	24	1	Knob - Control
94-5565	14	24	1	Knob - Control
94-6022	10	7	1	Transaxle - Peerless 931
95-2747	18	22	1	Fitting-Washout (Only On: 71201)
95-7483	11	4	1	Deck Assembly (Only On: 71201)
218-461	15	24:2	1	Nut-HH (F/W Sw)
231-91	10	9:4	2	Tube-Inner 16x6.50-8
232-27	4	29:3	2	Valve Stem & Cap Assembly
232-27	10	9:3	2	Valve Stem & Cap Assembly
232-40	4	29:6	2	Tube-Inner 13x5-6
2412-98	7	5	2	Clamp-Hose
251-297	18	3	2	Bearing-20mm
302-5	4	29:5	2	Fitting-Grease
302-26	4	8	1	Fitting-Grease
321-2	2	5	4	Screw-HH
321-4	5	7	2	Screw-HH
321-4	15	2	2	Screw-HH
321-4	17	7	1	Screw-HH
322-3	1	7	4	Screw-HH
322-3	1	9	4	Screw-HH
322-3	1	20	6	Screw-HH
322-3	1	23	2	Screw-HH
322-3	1	26	4	Screw-HH
322-3	1	27	2	Screw-HH
322-3	2	28	2	Screw-HH
322-3	3	10	4	Screw-HH
322-3	8	3	1	Screw-HH
322-3	8	14	1	Screw-HH
322-3	8	37	1	Screw-HH
322-3	9	6	2	Screw-HH
322-3	9	21	1	Screw-HH
322-3	10	21	2	Screw-HH
322-3	13	15	2	Screw-HH
322-3	14	19	4	Screw-HH
322-3	18	1	8	Screw-HH
322-3	11	2	2	Screw-HH (Only On: 71188)
322-3	12	28	7	Screw-HH (Only On: 71201)
322-5	1	2	2	Screw-HH
322-5	13	6	2	Screw-HH
322-6	8	4	1	Screw-HH
322-6	18	16	2	Screw-HH
322-6	11	2	1	Screw-HH (Only On: 71201)
322-9	14	2	1	Screw-HH
322-9	17	2	4	Screw-HH
322-12	8	12	2	Screw HH
322-12	10	15	4	Screw HH
322-12	18	21	2	Screw HH
323-10	9	2	1	Screw-HH
323-11	8	34	1	Screw
323-13	4	2	2	Screw-HH
329-23	9	10	1	Screw
3219-7	13	1	1	Nut-Hex
3229-1	18	24	2	Bolt-Carriage (Only On: 71201)
3230-1	4	6	4	Screw-CARR
3230-3	4	4	1	Screw-CARR
3230-3	8	22	1	Screw-CARR
3230-3	9	17	1	Screw-CARR
3231-4	4	3	1	Bolt-CARR

*Not Illustrated

Toro Part Number Index (cont.)

Part No.	Page No.	Ref. No.	Qty.	Description
3234-13	13	17	2	Screw-HHF
3253-3	9	11	1	Washer-Lock
3253-3	17	8	1	Washer-Lock
3253-4	7	21	2	Washer-Lock
3253-22	7	13	1	Washer-Lock
3254-5	15	24:1	1	Washer-Lock(F/W Switch)
3255-7	15	14	1	Washer-Lock
3255-8	7	23	1	Washer-Lock
3256-1	18	25	2	Washer-Flat (Only On: 71201)
3256-22	5	6	2	Washer-Flat
3256-23	1	3	2	Washer-Flat
3256-23	1	22	2	Washer-Flat
3256-23	1	37	2	Washer-Flat
3256-23	2	27	2	Washer-Flat
3256-23	8	9	2	Washer-Flat
3256-23	8	23	1	Washer-Flat
3256-23	9	14	1	Washer-Flat
3256-23	9	22	1	Washer-Flat
3256-23	10	16	4	Washer-Flat
3256-23	10	18	4	Washer-Flat
3256-23	13	26	1	Washer-Flat
3256-23	18	18	2	Washer-Flat
3256-23	12	25	2	Washer-Flat (Only On: 71188)
3256-24	2	21	2	Washer-Flat
3256-24	4	20	2	Washer-Flat
3256-24	4	24	2	Washer-Flat
3256-24	13	11	1	Washer-Flat
3256-24	13	23	2	Washer-Flat
3256-24	14	5	2	Washer-Flat
3256-24	14	10	2	Washer-Flat
3256-25	4	13	4	Washer-Flat
3256-25	7	14	1	Washer-Flat
3256-25	9	19	1	Washer-Flat
3256-26	8	18	1	Washer-Flat
3256-49	11	11:5	1	Washer-Flat (Only On: 71201)
3256-58	12	17	1	Washer-Flat
3257-23	10	3	1	Key-Woodruff
3272-10	4	14	2	Pin-Cotter
3272-10	4	19	2	Pin-Cotter
3272-10	8	24	1	Pin-Cotter
3272-12	4	27	2	Pin-Cotter
3274-10	7	22	2	Screw-Sckt Hd
3290-282	3	8	2	Pop Rivet
3290-282	3	20	2	Pop Rivet
3290-282	13	27:3	2	Pop Rivet
3290-282	11	11:4	2	Pop Rivet (Only On: 71201)
3290-299	15	32	1	Nut - Tinnerman
3290-307	2	19	2	Pin-Cotter
3290-307	13	10	1	Pin-Cotter
3290-307	14	4	1	Pin-Cotter
3290-307	14	7	4	Pin-Cotter
3290-307	14	9	2	Pin-Cotter
3290-354	15	16	2	Nut-Speed
3290-465	18	11	1	Washer-Spring
3290-479	3	6	4	Fastener-Panel
3290-479	3	15	12	Fastener-Panel
3290-479	3	22	4	Fastener-Panel
3290-496	2	8	2	Nut - Retained
3290-496	13	8	2	Nut - Retained
3296-3	9	7	2	Nut-Lock
3296-16	18	26	2	Nut-Lock (Only On: 71201)
3296-29	1	6	2	Nut-Lock
3296-29	1	8	4	Nut-Lock

*Not Illustrated

Toro Part Number Index (cont.)

Part No.	Page No.	Ref. No.	Qty.	Description
3296-29	1	12	4	Nut-Lock
3296-29	1	14	2	Nut-Lock
3296-29	1	15	6	Nut-Lock
3296-29	1	16	2	Nut-Lock
3296-29	1	29	4	Nut-Lock
3296-29	2	26	2	Nut-Lock
3296-29	3	12	6	Nut-Lock
3296-29	4	1	4	Nut-Lock
3296-29	4	16	1	Nut-Lock
3296-29	8	10	2	Nut-Lock
3296-29	8	19	1	Nut-Lock
3296-29	8	26	3	Nut-Lock
3296-29	8	27	1	Nut-Lock
3296-29	8	38	1	Nut-Lock
3296-29	9	3	2	Nut-Lock
3296-29	9	15	1	Nut-Lock
3296-29	9	23	1	Nut-Lock
3296-29	10	1	4	Nut-Lock
3296-29	10	17	2	Nut-Lock
3296-29	13	9	1	Nut-Lock
3296-29	13	12	1	Nut-Lock
3296-29	13	14	2	Nut-Lock
3296-29	14	14	4	Nut-Lock
3296-29	14	15	2	Nut-Lock
3296-29	14	20	1	Nut-Lock
3296-29	14	21	1	Nut-Lock
3296-29	17	1	3	Nut-Lock
3296-29	18	2	8	Nut-Lock
3296-29	18	15	6	Nut-Lock
3296-29	11	8	2	Nut-Lock (Only On: 71188)
3296-29	11	5	8	Nut-Lock (Only On: 71201)
3296-29	11	8	8	Nut-Lock (Only On: 71201)
3296-39	4	15	1	Nut-Lock
3296-39	4	25	2	Nut-Lock
3296-39	9	18	1	Nut-Lock
3296-39	13	19	1	Nut-Lock
3296-42	2	4	4	Nut-Lock
3296-42	5	9	2	Nut-Lock
3296-42	12	18	1	Nut-Lock
3296-42	13	4	1	Nut-Lock
3296-59	8	28	2	Nut-Lock
3296-59	11	10	1	Nut-Lock
32103-2	11	12	1	Nut-Wing (Only On: 71201)
32103-22	15	28	2	Nut-Wing
32104-76	1	19	1	Screw-Self TAP
32120-64	10	2	1	Ring-Retaining
32121-111	5	2	1	Pin-Spiral
32122-14	11	7	8	Screw-Truss Hd (Only On: 71201)
32128-43	2	22	2	Nut-Whiz Flg
32144-14	10	22	2	Screw-HWH
32144-112	7	40	2	Screw-Thd Form
32149-1	7	26	2	Nut-Keps
32149-2	15	7	3	Nut-Hex Lock
32151-48	4	33	2	Ring-Retaining
32151-48	5	18	1	Ring-Retaining
32151-48	10	13	2	Ring-Retaining

*Not Illustrated

