



# 1644 HXL LAWN TRACTOR

Model No. 71196 – 7900001 & Up  
Model No. 71218 – 7900001 & Up

---

## Parts Catalog

## ORDERING REPLACEMENT PARTS

To order replacement parts, please supply: the part number, the quantity, and the description of each part desired.

## Contents

Description	Page	Description	Page
Frame Assembly .....	1	Electrical Assembly .....	12
Hood Assembly .....	2	Electrical Schematic .....	13
Seat Assembly .....	3	Hydro Transaxle Assembly .....	14
Front Axle Assembly .....	4	Hydro Transaxle Assembly (Continued) .....	15
Steering Assembly .....	5	Hydro Transaxle Assembly (Continued) .....	16
Engine Assembly .....	6	Battery Assembly .....	17
Clutch Assembly .....	7	Engine Briggs & Stratton	
Rear Axle Assembly .....	8	Model 28Q777-0668-A1 .....	18
Transaxle Assembly .....	9		
Speed Control Assembly .....	10		
Height Of Cut Assembly .....	11		

**Note:**

## Accessories

Description	Model / Parts No.	Description	Model / Parts No.
Twin Bag Vac. Bagger Kit .....	Model No. 79102	Snow Blade Adapter Kit .....	Part No. 93-3806
Recycler Kit .....	Model No. 79174	Wheel Weight Kit .....	Model No. 59159
Hi-Sail Baggin Blade .....	Part No. 57-4940	44" Side Discharge Deck	
Tire Chains .....	Model No. 82522	(Model No. 71218 Only) .....	Model No. 79107
Headlight Kit (Standard) .....	Model No. 79180	44" Recycler Deck	
42" Snowblade Kit .....	Model No. 79150	(Model No. 71196 Only) .....	Model No. 79108

## Part Description Abbreviations

Part descriptions in this catalog may include the following abbreviations.

Abbreviation	Meaning	Abbreviation	Meaning
AR .....	as required	HSH .....	hex socket head
ASM .....	assembly	HWH .....	hex washer head
CARR .....	carriage	HWHTF .....	hex washer head thread forming
DEG .....	degrees	INC .....	incorporated
FH .....	flat head	LH .....	left hand
GA .....	gauge	PH .....	pan head
HF .....	hex flange	PPH .....	Phillips pan head
HFW .....	hex flange washer	PTO .....	power take off
HH .....	hex head	RH .....	right hand
HHF .....	hex head flange	SFH .....	slotted fillister head
HHST .....	hex head self tapping	SH .....	square head
HJ .....	hex jam	SHWH .....	slotted hex washer head
HOC .....	height-of-cut	SPH .....	slotted pan head
HS .....	hex socket	STD .....	standard
HSBH .....	hex socket button head	TAP .....	self tapping
HSFH .....	hex socket flat head		

TH ..... truss head  
TTH ..... Torx truss head

WH ..... wing head

## Important Format Explanations

This catalog uses special formats to convey information in illustrations and parts lists. Specifically, one format is used in conjunction with service assemblies and another with quantities associated with reference numbers.

### Service Assemblies

Parts within service assemblies have reference numbers in the form  $X:Y$ .  $X$  is the reference number of the service assembly and  $Y$  is a sequential number unique to each part within the service assembly.

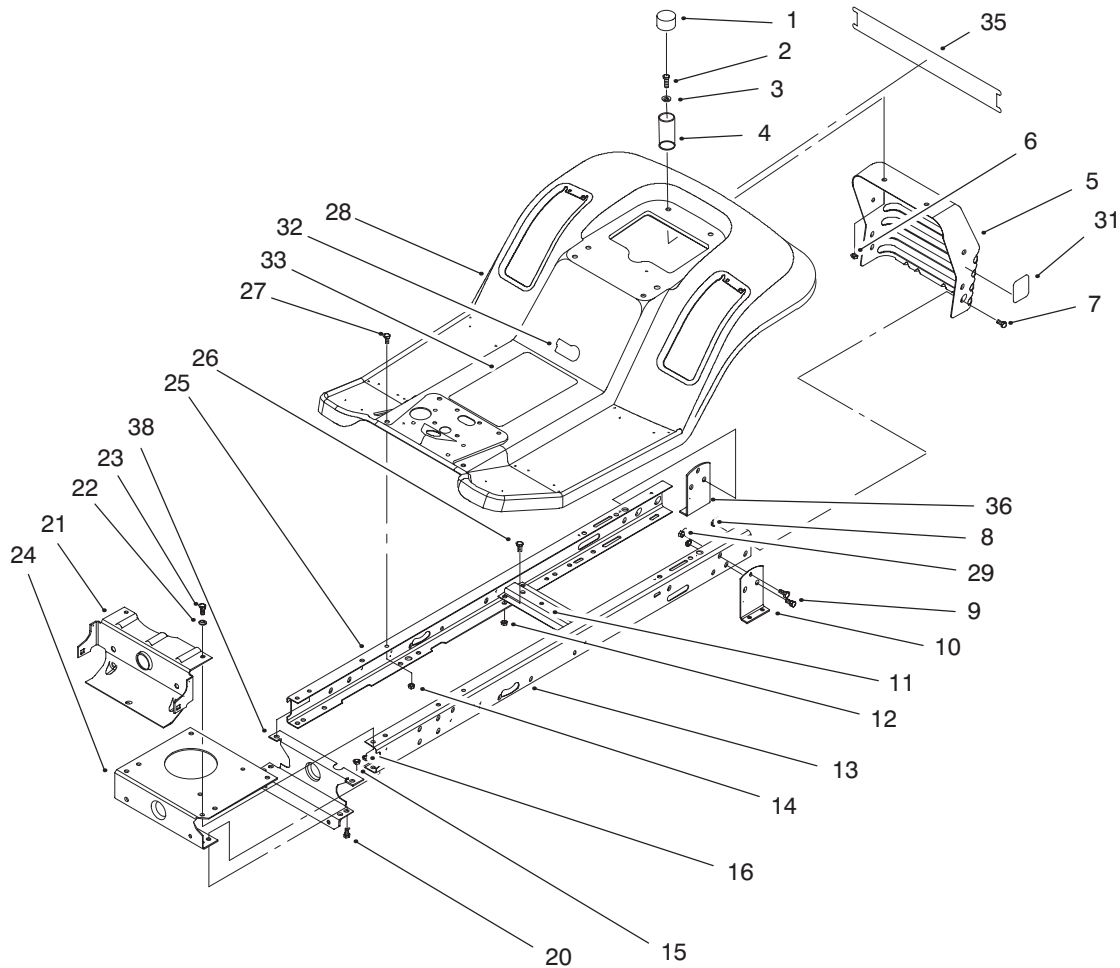
For example, a wheel assembly might be identified by reference number 6, the tire by 6:1, the valve by 6:2, and the wheel by 6:3. When you order the assembly identified by reference number 6, you receive all parts identified by reference numbers 6:1, 6:2, and 6:3. However, you may also order any part individually.

Reference numbers of this type appear in part lists and as callouts in illustrations.

### Reference Numbers with Quantities

Illustrations may have a quantity in parentheses next to a reference number, in the form  $X (Y)$ .  $X$  is the reference number.  $Y$  in parentheses is the quantity of the part identified by the reference number.

For example, the illustration callout 4 (2) indicates that two parts are used in that instance.

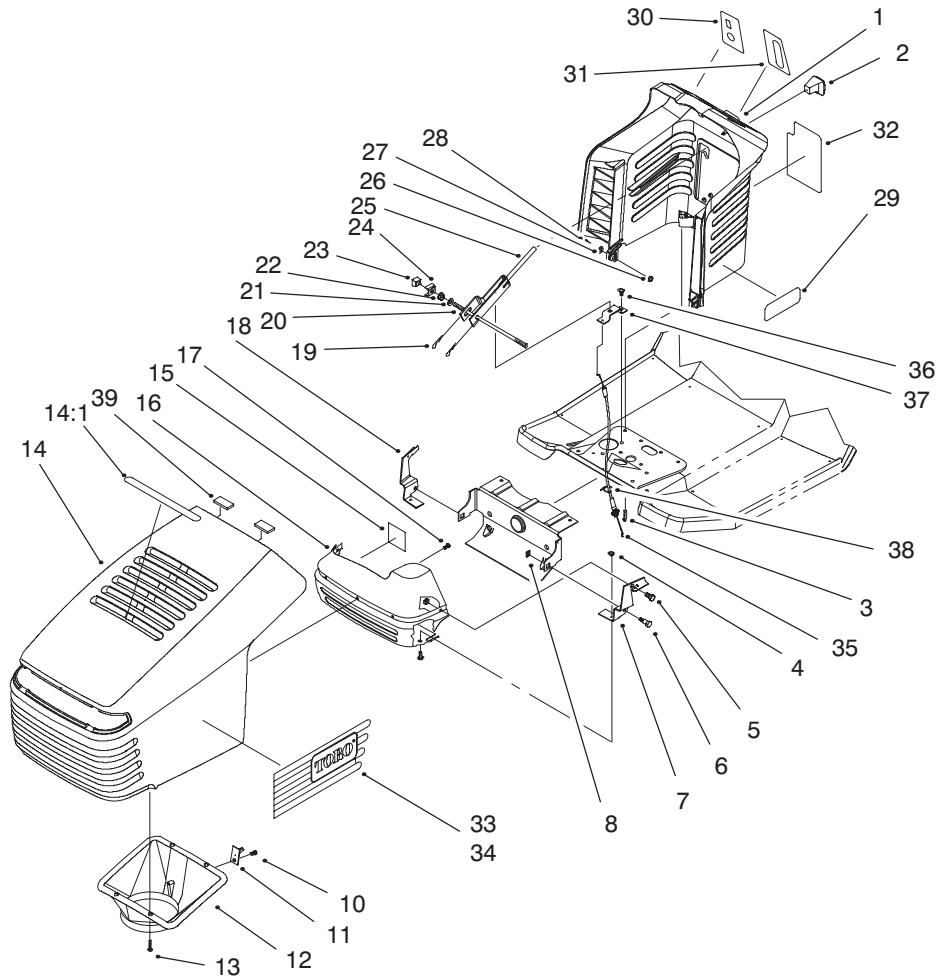


Sheet No.:2

## Frame Assembly

Ref. No.	Part No.	Qty.	Description
1	701178	2	Cap-Protector
2	322-5	2	Screw-HH
3	3256-23	2	Washer-Flat
4	88-6220	2	Spring - Compression
5	88-3940-03	1	Panel - Rear
6	3296-29	2	Nut-Lock
7	322-3	4	Screw-HH
8	3296-29	4	Nut-Lock
9	322-3	4	Screw-HH
10	93-3857-03	1	Bracket-Trans Mtg LH
11	88-4620-03	1	Bracket - Idler Pivot
12	3296-29	4	Nut-Lock
13	94-1999-03	1	Frame Rail-LH
14	3296-29	2	Nut-Lock
15	3296-29	6	Nut-Lock
16	3296-29	2	Nut-Lock
20	322-3	6	Screw-HH
21	93-3834-03	1	Support - Front Axle
22	3256-23	2	Washer-Flat
23	322-3	2	Screw-HH
24	88-4630-03	1	Plate - Engine Mounting
25	94-1998-03	1	Frame Rail-RH
26	322-3	4	Screw-HH
27	322-3	2	Screw-HH
28	88-3840	1	Body - Rear

Ref. No.	Part No.	Qty.	Description
29	3296-29	4	Nut-Lock
31	93-6678	1	Decal - Dump Valve
32	76-1340	1	Decal-USA (Only On: 71196)
33	93-6676	1	Decal-Instruction (Only On: 71218)
33	94-1238	1	Decal-Instruction (Only On: 71196)
35	94-3530	1	Decal-Rear Body
36	93-3856-03	1	Bracket-Trans Mtg RH
38	93-3831-03	1	Support - Rear

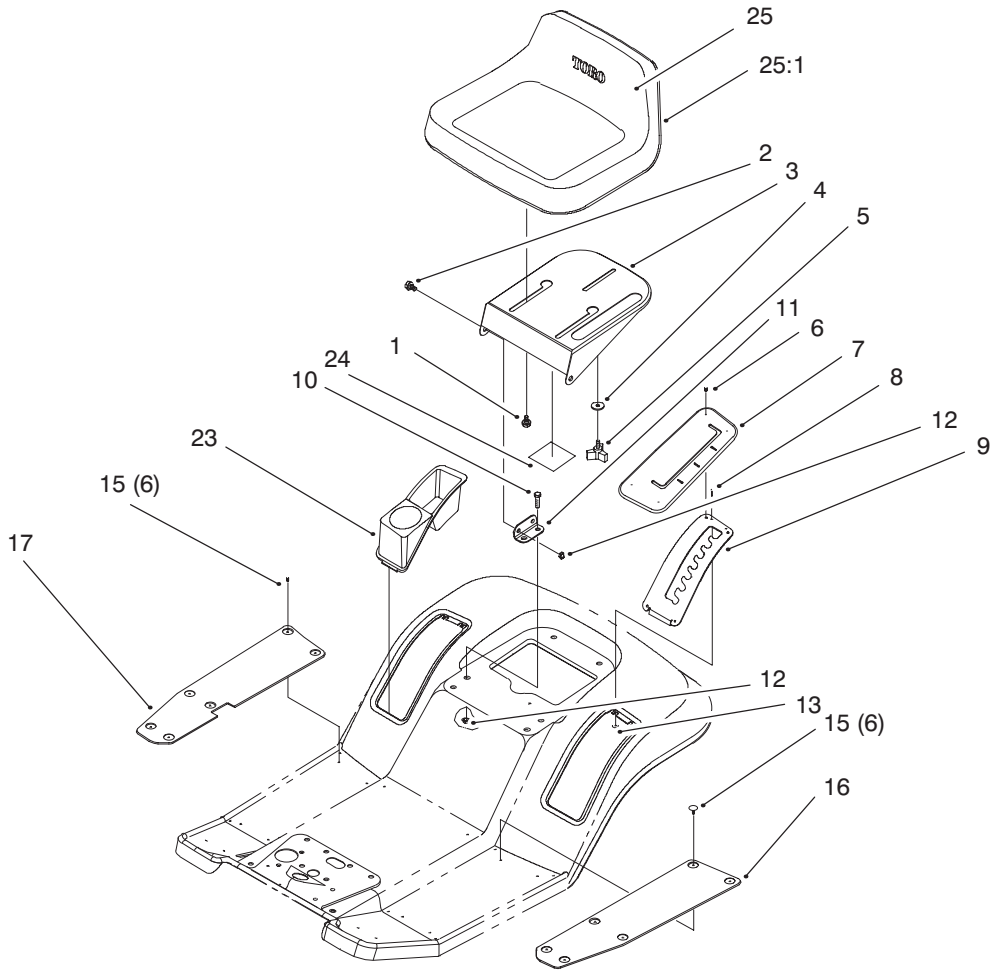


Sheet No.:3

# Hood Assembly

Ref. No.	Part No.	Qty.	Description
1	93-0303	1	Tower-Steering Toro
2	94-5565	1	Knob - Control
3	46-8091	2	Screw-Tapping
4	3296-42	4	Nut-Lock
5	321-2	4	Screw-HH
6	28-0540	2	Bolt-Shoulder
7	88-6050-03	1	Bracket - Hinge
8	3290-496	2	Nut - Retained
10	46-8091	1	Screw-Tapping
11	94-1984	1	Pin-Latch
12	93-3891	1	Duct - Hood Air
13	46-8090	4	Screw-Tapping
14	92-8650	1	Hood-Toro
14:1	92-5748	1	Decal - Air Duct
15	92-5782	1	Patch - Heat Tape
16	93-3864	1	Shield - Heat
17	46-8090	3	Screw-Tapping
18	88-6040-03	1	Bracket - Hinge
19	3290-307	1	Pin-Cotter
20	88-4170	1	Rod - Pivot
21	3256-24	2	Washer-Flat
22	32128-43	2	Nut-Flange
23	88-4140	2	Nut - Wedge
24	88-4160	2	Clamp - Pivot Rod
25	88-5190-03	1	Lever W.a. - Deck Engage

Ref. No.	Part No.	Qty.	Description
26	3296-29	2	Nut-Lock
27	3256-23	2	Washer-Flat
28	322-3	2	Screw-HH
29	94-3528	2	Decal-Tower
30	92-2460	1	Decal - Ignition/Lights (Only On: 71196)
30	92-5731	1	Decal-Ign/Lights (Only On: 71218)
31	92-2461	1	Decal - Throttle (Only On: 71196)
31	92-5730	1	Decal - Throttle (Only On: 71218)
32	92-2462	1	Decal - Deck Engage (Only On: 71196)
32	93-6673	1	Decal - Deck Engage (Only On: 71218)
33	92-2468	1	Decal - Hood Left
34	92-2467	1	Decal - Hood Right
35	94-4292	1	Cable - Deck Engage
36	9266714	2	Screw-HWHTF
37	93-3849	1	Brkt-Cable
39	94-1980	2	Foam-Hood

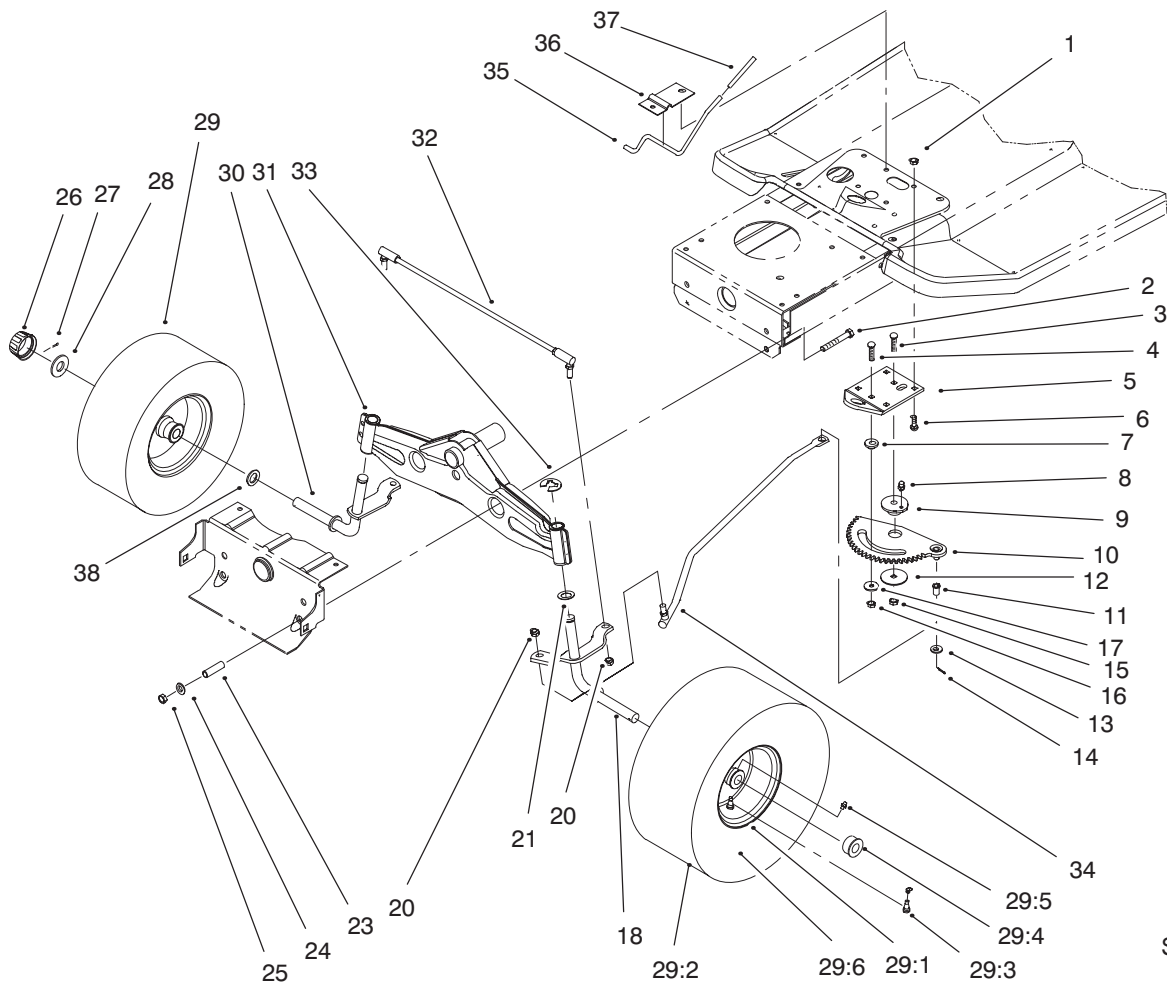


Sheet No.:4

## Seat Assembly

Ref. No.	Part No.	Qty.	Description
1	37-8770	2	Bolt-Shldr
2	37-8770	2	Bolt-Shldr
3	88-4910-03	1	Support – Seat
4	5-4460	1	Washer-Fender
5	92-9674	1	Knob-Studded
6	3290-479	4	Fastener-Panel
7	88-5170	1	Cover – HOC (Only On: 71196)
7	93-7657	1	Cover – HOC (Only On: 71218)
8	3290-282	2	Pop Rivet
9	88-5030-03	1	Gate – HOC
10	322-3	4	Screw-HH
11	88-4820-03	2	Bracket – Seat Hinge
12	3296-29	6	Nut-Lock
13	3269-26	2	Washer
15	3290-479	12	Fastener-Panel
16	88-5240	1	Foot Mat
17	88-5230	1	Foot Mat – RH
23	88-4990	1	Tray – Fender
24	114621	1	Decal-Noise (Only On: 71218)
25	92-6511	1	Seat
25:1	94-4909	1	Trim – Seat

Ref. No.	Part No.	Qty.	Description

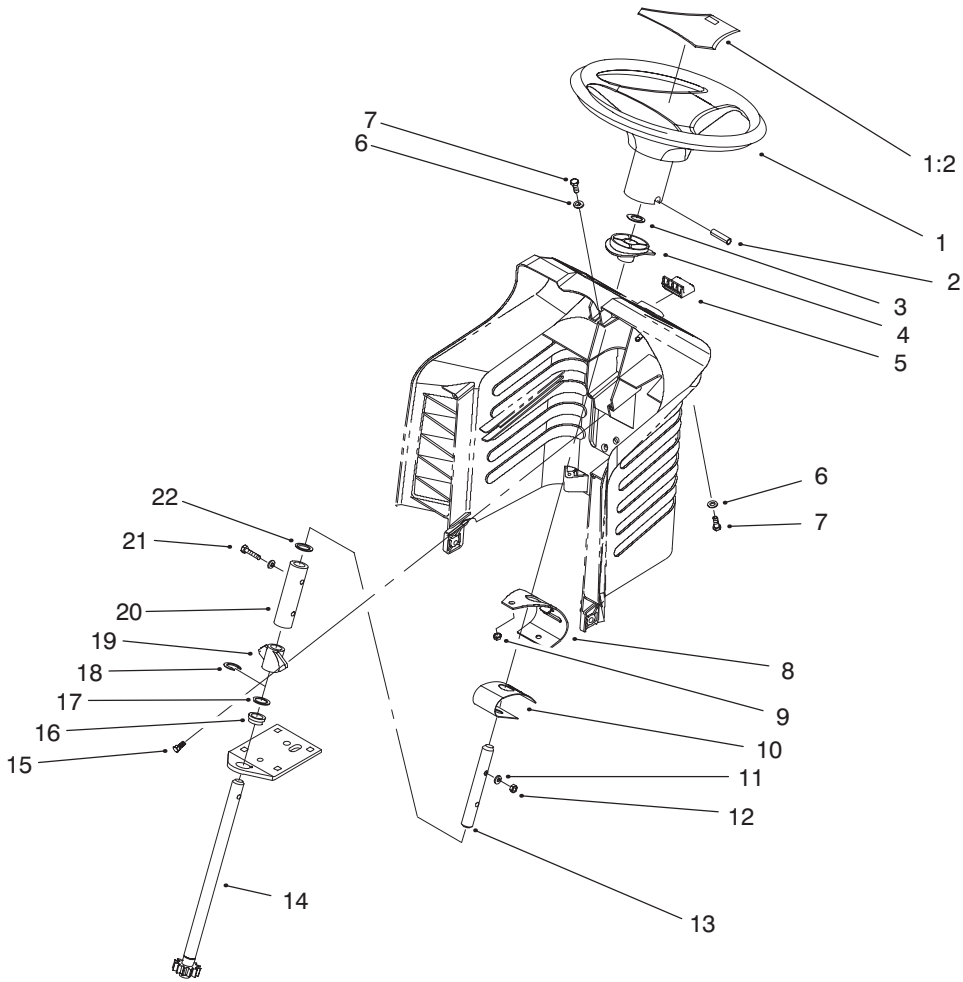


Sheet No.:5

## Front Axle Assembly

Ref. No.	Part No.	Qty.	Description
1	3296-29	4	Nut-Lock
2	323-13	2	Screw-HH
3	3231-4	1	Bolt-CARR
4	3230-3	1	Screw-CARR
5	88-5130-03	1	Bracket - Steering Rack
6	3230-1	4	Bolt-CARR
7	88-5010	1	Spacer - Steering Rack
8	302-26	1	Fitting-Grease
9	88-4670	1	Bushing - Eccentric
10	88-5200	1	Steering Rack W.a.
11	52-2891	1	Bushing - Steering Links
12	111419	1	Washer-Bearing
13	3256-25	1	Washer-Flt
14	3272-10	1	Pin-Cotter
15	3296-39	1	Nut-Lock
16	3296-29	1	Nut-Lock
17	5-4460	1	Washer-Fender
18	93-3833-03	1	Spindle Wa-LH
20	3296-5	3	Nut-Lock
21	3-6498	2	Washer-Thrust
23	88-5470	2	Spacer - Front Axle
24	3256-24	2	Washer-Flat
25	3296-39	2	Nut-Lock

Ref. No.	Part No.	Qty.	Description
26	61-9780	2	Hubcap
27	3272-12	2	Pin-Cotter
28	28-2480	2	Washer-Flat
29	88-4280	2	Front Wheel & Tire ASM
29:1	88-4370	2	Rim ASM-15" Front
29:2	88-4070	2	Tire 15x6.00-6
29:3	232-27	2	Valve Stem & Cap Assembly
29:4	88-4400	2	Bearing - Wheel
29:5	302-5	2	Fitting - Grease
29:6	232-39	2	Tube - Inner 15x6-6
30	92-7889-03	1	Spindle Wa-RH
31	94-1990-03	1	Front Axle Wa
32	93-3873	1	Tie Rod Assy
33	32151-48	2	Ring-Retaining
34	93-3840	1	Link - Drag
35	88-5510	1	Rod-Parking Brake
36	88-5520-03	1	Bracket-Parking Brake
37	88-0890	1	Grip - Parking Brake
38	3-6498	4	Washer-Thrust

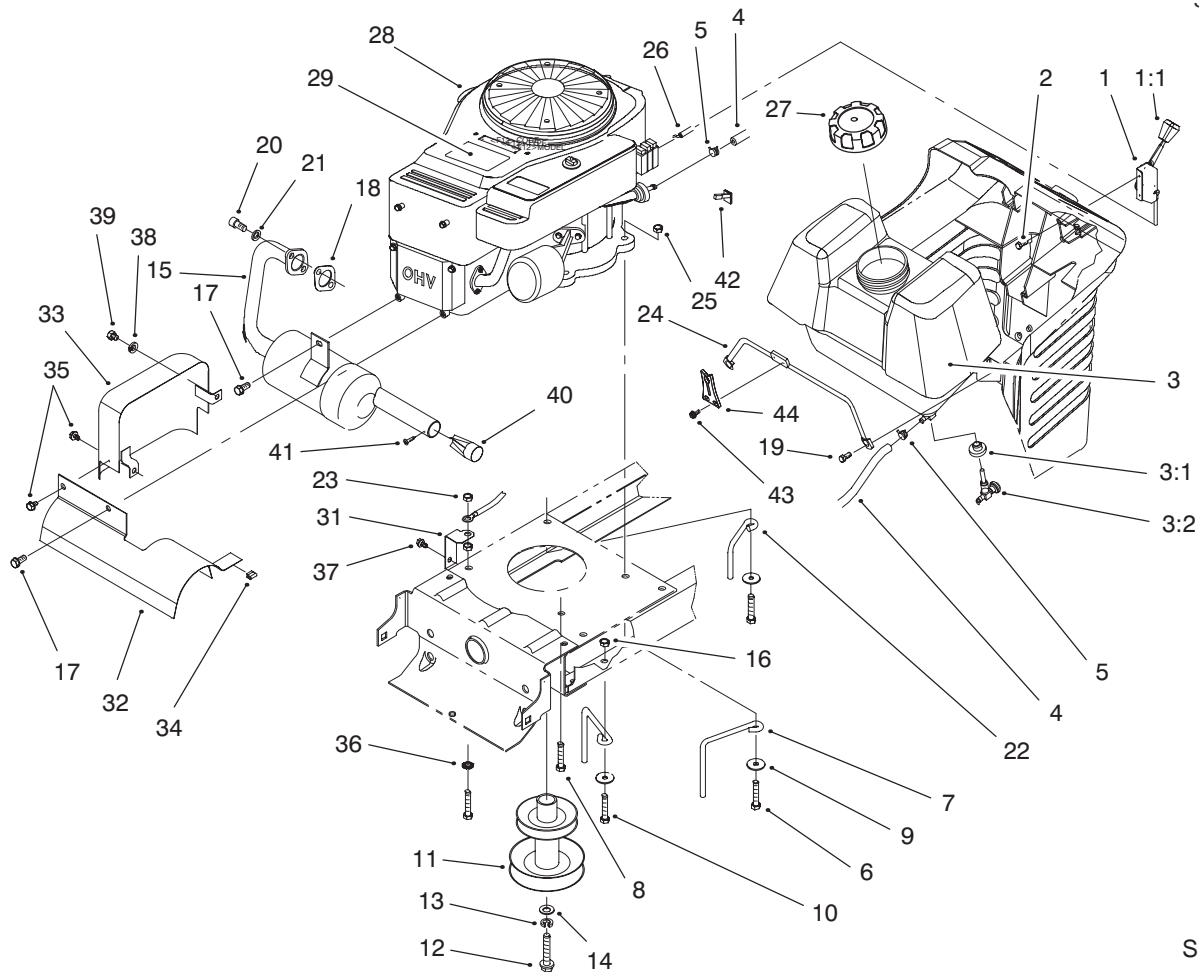


Sheet No.:6

## Steering Assembly

Ref. No.	Part No.	Qty.	Description
1	88-3850	1	Steering Wheel
1:2	88-3870	1	Cover – Steering Wheel
2	32121-111	1	Pin-Spiral
3	32151-81	1	Retaining Ring Push-On
4	88-4190	1	Bushing – Sliding
5	88-4180	1	Button – Release
6	3256-22	2	Washer-Flat
7	321-4	2	Screw-HH
8	88-5180-01	1	Bracket – Backup
9	3296-42	2	Nut-Lock
10	88-4890	1	Spring – Leaf
11	3-7501	4	Washer-Curved
12	3296-42	2	Nut-Lock
13	88-6300	1	Shaft – Steering
14	88-6370	1	Shaft W.a. – Steering
15	27-0220	2	Screw-Special HWH
16	88-5150	1	Bushing – Flange
17	3-6498	1	Washer-Thrust
18	32151-48	1	Ring-Retaining
19	88-4210	1	Bushing – Stationary
20	88-6090	1	Coupling – Steering
21	321-9	2	Screw-HH
22	3-6498	1	Washer-Thrust

Ref. No.	Part No.	Qty.	Description

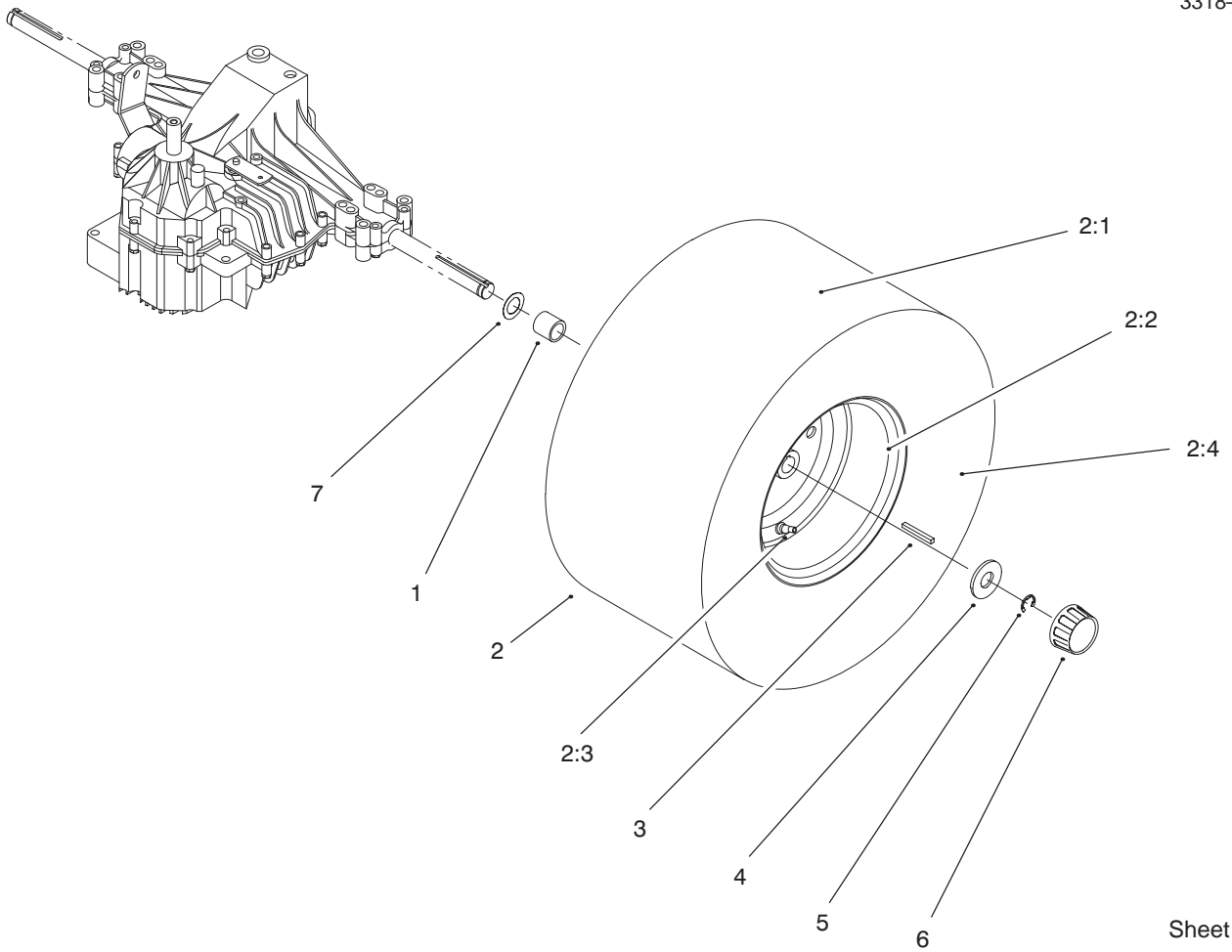


Sheet No.:7

## Engine Assembly

Ref. No.	Part No.	Qty.	Description	Ref. No.	Part No.	Qty.	Description
1	88-4340	1	Throttle Control ASM	24	94-1952	1	Rod-Gas Tank
1:1	66-0120	1	Knob	25	3296-29	2	Nut-Lock
2	27-0220	2	Screw-Special HWH	26	88-4350	1	Cable ASM-Throttle
3	88-3880	1	Gas Tank Assembly	27	88-3980	1	Gas Cap ASM
3:1	104047	1	Bushing	28		1	Engine -16hp B & S Ohv Va
3:2	104048	1	Fuel Valve Assembly	29	94-3526	1	Decal-Engine
4	47-2963	1	Fuel Line	31	93-3809	1	Bracket-Ground
5	2412-98	2	Clamp-Hose	32	93-3880-03	1	Shield - Muffler
6	322-9	3	Screw-HH	33	93-8450-03	1	Exhaust Shield Wa
7	93-3854	3	Belt Guide - Engine	34	93-3882	1	Clip-Tinnerman
8	9267154	1	Screw	35	32104-76	2	Screw-Self TAP
9	5-4460	4	Washer-Fender	36	3255-8	1	Washer-Lock
10	322-5	2	Screw-HH	37	9266714	1	Screw-HWHTF
11	93-3832	1	Pulley - Engine (44")	38	3253-4	1	Washer-Lock
12	26-0671	1	Bolt-Blade	39	322-3	1	Screw-HH
13	3253-22	1	Washer-Lock	40	93-9911	1	Arrestor-Spark
14	3256-25	1	Washer-Flt	41	32144-42	1	Screw-HH TAP
15	93-3892	1	Muffler W.a.	42	88-4490	1	Reducer - Throttle Rpm (Only On: 71218)
16	3296-29	2	Nut-Lock	43	32144-112	2	Screw-Thd Form
17	9266714	2	Screw-HWHTF	44	94-1951	1	Latch-Hood
18	88-4410	1	Gasket - Muffler				
19	27-0220	2	Screw-Special HWH				
20	3274-10	2	Screw-Sckt Hd				
21	3253-4	2	Washer-Lock				
22	93-3855	1	Belt Guide - R.h.				
23	32149-1	2	Nut-Keps				



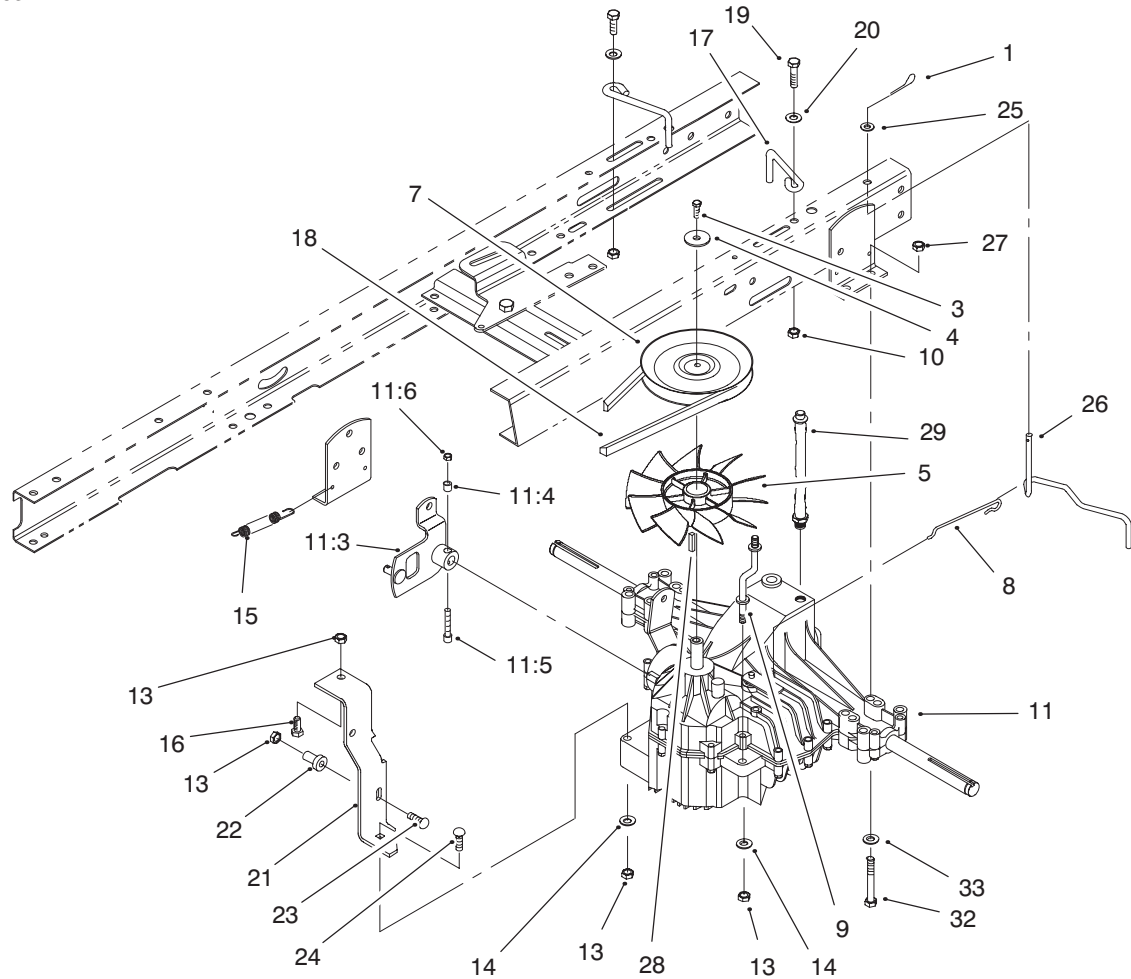


Sheet No.:9

## Rear Axle Assembly

Ref. No.	Part No.	Qty.	Description
1	88-5360	2	Spacer – Pulley
2	93-3811	2	Rear Wheel & Tir ASM
2:1	93-0323	2	Tire – 20x10-8
2:2	88-4390	2	Rim ASM – 18" Rear
2:3	232-27	2	Valve Stem & Cap Assembly
2:4	93-3893	2	Tube – Inner 20x10-8
3	7-0036	2	Key-Square
4	28-2480	2	Washer-Flat
5	32151-48	2	Ring-Retaining
6	61-9780	2	Hubcap
7	3-6498	2	Washer-Thrust

Ref. No.	Part No.	Qty.	Description



Sheet No.:10

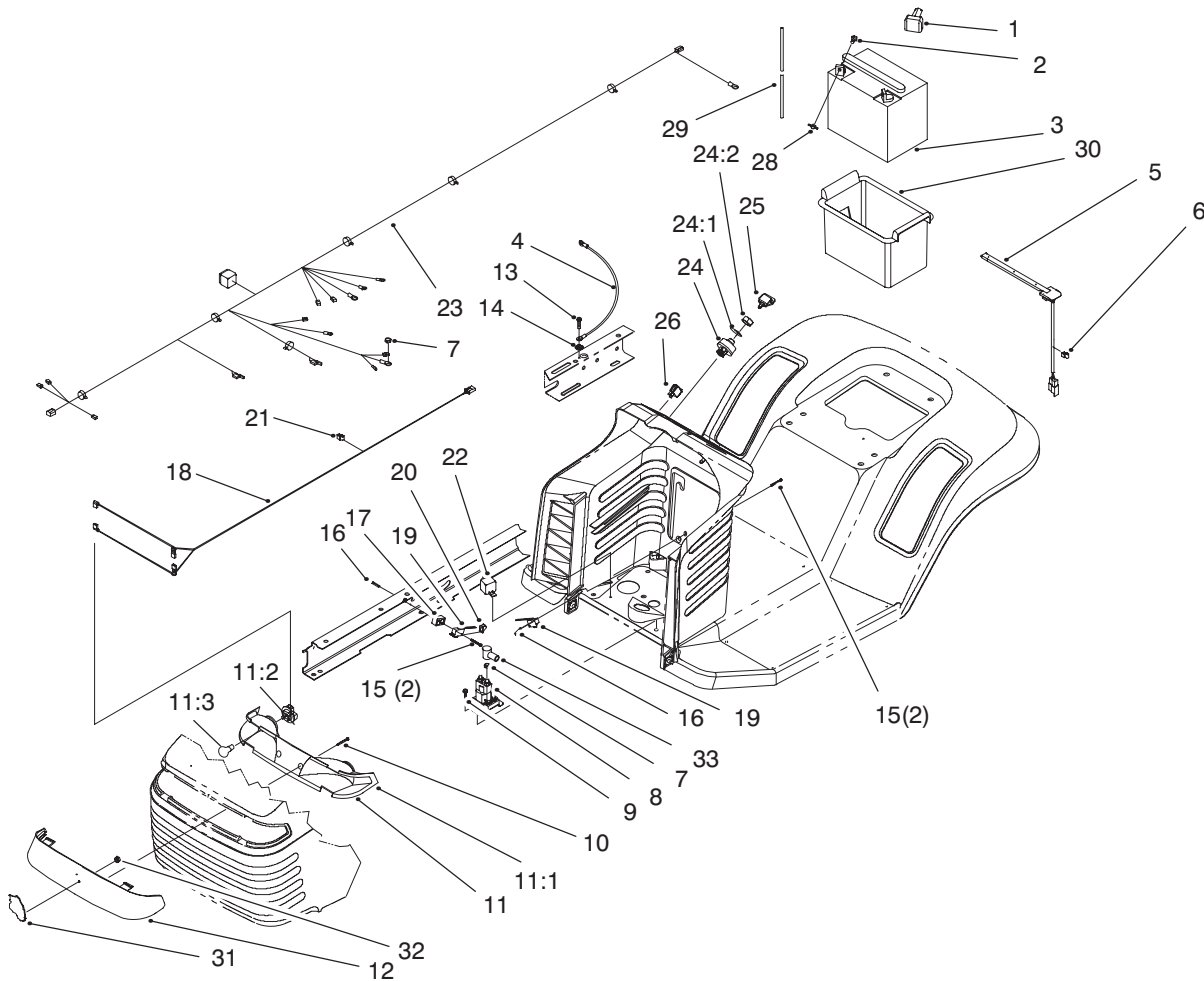
## Transaxle Assembly

Ref. No.	Part No.	Qty.	Description
1	3290-307	1	Pin-Cotter
3	48-7620	1	Screw
4	3256-58	1	Washer-Flt
5	93-3867	1	Fan - Hydro (7"-10bl)
7	93-3862	1	Pulley-Transmission
8	92-8856	1	Wire - Bypass
9	93-3872	1	Strap - Torque
10	3296-29	2	Nut-Lock
11	95-2727	1	Transaxle ASM - Hydro
11:3	93-3870	1	Lever - Speed Control
11:4	86-4270	1	Spacer - Lock
11:5	3274-59	1	Screw - HSH
11:6	3296-12	1	Nut - Lock
13	3296-29	5	Nut-Lock
14	3256-23	3	Washer-Flat
15	26-6701	1	Spring - Extension
16	322-3	1	Screw-HH
17	93-3868	2	Belt Guide - Trans
18	93-3883	1	V-Belt
19	322-5	2	Screw-HH
20	5-4460	2	Washer-Fender
21	93-3863-03	1	Bracket - Speed Control
22	65-5080	1	Bushing - Flanged

Ref. No.	Part No.	Qty.	Description
23	3230-5	1	Bolt-Carriage
24	3230-7	1	Bolt-Carriage
25	3256-22	1	Washer-Flat
26	92-8857	1	Lever - Bypass
27	3296-29	4	Nut-Lock
28	80-6090	1	Key-Square
29	94-1945	1	ASM-Breather Hose
32	322-12	4	Screw HH
33	3256-23	4	Washer-Flat





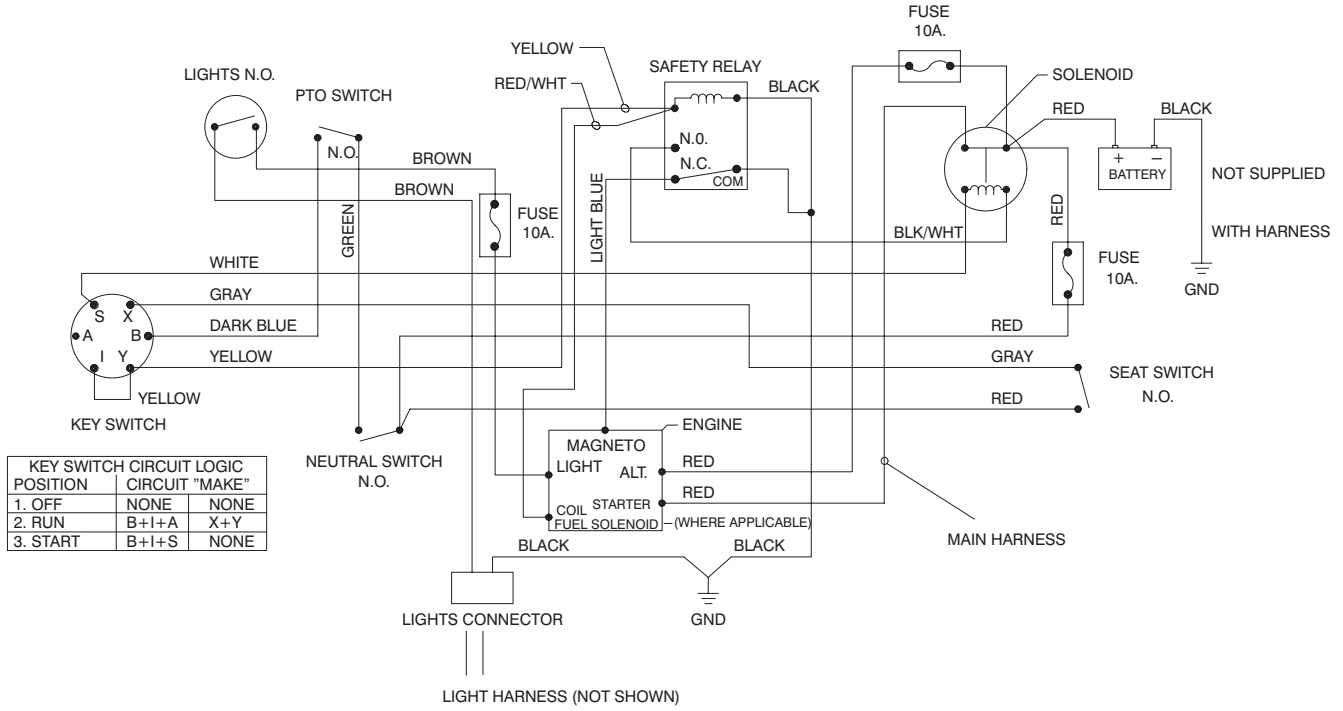


Sheet No.:13

## Electrical Assembly

Ref. No.	Part No.	Qty.	Description
1	28-8080	1	Boot-Battery Terminal
2	321-4	2	Screw-HH
3	80-2600	1	Battery - 7 Plate
4	44-8110	1	Battery Cable -Neg
5	38-1420	1	Switch-Seat
6	702366	1	Clip-Wire Retainer
7	32149-2	3	Nut-Hex Lock
8	92-9845	1	Solenoid
9	9266714	2	Screw-HWHTF
10	32144-32	2	Screw-Plastic
11	88-3970	1	Reflector-Lamp
11:1	93-8741	1	Reflector - Headlight
11:2	111686	2	Socket Assembly
11:3	7227	2	Bulb - Light
12	88-3960	1	Lense - Headlights
13	9266714	1	Screw-HWHTF
14	3255-7	1	Washer-Lock
15	93-0539	4	Screw-PPH
16	3290-354	2	Nut-Speed
17	88-4880	1	Spacer - Microswitch
18	88-4320	1	Harness-Wire
19	88-9932	2	Switch - Micro
20	93-3240	1	Seal-Plunger
21	702366	2	Clip-Wire Retainer
22	116397	1	Relay
23	93-3810	1	Wire Harness

Ref. No.	Part No.	Qty.	Description
24	88-9830	1	Switch-Ignition
24:1	3254-5	1	Washer - Lock
24:2	218-461	1	Nut - HH
25	63-8360	1	Key-Ignition
26	92-8875	1	Switch-Rocker
28	32103-22	2	Nut-Wing
29	56-2540	1	Tube-Vent Use w/80-2600
30	88-4040	1	Battery Box
31	80-2240	1	Plate-Name Grille
32	3290-299	1	Nut - Tinnerman
33	94-5362	1	Boot-Terminal Insulator



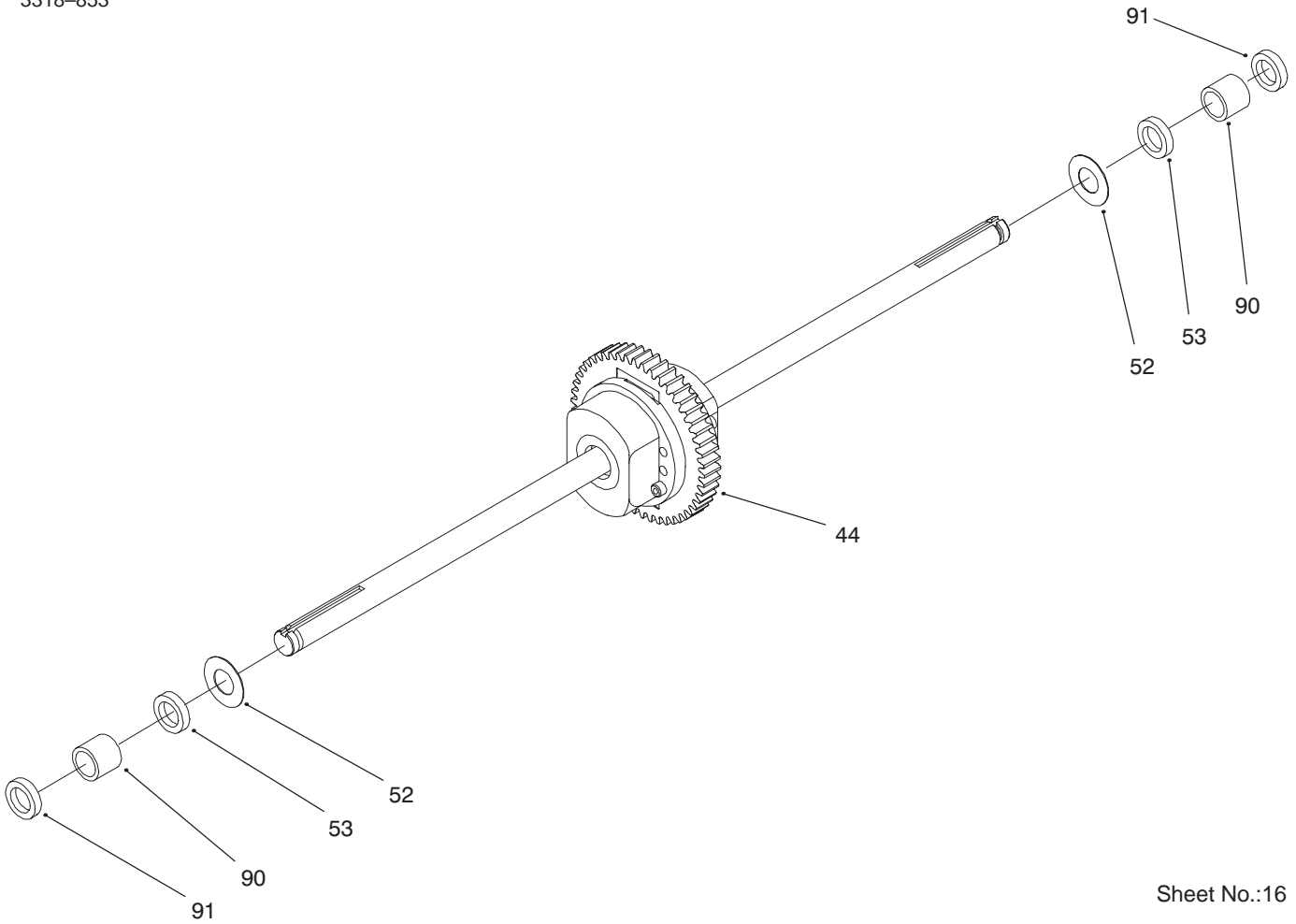
WIRING SCHEMATIC

# Electrical Schematic

Ref. No.	Part No.	Qty.	Description

Ref. No.	Part No.	Qty.	Description



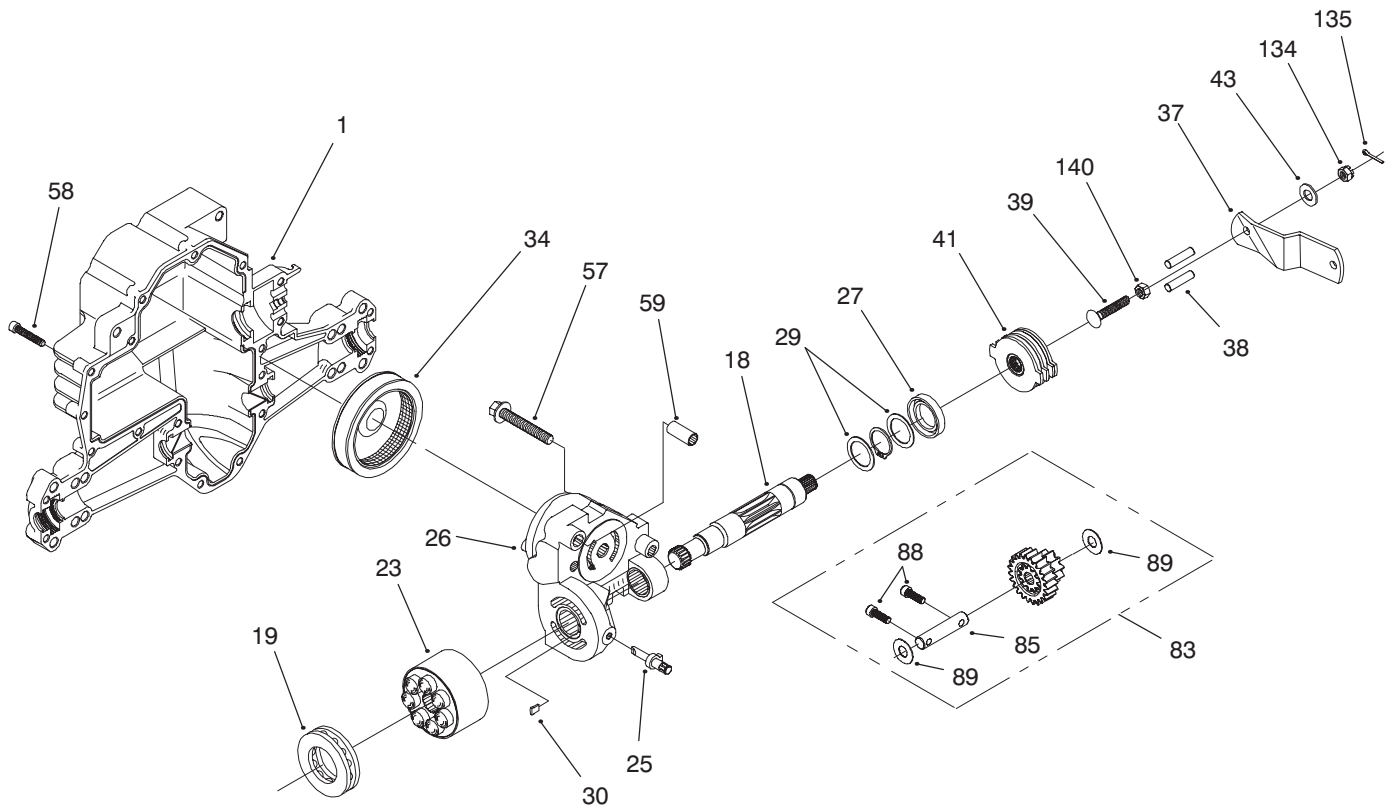


Sheet No.:16

## Hydro Transaxle Assembly (Continued)

Ref. No.	Part No.	Qty.	Description
44	95-3269	1	Differential ASM
52	94-1943	2	Washer
53	94-1924	2	Seal
90	94-1934	2	Sleeve - Bearing
91	94-1935	2	Seal - Wiper

Ref. No.	Part No.	Qty.	Description

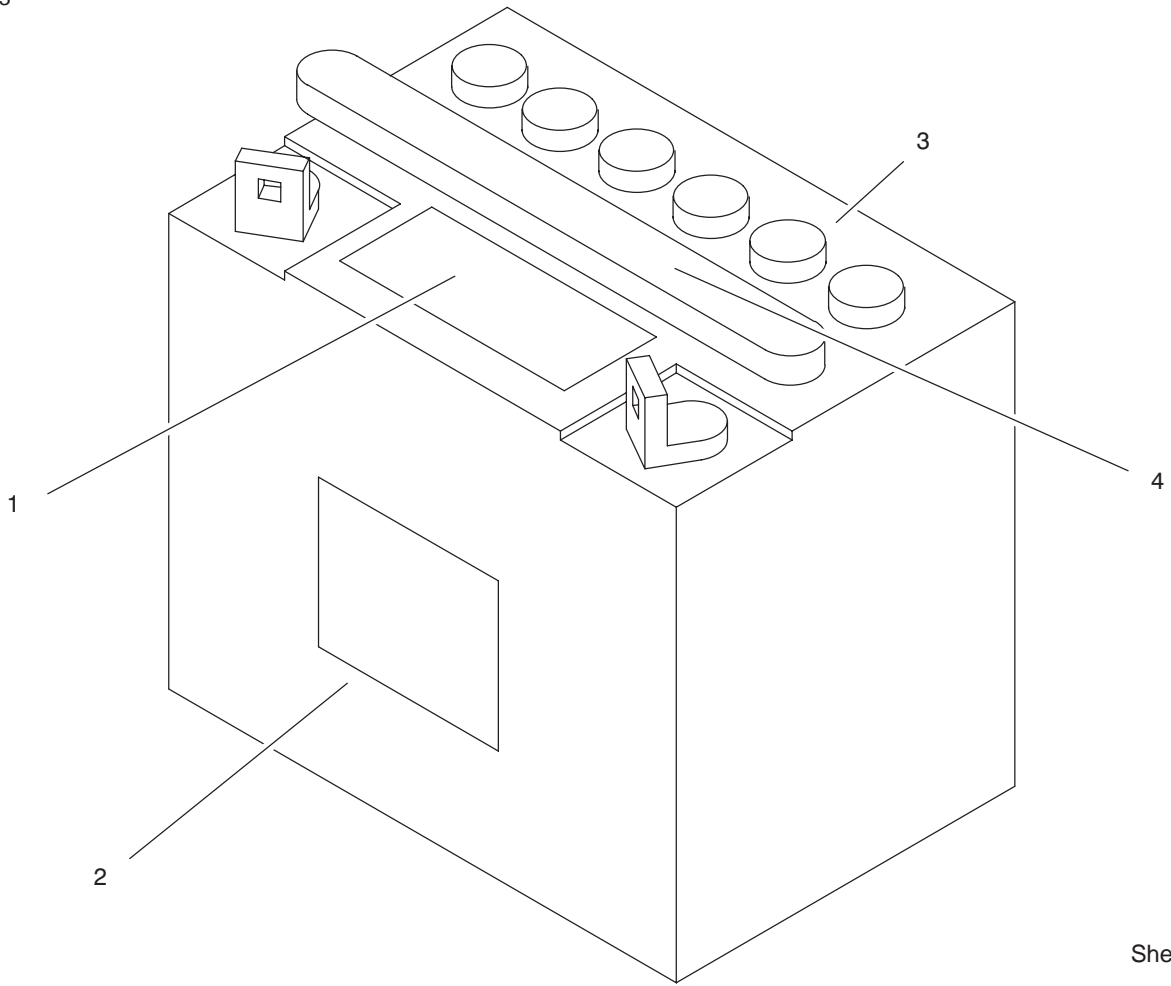


Sheet No.:17

## Hydro Transaxle Assembly (Continued)

Ref. No.	Part No.	Qty.	Description
1	94-1900	1	Housing – Lower
18	94-6955	1	Shaft – Motor
19	94-6923	1	Bearing – Thrust
23	94-1913	1	Block – Cylinder ASM
25	94-1914	1	Actuator – Bypass
26	94-1915	1	Centersection ASM
27	94-1916	1	Seal – Lip
28	94-1917	1	Ring – Retaining
29	94-1918	2	Washer
30	94-6925	1	Bypass Plate
34	94-1920	1	Oil Filter Element
37	93-3861	1	Lever – Brake
38	92-6549	1	Pin – Actuating
39	94-1923	1	Bolt
41	94-1919	4	Bolt Rotor/Starter Kit
43	5-4460	1	Washer – Fender
57	94-6926	3	Bolt
58	94-1926	21	Bolt
59	94-1927	2	Pin
83	94-1930	1	Jackshaft/Pinion Gear ASM
85	94-6956	1	Jackshaft
88	94-1932	2	Capscrew
89	94-1933	2	Washer
134	93-3807	1	Nut – Castle

Ref. No.	Part No.	Qty.	Description
135	3272-7	1	Pin – Cotter
140	3296-20	1	Nut – Lock Insert

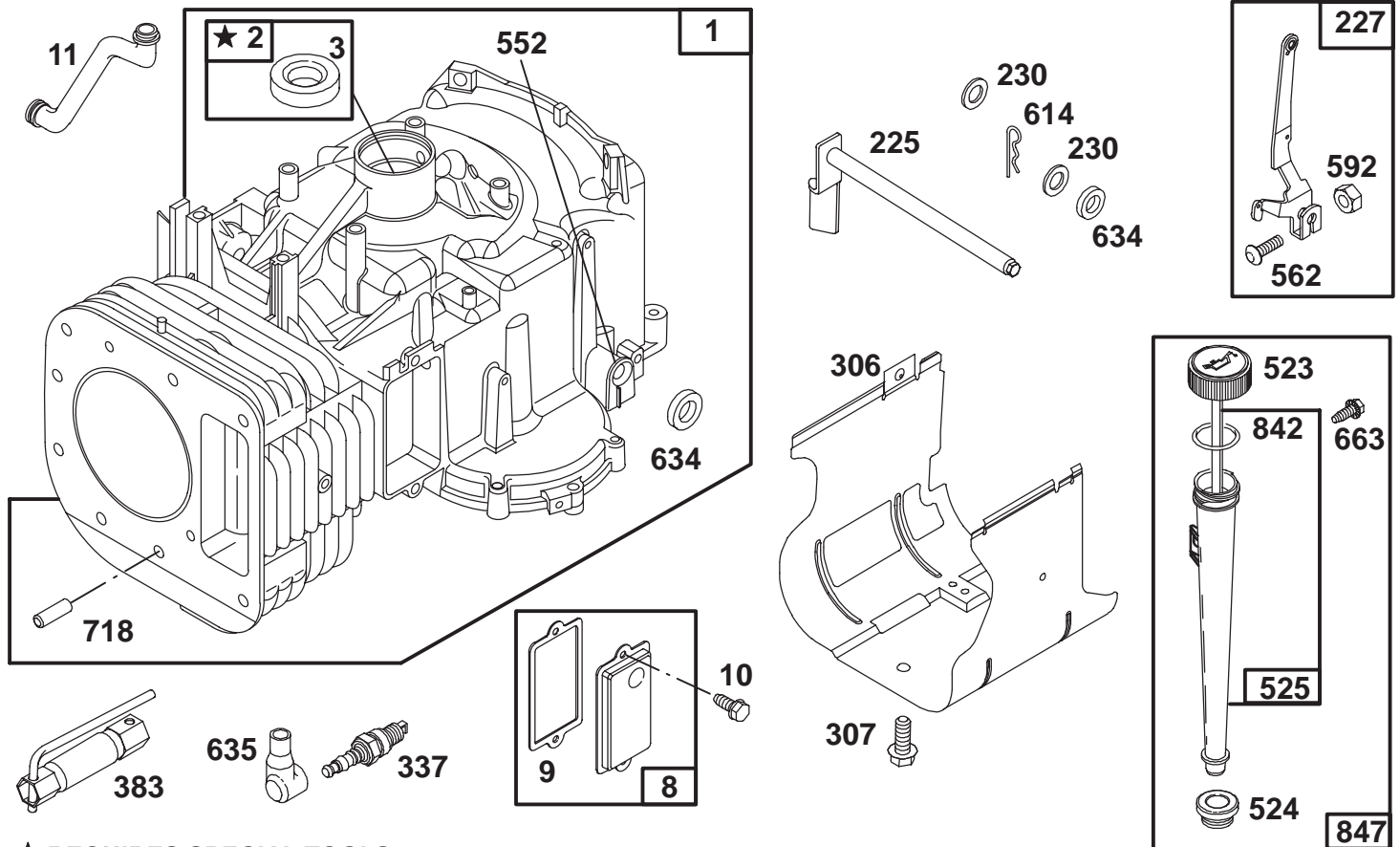


Sheet No.:18

### Battery Assembly

Ref. No.	Part No.	Qty.	Description
1	93-7276	1	Decal - Danger
2	93-6668	1	Decal - Battery Charge Inst.
3	218-560	6	Cap - Battery
4	93-9354	1	Decal - Battery

Ref. No.	Part No.	Qty.	Description



★ REQUIRES SPECIAL TOOLS  
TO INSTALL. SEE REPAIR  
INSTRUCTION MANUAL.

Assemblies include all parts shown in frames.

## ENGINE BRIGGS & STRATTON MODEL 28Q777-0668-A1

Ref. No.	Part No.	Description	No. Used
1	496412	Cylinder Assembly	1
2	399265	Bearing—Cylinder	1
★3	391086	Seal—Oil	1
8	495735	Breather Assembly	1
★9	27803	Gasket—Valve Cover	1
10	94621	Screw—Sem	1
11	281246	Tube—Breather	1
225	495157	Crank—Governor	1
227	493935	Lever Assy.—Governor	1
230	94742	Washer—Governor Lever	1
306	225020	Shield—Cylinder	1
307	94623	Screw—Self Tap	1
332A	94314	Nut—Hex.	1
337	491055	Plug—Spark	1

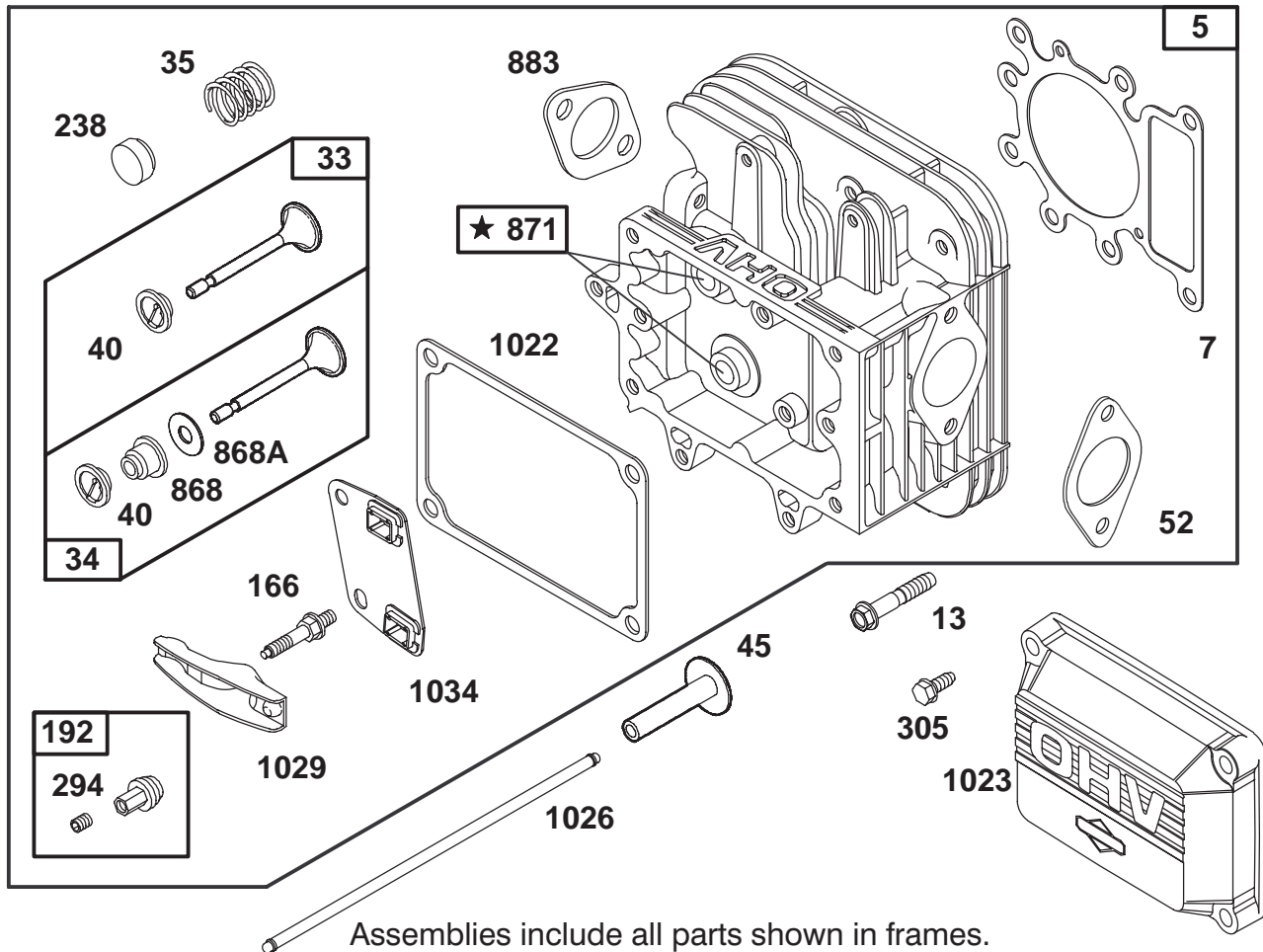
Ref. No.	Part No.	Description	No. Used
383	89838	Wrench—Spark Plug	1
523	495230	Cap—Oil Fill	1
★524	66838	Seal—Fill Tube	1
525	496113	Tube—Oil Fill	1
552	231597	Bushing—Gov. Crank	1
562	92613	Bolt—Governor Lever	1
592	231082	Nut—Hex.	1
614	93306	Pin—Cotter	1
★634	491323	Seal—Governor	1
635	280872	Elbow—Spark Plug	1
663	94073	Screw—Hex. Head	1
718	230192	Pin—Dowel	1
★842	270920	Seal—Oil Fill Cap	1
847	496415	Fill Group—Oil	1

★ Included in Gasket Set—Part No. 495993.

△ Included in Valve Overhaul Kit—Part No. 495992.

● Included in Carburetor Kit—Part No. 498116.

◆ Included in Carburetor Gasket Set—Part No. 494385.



## ENGINE BRIGGS & STRATTON MODEL 28Q777-0668-A1

Ref. No.	Part No.	Description	No. Used
5	495858	Head-Cylinder	1
Δ★7	272614	Gasket-Cylinder Head	1
13	94728	Screw-Cylinder Head	1
33	495856	Valve-Exhaust	1
34	495857	Valve-Intake	1
35	262811	Spring-Valve	1
40	224641	Retainer-Valve	1
45	262411	Tappet-Valve	1
Δ★52	272569	Gasket-Carb. Mounting	1
166	94555	Stud-Rocker Arm	1
192	492160	Screw Assy. Rocker Arm	1
238	262836	Cap-Valve	1
294	810068	Screw-Set	1

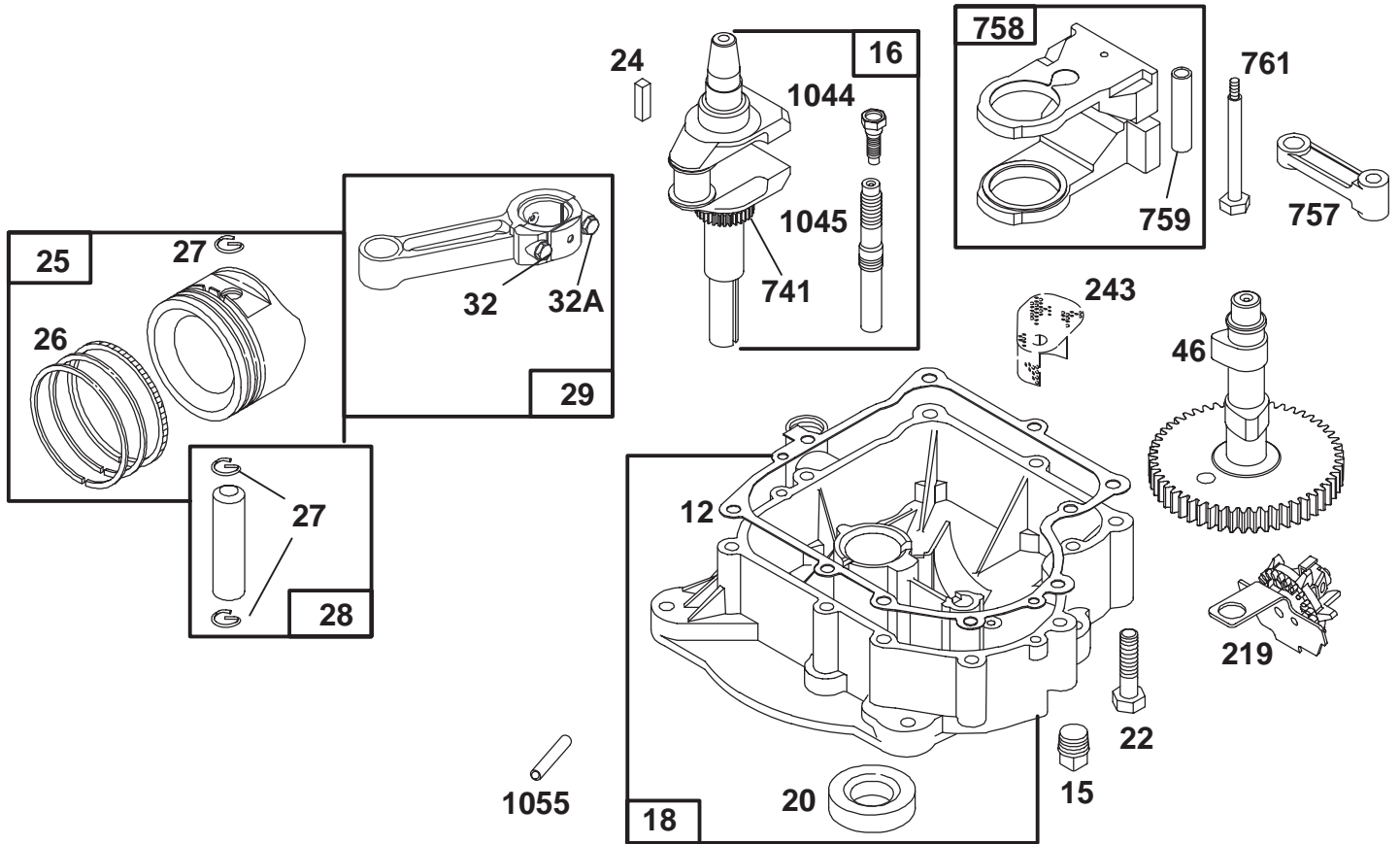
Ref. No.	Part No.	Description	No. Used
305	94682	Screw-Hex. Head	1
Δ★868	494435	Seal-Valve	1
Δ★868A	272610	Seal-Valve	1
871	262835	Bushing-Guide (Intake and Exhaust)	1
Δ★883	272293	Gasket-Exhaust	1
Δ★1022	272475	Gasket-Rocker Cover	1
1023	214314	Cover-Rocker	1
1026	494432	Rod-Push (Intake) <b>Note:</b> 495136 Rod-Push (Exhaust)	1
1029	224554	Arm-Rocker	1
1034	494432	Guide-Push Rod	1

★ Included in Gasket Set-Part No. 495993.

Δ Included in Valve Overhaul Kit-Part No. 495992.

● Included in Carburetor Kit-Part No. 498116.

◆ Included in Carburetor Gasket Set-Part No. 494385.



Assemblies include all parts shown in frames.

## ENGINE BRIGGS & STRATTON MODEL 28Q777-0668-A1

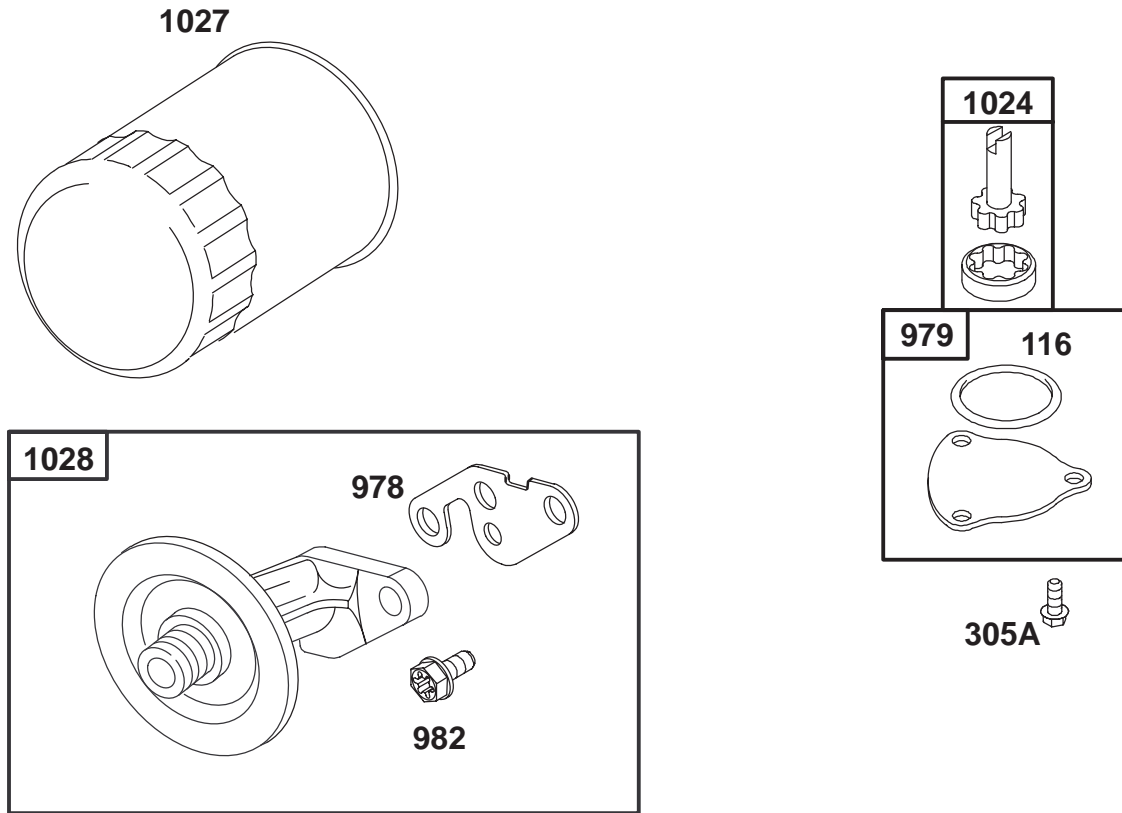
Ref. No.	Part No.	Description	No. Used	Ref. No.	Part No.	Description	No. Used
★12	271916	Gasket—Crankcase (.015" Thick)	1	27	260924	Lock—Piston Pin	1
★	271997	Gasket—Crankcase (.005" Thick)	1	28	299691	Pin—Piston (Standard)	1
★	271996	Gasket—Crankcase (.009" Thick)	1	391286	Pin—Piston (.005" O.S.)	1	
15	94239	Plug—Oil Drain	1	29	494504	Rod—Connecting	1
16	495162	Crankshaft	1	495490	Rod—Conn. (.020" U.S.)	1	
		<b>Note:</b> For Timing Gear Key—Order 94196.	1	32	94695	Screw—Conn. Rod (1 57/64" Long)	1
18	496742	Base—Engine	1	32A	94648	Screw—Conn. Rod (1 5/8" Long)	1
★20	291675	Seal—Oil	1	46	496885	Gear—Cam	1
22	94624	Screw—Sem	1	219	490815	Gear—Gov.	1
24	222698	Key—Flywheel	1	243	225076	Screen—Oil	1
25	494860	Piston Assembly (Standard)	1	741	262932	Gear—Timing	1
	495977	Piston Assy. (.010" O.S.)	1	757	213998	Link—Counterweight	1
	495978	Piston Assy. (.020" O.S.)	1	758	399891	Counterweight Assy.	1
	495979	Piston Assy. (.030" O.S.)	1	759	298909	Pin—Counterweight	1
26	495854	Ring Set (Standard)	1	761	94593	Screw—Counterweight	1
	495852	Ring Set (.010" O.S.)	1	1044	94673	Screw—Shoulder	1
	495851	Ring Set (.020" O.S.)	1	1045	231828	Extension—Crankshaft	1
	495855	Ring Set (.030" O.S.)	1	1055	231931	Tube—Oil Pump	1

★ Included in Gasket Set—Part No. 495993.

△ Included in Valve Overhaul Kit—Part No. 495992.

● Included in Carburetor Kit—Part No. 498116.

◆ Included in Carburetor Gasket Set—Part No. 494385.



Assemblies include all parts shown in frames.

## ENGINE BRIGGS & STRATTON MODEL 28Q777-0668-A1

Ref. No.	Part No.	Description	No. Used
★116	281402	O-Ring	1
305A	94786	Screw-Sem	1
★978	272888	Gasket-Adapter	1
979	496745	Cover-Pump	1

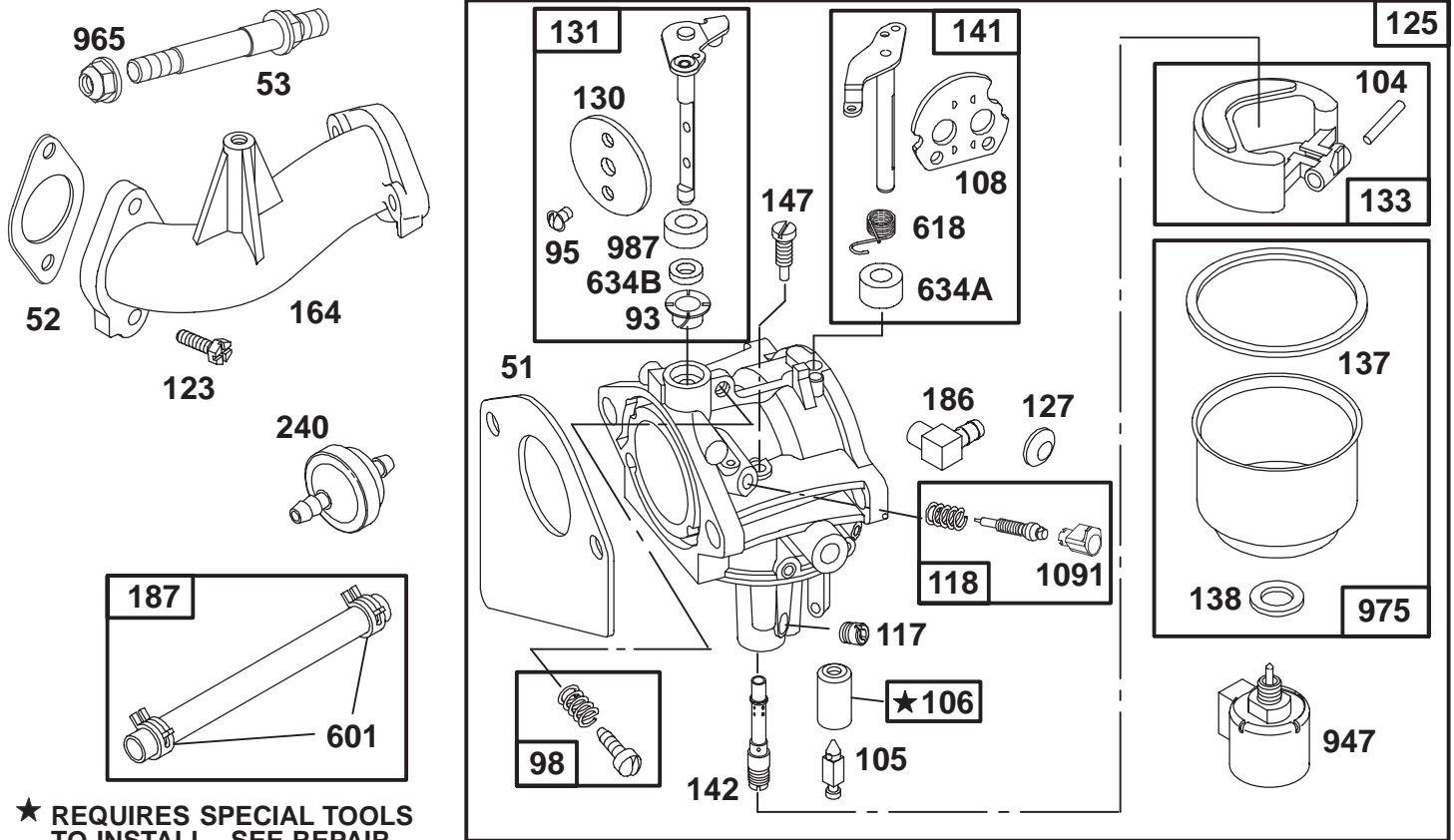
Ref. No.	Part No.	Description	No. Used
982	94899	Screw-Sem	1
1024	493884	Pump-Oil	1
1027	492932	Filter-Oil	1
1028	496744	Adapter-Filter	1

★ Included in Gasket Set-Part No. 495993.

△ Included in Valve Overhaul Kit-Part No. 495992.

● Included in Carburetor Kit-Part No. 498116.

◆ Included in Carburetor Gasket Set-Part No. 494385.



★ **REQUIRES SPECIAL TOOLS TO INSTALL. SEE REPAIR INSTRUCTION MANUAL.**

Assemblies include all parts shown in frames.

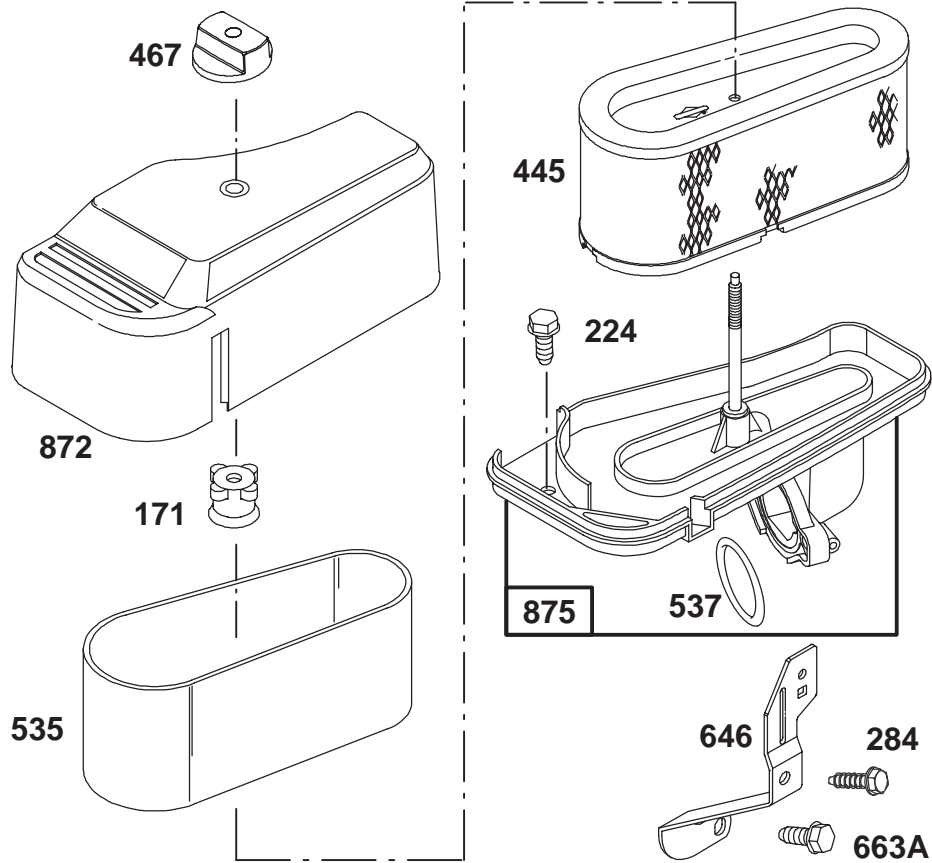
## ENGINE BRIGGS & STRATTON MODEL 28Q777-0668-A1

Ref. No.	Part No.	Description	No. Used
◆51	272465	Gasket—Carburetor	1
△★52	272569	Gasket—Carburetor	1
53	94637	Stud—Carb. Mtg.	1
●95	94098	Screw—Throttle	1
98	495800	Screw—Idle Adjust	1
●104	231789	Pin—Float Hinge	1
●105	231855	Valve—Inlet Needle	1
●106	231854	Seat—Inlet	1
108	224540	Valve—Choke	1
●117	231858	Jet—Main	1
118	495932	Valve—Needle	1
123	94616	Screw—Elbow Mtg.	1
125	498061	Carburetor	1
●127		Plug—Welch (Sold in Kit Only)	1
130	224539	Valve—Throttle	1
131	494379	Shaft—Throttle	1
133	494381	Float—Carburetor	1
◆137	281165	Gasket—Float Bowl	1

Ref. No.	Part No.	Description	No. Used
◆138	281164	Washer—Float Bowl	1
141	495931	Shaft—Choke	1
●142	231990	Nozzle—Carburetor	1
●147	231985	Jet—Pilot	1
164	214047	Manifold—Intake	1
186	493496	Elbow—Fuel Pipe	1
187	393815	Line—Fuel (11" Long, Cut to Suit)	1
240	394358	Filter—Fuel	1
601	93053	Clamp—Hose	1
618	262803	Spring—Choke Return	1
●634A	281168	Seal—Choke Shaft	1
●634B	398970	Seal—Throttle Shaft	1
947	497672	Solenoid	1
965	94010	Nut—Hex.	1
975	495933	Bowl—Float	1
●987	281166	Seal—Throttle Shaft	1
1091	281364	Cap—Limiter	1

★ Included in Gasket Set—Part No. 495993.  
 △ Included in Valve Overhaul Kit—Part No. 495992.

● Included in Carburetor Kit—Part No. 498116.  
 ◆ Included in Carburetor Gasket Set—Part No. 494385.



Assemblies include all parts shown in frames.

## ENGINE BRIGGS & STRATTON MODEL 28Q777-0668-A1

Ref. No.	Part No.	Description	No. Used
171	281051	Nut—Air Cleaner Mtg.	1
224	94729	Screw—Air Cleaner Sem	1
284	94704	Screw—Air Cleaner	1
445	493909	Filter—Air	1
467	493903	Knob—Air Cleaner	1
535	272403	Filter—Air	1

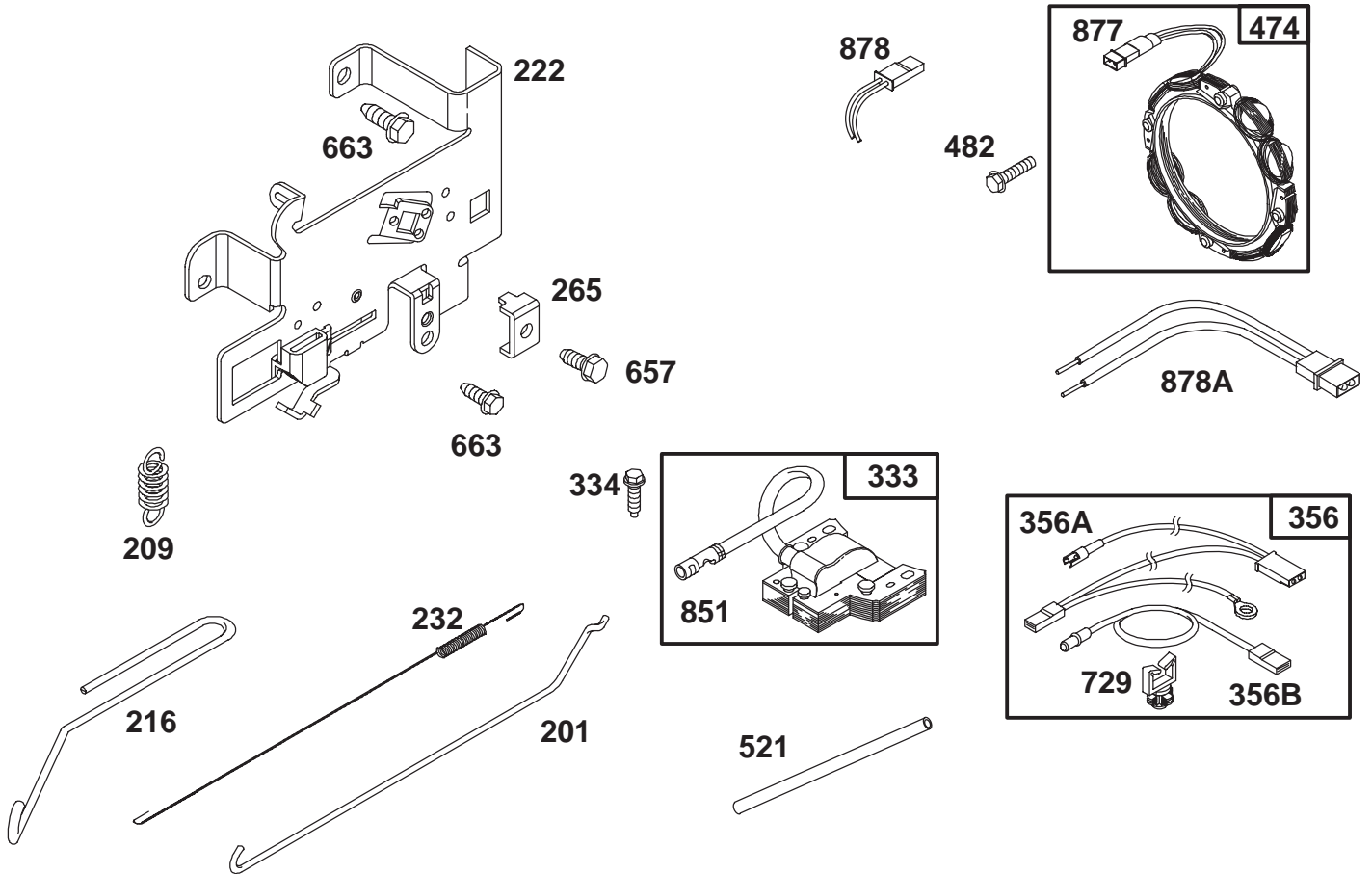
Ref. No.	Part No.	Description	No. Used
★537	281106	Gasket—Air Cleaner	1
646	224546	Brace—Air Cleaner	1
663A	94620	Screw—Hex. Hd.	1
872	281365	Cover—Air Cleaner	1
875	495862	Body—Air Cleaner	1

★ Included in Gasket Set—Part No. 495993.

△ Included in Valve Overhaul Kit—Part No. 495992.

● Included in Carburetor Kit—Part No. 498116.

◆ Included in Carburetor Gasket Set—Part No. 494385.



Assemblies include all parts shown in frames.

## ENGINE BRIGGS & STRATTON MODEL 28Q777-0668-A1

Ref. No.	Part No.	Description	No. Used
201	262767	Link-Governor	1
209	260695	Spring-Governor	1
216	262766	Link-Choke	1
222	495611	Plate-Gov. Control	1
232	262785	Spring-Governor Link	1
265	221535	Clamp-Casing	1
333	495859	Armature-Magneto	1
334	93381	Screw-Sem	1
356	497708	Wire Stop	1
356A	497671	Wire Stop	1
356B	494705	Wire Stop	1

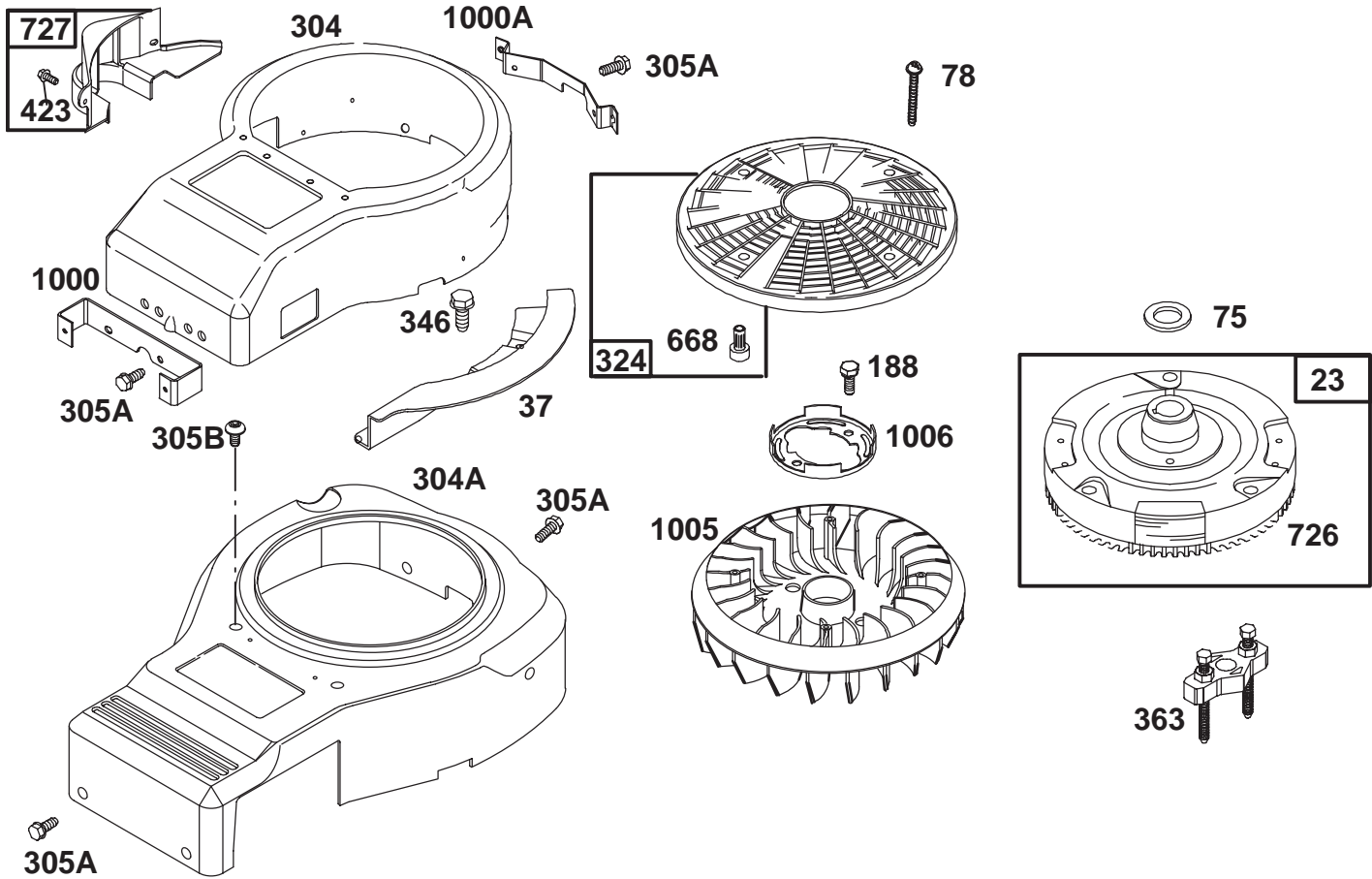
Ref. No.	Part No.	Description	No. Used
474	393474	Alternator	1
521	272699	Shielding-Cable	1
482	93621	Screw-Sem	1
657	93496	Screw-Sem	1
663	94620	Screw-Hex. Hd.	1
729	281390	Clip-Wire	1
851	224110	Terminal-Ignition Cable	1
877	393456	Diode Assy.	1
878	393362	Harness-Alternator	1
878A	399916	Harness-Alternator	1
1054	270723	Tie-Cable	1

★ Included in Gasket Set-Part No. 495993.

△ Included in Valve Overhaul Kit-Part No. 495992.

● Included in Carburetor Kit-Part No. 498116.

◆ Included in Carburetor Gasket Set-Part No. 494385.



Assemblies include all parts shown in frames.

## ENGINE BRIGGS & STRATTON MODEL 28Q777-0668-A1

Ref. No.	Part No.	Description	No. Used
23	492326	Flywheel	1
37	224502	Guard-Flywheel	1
75	225136	Washer-Flat	1
78	94821	Screw-Sem	1
188	94627	Screw-Sem	1
304	225175	Housing-Blower (Inner)	1
304A	225017	Housing-Blower (Outer)	1
305A	94786	Screw-Hex. Head	1
305B	94822	Screw-Sem	1
324	494439	Screen-Rotating	1
346	93705	Screw-Hex. Head	1

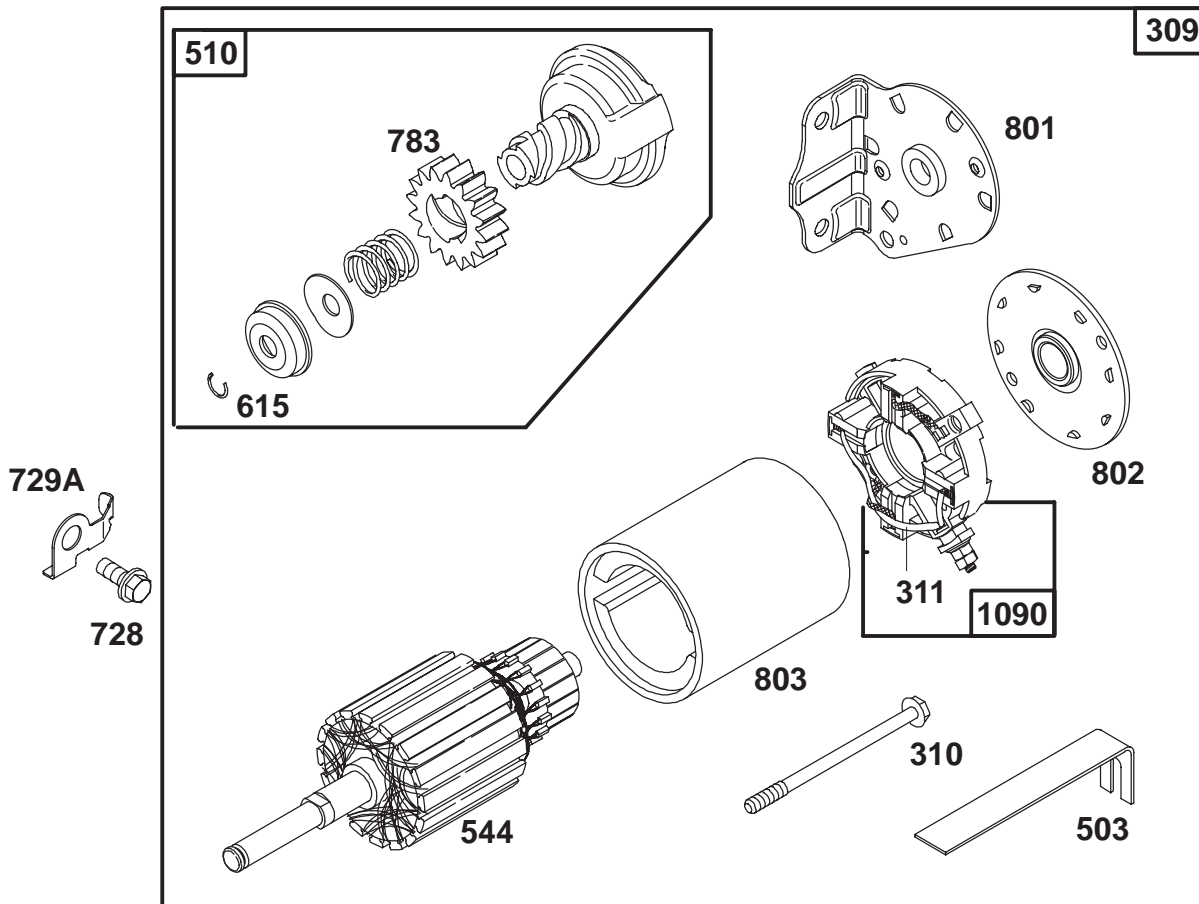
Ref. No.	Part No.	Description	No. Used
363	19203	Puller-Flywheel	1
423	94073	Screw-Sem	1
668	805402	Spacer	1
726	392134	Gear-Ring (Includes Mtg. Hardware)	1
727	490324	Housing-Drive	1
1000	224968	Bracket-Front	1
1000A	224969	Bracket-Rear	1
1005	281400	Fan-Flywheel	1
1006	224413	Retainer-Fan	1

★ Included in Gasket Set-Part No. 495993.

△ Included in Valve Overhaul Kit-Part No. 495992.

● Included in Carburetor Kit-Part No. 498116.

◆ Included in Carburetor Gasket Set-Part No. 494385.



Assemblies include all parts shown in frames.

## ENGINE BRIGGS & STRATTON MODEL 28Q777-0668-A1

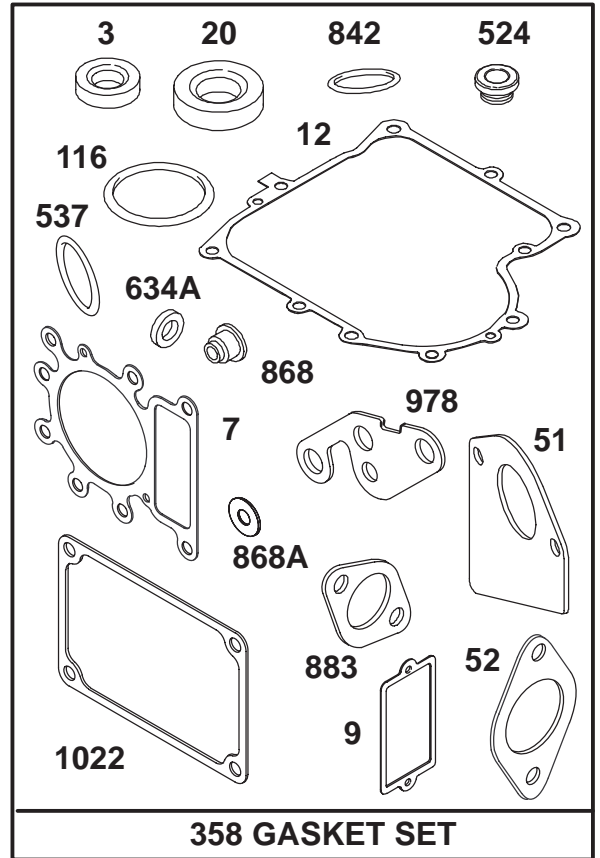
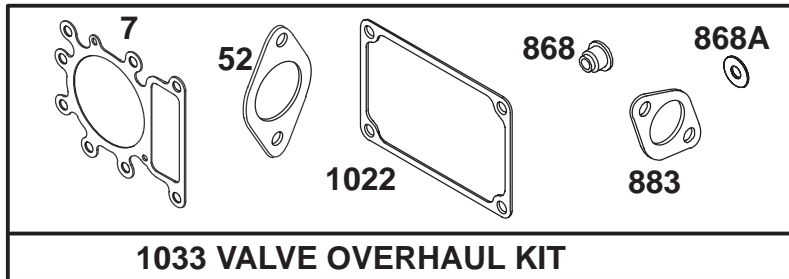
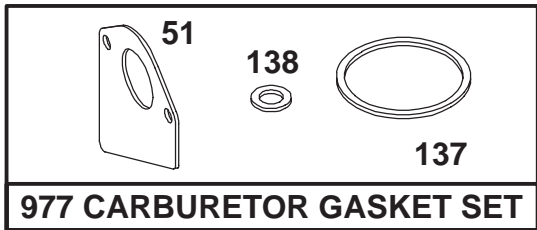
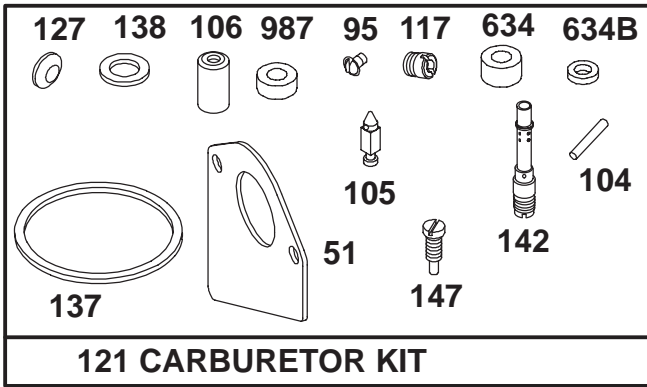
Ref. No.	Part No.	Description	No. Used	Ref. No.	Part No.	Description	No. Used
309	497595	Motor-Starter	1	728	94627	Screw-Hex. Head	1
310	94003	Bolt-Thru	1	729A	225170	Clip-Wire	1
311	497608	Brush Set	1	783	280104	Gear-Starter	1
503	806000	Strap-Starter	1	801	394856	Cap-Drive	1
510	497606	Drive-Starter	1	802	497607	Plate-Cover	1
544	497603	Armature-Starter	1	803	497604	Housing-Starter	1
615	263080	Retainer	1	1090	497605	Cap-End	1

★ Included in Gasket Set-Part No. 495993.

△ Included in Valve Overhaul Kit-Part No. 495992.

● Included in Carburetor Kit-Part No. 498116.

◆ Included in Carburetor Gasket Set-Part No. 494385.



Assemblies include all parts shown in frames.

## ENGINE BRIGGS & STRATTON MODEL 28Q777-0668-A1

Ref. No.	Part No.	Description	No. Used
★3	391086	Seal—Oil	1
△★7	272614	Gasket—Cylinder Head	1
★9	27803	Gasket—Valve Cover	1
★12	271916	Gasket—Crankcase (.015" Thick)	1
★	271997	Gasket—Crankcase (.005" Thick)	1
★	271996	Gasket—Crankcase (.009" Thick)	1
★20	291675	Seal—Oil	1
●◆51	272465	Gasket—Carburetor	1
△★52	272569	Gasket—Carburetor	1
●95	94098	Screw—Throttle	1
●104	231789	Pin—Float Hinge	1
●105	231855	Valve—Inlet Needle	1
●106	231854	Seat—Inlet	1
★116	281402	O—Ring	1
●117	231858	Jet—Main	1
121	498116	Carburetor Kit	1
●127		Plug—Welch (Sold in Kit Only).	1

Ref. No.	Part No.	Description	No. Used
●◆137	281165	Gasket—Float Bowl	1
●◆138	281164	Washer—Float Bowl	1
●142	231990	Nozzle—Carburetor	1
●147	231985	Jet—Pilot	1
358	495993	Gasket Set	1
★524	68838	Seal—Fill Tube	1
★537	281106	Gasket—Air Cleaner	1
★634	491323	Seal—Governor	1
●634A	281168	Seal—Choke Shaft	1
●634B	281167	Seal—Throttle Shaft	1
★842	270920	Seal—Oil Fill Cap	1
△★868	494435	Seal—Valve	1
△★868A	272610	Gasket—Valve	1
△★883	272293	Gasket—Exhaust	1
977	494385	Carburetor Gasket Set	1
★978	272888	Gasket—Adapter	1
●987	281166	Seal—Shaft	1
△★1022	272475	Gasket—Rocker Cover	1
1033	495992	Kit—Valve Overhaul	1

★ Included in Gasket Set—Part No. 495993.  
 △ Included in Valve Overhaul Kit—Part No. 495992.

● Included in Carburetor Kit—Part No. 498116.  
 ◆ Included in Carburetor Gasket Set—Part No. 494385.

# Toro Part Number Index

Part No.	Page No.	Ref. No.	Qty.	Description
7227	12	11:3	2	Bulb – Light
104047	6	3:1	1	Bushing
104048	6	3:2	1	Fuel Valve Assembly
111419	4	12	1	Washer–Bearing
111686	12	11:2	2	Socket Assembly
114621	3	24	1	Decal–Noise (Only On: 71218)
116397	12	22	1	Relay
701178	1	1	2	Cap–Protector
702366	12	6	1	Clip–Wire Retainer
702366	12	21	2	Clip–Wire Retainer
936109	14	36	1	Ring – Retaining
9266714	2	36	2	Screw–HWHTF
9266714	6	17	2	Screw–HWHTF
9266714	6	37	1	Screw–HWHTF
9266714	12	9	2	Screw–HWHTF
9266714	12	13	1	Screw–HWHTF
9267154	6	8	1	Screw
3–6498	4	21	2	Washer–Thrust
3–6498	4	38	4	Washer–Thrust
3–6498	5	17	1	Washer–Thrust
3–6498	5	22	1	Washer–Thrust
3–6498	8	7	2	Washer–Thrust
3–7501	5	11	4	Washer–Curved
5–4460	16	43	1	Washer – Fender
5–4460	3	4	1	Washer–Fender
5–4460	4	17	1	Washer–Fender
5–4460	6	9	4	Washer–Fender
5–4460	7	35	1	Washer–Fender
5–4460	9	20	2	Washer–Fender
7–0030	11	11	2	Shoulder Bolt
7–0030	11	18	1	Shoulder Bolt
7–0036	8	3	2	Key–Square
23–0310	10	8	1	Shoulder Bolt
26–0671	6	12	1	Bolt–Blade
26–6701	9	15	1	Spring – Extension
27–0220	5	15	2	Screw–Special HWH
27–0220	6	2	2	Screw–Special HWH
27–0220	6	19	2	Screw–Special HWH
27–8890	7	1	1	Spring – Pedal Return
28–0540	2	6	2	Bolt–Shoulder
28–2480	4	28	2	Washer–Flat
28–2480	8	4	2	Washer–Flat
28–8080	12	1	1	Boot–Battery Terminal
37–8770	3	1	2	Bolt–Shldr
37–8770	3	2	2	Bolt–Shldr
37–8770	7	31	1	Bolt–Shldr
37–8771	10	15	1	Bolt–Shoulder
38–1420	12	5	1	Switch–Seat
44–8110	12	4	1	Battery Cable –Neg
46–8090	2	13	4	Screw–Tapping
46–8090	2	17	3	Screw–Tapping
46–8090	10	5	2	Screw–Tapping
46–8091	2	3	2	Screw–Tapping
46–8091	2	10	1	Screw–Tapping
47–2963	6	4	1	Fuel Line
48–7620	9	3	1	Screw
52–2891	4	11	1	Bushing – Steering Links
56–2540	12	29	1	Tube–Vent Use w/80–2600
61–9780	4	26	2	Hubcap
61–9780	8	6	2	Hubcap
63–8360	12	25	1	Key–Ignition
65–2920	7	20	1	Pad–Pedal

\*Not Illustrated

# Toro Part Number Index (cont.)

Part No.	Page No.	Ref. No.	Qty.	Description
65-5080	9	22	1	Bushing – Flanged
65-7210	11	23	1	Spacer
66-0120	6	1:1	1	Knob
76-1340	1	32	1	Decal-USA (Only On: 71196)
80-2240	12	31	1	Plate-Name Grille
80-2600	12	3	1	Battery – 7 Plate
80-6090	9	28	1	Key-Square
80-6990	11	8	2	Washer-Hardened
86-4270	14	103	1	Spacer
86-4270	9	11:4	1	Spacer – Lock
88-0890	4	37	1	Grip – Parking Brake
88-3840	1	28	1	Body – Rear
88-3850	5	1	1	Steering Wheel
88-3870	5	1:2	1	Cover – Steering Wheel
88-3880	6	3	1	Gas Tank Assembly
88-3940-03	1	5	1	Panel – Rear
88-3960	12	12	1	Lense – Headlights
88-3970	12	11	1	Reflector-Lamp
88-3980	6	27	1	Gas Cap ASM
88-4040	12	30	1	Battery Box
88-4070	4	29:2	2	Tire 15x6.00-6
88-4140	2	23	2	Nut – Wedge
88-4160	2	24	2	Clamp – Pivot Rod
88-4170	2	20	1	Rod – Pivot
88-4180	5	5	1	Button – Release
88-4190	5	4	1	Bushing – Sliding
88-4210	5	19	1	Bushing – Stationary
88-4230	11	13	2	Trunnion – HOC
88-4280	4	29	2	Front Wheel & Tire ASM
88-4320	12	18	1	Harness-Wire
88-4340	6	1	1	Throttle Control ASM
88-4350	6	26	1	Cable ASM-Throttle
88-4370	4	29:1	2	Rim ASM-15" Front
88-4390	8	2:2	2	Rim ASM – 18" Rear
88-4400	4	29:4	2	Bearing – Wheel
88-4410	6	18	1	Gasket – Muffler
88-4490	6	42	1	Reducer – Throttle Rpm (Only On: 71218)
88-4620-03	1	11	1	Bracket – Idler Pivot
88-4630-03	1	24	1	Plate – Engine Mounting
88-4670	4	9	1	Bushing – Eccentric
88-4690	10	7	1	Block – Pivot
88-4730	11	16	2	Clamp – HOC Pivot
88-4810	7	13	1	Clamp – Shift Pivot
88-4820-03	3	11	2	Bracket – Seat Hinge
88-4880	12	17	1	Spacer – Microswitch
88-4890	5	10	1	Spring – Leaf
88-4910-03	3	3	1	Support – Seat
88-4990	3	23	1	Tray – Fender
88-5000-03	7	21	1	Pedal – Clutch/Brake
88-5010	4	7	1	Spacer – Steering Rack
88-5030-03	3	9	1	Gate – HOC
88-5130-03	4	5	1	Bracket – Steering Rack
88-5150	5	16	1	Bushing – Flange
88-5170	3	7	1	Cover – HOC (Only On: 71196)
88-5180-01	5	8	1	Bracket – Backup
88-5190-03	2	25	1	Lever W.a. – Deck Engage
88-5200	4	10	1	Steering Rack W.a.
88-5230	3	17	1	Foot Mat – RH
88-5240	3	16	1	Foot Mat
88-5270	7	29	1	Rod – Clutch/Brake
88-5360	8	1	2	Spacer – Pulley
88-5450	11	12	2	Rod – Hanger

\*Not Illustrated

# Toro Part Number Index (cont.)

Part No.	Page No.	Ref. No.	Qty.	Description
88-5470	4	23	2	Spacer – Front Axle
88-5500	7	15	1	Rod – Pedal Pivot
88-5510	4	35	1	Rod–Parking Brake
88-5520-03	4	36	1	Bracket–Parking Brake
88-5560	7	32	1	Belt Guide – Idler
88-5570-03	11	6	4	Link–Adjusting HOC
88-5610	10	14	2	Lever – Neutral Return
88-5680	7	33	1	Idler Pulley
88-6040-03	2	18	1	Bracket – Hinge
88-6050-03	2	7	1	Bracket – Hinge
88-6070	7	30	1	Arm –Idler
88-6090	5	20	1	Coupling – Steering
88-6140	7	2	1	Spring – Brake
88-6220	1	4	2	Spring – Compression
88-6300	5	13	1	Shaft – Steering
88-6330	7	7	1	Spring – Extension
88-6370	5	14	1	Shaft W.a. – Steering
88-9830	12	24	1	Switch–Ignition
88-9932	12	19	2	Switch – Micro
92-2460	2	30	1	Decal – Ignition/Lights (Only On: 71196)
92-2461	2	31	1	Decal – Throttle (Only On: 71196)
92-2462	2	32	1	Decal – Deck Engage (Only On: 71196)
92-2467	2	34	1	Decal – Hood Right
92-2468	2	33	1	Decal – Hood Left
92-5730	2	31	1	Decal – Throttle (Only On: 71218)
92-5731	2	30	1	Decal–Ign/Lights (Only On: 71218)
92-5748	2	14:1	1	Decal – Air Duct
92-5782	2	15	1	Patch – Heat Tape
92-6511	3	25	1	Seat
92-6544	14	15	1	Seal – Lip
92-6545	14	24	1	Seal – Lip
92-6547	14	35	1	Arm – Bypass
92-6549	16	38	1	Pin – Actuating
92-7305	10	11	1	Spring – Extension
92-7889-03	4	30	1	Spindle Wa–RH
92-8650	2	14	1	Hood–Toro
92-8856	9	8	1	Wire – Bypass
92-8857	9	26	1	Lever – Bypass
92-8875	12	26	1	Switch–Rocker
92-9674	3	5	1	Knob–Studded
92-9845	12	8	1	Solenoid
93-0303	2	1	1	Tower–Steering Toro
93-0323	8	2:1	2	Tire – 20x10-8
93-0539	12	15	4	Screw–PPH
93-3240	12	20	1	Seal–Plunger
93-3807	16	134	1	Nut – Castle
93-3808	11	17	1	Spring – Extension
93-3809	6	31	1	Bracket–Ground
93-3810	12	23	1	Wire Harness
93-3811	8	2	2	Rear Wheel & Tir ASM
93-3812	10	9	1	Pedal – Speed Control
93-3822-03	11	1	1	Lever–HOC
93-3831-03	1	38	1	Support – Rear
93-3832	6	11	1	Pulley – Engine (44")
93-3833-03	4	18	1	Spindle Wa–LH
93-3834-03	1	21	1	Support – Front Axle
93-3840	4	34	1	Link – Drag
93-3849	2	37	1	Brkt–Cable
93-3854	6	7	3	Belt Guide – Engine
93-3855	6	22	1	Belt Guide – R.h.
93-3856-03	1	36	1	Bracket–Trans Mtg RH
93-3857-03	1	10	1	Bracket–Trans Mtg LH

\*Not Illustrated

# Toro Part Number Index (cont.)

Part No.	Page No.	Ref. No.	Qty.	Description
93-3861	16	37	1	Lever - Brake
93-3862	9	7	1	Pulley-Transmission
93-3863-03	9	21	1	Bracket - Speed Control
93-3864	2	16	1	Shield - Heat
93-3867	9	5	1	Fan - Hydro (7" - 10bld)
93-3868	9	17	2	Belt Guide - Trans
93-3870	14	100	1	Control Arm
93-3870	9	11:3	1	Lever - Speed Control
93-3872	9	9	1	Strap - Torque
93-3873	4	32	1	Tie Rod Assy
93-3874	10	18	1	Link - Speed/Direct Ctrl
93-3875	10	16	1	Bellcrank
93-3877	10	13	1	Rod -Speed Control
93-3880-03	6	32	1	Shield - Muffler
93-3882	6	34	1	Clip-Tinnerman
93-3883	9	18	1	V-Belt
93-3885	11	3	1	Tube Wa
93-3888	11	10	1	Link - HOC
93-3891	2	12	1	Duct - Hood Air
93-3892	6	15	1	Muffler W.a.
93-3893	8	2:4	2	Tube - Inner 20x10-8
93-6668	17	2	1	Decal - Battery Charge Inst.
93-6673	2	32	1	Decal - Deck Engage (Only On: 71218)
93-6676	1	33	1	Decal-Instruction (Only On: 71218)
93-6678	1	31	1	Decal - Dump Valve
93-7276	17	1	1	Decal - Danger
93-7657	3	7	1	Cover - HOC (Only On: 71218)
93-7660-03	11	22	1	Pivot W.a. (HOC)
93-8450-03	6	33	1	Exhaust Shield Wa
93-8741	12	11:1	1	Reflector - Headlight
93-9354	17	4	1	Decal - Battery
93-9911	6	40	1	Arrestor-Spark
94-1238	1	33	1	Decal-Instruction (Only On: 71196)
94-1900	16	1	1	Housing - Lower
94-1902	14	4	1	Ring - Wire Retaining
94-1903	14	5	1	Ring - Retaining
94-1904	14	6	1	Bearing - Shaft Ball
94-1905	14	7	2	Bearing - Cradle
94-1907	14	9	1	Swashplate - Variable
94-1908	14	13	1	Block - Cylinder ASM
94-1909	14	14	1	Arm - Trunion
94-1910	14	17	1	Guide - Slot
94-1913	16	23	1	Block - Cylinder ASM
94-1914	16	25	1	Actuator - Bypass
94-1915	16	26	1	Centersection ASM
94-1916	16	27	1	Seal - Lip
94-1917	16	28	1	Ring - Retaining
94-1918	16	29	2	Washer
94-1919	16	41	4	Bolt Rotor/Starter Kit
94-1920	16	34	1	Oil Filter Element
94-1923	16	39	1	Bolt
94-1924	15	53	2	Seal
94-1925	14	56	1	Shaft - Input
94-1926	16	58	21	Bolt
94-1927	16	59	2	Pin
94-1930	16	83	1	Jackshaft/Pinion Gear ASM
94-1932	16	88	2	Capscrew
94-1933	16	89	2	Washer
94-1934	15	90	2	Sleeve - Bearing
94-1935	15	91	2	Seal - Wiper
94-1936	14	92	1	Spring - Block
94-1937	14	93	1	Washer - Block Thrust

\*Not Illustrated

# Toro Part Number Index (cont.)

Part No.	Page No.	Ref. No.	Qty.	Description
94-1943	15	52	2	Washer
94-1945	9	29	1	ASM-Breather Hose
94-1951	6	44	1	Latch-Hood
94-1952	6	24	1	Rod-Gas Tank
94-1980	2	39	2	Foam-Hood
94-1984	2	11	1	Pin-Latch
94-1990-03	4	31	1	Front Axle Wa
94-1998-03	1	25	1	Frame Rail-RH
94-1999-03	1	13	1	Frame Rail-LH
94-3526	6	29	1	Decal-Engine
94-3528	2	29	2	Decal-Tower
94-3530	1	35	1	Decal-Rear Body
94-4292	2	35	1	Cable - Deck Engage
94-4909	3	25:1	1	Trim - Seat
94-5362	12	33	1	Boot-Terminal Insulator
94-5565	2	2	1	Knob - Control
94-5565	11	24	1	Knob - Control
94-6543	14	3	1	Seal - Lip
94-6922	14	8	1	Bearing - Thrust
94-6923	16	19	1	Bearing - Thrust
94-6925	16	30	1	Bypass Plate
94-6926	16	57	3	Bolt
94-6955	16	18	1	Shaft - Motor
94-6956	16	85	1	Jackshaft
95-2727	9	11	1	Transaxle ASM - Hydro
95-3268	14	2	1	Housing ASM - Upper
95-3269	15	44	1	Differential ASM
218-461	12	24:2	1	Nut - HH
218-560	17	3	6	Cap - Battery
232-27	4	29:3	2	Valve Stem & Cap Assembly
232-27	8	2:3	2	Valve Stem & Cap Assembly
232-39	4	29:6	2	Tube - Inner 15x6-6
2412-98	6	5	2	Clamp-Hose
302-5	4	29:5	2	Fitting - Grease
302-26	4	8	1	Fitting-Grease
321-2	2	5	4	Screw-HH
321-4	5	7	2	Screw-HH
321-4	12	2	2	Screw-HH
321-9	5	21	2	Screw-HH
322-3	1	7	4	Screw-HH
322-3	1	9	4	Screw-HH
322-3	1	20	6	Screw-HH
322-3	1	23	2	Screw-HH
322-3	1	26	4	Screw-HH
322-3	1	27	2	Screw-HH
322-3	2	28	2	Screw-HH
322-3	3	10	4	Screw-HH
322-3	6	39	1	Screw-HH
322-3	7	14	2	Screw-HH
322-3	9	16	1	Screw-HH
322-3	11	19	4	Screw-HH
322-5	1	2	2	Screw-HH
322-5	6	10	2	Screw-HH
322-5	9	19	2	Screw-HH
322-9	6	6	3	Screw-HH
322-9	11	2	1	Screw-HH
322-12	9	32	4	Screw HH
323-11	7	34	1	Screw
323-13	4	2	2	Screw-HH
3218-2	11	25	1	Nut-Hex Jam
3230-1	4	6	4	Bolt-CARR
3230-3	4	4	1	Screw-CARR

\*Not Illustrated

# Toro Part Number Index (cont.)

Part No.	Page No.	Ref. No.	Qty.	Description
3230-3	7	22	1	Screw-CARR
3230-5	9	23	1	Bolt-Carriage
3230-7	9	24	1	Bolt-Carriage
3231-4	4	3	1	Bolt-CARR
3253-4	6	21	2	Washer-Lock
3253-4	6	38	1	Washer-Lock
3253-22	6	13	1	Washer-Lock
3254-5	12	24:1	1	Washer - Lock
3255-7	12	14	1	Washer-Lock
3255-8	6	36	1	Washer-Lock
3256-22	5	6	2	Washer-Flat
3256-22	9	25	1	Washer-Flat
3256-22	10	6	2	Washer-Flat
3256-23	1	3	2	Washer-Flat
3256-23	1	22	2	Washer-Flat
3256-23	2	27	2	Washer-Flat
3256-23	7	23	1	Washer-Flat
3256-23	9	14	3	Washer-Flat
3256-23	9	33	4	Washer-Flat
3256-23	10	2	4	Washer-Flat
3256-24	2	21	2	Washer-Flat
3256-24	4	24	2	Washer-Flat
3256-24	11	5	2	Washer-Flat
3256-25	4	13	1	Washer-Flt
3256-25	6	14	1	Washer-Flt
3256-26	7	18	1	Washer-Flt
3256-58	9	4	1	Washer-Flt
3269-26	3	13	2	Washer
3272-7	16	135	1	Pin - Cotter
3272-10	4	14	1	Pin-Cotter
3272-10	7	24	1	Pin-Cotter
3272-12	4	27	2	Pin-Cotter
3274-10	6	20	2	Screw-Sckt Hd
3274-59	14	101	1	Screw - Cap Socket Hd.
3274-59	9	11:5	1	Screw - HSH
3290-282	3	8	2	Pop Rivet
3290-299	12	32	1	Nut - Tinnerman
3290-307	2	19	2	Pin-Cotter
3290-307	9	1	1	Pin-Cotter
3290-307	10	1	4	Pin-Cotter
3290-307	11	4	1	Pin-Cotter
3290-307	11	7	2	Pin-Cotter
3290-354	12	16	2	Nut-Speed
3290-456	10	17	1	Washer-Lock
3290-479	3	6	4	Fastener-Panel
3290-479	3	15	12	Fastener-Panel
3290-496	2	8	2	Nut - Retained
3296-5	4	20	3	Nut-Lock
3296-12	14	102	1	Nut
3296-12	9	11:6	1	Nut - Lock
3296-20	16	140	1	Nut - Lock Insert
3296-29	1	6	2	Nut-Lock
3296-29	1	8	4	Nut-Lock
3296-29	1	12	4	Nut-Lock
3296-29	1	14	2	Nut-Lock
3296-29	1	15	6	Nut-Lock
3296-29	1	16	2	Nut-Lock
3296-29	1	29	4	Nut-Lock
3296-29	2	26	2	Nut-Lock
3296-29	3	12	6	Nut-Lock
3296-29	4	1	4	Nut-Lock
3296-29	4	16	1	Nut-Lock

\*Not Illustrated

# Toro Part Number Index (cont.)

Part No.	Page No.	Ref. No.	Qty.	Description
3296-29	6	16	2	Nut-Lock
3296-29	6	25	2	Nut-Lock
3296-29	7	19	1	Nut-Lock
3296-29	7	26	2	Nut-Lock
3296-29	7	27	1	Nut-Lock
3296-29	9	10	2	Nut-Lock
3296-29	9	13	5	Nut-Lock
3296-29	9	27	4	Nut-Lock
3296-29	11	14	4	Nut-Lock
3296-29	11	15	2	Nut-Lock
3296-29	11	20	1	Nut-Lock
3296-29	11	21	1	Nut-Lock
3296-39	4	15	1	Nut-Lock
3296-39	4	25	2	Nut-Lock
3296-42	2	4	4	Nut-Lock
3296-42	5	9	2	Nut-Lock
3296-42	5	12	2	Nut-Lock
3296-47	10	19	1	Nut-Lock
3296-59	7	28	2	Nut-Lock
3296-59	10	10	1	Nut-Lock
32103-22	12	28	2	Nut-Wing
32104-76	6	35	2	Screw-Self TAP
32121-111	5	2	1	Pin-Spiral
32128-43	2	22	2	Nut-Flange
32144-32	12	10	2	Screw-Plastic
32144-42	6	41	1	Screw-HH TAP
32144-112	6	43	2	Screw-Thd Form
32149-1	6	23	2	Nut-Keps
32149-2	12	7	3	Nut-Hex Lock
32151-48	4	33	2	Ring-Retaining
32151-48	5	18	1	Ring-Retaining
32151-48	8	5	2	Ring-Retaining
32151-81	5	3	1	Retaining Ring Push-On
32151-83	10	12	1	Ring-Retaining

\*Not Illustrated





