



21" RECYCLER[®] MOWER

Model No. 20479 – 7900001 & Up

Parts Catalog

ORDERING REPLACEMENT PARTS

To order replacement parts, please supply: the part number, the quantity, and the description of each part desired.

Contents

Description	Page	Description	Page
Housing Assembly	1	Engine Briggs & Stratton	
Engine Assembly	2	Model 12H802-0658-01	6-14
Rear Axle Assembly	3	Toro Part Number Index	15-17
Handle Assembly	4		
Gear Case Assembly	5		

Note:

Accessories

Description	Model / Parts No.	Description	Model / Parts No.
Side Discharge Chute	Model No. 59199	Mow & Feed	Model No. 52070
Dethatcher Kit	Model No. 59131	Bag Kit	Model No. 59296

Part Description Abbreviations

Part descriptions in this catalog may include the following abbreviations.

Abbreviation	Meaning	Abbreviation	Meaning
AR	as required	HWHTF	hex washer head thread forming
ASM	assembly	INC	incorporated
CARR	carriage	LH	left hand
DEG	degrees	PH	pan head
FH	flat head	PPH	Phillips pan head
GA	gauge	PTO	power take off
HF	hex flange	RH	right hand
HFW	hex flange washer	SFH	slotted fillister head
HH	hex head	SH	square head
HHF	hex head flange	SHWH	slotted hex washer head
HHST	hex head self tapping	SPH	slotted pan head
HJ	hex jam	STD	standard
HOC	height-of-cut	TAP	self tapping
HS	hex socket	TH	truss head
HSBH	hex socket button head	TTH	Torx truss head
HSFH	hex socket flat head	WH	wing head
HSH	hex socket head		
HWH	hex washer head		

Important Format Explanations

This catalog uses special formats to convey information in illustrations and parts lists. Specifically, one format is used in conjunction with service assemblies and another with quantities associated with reference numbers.

Service Assemblies

Parts within service assemblies have reference numbers in the form $X:Y$. X is the reference number of the service assembly and Y is a sequential number unique to each part within the service assembly.

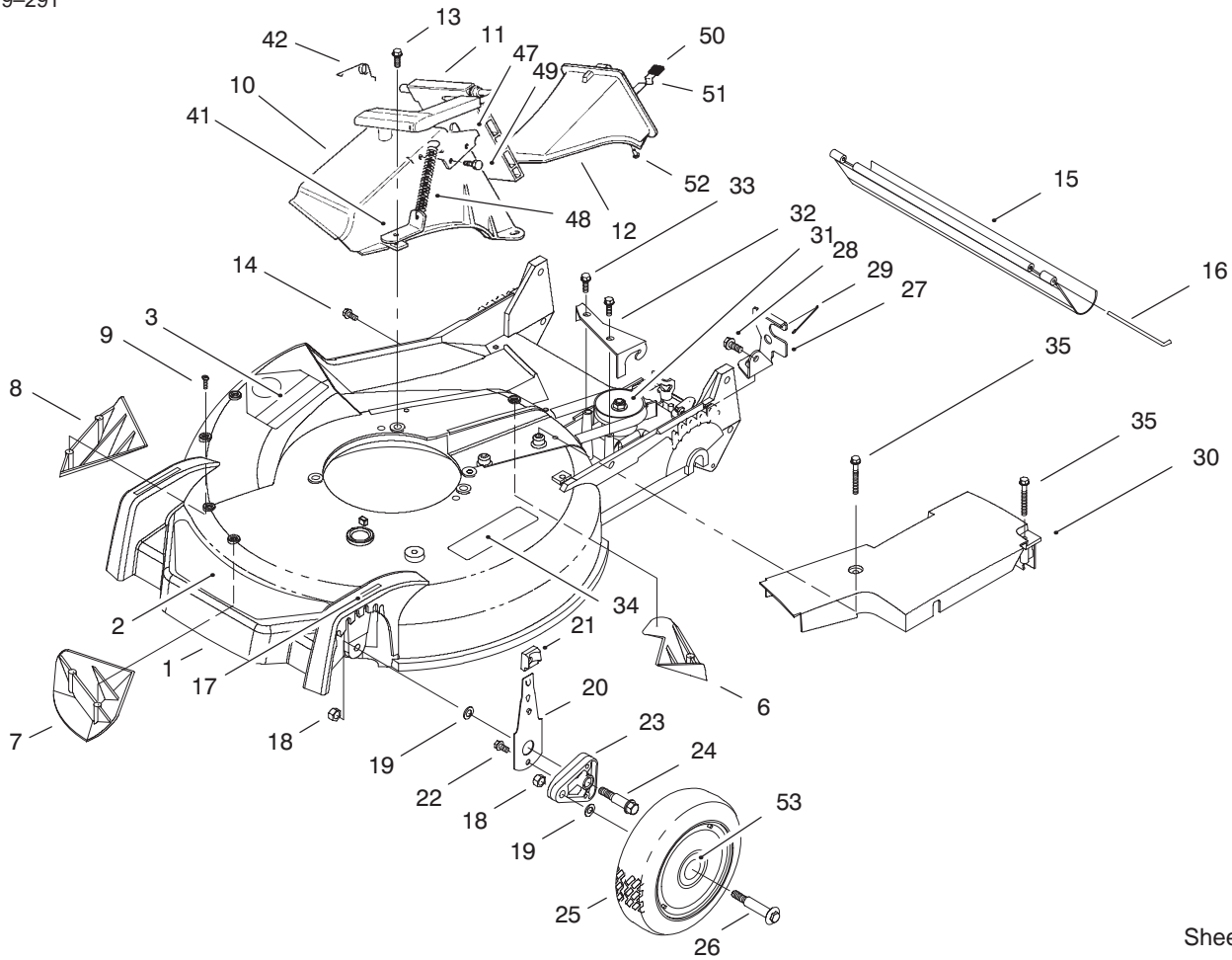
For example, a wheel assembly might be identified by reference number 6, the tire by 6:1, the valve by 6:2, and the wheel by 6:3. When you order the assembly identified by reference number 6, you receive all parts identified by reference numbers 6:1, 6:2, and 6:3. However, you may also order any part individually.

Reference numbers of this type appear in part lists and as callouts in illustrations.

Reference Numbers with Quantities

Illustrations may have a quantity in parentheses next to a reference number, in the form $X (Y)$. X is the reference number. Y in parentheses is the quantity of the part identified by the reference number.

For example, the illustration callout 4 (2) indicates that two parts are used in that instance.

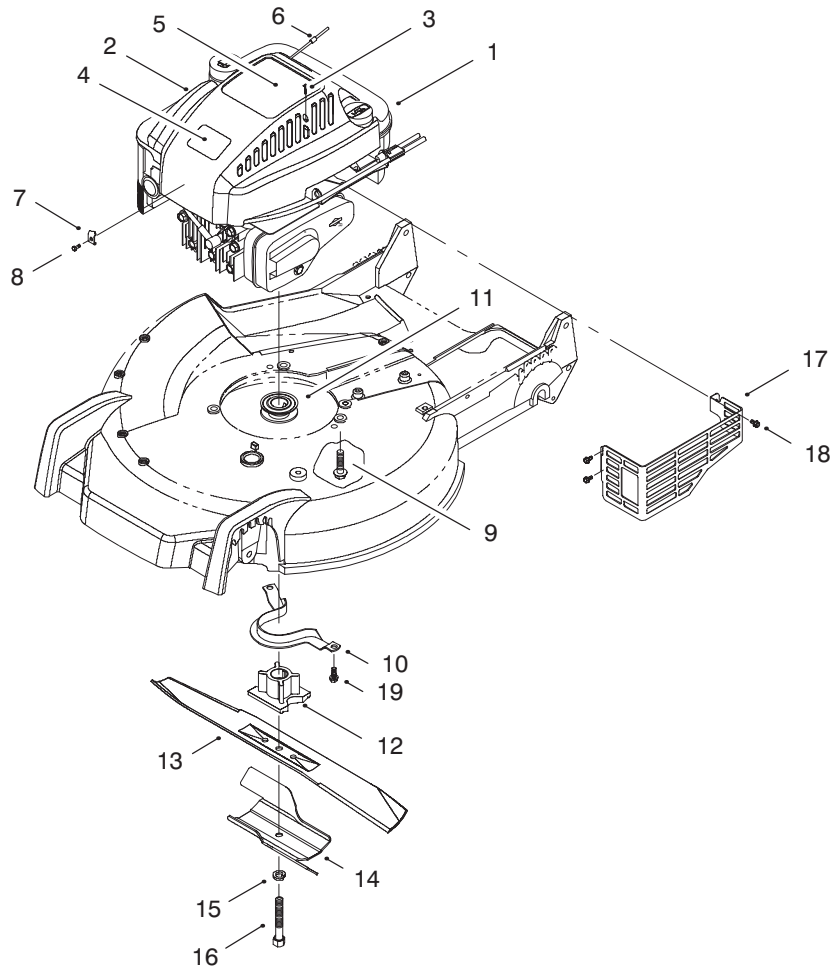


Sheet No.:2

Housing Assembly

Ref. No.	Part No.	Qty.	Description
1	16-9489	1	Housing-Rwd (Incl. Ref. #3, 6-9, 17, & 34)
2	93-3696	1	Decal-Deck
3	39-5770	1	Decal-Danger
6	92-1750	1	Plate-Kicker Rear
7	92-1720	1	Kicker-RH
8	92-1730	1	Kicker-LH
9	32144-111	6	Screw - PPH
10	82-9152	1	Chute-Discharge
11	93-7351	1	ASM-Door
12	77-0500	1	ASM-Plug
13	46-6811	3	Screw-HWH
14	46-6810	1	Screw HWH
15	44-0580	1	Shield-Trailing
16	33-3208	1	Rod-Shield
17	92-2279	4	Decal-HOC
18	3296-6	4	Nut-Lock
19	40-1940	4	Washer
20	66-0541	2	ASM-Spring Arm
21	25-7740	2	Knob-Arm
22	32144-85	2	Screw-HH
23	66-0580-03	2	Arm-Pivot
24	66-0560	2	Screw-Shoulder
25	14-9989	2	ASM-Wheel & Tire (Incl. Ref. #53)

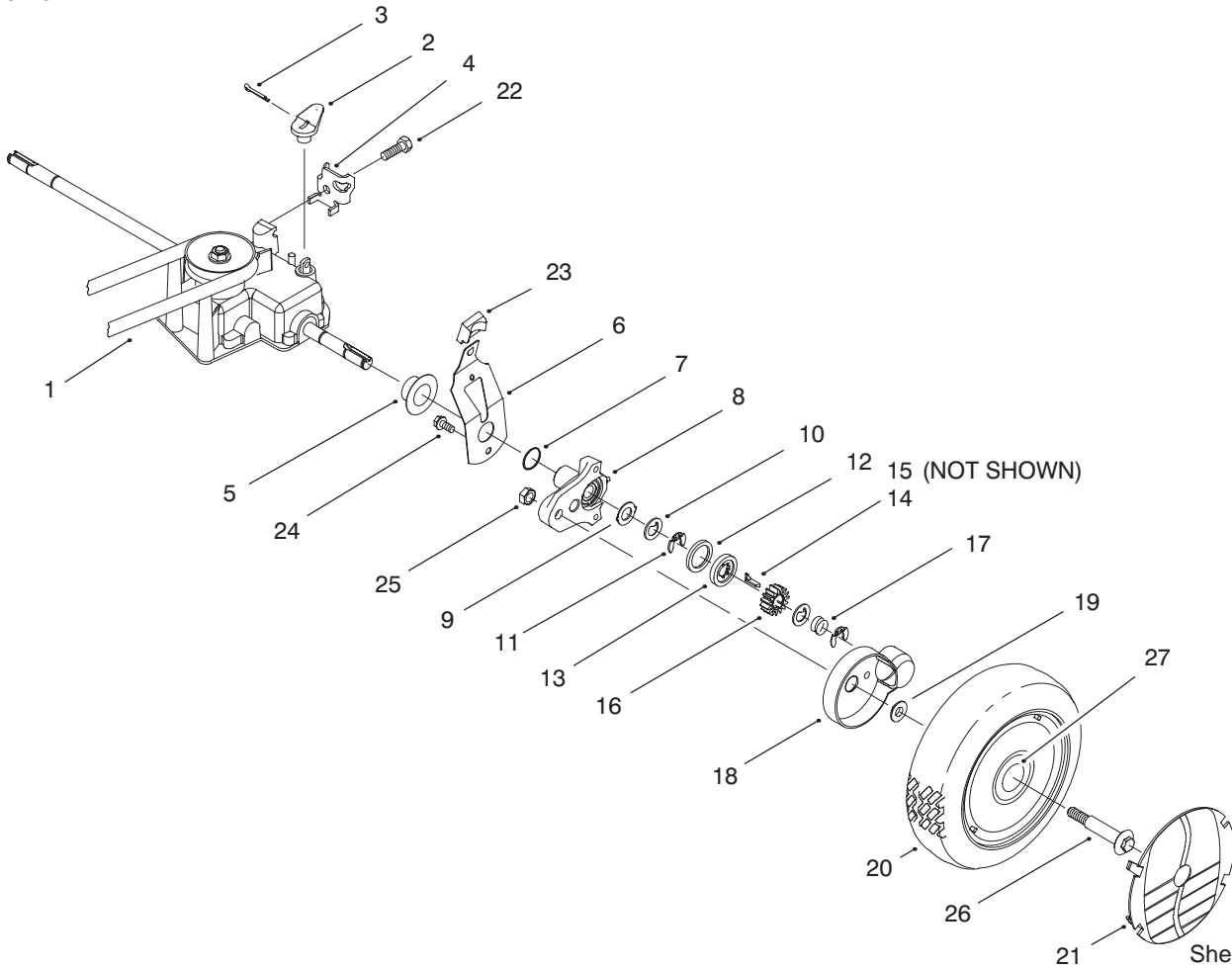
Ref. No.	Part No.	Qty.	Description
26	27-6232	2	Bolt-Wheel HH
27	82-5680	1	Bracket-Adjustment
28	32144-70	1	Screw-TAP
29	46-7030	1	Retainer-Cable
30	93-4188	1	Cover-Belt
31	62-6673	1	ASM-Gearcase
32	62-4320	1	Bracket-Guide
33	49-2040	2	Screw-HH
34	93-0248	1	Decal-Warning
35	37-7260	2	Screw-TAP
41	71-9350	1	Spring-Bracket
42	80-3770	1	Retainer-Door
47	93-3154	1	Plate-Latch
48	76-4660	1	Spring-Extension
49	46-8090	2	Screw-Tapping
50	76-4650	1	Grip-Latch
51	76-4640	1	Latch-Discharge Plug
52	3295-35	1	Rivet
53	27-6250	4	Bushing-Wheel



Sheet No.:3

Engine Assembly

Ref. No.	Part No.	Qty.	Description	Ref. No.	Part No.	Qty.	Description
1		1	Engine-Quantum 6.0 Hp				
2	93-0243	1	Shroud-Qt Wedge				
3	32144-121	2	Screw				
4	92-2289	1	Plate-Logo				
5	95-1671	1	Decal-Engine				
6	2210-316	1	Rope-Stop (P/W Eng)				
7	2210-249	1	Clamp-Casing (P/W Eng)				
8	93-8470	1	Screw-Clamp (P/W Eng)				
9	32144-102	3	Screw				
10	66-0570	1	Guide-Belt				
11	62-7550	1	Pulley-Driver				
12	93-4107	1	Retainer-Blade				
13	93-4106	1	Blade-Generation Iii				
14	94-1608	1	Stiffener-Blade				
15	3253-22	1	Washer-Lock				
16	26-0670	1	Bolt-Blade				
17	82-8550	1	Shield-Muffler				
18	32144-73	3	Screw-HWHTF				
19	32144-70	2	Screw-TAP				

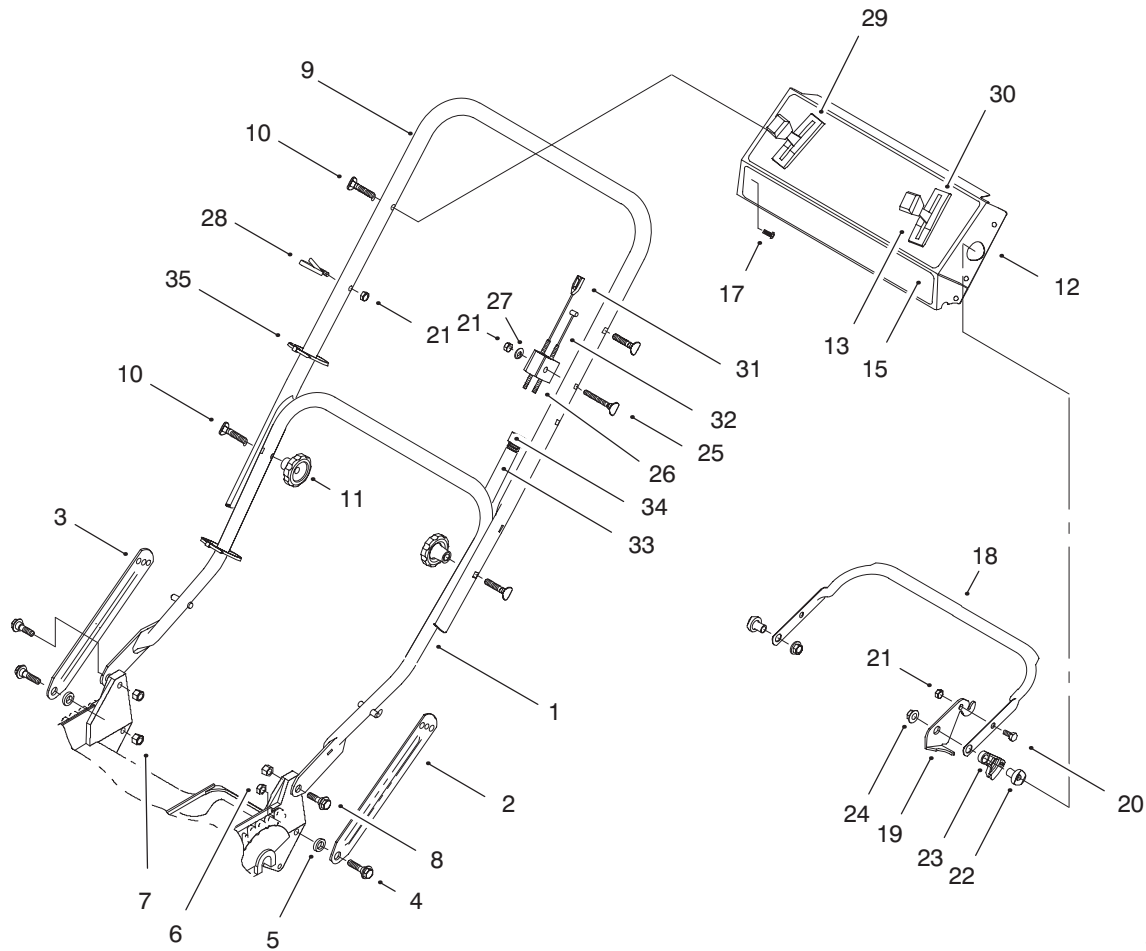


Sheet No.:4

Rear Axle Assembly

Ref. No.	Part No.	Qty.	Description
1	62-3900	1	V-Belt
2	60-8821	1	Lever-Shift
3	3272-10	1	Pin-Cotter
4	82-8780	1	Retainer-Cable
5	42-3520	2	Cap-End
6	63-8721	2	ASM-Arm
7	237-153	2	O-Ring
8	63-8701-03	2	ASM
9	65-4730	2	Washer-Thrust
10	65-4740	4	Washer-Thrust
11	65-2720	4	Ring-Retaining
12	65-4710	2	Ring-Friction
13	65-4760	2	Washer
14	66-6050	1	Key-Rocking
15	66-6040	1	Key-Rocking
16	65-4750	2	Gear-Pinion
17	65-4720	2	Spring-Compression
18	74-1660	2	Cover-Wheel
19	74-1671	2	Spacer-Cover
20	16-0029	2	ASM-Wheel Gear & Tire (Incl. Ref. #27)
21	91-2253	1	Cover-Wheel
22	32144-70	1	Screw-TAP
23	25-7740	2	Knob-Arm
24	32144-85	2	Screw-HH
25	3296-6	2	Nut-Lock

Ref. No.	Part No.	Qty.	Description
26	27-6232	2	Bolt-Wheel HH
27	27-6250	4	Bushing-Wheel

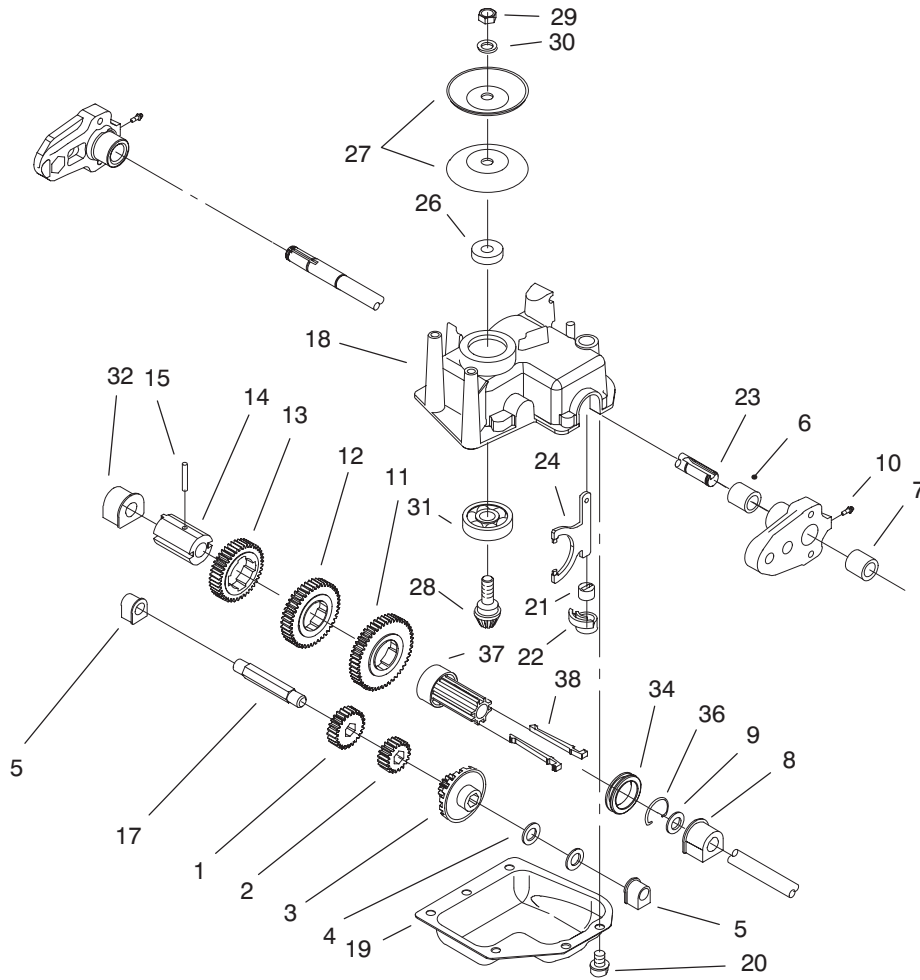


Sheet No.:5

Handle Assembly

Ref. No.	Part No.	Qty.	Description
1	43-1362	1	ASM-Handle
2	84-8361	1	Latch-Handle
3	84-8401	1	Latch-Handle
4	27-7210	2	Screw-Shoulder
5	3-3287	2	Spacer
6	3296-47	1	Nut-Lock
7	3296-72	3	Nut-Lock
8	27-7211	2	Screw-Shoulder
9	92-2278-05	1	Handle-Upper
10	92-2260	4	Screw-Handle
11	19-4050	2	Knob
12	16-9499	1	Wa-Panel (Incl. Ref. #13)
13	93-4191	1	Decal-Instructions
15	93-3697	1	Decal-Panel
17	92-9665	5	Screw-Phil
18	71-3080-05	1	Bar-Control
19	66-5351	1	Lever-Control
20	321-39	1	Screw-HH
21	3296-73	3	Nut-Lock
22	49-1630	2	Spacer-Support
23	46-5520	1	Lever-Traction
24	3296-74	2	Nut-Flange
25	92-2269	1	Screw-Handle
26	46-6980	1	Support-Cable
27	3256-1	1	Washer-Flat

Ref. No.	Part No.	Qty.	Description
28	86-9671	1	Guide-Rope
29	76-2712	1	Control-Speed
30	93-4186	1	Cable-Throttle
31	93-4187	1	Cable-Brake
32	46-5481	1	Cable-Traction
33	46-6440	1	Cover-Cables
34	2412-50	4	Clip-Tubing
35	3290-378	2	Tie-Cable

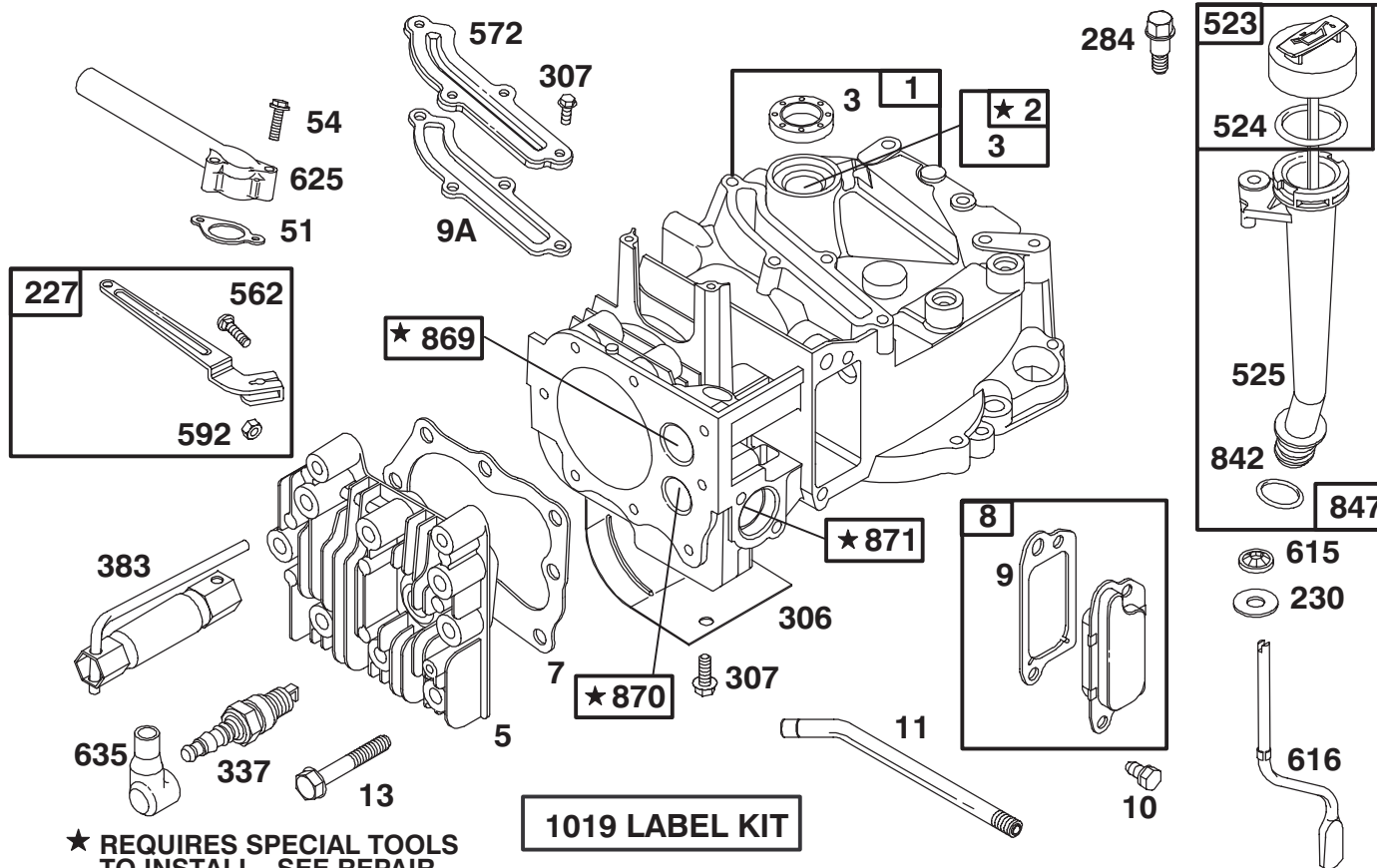


Sheet No.:1

Gear Case Assembly

Ref. No.	Part No.	Qty.	Description
1	55-3800	1	Pinion 25t 3rd Gear
2	55-3780	1	Pinion 20t 2nd Gear
3	55-3760	1	15 T Pinion
4	36-4791	2	Washer-Thrust
5	60-8750	2	Bushing
6	70-9760	2	Bushing
7	48-2060	2	Bearing-Needle
8	60-8770	1	Bushing-Output Shaft
9	36-4780	1	Washer-Thrust
10	302-56	2	Fitting-Grease
11	55-3770	1	Gear 49t 1st Gear
12	55-3790	1	Gear 44t 2nd Gear
13	55-3810	1	Gear 39t 3rd Gear
14	60-8790	1	Sleeve-Gear
15	32121-120	1	Pin-Coil
17	60-8800	1	Shaft-Intermediate
18	60-8710	1	Gearcase-Upper 3 Sp
19	60-8730	1	Cover-Gearcase
20	49-2040	6	Screw-HH
21	29-9570	1	Bushing-Yoke
22	60-8810	1	Retainer-Shift-Fork
23	65-4770	1	Shaft-Output
24	60-8870	1	Yoke-Shift
26	62-6660	1	Spacer-Pulley
27	60-8840	2	Pulley-Half
28	60-8890	1	Gear-Pinion

Ref. No.	Part No.	Qty.	Description
29	3296-5	1	Nut-Lock
30	3256-24	1	Washer-Flat
31	38-7820	1	Bearing-Ball
32	60-8850	1	Bushing-Output
34	76-0770	1	Collar-Shift
36	65-5250	1	Clip-Spring
37	76-0780	1	Sleeve-Shift Key
38	76-0760	2	Key-Shift



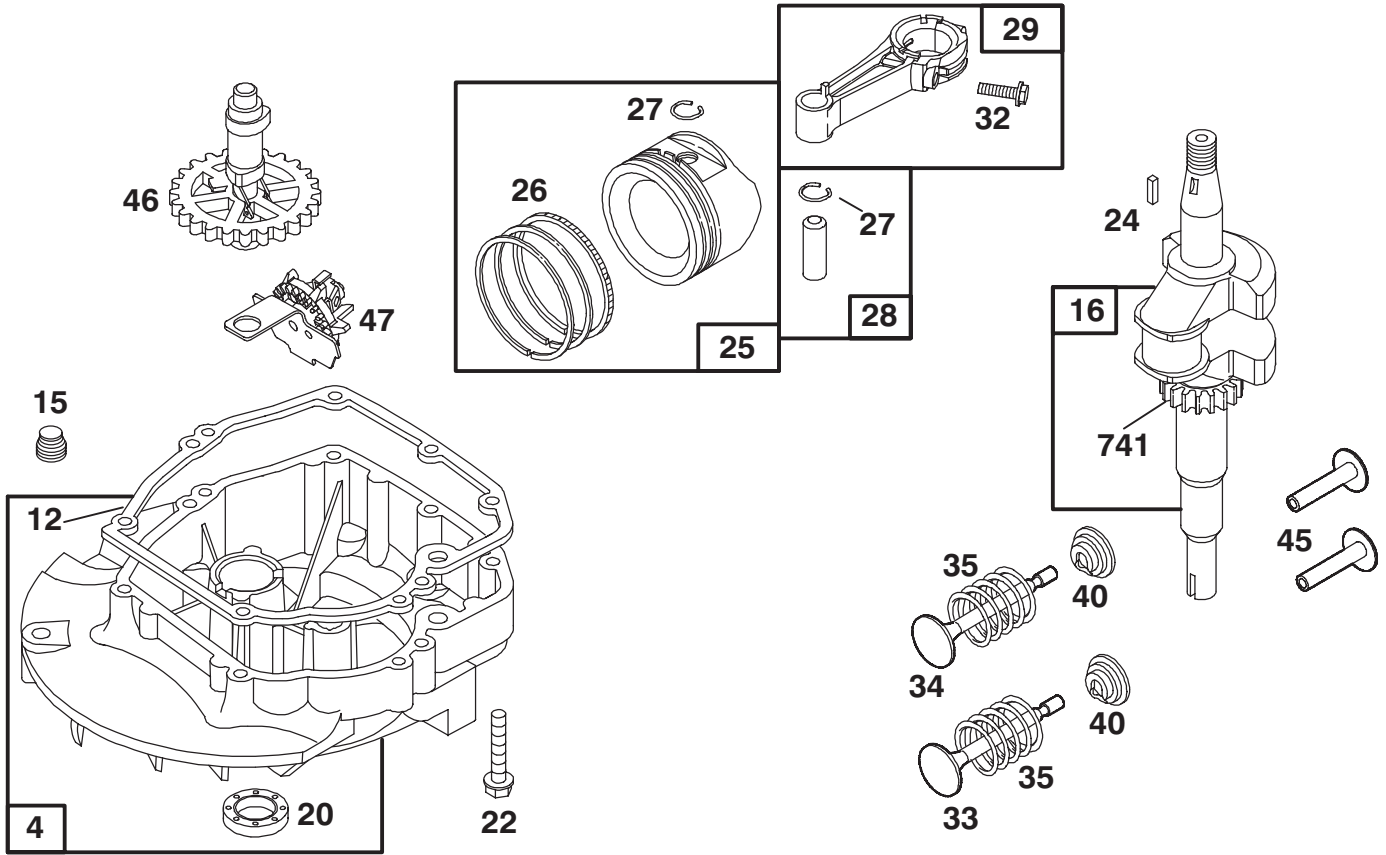
Assemblies include all parts shown in frames.

ENGINE BRIGGS & STRATTON MODEL 12H802-0658-01

Ref. No.	Part No.	Description	No. Used
1	493260	Cylinder Assembly	1
2	293708	Bushing – Cylinder	1
★3	299819	Seal – Oil	1
5	214368	Head – Cylinder	1
★7	272916	Gasket – Cylinder Head	1
8	495786	Breather – Valve Chamber	1
★9	272481	Gasket – Breather	1
★9A	272238	Gasket – Baffle Plate	1
10	94650	Screw – Breather Mtg.	1
11	231933	Tube – Breather	1
13	94876	Screw – Cylinder Head	1
★51	272199	Gasket – Intake Elbow	1
54	94526	Screw – Intake Elbow Mtg.	1
227	492349	Lever Assembly – Gov.	1
230	67072	Washer – Gov. Crank	1
284	94511	Screw – Hex. Head	1
306	224324	Shield – Cylinder	1
307	94515	Screw – Hex. Head	1
337	802592	Plug – Spark	1

Ref. No.	Part No.	Description	No. Used
383	89838	Wrench – Spark Plug	1
523	495264	Cap With Dipstick – Oil Filler	1
★524	280393	Seal – Filler Tube	1
525	495265	Tube – Oil Filler	1
562	94852	Bolt – Carriage	1
572	224328	Baffle – Cylinder	1
592	231082	Nut – Hex.	1
615	94474	Fastener	1
616	263175	Crank – Governor	1
625	497465	Tube – Fuel Intake	1
635	66538	Elbow – Spark Plug	1
★842	280966	Seal – O-Ring	1
847	495263	Oil Fill Tube Assy.	1
869	213512	Seat – Intake Valve	1
870	213513	Seat – Exhaust Valve	1
871	262001	Guide – Exhaust Valve	1
		Note: 63709 Guide – Intake Valve	1
1019	494256	Label Kit	1

★ Included in Gasket Set—Part No. 497316.



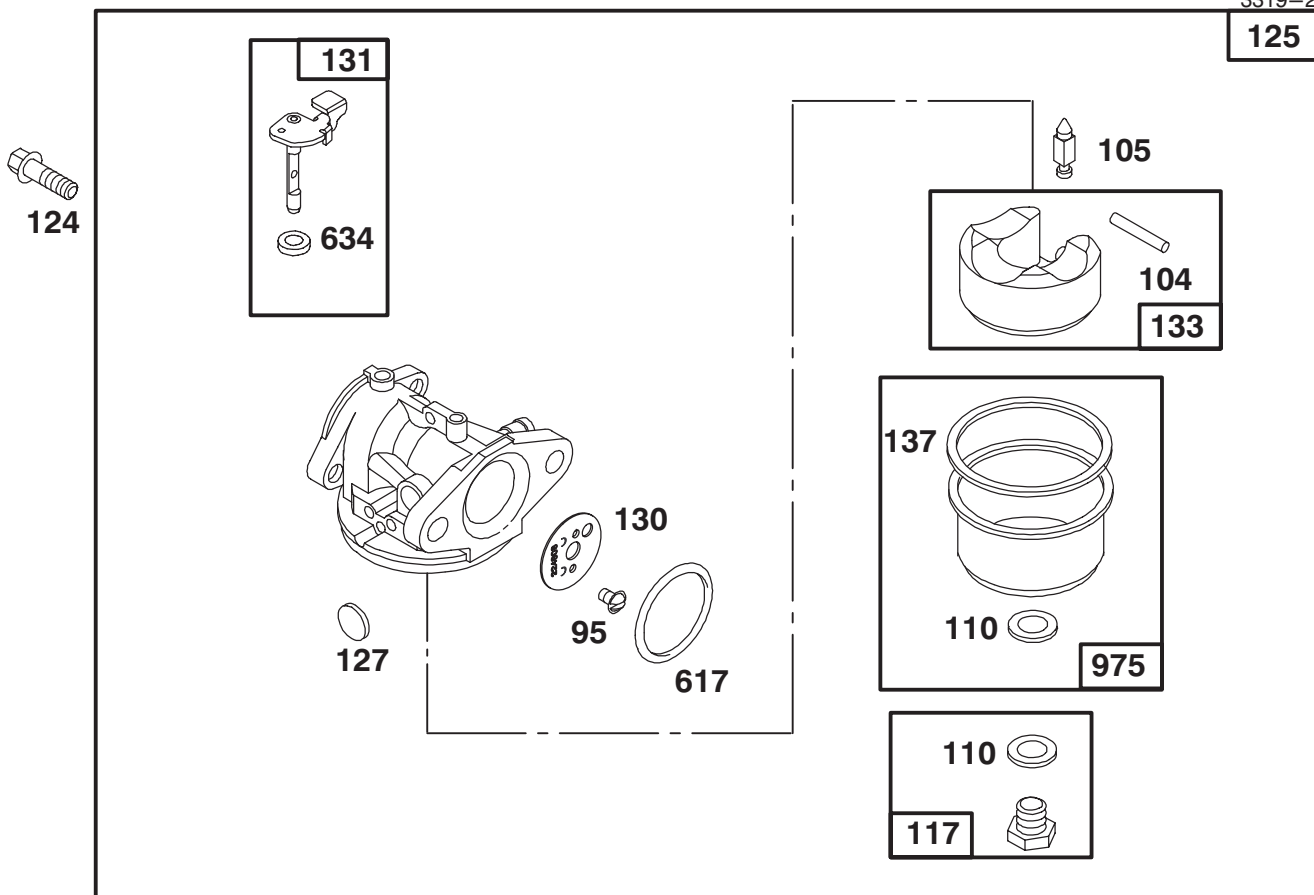
Assemblies include all parts shown in frames.

ENGINE BRIGGS & STRATTON MODEL 12H802-0658-01

Ref. No.	Part No.	Description	No. Used
4	493279	Sump – Engine	1
★12	272198	Gasket – Crankcase	1
15	94880	Plug – Oil Drain	1
16	494546	Crankshaft	
		Note: Order 94388 For Timing Gear Key.	1
★20	399781	Seal – Oil	1
22	94220	Screw – Hex. Head	1
		Note: 94612 Screw – Hex. Head (One (1) Used in Hole Nearest Breather)	1
24	222698	Key – Flywheel	1
25	493262	Piston Assy. (Standard)	1
	493385	Piston Assy. (.010" O.S.)	1
	493386	Piston Assy. (.020" O.S.)	1
	493387	Piston Assy. (.030" O.S.)	1
26	493261	Ring Set (Standard)	1
	493388	Ring Set (.010" O.S.)	1
	493389	Ring Set (.020" O.S.)	1
	493390	Ring Set (.030" O.S.)	1

Ref. No.	Part No.	Description	No. Used
27	26026	Lock – Piston Pin	1
28	298909	Pin – Piston (Standard)	1
	298908	Pin – Piston (.005" O.S.)	1
29	490566	Rod Assembly – Connecting	1
		Note: For Connecting Rod With .020" Undersize Crankpin Bearing – Order No. 490743.	1
32	94699	Screw – Connecting Rod	1
33	262651	Valve – Exhaust	1
34	262652	Valve – Intake	1
35	262224	Spring – Valve	1
40	93312	Retainer – Valve Spring	1
45	262204	Tappet – Valve	1
46	498275	Gear – Cam	1
47	493737	Slinger – Oil	1
741	262598	Gear – Timing	1

★ Included in Gasket Set—Part No. 497316.



Assemblies include all parts shown in frames.

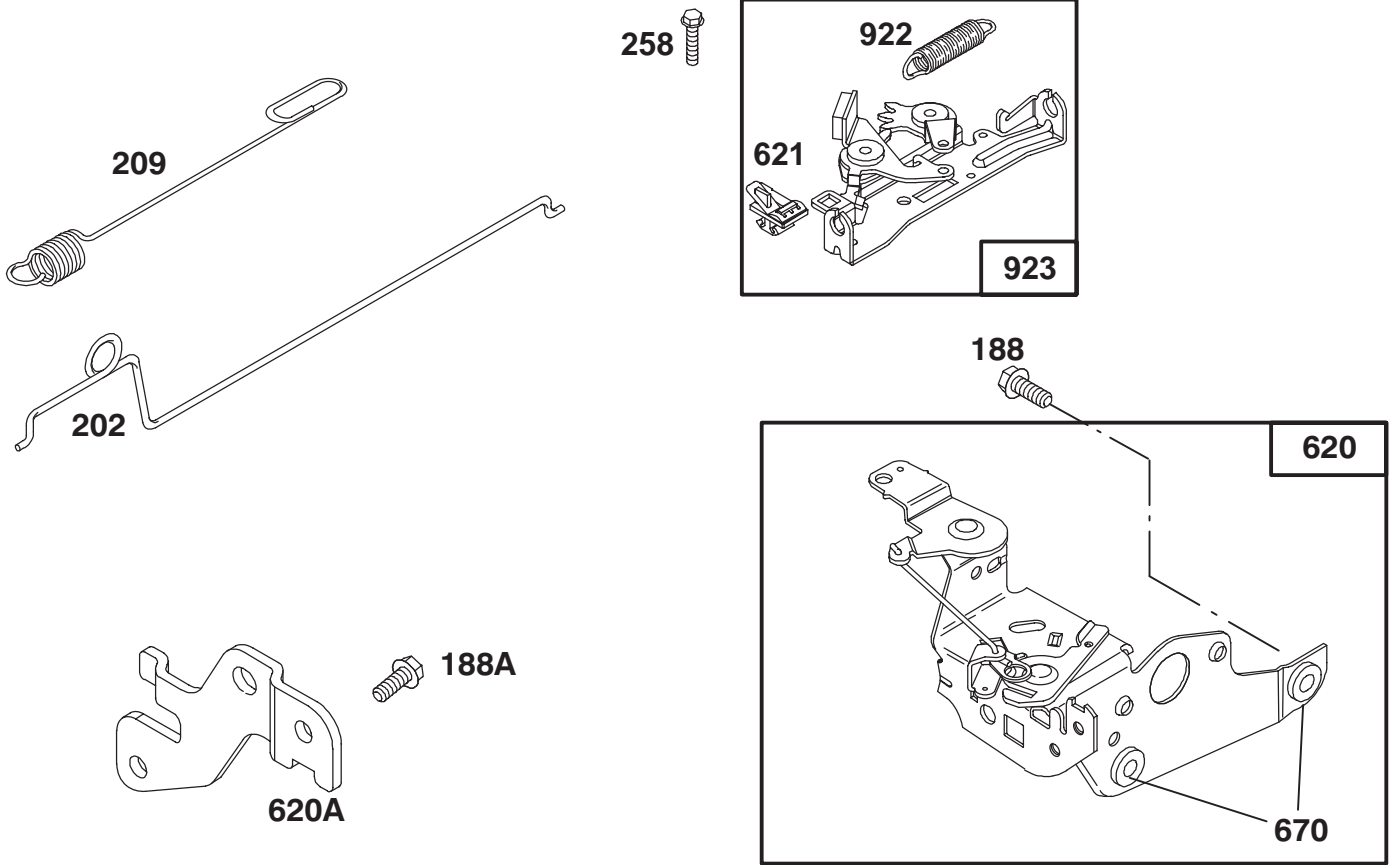
ENGINE BRIGGS & STRATTON MODEL 12H802-0658-01

Ref. No.	Part No.	Description	No. Used
95	94098	Screw – Throttle Valve Mtg.	1
●104	231371	Pin – Float Hinge	1
●105	398188	Valve – Inlet (Includes Seat)	1
◆◆110		Gasket–Sealing (Sold in Kit Only)	1
117	494870	Jet – Main (Std.) Note: 497315 Jet – Main (High Altitude)	1
124	94840	Screw – Carburetor Mtg.	1
125	498170	Carburetor	1

Ref. No.	Part No.	Description	No. Used
●127		Plug – Welch (Sold in Kit Only)	1
130	224908	Valve – Throttle	1
131	493267	Shaft – Throttle	1
133	398187	Float Assy. – Carburetor	1
◆◆137		Gasket – Bowl (Sold in Kit Only)	1
◆◆617	270344	Seal – Fuel Intake Tube	1
◆◆634		Washer–Shaft (Sold in Kit Only)	1
975	493640	Bowl Assy. – Carburetor	1

● Included in Carburetor Kit—Part No. 498260.

◆ Included in Carburetor Gasket Set—Part No. 498261.



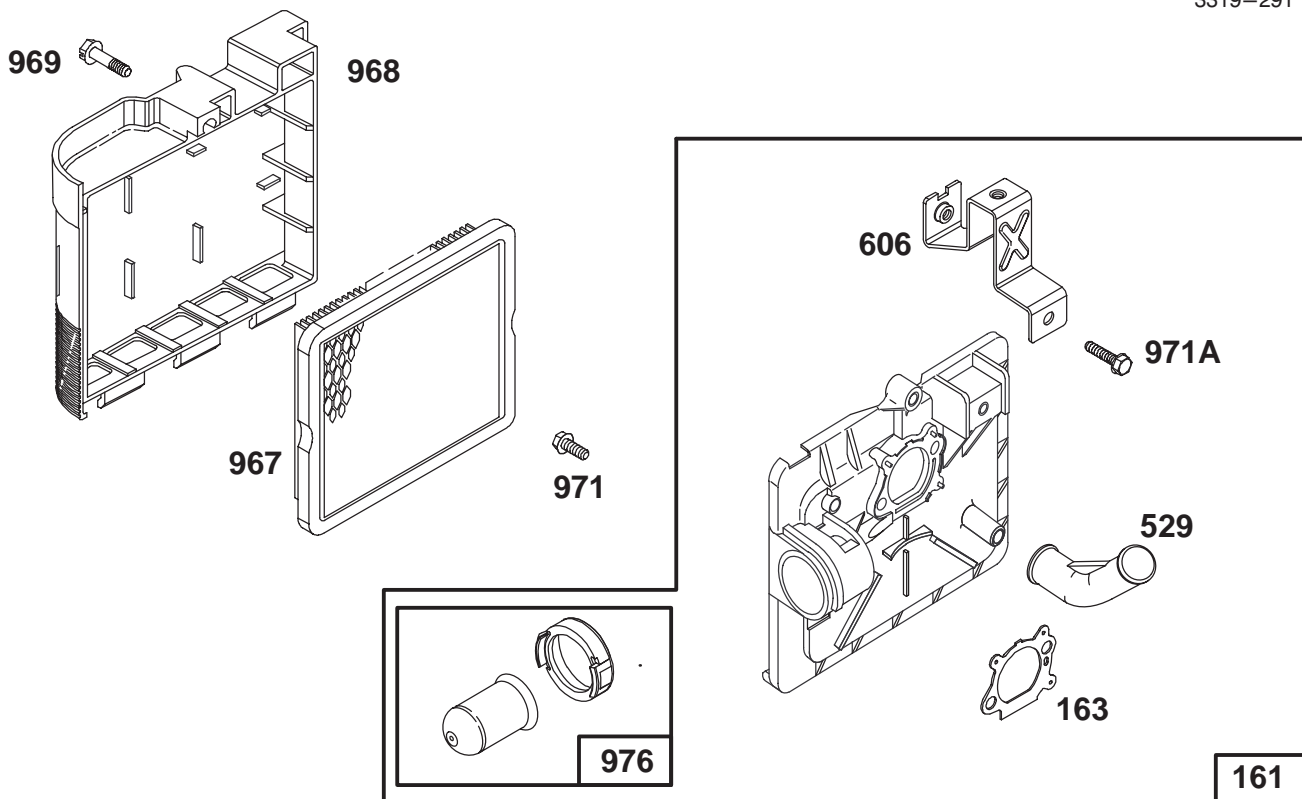
Assemblies include all parts shown in frames.

ENGINE BRIGGS & STRATTON MODEL 12H802-0658-01

Ref. No.	Part No.	Description	No. Used
188	94644	Screw – Hex. Head	1
188A	94874	Screw – Hex. Head	1
202	262579	Link – Governor	1
209	263046	Spring – Governor	1
258	94512	Screw – Hex. Head	1
620	497203	Bracket – Carburetor	1

Ref. No.	Part No.	Description	No. Used
620A	225152	Bracket – Control	1
621	396847	Switch – Stop	1
*670	493823	Spacer – Bracket	1
		Note: Includes Two.	
922	262640	Spring – Brake	1
923	493442	Brake Assembly	1

* Included in Gasket Set – Part No. 497316.



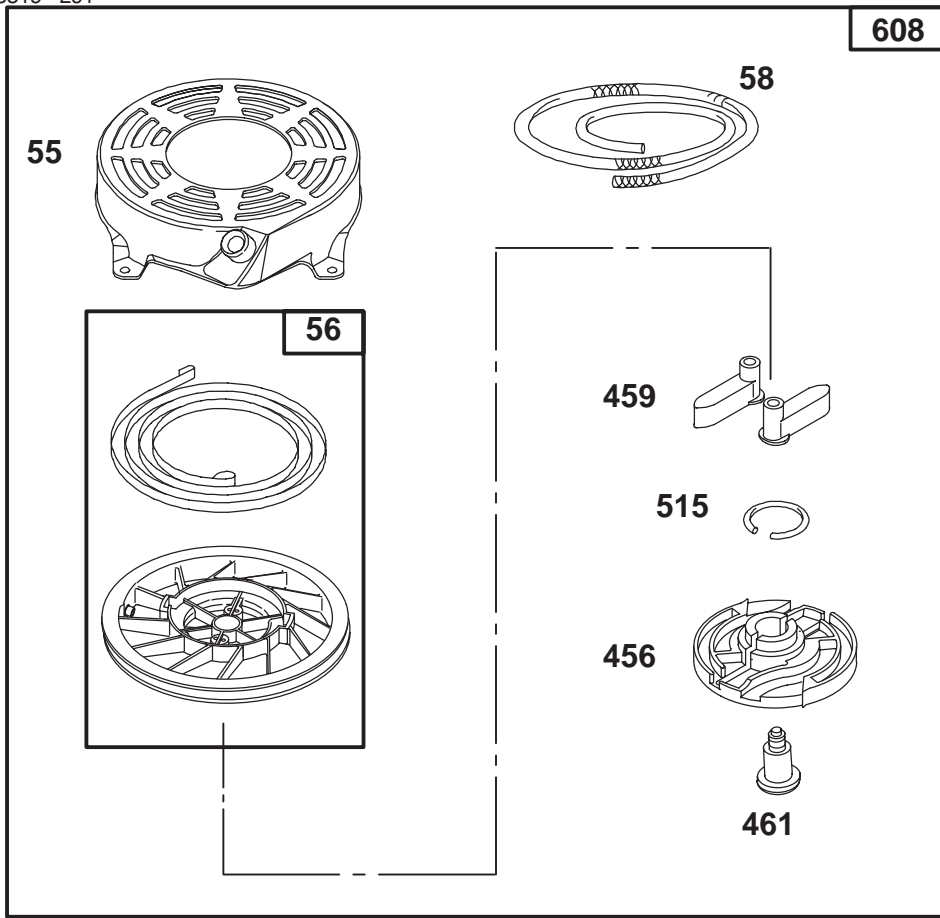
Assemblies include all parts shown in frames.

ENGINE BRIGGS & STRATTON MODEL 12H802-0658-01

Ref. No.	Part No.	Description	No. Used
161	496116	Base – Air Cleaner	1
★163	272653	Gasket – Air Cleaner	1
529	281299	Grommet – Breather	1
606	224815	Strap – Bracket	1
967	491588	Filter – Air	1

Ref. No.	Part No.	Description	No. Used
968	281340	Cover – Air Cleaner	1
969	94872	Screw – Cover Mtg.	1
971	94873	Screw – Air Cleaner	1
971A	94749	Screw – Hex. Head	1
976	496115	Primer–Carburetor	1

★ Included in Gasket Set—Part No. 497316.

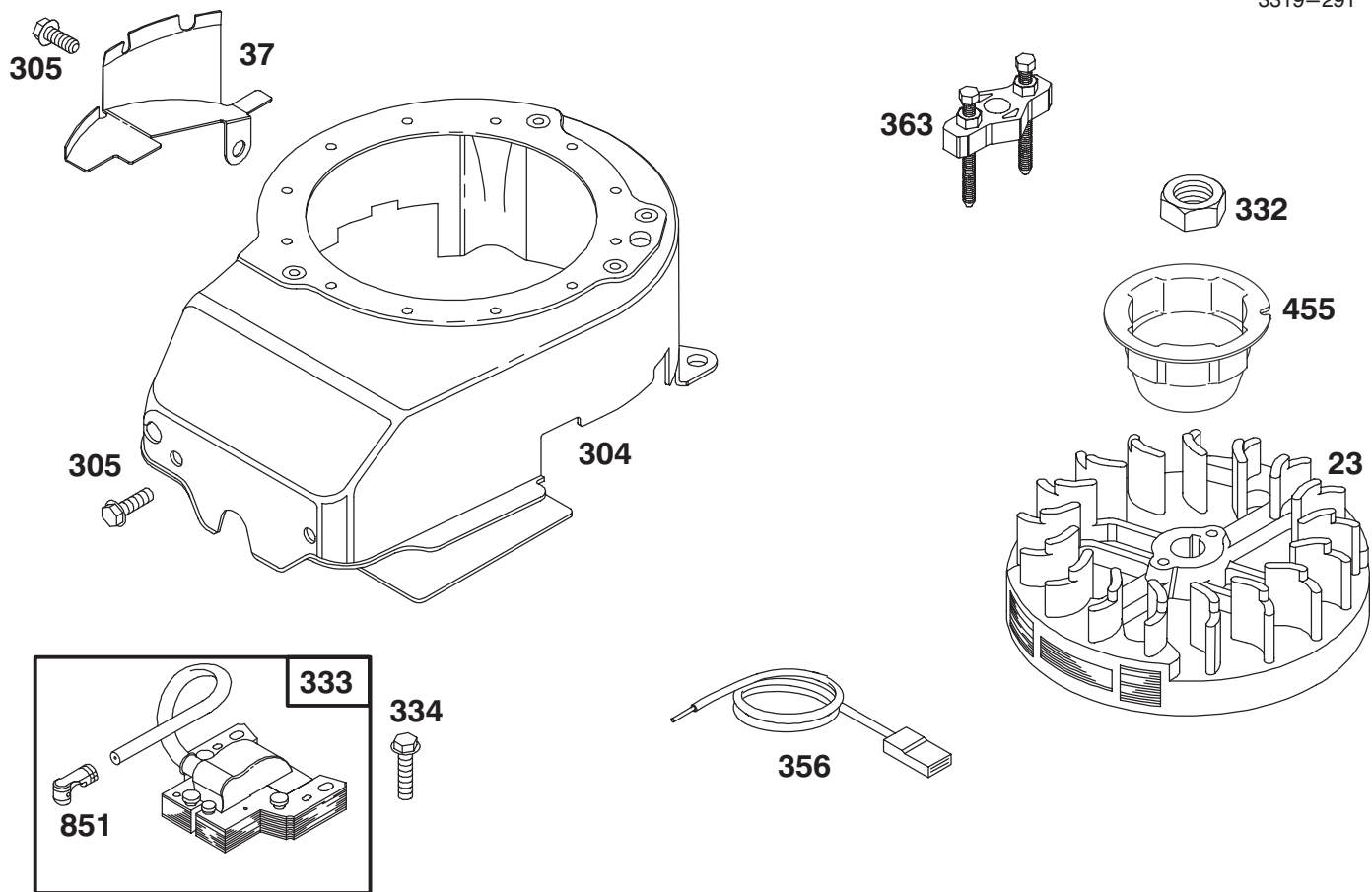


Assemblies include all parts shown in frames.

ENGINE BRIGGS & STRATTON MODEL 12H802-0658-01

Ref. No.	Part No.	Description	No. Used
55	497440	Housing – Rewind Starter	1
56	498144	Pulley – Rewind Starter	1
58	280399	Rope – Rewind Starter (Cut to Required Length)	1
59	224467	Insert – Starter Grip	1
60	493926	Handle – Rewind Starter	1
456	281503	Retainer – Rewind Starter	1
459	281505	Pawl – Starter	1

Ref. No.	Part No.	Description	No. Used
461	94943	Pin – Starter	1
515	263073	Spring – Torsion	1
608	497680	Starter Assy. – Rewind Includes: 94904 Screw – Hex. Head 94908 Nut – Hex.	1

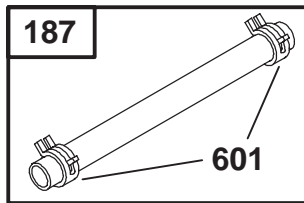
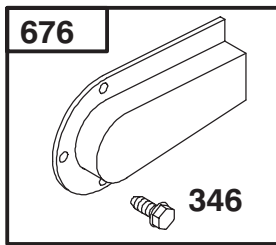
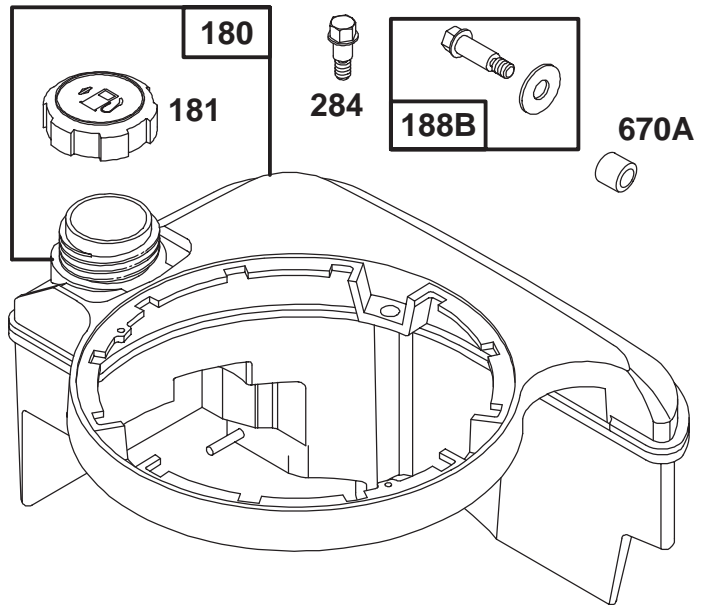
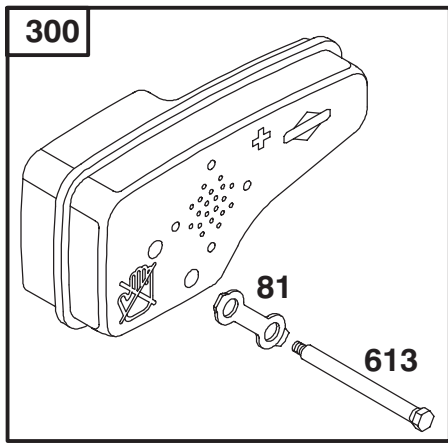


Assemblies include all parts shown in frames.

ENGINE BRIGGS & STRATTON MODEL 12H802-0658-01

Ref. No.	Part No.	Description	No. Used
23	492177	Flywheel	1
37	224511	Guard - Flywheel	1
304	493293	Housing - Blower	1
305	94744	Screw - Sem	1
332	94877	Nut - Flywheel	1
333	802574	Armature - Magneto	1

Ref. No.	Part No.	Description	No. Used
334	94731	Screw - Sem	1
356	398808	Wire - Ground	1
363	19069	Flywheel Puller	1
455	225121	Cup - Starter	1
851	493880	Terminal - Ignition Cable	1



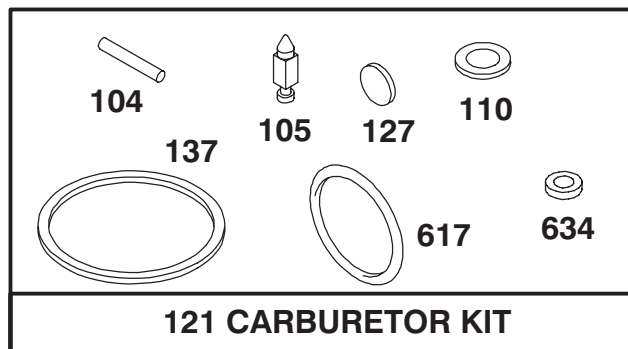
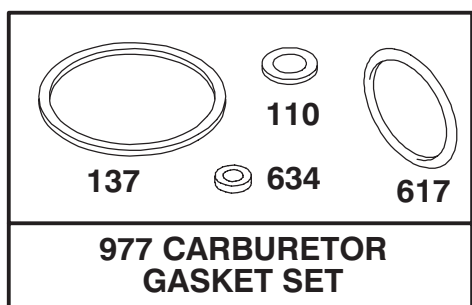
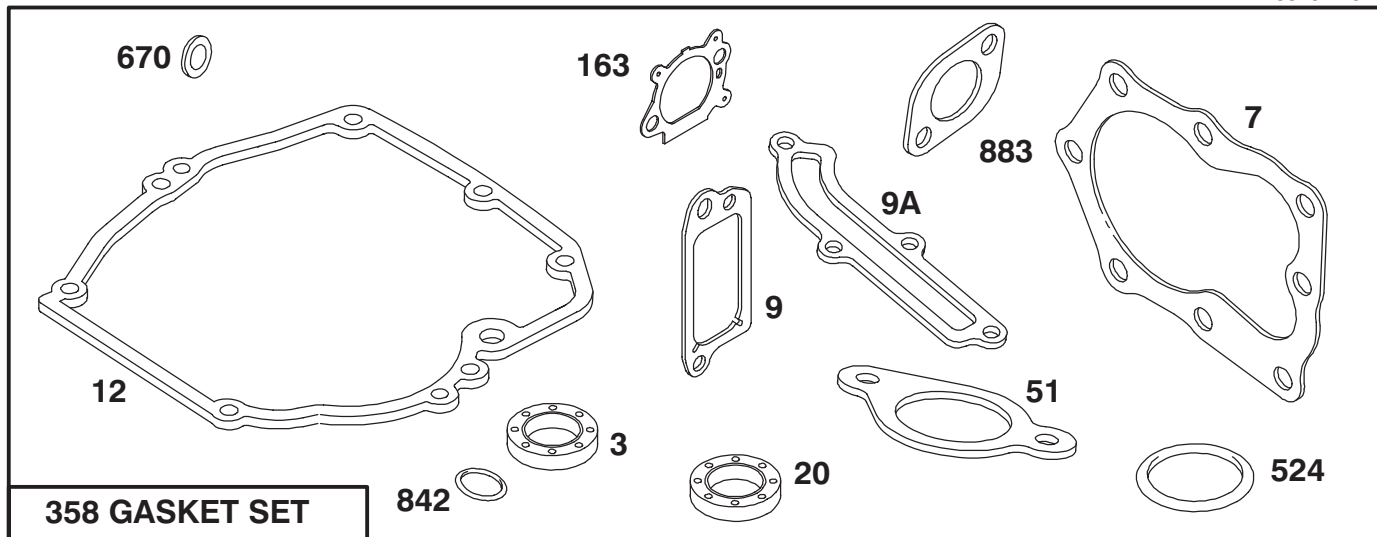
Assemblies include all parts shown in frames.

ENGINE BRIGGS & STRATTON MODEL 12H802-0658-01

Ref. No.	Part No.	Description	No. Used
81	223664	Lock – Muffler Screw	1
180	495224	Tank Assembly – Fuel	1
181	397974	Cap Assy. – Fuel	1
187	492790	Hose – Fuel	1
188B	398540	Screw – Tank Mounting	1
284	94511	Screw – Shoulder	1
300	496106	Muffler – Exhaust	1

Ref. No.	Part No.	Description	No. Used
346	94896	Screw – Hex. Head	1
601	93053	Clamp – Hose	1
613	94231	Screw – Shoulder	1
670A	280512	Spacer – Fuel Tank	1
676	493871	Deflector – Muffler	1
★883	272253	Gasket – Exhaust	1

★ Included in Gasket Set—Part No. 497316.



Assemblies include all parts shown in frames.

ENGINE BRIGGS & STRATTON MODEL 12H802-0658-01

Ref. No.	Part No.	Description	No. Used
★3	299819	Seal – Oil	1
★7	272916	Gasket – Cylinder Hd.	1
★9	272481	Gasket – Breather	1
★9A	272238	Gasket – Baffle Plate	1
★12	272198	Gasket – Crankcase	1
★20	399781	Seal – Oil	1
★51	272199	Gasket – Intake Elbow	1
●104	231371	Pin – Float Hinge	1
●105	398188	Valve – Inlet (Includes Seat)	1
◆110		Gasket – Sealing (Sold in Kit Only)	1
121	498260	Carburetor Kit	1
●127		Plug – Welch (Sold in Kit Only)	1

Ref. No.	Part No.	Description	No. Used
◆137		Gasket – Bowl (Sold in Kit Only)	1
★163	272653	Gasket – Air Cleaner	1
358	497316	Gasket Set	1
★524	280393	Seal – Filler Tube	1
◆617	270344	Seal – Fuel Intake Tube	1
◆634		Washer – Shaft (Sold in Kit Only)	1
★670	493823	Spacer – Bracket Note: Includes Two.	1
★842	280966	Seal – O-Ring	1
★883	272253	Gasket – Exhaust	1
977	498261	Gasket Set – Carburetor	1

● Included in Carburetor Kit—Part No. 498260.

◆ Included in Carburetor Gasket Set—Part No. 498261.

★ Included in Gasket Set—Part No. 497316.

Toro Part Number Index

Part No.	Page No.	Ref. No.	Qty.	Description
3-3287	4	5	2	Spacer
14-9989	1	25	2	ASM-Wheel & Tire
16-0029	3	20	2	ASM-Wheel Gear & Tire
16-9489	1	1	1	Housing-Rwd
16-9499	4	12	1	Wa-Panel
19-4050	4	11	2	Knob
25-7740	1	21	2	Knob-Arm
25-7740	3	23	2	Knob-Arm
26-0670	2	16	1	Bolt-Blade
27-6232	1	26	2	Bolt-Wheel HH
27-6232	3	26	2	Bolt-Wheel HH
27-6250	1	53	4	Bushing-Wheel
27-6250	3	27	4	Bushing-Wheel
27-7210	4	4	2	Screw-Shoulder
27-7211	4	8	2	Screw-Shoulder
29-9570	5	21	1	Bushing-Yoke
33-3208	1	16	1	Rod-Shield
36-4780	5	9	1	Washer-Thrust
36-4791	5	4	2	Washer-Thrust
37-7260	1	35	2	Screw-TAP
38-7820	5	31	1	Bearing-Ball
39-5770	1	3	1	Decal-Danger
40-1940	1	19	4	Washer
42-3520	3	5	2	Cap-End
43-1362	4	1	1	ASM-Handle
44-0580	1	15	1	Shield-Trailing
46-5481	4	32	1	Cable-Traction
46-5520	4	23	1	Lever-Traction
46-6440	4	33	1	Cover-Cables
46-6810	1	14	1	Screw HWH
46-6811	1	13	3	Screw-HWH
46-6980	4	26	1	Support-Cable
46-7030	1	29	1	Retainer-Cable
46-8090	1	49	2	Screw-Tapping
48-2060	5	7	2	Bearing-Needle
49-1630	4	22	2	Spacer-Support
49-2040	1	33	2	Screw-HH
49-2040	5	20	6	Screw-HH
55-3760	5	3	1	15 T Pinion
55-3770	5	11	1	Gear 49t 1st Gear
55-3780	5	2	1	Pinion 20t 2nd Gear
55-3790	5	12	1	Gear 44t 2nd Gear
55-3800	5	1	1	Pinion 25t 3rd Gear
55-3810	5	13	1	Gear 39t 3rd Gear
60-8710	5	18	1	Gearcase-Upper 3 Sp
60-8730	5	19	1	Cover-Gearcase
60-8750	5	5	2	Bushing
60-8770	5	8	1	Bushing-Output Shaft
60-8790	5	14	1	Sleeve-Gear
60-8800	5	17	1	Shaft-Intermediate
60-8810	5	22	1	Retainer-Shift-Fork
60-8821	3	2	1	Lever-Shift
60-8840	5	27	2	Pulley-Half
60-8850	5	32	1	Bushing-Output
60-8870	5	24	1	Yoke-Shift
60-8890	5	28	1	Gear-Pinion
62-3900	3	1	1	V-Belt
62-4320	1	32	1	Bracket-Guide
62-6660	5	26	1	Spacer-Pulley
62-6673	1	31	1	ASM-Gearcase
62-7550	2	11	1	Pulley-Driver
63-8701-03	3	8	2	ASM

*Not Illustrated

Toro Part Number Index (cont.)

Part No.	Page No.	Ref. No.	Qty.	Description
63-8721	3	6	2	ASM-Arm
65-2720	3	11	4	Ring-Retaining
65-4710	3	12	2	Ring-Friction
65-4720	3	17	2	Spring-Compression
65-4730	3	9	2	Washer-Thrust
65-4740	3	10	4	Washer-Thrust
65-4750	3	16	2	Gear-Pinion
65-4760	3	13	2	Washer
65-4770	5	23	1	Shaft-Output
65-5250	5	36	1	Clip-Spring
66-0541	1	20	2	ASM-Spring Arm
66-0560	1	24	2	Screw-Shoulder
66-0570	2	10	1	Guide-Belt
66-0580-03	1	23	2	Arm-Pivot
66-5351	4	19	1	Lever-Control
66-6040	3	15	1	Key-Rocking
66-6050	3	14	1	Key-Rocking
70-9760	5	6	2	Bushing
71-3080-05	4	18	1	Bar-Control
71-9350	1	41	1	Spring-Bracket
74-1660	3	18	2	Cover-Wheel
74-1671	3	19	2	Spacer-Cover
76-0760	5	38	2	Key-Shift
76-0770	5	34	1	Collar-Shift
76-0780	5	37	1	Sleeve-Shift Key
76-2712	4	29	1	Control-Speed
76-4640	1	51	1	Latch-Discharge Plug
76-4650	1	50	1	Grip-Latch
76-4660	1	48	1	Spring-Extension
77-0500	1	12	1	ASM-Plug
80-3770	1	42	1	Retainer-Door
82-5680	1	27	1	Bracket-Adjustment
82-8550	2	17	1	Shield-Muffler
82-8780	3	4	1	Retainer-Cable
82-9152	1	10	1	Chute-Discharge
84-8361	4	2	1	Latch-Handle
84-8401	4	3	1	Latch-Handle
86-9671	4	28	1	Guide-Rope
91-2253	3	21	1	Cover-Wheel
92-1720	1	7	1	Kicker-RH
92-1730	1	8	1	Kicker-LH
92-1750	1	6	1	Plate-Kicker Rear
92-2260	4	10	4	Screw-Handle
92-2269	4	25	1	Screw-Handle
92-2278-05	4	9	1	Handle-Upper
92-2279	1	17	4	Decal-HOC
92-2289	2	4	1	Plate-Logo
92-9665	4	17	5	Screw-Phil
93-0243	2	2	1	Shroud-Qt Wedge
93-0248	1	34	1	Decal-Warning
93-3154	1	47	1	Plate-Latch
93-3696	1	2	1	Decal-Deck
93-3697	4	15	1	Decal-Panel
93-4106	2	13	1	Blade-Generation Iii
93-4107	2	12	1	Retainer-Blade
93-4186	4	30	1	Cable-Throttle
93-4187	4	31	1	Cable-Brake
93-4188	1	30	1	Cover-Belt
93-4191	4	13	1	Decal-Instructions
93-7351	1	11	1	ASM-Door
93-8470	2	8	1	Screw-Clamp (P/W Eng)
94-1608	2	14	1	Stiffener-Blade

*Not Illustrated

Toro Part Number Index (cont.)

Part No.	Page No.	Ref. No.	Qty.	Description
95-1671	2	5	1	Decal-Engine
2210-249	2	7	1	Clamp-Casing (P/W Eng)
2210-316	2	6	1	Rope-Stop (P/W Eng)
237-153	3	7	2	O-Ring
2412-50	4	34	4	Clip-Tubing
302-56	5	10	2	Fitting-Grease
321-39	4	20	1	Screw-HH
3253-22	2	15	1	Washer-Lock
3256-1	4	27	1	Washer-Flat
3256-24	5	30	1	Washer-Flat
3272-10	3	3	1	Pin-Cotter
3290-378	4	35	2	Tie-Cable
3295-35	1	52	1	Rivet
3296-5	5	29	1	Nut-Lock
3296-6	1	18	4	Nut-Lock
3296-6	3	25	2	Nut-Lock
3296-47	4	6	1	Nut-Lock
3296-72	4	7	3	Nut-Lock
3296-73	4	21	3	Nut-Lock
3296-74	4	24	2	Nut-Flange
32121-120	5	15	1	Pin-Coil
32144-70	1	28	1	Screw-TAP
32144-70	2	19	2	Screw-TAP
32144-70	3	22	1	Screw-TAP
32144-73	2	18	3	Screw-HWHTF
32144-85	1	22	2	Screw-HH
32144-85	3	24	2	Screw-HH
32144-102	2	9	3	Screw
32144-111	1	9	6	Screw - PPH
32144-121	2	3	2	Screw