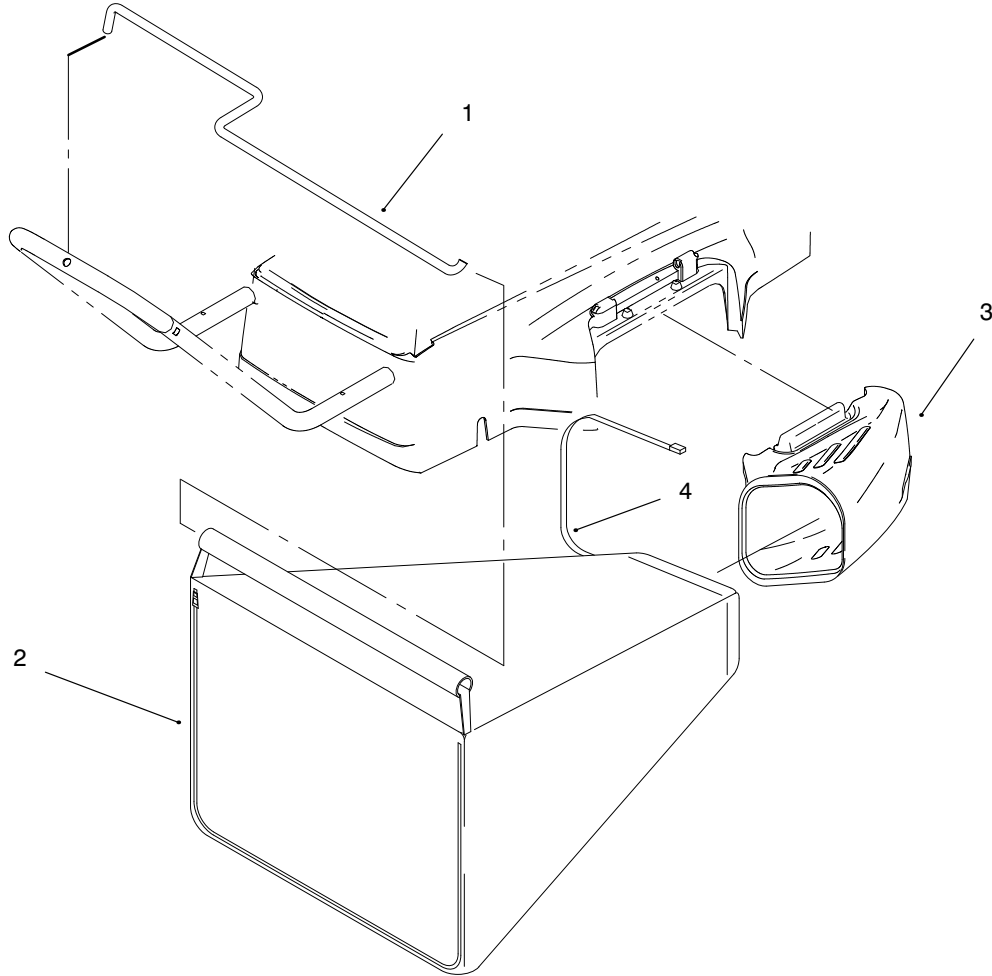


MODEL NO. 59298-7900001 & Up	PARTS CATALOG
ELECTRIC MOWER BAGGING KIT	



C-2675

BAG KIT ASSEMBLY

Ref. No.	Part No.	Description	No. Used
1	93-3993	Rod - Bag	1
2	95-5045	Bag Assembly	1

Ref. No.	Part No.	Description	No. Used
3	95-5046	Chute - Bag	1
4	94-3890	Wire Tie	1