



Count on it.

Parts Catalog

Groundsmaster® 7210

**Traction Unit with 72in Side Discharge
Mower**

Model No. 30363TC—Serial No. 312000301 and Up



Ordering Replacement Parts

To order replacement parts, please supply the part number, the quantity, and the description of each part desired.

Understanding Reference Numbers

Each identified part in an illustration has a reference number. The reference number for a part also appears in the parts list, along with other information about the part.

This catalog uses two special reference number formats, one to indicate parts in a service assembly and another to indicate the quantity of a given part in an illustration.

Service Assembly Reference Numbers

Parts in service assemblies have reference numbers in the form a:b. The a represents the reference number of the entire service assembly and the b represents a sequential number unique to each part within the service assembly.

For example, a wheel assembly might be identified by reference number 6, the tire by 6:1, the valve by 6:2, and the wheel by 6:3. When you order the assembly identified by reference number 6, you receive all parts identified by reference numbers 6:1, 6:2, and 6:3. However, you may also order any part individually. Reference numbers of this type appear in illustration and in parts lists.

Reference Numbers Indicating Quantity

In an illustration, if a reference number indicates more than one part, the reference number has the form nX y. The n represents the quantity of the part, the X is the multiplication symbol, and the y represents the reference number.

For example, in an illustration, the reference number 2X 37 means that two of the parts identified by reference number 37 are indicated.

List of Abbreviations

AR: as required

ASM: assembly

BBC: blade brake control

BHTF: button head thread forming

CARR: carriage

CCW: counter clockwise

CW: clockwise

DEG: degrees

DPA: Dual Point Adjustment

ECM: electronic control module

EXT: external

FH: flat head

GA: gauge

HD: heavy-duty

HF: hex flange

HH: hex head

HHF: hex head flange

HHFTF: hex head flange thread forming

HJ: hex jam

HLH: hex lag head

HOC: height-of-cut

HSBH: hex socket button head

HSFH: hex socket flat head

HSH: hex socket head

HWH: hex washer head

HWTF: hex washer head thread forming

HYD: hydraulic

LH: left hand

LPG: Liquid Propane Gas

NI: nylon insert

NPTF: national pipe thread fine

PFH: phillips flat head

PPH: phillips pan head

PPHTF: phillips pan head thread forming

PRH: phillips round head

PTH: phillips truss head

PTO: power-take-off

RH: right hand

ROPS: roll-over protection system

RRB: rear roller brush

SFH: slotted fillister head

SHH: slotted hex head

SHWH: slotted hex washer head

SPH: slotted pan head

SQH: square head

SRH: slotted round head

STD: standard

TAP: self tapping

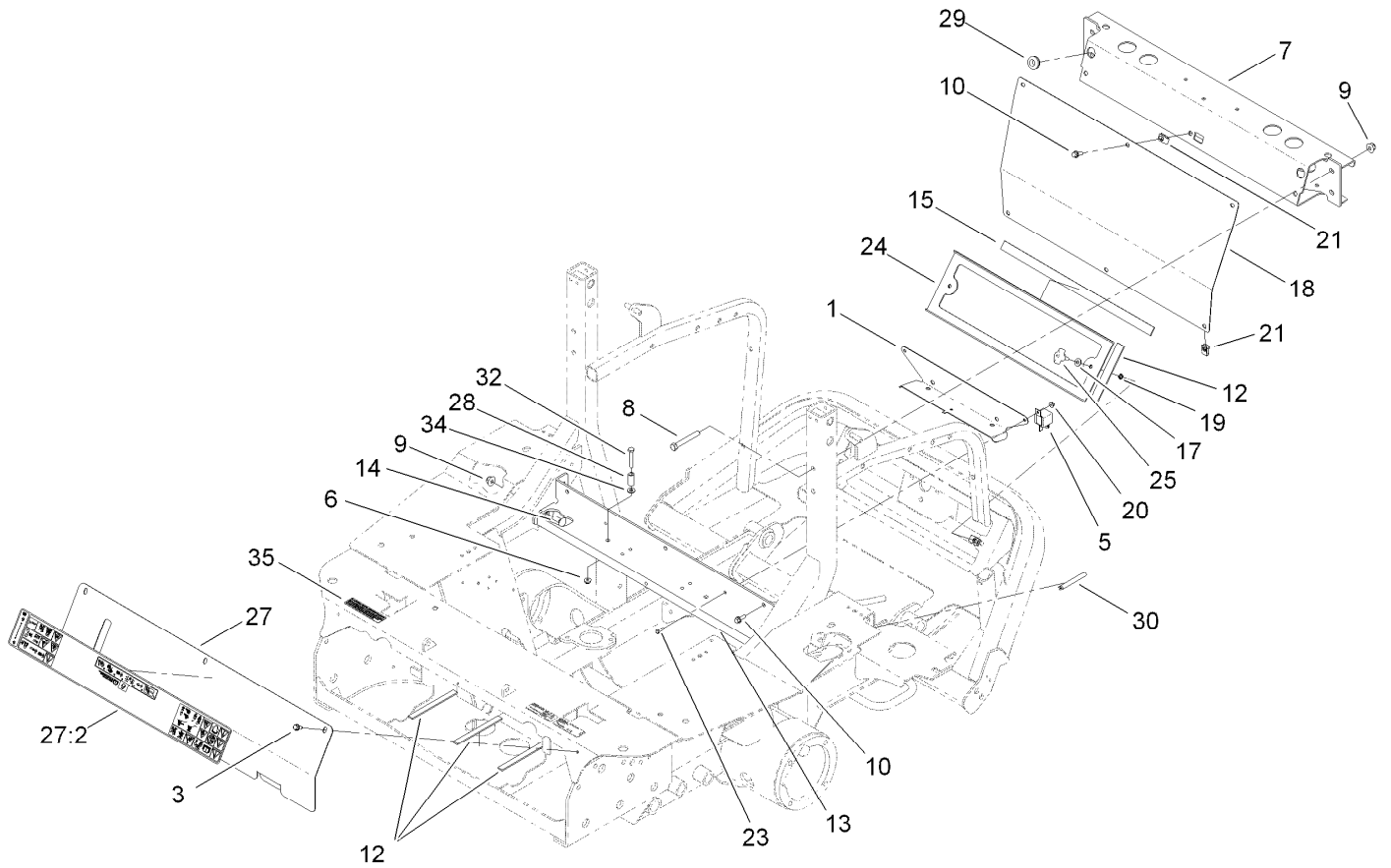
TTH: torx truss head

Contents

| | |
|--|----|
| Frame Assembly | 5 |
| Radiator Assembly | 6 |
| Control Panel Assembly | 7 |
| Transmission Assembly | 8 |
| Charge Pump Housing Assembly Transmission Assembly No. 121-3370 | 10 |
| Center Section Assembly Transmission Assembly No. 121-3370 | 11 |
| Gear Case and Clutch Assembly Transmission Assembly No. 121-3370 | 12 |
| Hydraulic Gear Pump Assembly No. 112-9542 | 13 |
| Traction Control Assembly | 14 |
| Engine Component Assembly | 16 |
| Air Cleaner Assembly No. 104-3428 | 18 |
| Engine, Muffler and Shield Assembly | 19 |
| Hydraulic Assembly | 20 |
| Parking Brake Assembly | 21 |
| Electrical Assembly | 22 |
| Hood Assembly | 23 |
| Fuel Tank Assembly | 24 |
| LH Fuel Tank Assembly No. 110-8230 | 25 |
| RH Fuel Tank Assembly No. 110-8236 | 26 |
| Seat Assembly | 27 |
| Seat Assembly No. 107-2286 | 28 |
| Driveshaft Assembly | 29 |
| Driveshaft Assembly No. 110-3575 | 30 |
| Rear Drive Assembly | 31 |
| Hydraulic Motor Assembly No. 108-5230 | 32 |
| Hydraulic Motor Assembly No. 108-5155 | 33 |
| LH Brake Caliper Assembly No. 120-0013 | 34 |
| RH Brake Caliper Assembly No. 120-0014 | 35 |
| Carrier Frame and Valve Assembly | 36 |
| Carrier Frame Kit Assembly No. 114-4087 | 38 |
| Carrier Frame Assembly | 39 |
| Hydraulic Cylinder Assembly No. 110-9834 | 40 |
| Hydraulic Valve Assembly No. 117-9235 | 41 |
| Caster Fork Assembly | 42 |
| Caster Wheel Assembly No. 108-9954 | 43 |
| Deck Linkage Assembly | 44 |
| Roll-Over Protection System and Rear Wheel Assembly | 45 |
| Deck, Spindle, Blade, Belt and Pulley Assembly | 46 |
| Deck Decal Assembly No. 108-9901 | 47 |
| Spindle Assembly No. 119-4778 | 48 |
| High Spindle Assembly No. 117-9233 | 49 |
| Double Spindle Assembly No. 117-9234 | 50 |
| Roller and Baffle Assembly | 51 |
| Belt Cover, Gearbox and Baffle Assembly | 52 |
| Rubber Deflector Assembly No. 108-2792 | 53 |
| Gearbox Assembly No. 117-9245-03 | 54 |
| Adjustment Link and Bumper Assembly | 55 |
| Crankcase Assembly | 56 |
| Oil Pan Assembly | 57 |
| Cylinder Head Assembly | 58 |
| Head Cover Assembly | 59 |
| Gear Case Assembly | 60 |
| Main Bearing Case Assembly | 61 |
| Camshaft and Idle Gear Shaft Assembly | 62 |

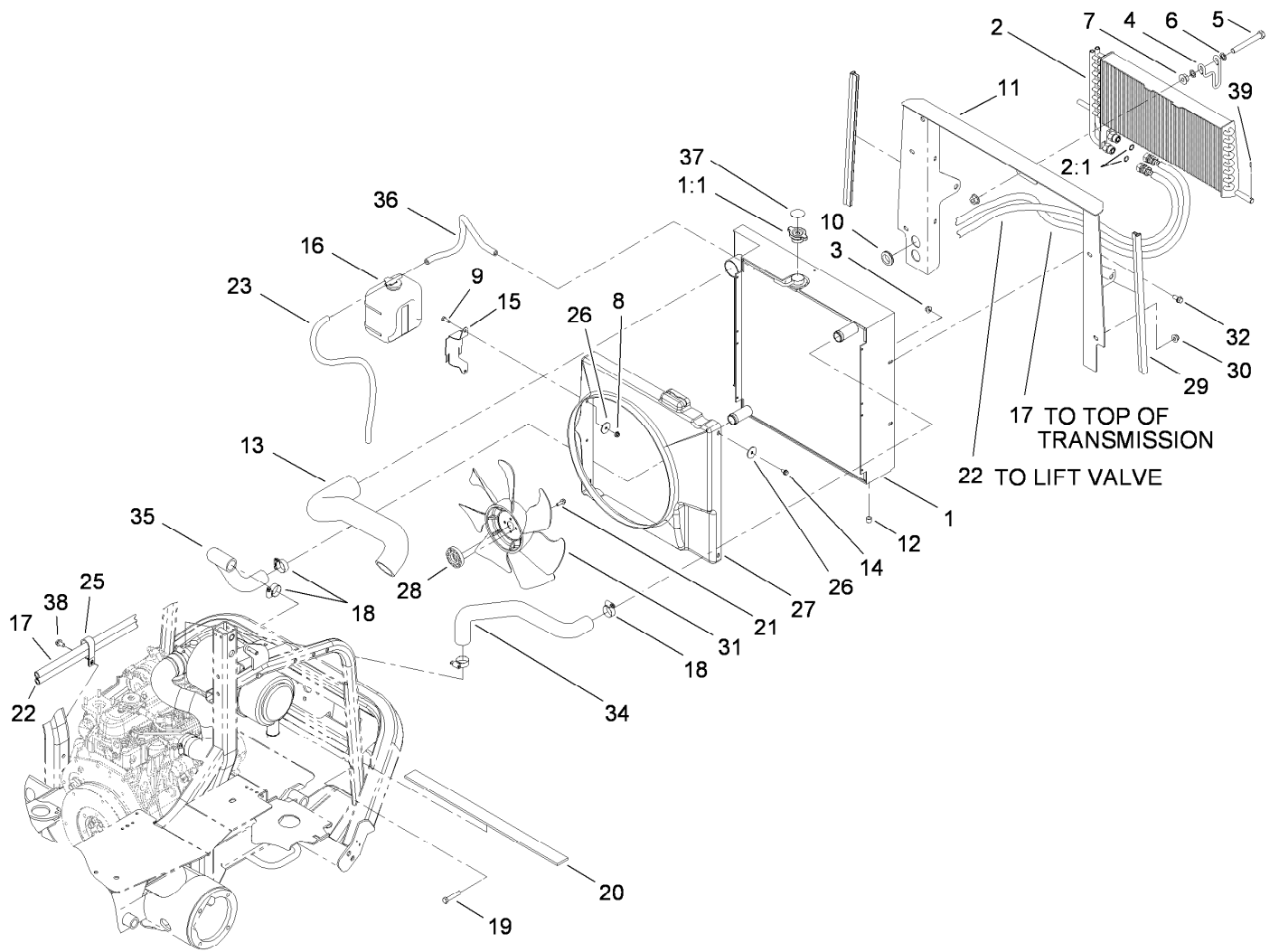
Contents (continued)

| | |
|---|----|
| Piston and Crankshaft Assembly | 63 |
| Flywheel Assembly | 64 |
| Fuel Camshaft and Governor Shaft Assembly | 65 |
| Idle Apparatus Assembly | 66 |
| Injection Pump Assembly | 67 |
| Governor Assembly | 68 |
| Speed Control Plate Assembly | 69 |
| Nozzle Holder and Glow Plug Assembly | 70 |
| Nozzle Holder Assembly | 71 |
| Alternator and Pulley Assembly | 72 |
| Alternator Components Assembly | 73 |
| Starter (Component Part) Assembly No. 98-9705 | 74 |
| Water Flange and Thermostat Assembly | 75 |
| Water Pump Assembly | 76 |
| Inlet and Exhaust Manifold Assembly | 77 |
| Valve and Rocker Arm Assembly | 78 |
| Turbo Charger Assembly | 79 |
| Turbo Charger Oil Pipe Assembly | 80 |
| Oil Cooler Assembly | 81 |
| Gasket Kit | 82 |
| Electric Fuel Pump, Fuel Filter, Starter and Overflow Bottle Assemblies | 83 |
| Attachments and Accessories | 84 |



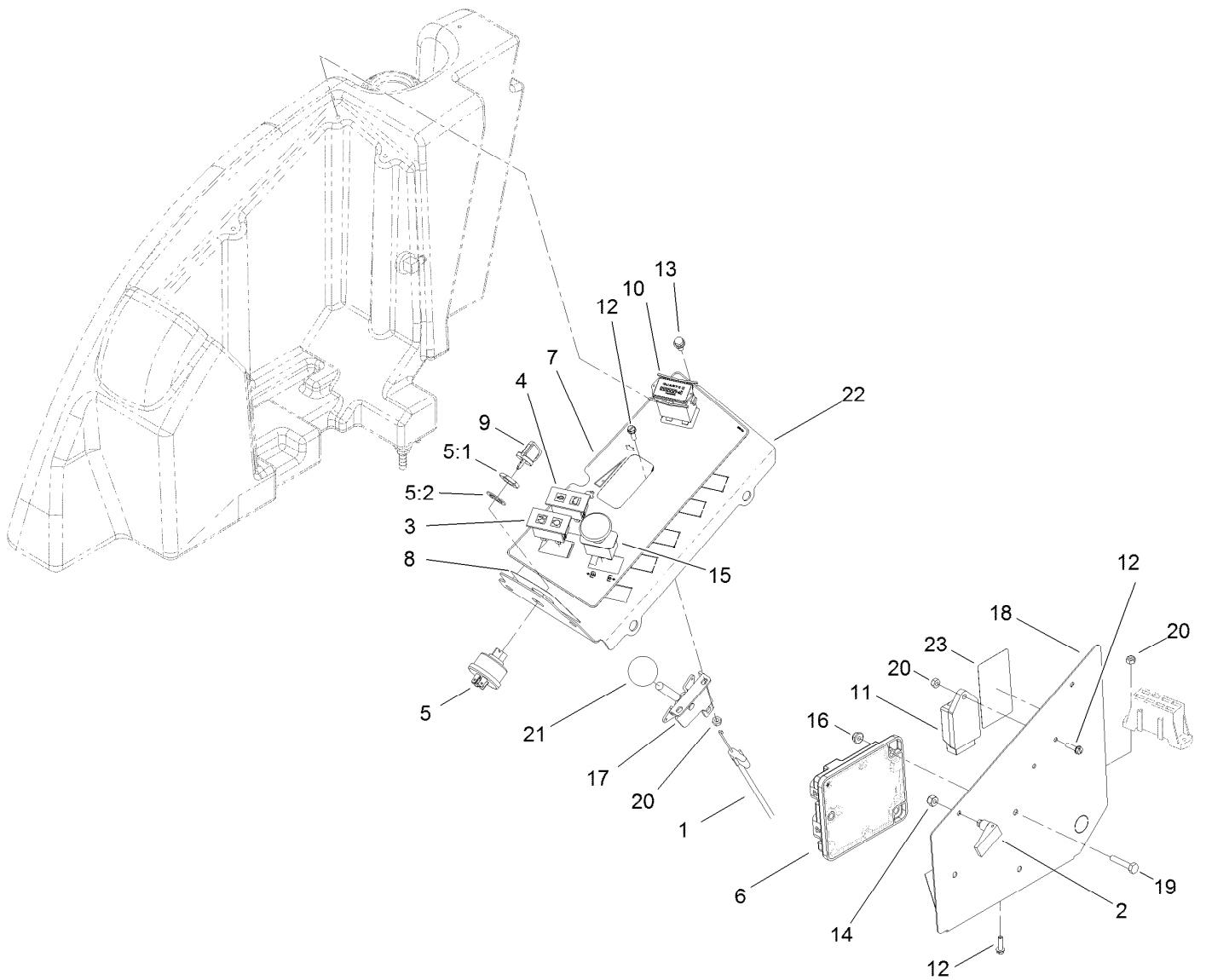
Frame Assembly

| <i>Ref.</i> | <i>Part Number</i> | <i>Qty.</i> | <i>Description</i> | <i>Ref.</i> | <i>Part Number</i> | <i>Qty.</i> | <i>Description</i> |
|-------------|--------------------|-------------|--------------------|-------------|--------------------|-------------|-------------------------|
| 1 | 114-4055-03 | 1 | Bracket-Wire | 19 | 32151-106 | 2 | Ring-Retaining |
| 3 | 32144-10 | 3 | Screw-HWH | 20 | 3290-148 | 2 | Nut-HF |
| 5 | 99-7435 | 1 | Relay-Power | 21 | 107069 | 8 | Clip |
| 6 | 104-7201 | 2 | Nut-HF | 23 | 3290-134 | 2 | Screw |
| 7 | 112-6361-03 | 1 | Crossmember ASM | 24 | 112-6384-03 | 1 | Screen ASM |
| 8 | 323-13 | 4 | Screw-HH | 25 | 98-8332 | 2 | Knob |
| 9 | 104-8301 | 8 | Nut-Flange, NI | 27 | 110-9794 | 1 | Cover-Front |
| 10 | 3234-4 | 6 | Screw-HHF | 27:2 | 110-9772 | 1 | Decal-Safety |
| 12 | 120-0017 | 5 | Strip-Foam | 28 | 95-5807 | 2 | Spacer |
| 13 | 105-7296-03 | 1 | Support-Seat | 29 | 237-124 | 2 | Grommet |
| 14 | 3231-2 | 4 | Screw-CARR | 30 | 110-8276 | 1 | Trim-Hold Down, Battery |
| 15 | 120-0019 | 2 | Strip-Foam | 32 | 321-10 | 2 | Screw-HH |
| 17 | 3256-22 | 2 | Washer-Flat | 34 | 3256-22 | 2 | Washer-Flat |
| 18 | 112-6367-03 | 1 | Panel-Rear | 35 | 117-2718 | 1 | Decal-Arrester, Spark |



Radiator Assembly

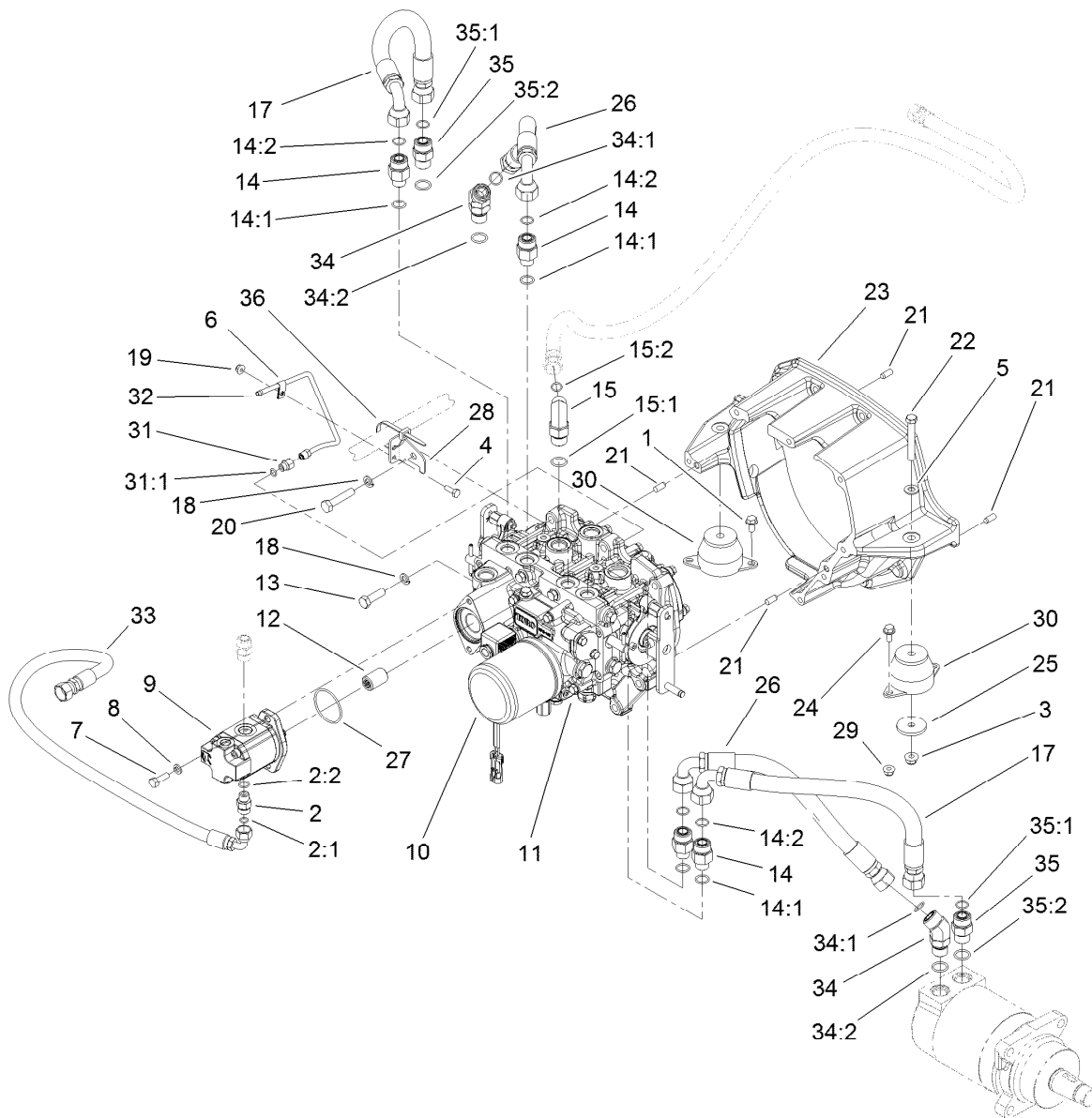
| Ref. | Part Number | Qty. | Description | Ref. | Part Number | Qty. | Description |
|------|-------------|------|-----------------------|------|-------------|------|----------------------|
| 1 | 117-5135 | 1 | Radiator | 19 | 323-10 | 4 | Screw-HH |
| 1:1 | 117-5138 | 1 | Cap-Radiator | 20 | 108-9935 | 1 | Strip-Foam |
| 2 | 112-1684 | 1 | Cooler-Oil | 21 | 33103-020 | 4 | Screw-HHF |
| 2:1 | 237-30 | 2 | O-Ring | 22 | 110-5543 | 1 | HYD Hose ASM |
| 3 | 104-8300 | 4 | Nut-Flange, NI | 23 | 108-3284 | 1 | Hose-Fuel |
| 4 | 104-5429 | 1 | Clamp-Form, Wire | 25 | 2412-137 | 1 | Clamp-R, Double |
| 5 | 325-17 | 1 | Screw-HH | 26 | 3256-55 | 6 | Washer-Flat |
| 6 | 41-8440 | 2 | Washer | 27 | 117-9232 | 1 | Shroud-Fan |
| 7 | 32128-49 | 2 | Nut-HHF | 28 | 108-2872 | 1 | Collar-Fan |
| 8 | 104-7201 | 2 | Nut-HF | 29 | 107-2269 | 2 | Seal-Bulb |
| 9 | 321-4 | 2 | Screw-HH | 30 | 104-8301 | 4 | Nut-Flange, NI |
| 10 | 240-5 | 2 | Grommet | 31 | 104-4246 | 1 | Fan-Engine |
| 11 | 110-8277-03 | 1 | Frame-Radiator | 32 | 3234-5 | 4 | Screw-HHF |
| 12 | 99-8551 | 1 | Plug-Pipe | 34 | 105-7282 | 1 | Hose-Radiator, Upper |
| 13 | 105-7281 | 1 | Hose-Air Inlet, Upper | 35 | 105-7283 | 1 | Hose-Radiator, Lower |
| 14 | 32104-116 | 4 | Screw-HF | 36 | 109-0274 | 1 | Hose-Fuel |
| 15 | 108-9930-03 | 1 | Bracket-Bottle | 37 | 106-6755 | 1 | Decal-Cap, Radiator |
| 16 | 108-0638 | 1 | Bottle-Overflow | 38 | 32144-14 | 1 | Screw-HWHTF |
| 17 | 110-5542 | 1 | HYD Hose ASM | 39 | 32121-107 | 1 | Pin-Roll, Slotted |
| 18 | 2412-34 | 4 | Clamp-Hose | | | | |



Control Panel Assembly

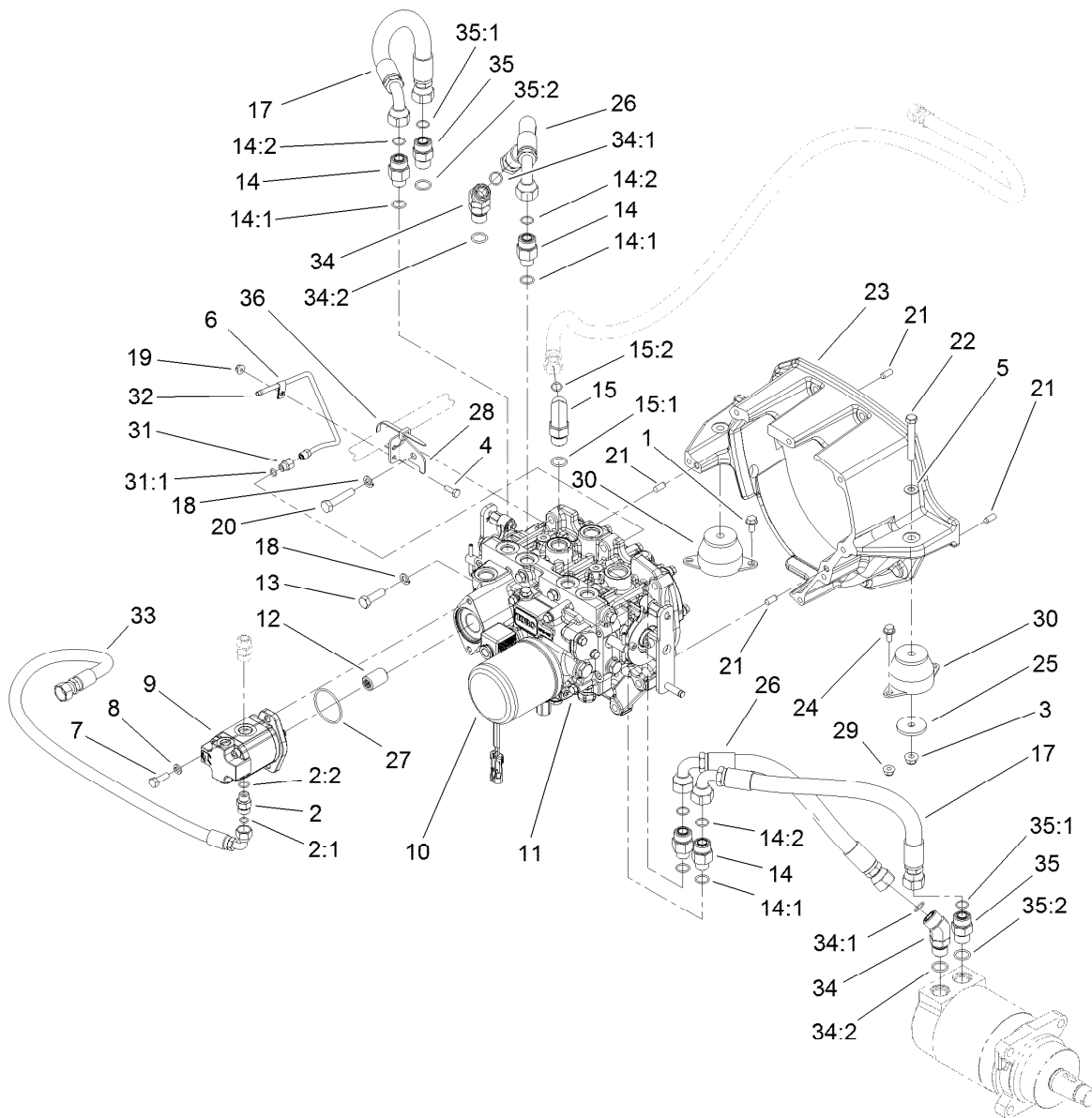
| <i>Ref.</i> | <i>Part Number</i> | <i>Qty.</i> | <i>Description</i> |
|-------------|--------------------|-------------|----------------------------|
| 1 | 110-5548 | 1 | Cable-Throttle |
| 2 | 74-5950 | 2 | Latch-Swell |
| 3 | 100-8071 | 1 | Lamp-Warning |
| 4 | 100-8070 | 1 | Lamp-Warning |
| 5 | 104-2541 | 1 | Switch ASM |
| 5:1 | 218-461 | 1 | Nut-HH |
| 5:2 | 3254-5 | 1 | Washer-Tooth, Internal |
| 6 | 106-9277 | 1 | Module-Control, Standard |
| 7 | 110-8253 | 1 | Decal-Panel, Control |
| 8 | 110-8254 | 1 | Decal-Start, Control Panel |
| 9 | 63-8360 | 2 | Key-Ignition |
| 10 | 1-513374 | 1 | Meter-Hour |
| 11 | 107-9097 | 1 | Controller-Glow |

| <i>Ref.</i> | <i>Part Number</i> | <i>Qty.</i> | <i>Description</i> |
|-------------|--------------------|-------------|----------------------|
| 12 | 32105-13 | 5 | Screw-HWH |
| 13 | 3234-13 | 5 | Screw-HHF |
| 14 | 1-804254 | 2 | Nut-Lock, HH |
| 15 | 93-9999 | 1 | Switch-PTO |
| 16 | 104-7201 | 3 | Nut-HF |
| 17 | 110-5547 | 1 | Control Lever ASM |
| 18 | 110-8257-03 | 1 | Cover-Panel, Control |
| 19 | 321-13 | 3 | Screw-HH |
| 20 | 3296-2 | 5 | Nut-Lock, NI |
| 21 | 233-42 | 1 | Knob |
| 22 | 110-8256-03 | 1 | Panel-Control |
| 23 | 110-9796 | 1 | Decal-Block, Fuse |



Transmission Assembly

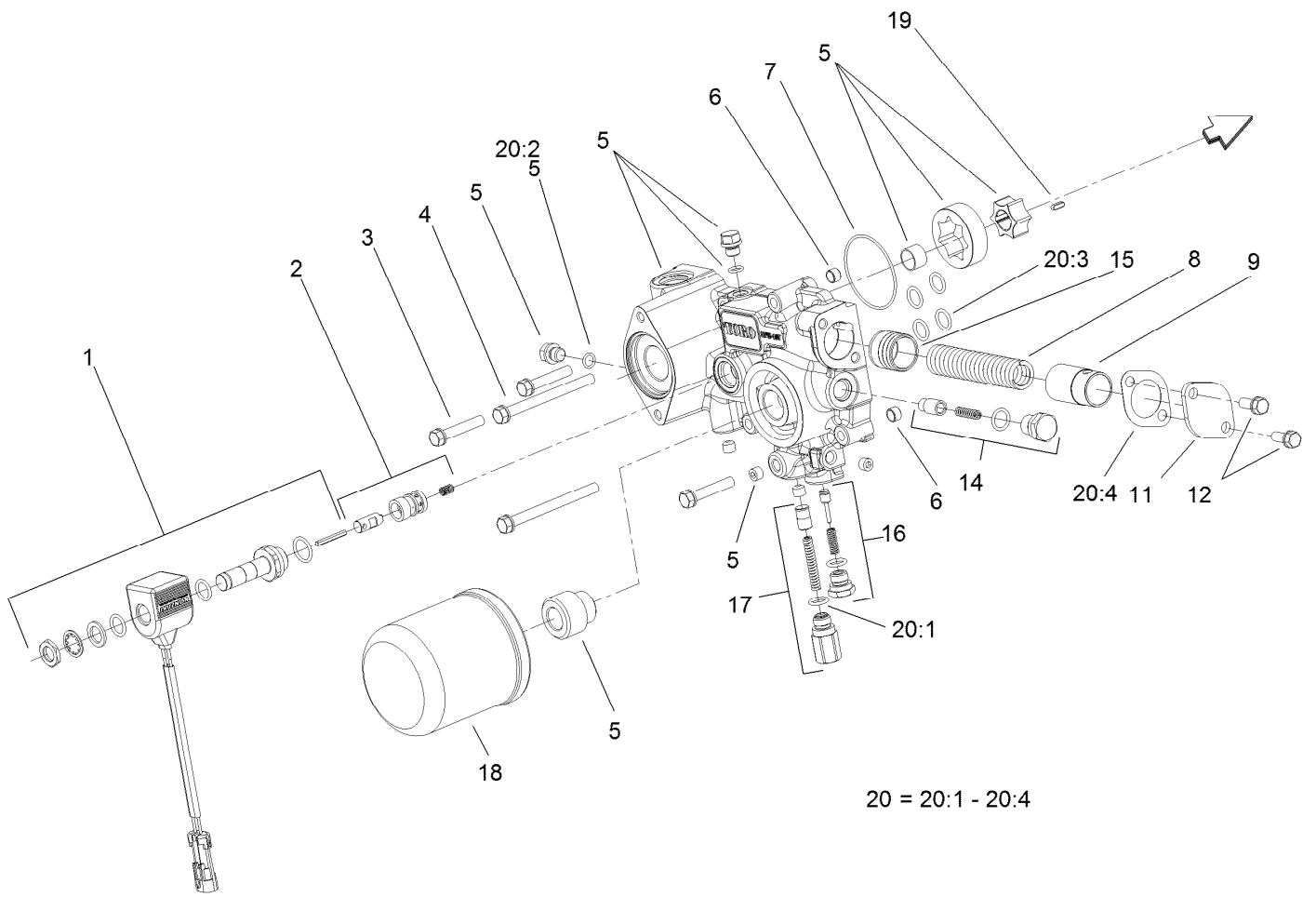
| Ref. | Part Number | Qty. | Description | Ref. | Part Number | Qty. | Description |
|------|-------------|------|------------------------|------|-------------|------|----------------------|
| 1 | 32144-14 | 2 | Screw-HWHTF | 17 | 112-1683 | 2 | Hose ASM |
| 2 | 340-2 | 1 | Fitting-HYD, Straight | 18 | 48-9590 | 7 | Washer-Lock |
| 2:1 | 237-22 | 1 | O-Ring | 19 | 104-7201 | 1 | Nut-HF |
| 2:2 | 237-42 | 1 | O-Ring | 20 | 33115-050 | 6 | Screw-HH |
| 3 | 104-8301 | 2 | Nut-Flange, NI | 21 | 87-1910 | 4 | Pin-Dowel |
| 4 | 321-4 | 1 | Screw-HH | 22 | 323-13 | 2 | Screw-HH |
| 5 | 3256-24 | 2 | Washer-Flat | 23 | 108-5193 | 1 | Housing-Flywheel |
| 6 | 2412-72 | 1 | Clip-Closed, Insulated | 24 | 3234-17 | 2 | Screw-HHF |
| 7 | 33114-025 | 2 | Screw-HH | 25 | 80-8560 | 2 | Washer-Hardened |
| 8 | 3253-4 | 2 | Washer-Lock | 26 | 110-5518 | 2 | Hose ASM |
| 9 | 112-9542 | 1 | Gear Pump ASM | 27 | 108-9919 | 1 | O-Ring |
| 10 | 108-5194 | 1 | Filter-Oil, HYD | 28 | 120-0239 | 1 | Support-Tube |
| 11 | 121-3370 | 1 | Transmission ASM | 29 | 104-8300 | 2 | Nut-Flange, NI |
| 12 | 108-9920 | 1 | Coupler-Spline, 9T | 30 | 107-2289 | 2 | Mount-Motor |
| 13 | 33115-035 | 1 | Screw-HH | 31 | 110-5536 | 1 | Fitting-HYD, Adapter |
| 14 | 340-155 | 4 | Fitting-HYD, Straight | 31:1 | 237-78 | 1 | O-Ring |
| 14:1 | 237-79 | 1 | O-Ring | 32 | 110-5537 | 1 | Tube ASM |
| 14:2 | 237-151 | 1 | O-Ring | 33 | 94-5961 | 1 | Hose ASM |
| 15 | 340-105 | 1 | Fitting-HYD, 90 DEG | 34 | 340-14 | 2 | Fitting-HYD, 45 DEG |
| 15:1 | 237-80 | 1 | O-Ring | 34:1 | 237-65 | 1 | O-Ring |
| 15:2 | 237-30 | 1 | O-Ring | 34:2 | 237-80 | 1 | O-Ring |



Transmission Assembly (continued)

| Ref. | Part Number | Qty. | Description |
|------|-------------|------|-------------|
| 35 | 340-7 | 2 | Adapter |
| 35:1 | 237-65 | 1 | O-Ring |

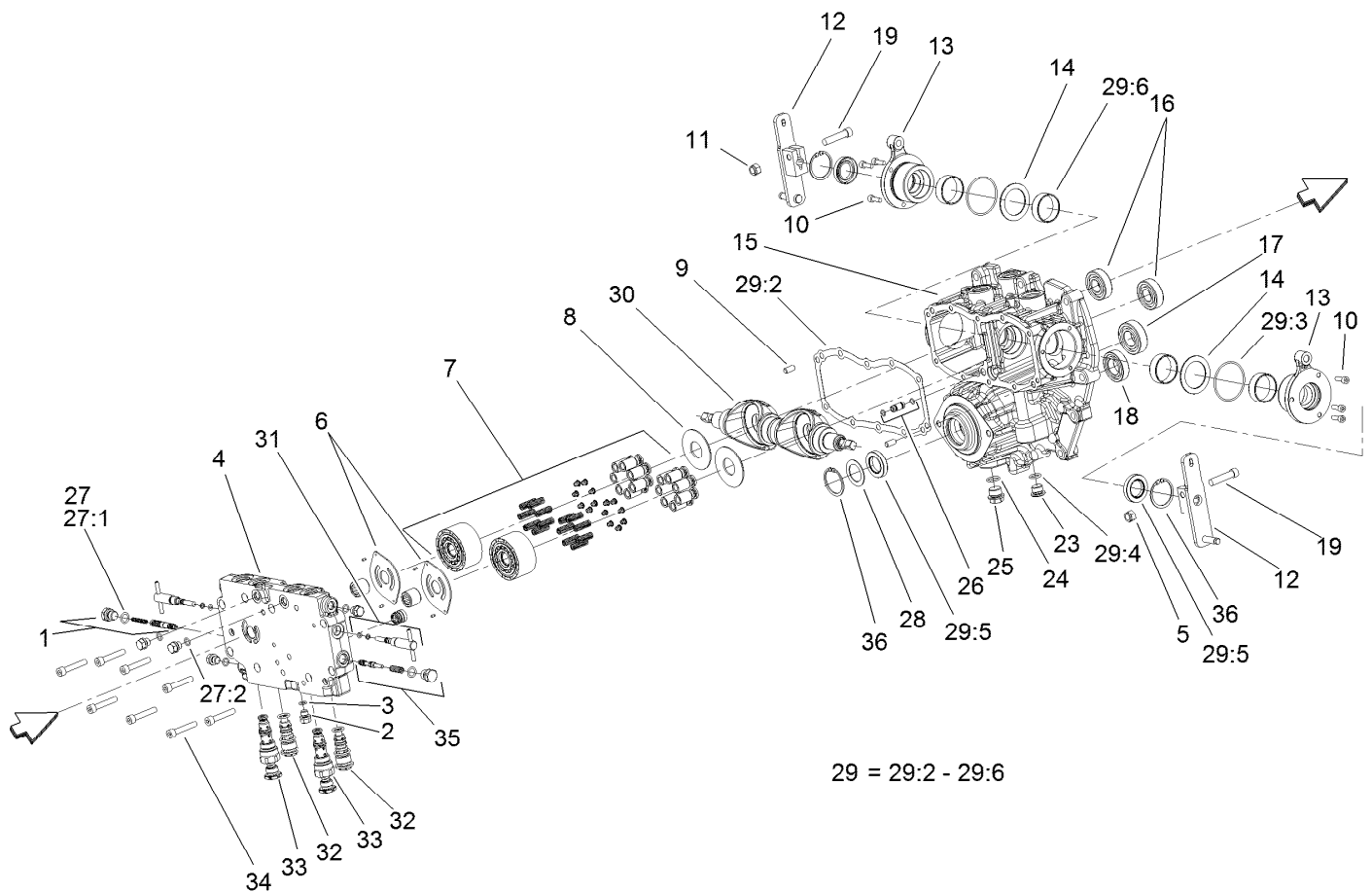
| Ref. | Part Number | Qty. | Description |
|------|-------------|------|-------------|
| 35:2 | 237-80 | 1 | O-Ring |
| 36 | 3290-378 | 1 | Tie-Cable |



Charge Pump Housing Assembly Transmission Assembly No. 121-3370

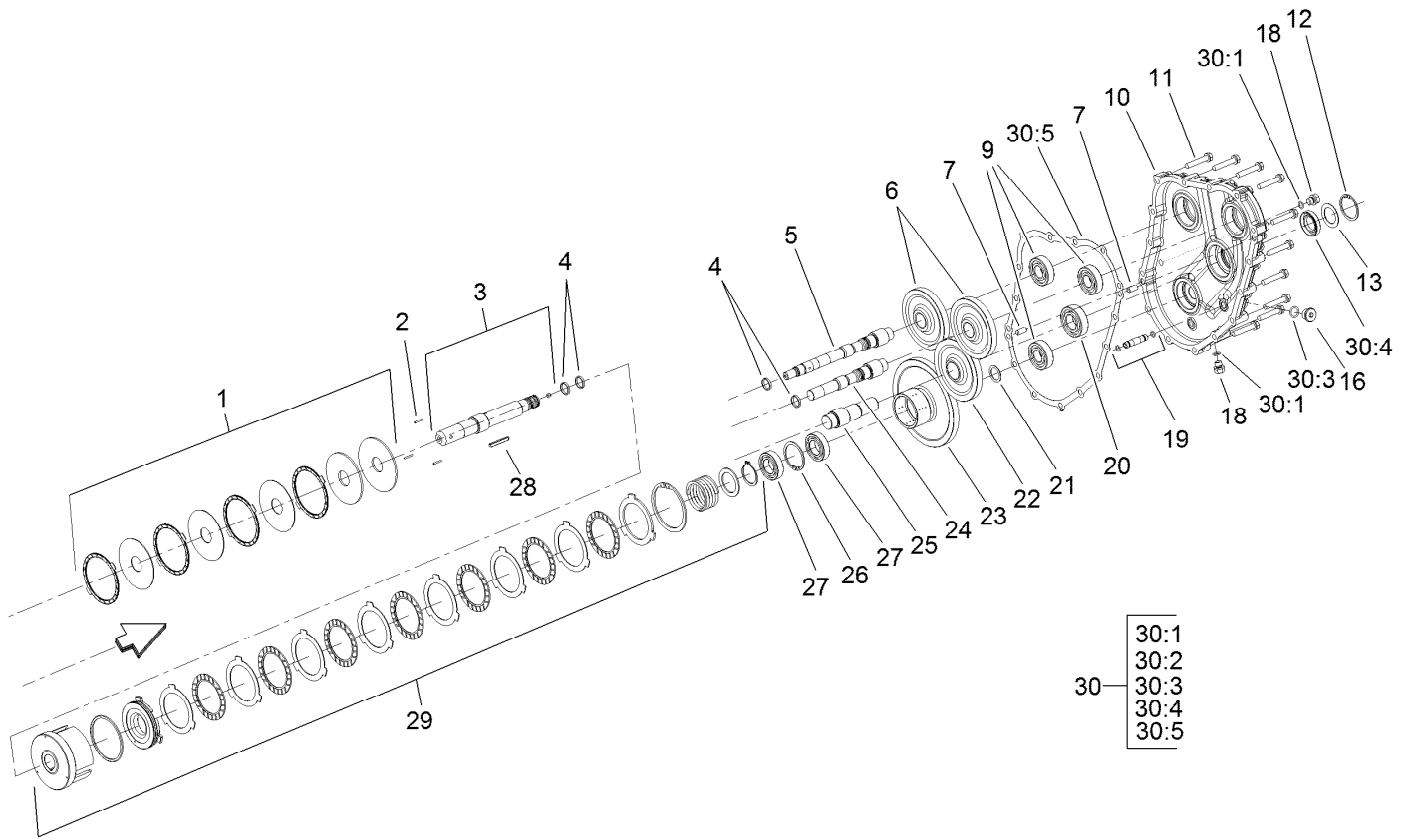
| <i>Ref.</i> | <i>Part Number</i> | <i>Qty.</i> | <i>Description</i> |
|-------------|--------------------|-------------|---------------------|
| 1 | 107-0851 | 1 | Solenoid ASM |
| 2 | 107-0850 | 1 | Solenoid Valve ASM |
| 3 | 107-0863 | 3 | Bolt |
| 4 | 107-0864 | 2 | Bolt |
| 5 | 107-0840 | 1 | Pump Body ASM |
| 6 | 107-0848 | 2 | Pin |
| 7 | 107-0856 | 1 | O-Ring |
| 8 | 107-0845 | 1 | Spring |
| 9 | 107-0844 | 1 | Collar |
| 11 | 107-0846 | 1 | Cover |
| 12 | 93-0457 | 2 | Bolt And Washer ASM |

| <i>Ref.</i> | <i>Part Number</i> | <i>Qty.</i> | <i>Description</i> |
|-------------|--------------------|-------------|-------------------------|
| 14 | 107-0843 | 1 | Filter Bypass Valve ASM |
| 15 | 107-0818 | 1 | Piston |
| 16 | 107-0842 | 1 | Charge Relief Valve ASM |
| 17 | 107-0841 | 1 | Pressure Valve ASM |
| 18 | 108-5194 | 1 | Filter-Oil, HYD |
| 19 | 107-0865 | 1 | Key |
| 20 | 107-0855 | 1 | Charge Pump Seal Kit |
| 20:1 | 93-0418 | 2 | O-Ring |
| 20:2 | 107-0817 | 2 | O Ring-Plug |
| 20:3 | 104-3298 | 6 | Packing |
| 20:4 | 107-0847 | 1 | Gasket |



Center Section Assembly Transmission Assembly No. 121-3370

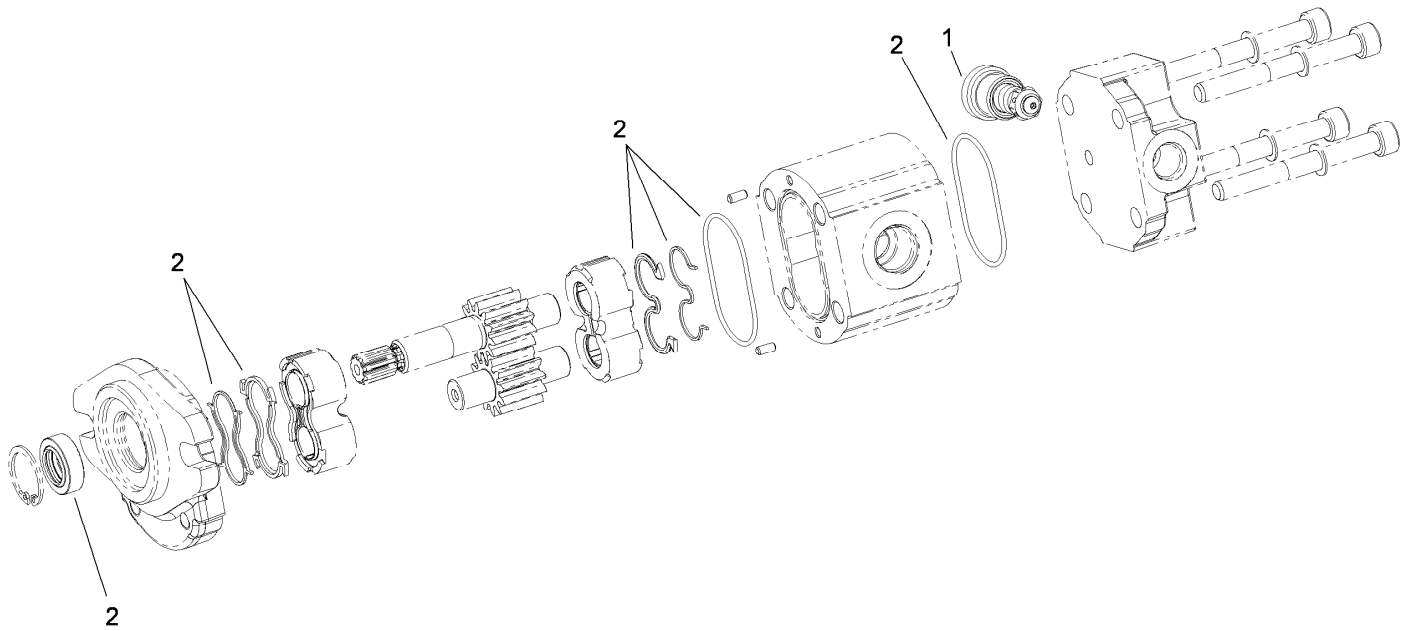
| Ref. | Part Number | Qty. | Description | Ref. | Part Number | Qty. | Description |
|------|-------------|------|-----------------------|------|-------------|------|-----------------------|
| 1 | 107-0807 | 1 | Valve-Flushing, RH | 24 | 107-0862 | 1 | O-Ring |
| 2 | 107-0857 | 2 | Plug | 25 | 107-0867 | 1 | Plug |
| 3 | 107-0817 | 2 | O Ring-Plug | 26 | 107-0812 | 1 | Pipe |
| 4 | 121-3377 | 1 | Center Case, Complete | 27 | 107-0852 | 1 | Center Case Seal Kit |
| 5 | 107-0858 | 1 | U-Nut | 27:1 | 93-0418 | 2 | O-Ring |
| 6 | 107-0805 | 2 | Plate-Valve | 27:2 | 107-0817 | 6 | O Ring-Plug |
| 7 | 107-0824 | 2 | Cylinder Block ASM | 28 | 107-0813 | 1 | Spacer |
| 8 | 107-0830 | 2 | Plate-Thrust | 29 | 107-0853 | 1 | Pump Housing Seal Kit |
| 9 | 92-0765 | 4 | Pin-Parallel | 29:2 | 107-0810 | 1 | Gasket-Case, Center |
| 10 | 107-0859 | 6 | Bolt | 29:3 | 107-0817 | 2 | O Ring-Plug |
| 11 | 120-6681 | 2 | U-Nut | 29:4 | 104-3298 | 1 | Packing |
| 12 | 120-6680 | 2 | Arm-Control | 29:5 | 107-0814 | 3 | Seal |
| 13 | 107-0832 | 2 | Side Cover ASM | 29:6 | 107-0825 | 4 | Ring-Seal |
| 14 | 107-0829 | 2 | Washer | 30 | 120-6679 | 2 | Plate-Swash |
| 15 | 120-5151 | 1 | Pump Housing ASM | 31 | 107-0808 | 2 | Valve-Bypass |
| 16 | 107-0826 | 2 | Bearing | 32 | 121-3378 | 2 | Check Valve-Rear |
| 17 | 107-0821 | 1 | Bearing | 33 | 107-0803 | 2 | Valve-Front |
| 18 | 107-0838 | 1 | Bearing | 34 | 107-0863 | 8 | Bolt |
| 19 | 120-6682 | 2 | Bolt (10 X 40) | 35 | 107-0806 | 1 | Valve-Flushing, LH |
| 23 | 107-0861 | 1 | Plug-NPTF | 36 | 92-0757 | 2 | Ring-Snap |



Gear Case and Clutch Assembly Transmission Assembly No. 121-3370

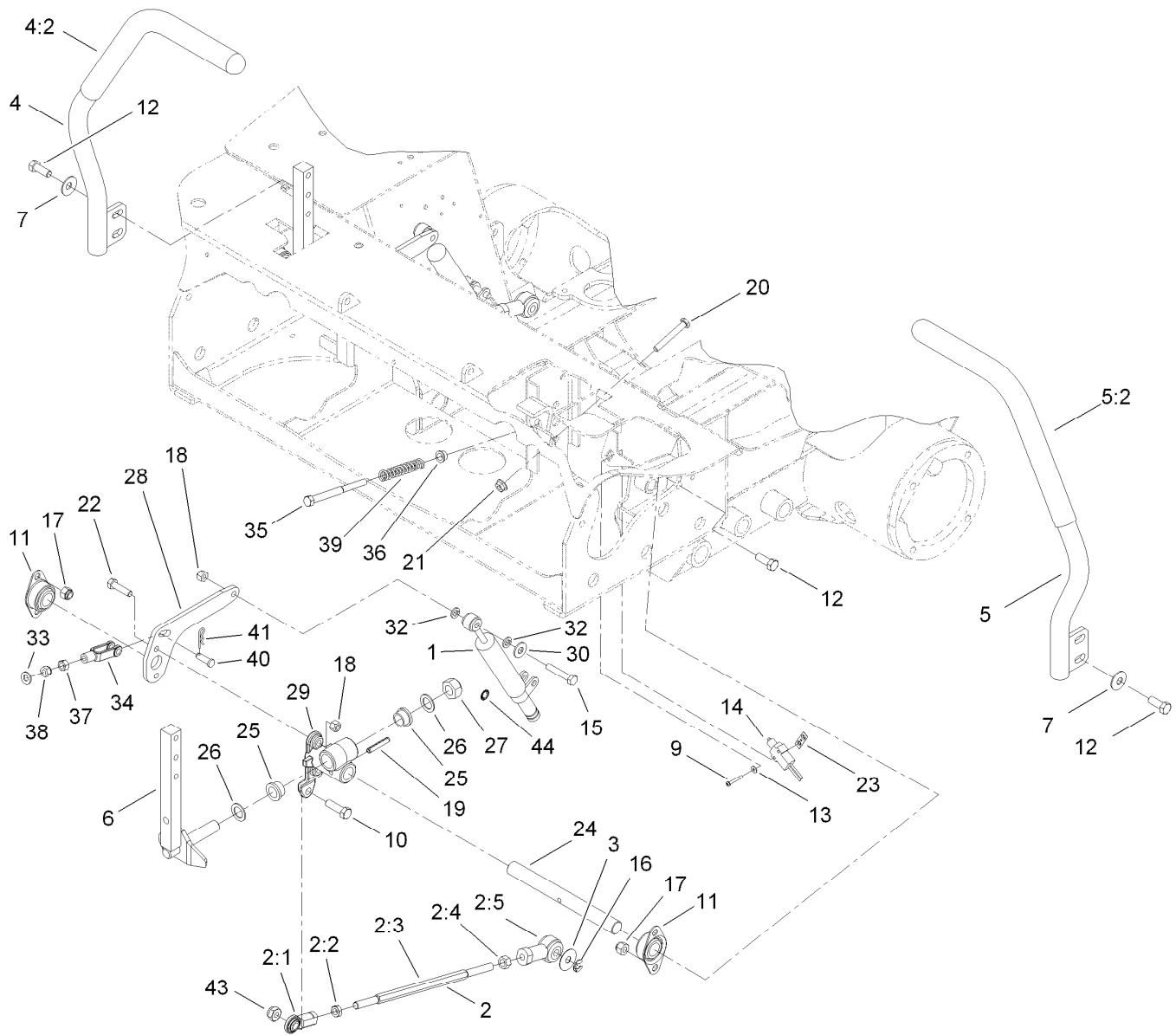
| Ref. | Part Number | Qty. | Description | Ref. | Part Number | Qty. | Description |
|------|-------------|------|--------------------|------|-------------|------|-----------------------|
| 1 | 107-0839 | 1 | PTO Brake ASM | 21 | 107-0836 | 1 | Spacer |
| 2 | 107-0837 | 3 | Rod-Push | 22 | 107-0820 | 1 | Gear-Input |
| 3 | 107-0833 | 1 | PTO Shaft ASM | 23 | 107-0834 | 1 | Gear-PTO |
| 4 | 107-0825 | 2 | Ring-Seal | 24 | 107-0822 | 1 | Shaft-Pump |
| 5 | 107-0827 | 1 | Shaft-Pump | 25 | 107-0819 | 1 | Shaft-Input |
| 6 | 107-0823 | 2 | Gear-Pump | 26 | 92-0758 | 1 | Ring-Snap |
| 7 | 92-0765 | 4 | Pin-Parallel | 27 | 107-0838 | 3 | Bearing |
| 9 | 107-0826 | 4 | Bearing | 28 | 107-0866 | 1 | Key |
| 10 | 120-5152 | 1 | Housing-Case, Gear | 29 | 107-0835 | 1 | Clutch Cylinder ASM |
| 11 | 107-0863 | 13 | Bolt | 30 | 107-0854 | 1 | Gear Housing Seal Kit |
| 12 | 92-0757 | 1 | Ring-Snap | 30:1 | 107-0817 | 2 | O Ring-Plug |
| 13 | 107-0813 | 1 | Spacer | 30:2 | | 2 | O-Ring ● |
| 16 | 107-0861 | 1 | Plug-NPTF | 30:3 | 104-3298 | 1 | Packing |
| 18 | 107-0857 | 6 | Plug | 30:4 | 107-0814 | 1 | Seal |
| 19 | 107-0811 | 1 | Pipe | 30:5 | 107-0816 | 1 | Gasket-Housing, Gear |
| 20 | 107-0821 | 2 | Bearing | | | | |

● Not serviced separately



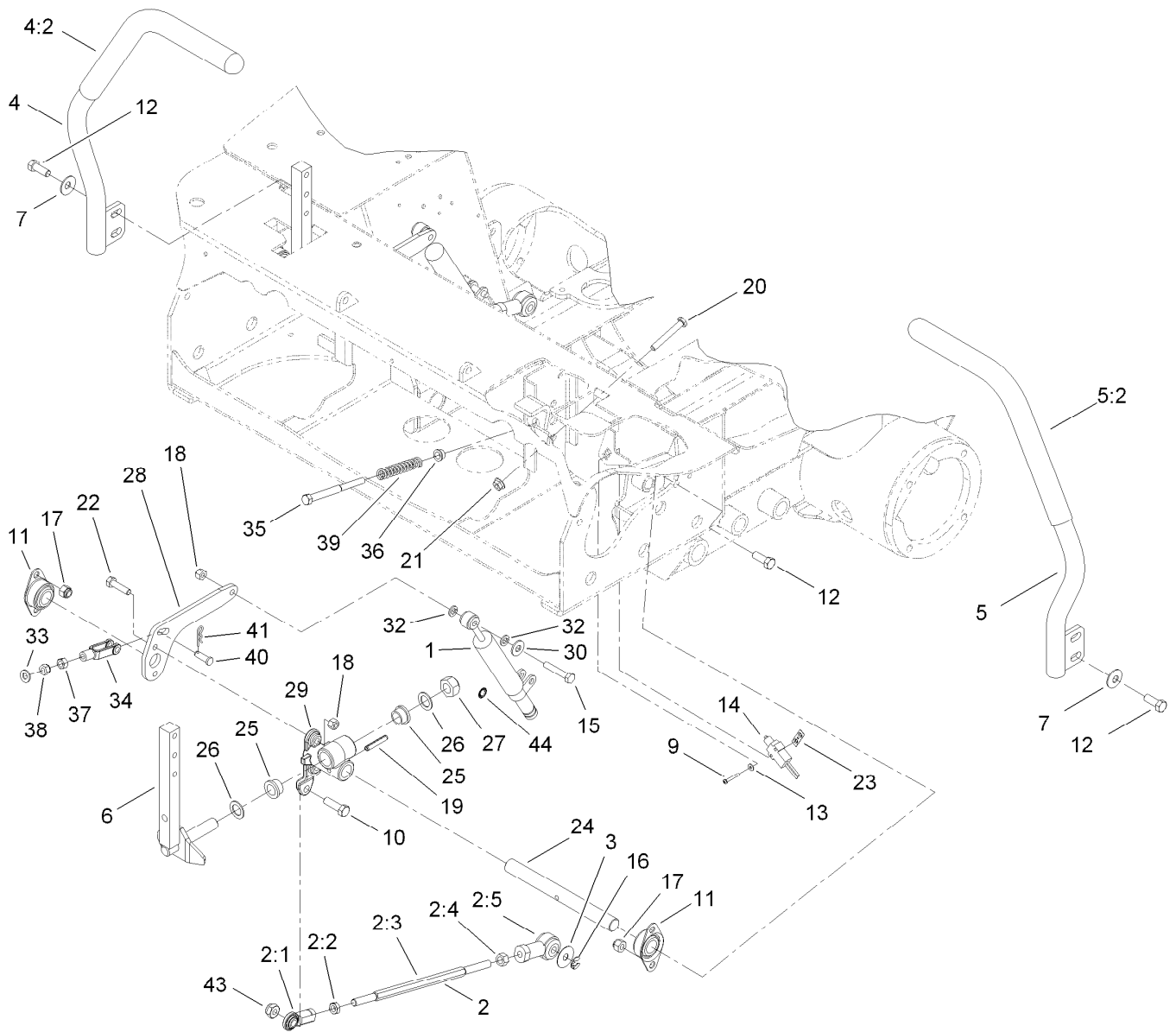
Hydraulic Gear Pump Assembly No. 112-9542

| <i>Ref.</i> | <i>Part Number</i> | <i>Qty.</i> | <i>Description</i> |
|-------------|--------------------|-------------|--------------------|
| 1 | 112-0198 | 1 | Valve |
| 2 | 112-0199 | 1 | Seal Kit |



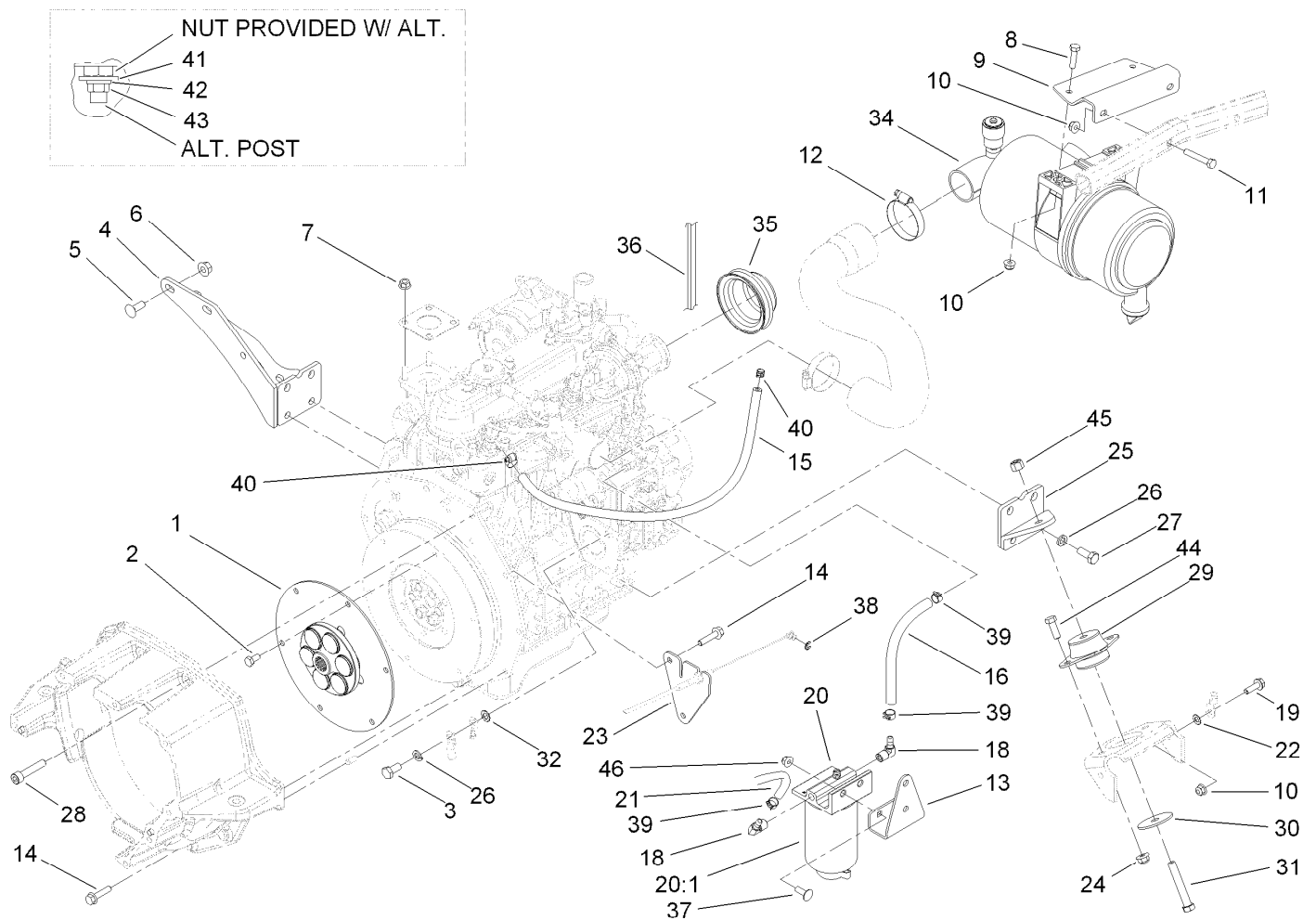
Traction Control Assembly

| Ref. | Part Number | Qty. | Description | Ref. | Part Number | Qty. | Description |
|------|-------------|------|-----------------------|------|-------------|------|----------------------|
| 1 | 105-7280 | 2 | Damper | 16 | 32151-47 | 2 | Ring-Retaining |
| 2 | 112-5099 | 2 | Link ASM | 17 | 3296-39 | 8 | Nut-Lock, NI |
| 2:1 | 103-1167 | 1 | Joint-Ball End, LH | 18 | 3296-29 | 6 | Nut-Lock, NI |
| 2:2 | 3219-20 | 1 | Nut-Hex, LH | 19 | 32121-15 | 2 | Pin-Roll |
| 2:3 | 105-7239 | 1 | Rod-Threaded | 20 | 9114524 | 2 | Bolt-TAP, HH |
| 2:4 | 3219-3 | 1 | Nut-Hex | 21 | 32128-26 | 2 | Nut-Flange |
| 2:5 | 105-7199 | 1 | Rod End-Isolated | 22 | 322-6 | 4 | Screw-HH |
| 3 | 105-6814 | 2 | Washer-Plain | 23 | 108-9824 | 2 | Nut-Switch |
| 4 | 108-5208 | 1 | RH Lever And Grip ASM | 24 | 108-9830 | 2 | Shaft-Pivot |
| 4:2 | 108-5213 | 1 | Grip-Foam | 25 | 105-3455 | 4 | Bushing |
| 5 | 108-5209 | 1 | LH Lever And Grip ASM | 26 | 105-3481 | 4 | Washer-Thrust |
| 5:2 | 108-5213 | 1 | Grip-Foam | 27 | 32152-6 | 2 | Nut-Lock, Cone |
| 6 | 108-9833-03 | 2 | Lever ASM | 28 | 108-9829-03 | 2 | Lever-Damper |
| 7 | 3290-461 | 4 | Washer-Spring | 29 | 108-9831 | 2 | Hub-Control |
| 9 | 3250-35 | 4 | Screw-PPH | 30 | 3256-3 | 2 | Washer-Flat |
| 10 | 323-7 | 2 | Screw-HH | 32 | 3253-4 | 4 | Washer-Lock |
| 11 | 1-633102 | 4 | Bearing-Flange, Side | 33 | 3256-23 | 2 | Washer-Flat |
| 12 | 323-6 | 12 | Screw-HH | 34 | 1-303105 | 2 | Yoke-Adjustable |
| 13 | 3256-53 | 4 | Washer-Flat | 35 | 1-603737 | 2 | Bolt-Return, Neutral |
| 14 | 99-3410 | 2 | Switch | 36 | 1-603735 | 2 | Bushing-Flanged |
| 15 | 322-9 | 2 | Screw-HH | 37 | 3219-2 | 2 | Nut-Hex |



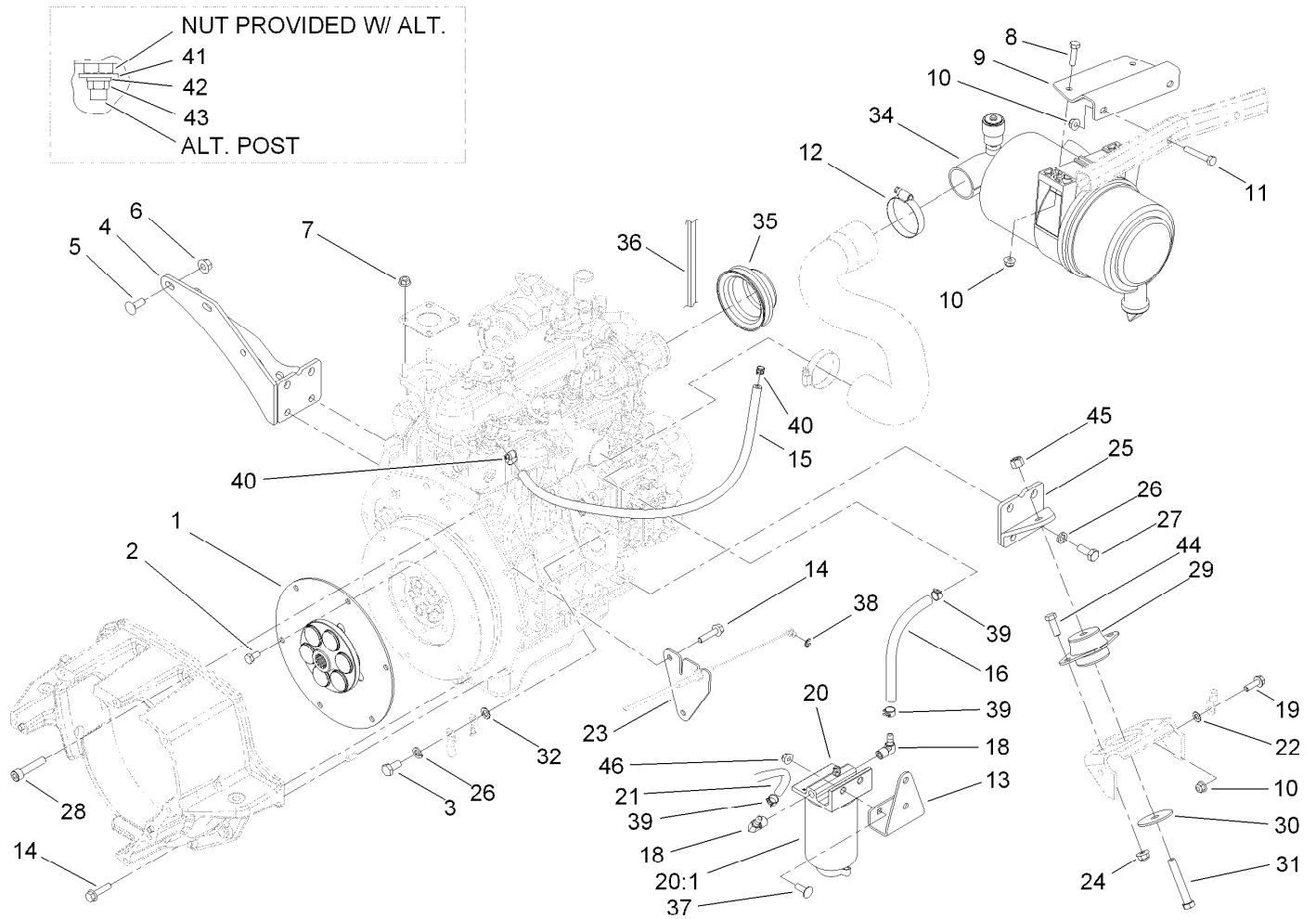
Traction Control Assembly (continued)

| <i>Ref.</i> | <i>Part Number</i> | <i>Qty.</i> | <i>Description</i> | <i>Ref.</i> | <i>Part Number</i> | <i>Qty.</i> | <i>Description</i> |
|-------------|--------------------|-------------|------------------------|-------------|--------------------|-------------|--------------------|
| 38 | 3296-4 | 2 | Nut-Lock | 41 | 3290-307 | 2 | Pin-Hair |
| 39 | 1-603807 | 2 | Spring-Return, Neutral | 43 | 3296-44 | 2 | Nut-Lock, NI |
| 40 | 283-1 | 2 | Pin-Clevis | 44 | 32151-72 | 2 | Ring-Retaining |



Engine Component Assembly

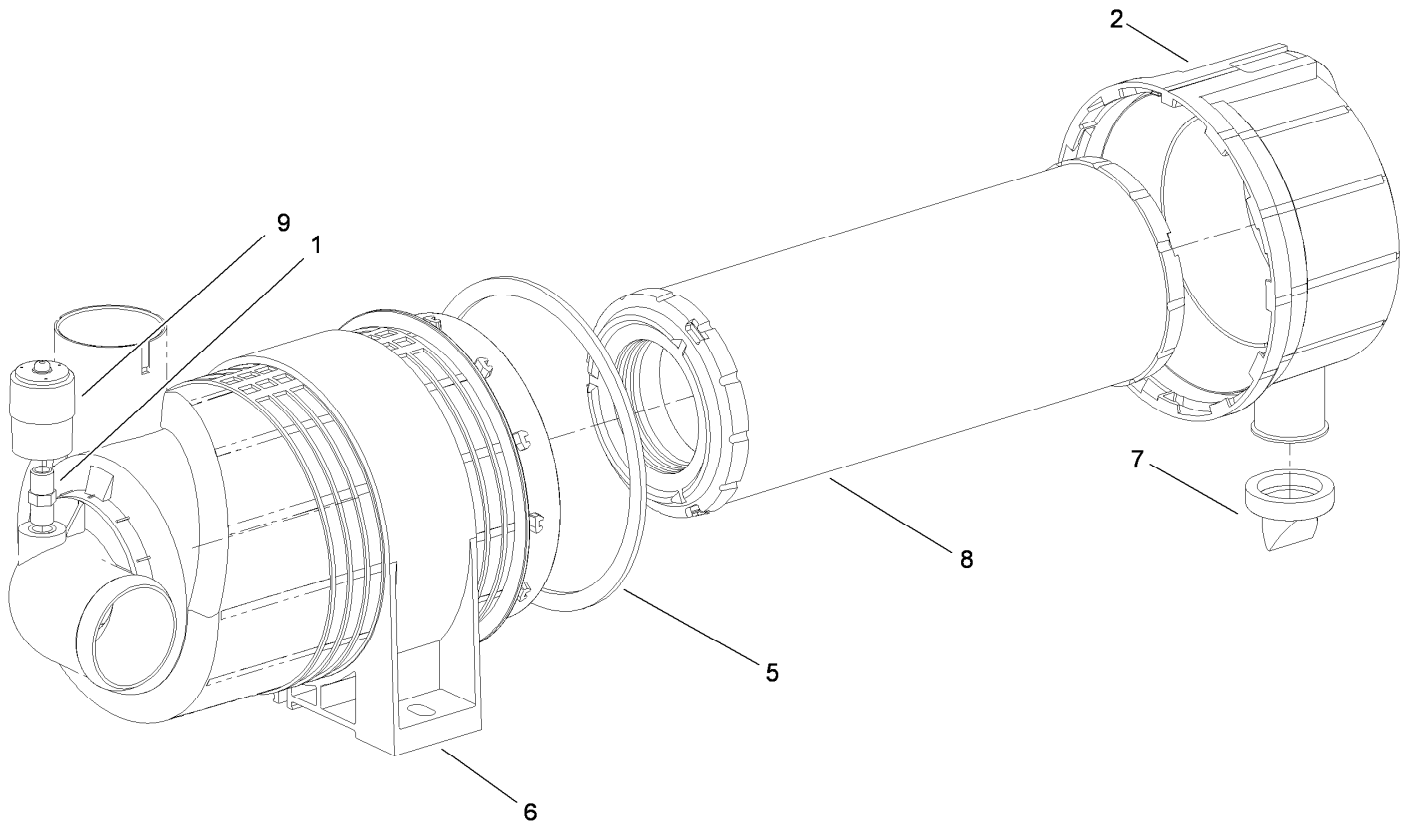
| Ref. | Part Number | Qty. | Description | Ref. | Part Number | Qty. | Description |
|------|-------------|------|-----------------------|------|-------------|------|---------------------|
| 1 | 110-9729 | 1 | Flywheel Coupling ASM | 22 | 3255-8 | 1 | Washer-Lock |
| 2 | 33114-016 | 6 | Screw-HH | 23 | 114-4060 | 1 | Bracket-Throttle |
| 3 | 63-7790 | 1 | Screw-Cap | 24 | 104-8301 | 4 | Nut-Flange, NI |
| 4 | 108-9926-03 | 1 | Muffler Bracket ASM | 25 | 105-7235-03 | 1 | LH Rear Mount ASM |
| 5 | 3231-22 | 2 | Screw-CARR | 26 | 48-9590 | 9 | Washer-Lock |
| 6 | 32128-29 | 2 | Nut-Lock, Flange | 27 | 43-0090 | 8 | Screw-HH |
| 7 | 33004-00 | 4 | Nut-HF | 28 | 3274-106 | 2 | Screw-HSH |
| 8 | 322-6 | 2 | Screw-HH | 29 | 53-9681 | 2 | Mount-Engine |
| 9 | 108-9843-03 | 1 | Support-Cleaner, Air | 30 | 87-5100 | 2 | Washer-Snubbing |
| 10 | 104-8300 | 5 | Nut-Flange, NI | 31 | 324-11 | 2 | Screw-HH |
| 11 | 322-10 | 2 | Screw-HH | 32 | 3255-9 | 1 | Washer-Lock |
| 12 | 2412-130 | 1 | Clamp-Hose | 34 | 104-3428 | 1 | Air Cleaner ASM |
| 13 | 114-4058-03 | 1 | Mount-Separator | 35 | 98-9584 | 1 | Pulley-Fan |
| 14 | 33104-035 | 8 | Screw-HHF | 36 | 98-9676 | 1 | V-Belt |
| 15 | 110-8255 | 1 | Hose-Fuel | 37 | 3230-10 | 2 | Screw-CARR |
| 16 | 110-4104 | 1 | Hose-Fuel | 38 | 701197 | 1 | E-Ring |
| 18 | 353-781 | 2 | Fitting-Elbow | 39 | 92-2379 | 3 | Clamp-Hose |
| 19 | 3234-17 | 1 | Screw-HHF | 40 | 2412-80 | 2 | Clamp-Hose |
| 20 | 110-9044 | 1 | Filter-Separator | 41 | 3256-2 | 1 | Washer-Flat |
| 20:1 | 110-9049 | 1 | Filter-Spin On | 42 | 43-5930 | 1 | Washer-Lock, Spring |
| 21 | 114-4028 | 1 | Hose-Fuel | 43 | 33013-00 | 1 | Nut-Hex |



Engine Component Assembly (continued)

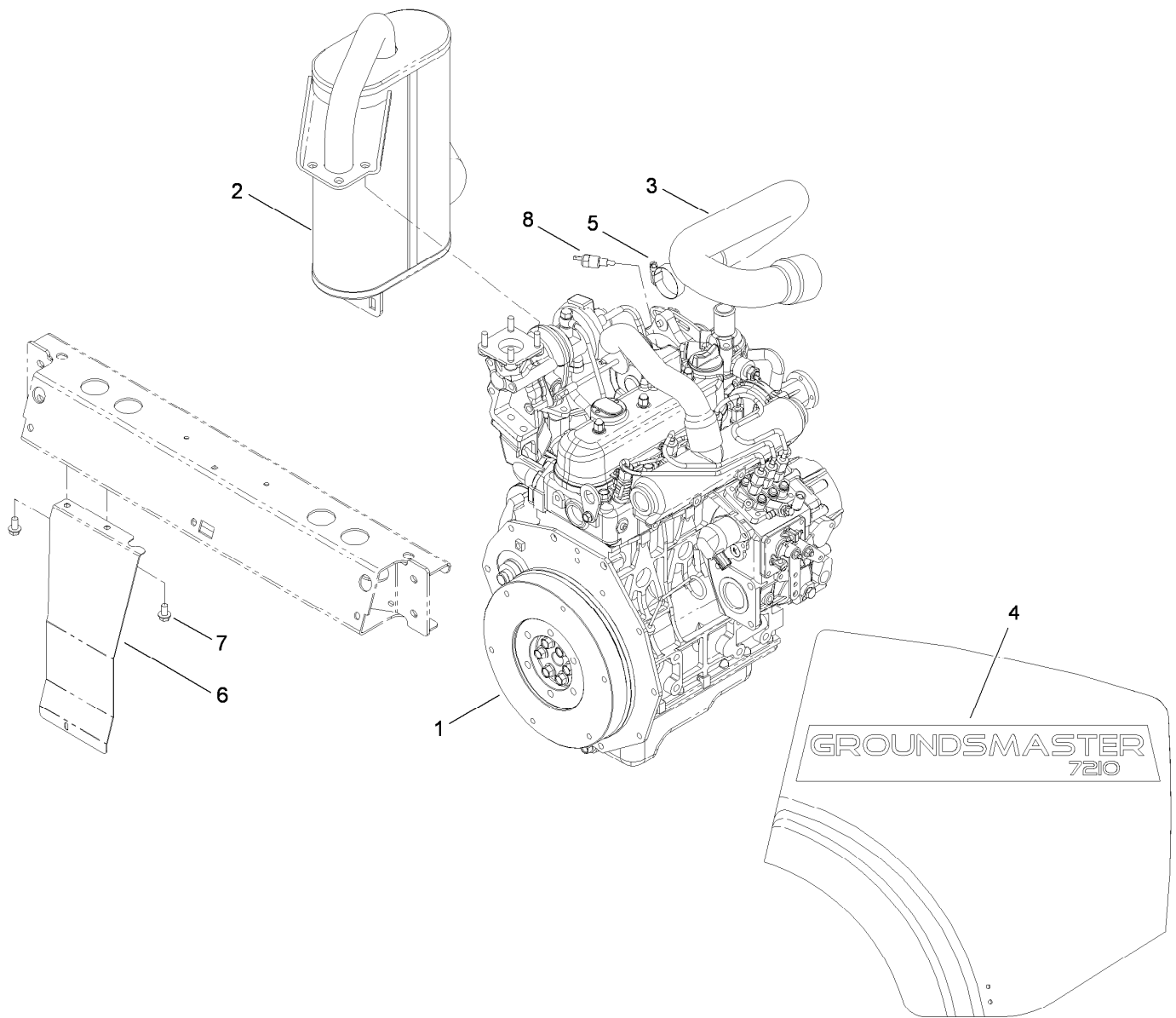
| Ref. | Part Number | Qty. | Description |
|------|-------------|------|-------------|
| 44 | 323-6 | 4 | Screw-HH |

| Ref. | Part Number | Qty. | Description |
|------|-------------|------|--------------|
| 45 | 3296-48 | 2 | Nut-Lock, NI |
| 46 | 32128-44 | 2 | Nut |



Air Cleaner Assembly No. 104-3428

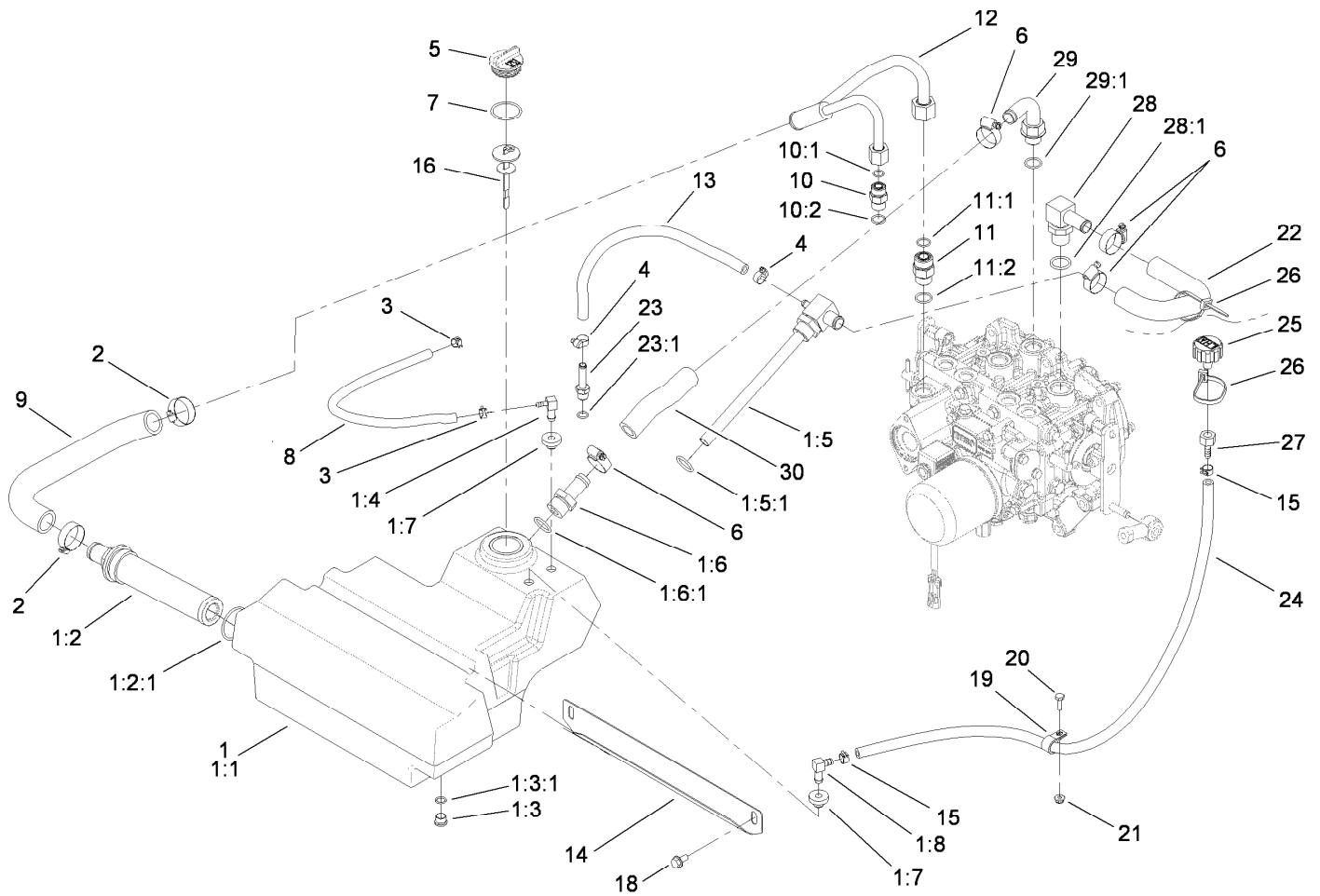
| <i>Ref.</i> | <i>Part Number</i> | <i>Qty.</i> | <i>Description</i> |
|-------------|--------------------|-------------|----------------------|
| 1 | 105-4292 | 1 | Nipple-Pipe |
| 2 | 104-0497 | 1 | Cover ASM |
| 5 | 104-4897 | 1 | Gasket |
| 6 | 98-4525 | 1 | Bracket-Cleaner, Air |
| 7 | 104-0498 | 1 | Valve-Vacuator |
| 8 | 108-3810 | 1 | Filter-Air |
| 9 | 93-9164 | 1 | Indicator-Mini |



Engine, Muffler and Shield Assembly

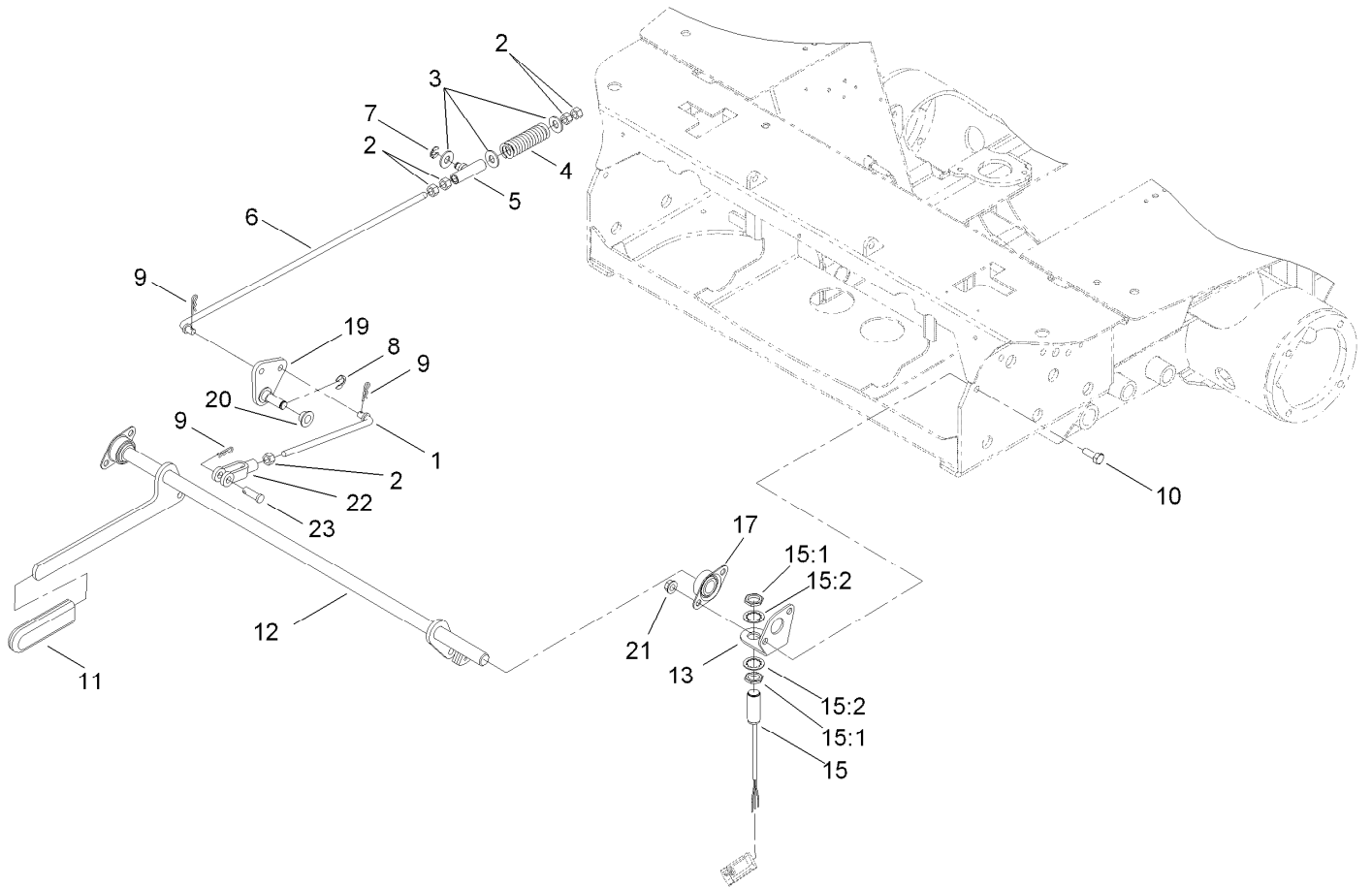
| <i>Ref.</i> | <i>Part Number</i> | <i>Qty.</i> | <i>Description</i> |
|-------------|--------------------|-------------|-----------------------|
| 1 | 114-4080 | 1 | Engine-Kubota |
| 2 | 108-9912 | 1 | Muffler |
| 2:1 | 112-1688 | 1 | Spark Arrestor Kit ● |
| 3 | 112-9582 | 1 | Hose-Air Inlet, Turbo |
| 4 | 110-5545 | 2 | Decal-Hood |
| 5 | 2412-3 | 1 | Clamp-Hose |
| 6 | 112-6368-03 | 1 | Shield-Heat |
| 7 | 32144-14 | 2 | Screw-HWHTF |
| 8 | 98-9719 | 1 | Thermoswitch |

● Not illustrated



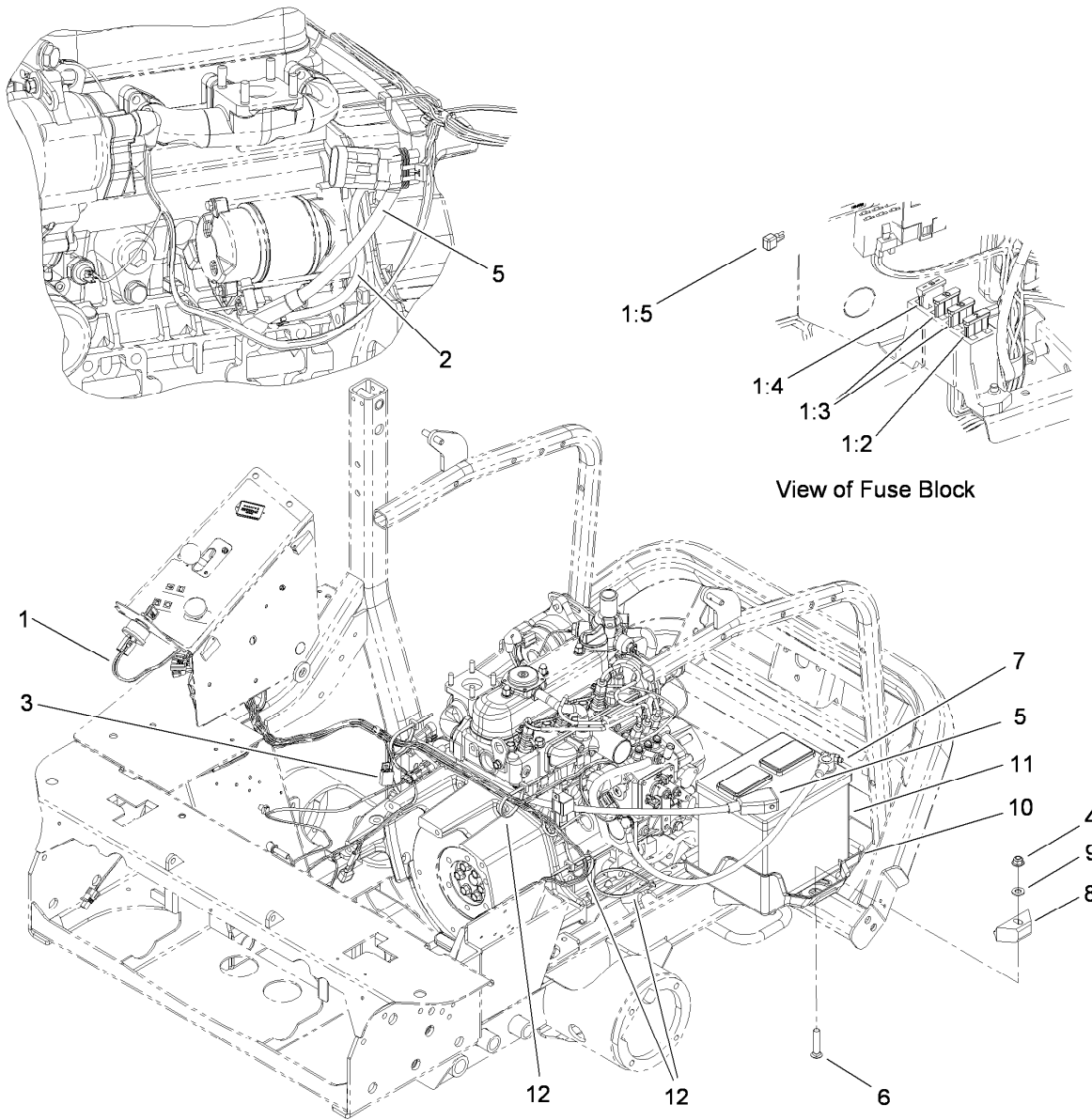
Hydraulic Assembly

| Ref. | Part Number | Qty. | Description | Ref. | Part Number | Qty. | Description |
|-------|-------------|------|-------------------------|------|-------------|------|------------------------------|
| 1 | 110-8237 | 1 | Hydraulic Reservoir ASM | 11:1 | 237-65 | 1 | O-Ring |
| 1:1 | 108-5200 | 1 | Reservoir-Hydraulic | 11:2 | 237-80 | 1 | O-Ring |
| 1:2 | 104-7546 | 1 | Strainer-Tank | 12 | 110-5532 | 1 | Tube ASM |
| 1:2:1 | 340-136 | 1 | O-Ring | 13 | 94-5625 | 1 | Hose-Overflow, Radiator |
| 1:3 | 353-989 | 1 | Plug-Hex, Hollow | 14 | 110-5529-03 | 1 | Support-Reservoir |
| 1:3:1 | 237-42 | 1 | O-Ring | 15 | 92-2379 | 2 | Clamp-Hose |
| 1:4 | 104-5228 | 1 | Fitting-Elbow, 90 DEG | 16 | 112-6365 | 1 | Dipstick ASM |
| 1:5 | 108-9894 | 1 | Fitting-Elbow, Special | 18 | 32144-14 | 2 | Screw-HWHTF |
| 1:5:1 | 237-81 | 1 | O-Ring | 19 | 2412-87 | 1 | Clamp-Cable |
| 1:6 | 354-73 | 1 | Fitting-Straight | 20 | 321-4 | 1 | Screw-HH |
| 1:6:1 | 237-81 | 1 | O-Ring | 21 | 104-7201 | 1 | Nut-HF |
| 1:7 | 46-6560 | 2 | Bushing | 22 | 110-5524 | 1 | Hose-Return |
| 1:8 | 46-6550 | 1 | Fitting-Elbow, 90 DEG | 23 | 353-979 | 1 | Fitting-Straight |
| 2 | 2412-34 | 2 | Clamp-Hose | 23:1 | 237-42 | 1 | O-Ring |
| 3 | 2412-98 | 2 | Clamp-Hose | 24 | 110-9662 | 1 | Hose-Fuel |
| 4 | 2412-108 | 2 | Clamp-Worm | 25 | 68-6150 | 1 | Breather |
| 5 | 93-7498 | 1 | Plug-Plastic | 26 | 3290-379 | 2 | Tie-Cable |
| 6 | 2412-129 | 4 | Clamp-Hose | 27 | 354-95 | 1 | Fitting-Straight |
| 7 | 94-8166 | 1 | O-Ring | 28 | 353-987 | 1 | Fitting-HYD, 90 DEG (Barbed) |
| 8 | 109-0299 | 1 | Hose-Fuel | 28:1 | 237-81 | 1 | O-Ring |
| 9 | 110-5526 | 1 | Hose-Suction | 29 | 110-5522 | 1 | Fitting-Elbow, 90 |
| 10 | 340-4 | 1 | Fitting-HYD, Straight | 29:1 | 237-80 | 1 | O-Ring |
| 10:1 | 237-30 | 1 | O-Ring | 30 | 112-1680 | 1 | Hose-HYD |
| 10:2 | 237-79 | 1 | O-Ring | | | | |
| 11 | 340-7 | 1 | Adapter | | | | |



Parking Brake Assembly

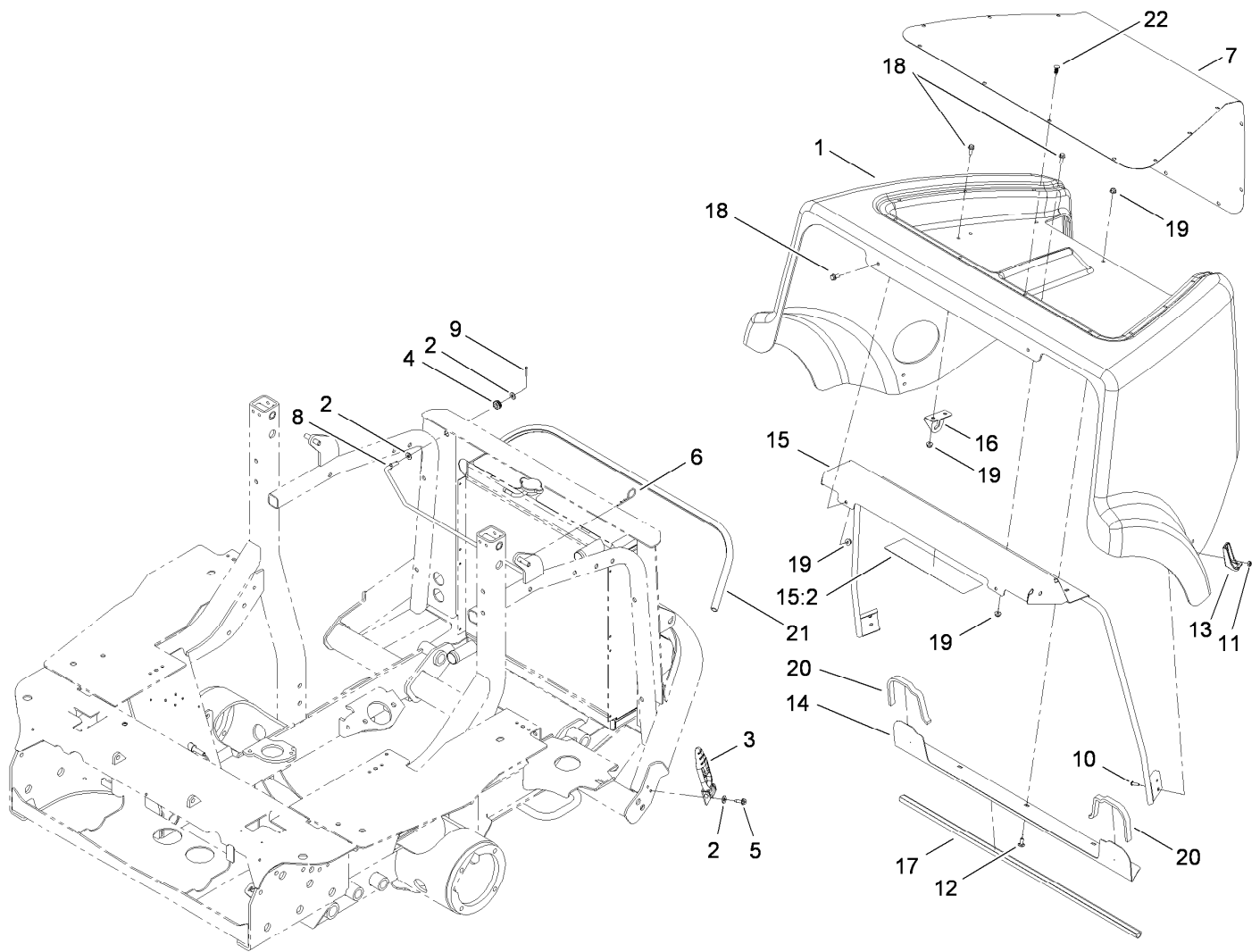
| Ref. | Part Number | Qty. | Description | Ref. | Part Number | Qty. | Description |
|------|-------------|------|--------------------|------|-------------|------|------------------------|
| 1 | 120-0023 | 2 | Rod-Brake | 12 | 117-5582-03 | 1 | Brake Handle ASM |
| 2 | 3219-3 | 10 | Nut-Hex | 13 | 117-5572 | 1 | Bracket-Switch |
| 3 | 3256-4 | 6 | Washer-Flat | 15 | 115-5300 | 1 | Proximity Switch ASM |
| 4 | 109-2230 | 2 | Spring-Compression | 15:1 | 117-3207 | 2 | Nut-Hex |
| 5 | 112-1676 | 2 | Swivel ASM | 15:2 | 117-3208 | 2 | Washer-Lock, Int Tooth |
| 6 | 120-0009 | 2 | Rod-Brake | 17 | 1-633102 | 2 | Bearing-Flange, Side |
| 7 | 32151-47 | 2 | Ring-Retaining | 19 | 120-0022 | 2 | Brake Pivot ASM |
| 8 | 32151-68 | 2 | Ring-Retaining | 20 | 1-513140 | 4 | Bearing-Control |
| 9 | 3290-307 | 6 | Pin-Hair | 21 | 3290-357 | 4 | Nut-HHF, Whiz |
| 10 | 323-6 | 4 | Screw-HH | 22 | 1-633131 | 2 | Yoke-Linkage, Brake |
| 11 | 1-633268 | 1 | Grip-Lever | 23 | 1-808285 | 2 | Pin-Clevis |



Electrical Assembly

| <i>Ref.</i> | <i>Part Number</i> | <i>Qty.</i> | <i>Description</i> |
|-------------|--------------------|-------------|----------------------------|
| 1 | 117-5636 | 1 | Harness-Wire, Main |
| 1:2 | 94-6710 | 1 | Fuse-2 Amp |
| 1:3 | 218-578 | 2 | Fuse-Blade, 10 Amp |
| 1:4 | 109355 | 1 | Fuse-Blade, 15 Amp |
| 1:5 | 100-4918 | 1 | Diode |
| 2 | 99-3441 | 1 | Harness-Wire, Fusible Link |
| 3 | 108-8657 | 1 | Harness-Wire, Seat |
| 4 | 104-8301 | 1 | Nut-Flange, NI |

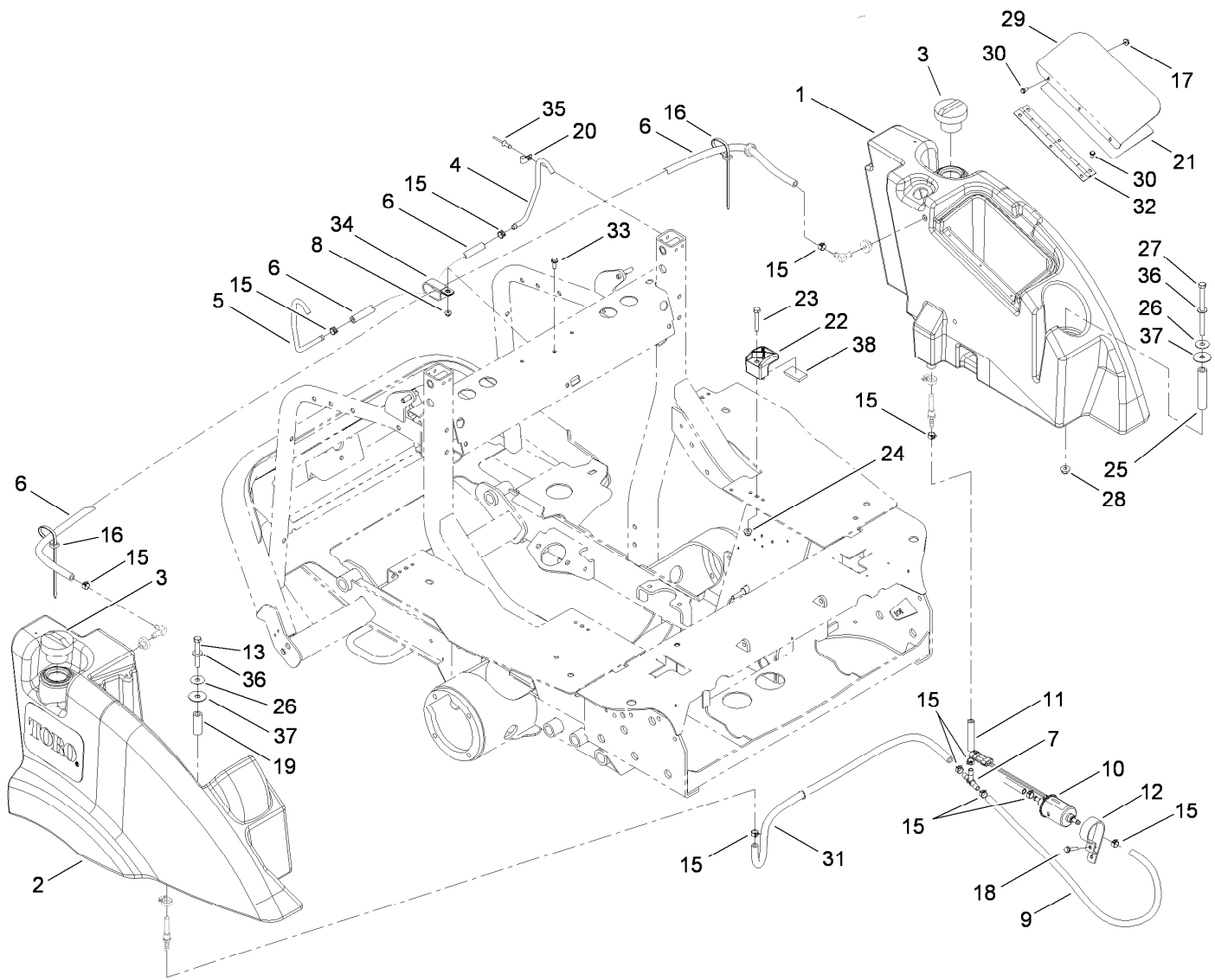
| <i>Ref.</i> | <i>Part Number</i> | <i>Qty.</i> | <i>Description</i> |
|-------------|--------------------|-------------|-------------------------|
| 5 | 119-1796 | 1 | Cable-Battery, Positive |
| 6 | 3231-6 | 1 | Screw-CARR |
| 7 | 105-0040 | 1 | Cable-Battery, Negative |
| 8 | 66-2490 | 1 | Retainer-Battery |
| 9 | 3256-24 | 1 | Washer-Flat |
| 10 | 108-9928 | 1 | Tray-Battery |
| 11 | 106-5187 | 1 | Battery |
| 12 | 3290-378 | 5 | Tie-Cable |



Hood Assembly

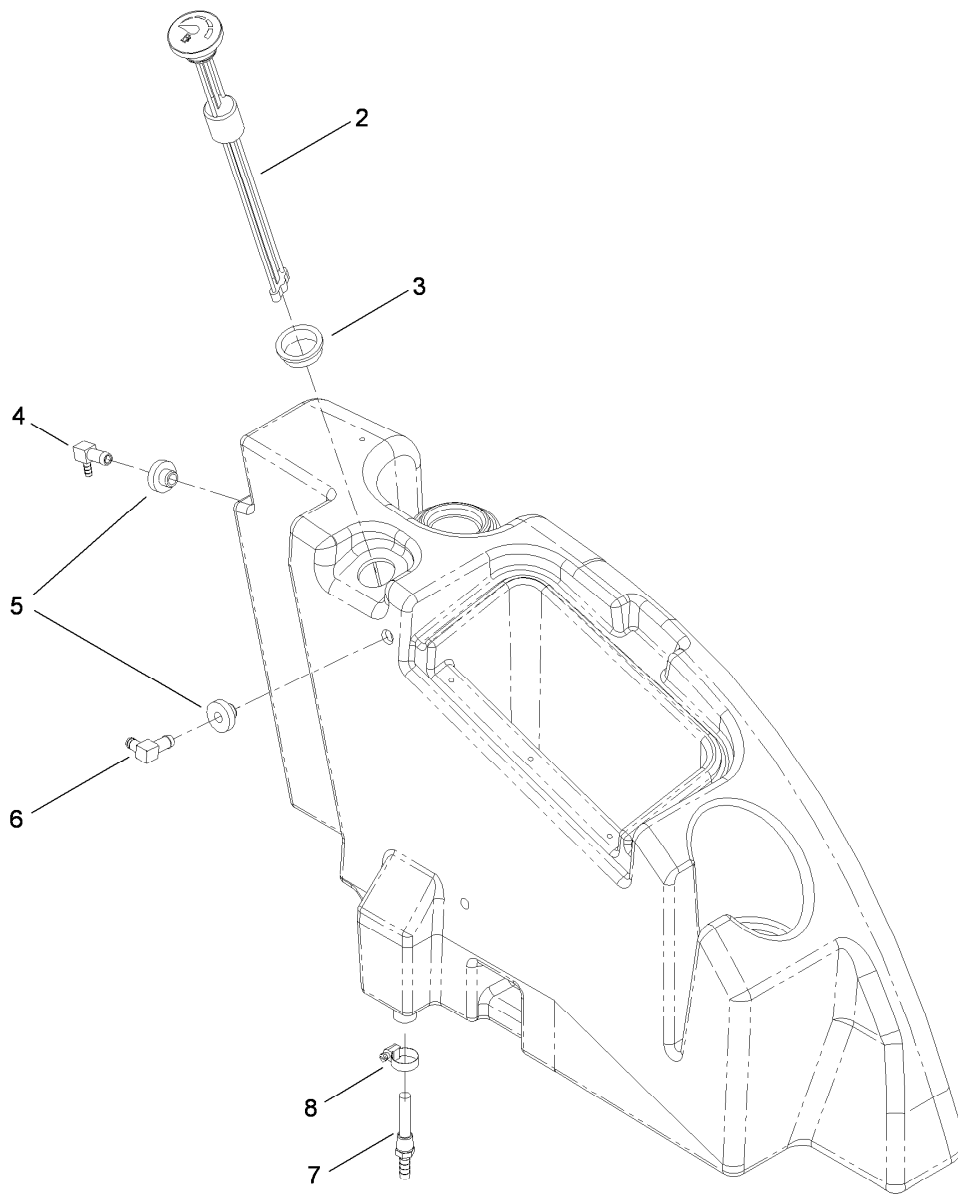
| Ref. | Part Number | Qty. | Description |
|------|-------------|------|------------------|
| 1 | 112-6311 | 1 | Hood ASM |
| 2 | 3256-2 | 4 | Washer-Flat |
| 3 | 103-2898 | 2 | Latch-Rubber |
| 4 | 237-136 | 1 | Grommet |
| 5 | 32104-95 | 2 | Screw-HWH |
| 6 | 3290-255 | 1 | Pin-Cotter, Hair |
| 7 | 115-1446-03 | 1 | Screen-Intake |
| 8 | 110-8291 | 1 | Rod-Prop, Hood |
| 9 | 3272-6 | 1 | Pin-Cotter |
| 10 | 3274-39 | 4 | Screw-HSBH |
| 11 | 3296-2 | 4 | Nut-Lock, NI |
| 12 | 3229-11 | 3 | Screw-CARR |

| Ref. | Part Number | Qty. | Description |
|------|-------------|------|-------------------|
| 13 | 103-2897 | 2 | Latch-Catch |
| 14 | 110-8285-03 | 1 | Angle-Seal |
| 15 | 110-9795 | 1 | Support-Hood |
| 15:2 | 110-9781 | 1 | Decal-Danger |
| 16 | 108-9811 | 1 | Support-Rod, Prop |
| 17 | 110-8287 | 1 | Bulb-Seal |
| 18 | 3234-33 | 8 | Screw-HHF |
| 19 | 104-7201 | 11 | Nut-HF |
| 20 | 110-8288 | 2 | Seal-Foam |
| 21 | 112-1694 | 1 | Seal-Bulb |
| 22 | 114-4899 | 17 | Plug-Plastic |



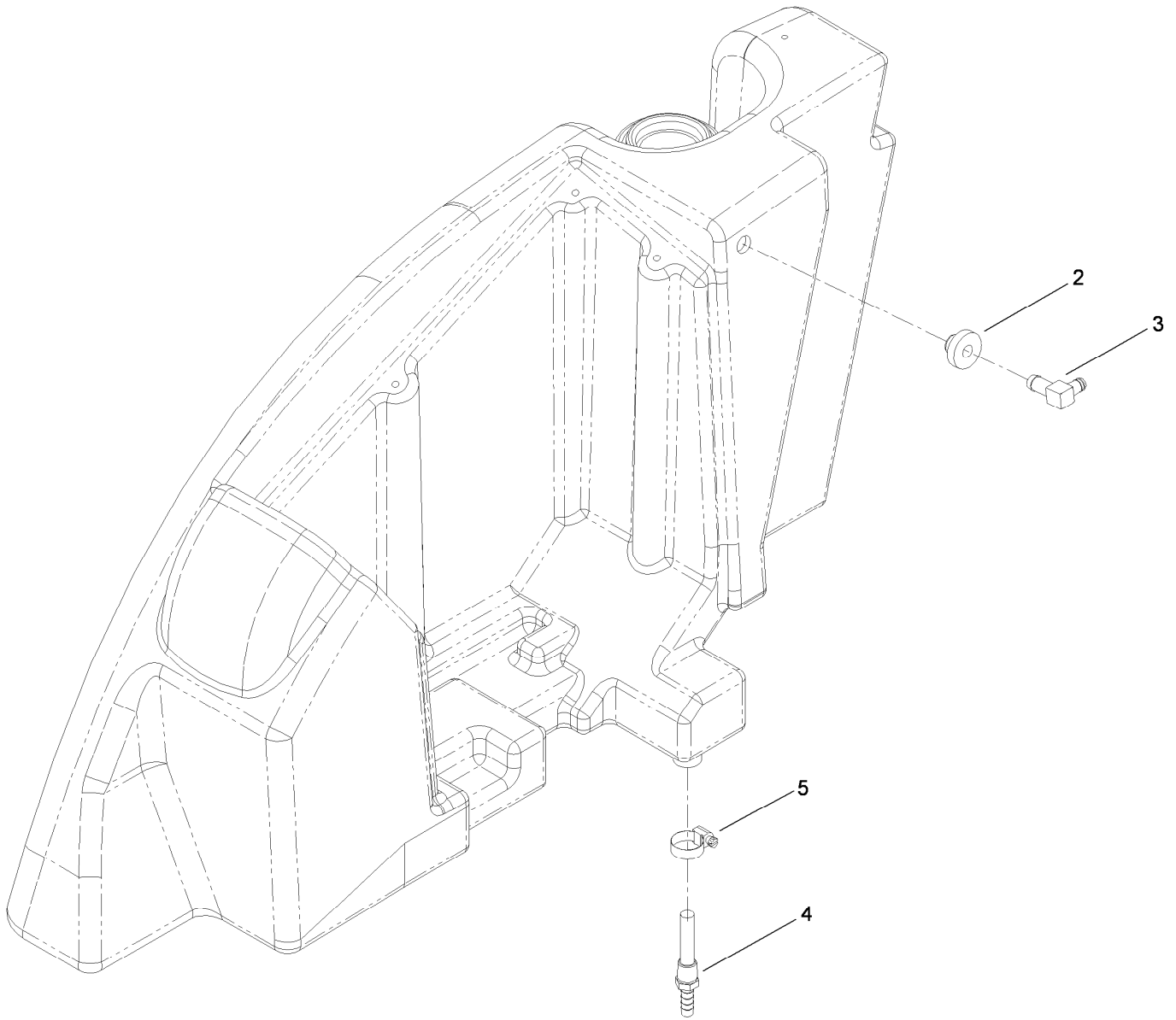
Fuel Tank Assembly

| Ref. | Part Number | Qty. | Description | Ref. | Part Number | Qty. | Description |
|------|-------------|------|--------------------|------|-------------|------|-----------------------------|
| 1 | 110-8230 | 1 | LH Fuel Tank ASM | 21 | 110-8252 | 1 | Decal-Instructions, Service |
| 2 | 110-8236 | 1 | RH Fuel Tank ASM | 22 | 107-4543 | 4 | Clamp |
| 3 | 115-5305 | 2 | Cap-Fuel | 23 | 322-10 | 4 | Screw-HH |
| 4 | 110-8261 | 1 | Tube-Vent, LH | 24 | 104-8300 | 4 | Nut-Flange, NI |
| 5 | 110-8260 | 1 | Tube-Vent, RH | 25 | 110-5539 | 1 | Spacer |
| 6 | 110-6186 | 2 | Hose-Fuel | 26 | 105-6814 | 2 | Washer-Plain |
| 7 | 354-107 | 1 | Fitting-HYD, Tee | 27 | 323-39 | 1 | Screw-HH |
| 8 | 104-7201 | 1 | Nut-HF | 28 | 104-8301 | 2 | Nut-Flange, NI |
| 9 | 110-4113 | 1 | Hose-Fuel | 29 | 110-5540-03 | 1 | Cover-Toolbox |
| 10 | 110-8806 | 1 | Pump-Fuel | 30 | 112-6349 | 6 | Screw-HWH |
| 11 | 112-6388 | 1 | Hose-Fuel | 31 | 109-0309 | 1 | Hose-Fuel |
| 12 | 110-8817 | 1 | Bracket-Pump, Fuel | 32 | 108-2024 | 1 | Hinge |
| 13 | 323-13 | 1 | Screw-HH | 33 | 3229-11 | 1 | Screw-CARR |
| 15 | 92-2379 | 11 | Clamp-Hose | 34 | 92-5753 | 1 | Clamp-Hose |
| 16 | 3290-378 | 2 | Tie-Cable | 35 | 3290-412 | 2 | Rivet |
| 17 | 32149-8 | 3 | Nut-Keps | 36 | 3256-24 | 2 | Washer-Flat |
| 18 | 32144-110 | 1 | Screw-HWH | 37 | 95-1905 | 2 | Washer-Rubber |
| 19 | 92-1239 | 1 | Spacer-Support | 38 | 112-9561 | 4 | Pad-Foam |
| 20 | 2412-89 | 2 | Clamp-R | | | | |



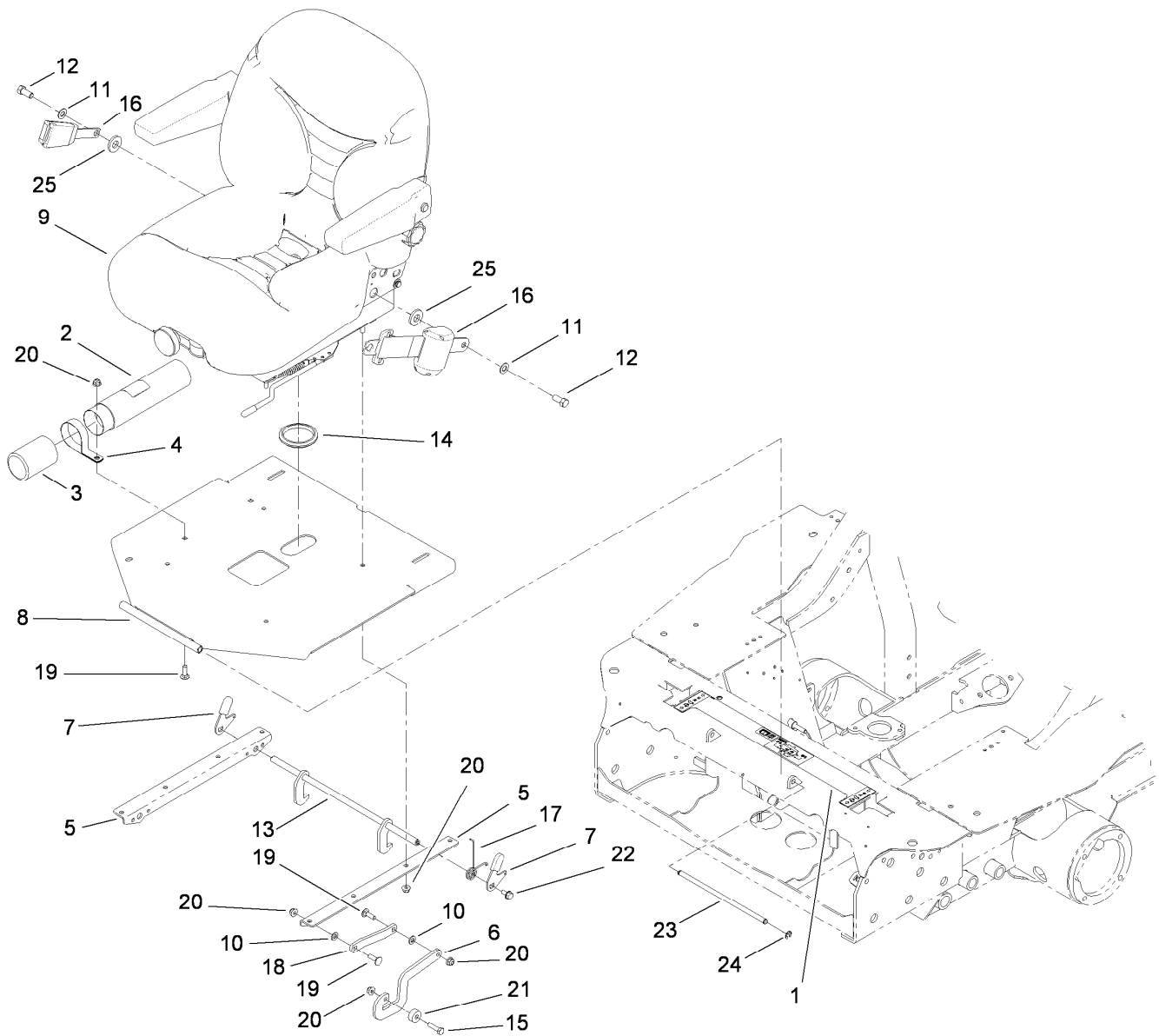
LH Fuel Tank Assembly No. 110-8230

| <i>Ref.</i> | <i>Part Number</i> | <i>Qty.</i> | <i>Description</i> |
|-------------|--------------------|-------------|-----------------------|
| 2 | 110-8262 | 1 | Gauge-Fuel |
| 3 | 95-8972 | 1 | Grommet |
| 4 | 104-5228 | 1 | Fitting-Elbow, 90 DEG |
| 5 | 46-6560 | 2 | Bushing |
| 6 | 1-643259 | 1 | Fitting-Elbow |
| 7 | 112-6374 | 1 | Fitting-Strainer |
| 8 | 2412-36 | 1 | Clamp-Hose |



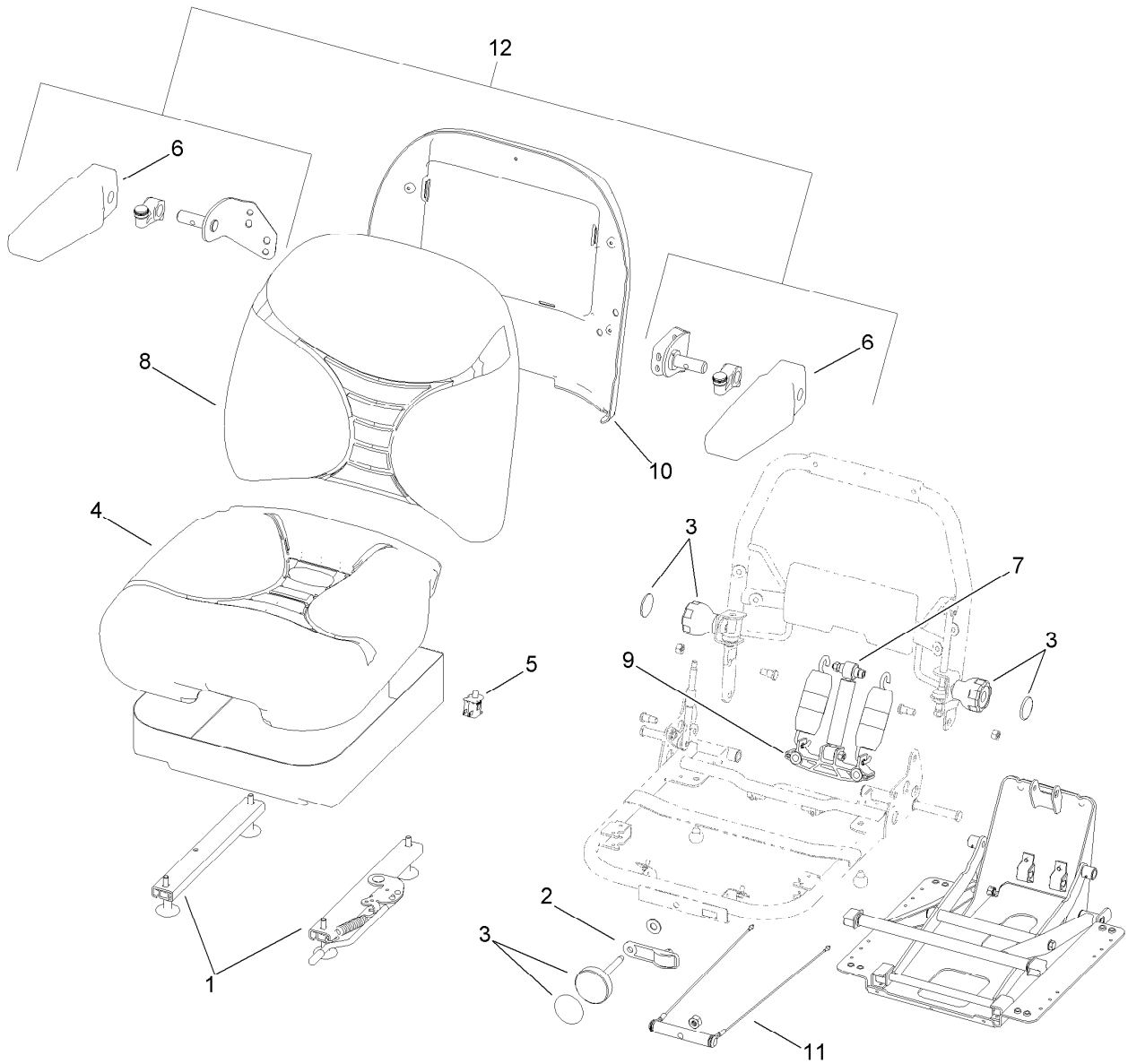
RH Fuel Tank Assembly No. 110-8236

| <i>Ref.</i> | <i>Part Number</i> | <i>Qty.</i> | <i>Description</i> |
|-------------|--------------------|-------------|--------------------|
| 2 | 46-6560 | 1 | Bushing |
| 3 | 1-643259 | 1 | Fitting-Elbow |
| 4 | 112-6374 | 1 | Fitting-Strainer |
| 5 | 2412-36 | 1 | Clamp-Hose |



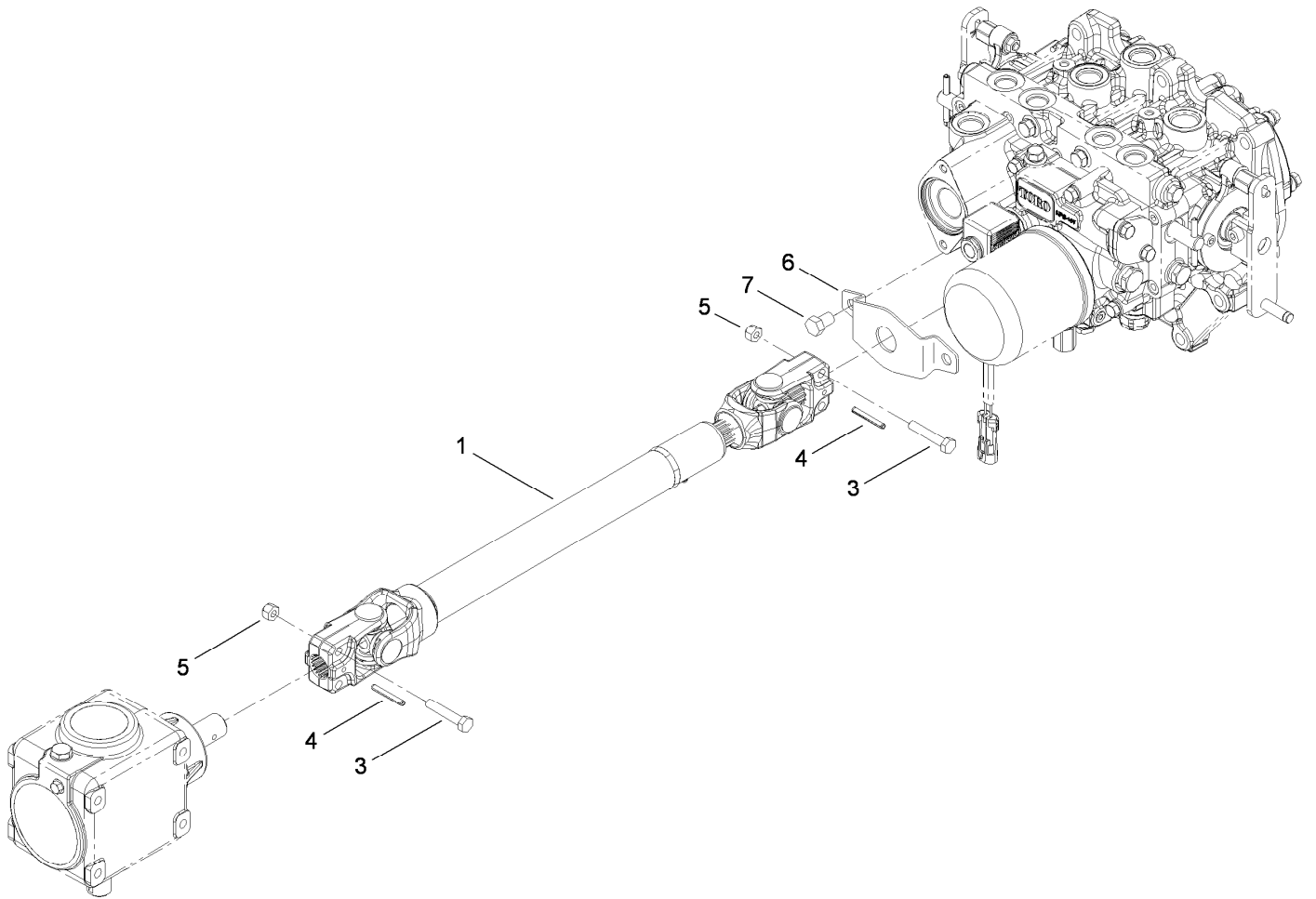
Seat Assembly

| Ref. | Part Number | Qty. | Description | Ref. | Part Number | Qty. | Description |
|------|-------------|------|------------------|------|-------------|------|----------------------|
| 1 | 110-9774 | 1 | Decal-Safety | 14 | 237-164 | 1 | Grommet |
| 2 | 104-7050 | 1 | Tube-Manual | 15 | 322-6 | 1 | Screw-HH |
| 3 | 104-7048 | 1 | Cap-Housing | 16 | 110-0413 | 1 | Seatbelt-Retractable |
| 4 | 2412-133 | 2 | R-Clamp | 17 | 106-4048 | 1 | Spring-Torsion |
| 5 | 108-5238-03 | 2 | Angle-Latch | 18 | 110-5513 | 1 | Link-Seat |
| 6 | 110-5512 | 1 | Lever-Stop, Seat | 19 | 3230-2 | 4 | Bolt-CARR |
| 7 | 108-5243 | 2 | Lever-Latch | 20 | 104-8300 | 9 | Nut-Flange, NI |
| 8 | 107-2272-03 | 1 | Plate-Seat | 21 | 104-1429 | 1 | Spacer-Plain |
| 9 | 107-2286 | 1 | Seat ASM | 22 | 32144-14 | 2 | Screw-HWHTF |
| 10 | 3256-23 | 2 | Washer-Flat | 23 | 112-1686 | 1 | Pin-Clevis |
| 11 | 3256-25 | 2 | Washer-Flat | 24 | 105-7004 | 2 | E-Ring |
| 12 | 3212-4 | 2 | Screw-HH | 25 | 99-7667 | 2 | Washer-Flat |
| 13 | 108-5240 | 1 | Latch ASM | | | | |



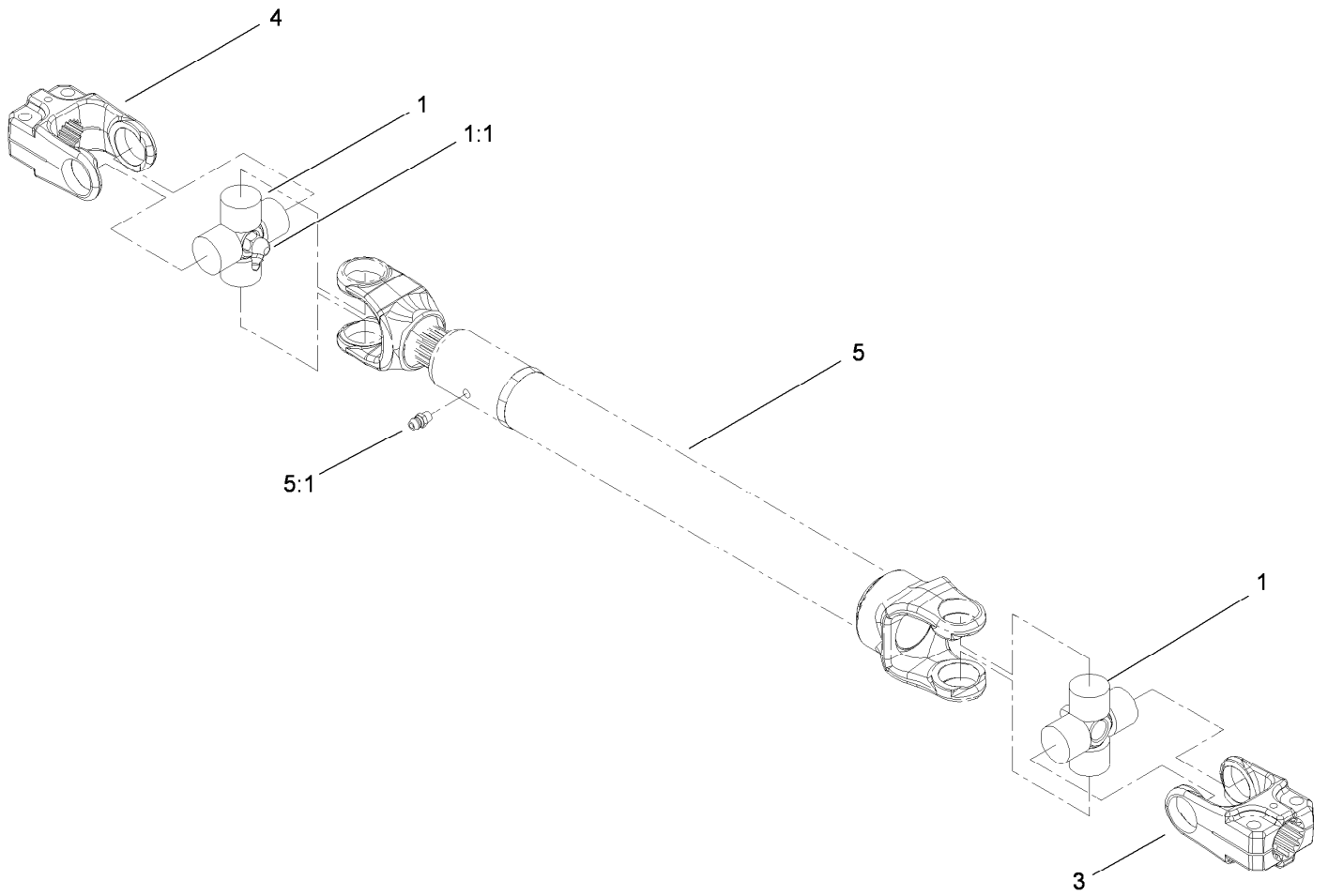
Seat Assembly No. 107-2286

| <i>Ref.</i> | <i>Part Number</i> | <i>Qty.</i> | <i>Description</i> |
|-------------|--------------------|-------------|-----------------------|
| 1 | 107-1880 | 1 | Seat Track Kit |
| 2 | 107-1885 | 1 | Weight Indicator Kit |
| 3 | 107-1881 | 1 | Knob Kit |
| 4 | 107-1883 | 1 | Bottom Cushion Kit |
| 5 | 82-2190 | 1 | Switch-Bail |
| 6 | 107-1887 | 2 | Pad-Armrest |
| 7 | 107-1884 | 1 | Shock Absorber Kit |
| 8 | 107-1882 | 1 | Back Cushion Kit |
| 9 | 109-3343 | 1 | Spring And Saddle Kit |
| 10 | 109-3344 | 1 | Back Panel Kit |
| 11 | 109-3345 | 1 | Weight Adjust Kit |
| 12 | 121-9415 | 1 | Armrest Kit |



Driveshaft Assembly

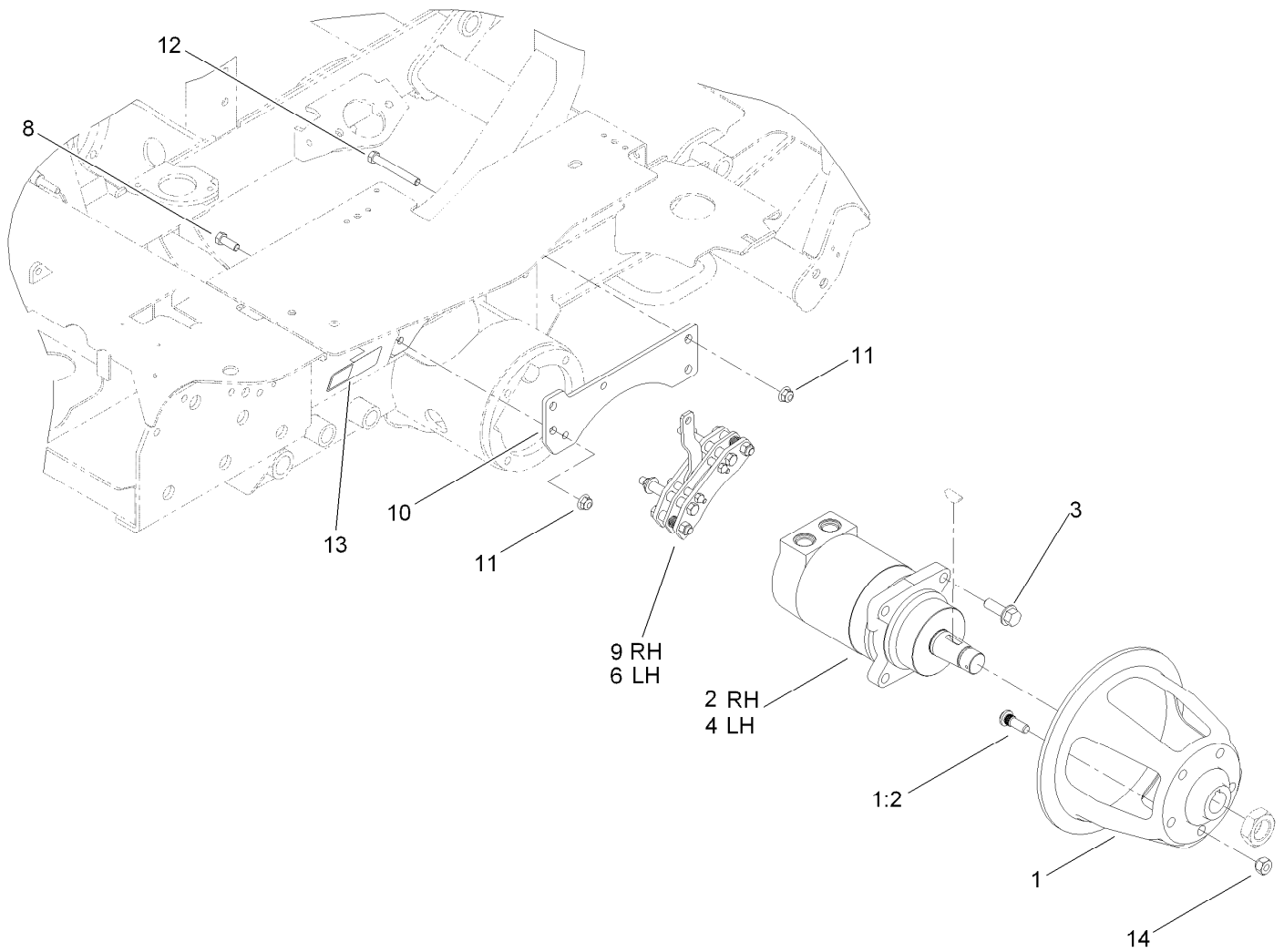
| <i>Ref.</i> | <i>Part Number</i> | <i>Qty.</i> | <i>Description</i> |
|-------------|--------------------|-------------|--------------------|
| 1 | 110-3575 | 1 | Driveshaft ASM |
| 3 | 322-9 | 4 | Screw-HH |
| 4 | 32121-34 | 2 | Pin-Roll |
| 5 | 3296-29 | 4 | Nut-Lock, NI |
| 6 | 114-4088 | 1 | Shield-Seal |
| 7 | 33115-016 | 2 | Screw-HH |



Driveshaft Assembly No. 110-3575

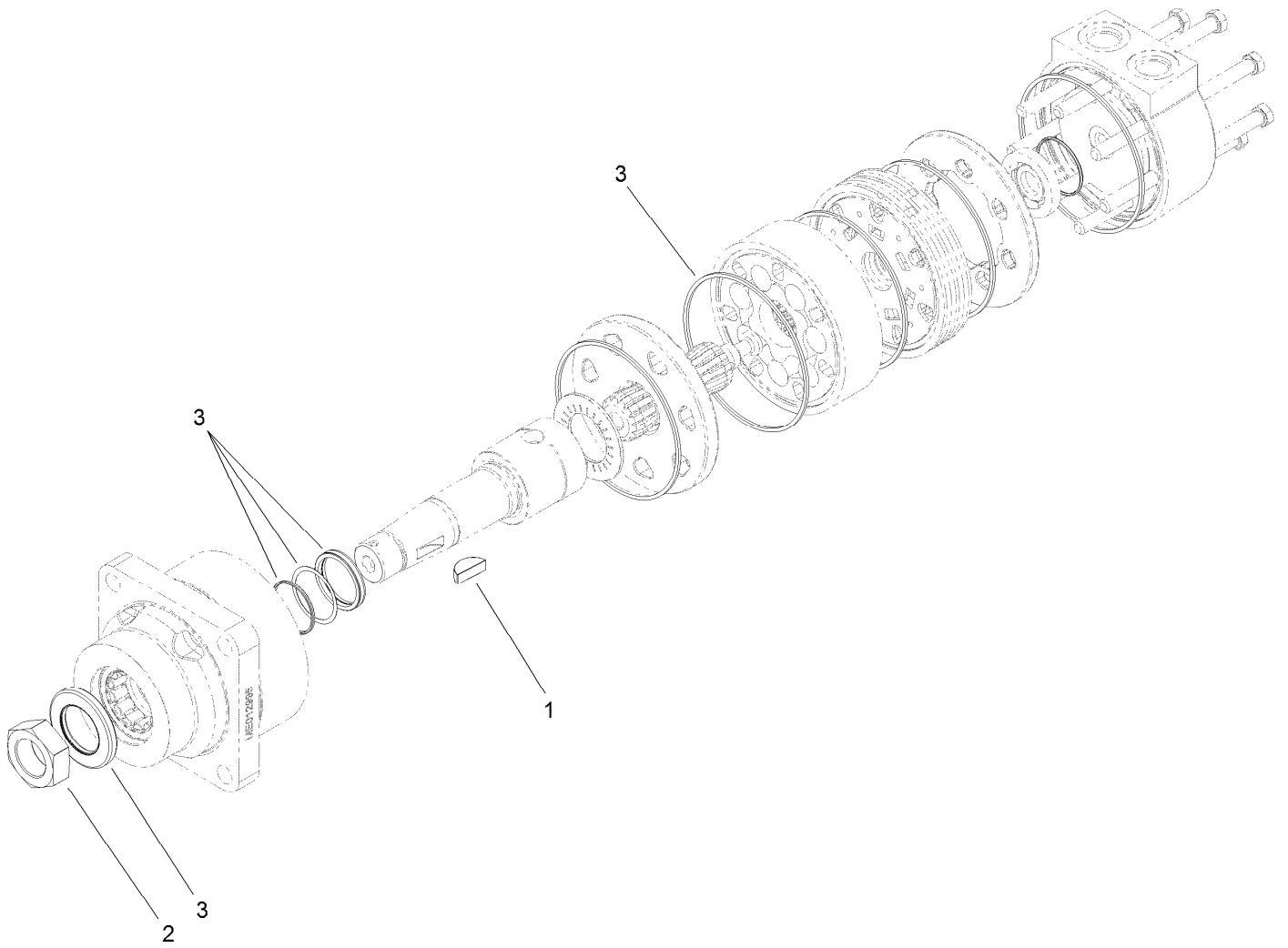
| <i>Ref.</i> | <i>Part Number</i> | <i>Qty.</i> | <i>Description</i> |
|-------------|--------------------|-------------|-----------------------|
| 1 | 112-1687 | 2 | Cross And Bearing Kit |
| 1:1 | 62-3820 | 1 | Fitting-Grease |
| 3 | 54-9040 | 1 | Yoke-End |
| 4 | 54-9090 | 1 | Yoke-End |
| 5 | | 1 | Tube-Yoke, Slip ● |
| 5:1 | 302-22 | 1 | Fitting-Grease |

● Not serviced separately



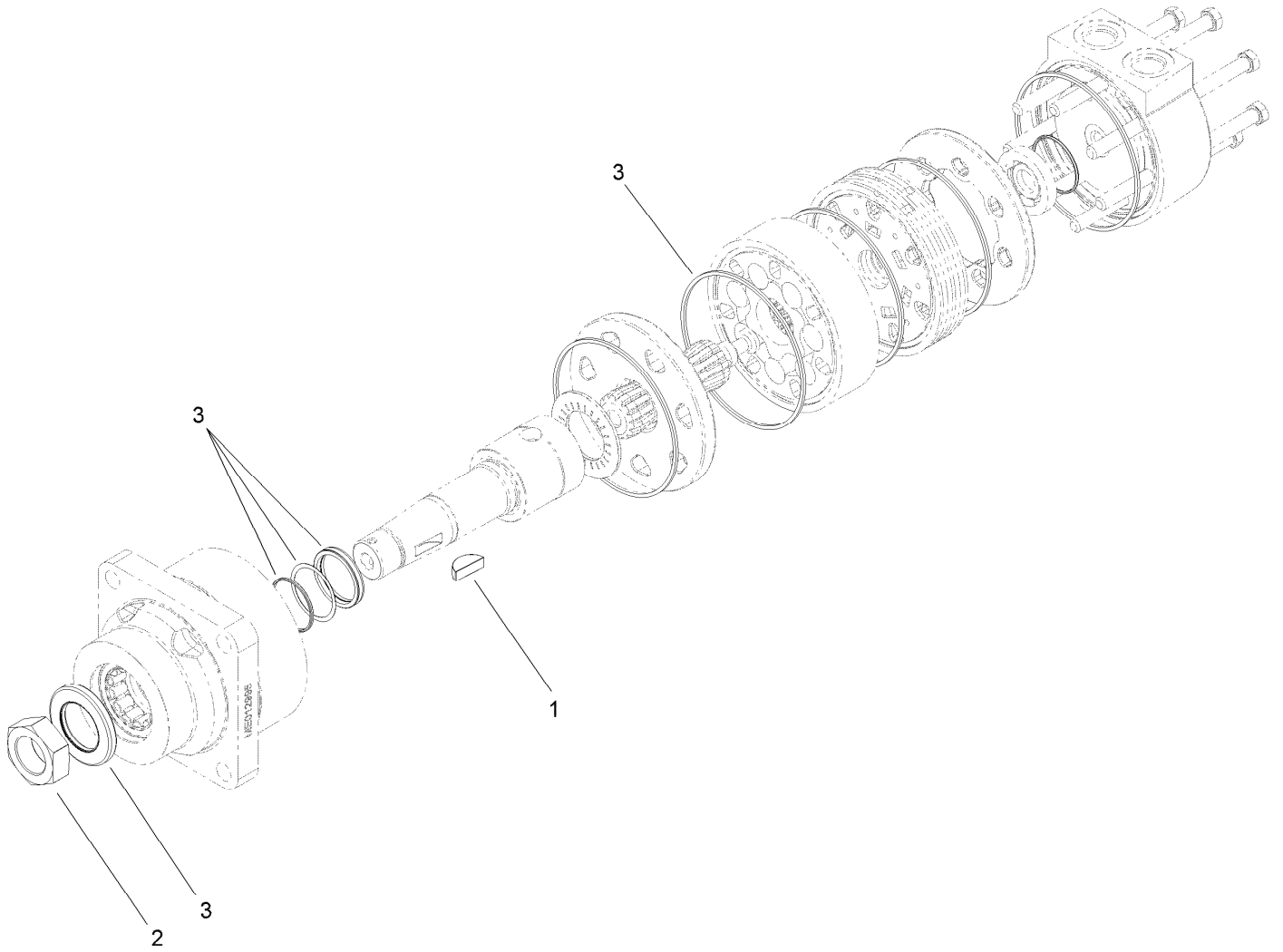
Rear Drive Assembly

| Ref. | Part Number | Qty. | Description |
|------|-------------|------|----------------------|
| 1 | 110-5535 | 2 | Wheel Hub ASM |
| 1:2 | 87-8730 | 5 | Stud |
| 2 | 108-5230 | 1 | RH HYD Motor ASM |
| 3 | 100-6116 | 8 | Screw-HHF |
| 4 | 108-5155 | 1 | LH HYD Motor ASM |
| 6 | 120-0013 | 1 | LH Brake Caliper ASM |
| 8 | 323-6 | 4 | Screw-HH |
| 9 | 120-0014 | 1 | RH Brake Caliper ASM |
| 10 | 112-9550-03 | 2 | Bracket-Brake |
| 11 | 104-8301 | 8 | Nut-Flange, NI |
| 12 | 323-14 | 4 | Screw-HH |
| 13 | 106-9206 | 2 | Decal-Torque, Wheel |
| 14 | 23-7270 | 10 | Nut-Wheel |



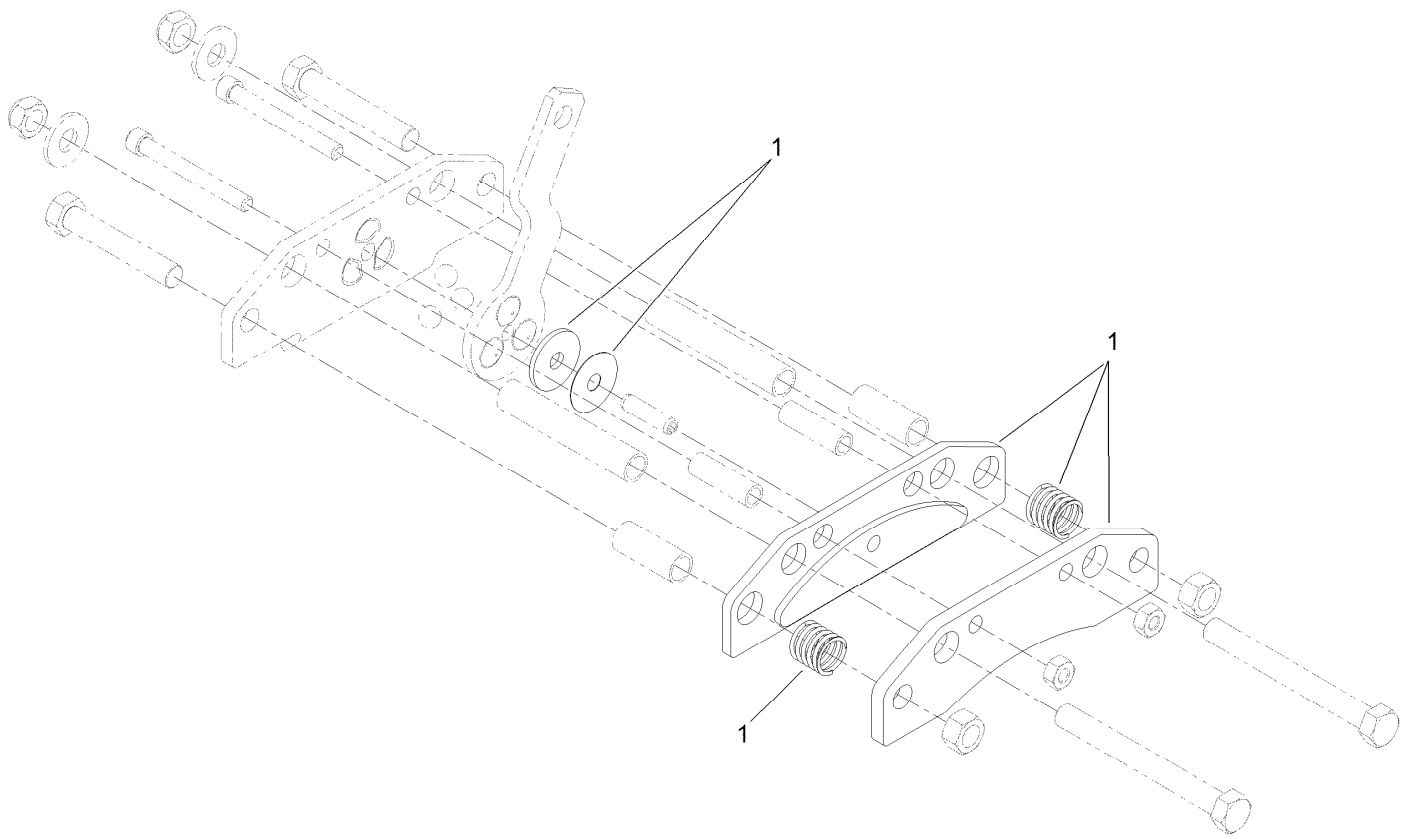
Hydraulic Motor Assembly No. 108-5230

| <i>Ref.</i> | <i>Part Number</i> | <i>Qty.</i> | <i>Description</i> |
|-------------|--------------------|-------------|--------------------|
| 1 | 3257-42 | 1 | Key-Woodruff |
| 2 | 107-9319 | 1 | Nut-Hex |
| 3 | 112-8405 | 1 | Seal Kit |



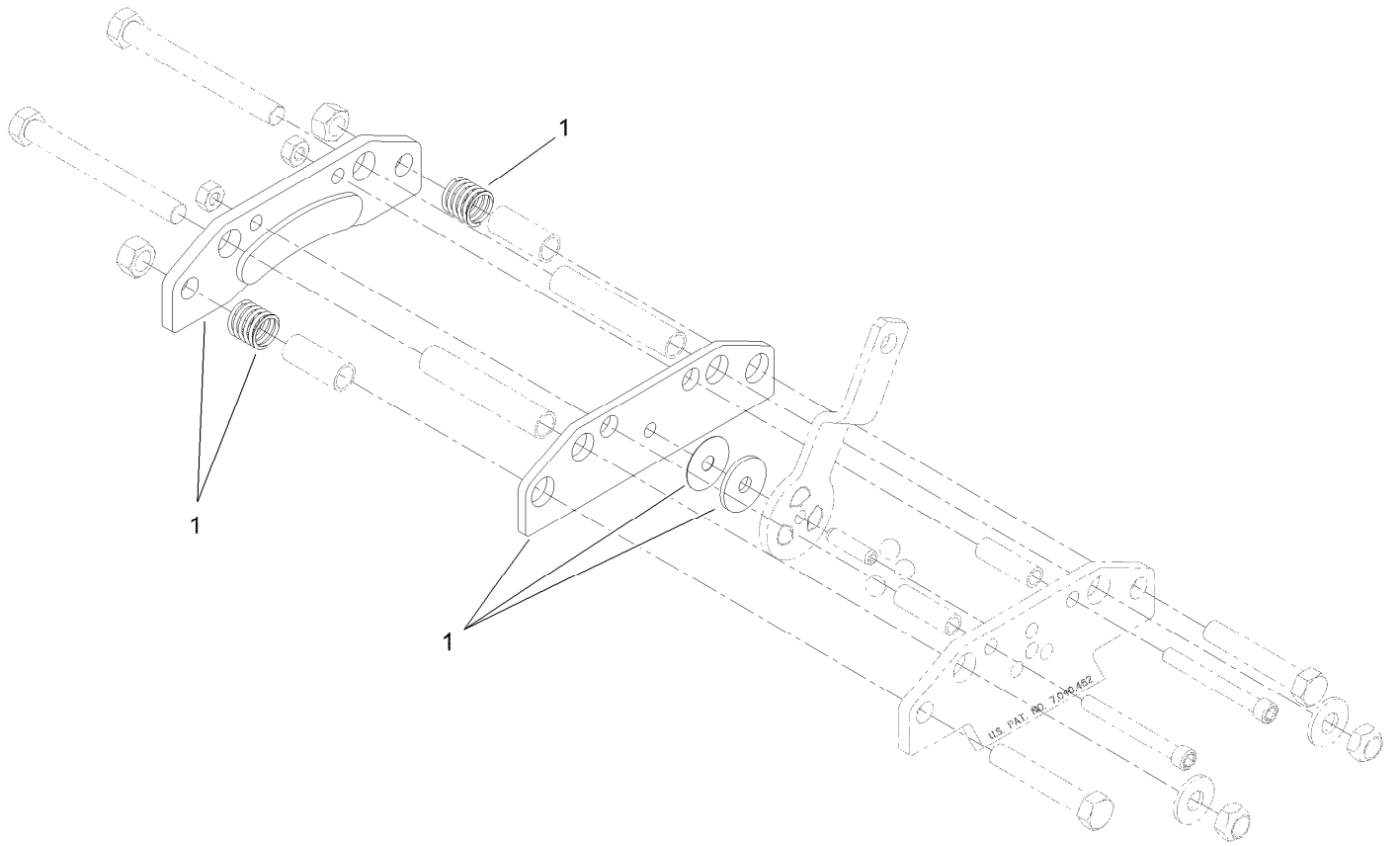
Hydraulic Motor Assembly No. 108-5155

| <i>Ref.</i> | <i>Part Number</i> | <i>Qty.</i> | <i>Description</i> |
|-------------|--------------------|-------------|--------------------|
| 1 | 3257-42 | 1 | Key-Woodruff |
| 2 | 107-9319 | 1 | Nut-Hex |
| 3 | 112-8405 | 1 | Seal Kit |



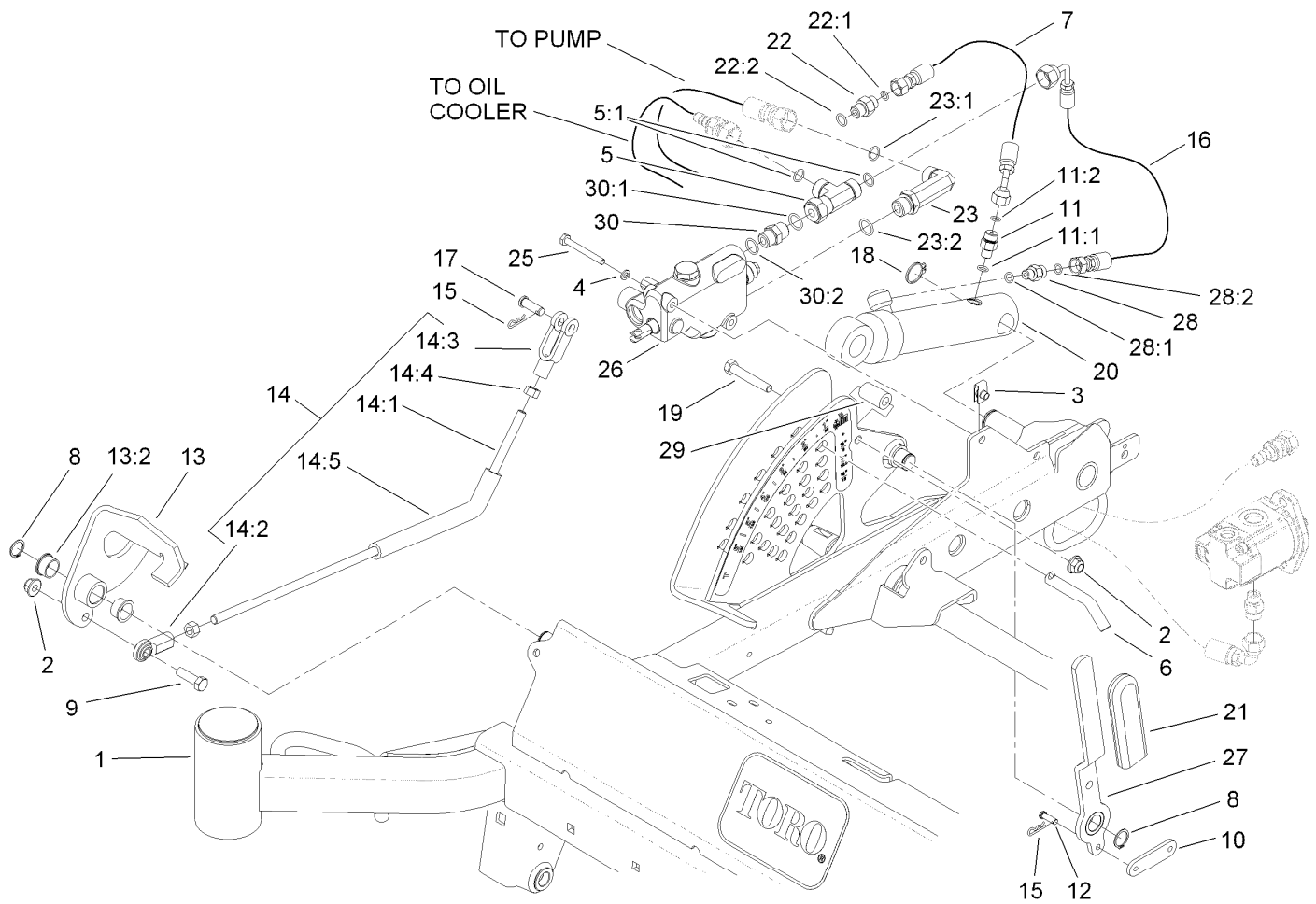
LH Brake Caliper Assembly No. 120-0013

| <i>Ref.</i> | <i>Part Number</i> | <i>Qty.</i> | <i>Description</i> |
|-------------|--------------------|-------------|-----------------------------------|
| 1 | 120-0015 | 1 | Replacement Brake Pad Service Kit |



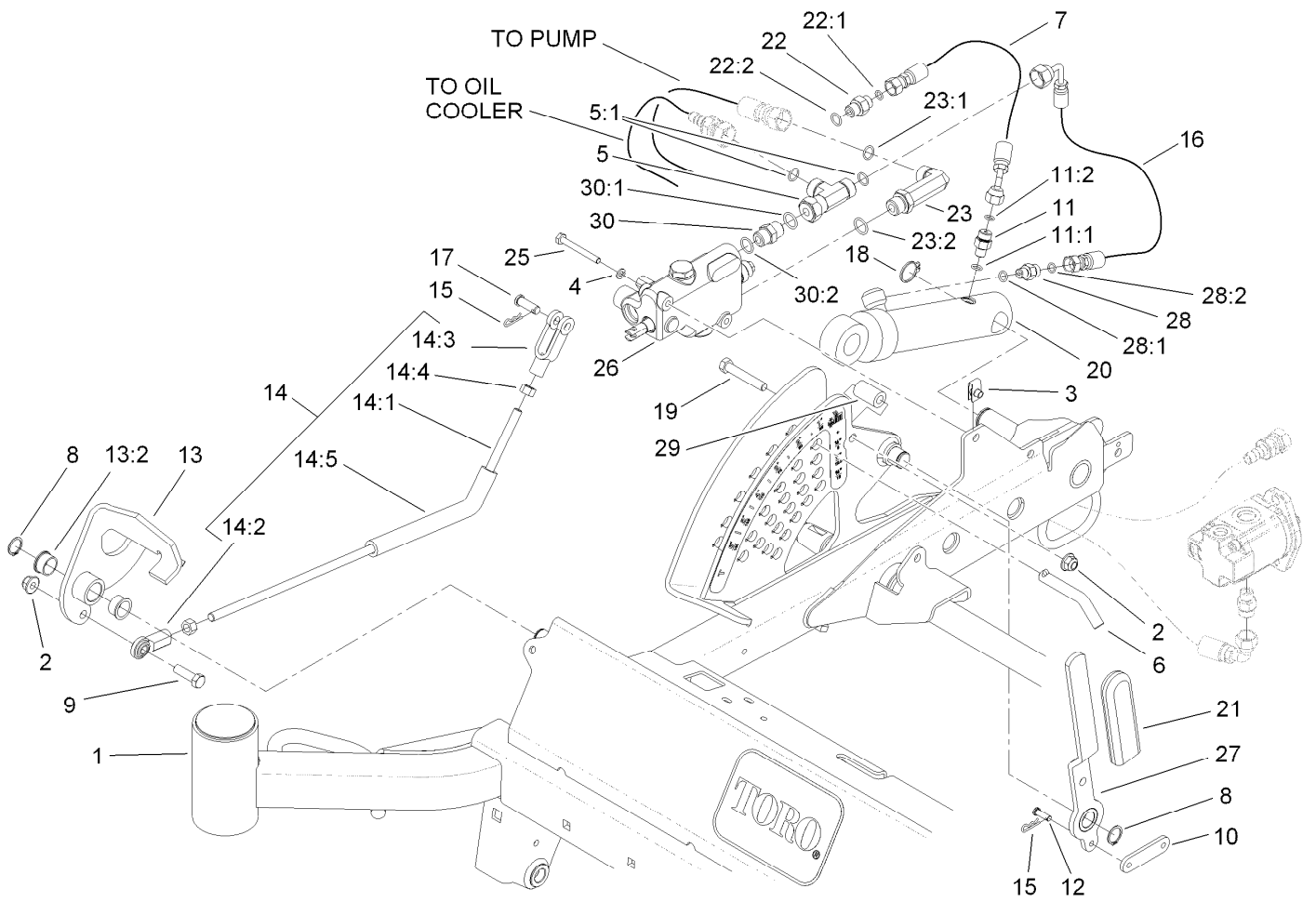
RH Brake Caliper Assembly No. 120-0014

| <i>Ref.</i> | <i>Part Number</i> | <i>Qty.</i> | <i>Description</i> |
|-------------|--------------------|-------------|-----------------------------------|
| 1 | 120-0015 | 1 | Replacement Brake Pad Service Kit |



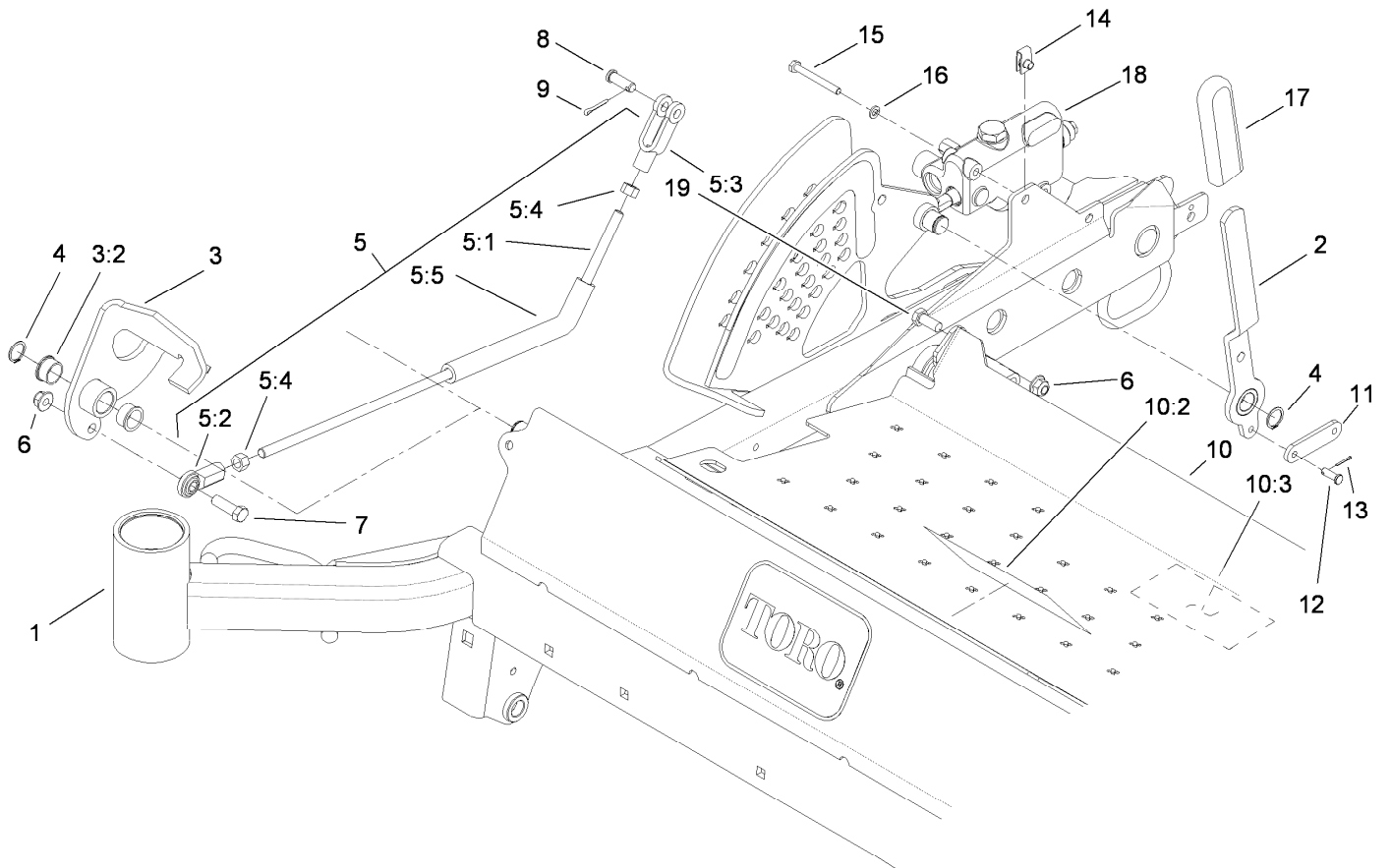
Carrier Frame and Valve Assembly

| Ref. | Part Number | Qty. | Description | Ref. | Part Number | Qty. | Description |
|------|-------------|------|-----------------------|------|-------------|------|---------------------------------|
| 1 | 114-4087 | 1 | Carrier Frame Kit ASM | 14:4 | 3219-3 | 2 | Nut-Hex |
| 2 | 104-8301 | 2 | Nut-Flange, NI | 14:5 | 114-4041 | 1 | Hose-Foam |
| 3 | 107069 | 2 | Clip | 15 | 3290-307 | 3 | Pin-Hair |
| 4 | 3253-3 | 2 | Washer-Lock | 16 | 117-9236 | 1 | Hose ASM |
| 5 | 340-104 | 1 | Tee-Fitting | 17 | 283-2 | 1 | Pin-Clevis |
| 5:1 | 237-30 | 2 | O-Ring | 18 | 32151-36 | 1 | Ring-Retaining |
| 6 | 112-9544 | 1 | Pin-HOC | 19 | 323-11 | 1 | Screw-HH |
| 7 | 110-8966 | 1 | Hose ASM | 20 | 110-9834 | 1 | HYD Cylinder ASM |
| 8 | 32120-72 | 2 | Ring-Snap | 21 | 1-633268 | 1 | Grip-Lever |
| 9 | 323-7 | 1 | Screw-HH | 22 | 340-1 | 1 | Fitting-HYD, Straight (Adapter) |
| 10 | 114-4042 | 1 | Link | 22:1 | 237-21 | 1 | O-Ring |
| 11 | 95-1639 | 1 | Fitting-HYD | 22:2 | 237-42 | 1 | O-Ring |
| 11:1 | 237-78 | 1 | O-Ring | 23 | 99-6160 | 1 | Fitting-Elbow, 90 DEG |
| 11:2 | 237-21 | 1 | O-Ring | 23:1 | 237-30 | 1 | O-Ring |
| 12 | 1-808265 | 2 | Pin-Clevis | 23:2 | 237-79 | 1 | O-Ring |
| 13 | 112-9534 | 1 | Pedal ASM | 25 | 321-18 | 2 | Screw-HH |
| 13:2 | 256-252 | 2 | Bearing-Flange | 26 | 117-9235 | 1 | Valve ASM |
| 14 | 112-9539 | 1 | Link ASM | 27 | 114-4027-03 | 1 | Lever ASM |
| 14:1 | 112-9535 | 1 | Rod-Threaded | 28 | 340-92 | 1 | Fitting-HYD, Straight |
| 14:2 | 103-0608 | 1 | Joint-Ball, End | 28:1 | 237-78 | 1 | O-Ring |
| 14:3 | 1-633131 | 1 | Yoke-Linkage, Brake | | | | |



Carrier Frame and Valve Assembly (continued)

| <i>Ref.</i> | <i>Part Number</i> | <i>Qty.</i> | <i>Description</i> | <i>Ref.</i> | <i>Part Number</i> | <i>Qty.</i> | <i>Description</i> |
|-------------|--------------------|-------------|-----------------------|-------------|--------------------|-------------|--------------------|
| 28:2 | 237-21 | 1 | O-Ring | 30:1 | 237-30 | 1 | O-Ring |
| 29 | 115-1425 | 1 | Spacer | 30:2 | 237-79 | 1 | O-Ring |
| 30 | 340-4 | 1 | Fitting-HYD, Straight | | | | |

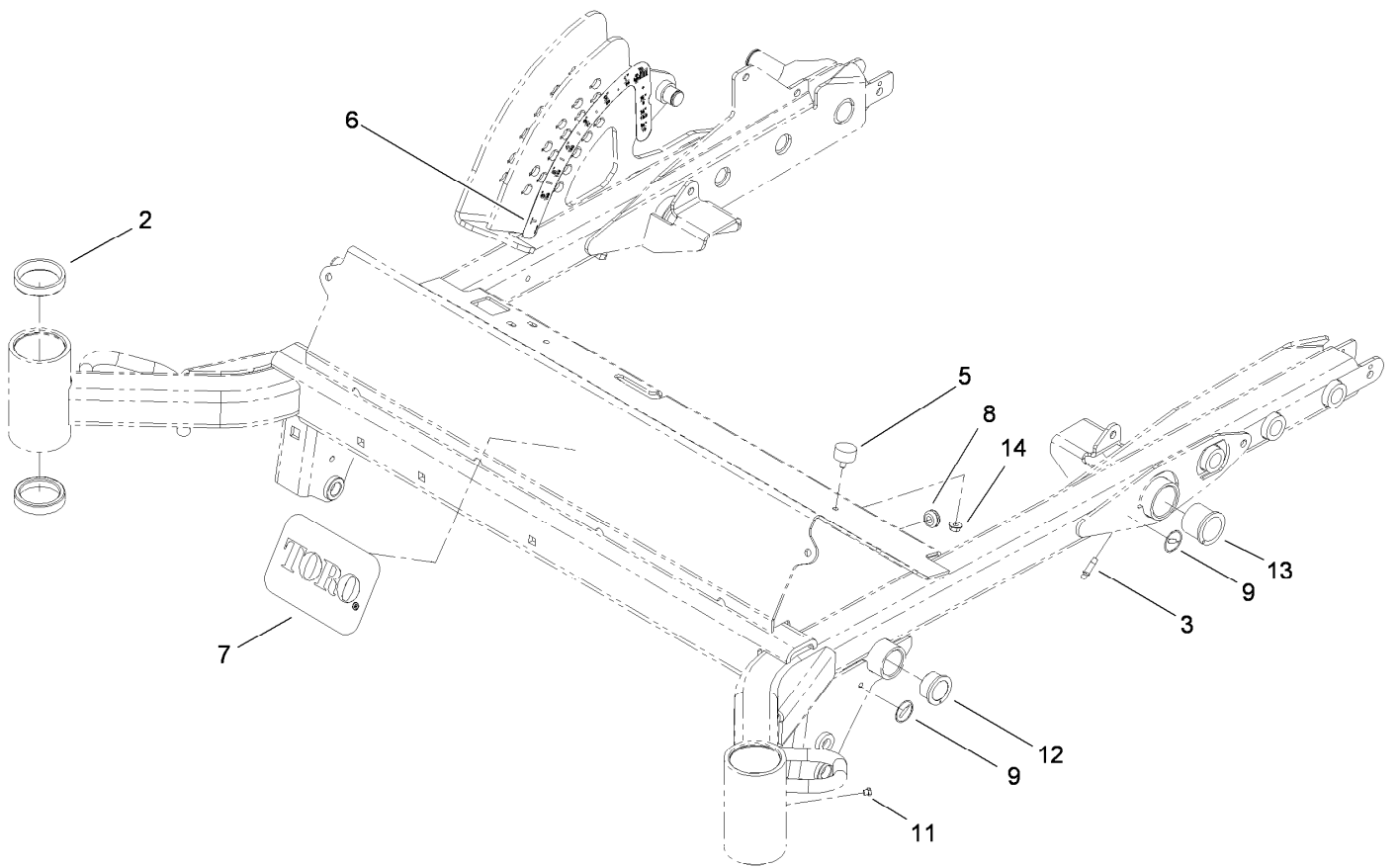


Carrier Frame Kit Assembly No. 114-4087

| Ref. | Part Number | Qty. | Description |
|------|-------------|------|---------------------|
| 1 | | 1 | Carrier Frame ASM ● |
| 2 | 114-4027-03 | 1 | Lever ASM |
| 3 | 112-9534 | 1 | Pedal ASM |
| 3:2 | 256-252 | 2 | Bearing-Flange |
| 4 | 32120-72 | 2 | Ring-Snap |
| 5 | 112-9539 | 1 | Link ASM |
| 5:1 | 112-9535 | 1 | Rod-Threaded |
| 5:2 | 103-0608 | 1 | Joint-Ball, End |
| 5:3 | 1-633131 | 1 | Yoke-Linkage, Brake |
| 5:4 | 3219-3 | 2 | Nut-Hex |
| 5:5 | 114-4041 | 1 | Hose-Foam |
| 6 | 104-8301 | 3 | Nut-Flange, NI |
| 7 | 323-7 | 1 | Screw-HH |
| 8 | 283-2 | 1 | Pin-Clevis |

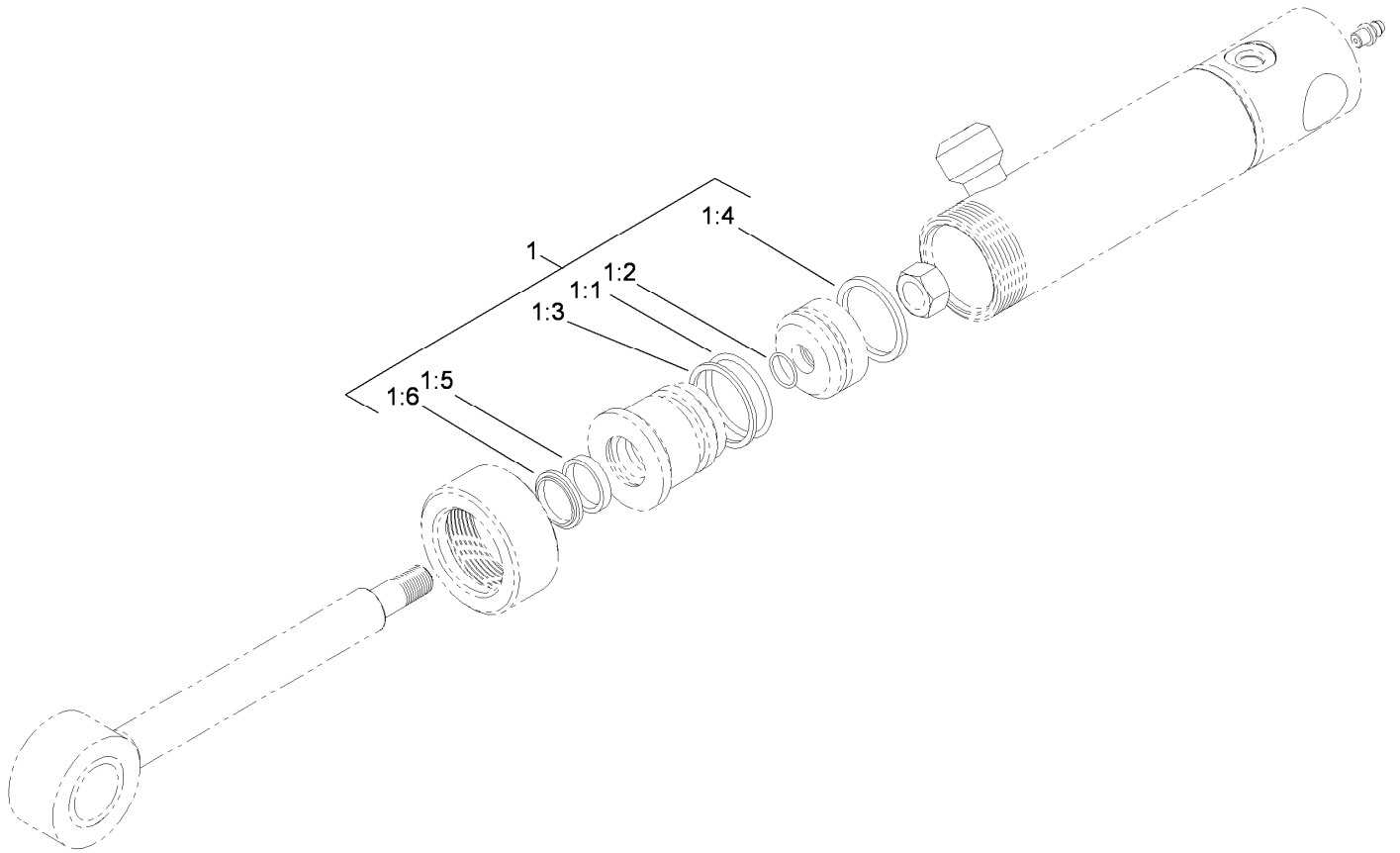
| Ref. | Part Number | Qty. | Description |
|------|-------------|------|---------------------|
| 9 | 3272-10 | 1 | Pin-Cotter |
| 10 | 114-4048 | 1 | Floor Plate ASM |
| 10:2 | 107-1866 | 1 | Decal-Danger, Slope |
| 10:3 | 112-1461 | 1 | Decal-Routing, Belt |
| 11 | 114-4042 | 1 | Link |
| 12 | 1-808265 | 2 | Pin-Clevis |
| 13 | 3272-1 | 2 | Pin-Cotter |
| 14 | 107069 | 2 | Clip |
| 15 | 321-18 | 2 | Screw-HH |
| 16 | 3253-3 | 2 | Washer-Lock |
| 17 | 1-633268 | 1 | Grip-Lever |
| 18 | 117-9235 | 1 | Valve ASM |
| 19 | 323-5 | 2 | Screw-HH |

● Not serviced separately



Carrier Frame Assembly

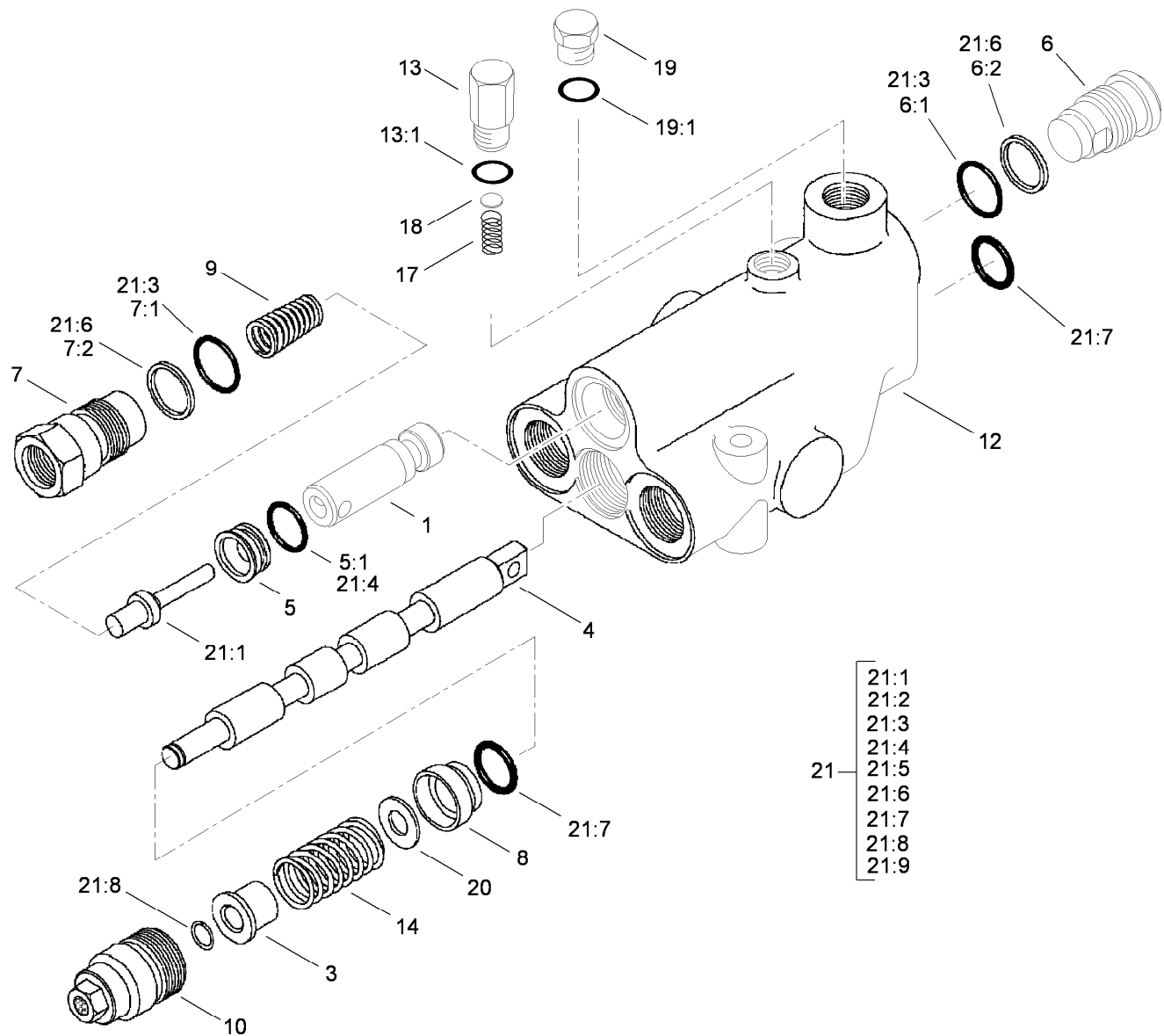
| Ref. | Part Number | Qty. | Description |
|-------------|--------------------|-------------|----------------------|
| 2 | 254-107 | 4 | Cup-Bearing, Tapered |
| 3 | 302-64 | 2 | Fitting-Grease |
| 5 | 240-14 | 4 | Bumper-Rubber |
| 6 | 112-1620 | 1 | Decal-HOC |
| 7 | 99-4693 | 1 | Decal |
| 8 | 237-141 | 1 | Grommet-Rubber |
| 9 | 58-6520 | 4 | Decal-Grease |
| 11 | 1-811010 | 2 | Plug |
| 12 | 94-7574 | 2 | Bushing-Flanged |
| 13 | 256-268 | 2 | Bushing |
| 14 | 104-7201 | 4 | Nut-HF |



Hydraulic Cylinder Assembly No. 110-9834

| <i>Ref.</i> | <i>Part Number</i> | <i>Qty.</i> | <i>Description</i> |
|-------------|--------------------|-------------|--------------------|
| 1 | 112-6353 | 1 | Seal Kit |
| 1:1 | | 1 | O-Ring ● |
| 1:2 | | 1 | O-Ring ● |
| 1:3 | | 1 | Backup ● |
| 1:4 | | 1 | Seal-Bp ● |
| 1:5 | | 1 | Seal-Rod ● |
| 1:6 | | 1 | Seal-Dust ● |

● Not serviced separately

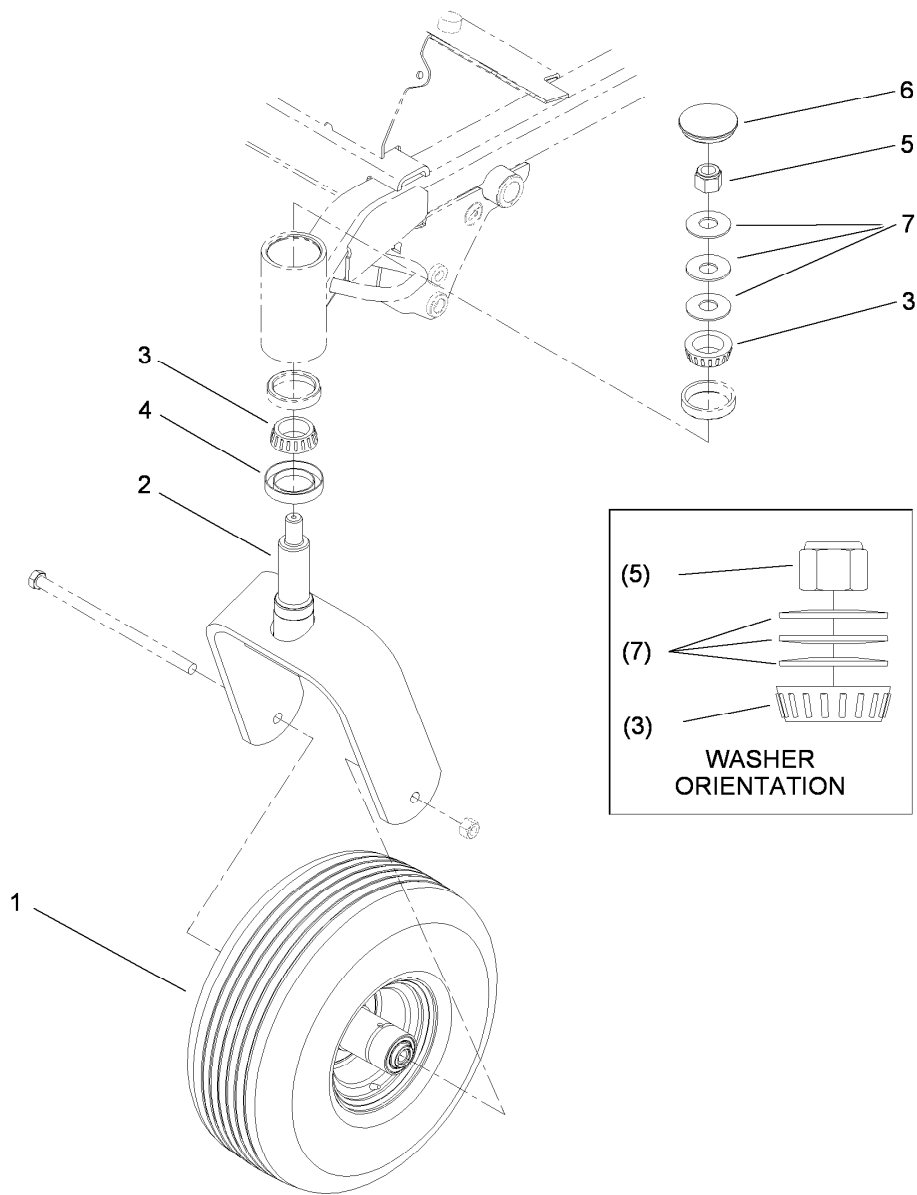


Hydraulic Valve Assembly No. 117-9235

| Ref. | Part Number | Qty. | Description | Ref. | Part Number | Qty. | Description |
|------|-------------|------|-------------|------|-------------|------|----------------|
| 1 | 99-3586 | 1 | Plunger | 14 | 99-3531 | 1 | Spring |
| 3 | 58-6310 | 1 | Spacer | 17 | 58-6760 | 1 | Spring |
| 4 | | 1 | Spool ■ | 18 | 60-6450 | 1 | Disc |
| 5 | 58-6330 | 1 | Seat | 19 | 58-6710 | 1 | Plug |
| 5:1 | 58-6340 | 1 | O-Ring | 19:1 | 58-6720 | 1 | O-Ring |
| 6 | 58-6350 | 1 | Plug | 20 | 65-2770 | 1 | Washer |
| 6:1 | 60-5720 | 1 | O-Ring | 21 | 99-3589 | 1 | Seal Kit ● |
| 6:2 | 58-6370 | 1 | Washer | 21:1 | 58-6290 | 2 | Poppet |
| 7 | 69-1800 | 1 | Plug ASM | 21:2 | 58-6320 | 1 | Wiper |
| 7:1 | 60-5720 | 1 | O-Ring | 21:3 | 60-5720 | 2 | O-Ring |
| 7:2 | 58-6370 | 1 | Washer | 21:4 | 58-6340 | 2 | O-Ring |
| 8 | 58-6400 | 1 | Bushing | 21:5 | 93-6314 | 1 | O-Ring |
| 9 | 69-1810 | 1 | Spring | 21:6 | 58-6370 | 2 | Washer |
| 10 | 58-6420 | 1 | Cap | 21:7 | 58-6450 | 2 | O-Ring |
| 12 | | 1 | Body ■ | 21:8 | 58-6460 | 1 | Ring-Retaining |
| 13 | 58-6780 | 1 | Plug | 21:9 | | 1 | O-Ring ■ |
| 13:1 | 58-6790 | 1 | O-Ring | | | | |

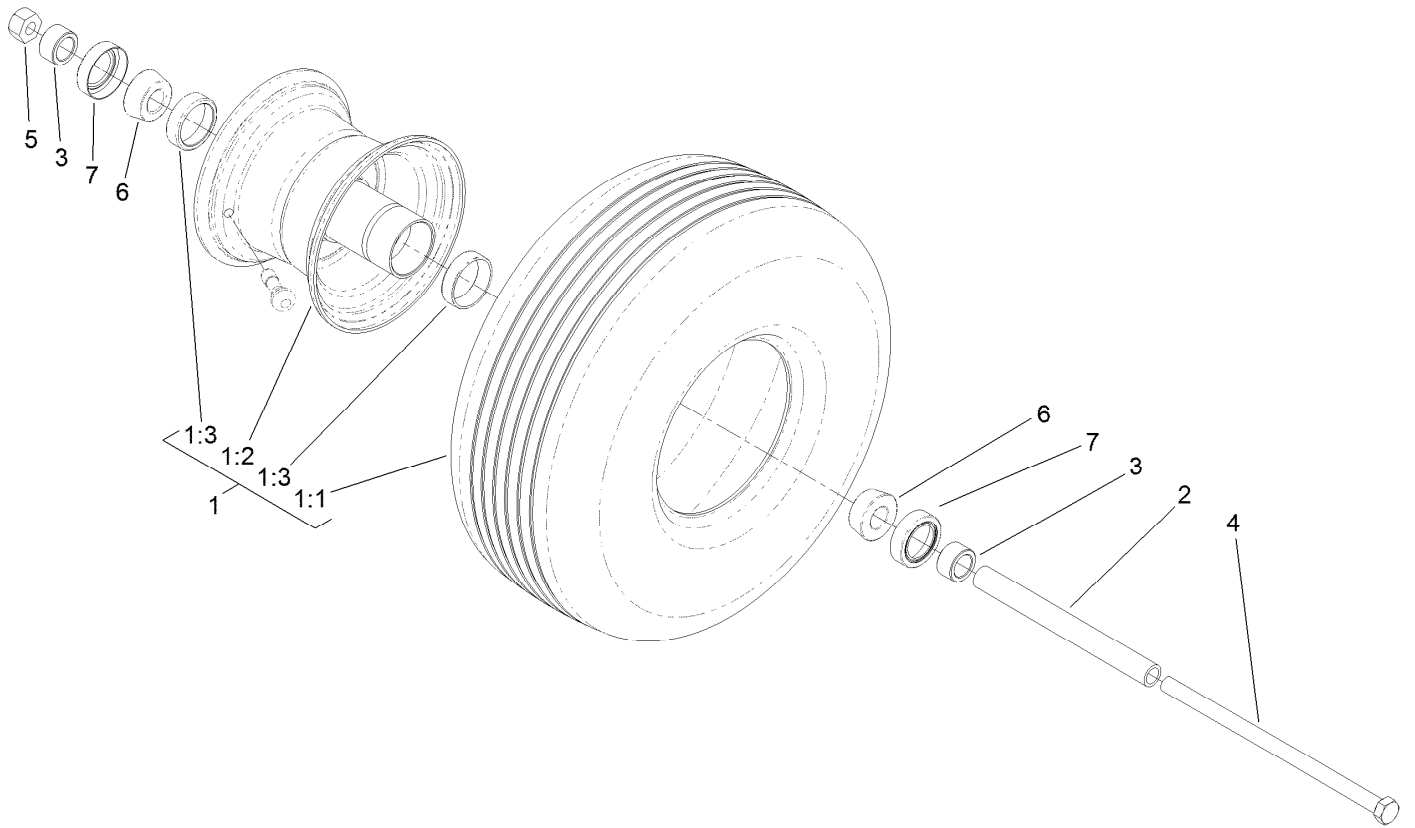
● Not illustrated

■ Not serviced separately



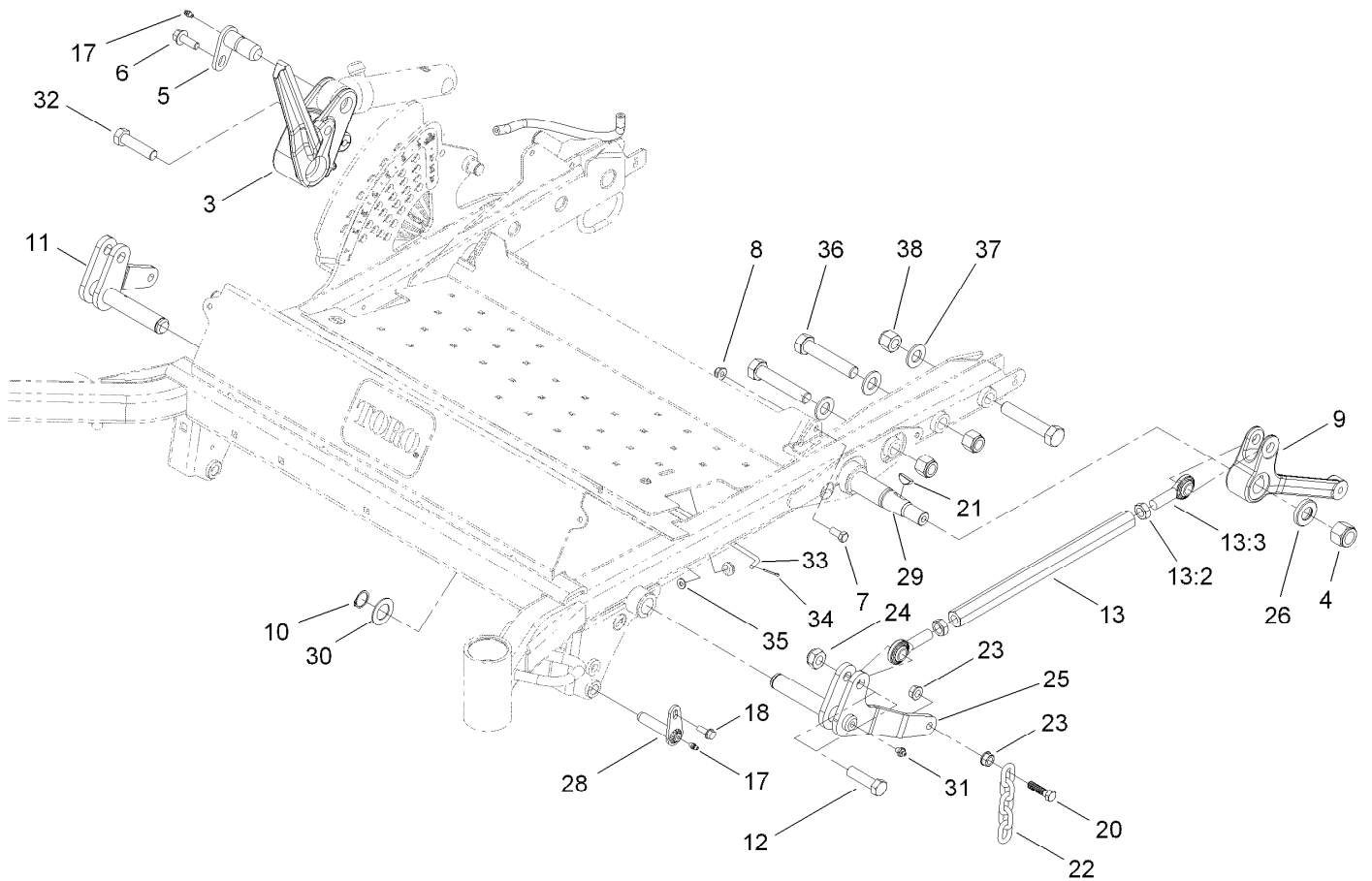
Caster Fork Assembly

| <i>Ref.</i> | <i>Part Number</i> | <i>Qty.</i> | <i>Description</i> |
|-------------|--------------------|-------------|-----------------------|
| 1 | 108-9954 | 2 | Caster Wheel ASM |
| 2 | 108-9946-03 | 2 | Fork-Caster |
| 3 | 254-106 | 4 | Cone-Bearing, Tapered |
| 4 | 69-2980 | 2 | Seal |
| 5 | 3296-51 | 2 | Nut-Lock, NI |
| 6 | 108-9950 | 2 | Cap-Grease |
| 7 | 108-9957 | 6 | Washer-Belleville |



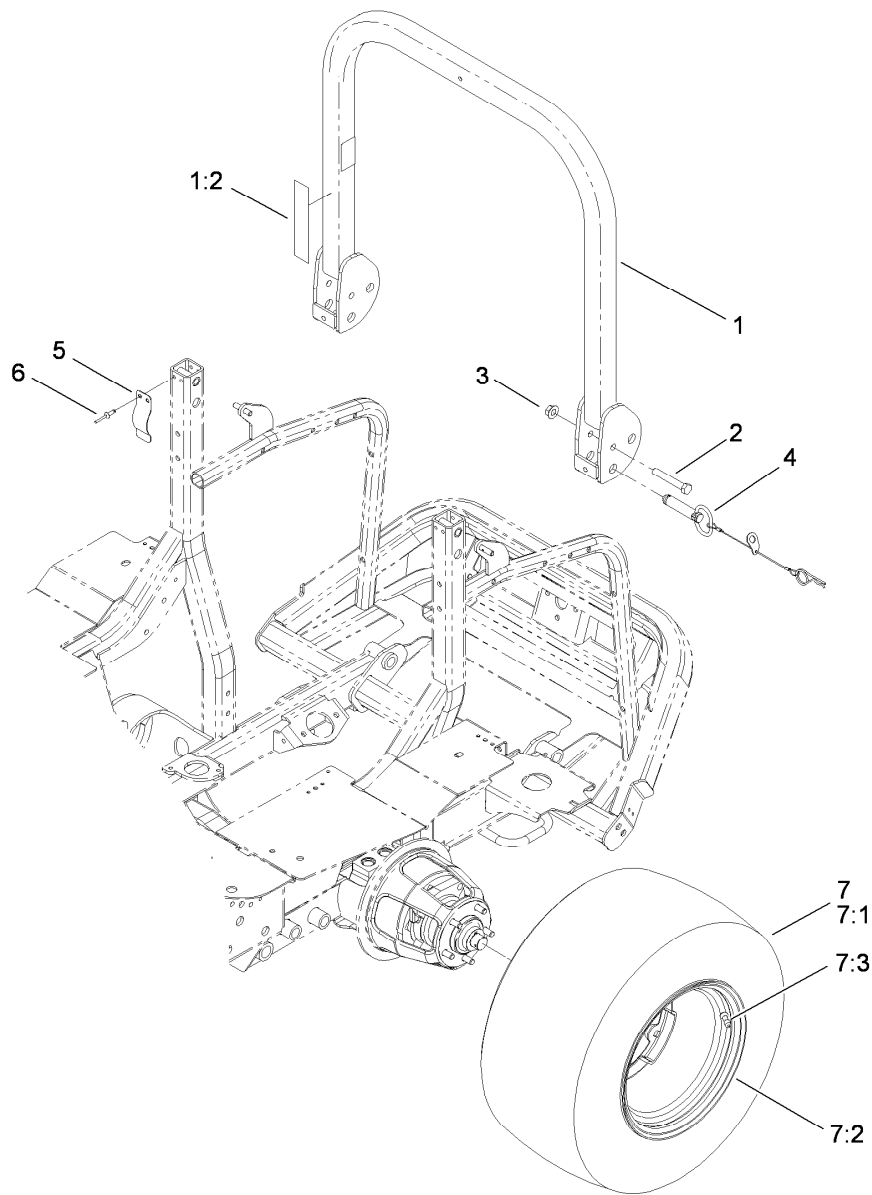
Caster Wheel Assembly No. 108-9954

| Ref. | Part Number | Qty. | Description |
|------|-------------|------|----------------------|
| 1 | 108-9956 | 1 | Tire And Wheel ASM |
| 1:1 | 108-9955 | 1 | Tire |
| 1:2 | 1-633987 | 1 | Wheel |
| 1:3 | 1-633584 | 2 | Bearing-Cup |
| 2 | 1-633959 | 1 | Spacer-Caster, Front |
| 3 | 1-633581 | 2 | Spacer-Bearing |
| 4 | 325-39 | 1 | Screw-HH |
| 5 | 3296-25 | 1 | Nut-Lock, NI |
| 6 | 1-633585 | 2 | Bearing-Cone, Taper |
| 7 | 1-633580 | 2 | Seal-Bearing |



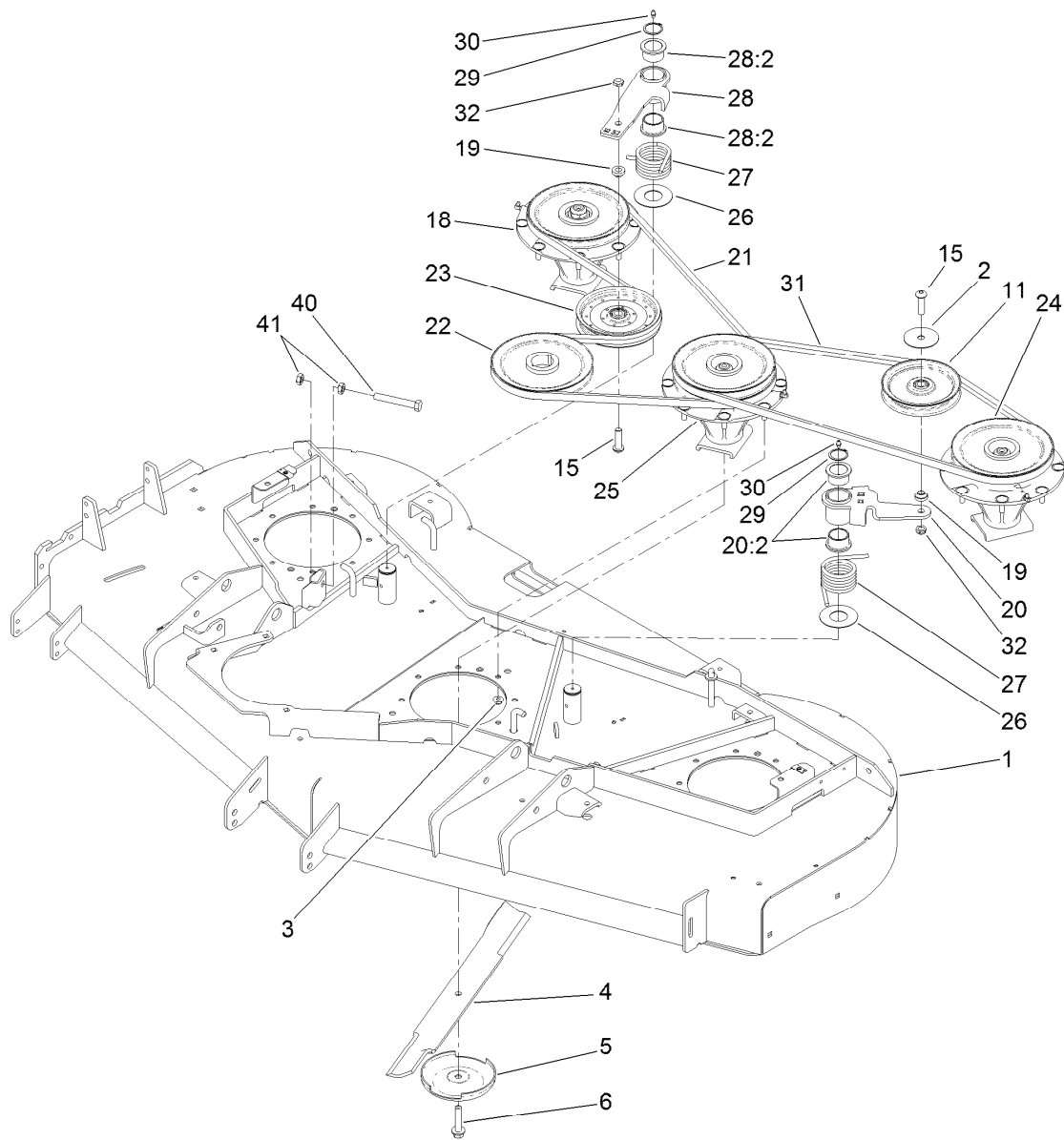
Deck Linkage Assembly

| Ref. | Part Number | Qty. | Description | Ref. | Part Number | Qty. | Description |
|------|-------------|------|---------------------|------|-------------|------|------------------|
| 3 | 112-1635 | 1 | Arm-Lift, RH | 22 | 1-633447 | 4 | Chain-Lift, Deck |
| 4 | 94-8000 | 2 | Nut-Hex | 23 | 32128-37 | 6 | Nut-HF |
| 5 | 98-2654 | 1 | Pivot Pin ASM | 24 | 3296-61 | 3 | Nut-Lock |
| 6 | 3234-15 | 1 | Screw-HHF | 25 | 110-9818-03 | 1 | LH Lift ASM |
| 7 | 323-5 | 2 | Screw-HH | 26 | 112-9585 | 2 | Washer-Hardened |
| 8 | 104-8301 | 2 | Nut-Flange, NI | 28 | 112-1602 | 2 | Pin-Retainer |
| 9 | 112-1637 | 1 | Arm-Lift, LH | 29 | 112-9522-03 | 1 | Shaft-Lift, Deck |
| 10 | 32151-29 | 2 | Ring-Retaining | 30 | 69-9010 | 2 | Washer |
| 11 | 110-9820-03 | 1 | RH Lift ASM | 31 | 302-2 | 2 | Fitting-Grease |
| 12 | 327-22 | 3 | Screw-HH | 32 | 327-7 | 1 | Screw-HH |
| 13 | 114-4059 | 2 | Link ASM | 33 | 110-9847 | 1 | Rod-Prop |
| 13:2 | 3220-6 | 2 | Nut-Jam | 34 | 3272-6 | 1 | Pin-Cotter |
| 13:3 | 1-633029 | 2 | Balljoint-Spherical | 35 | 3256-22 | 1 | Washer-Flat |
| 17 | 302-5 | 3 | Fitting-Grease | 36 | 328-7 | 5 | Screw-HH |
| 18 | 32144-41 | 2 | Screw-Taptite | 37 | 92-5836 | 5 | Washer |
| 20 | 103-1898 | 4 | Screw-HH | 38 | 3296-51 | 5 | Nut-Lock, NI |
| 21 | 3257-42 | 2 | Key-Woodruff | | | | |



Roll-Over Protection System and Rear Wheel Assembly

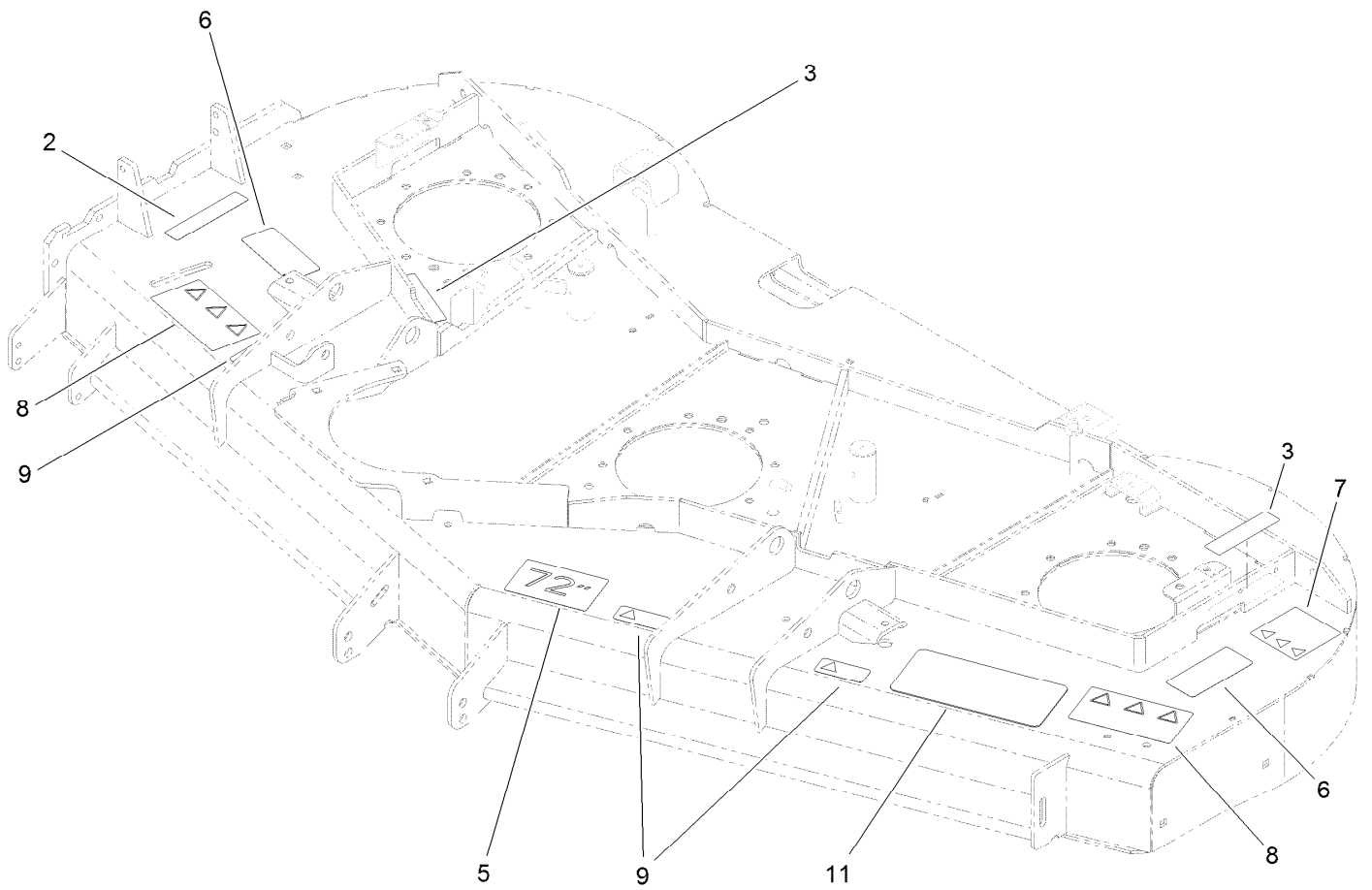
| <i>Ref.</i> | <i>Part Number</i> | <i>Qty.</i> | <i>Description</i> |
|-------------|--------------------|-------------|-----------------------------|
| 1 | 110-9770 | 1 | Upper ROPS ASM |
| 1:2 | 107-3069 | 1 | Decal-Warning, Folding ROPS |
| 2 | 112-7264 | 2 | Screw-HH |
| 3 | 32128-23 | 2 | Nut-HF |
| 4 | 103-4553 | 2 | ROPS Fold Pin ASM |
| 5 | 110-5696 | 2 | Spring-Leaf |
| 6 | 3290-412 | 4 | Rivet |
| 7 | 106-7864 | 2 | Tire And Wheel ASM |
| 7:1 | 106-7868 | 1 | Tire |
| 7:2 | 87-6750 | 1 | Wheel |
| 7:3 | 232-27 | 1 | Stem-Valve |



Deck, Spindle, Blade, Belt and Pulley Assembly

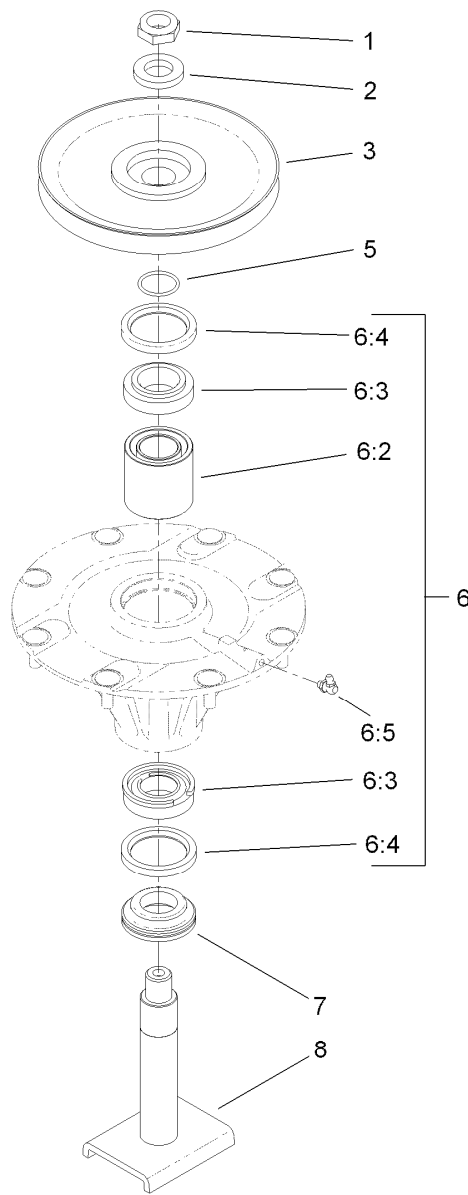
| Ref. | Part Number | Qty. | Description | Ref. | Part Number | Qty. | Description |
|------|-------------|------|---------------------------|------|-------------|------|---------------------|
| 1 | 108-9901 | 1 | Deck ASM | 22 | 107-4725 | 1 | Pulley |
| 2 | 100-3102 | 1 | Washer-Flat | 23 | 110-9596 | 1 | Pulley-Idler |
| 3 | 104-8301 | 24 | Nut-Flange, NI | 24 | 117-9233 | 1 | High Spindle ASM |
| 4 | 110-0621-03 | 3 | Blade-Medium Flow | 25 | 117-9234 | 1 | Double Spindle ASM |
| 4 | 110-0622-03 | 3 | Blade-Rotary, High Flow ● | 26 | 108-1926 | 2 | Washer |
| 4 | 110-0624-03 | 3 | Blade-Rotary, Atomic ● | 27 | 108-1921 | 2 | Spring-Torsion |
| 5 | 72-9361 | 3 | Cup-Scalp, Anti | 28 | 108-1930 | 1 | Idler Arm ASM |
| 6 | 92-5816 | 3 | Bolt-Blade | 28:2 | 93-4510 | 2 | Bushing-Caster |
| 11 | 01-268-0160 | 1 | Pulley-Idler | 29 | 32120-84 | 2 | Ring-Snap, External |
| 15 | 108-1993 | 2 | Screw-HSBH | 30 | 302-5 | 2 | Fitting-Grease |
| 18 | 119-4778 | 1 | Spindle ASM | 31 | 110-9591 | 1 | Belt-V |
| 19 | 108-1924 | 2 | Spacer-Idler | 32 | 3296-45 | 2 | Nut-Lock, NI |
| 20 | 117-9176 | 1 | Idler Arm ASM | 40 | 325-14 | 1 | Screw-HH |
| 20:2 | 93-4510 | 2 | Bushing-Caster | 41 | 3218-5 | 2 | Nut-Jam |
| 21 | 110-9592 | 1 | Belt - V | | | | |

● Optional Equipment



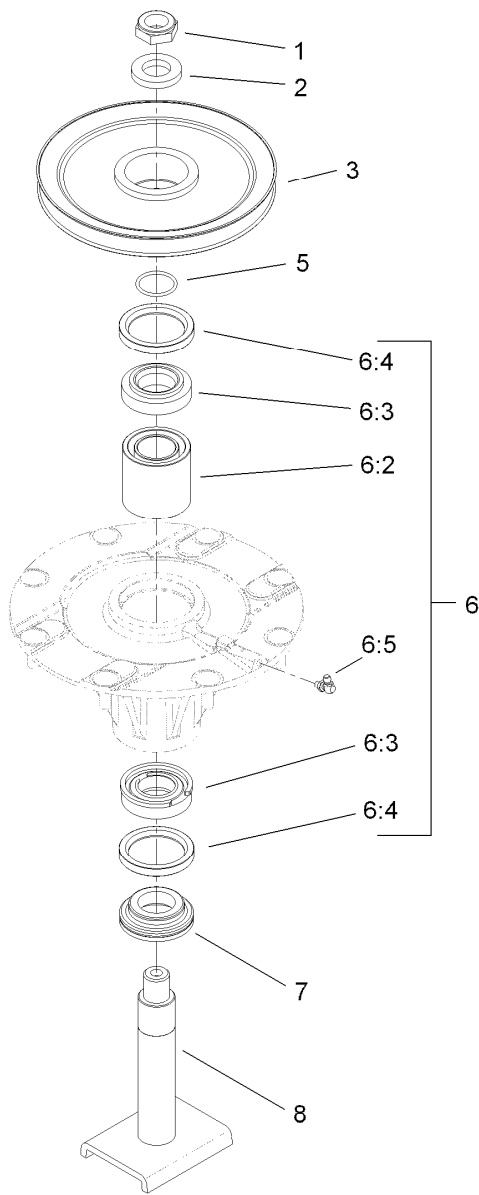
Deck Decal Assembly No. 108-9901

| <i>Ref.</i> | <i>Part Number</i> | <i>Qty.</i> | <i>Description</i> |
|-------------|--------------------|-------------|-----------------------------|
| 2 | 107-2916 | 1 | Decal-Warning |
| 3 | 117-4979 | 2 | Decal-Warning, Shields (Ce) |
| 5 | 57-0280 | 1 | Decal |
| 6 | 93-7818 | 2 | Decal-Torque, Blade Bolt |
| 7 | 120-6604 | 1 | Decal-Danger |
| 8 | 107-2908 | 2 | Decal-Danger, Combination |
| 9 | 93-6696 | 3 | Decal-Warning |
| 11 | 110-0988 | 1 | Tread-Floor, Side |



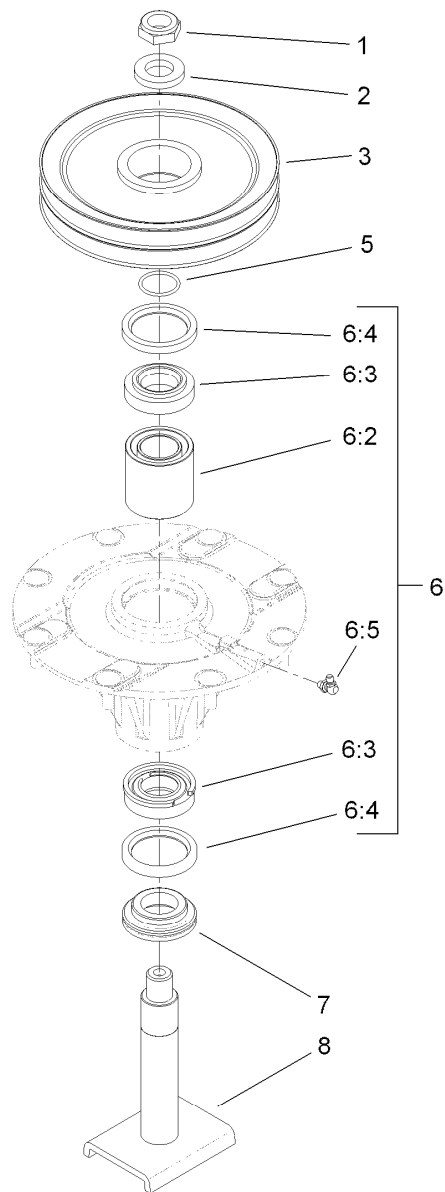
Spindle Assembly No. 119-4778

| Ref. | Part Number | Qty. | Description |
|------|-------------|------|-----------------------|
| 1 | 3296-60 | 1 | Nut-Lock, NI |
| 2 | 104-8322 | 1 | Washer-Hardened |
| 3 | 104-3546 | 1 | Pulley-Driven, Low |
| 5 | 106-7159 | 1 | O-Ring |
| 6 | 119-4777 | 1 | Spindle ASM |
| 6:2 | 108-1954 | 1 | Spacer Set-Bearing |
| 6:3 | 110-8297 | 1 | Bearing ASM |
| 6:4 | 253-154 | 2 | Seal-Oil |
| 6:5 | 302-60 | 1 | Fitting-Grease |
| 7 | 69-6950 | 1 | Spacer-Shaft, Spindle |
| 8 | 108-1956 | 1 | Shaft ASM |



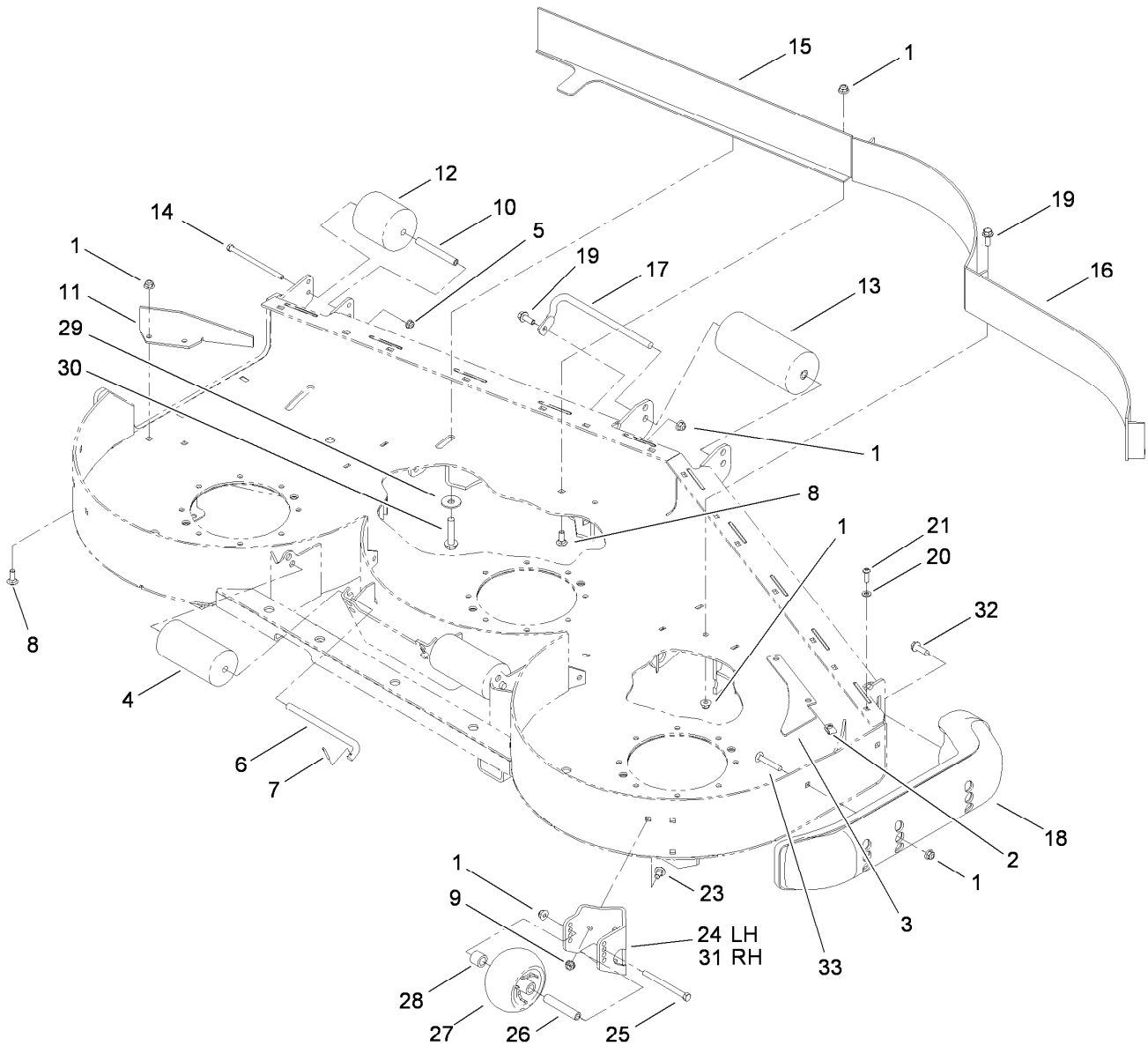
High Spindle Assembly No. 117-9233

| Ref. | Part Number | Qty. | Description |
|------|-------------|------|-----------------------|
| 1 | 3296-60 | 1 | Nut-Lock, NI |
| 2 | 104-8322 | 1 | Washer-Hardened |
| 3 | 104-3548 | 1 | Pulley-Driven, High |
| 5 | 106-7159 | 1 | O-Ring |
| 6 | 119-4777 | 1 | Spindle ASM |
| 6:2 | 108-1954 | 1 | Spacer Set-Bearing |
| 6:3 | 110-8297 | 1 | Bearing ASM |
| 6:4 | 253-154 | 2 | Seal-Oil |
| 6:5 | 302-60 | 1 | Fitting-Grease |
| 7 | 69-6950 | 1 | Spacer-Shaft, Spindle |
| 8 | 108-1956 | 1 | Shaft ASM |



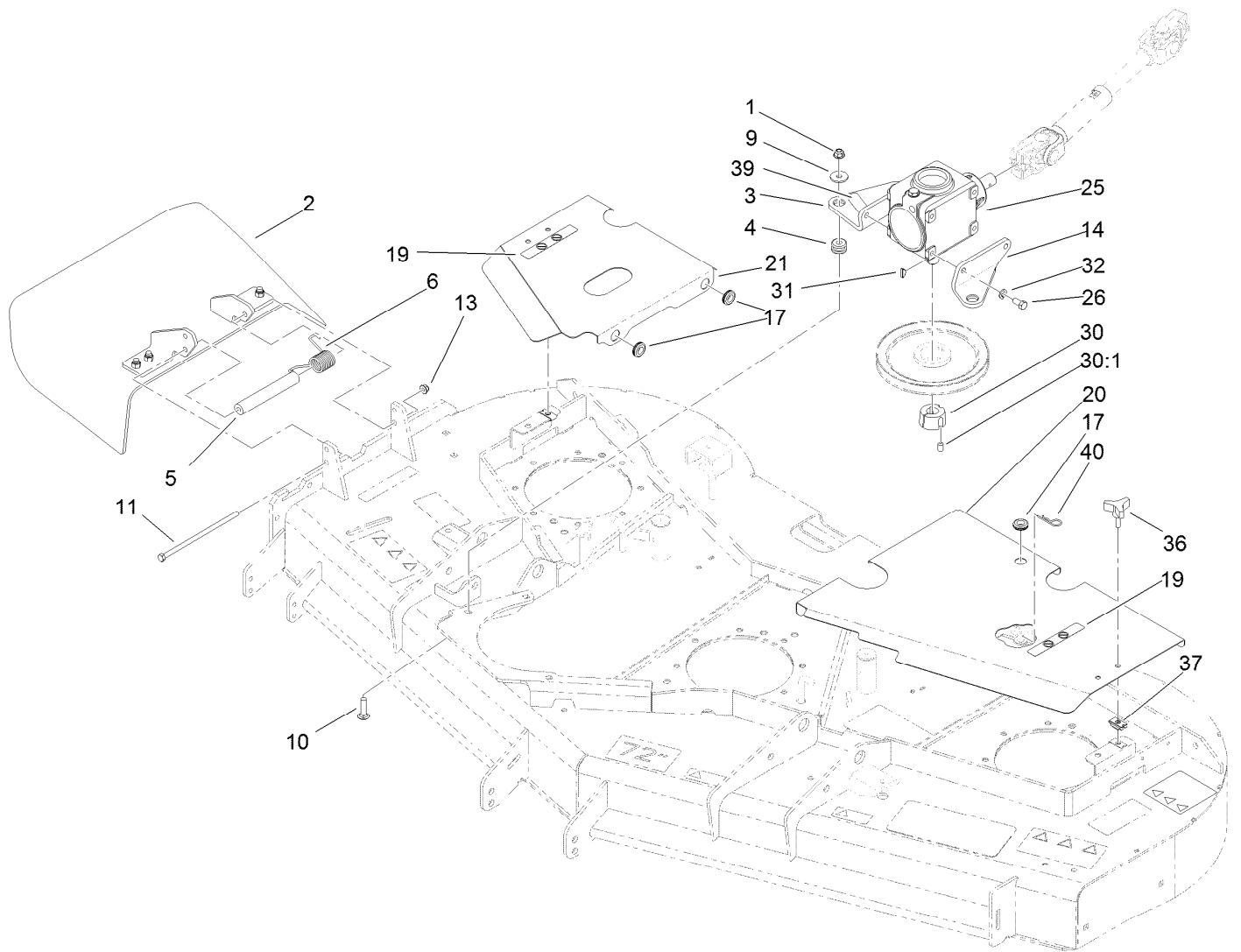
Double Spindle Assembly No. 117-9234

| <i>Ref.</i> | <i>Part Number</i> | <i>Qty.</i> | <i>Description</i> |
|-------------|--------------------|-------------|-----------------------|
| 1 | 3296-60 | 1 | Nut-Lock, NI |
| 2 | 104-8322 | 1 | Washer-Hardened |
| 3 | 104-3547 | 1 | Pulley-Driven, Double |
| 5 | 106-7159 | 1 | O-Ring |
| 6 | 119-4777 | 1 | Spindle ASM |
| 6:2 | 108-1954 | 1 | Spacer Set-Bearing |
| 6:3 | 110-8297 | 1 | Bearing ASM |
| 6:4 | 253-154 | 2 | Seal-Oil |
| 6:5 | 302-60 | 1 | Fitting-Grease |
| 7 | 69-6950 | 1 | Spacer-Shaft, Spindle |
| 8 | 108-1956 | 1 | Shaft ASM |



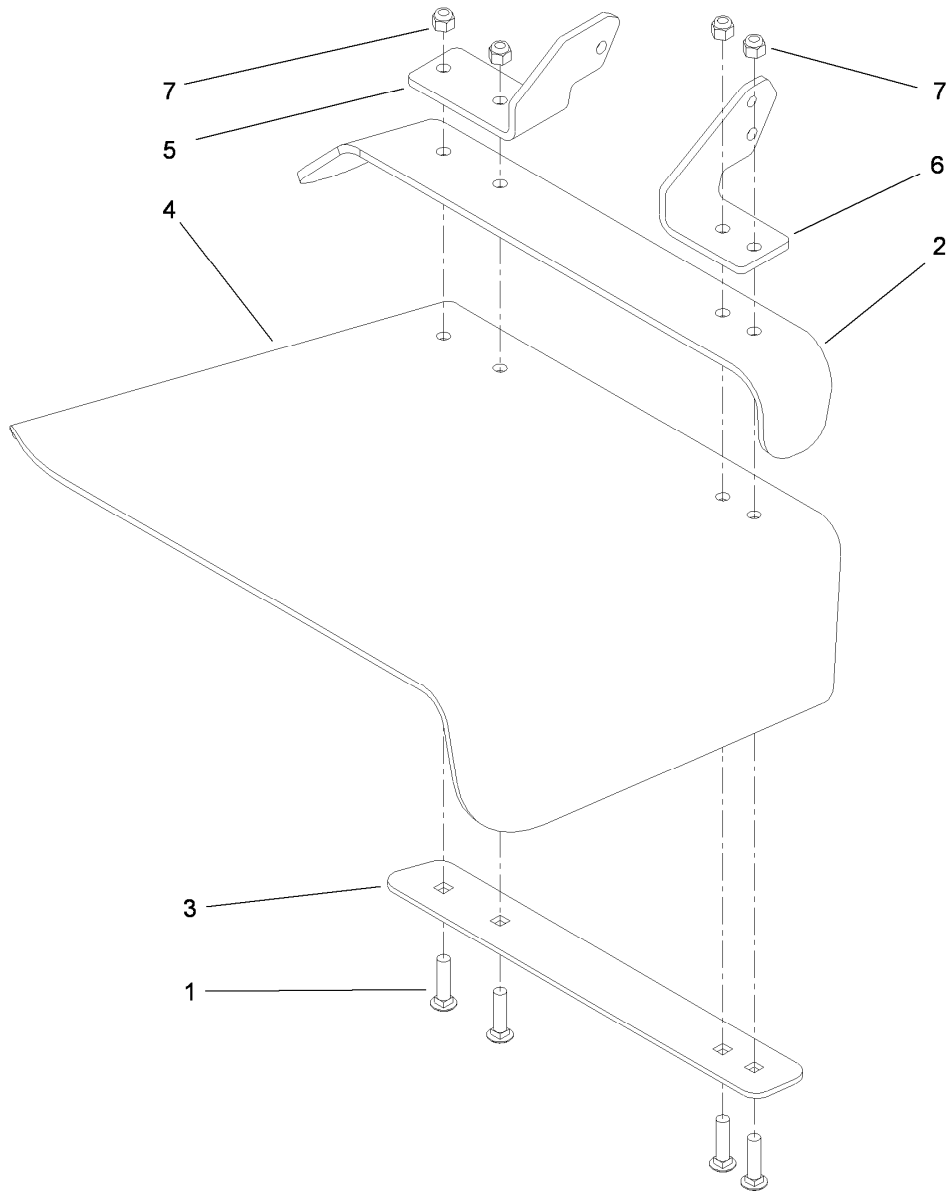
Roller and Baffle Assembly

| Ref. | Part Number | Qty. | Description | Ref. | Part Number | Qty. | Description |
|------|-------------|------|--------------------|------|-------------|------|--------------------|
| 1 | 104-8301 | 11 | Nut-Flange, NI | 17 | 68-6840 | 1 | Shaft-Roller |
| 2 | 112-3306 | 2 | Nut | 18 | 112-1479 | 1 | Skid-Bumper, Deck |
| 3 | 115-1396 | 1 | Plate-Turbo | 19 | 3234-42 | 4 | Screw-HHF |
| 4 | 36-1740 | 2 | Roller-Deck | 20 | 3256-23 | 2 | Washer-Flat |
| 5 | 104-8300 | 1 | Nut-Flange, NI | 21 | 3274-104 | 2 | Screw-HSBH |
| 6 | 40-0340 | 2 | Shaft-Roller, Rear | 23 | 3231-1 | 6 | Screw-CARR |
| 7 | 3272-11 | 2 | Pin-Cotter | 24 | 106-7354-01 | 1 | Mount-Wheel, LH |
| 8 | 3231-2 | 3 | Screw-CARR | 25 | 323-23 | 2 | Screw-HH |
| 9 | 3290-357 | 6 | Nut-HHF, Whiz | 26 | 98-7912 | 2 | Tube-Spanner |
| 10 | 105-4549 | 1 | Spacer-Roller | 27 | 1-603299 | 2 | Roller-Scalp, Anti |
| 11 | 106-3216-01 | 1 | Baffle-Discharge | 28 | 98-7913 | 2 | Tube-Spacer |
| 12 | 93-4803 | 1 | Roller-Deck | 29 | 105-7697 | 2 | Washer-Plastic |
| 13 | 68-6710 | 1 | Roller | 30 | 3234-46 | 2 | Screw-HHF |
| 14 | 322-49 | 1 | Bolt-HH | 31 | 106-7355-01 | 1 | Mount-Wheel, RH |
| 15 | 105-7669-01 | 1 | Baffle ASM | 32 | 9136144 | 1 | Screw-HWHTF |
| 16 | 105-7730-01 | 1 | Baffle ASM | 33 | 3231-33 | 2 | Screw-CARR |



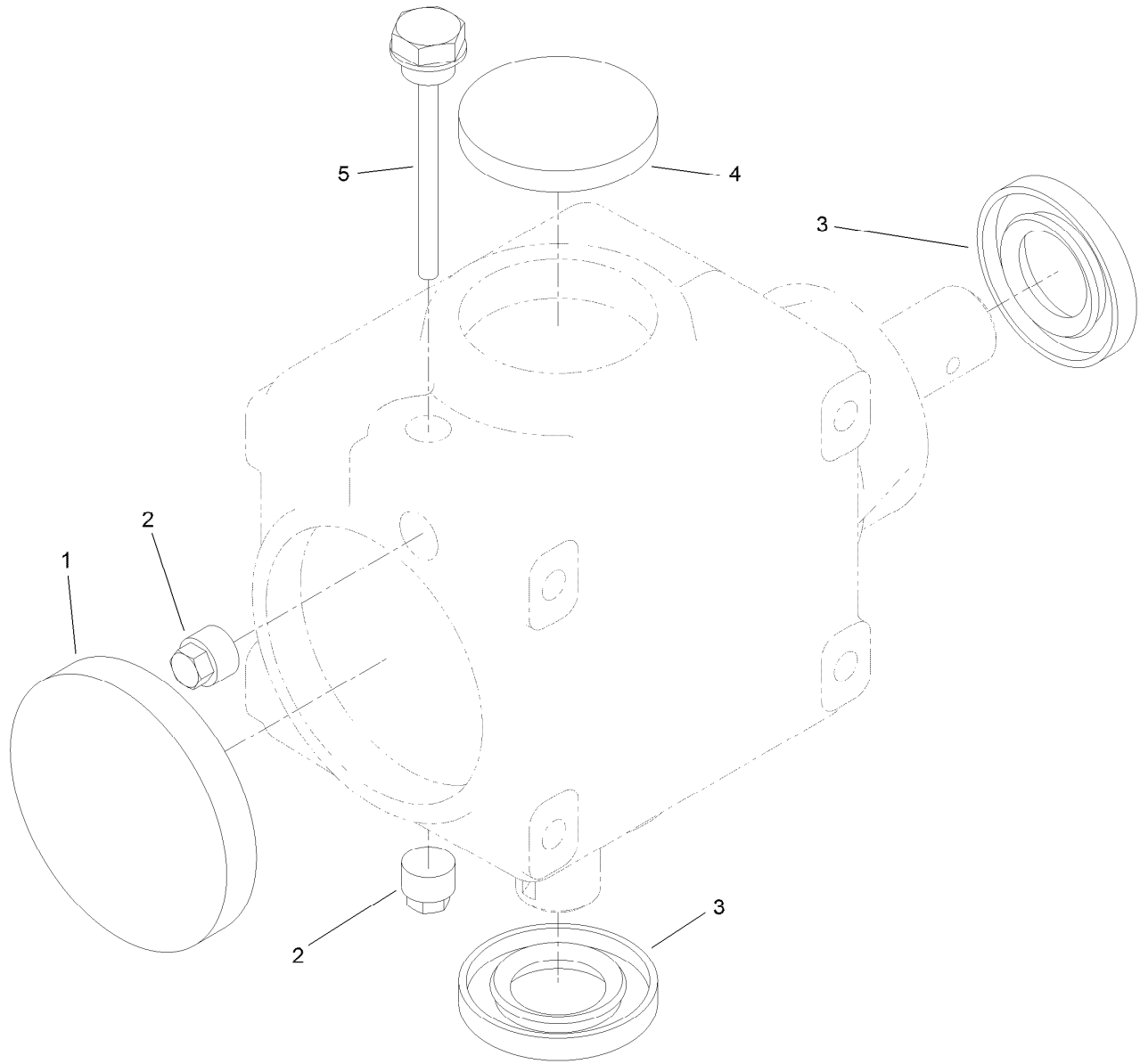
Belt Cover, Gearbox and Baffle Assembly

| <i>Ref.</i> | <i>Part Number</i> | <i>Qty.</i> | <i>Description</i> | <i>Ref.</i> | <i>Part Number</i> | <i>Qty.</i> | <i>Description</i> |
|-------------|--------------------|-------------|----------------------|-------------|--------------------|-------------|--------------------|
| 1 | 104-8301 | 3 | Nut-Flange, NI | 20 | 112-1455-03 | 1 | Cover-Deck, LH |
| 2 | 108-2792 | 1 | Rubber Deflector ASM | 21 | 112-1456-03 | 1 | Cover-Deck, RH |
| 3 | 110-6385-03 | 1 | Bracket-Gearbox, RH | 25 | 117-9245-03 | 1 | Gearbox ASM |
| 4 | 63-9750 | 3 | Mount | 26 | 323-4 | 4 | Screw-HH |
| 5 | 105-4622 | 1 | Spacer | 30 | 23-1640 | 1 | Bushing-Taperlock |
| 6 | 108-4052 | 1 | Spring-Torsion | 30:1 | 3247-4 | 2 | Screw-Set |
| 9 | 63-8410 | 3 | Washer | 31 | 3257-5 | 1 | Key-Woodruff |
| 10 | 3231-26 | 3 | Screw-CARR | 32 | 3253-21 | 4 | Washer-Lock |
| 11 | 112-9557 | 1 | Screw-HH | 36 | 106-2240 | 2 | Knob |
| 13 | 104-8300 | 1 | Nut-Flange, NI | 37 | 110-3510 | 2 | Nut-Retainer |
| 14 | 110-6384-03 | 1 | Bracket-Gearbox, LH | 39 | 93-6697 | 1 | Decal-Lube |
| 17 | 112-9559 | 4 | Grommet | 40 | 9335054 | 1 | Pin-Hair |
| 19 | 93-6687 | 2 | Decal-No Step | | | | |



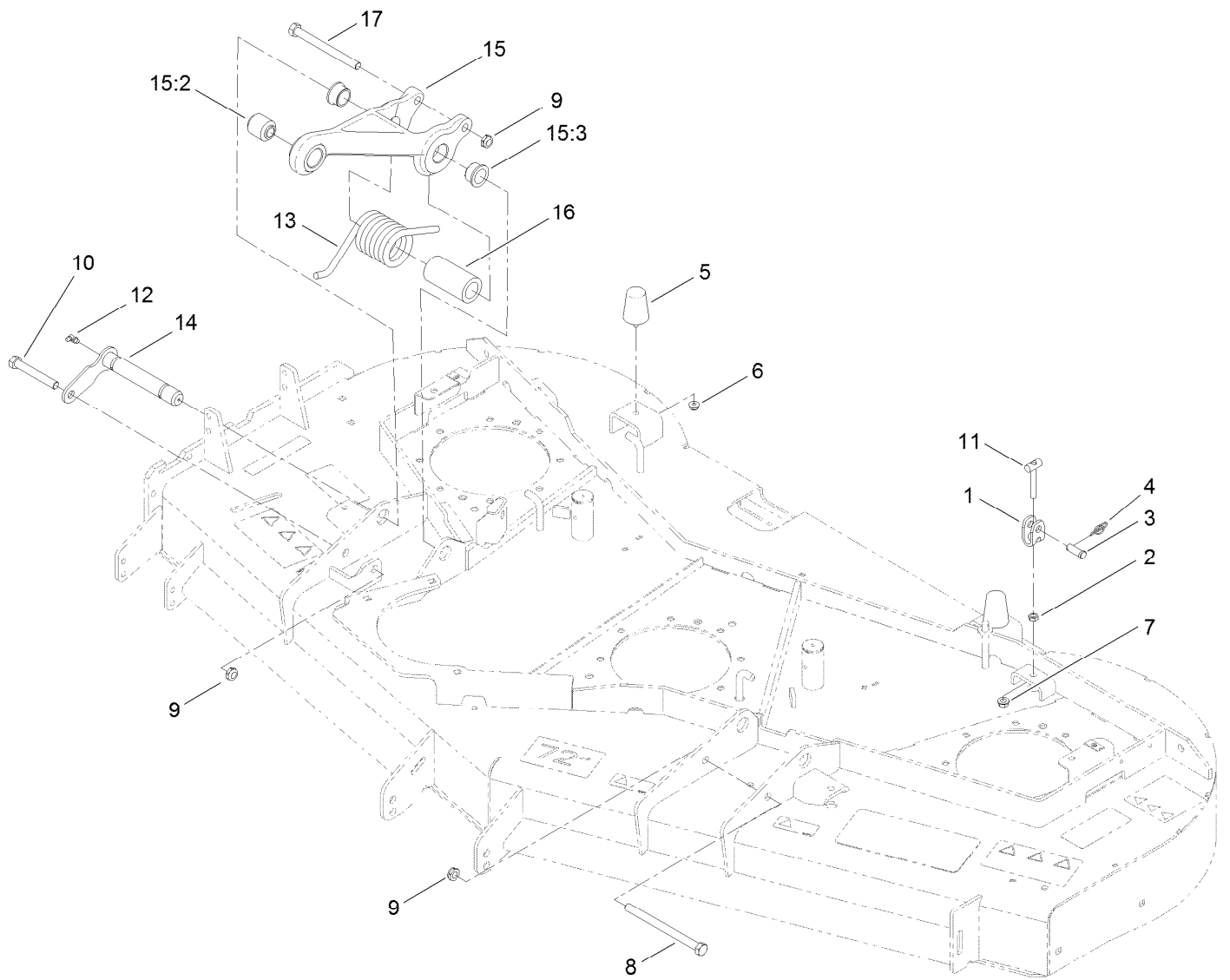
Rubber Deflector Assembly No. 108-2792

| <i>Ref.</i> | <i>Part Number</i> | <i>Qty.</i> | <i>Description</i> |
|-------------|--------------------|-------------|--------------------|
| 1 | 3231-4 | 4 | Screw-CARR |
| 2 | 106-3246-01 | 1 | Deflector |
| 3 | 106-3248-03 | 1 | Strap-Discharge |
| 4 | 108-5029 | 1 | Deflector-Rubber |
| 5 | 108-4059-01 | 1 | Plate-Hinge, Rear |
| 6 | 106-3253-01 | 1 | Plate-Hinge, Front |
| 7 | 104-8301 | 4 | Nut-Flange, NI |



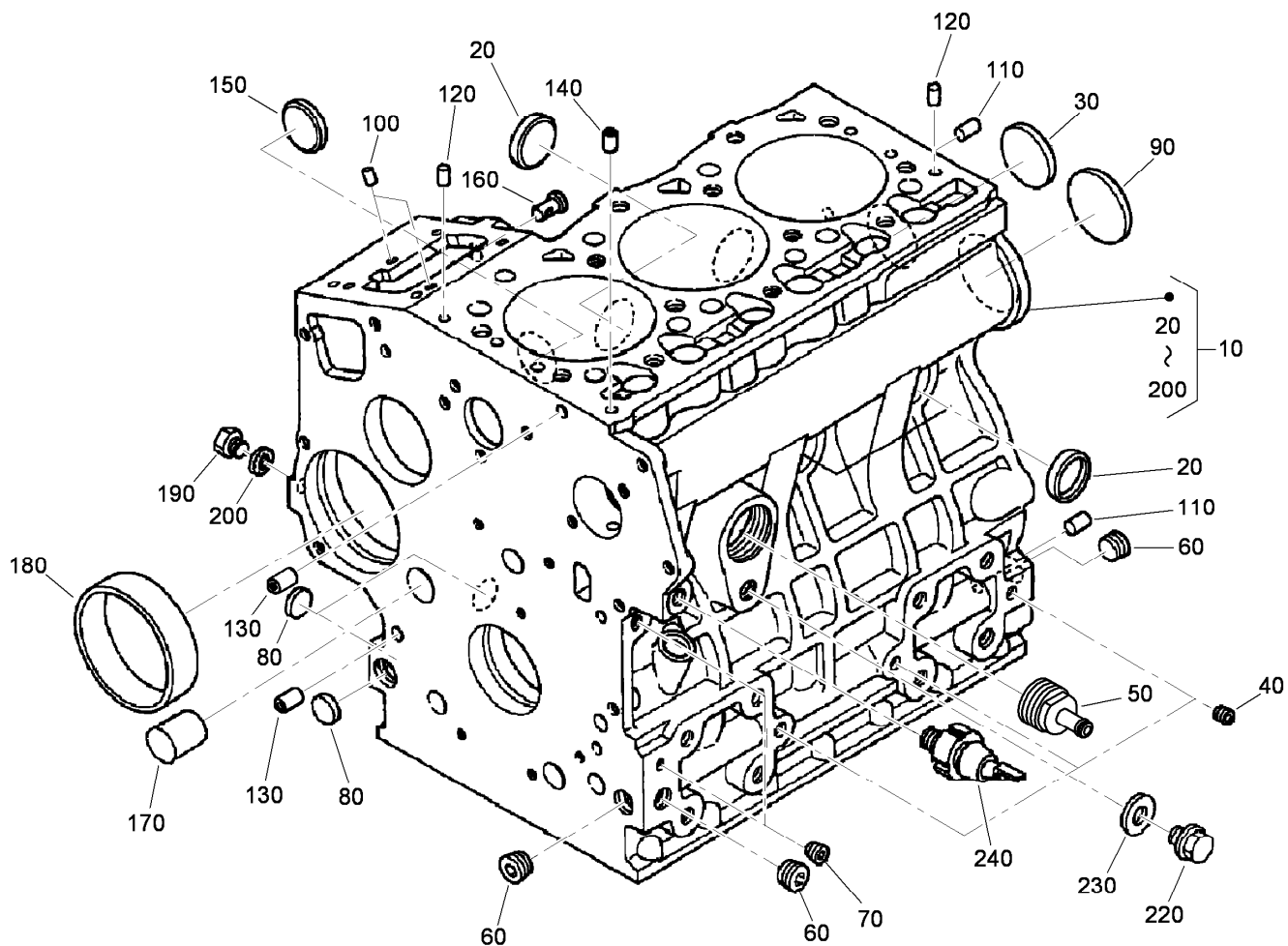
Gearbox Assembly No. 117-9245-03

| <i>Ref.</i> | <i>Part Number</i> | <i>Qty.</i> | <i>Description</i> |
|-------------|--------------------|-------------|-----------------------|
| 1 | 107-2932 | 1 | Cap-Oil |
| 2 | 107-2933 | 2 | Plug |
| 3 | 117-9247 | 2 | Seal |
| 4 | 107-2935 | 1 | Cap-Oil |
| 5 | 110-8283 | 1 | Plug-Filler, Dipstick |



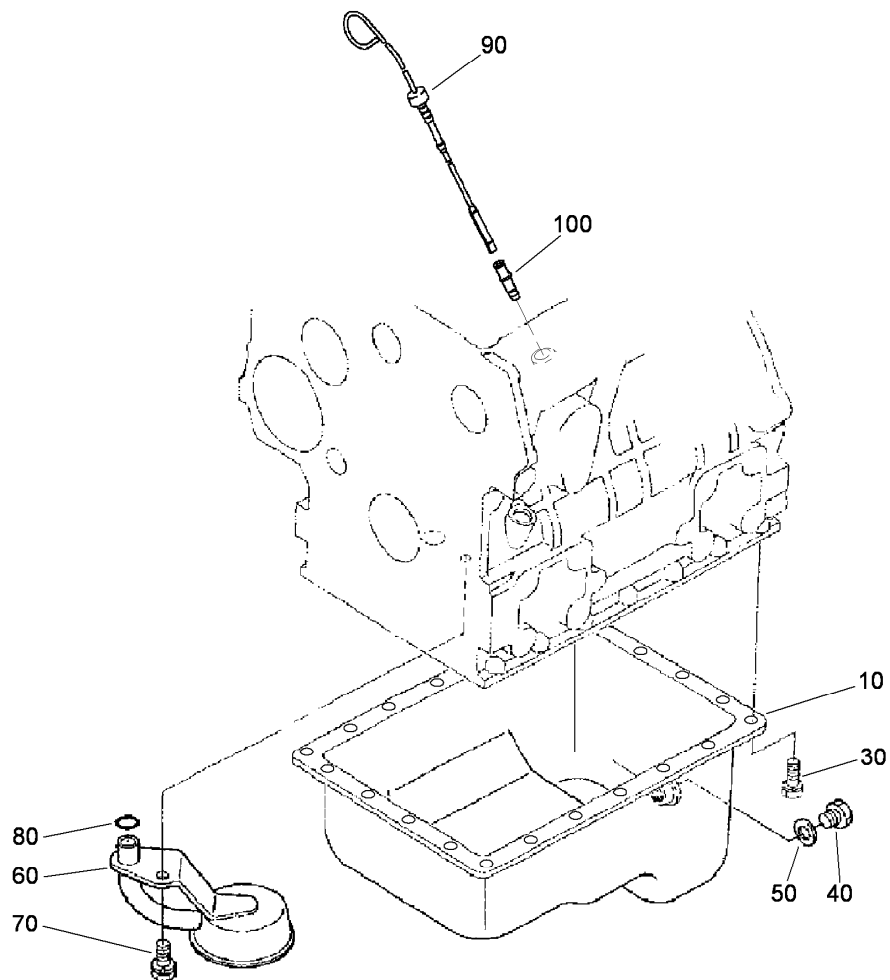
Adjustment Link and Bumper Assembly

| <i>Ref.</i> | <i>Part Number</i> | <i>Qty.</i> | <i>Description</i> | <i>Ref.</i> | <i>Part Number</i> | <i>Qty.</i> | <i>Description</i> |
|-------------|--------------------|-------------|----------------------|-------------|--------------------|-------------|--------------------|
| 1 | 115-1429 | 4 | Yoke-Clevis | 11 | 115-1431 | 4 | T-Bar ASM |
| 2 | 3218-3 | 4 | Nut-Jam | 12 | 302-60 | 4 | Fitting-Grease |
| 3 | 700601 | 4 | Pin-Clevis | 13 | 110-9828 | 2 | Spring-Torsion |
| 4 | 112-1491 | 4 | Pin-Cotter, Rue Ring | 14 | 112-1622 | 2 | Pin |
| 5 | 110-5070 | 2 | Bumper-Neoprene | 15 | 112-1625 | 2 | Pull Link ASM |
| 6 | 104-8300 | 2 | Nut-Flange, NI | 15:2 | 107-2328 | 1 | Bushing |
| 7 | 3290-357 | 4 | Nut-HHF, Whiz | 15:3 | 114-5680 | 2 | Bushing-Flange |
| 8 | 325-33 | 1 | Screw-HH | 16 | 110-9845 | 2 | Spacer-Plain |
| 9 | 3296-45 | 4 | Nut-Lock, NI | 17 | 325-22 | 2 | Screw-HH |
| 10 | 325-14 | 1 | Screw-HH | | | | |



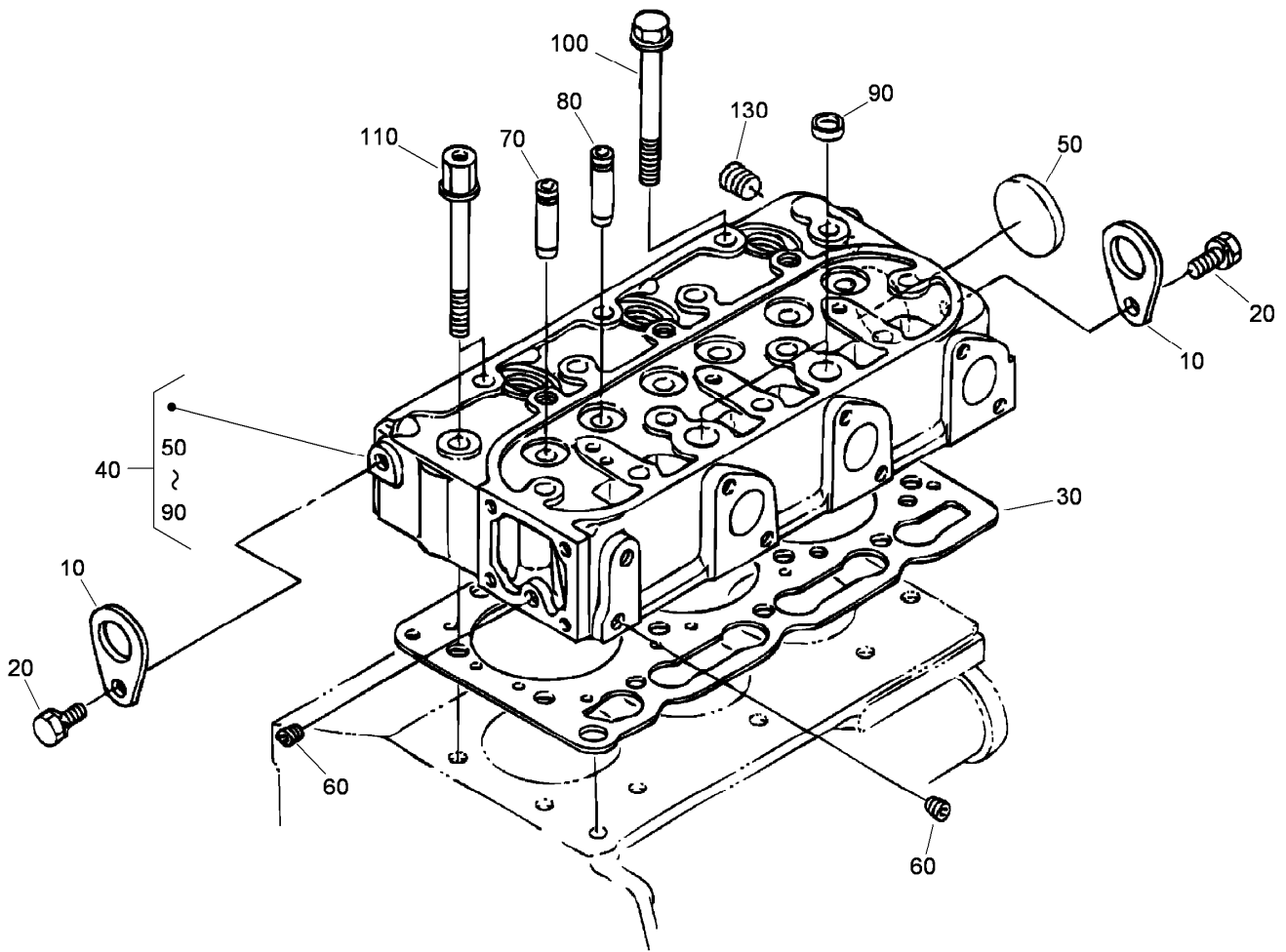
Crankcase Assembly

| <i>Ref.</i> | <i>Part Number</i> | <i>Qty.</i> | <i>Description</i> |
|-------------|--------------------|-------------|------------------------|
| 10 | 112-7043 | 1 | Crankcase ASM |
| 20 | 98-9398 | 4 | Cap-Sealing |
| 30 | 98-7539 | 1 | Cap-Sealing |
| 40 | 98-7540 | 3 | Plug |
| 50 | 99-8347 | 1 | Joint-Pipe, Drain |
| 60 | 98-9597 | 3 | Plug |
| 70 | 98-7487 | 2 | Plug |
| 80 | 98-9379 | 3 | Plug-Expansion |
| 90 | 98-9668 | 1 | Plug-Expansion |
| 100 | 98-9375 | 2 | Pin-Straight |
| 110 | 98-9377 | 2 | Pin-Straight |
| 120 | 98-9376 | 2 | Pin-Straight |
| 130 | 98-9387 | 2 | Pin-Pipe |
| 140 | 98-9539 | 1 | Pin-Pipe |
| 150 | 98-9599 | 1 | Plug |
| 160 | 98-9630 | 1 | Pin-Spring, Start |
| 170 | 98-9675 | 1 | Plug |
| 180 | 98-9656 | 1 | Bushing-Governor, Gear |
| 190 | 98-7507 | 1 | Plug |
| 200 | 98-7428 | 1 | Gasket |
| 220 | 99-3447 | 1 | Plug |
| 230 | 106-7056 | 1 | Gasket |
| 240 | 98-9416 | 1 | Switch-Oil |



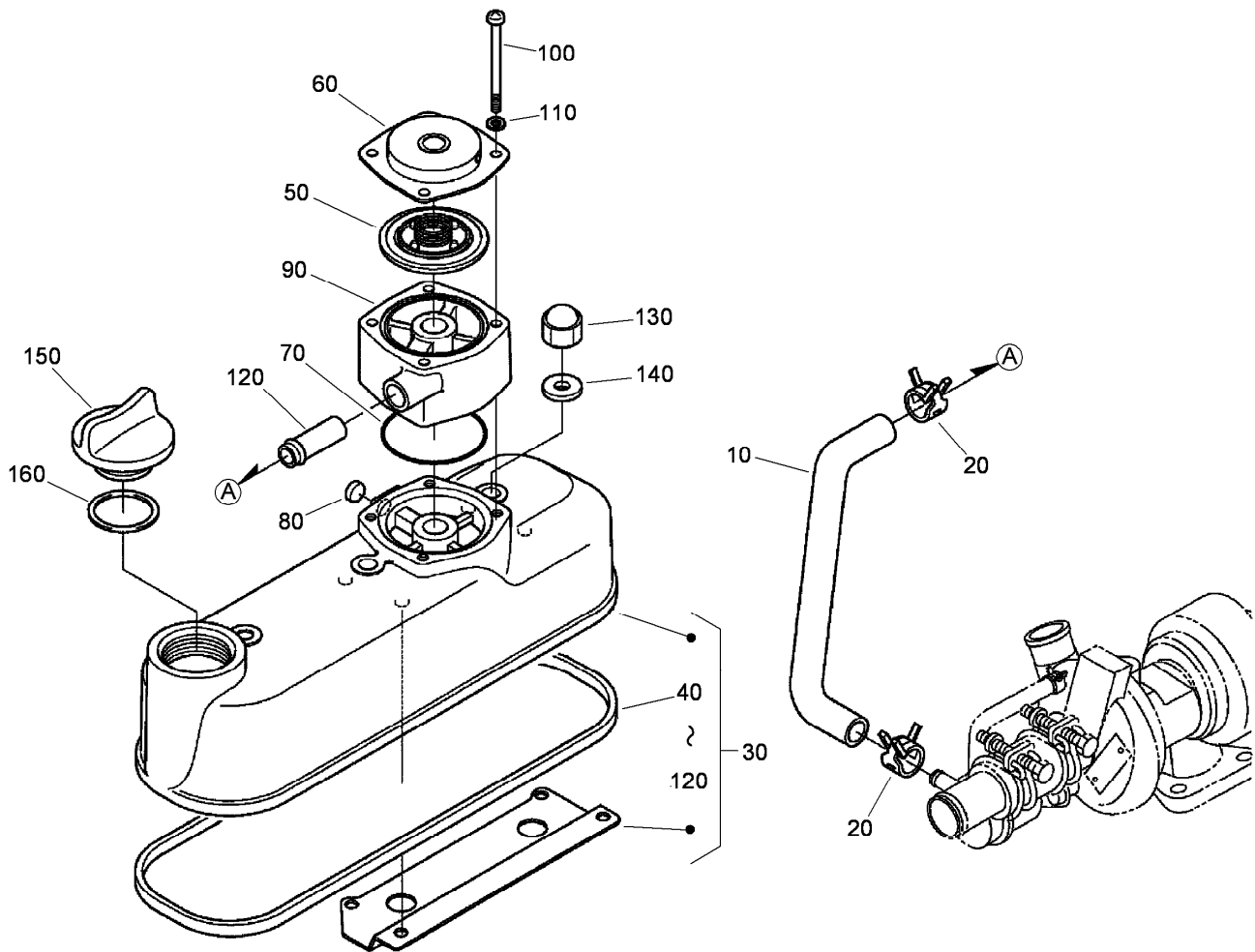
Oil Pan Assembly

| <i>Ref.</i> | <i>Part Number</i> | <i>Qty.</i> | <i>Description</i> |
|-------------|--------------------|-------------|--------------------|
| 10 | 112-0179 | 1 | Pan-Oil |
| 30 | 98-9351 | 22 | Bolt |
| 40 | 114-8151 | 1 | Plug-Drain |
| 50 | 98-7524 | 1 | Gasket |
| 60 | 112-7044 | 1 | *obs* Head-Filter |
| 70 | 98-7526 | 1 | Bolt |
| 80 | 105-3776 | 1 | O-Ring |
| 90 | 107-9076 | 1 | Gauge-Oil |
| 100 | 105-4580 | 1 | Guide-Gauge, Oil |



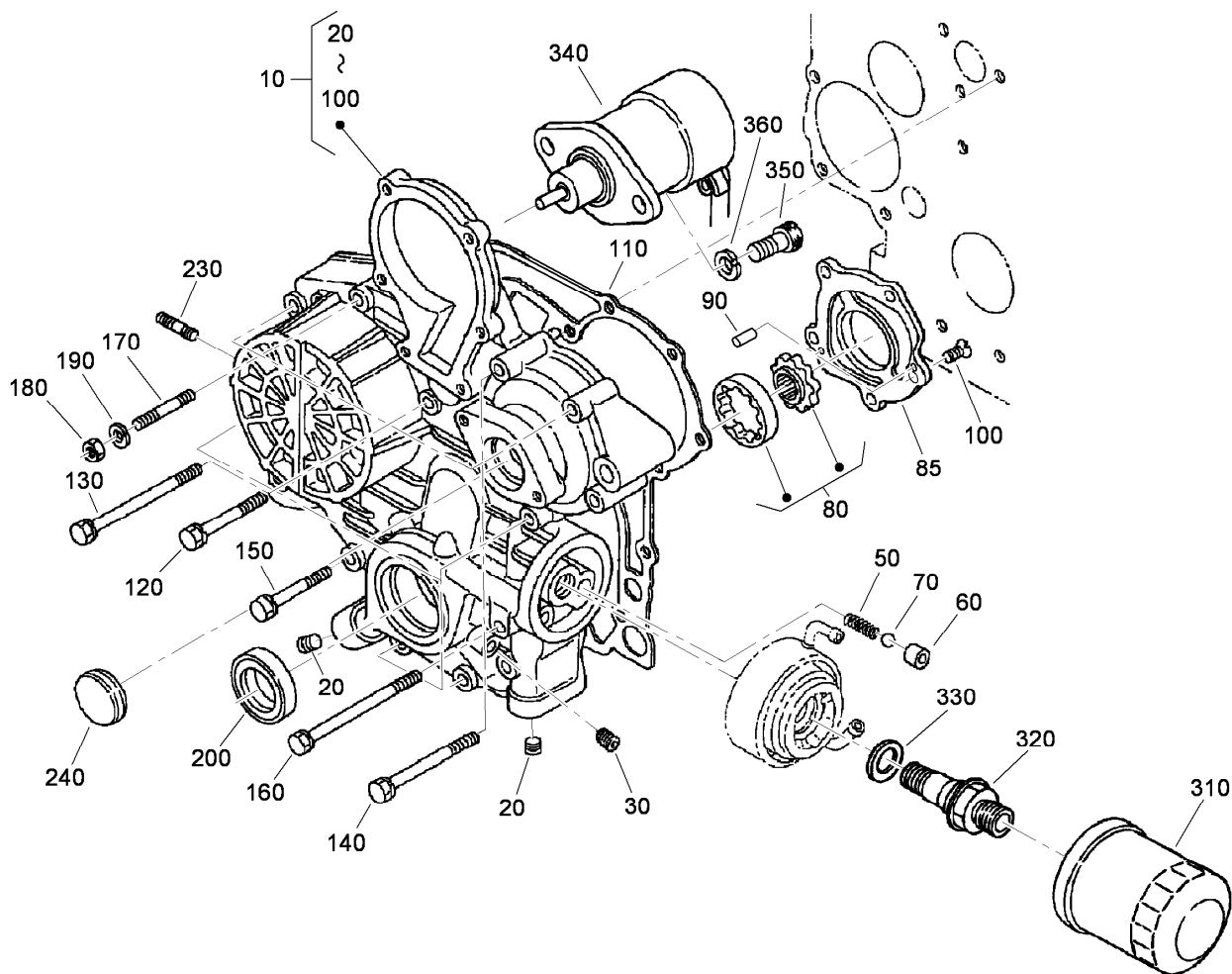
Cylinder Head Assembly

| <i>Ref.</i> | <i>Part Number</i> | <i>Qty.</i> | <i>Description</i> |
|-------------|--------------------|-------------|-----------------------|
| 10 | 98-7531 | 2 | Hook-Engine |
| 20 | 100-9195 | 2 | Bolt |
| 30 | 108-6573 | 1 | Gasket-Head, Cylinder |
| 40 | 107-7823 | 1 | Cylinder Head ASM |
| 50 | 105-3705 | 1 | Cap-Sealing |
| 60 | 98-7540 | 2 | Plug |
| 70 | 107-9066 | 3 | Guide-Valve, Inlet |
| 80 | 107-9067 | 3 | Guide-Valve, Exhaust |
| 90 | 98-9389 | 2 | Cap-Sealing |
| 100 | 98-9479 | 12 | Bolt-Head, Cylinder |
| 110 | 98-9647 | 2 | Bolt-Head, Cylinder |
| 130 | 98-9444 | 1 | Plug |



Head Cover Assembly

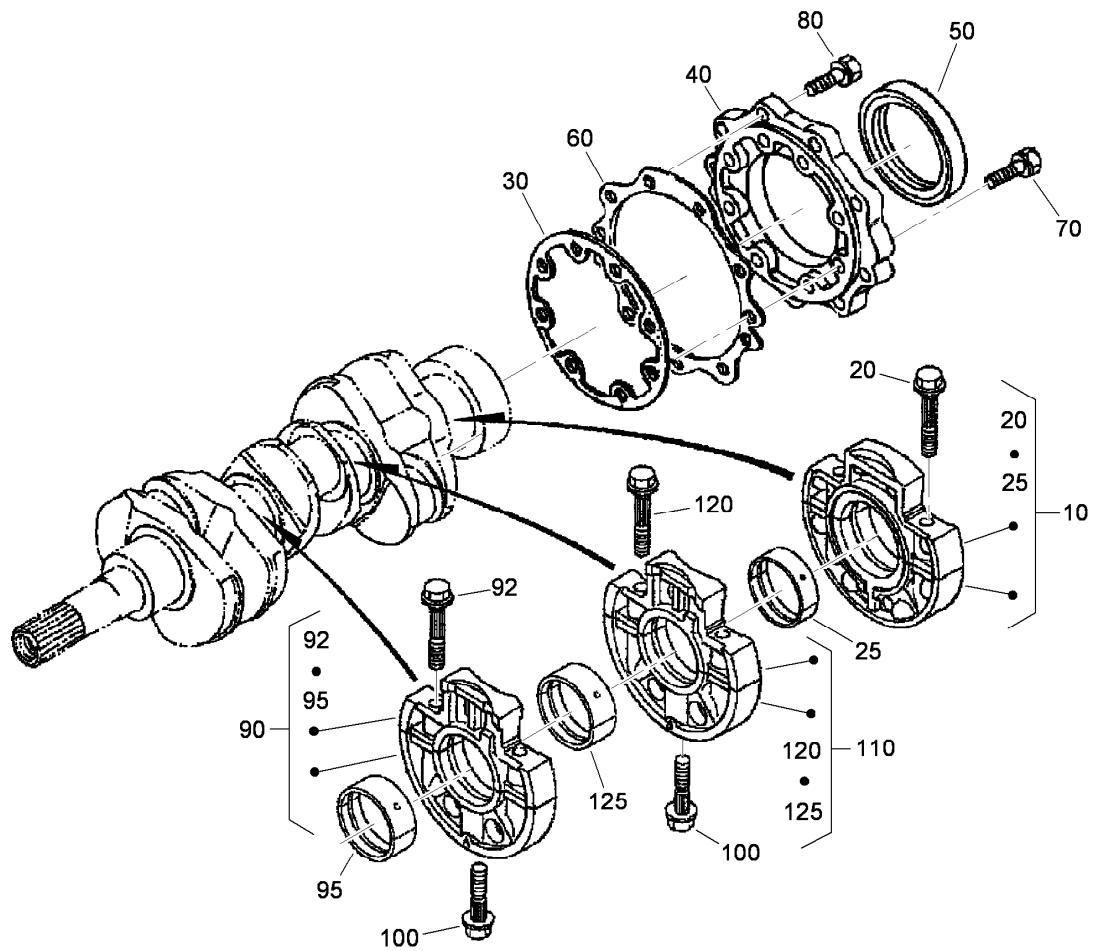
| <i>Ref.</i> | <i>Part Number</i> | <i>Qty.</i> | <i>Description</i> |
|-------------|--------------------|-------------|-------------------------|
| 10 | 115-3040 | 1 | Tube-Breather |
| 20 | 108-2859 | 2 | Clamp-Hose |
| 30 | 115-3041 | 1 | Cylinder Head Cover ASM |
| 40 | 98-9615 | 1 | Gasket-Cover, Head |
| 50 | 108-2861 | 1 | Breather Valve ASM |
| 60 | 110-3714 | 1 | Cover-Breather |
| 70 | 110-3846 | 1 | O Ring-Breather |
| 80 | 115-3042 | 1 | Cap-Sealing |
| 90 | 115-3043 | 1 | Spacer-Breather |
| 100 | 115-3044 | 4 | Screw-Pan Head |
| 110 | 100-2204 | 4 | Washer-Spring |
| 120 | 98-7766 | 1 | Pipe-Return, Water |
| 130 | 98-9455 | 3 | Nut-Cap |
| 140 | 98-9454 | 3 | Gasket |
| 150 | 107-9075 | 1 | Plug-Filler, Oil |
| 160 | 99-3446 | 1 | O-Ring |



Gear Case Assembly

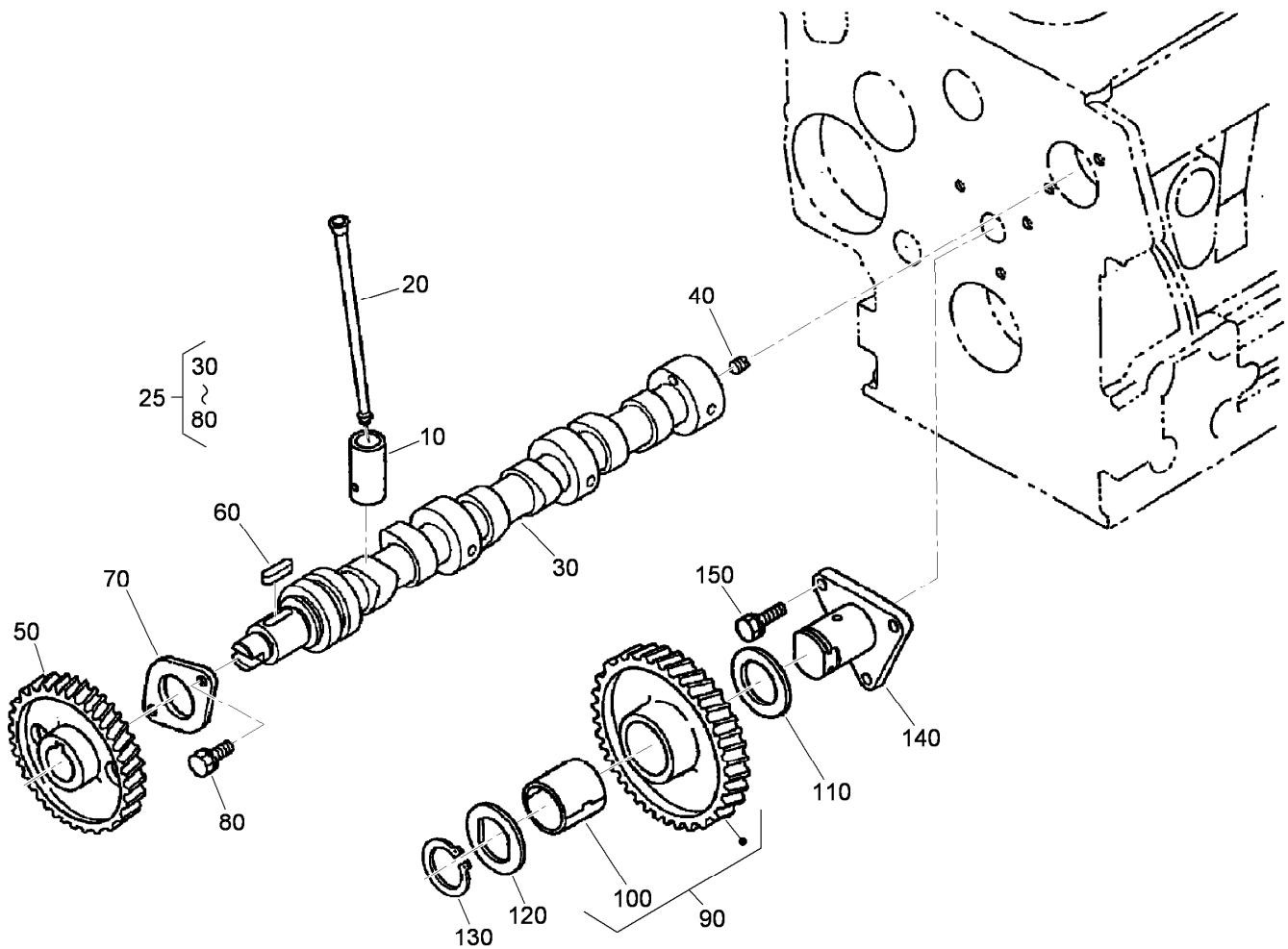
| <i>Ref.</i> | <i>Part Number</i> | <i>Qty.</i> | <i>Description</i> |
|-------------|--------------------|-------------|--------------------|
| 10 | 115-4111 | 1 | Gear Case ASM |
| 20 | 98-9598 | 2 | Plug |
| 30 | 98-7487 | 1 | Plug |
| 50 | 98-9544 | 1 | Spring |
| 60 | 98-9543 | 1 | Seat-Valve |
| 70 | 98-9380 | 1 | Ball |
| 80 | 98-9540 | 1 | Oil Pump Rotor ASM |
| 85 | 107-9069 | 1 | Cover-Pump, Oil |
| 90 | 107-9072 | 2 | Pin-Straight |
| 100 | 107-9071 | 5 | Screw |
| 110 | 98-9633 | 1 | Gasket-Case, Gear |
| 120 | 98-7496 | 3 | Bolt |
| 130 | 105-3797 | 4 | Bolt |
| 140 | 98-9356 | 4 | Bolt |

| <i>Ref.</i> | <i>Part Number</i> | <i>Qty.</i> | <i>Description</i> |
|-------------|--------------------|-------------|--------------------|
| 150 | 107-9074 | 1 | Bolt |
| 160 | 98-9586 | 2 | Bolt |
| 170 | 105-3709 | 1 | Stud |
| 180 | 98-7572 | 1 | Nut |
| 190 | 98-7699 | 1 | Washer-Spring |
| 200 | 98-9482 | 1 | Seal-Oil |
| 230 | 105-3710 | 2 | Stud |
| 240 | 98-9641 | 1 | Cover-Case, Gear |
| 310 | 108-3841 | 1 | Filter-Oil |
| 320 | 104-5159 | 1 | Holder ASM |
| 330 | 98-9727 | 1 | Collar |
| 340 | 104-5155 | 1 | Solenoid-Stop |
| 350 | 115-3039 | 2 | Bolt-HSH |
| 360 | 98-7699 | 2 | Washer-Spring |



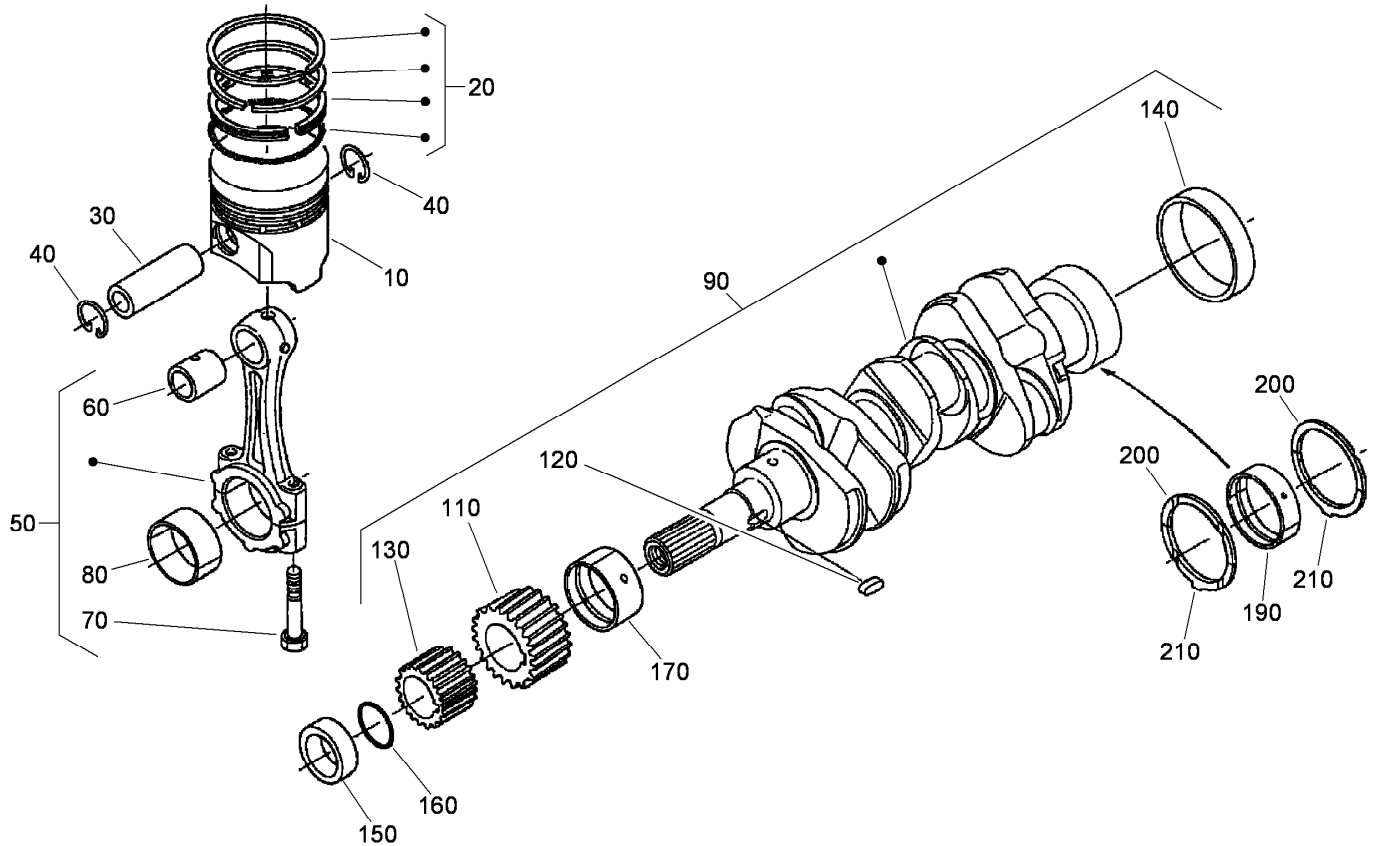
Main Bearing Case Assembly

| <i>Ref.</i> | <i>Part Number</i> | <i>Qty.</i> | <i>Description</i> |
|-------------|--------------------|-------------|---------------------------|
| 10 | 112-7026 | 1 | Wheel Bearing Case ASM |
| 20 | 98-9484 | 2 | Bolt-Case, Bearing |
| 25 | 112-7045 | 1 | Metal-Crankshaft |
| 25 | 112-7039 | 1 | Metal-Crankshaft (0.2Mm) |
| 25 | 112-7040 | 1 | Metal-Crankshaft (-0.4Mm) |
| 30 | 98-9634 | 1 | Gasket-Case, Bearing |
| 40 | 112-7046 | 1 | Cover-Case, Bearing |
| 50 | 112-0180 | 1 | Seal-Oil |
| 60 | 112-7037 | 1 | Gasket-Cover, Case |
| 70 | 98-9352 | 8 | Bolt |
| 80 | 98-7568 | 9 | Bolt |
| 90 | 112-7028 | 1 | Bearing ASM |
| 92 | 98-9484 | 2 | Bolt-Case, Bearing |
| 95 | 112-7011 | 1 | Bearing-Main (STD) |
| 95 | 112-7012 | 1 | Metal-Crankpin (-0.2Mm) |
| 95 | 112-7013 | 1 | Metal-Crankpin (-0.4Mm) |
| 100 | 98-9485 | 2 | Bolt-Case, Bearing |
| 110 | 112-7027 | 1 | Bearing ASM |
| 120 | 98-9484 | 2 | Bolt-Case, Bearing |
| 125 | 112-7011 | 1 | Bearing-Main (STD) |
| 125 | 112-7012 | 1 | Metal-Crankpin (-0.2Mm) |
| 125 | 112-7013 | 1 | Metal-Crankpin (-0.4Mm) |



Camshaft and Idle Gear Shaft Assembly

| Ref. | Part Number | Qty. | Description |
|------|-------------|------|--------------------|
| 10 | 112-0185 | 6 | Tappet |
| 20 | 98-9509 | 6 | Rod-Push |
| 25 | 112-7029 | 1 | Camshaft ASM |
| 30 | 108-1403 | 1 | Camshaft |
| 40 | 98-7449 | 1 | Screw-Set |
| 50 | 98-9512 | 1 | Gear-Cam |
| 60 | 98-9378 | 1 | Key-Feather |
| 70 | 98-9510 | 1 | Stopper-Camshaft |
| 80 | 98-7692 | 2 | Bolt |
| 90 | 98-9649 | 1 | Idle Gear ASM |
| 100 | 98-9650 | 1 | Bushing-Gear, Idle |
| 110 | 98-9535 | 1 | Collar-Gear, Idle |
| 120 | 98-9536 | 1 | Collar-Gear, Idle |
| 130 | 98-9534 | 1 | Circlip-Gear, Idle |
| 140 | 98-9533 | 1 | Shaft-Gear, Idle |
| 150 | 98-7692 | 3 | Bolt |

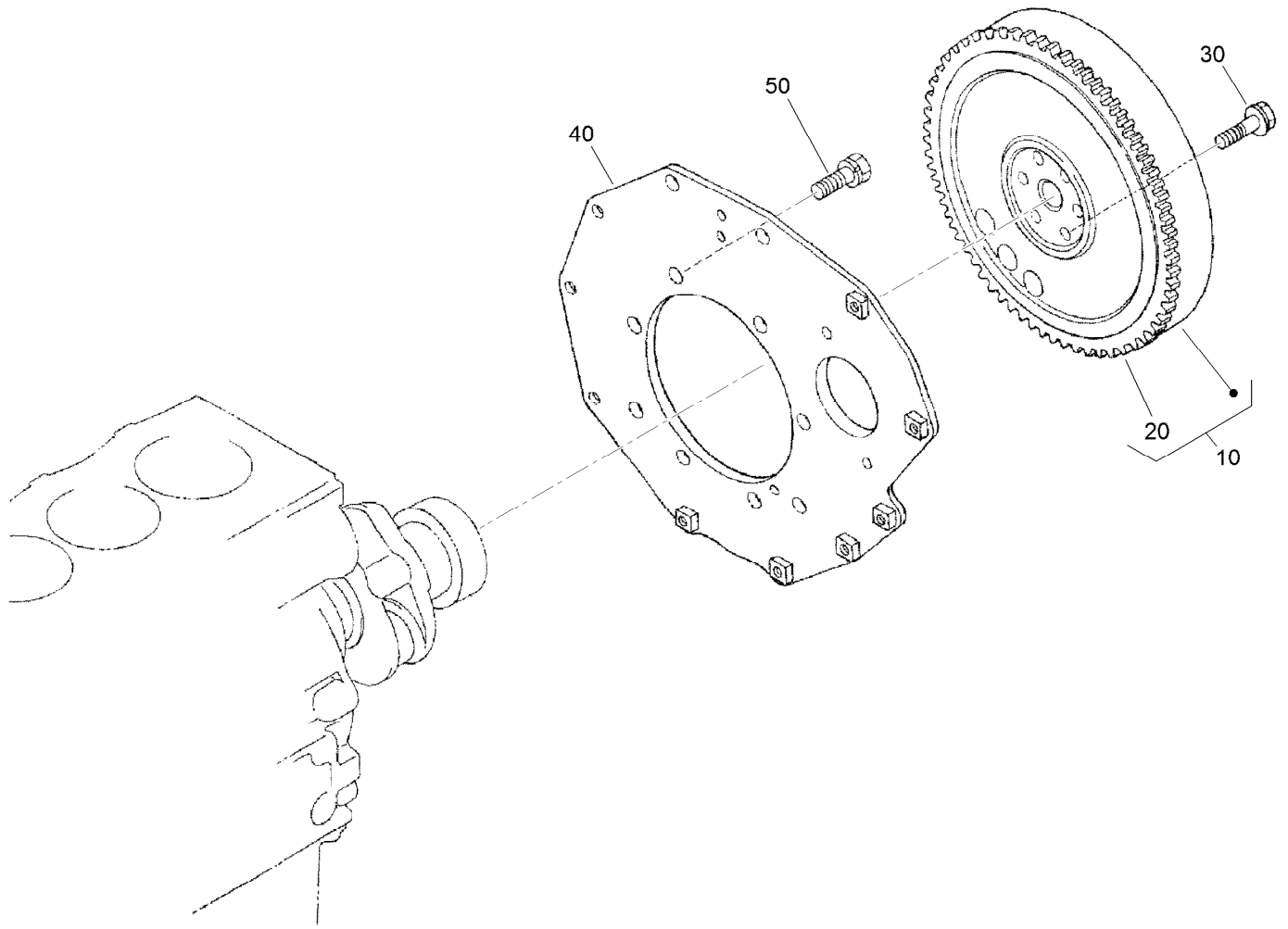


Piston and Crankshaft Assembly

| Ref. | Part Number | Qty. | Description |
|------|-------------|------|-------------------------|
| 10 | 98-9550 | 3 | Piston (STD) |
| 10 | 108-1417 | 3 | Piston (0.5Mm) |
| 20 | 98-9551 | 3 | Piston Ring ASM (STD) |
| 20 | 108-1404 | 3 | Piston Ring ASM (0.5Mm) |
| 30 | 98-9513 | 3 | Pin-Piston |
| 40 | 98-9514 | 6 | Circlip-Pin, Piston |
| 50 | 98-9552 | 3 | Connecting Rod ASM |
| 60 | 115-3014 | 3 | Bushing-Pin, Piston |
| 70 | 98-9517 | 6 | Bolt-Rod, Connecting |
| 80 | 98-9553 | 3 | Bearing-Rod (STD) |
| 80 | 108-1405 | 3 | Metal-Crankpin (-0.2Mm) |
| 80 | 108-1406 | 3 | Metal-Crankpin (-0.4Mm) |
| 90 | 98-9642 | 1 | Crankshaft ASM |
| 100 | 110-3729 | 3 | Ball ● |
| 110 | 98-9532 | 1 | Gear-Crankshaft |
| 120 | 98-9666 | 1 | Key |
| 130 | 98-9542 | 1 | Gear-Drive, Oil Pump |
| 140 | 98-9522 | 1 | Sleeve-Crankshaft |

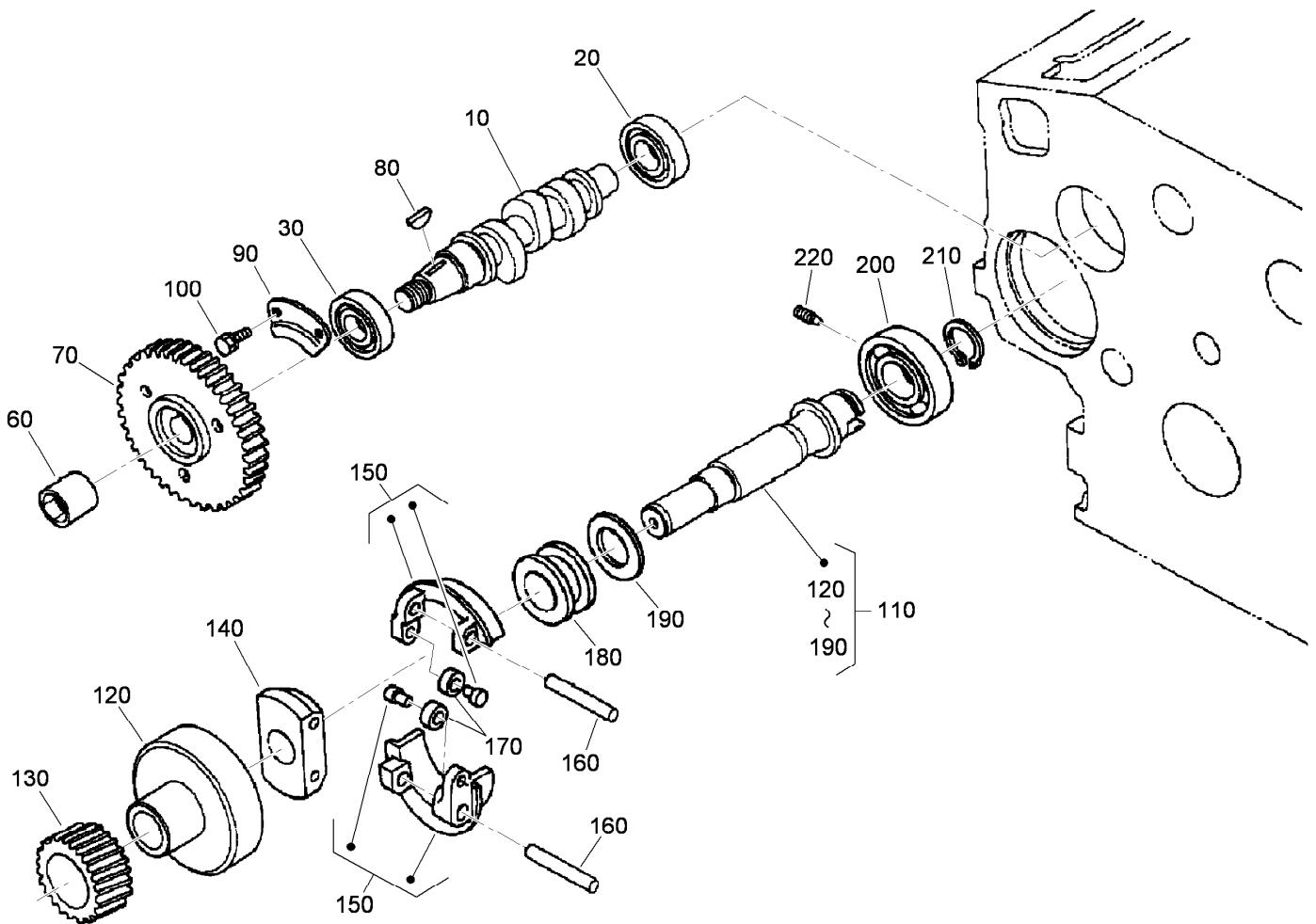
| Ref. | Part Number | Qty. | Description |
|------|-------------|------|---------------------------|
| 150 | 98-9521 | 1 | Collar-Crankshaft |
| 160 | 105-3783 | 1 | O-Ring |
| 170 | 112-7005 | 1 | Bearing-Main (STD) |
| 170 | 112-7009 | 1 | Metal-Crankpin (-0.2Mm) |
| 170 | 112-7010 | 1 | Metal-Crankpin (-0.4Mm) |
| 180 | 112-7011 | 2 | Bearing-Main (STD) ● |
| 180 | 112-7012 | 2 | Metal-Crankpin (-0.2Mm) ● |
| 180 | 112-7013 | 2 | Metal-Crankpin (-0.4Mm) ● |
| 190 | 112-7045 | 1 | Metal-Crankshaft |
| 190 | 112-7039 | 1 | Metal-Crankshaft (0.2Mm) |
| 190 | 112-7040 | 1 | Metal-Crankshaft (-0.4Mm) |
| 200 | 98-9413 | 2 | Bearing-Thrust (STD) |
| 200 | 98-9414 | 2 | Bearing-Thrust (0.2Mm) |
| 200 | 98-9415 | 2 | Bearing-Thrust (0.4Mm) |
| 210 | 98-9688 | 2 | Bearing-Thrust (STD) |
| 210 | 98-9689 | 2 | Bearing-Thrust (0.2Mm) |
| 210 | 98-9690 | 2 | Bearing-Thrust (0.4Mm) |

● Not illustrated



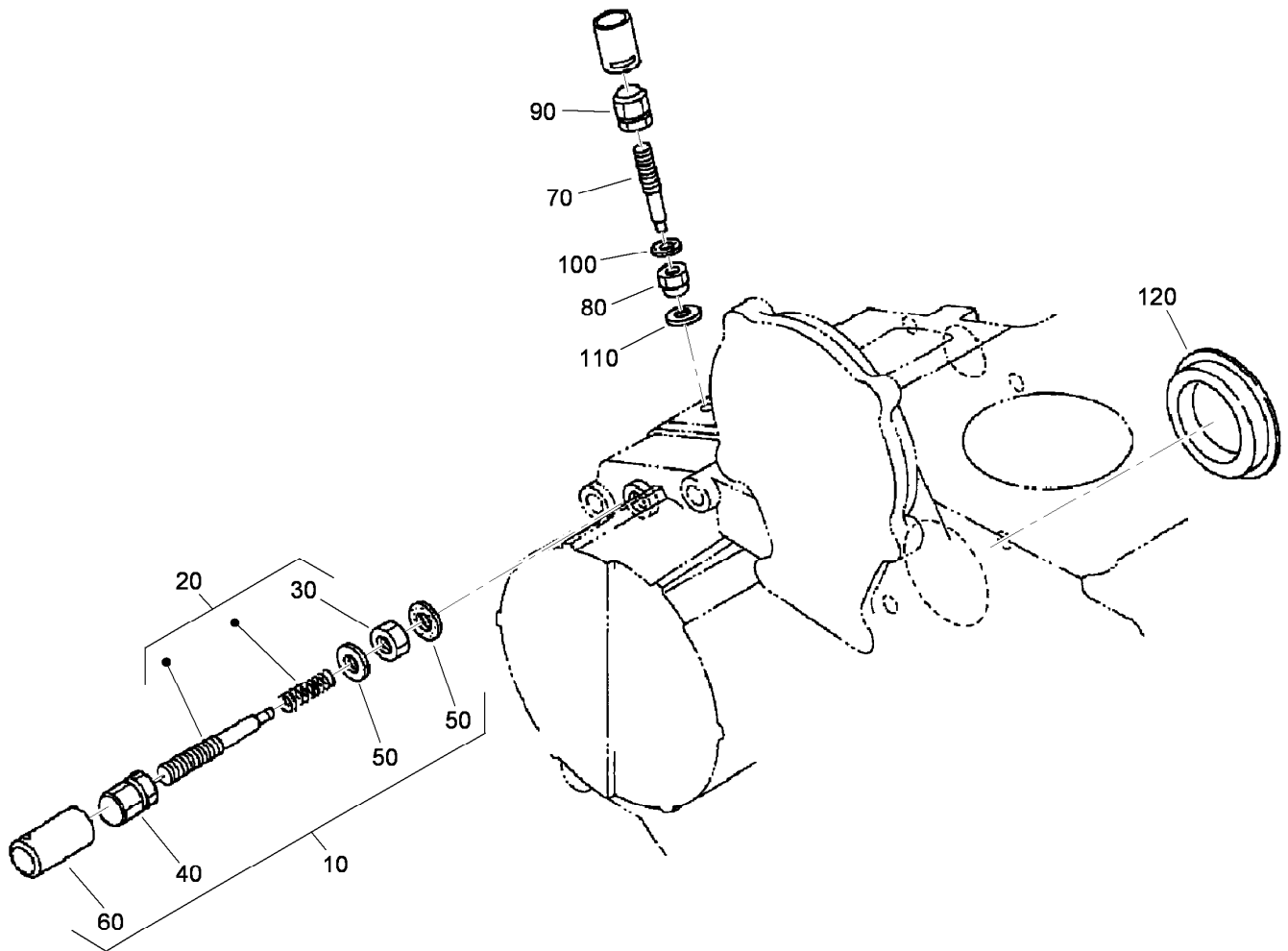
Flywheel Assembly

| <i>Ref.</i> | <i>Part Number</i> | <i>Qty.</i> | <i>Description</i> |
|-------------|--------------------|-------------|--------------------|
| 10 | 105-3784 | 1 | Flywheel ASM |
| 20 | 115-3015 | 1 | Gear-Ring |
| 30 | 98-9537 | 6 | Bolt-Flywheel |
| 40 | 98-9486 | 1 | Plate-End, Rear |
| 50 | 98-9392 | 8 | Bolt |



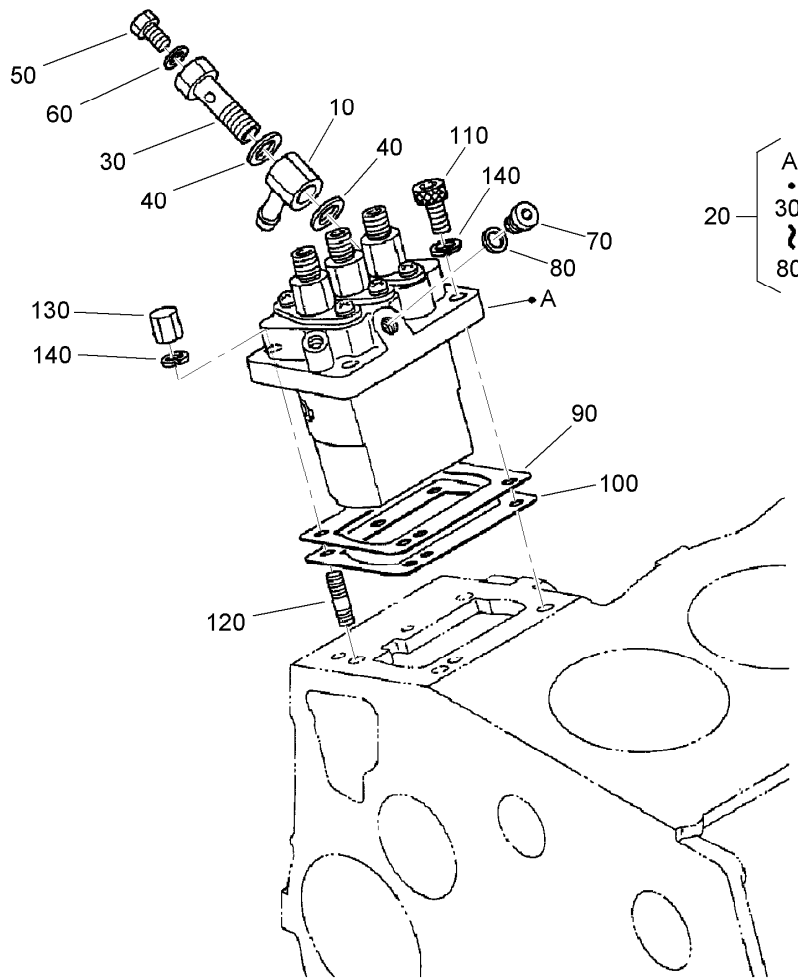
Fuel Camshaft and Governor Shaft Assembly

| <i>Ref.</i> | <i>Part Number</i> | <i>Qty.</i> | <i>Description</i> |
|-------------|--------------------|-------------|-------------------------|
| 10 | 98-9459 | 1 | Camshaft-Fuel |
| 20 | 107-9077 | 1 | Bearing-Ball |
| 30 | 107-9078 | 1 | Bearing-Ball |
| 60 | 98-9590 | 1 | Nut-Cap |
| 70 | 98-9669 | 1 | Gear-Pump, Injection |
| 80 | 98-9595 | 1 | Key-Woodruff |
| 90 | 98-9511 | 1 | Stopper-Fuel, Camshaft |
| 100 | 98-7692 | 2 | Bolt |
| 110 | 98-9644 | 1 | Governor Shaft ASM |
| 120 | 98-9562 | 1 | Holder-Gear, Governor |
| 130 | 98-9673 | 1 | Gear-Governor |
| 140 | 98-9561 | 1 | Holder-Weight, Governor |
| 150 | 98-9559 | 2 | Governor Weight ASM |
| 160 | 98-9560 | 2 | Shaft-Weight, Governor |
| 170 | 98-9692 | 2 | Roller |
| 180 | 98-9563 | 1 | Sleeve-Governor |
| 190 | 98-9564 | 1 | Washer-Thrust |
| 200 | 107-9079 | 1 | Bearing-Ball |
| 210 | 98-9657 | 1 | Circlip-Shaft, Governor |
| 220 | 98-9565 | 1 | Screw-Set |



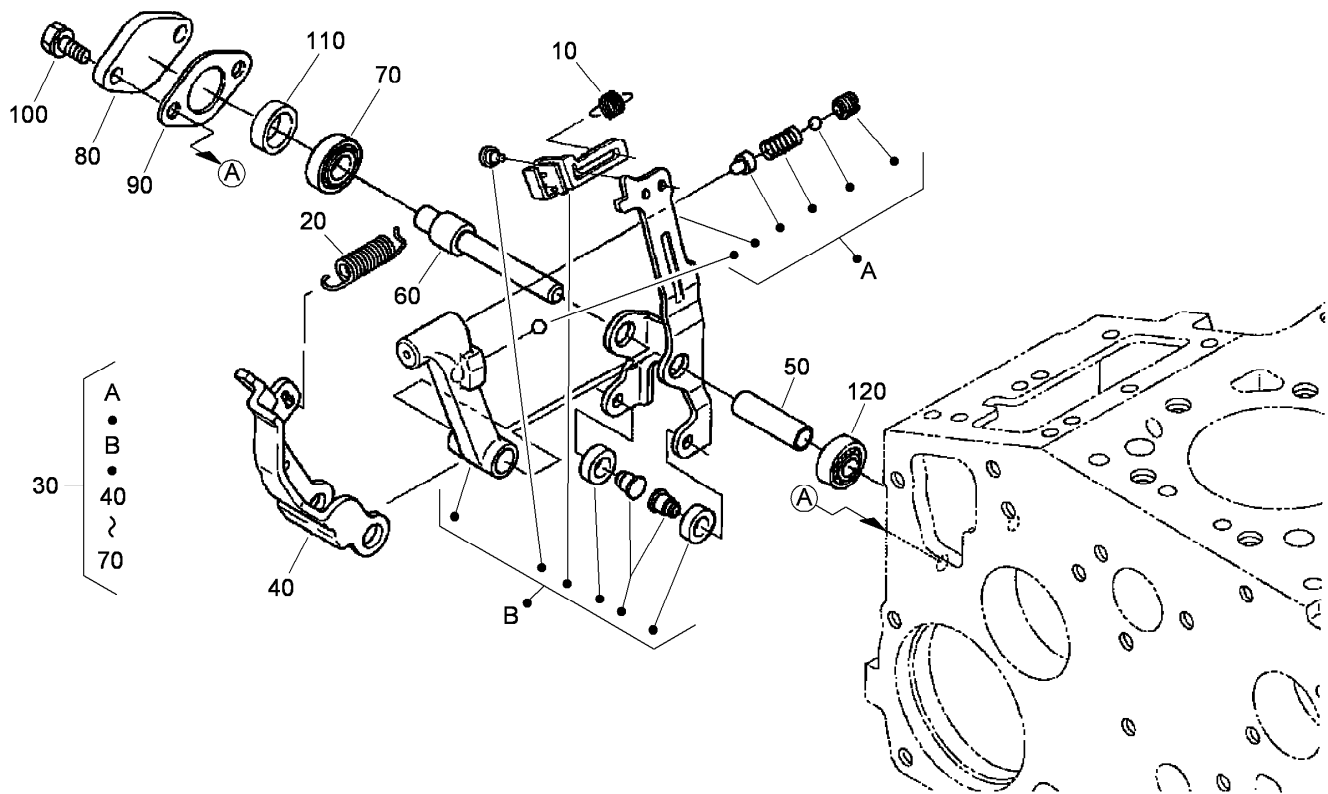
Idle Apparatus Assembly

| <i>Ref.</i> | <i>Part Number</i> | <i>Qty.</i> | <i>Description</i> |
|-------------|--------------------|-------------|--------------------|
| 10 | 98-9678 | 1 | Idle Apparatus ASM |
| 20 | 112-7014 | 1 | Adjusting Bolt ASM |
| 30 | 99-8387 | 1 | Nut-Cap |
| 40 | 112-0181 | 1 | Nut |
| 50 | 98-7654 | 2 | Gasket |
| 60 | 98-7656 | 1 | Cap |
| 70 | 112-7015 | 1 | Bolt-Adjusting |
| 80 | 100-2175 | 1 | Nut-Lock |
| 90 | 112-0181 | 1 | Nut |
| 100 | 98-7654 | 1 | Gasket |
| 110 | 107-9081 | 1 | Gasket |
| 120 | 112-7016 | 1 | Cover-Pump |



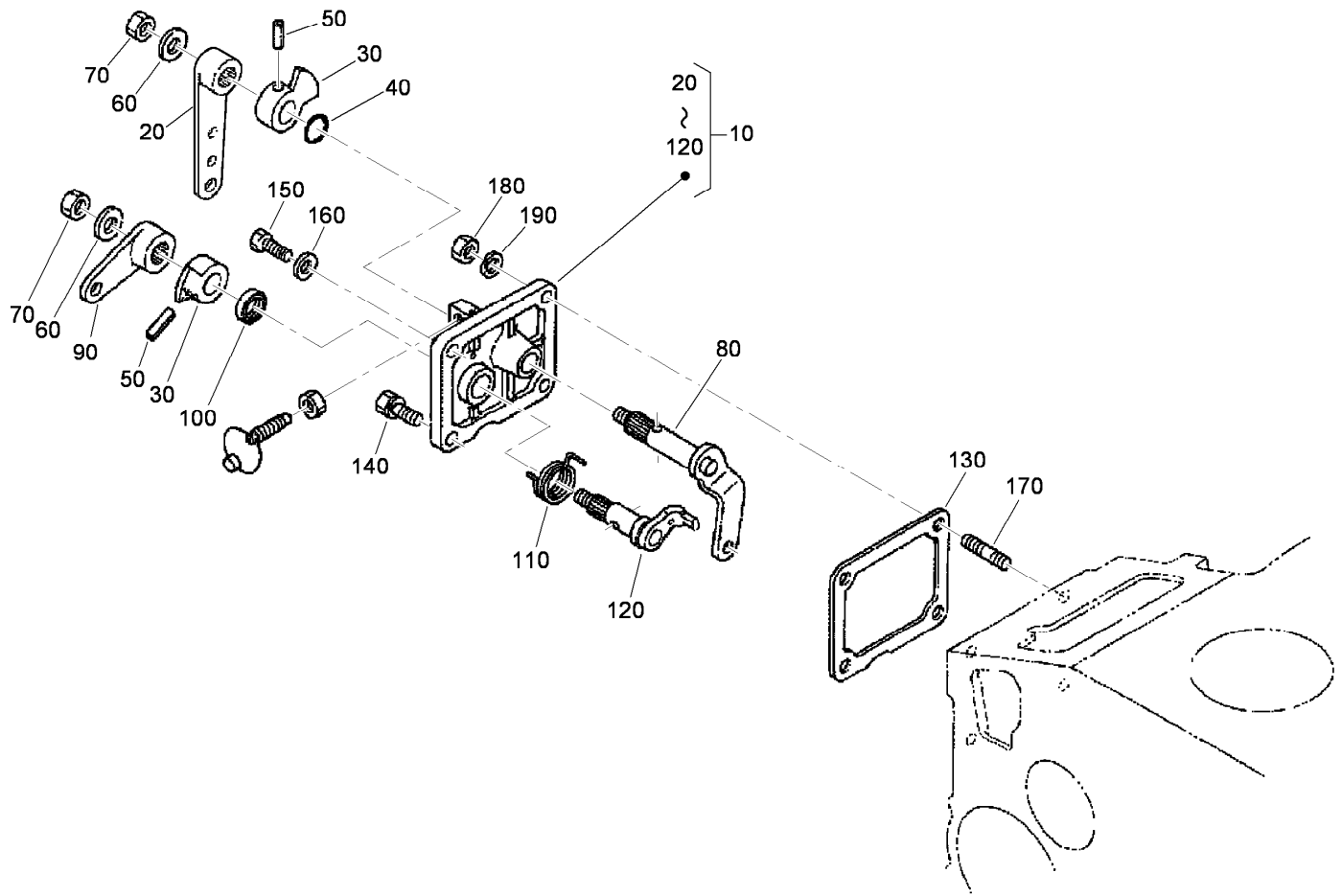
Injection Pump Assembly

| <i>Ref.</i> | <i>Part Number</i> | <i>Qty.</i> | <i>Description</i> |
|-------------|--------------------|-------------|-------------------------|
| 10 | 98-9596 | 1 | Joint-Eye |
| 20 | 98-9643 | 1 | Injection Pump ASM |
| 30 | 98-9464 | 1 | Bolt-Joint |
| 40 | 98-9445 | 2 | Gasket |
| 50 | 98-9430 | 1 | Screw |
| 60 | 98-9446 | 1 | Gasket |
| 70 | 98-9466 | 1 | Plug |
| 80 | 98-9451 | 1 | Gasket |
| 90 | 98-9457 | 1 | Shim-Injection (0.25Mm) |
| 90 | 98-9456 | 1 | Shim-Injection (0.20Mm) |
| 100 | 98-9458 | 1 | Shim-Injection (0.30Mm) |
| 110 | 98-9361 | 2 | Bolt-HSH |
| 120 | 98-9438 | 2 | Stud |
| 130 | 98-9440 | 2 | Nut-Cap |
| 140 | 98-7699 | 4 | Washer-Spring |



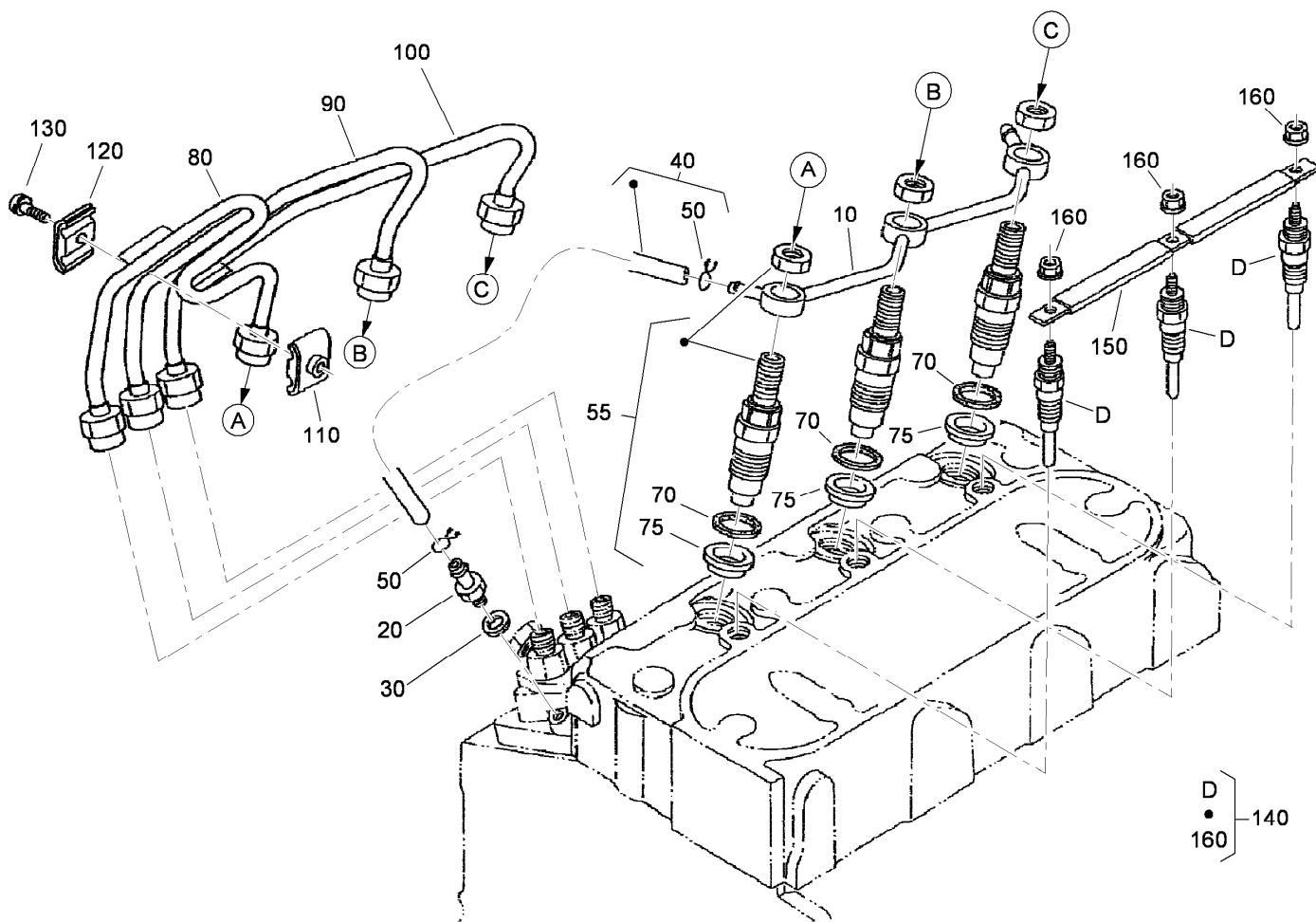
Governor Assembly

| <i>Ref.</i> | <i>Part Number</i> | <i>Qty.</i> | <i>Description</i> |
|-------------|--------------------|-------------|-------------------------|
| 10 | 105-3786 | 1 | Spring-Start |
| 20 | 98-9681 | 1 | Spring-Governor |
| 30 | 107-9082 | 1 | Fork Lever ASM |
| 40 | 107-9084 | 1 | Lever-Fork |
| 50 | 107-9085 | 1 | Shaft-Lever, Fork |
| 60 | 107-9086 | 1 | Shaft-Lever, Fork |
| 70 | 98-9570 | 1 | Bearing-Miniaturize |
| 80 | 98-9569 | 1 | Cover-Shaft, Fork Lever |
| 90 | 98-9682 | 1 | Gasket |
| 100 | 98-9350 | 2 | Bolt |
| 110 | 98-9567 | 1 | Collar |
| 120 | 98-9571 | 1 | Bearing-Miniaturize |



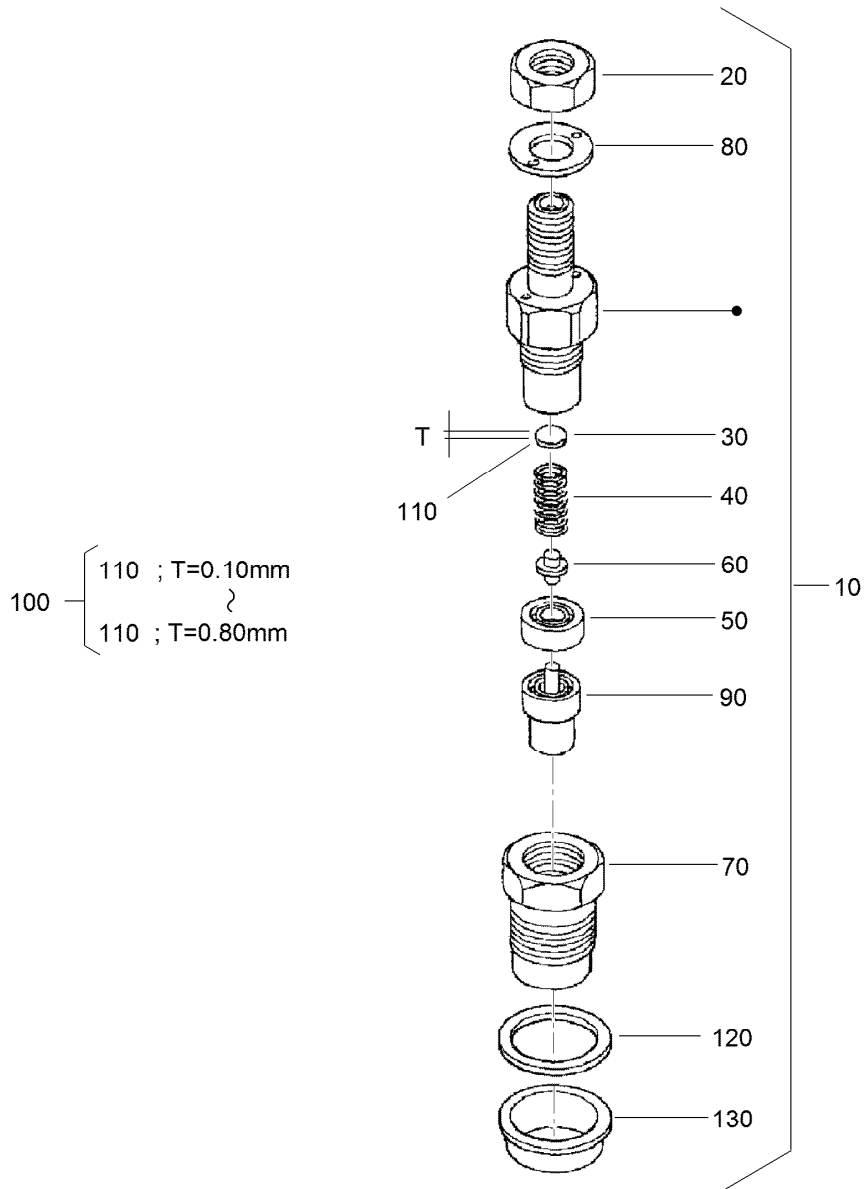
Speed Control Plate Assembly

| <i>Ref.</i> | <i>Part Number</i> | <i>Qty.</i> | <i>Description</i> |
|-------------|--------------------|-------------|----------------------|
| 10 | 105-3735 | 1 | Control Plate ASM |
| 20 | 98-9662 | 1 | Lever-Control, Speed |
| 30 | 98-9572 | 2 | Lever-Control, Speed |
| 40 | 105-3788 | 1 | O-Ring |
| 50 | 98-7602 | 2 | Pin-Spring |
| 60 | 98-9594 | 2 | Washer-Plain |
| 70 | 98-9589 | 2 | Nut |
| 80 | 98-9658 | 1 | Governor Lever ASM |
| 90 | 98-9663 | 1 | Lever-Stop, Engine |
| 100 | 98-7601 | 1 | Seal-Oil |
| 110 | 98-9472 | 1 | Spring-Return |
| 120 | 98-9664 | 1 | Shaft-Lever, Stop |
| 130 | 98-9637 | 1 | Gasket |
| 140 | 98-7692 | 1 | Bolt |
| 150 | 99-8348 | 1 | Bolt |
| 160 | 98-7654 | 1 | Gasket |
| 170 | 105-3710 | 2 | Stud |
| 180 | 98-7572 | 2 | Nut |
| 190 | 98-7699 | 2 | Washer-Spring |



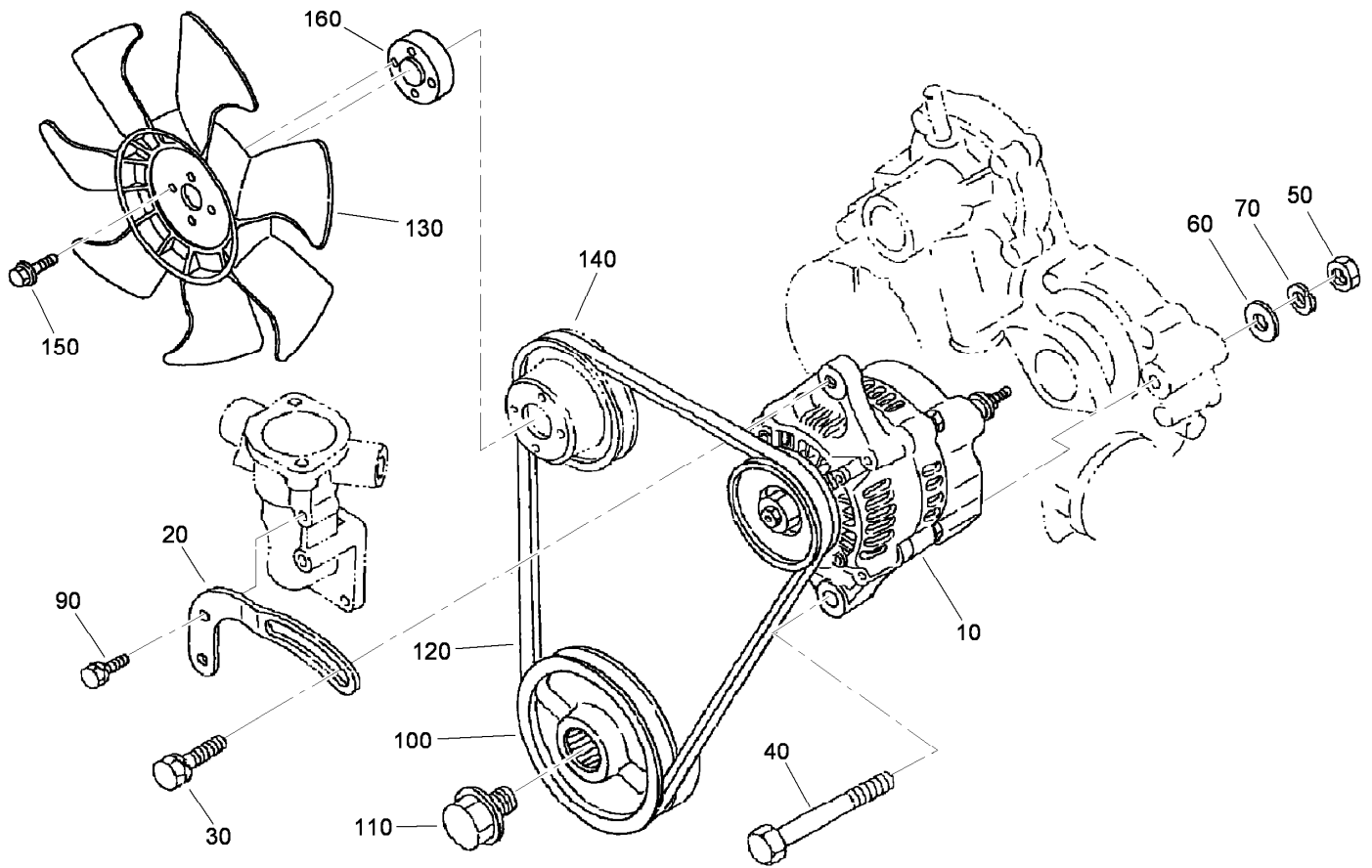
Nozzle Holder and Glow Plug Assembly

| Ref. | Part Number | Qty. | Description |
|------|-------------|------|--------------------|
| 10 | 98-9621 | 1 | Overflow Pipe ASM |
| 20 | 98-9431 | 1 | Screw-Bleeder, Air |
| 30 | 98-7654 | 1 | Gasket |
| 40 | 98-9624 | 1 | Overflow Pipe ASM |
| 50 | 98-7671 | 2 | Clip-Pipe |
| 55 | 108-2866 | 3 | Nozzle Holder Kit |
| 70 | 98-7676 | 3 | Gasket |
| 75 | 98-7677 | 3 | Seal-Heat |
| 80 | 98-9622 | 1 | Pipe-Injection |
| 90 | 98-9654 | 1 | Pipe-Injection |
| 100 | 98-9655 | 1 | Pipe-Injection |
| 110 | 98-7682 | 2 | Clamp-Pipe |
| 120 | 98-7683 | 2 | Clamp-Pipe |
| 130 | 98-7684 | 2 | Screw (W/Washer) |
| 140 | 98-9623 | 3 | Plug-Glow |
| 150 | 98-9631 | 1 | Cord-Plug, Glow |
| 160 | 99-8377 | 3 | Nut-Flange |



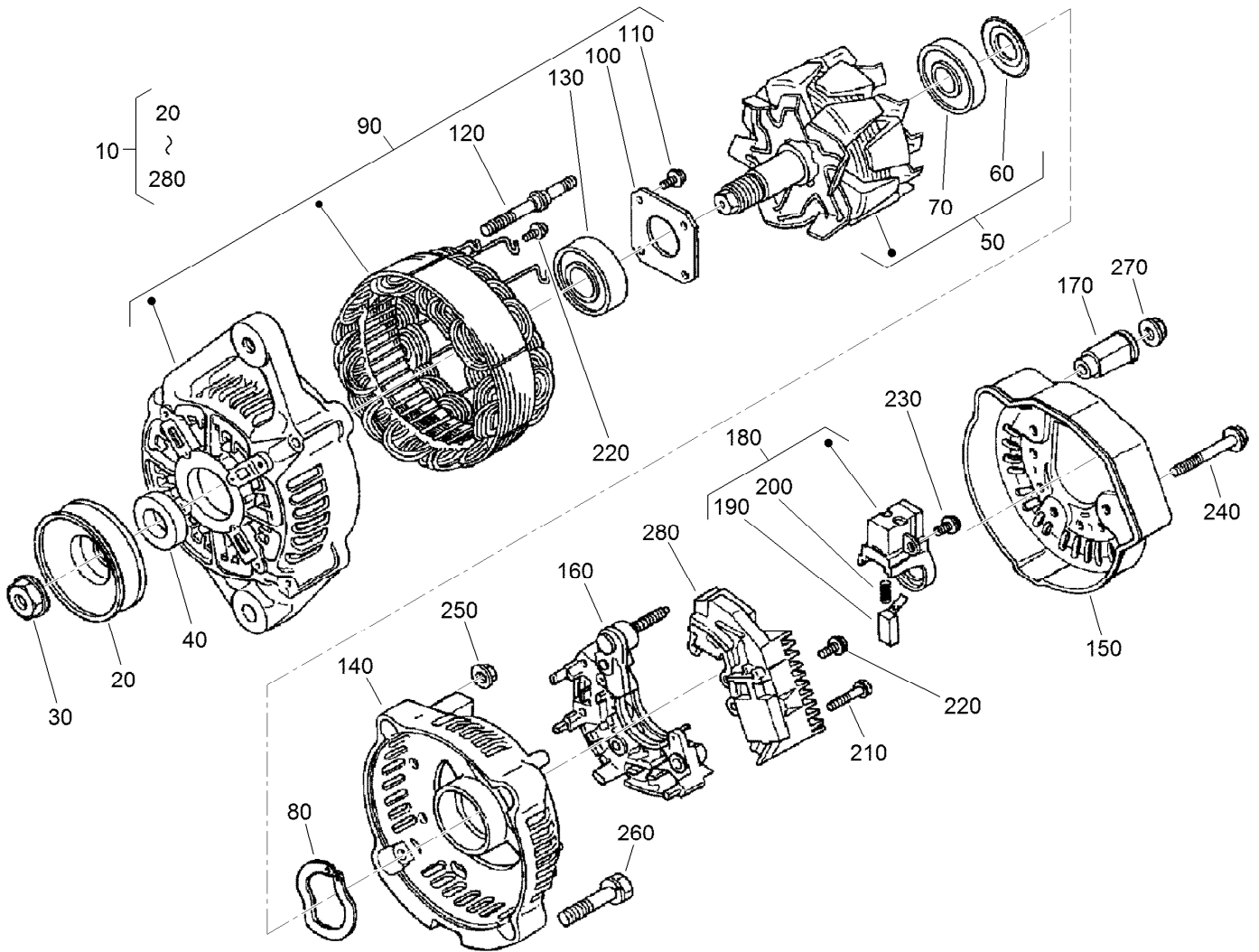
Nozzle Holder Assembly

| Ref. | Part Number | Qty. | Description | Ref. | Part Number | Qty. | Description |
|------|-------------|------|------------------------|------|-------------|------|------------------------|
| 10 | 108-2866 | 3 | Nozzle Holder Kit | 110 | 99-8311 | 3 | Washer-Adjust (0.20Mm) |
| 20 | 99-8301 | 3 | Nut | 110 | 99-8312 | 3 | Washer-Adjust (0.30Mm) |
| 30 | 99-8302 | 3 | Washer-Adjusting | 110 | 99-8313 | 3 | Washer-Adjust (0.40Mm) |
| 40 | 99-8303 | 3 | Spring-Nozzle | 110 | 99-8314 | 3 | Washer-Adjust (0.50Mm) |
| 50 | 99-8304 | 3 | Spacer-Distance | 110 | 99-8315 | 3 | Washer-Adjust (0.52Mm) |
| 60 | 99-8305 | 3 | Rod-Push | 110 | 99-8316 | 3 | Washer-Adjust (0.54Mm) |
| 70 | 99-8306 | 3 | Nut-Nozzle | 110 | 99-8317 | 3 | Washer-Adjust (0.56Mm) |
| 80 | 99-8307 | 3 | Washer-Plain | 110 | 99-8318 | 3 | Washer-Adjust (0.58Mm) |
| 90 | 107-7826 | 3 | Piece-Nozzle | 110 | 99-8319 | 3 | Washer-Adjust (0.80Mm) |
| 100 | 99-8309 | 3 | Adjusting Washer ASM | 120 | 98-7676 | 3 | Gasket |
| 110 | 99-8310 | 3 | Washer-Adjust (0.10Mm) | 130 | 98-7677 | 3 | Seal-Heat |



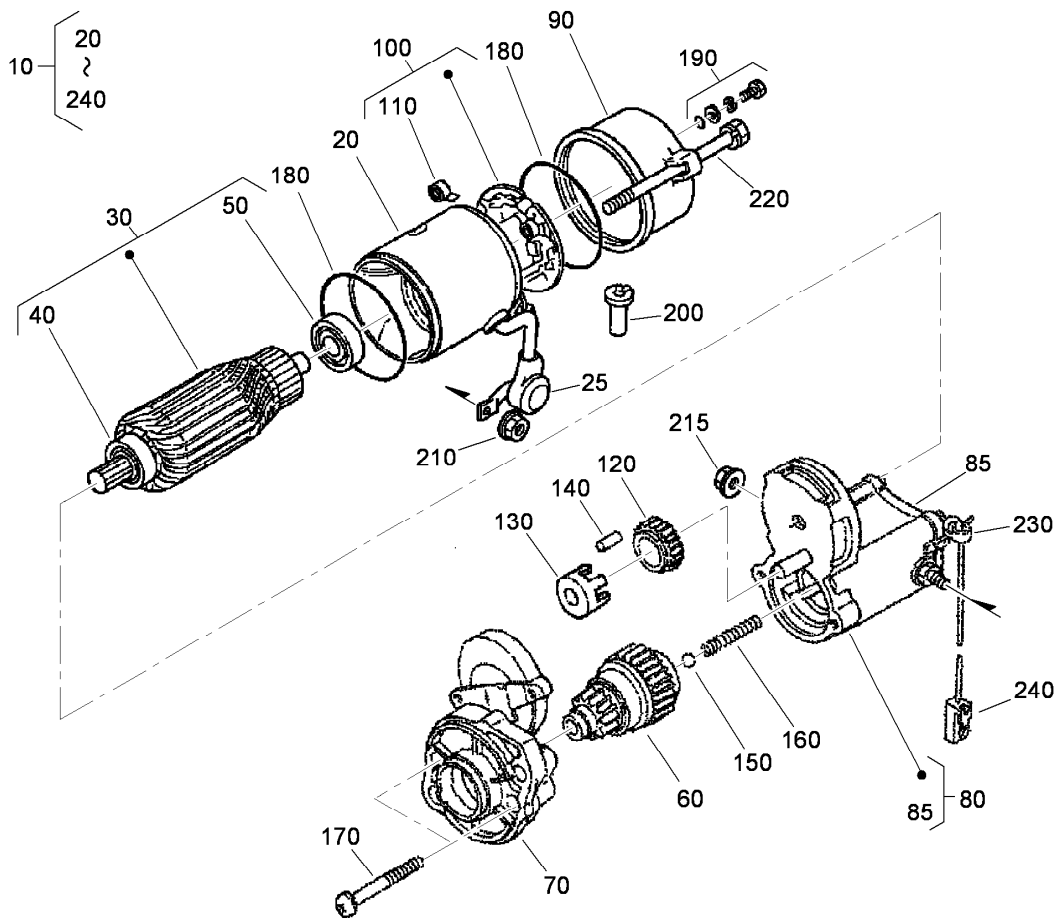
Alternator and Pulley Assembly

| <i>Ref.</i> | <i>Part Number</i> | <i>Qty.</i> | <i>Description</i> |
|-------------|--------------------|-------------|--------------------|
| 10 | 98-9474 | 1 | Alternator ASM |
| 20 | 112-7047 | 1 | Stay-Dynamo |
| 30 | 108-7088 | 1 | Bolt |
| 40 | 98-9360 | 1 | Bolt |
| 50 | 98-7737 | 1 | Nut |
| 60 | 98-9366 | 1 | Washer-Plain |
| 70 | 98-7738 | 1 | Washer-Spring |
| 90 | 98-7692 | 1 | Bolt |
| 100 | 98-9473 | 1 | Pulley-Drive, Fan |
| 110 | 98-9585 | 1 | Bolt |
| 120 | 98-9676 | 1 | V-Belt |
| 130 | 104-4246 | 1 | Fan-Engine |
| 140 | 98-9584 | 1 | Pulley-Fan |
| 150 | 33103-020 | 4 | Screw-HHF |
| 160 | 108-2872 | 1 | Collar-Fan |



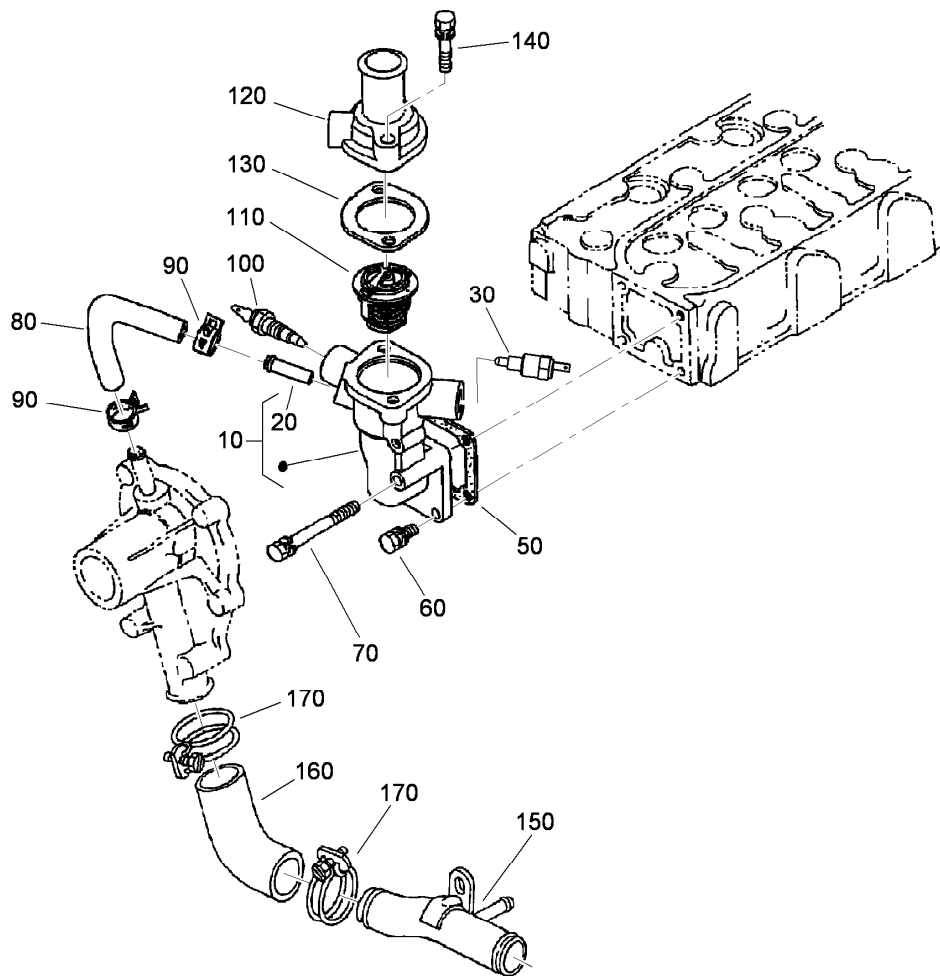
Alternator Components Assembly

| Ref. | Part Number | Qty. | Description | Ref. | Part Number | Qty. | Description |
|------|-------------|------|---------------------|------|-------------|------|--------------------|
| 10 | 98-9474 | 1 | Alternator ASM | 150 | 107-0140 | 1 | Cover-End |
| 20 | 98-9453 | 1 | Pulley-Dynamo | 160 | 98-7721 | 1 | Rectifier ASM |
| 30 | 98-7708 | 1 | Nut | 170 | 98-7722 | 1 | Bushing-Insulation |
| 40 | 98-7709 | 1 | Collar | 180 | 107-0141 | 1 | Brush Holder ASM |
| 50 | 107-0136 | 1 | Rotor ASM | 190 | 98-7724 | 2 | Brush |
| 60 | 98-7711 | 1 | Cover-Bearing | 200 | 98-7725 | 2 | Spring-Brush |
| 70 | 107-0138 | 1 | Bearing-Ball | 210 | 98-7726 | 2 | Screw-Head, Round |
| 80 | 98-7713 | 1 | Washer-Thrust | 220 | 98-7727 | 6 | Screw-Head, Round |
| 90 | 107-0139 | 1 | Drive End Frame ASM | 230 | 98-7728 | 1 | Screw-Head, Round |
| 100 | 98-7715 | 1 | Plate-Retainer | 240 | 98-7729 | 3 | Bolt |
| 110 | 98-7716 | 4 | Screw-Head, Round | 250 | 98-7730 | 2 | Nut |
| 120 | 98-7717 | 2 | Bolt-Through | 260 | 98-7731 | 2 | Bolt |
| 130 | 107-0137 | 1 | Bearing-Ball | 270 | 98-7732 | 1 | Nut |
| 140 | 107-9087 | 1 | Frame-End | 280 | 110-3799 | 1 | Regulator ASM |



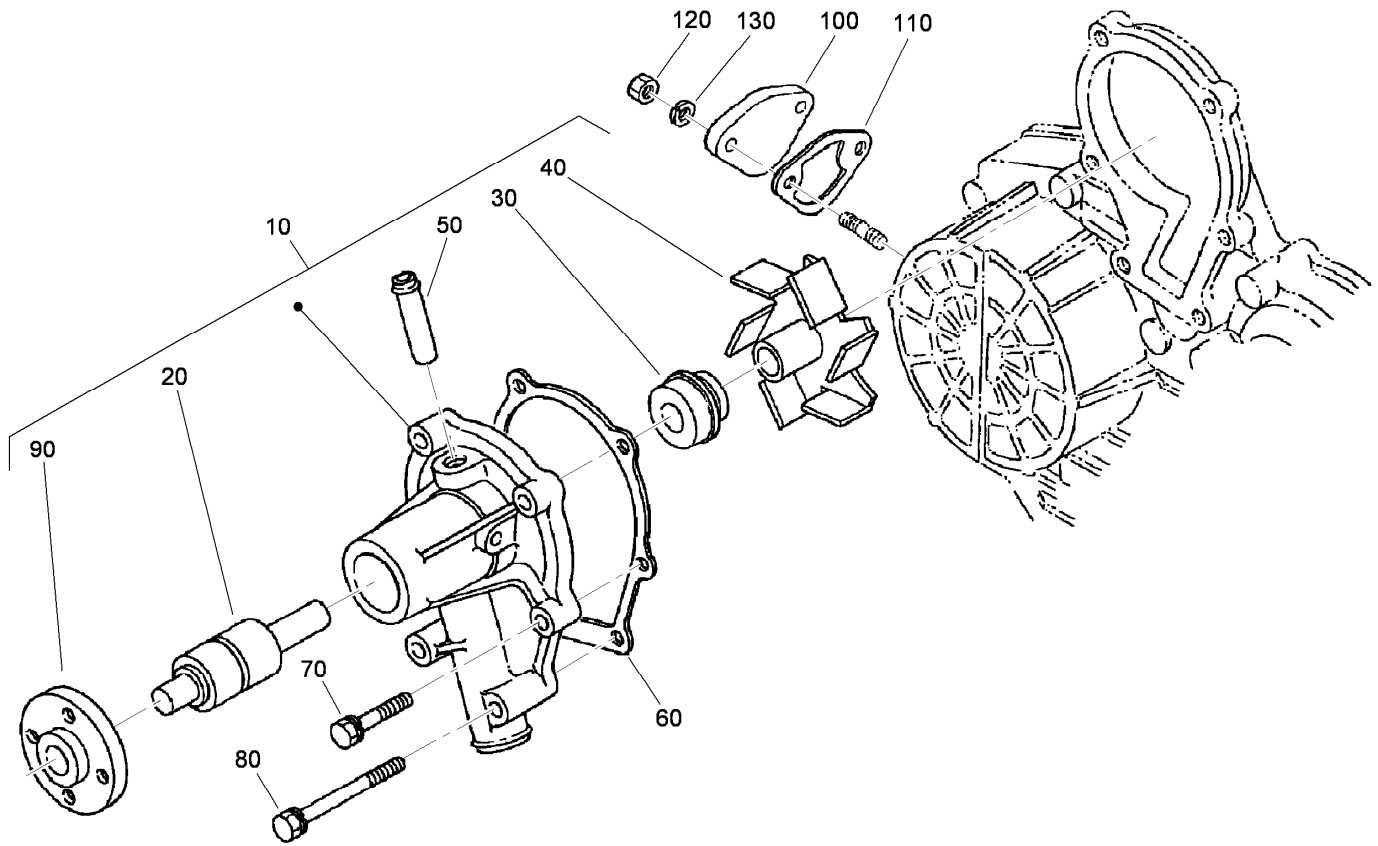
Starter (Component Part) Assembly No. 98-9705

| <i>Ref.</i> | <i>Part Number</i> | <i>Qty.</i> | <i>Description</i> | <i>Ref.</i> | <i>Part Number</i> | <i>Qty.</i> | <i>Description</i> |
|-------------|--------------------|-------------|----------------------|-------------|--------------------|-------------|---------------------|
| 10 | 98-9705 | 1 | Starter ASM | 130 | 98-7752 | 1 | Retainer |
| 20 | 104-8608 | 1 | Yoke ASM | 140 | 98-7753 | 5 | Roller |
| 25 | 99-8375 | 1 | Cover | 150 | 98-7755 | 1 | Ball |
| 30 | 98-7742 | 1 | Armature ASM | 160 | 98-7754 | 1 | Spring |
| 40 | 98-7744 | 1 | Bearing | 170 | 98-7756 | 2 | Bolt |
| 50 | 98-7743 | 1 | Bearing | 180 | 98-7757 | 2 | O-Ring |
| 60 | 99-8373 | 1 | Clutch-Running, Over | 190 | 98-7758 | 2 | Bolt ASM |
| 70 | 99-8374 | 1 | Frame-End, Drive | 200 | 98-7759 | 1 | Pipe-Drain |
| 80 | 105-3746 | 1 | Magnetic Switch ASM | 210 | 99-8371 | 1 | Nut-Hex |
| 85 | 105-2886 | 1 | Cover ASM | 215 | 99-8376 | 1 | Nut-Hex |
| 90 | 98-7748 | 1 | Frame-End | 220 | 100-9240 | 2 | Bolt |
| 100 | 98-7749 | 1 | Brush Holder ASM | 230 | 98-9712 | 1 | Band-Cover |
| 110 | 98-7750 | 4 | Spring-Brush | 240 | 98-9711 | 1 | Cord-Solenoid, Stop |
| 120 | 98-7751 | 1 | Gear | | | | |



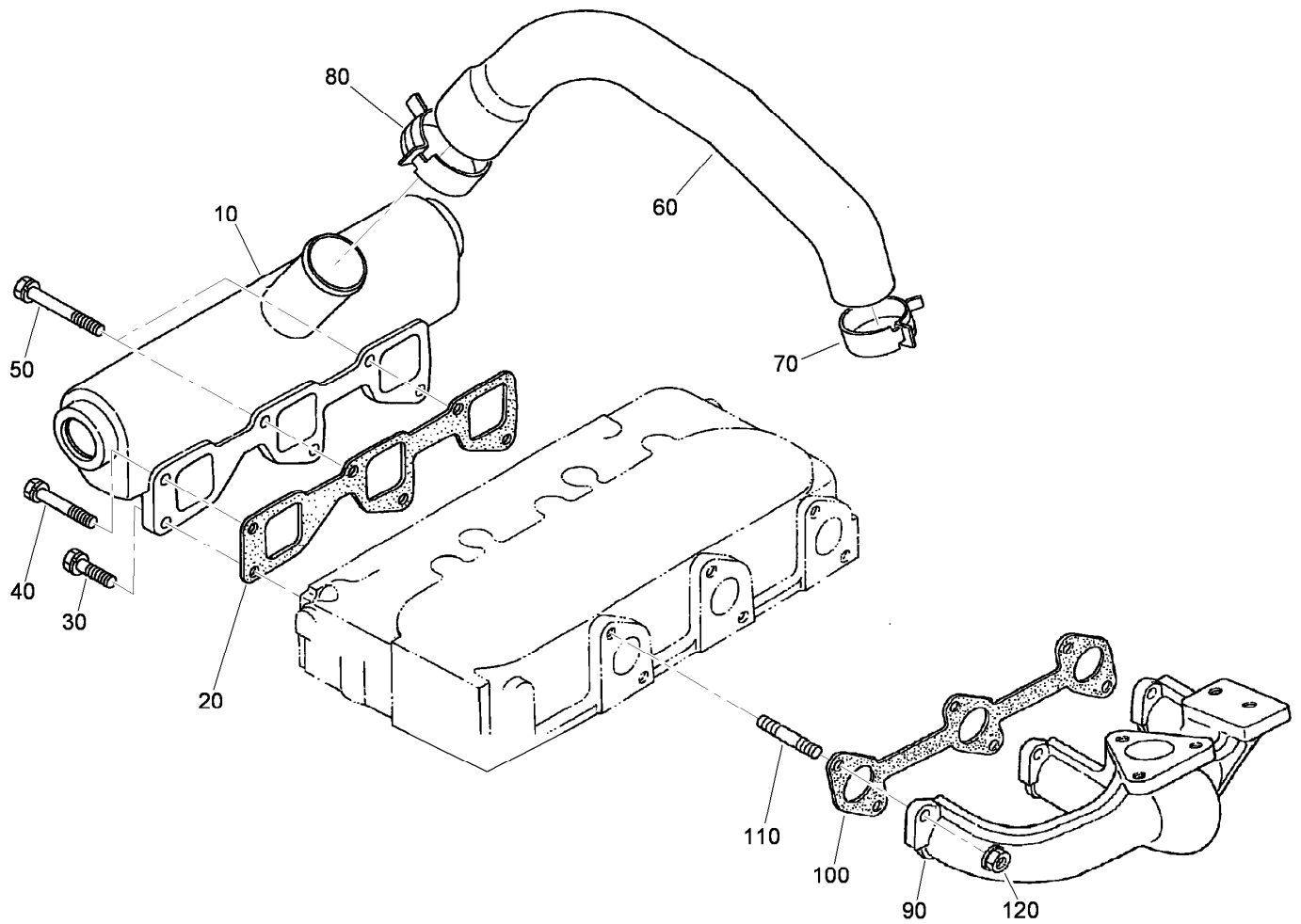
Water Flange and Thermostat Assembly

| <i>Ref.</i> | <i>Part Number</i> | <i>Qty.</i> | <i>Description</i> |
|-------------|--------------------|-------------|----------------------|
| 10 | 98-9713 | 1 | Water Flange ASM |
| 20 | 98-9580 | 1 | Pipe-Return, Water |
| 30 | 98-9719 | 1 | Thermoswitch |
| 50 | 98-9638 | 1 | Gasket-Flange, Water |
| 60 | 98-7692 | 3 | Bolt |
| 70 | 98-9356 | 1 | Bolt |
| 80 | 98-9578 | 1 | Pipe-Return, Water |
| 90 | 98-9579 | 2 | Band-Pipe |
| 100 | 112-0183 | 1 | Switch-Thermometer |
| 110 | 98-7778 | 1 | Thermostat ASM |
| 120 | 98-9471 | 1 | Cover-Thermostat |
| 130 | 105-3748 | 1 | Gasket-Thermostat |
| 140 | 98-7777 | 2 | Bolt |
| 150 | 99-8379 | 1 | Pipe-Water |
| 160 | 107-9091 | 1 | Pipe-Water |
| 170 | 98-9717 | 2 | Clamp |



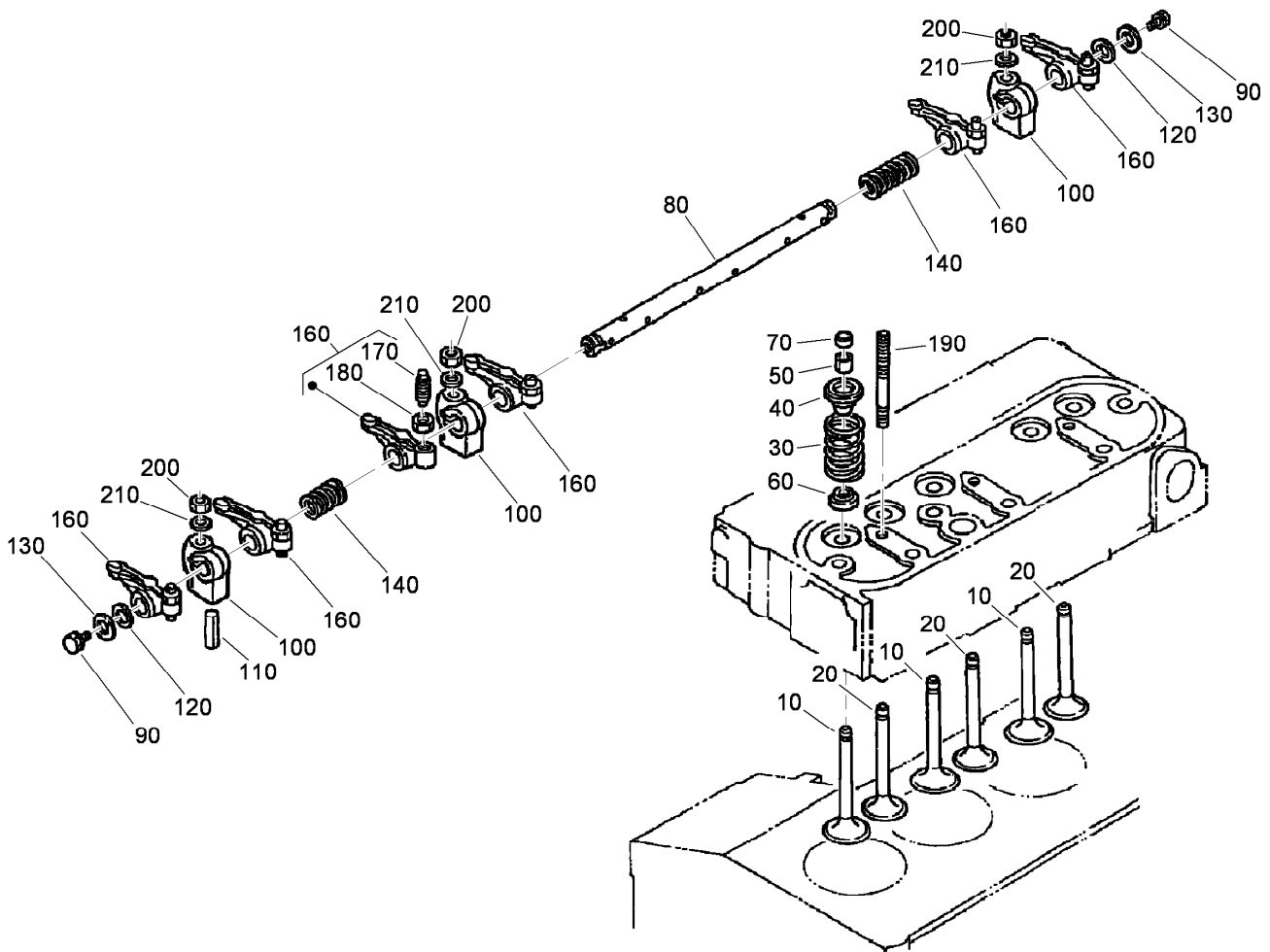
Water Pump Assembly

| <i>Ref.</i> | <i>Part Number</i> | <i>Qty.</i> | <i>Description</i> |
|-------------|--------------------|-------------|----------------------|
| 10 | 107-9089 | 1 | Water Pump ASM |
| 20 | 99-3517 | 1 | Bearing-Pump, Water |
| 30 | 105-3750 | 1 | Mechanical Seal ASM |
| 40 | 112-7017 | 1 | Impeller-Pump, Water |
| 50 | 100-1932 | 1 | Pipe-Return, Water |
| 60 | 99-3454 | 1 | Gasket-Pump, Water |
| 70 | 98-9353 | 4 | Bolt |
| 80 | 107-9090 | 2 | Bolt |
| 90 | 99-3516 | 1 | Flange-Pump, Water |
| 100 | 99-3514 | 1 | Cover |
| 110 | 98-9636 | 1 | Gasket-Pump, Fuel |
| 120 | 98-7572 | 2 | Nut |
| 130 | 98-7699 | 2 | Washer-Spring |



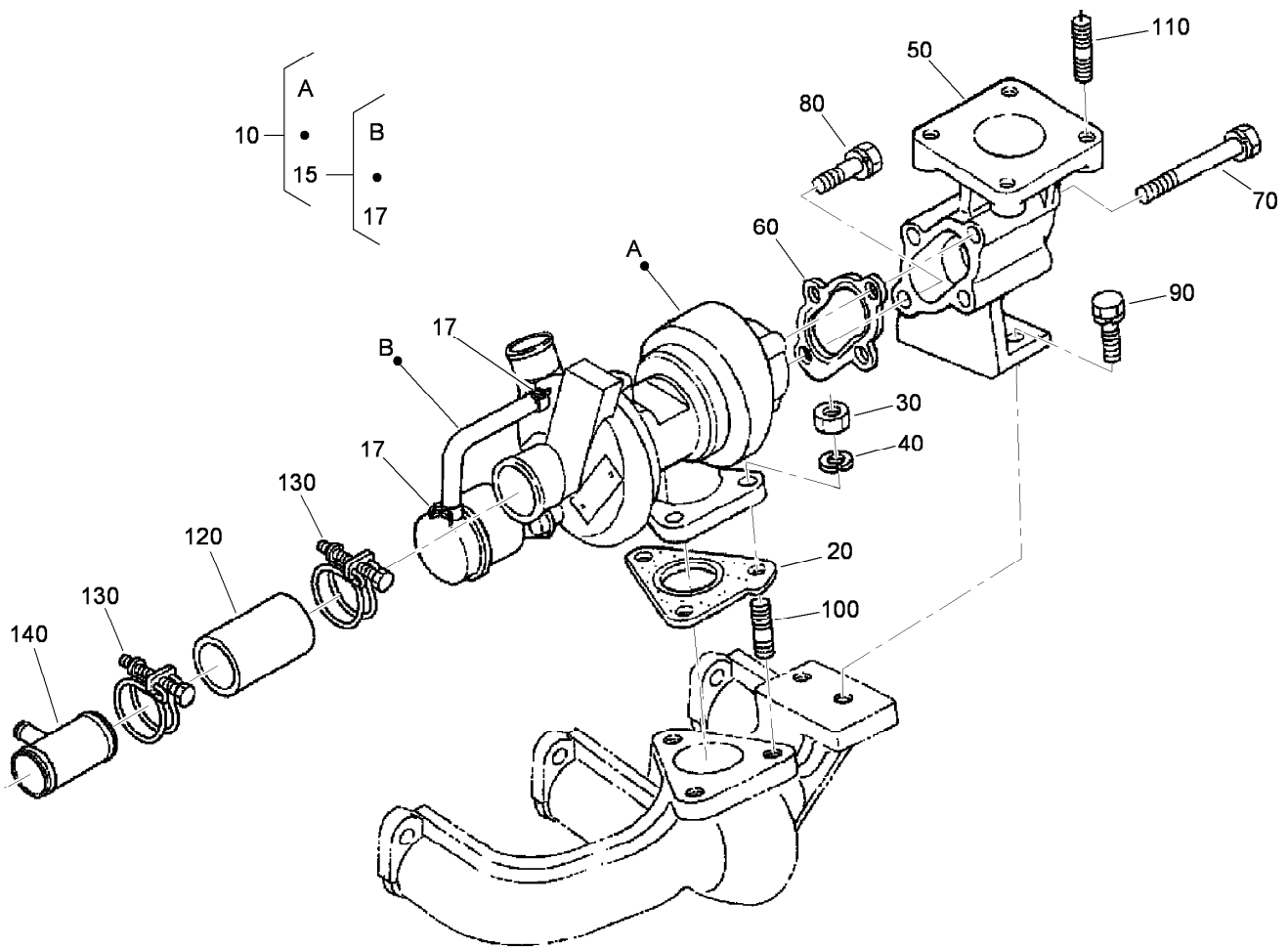
Inlet and Exhaust Manifold Assembly

| <i>Ref.</i> | <i>Part Number</i> | <i>Qty.</i> | <i>Description</i> |
|-------------|--------------------|-------------|--------------------------|
| 10 | 99-8321 | 1 | Manifold-Inlet |
| 20 | 99-8329 | 1 | Gasket-Manifold, Intake |
| 30 | 98-7568 | 3 | Bolt |
| 40 | 107-9073 | 1 | Bolt |
| 50 | 99-8320 | 2 | Bolt |
| 60 | 115-3047 | 1 | Hose-Inlet |
| 70 | 115-3048 | 1 | Clamp-Hose |
| 80 | 115-3049 | 1 | Clamp-Hose |
| 90 | 108-1411 | 1 | Manifold-Exhaust |
| 100 | 99-8327 | 1 | Gasket-Manifold, Exhaust |
| 110 | 98-9588 | 6 | Stud |
| 120 | 98-9665 | 6 | Nut |



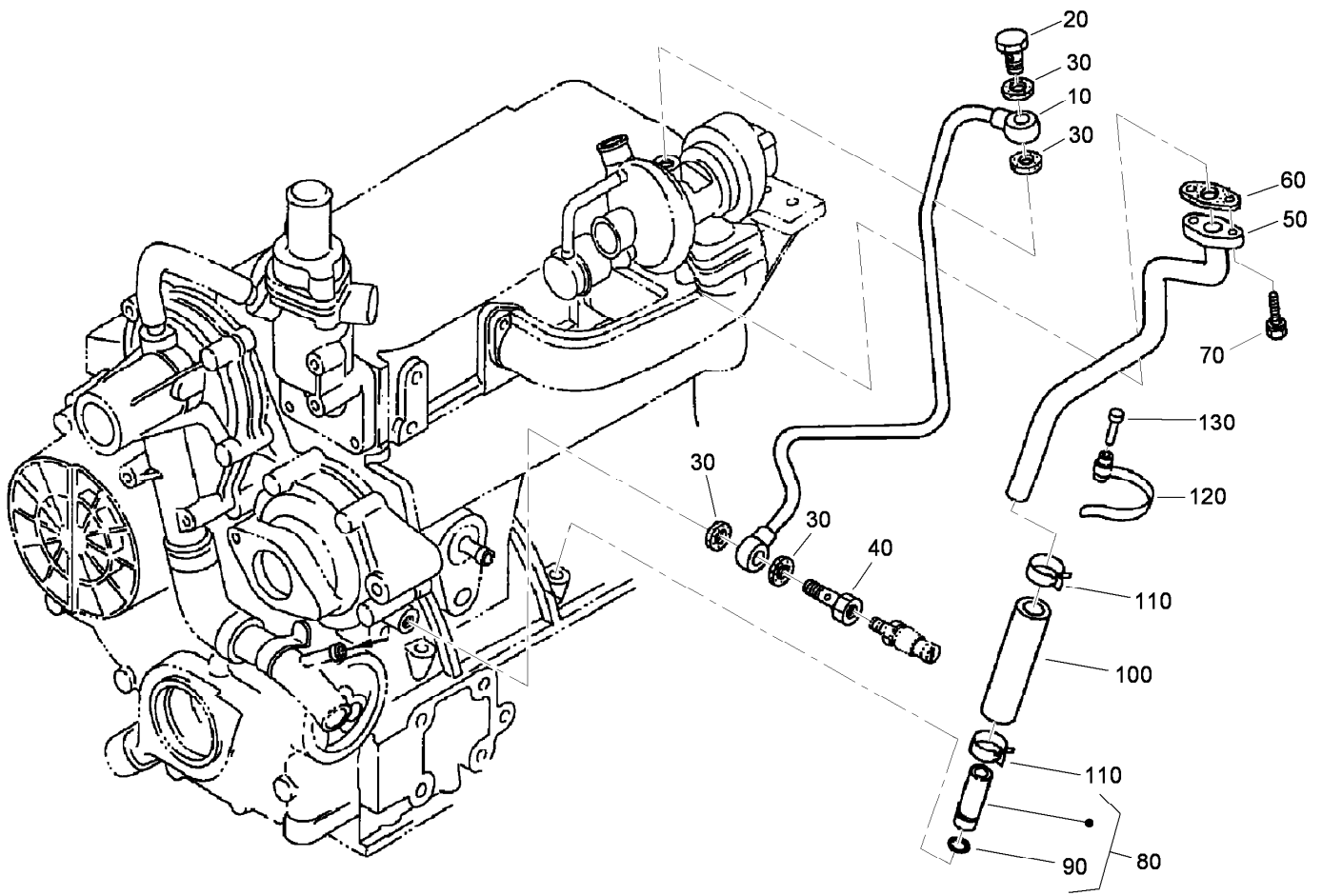
Valve and Rocker Arm Assembly

| <i>Ref.</i> | <i>Part Number</i> | <i>Qty.</i> | <i>Description</i> |
|-------------|--------------------|-------------|----------------------|
| 10 | 112-7018 | 3 | Valve-Inlet |
| 20 | 112-7019 | 3 | Valve-Exhaust |
| 30 | 98-9626 | 6 | Spring-Valve |
| 40 | 107-9092 | 6 | Retainer-Spring |
| 50 | 98-9390 | 6 | Collet-Spring, Valve |
| 60 | 99-8385 | 6 | Seal-Stem, Valve |
| 70 | 98-9497 | 6 | Cap-Valve |
| 80 | 105-3790 | 1 | R-Arm Shaft ASM |
| 90 | 100-9265 | 2 | Bolt |
| 100 | 98-9505 | 3 | Bracket-Arm, Rocker |
| 110 | 105-3758 | 1 | Pin-Spring |
| 120 | 98-9507 | 2 | Washer-Shaft, R-Arm |
| 130 | 110-3832 | 2 | Washer-Plain |
| 140 | 98-9504 | 2 | Spring-Arm, Rocker |
| 160 | 112-7020 | 6 | Rocker Arm ASM |
| 170 | 98-9502 | 6 | Screw-Adjusting |
| 180 | 98-9503 | 6 | Nut |
| 190 | 98-9506 | 3 | Stud |
| 200 | 98-9393 | 3 | Nut |
| 210 | 98-9385 | 3 | Washer-Flat |



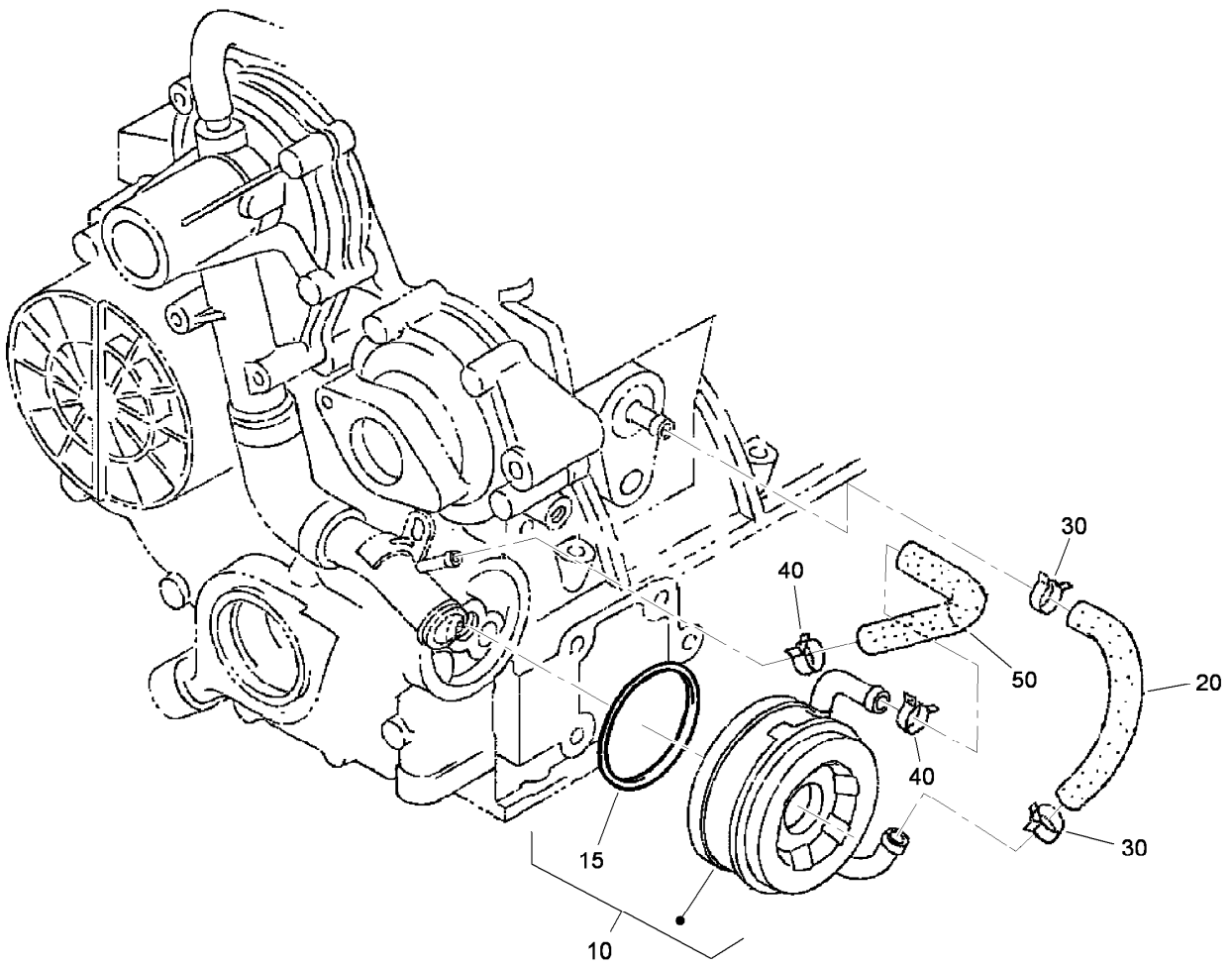
Turbo Charger Assembly

| <i>Ref.</i> | <i>Part Number</i> | <i>Qty.</i> | <i>Description</i> |
|-------------|--------------------|-------------|----------------------|
| 10 | 108-1412 | 1 | Turbo Charger ASM |
| 15 | 108-1413 | 1 | Hose ASM |
| 17 | 108-1414 | 2 | Clamp-Hose |
| 20 | 105-3767 | 1 | Gasket |
| 30 | 98-7534 | 3 | Nut |
| 40 | 105-2893 | 3 | Washer-Spring |
| 50 | 99-8335 | 1 | Flange-Muffler |
| 60 | 105-3768 | 1 | Gasket |
| 70 | 115-4100 | 3 | Bolt |
| 80 | 105-2895 | 1 | Bolt |
| 90 | 98-7610 | 2 | Bolt |
| 100 | 99-8342 | 3 | Stud |
| 110 | 98-7769 | 4 | Stud |
| 120 | 115-4101 | 1 | Tube-Inlet, Turbo |
| 130 | 115-4102 | 2 | Band |
| 140 | 115-4103 | 1 | Pipe-Inlet, Breather |



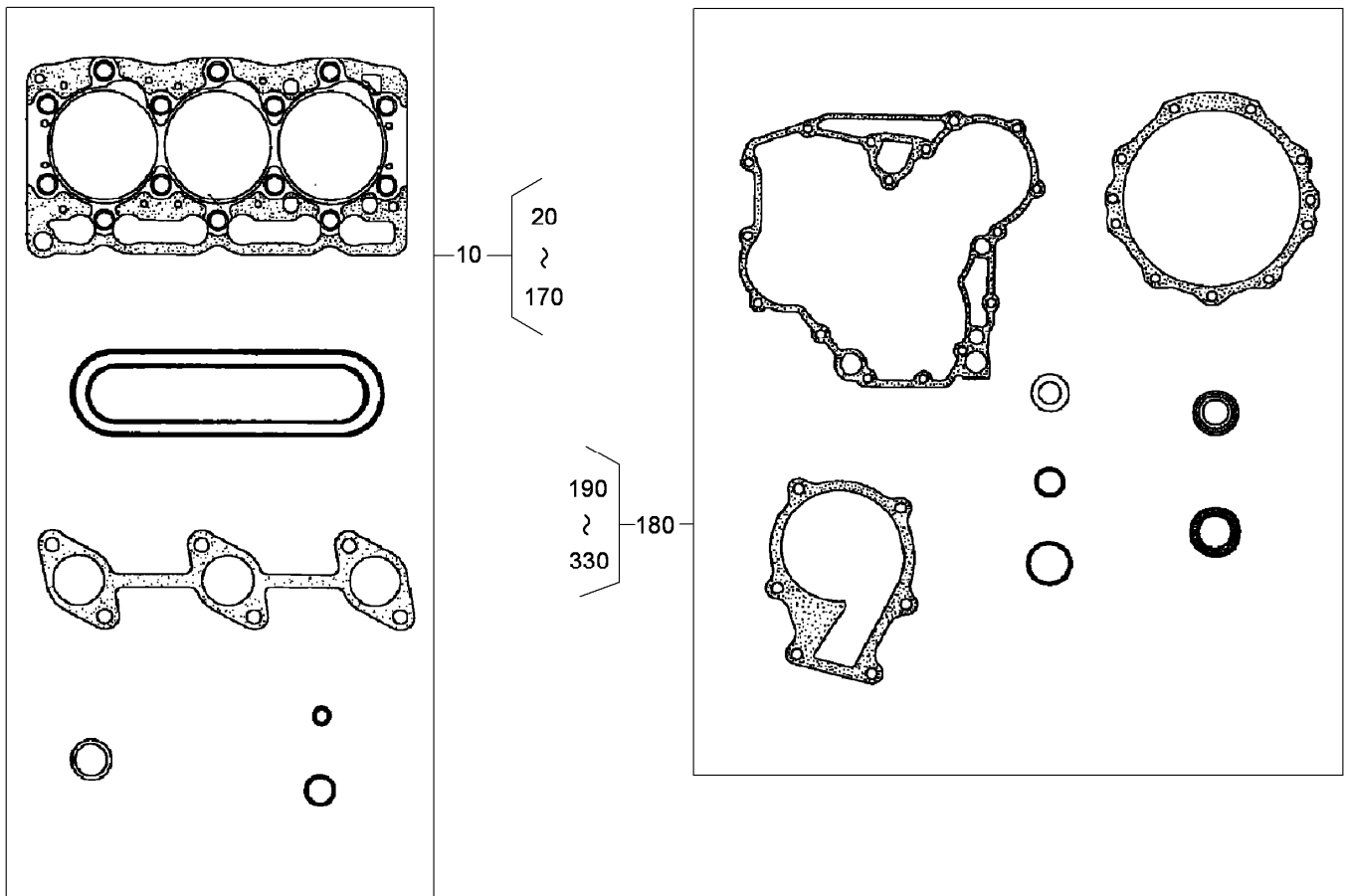
Turbo Charger Oil Pipe Assembly

| <i>Ref.</i> | <i>Part Number</i> | <i>Qty.</i> | <i>Description</i> |
|-------------|--------------------|-------------|--------------------|
| 10 | 98-9419 | 1 | Oil Pipe ASM |
| 20 | 98-9418 | 1 | Bolt-Joint, Eye |
| 30 | 99-8346 | 4 | Gasket |
| 40 | 98-9417 | 1 | Bolt-Joint, Eye |
| 50 | 98-9461 | 1 | Pipe Line ASM |
| 60 | 108-4422 | 1 | Gasket |
| 70 | 98-7605 | 2 | Bolt |
| 80 | 99-8383 | 1 | Oil Pipe ASM |
| 90 | 98-9722 | 1 | O-Ring |
| 100 | 98-9721 | 1 | Pipe-Oil |
| 110 | 98-9714 | 2 | Clamp-Hose |
| 120 | 98-9601 | 1 | Clamp-Pipe |
| 130 | 98-9591 | 1 | Pin-Band |



Oil Cooler Assembly

| <i>Ref.</i> | <i>Part Number</i> | <i>Qty.</i> | <i>Description</i> |
|-------------|--------------------|-------------|--------------------|
| 10 | 104-5158 | 1 | Oil Cooler ASM |
| 15 | 112-7030 | 1 | O-Ring |
| 20 | 98-9724 | 1 | Pipe-Cooler, Oil |
| 30 | 98-9579 | 2 | Band-Pipe |
| 40 | 98-9579 | 2 | Band-Pipe |
| 50 | 98-9578 | 1 | Pipe-Return, Water |

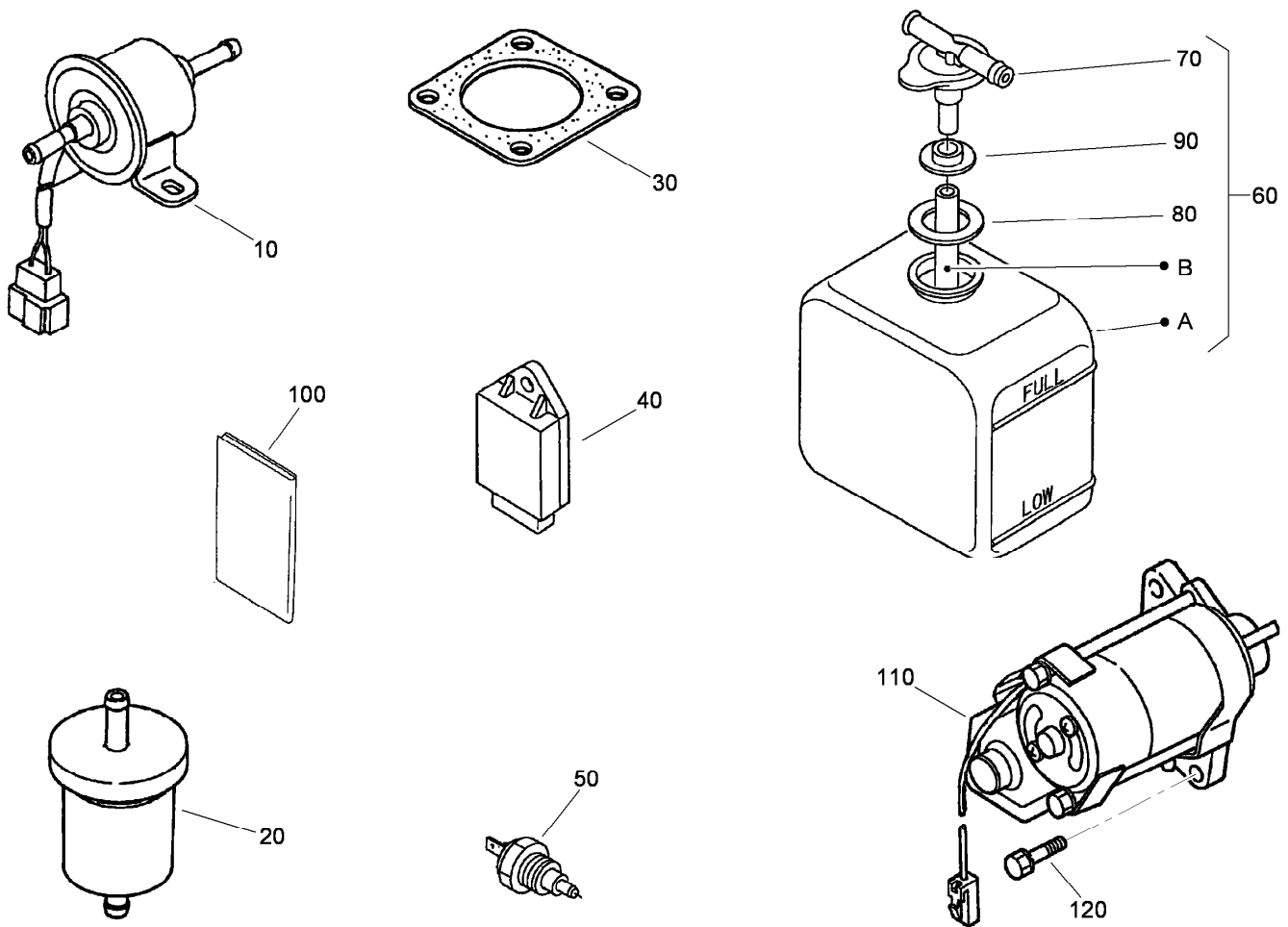


Gasket Kit

| Ref. | Part Number | Qty. | Description |
|------|-------------|------|----------------------------|
| 10 | 108-1415 | 1 | Upper Gasket Kit |
| 20 | 108-6573 | 1 | Gasket-Head, Cylinder ● |
| 40 | 99-8329 | 1 | Gasket-Manifold, Intake ● |
| 50 | 105-3767 | 1 | Gasket ● |
| 60 | 105-3768 | 1 | Gasket ● |
| 70 | 99-8327 | 1 | Gasket-Manifold, Exhaust ● |
| 80 | 99-8385 | 6 | Seal-Stem, Valve ● |
| 90 | 98-9615 | 1 | Gasket-Cover, Head ● |
| 100 | 98-9454 | 3 | Gasket ● |
| 110 | 99-3446 | 1 | O-Ring ● |
| 120 | 99-8346 | 4 | Gasket ● |
| 130 | 108-4422 | 1 | Gasket ● |
| 140 | 98-9722 | 1 | O-Ring ● |
| 150 | 98-9638 | 1 | Gasket-Flange, Water ● |
| 160 | 105-3748 | 1 | Gasket-Thermostat ● |
| 170 | 99-8343 | 1 | Gasket-Muffler ● |
| 180 | 112-7041 | 1 | Lower Gasket Kit |

| Ref. | Part Number | Qty. | Description |
|------|-------------|------|------------------------------|
| 190 | 98-9632 | 1 | Gasket-Pump, Water ● |
| 200 | 98-9633 | 1 | Gasket-Case, Gear ● |
| 210 | 105-3781 | 2 | O-Ring ● |
| 220 | 105-3777 | 2 | O-Ring ● |
| 230 | 98-9634 | 1 | Gasket-Case, Bearing ● |
| 240 | 98-9635 | 1 | Gasket-Cover, Bearing Case ● |
| 250 | 105-3783 | 1 | O-Ring ● |
| 260 | 105-3776 | 1 | O-Ring ● |
| 270 | 98-9729 | 1 | O-Ring ● |
| 280 | 98-9636 | 1 | Gasket-Pump, Fuel ● |
| 290 | 98-9682 | 1 | Gasket ● |
| 300 | 105-3788 | 1 | O-Ring ● |
| 310 | 98-7601 | 1 | Seal-Oil ● |
| 320 | 98-9637 | 1 | Gasket ● |
| 330 | 98-9683 | 1 | Gasket-Cover, Solenoid ● |

● Not illustrated



Electric Fuel Pump, Fuel Filter, Starter and Overflow Bottle Assemblies

| <i>Ref.</i> | <i>Part Number</i> | <i>Qty.</i> | <i>Description</i> |
|-------------|--------------------|-------------|---------------------|
| 10 | 107-0122 | 1 | Pump-Fuel, Electric |
| 20 | 98-7612 | 1 | Filter-Fuel |
| 30 | 99-8343 | 1 | Gasket-Muffler |
| 40 | 98-7611 | 1 | Controller-Glow |
| 50 | 98-9719 | 1 | Thermoswitch |
| 60 | 108-0638 | 1 | Bottle-Overflow |
| 70 | 105-3754 | 1 | Cap |
| 80 | 105-3755 | 1 | Gasket |
| 90 | 105-3756 | 1 | Plate |
| 100 | 115-4104 | 1 | Operator Manual |
| 110 | 98-9705 | 1 | Starter ASM |
| 120 | 98-7697 | 2 | Bolt |

Attachments and Accessories

For 30363TC Groundsmaster 7210 Traction Unit with 72in Side Discharge Mower

| Product Name | Model/Part |
|---|------------|
| Tooth Rake | 08751 |
| Finish Grader | 08754 |
| Drag Mat Carrier System | 08756 |
| Steel Drag Mat | 08757 |
| Coco Drag Mat | 08758 |
| Lug Tire (24 X 12 - 12) | 103-6771 |
| Bahiagrass Baffle Kit | 105-7269 |
| Blade-Belt Kit | 105-7272 |
| Striping Kit | 105-7273 |
| Yellow Hydraulic Cap | 107-1576 |
| Green Diesel Cap | 107-2172 |
| Premium Engine Oil, 15w40 (55 Gallon Drum) | 108-1181 |
| Premium Engine Oil, 15w40 (5 Gallon Pail) | 108-1182 |
| Premium Transmission/Hydraulic Tractor Fluid (55 Gallon Drum) | 108-1183 |
| Premium Transmission/Hydraulic Tractor Fluid (5 Gallon Pail) | 108-1184 |
| Leaf Mulching Kit | 108-5273 |
| Wheel and Tire ASM (Semi Pneumatic) | 110-6406 |
| Spark Arrestor Kit | 112-1688 |
| Bio-Diesel Fuel Filter Kit | 112-9140 |
| Slow Moving Vehicle Kit | 114-4050 |
| 5in Air Cleaner Safety Element | 114-4057 |
| Weight Mount Bracket Kit | 114-4090 |
| 42-pound Weight, For Kit 114-4090 | 114-4096 |
| 60-Amp Alternator Kit, Kubota 05 Series-Powered Traction Unit | 117-5540 |
| Overflow Tank Kit | 117-5570 |
| Fender Kit | 117-9170 |
| Roll-Over Protection Kit | 117-9179 |
| CE Kit | 117-9248 |
| CE Kit, Grass Collection System | 117-9249 |
| Brake Service Kit | 120-0015 |
| MVP (Filter) Kit | 30037 |
| 400-hour Filter Maintenance Kit | 30052 |
| Guardian Recycler Completion Kit | 30304 |
| Guardian Fine Recycler Completion Kit | 30346 |
| Recycler Kit | 30347 |
| Hardtop Sunshade | 30359 |
| Polar Trac Kit | 30370 |
| Polar Trac Cab | 30371 |
| Road Light Kit | 30374 |
| Z-Stand Kit | 30375 |
| Rear Quick Attach System | 30377 |
| V-Plow Mounting Kit | 30378 |
| Auxiliary Hydraulic Power Kit | 30380 |
| Auxiliary Power Unit | 30382 |
| CE Kit | 30392 |

Attachments and Accessories (continued)

| | |
|-------------------------------|-------|
| Debris Blower | 30393 |
| Grass Collection System | 30460 |
| Rear Discharge Kit..... | 30466 |
| 48in V-Plow..... | 30750 |

Notes:

Notes:



Count on it.