



Count on it.

Parts Catalog

Groundsmaster® 7210

Traction Unit

Model No. 30381—Serial No. 312000301 and Up



Ordering Replacement Parts

To order replacement parts, please supply the part number, the quantity, and the description of each part desired.

Understanding Reference Numbers

Each identified part in an illustration has a reference number. The reference number for a part also appears in the parts list, along with other information about the part.

This catalog uses two special reference number formats, one to indicate parts in a service assembly and another to indicate the quantity of a given part in an illustration.

Service Assembly Reference Numbers

Parts in service assemblies have reference numbers in the form a:b. The a represents the reference number of the entire service assembly and the b represents a sequential number unique to each part within the service assembly.

For example, a wheel assembly might be identified by reference number 6, the tire by 6:1, the valve by 6:2, and the wheel by 6:3. When you order the assembly identified by reference number 6, you receive all parts identified by reference numbers 6:1, 6:2, and 6:3. However, you may also order any part individually. Reference numbers of this type appear in illustration and in parts lists.

Reference Numbers Indicating Quantity

In an illustration, if a reference number indicates more than one part, the reference number has the form nX y. The n represents the quantity of the part, the X is the multiplication symbol, and the y represents the reference number.

For example, in an illustration, the reference number 2X 37 means that two of the parts identified by reference number 37 are indicated.

List of Abbreviations

AR: as required

ASM: assembly

BBC: blade brake control

BHTF: button head thread forming

CARR: carriage

CCW: counter clockwise

CW: clockwise

DEG: degrees

DPA: Dual Point Adjustment

ECM: electronic control module

EXT: external

FH: flat head

GA: gauge

HD: heavy-duty

HF: hex flange

HH: hex head

HHF: hex head flange

HHFTF: hex head flange thread forming

HJ: hex jam

HLH: hex lag head

HOC: height-of-cut

HSBH: hex socket button head

HSFH: hex socket flat head

HSH: hex socket head

HWH: hex washer head

HWTF: hex washer head thread forming

HYD: hydraulic

LH: left hand

LPG: Liquid Propane Gas

NI: nylon insert

NPTF: national pipe thread fine

PFH: phillips flat head

PPH: phillips pan head

PPHTF: phillips pan head thread forming

PRH: phillips round head

PTH: phillips truss head

PTO: power-take-off

RH: right hand

ROPS: roll-over protection system

RRB: rear roller brush

SFH: slotted fillister head

SHH: slotted hex head

SHWH: slotted hex washer head

SPH: slotted pan head

SQH: square head

SRH: slotted round head

STD: standard

TAP: self tapping

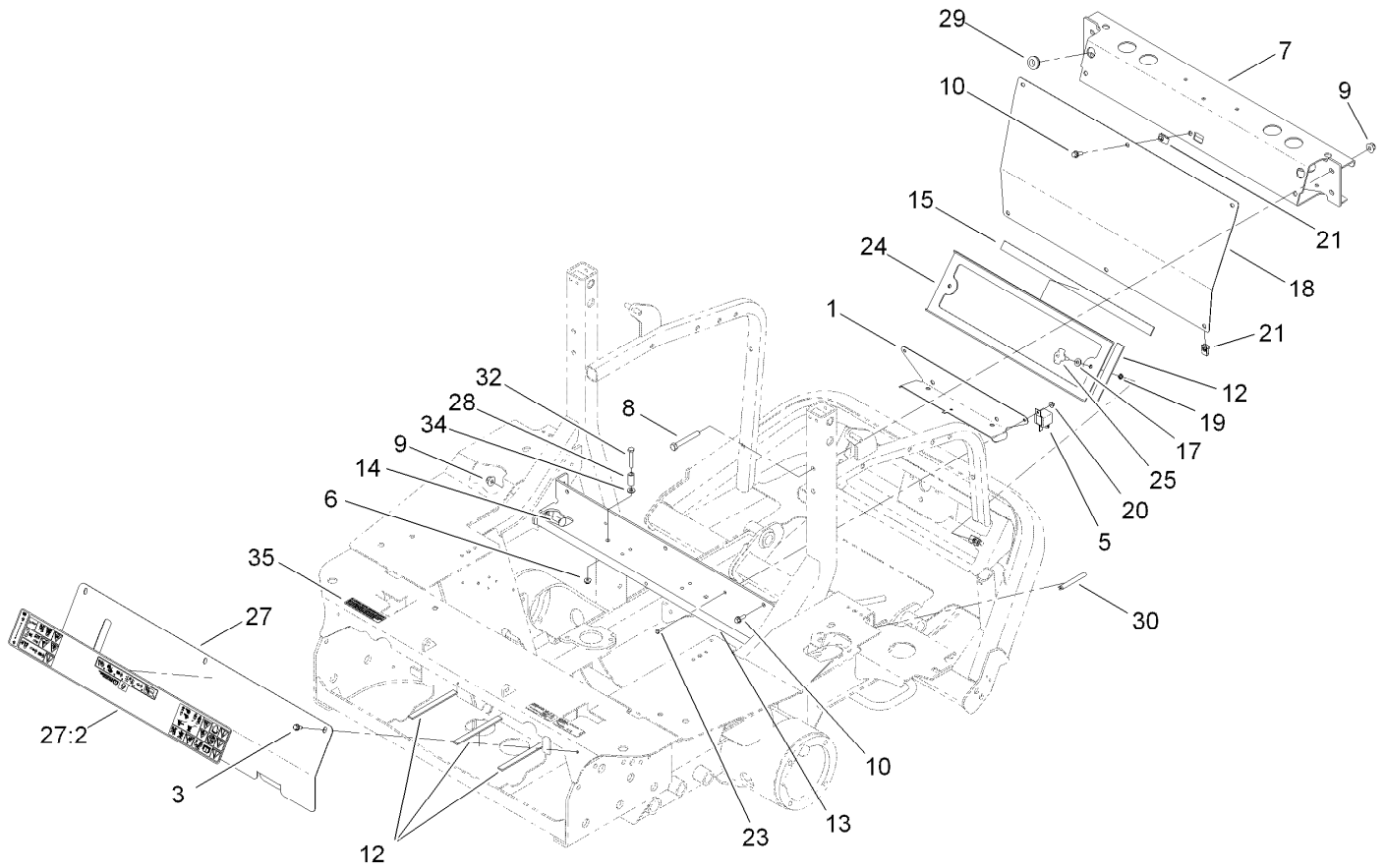
TTH: torx truss head

Contents

Frame Assembly	5
Radiator Assembly	6
Control Panel Assembly	7
Transmission Assembly	8
Hydraulic Gear Pump Assembly No. 112-9542	10
Charge Pump Housing Assembly Transmission Assembly No. 121-3370	11
Center Section Assembly Transmission Assembly No. 121-3370	12
Gear Case and Clutch Assembly Transmission Assembly No. 121-3370	13
Traction Control Assembly	14
Engine Component Assembly	16
Air Cleaner Assembly No. 104-3428	18
Engine, Muffler and Shield Assembly	19
Hydraulic Assembly	20
Parking Brake Assembly	21
Electrical Assembly	22
Hood Assembly	23
Fuel Tank Assembly	24
LH Fuel Tank Assembly No. 110-8230	25
RH Fuel Tank Assembly No. 110-8236	26
Seat Assembly	27
Seat Assembly No. 107-2286	28
Driveshaft Assembly	29
Driveshaft Assembly No. 110-3575	30
Rear Drive Assembly	31
Hydraulic Motor Assembly No. 108-5230	32
Hydraulic Motor Assembly No. 108-5155	33
LH Brake Caliper Assembly No. 120-0013	34
RH Brake Caliper Assembly No. 120-0014	35
Crankcase Assembly	36
Oil Pan Assembly	37
Cylinder Head Assembly	38
Head Cover Assembly	39
Gear Case Assembly	40
Main Bearing Case Assembly	41
Camshaft and Idle Gear Shaft Assembly	42
Piston and Crankshaft Assembly	43
Flywheel Assembly	44
Fuel Camshaft and Governor Shaft Assembly	45
Idle Apparatus Assembly	46
Injection Pump Assembly	47
Governor Assembly	48
Speed Control Plate Assembly	49
Nozzle Holder and Glow Plug Assembly	50
Nozzle Holder Assembly	51
Alternator and Pulley Assembly	52
Alternator Components Assembly	53
Starter (Component Part) Assembly No. 98-9705	54
Water Flange and Thermostat Assembly	55
Water Pump Assembly	56
Inlet and Exhaust Manifold Assembly	57
Valve and Rocker Arm Assembly	58
Turbo Charger Assembly	59
Turbo Charger Oil Pipe Assembly	60
Oil Cooler Assembly	61

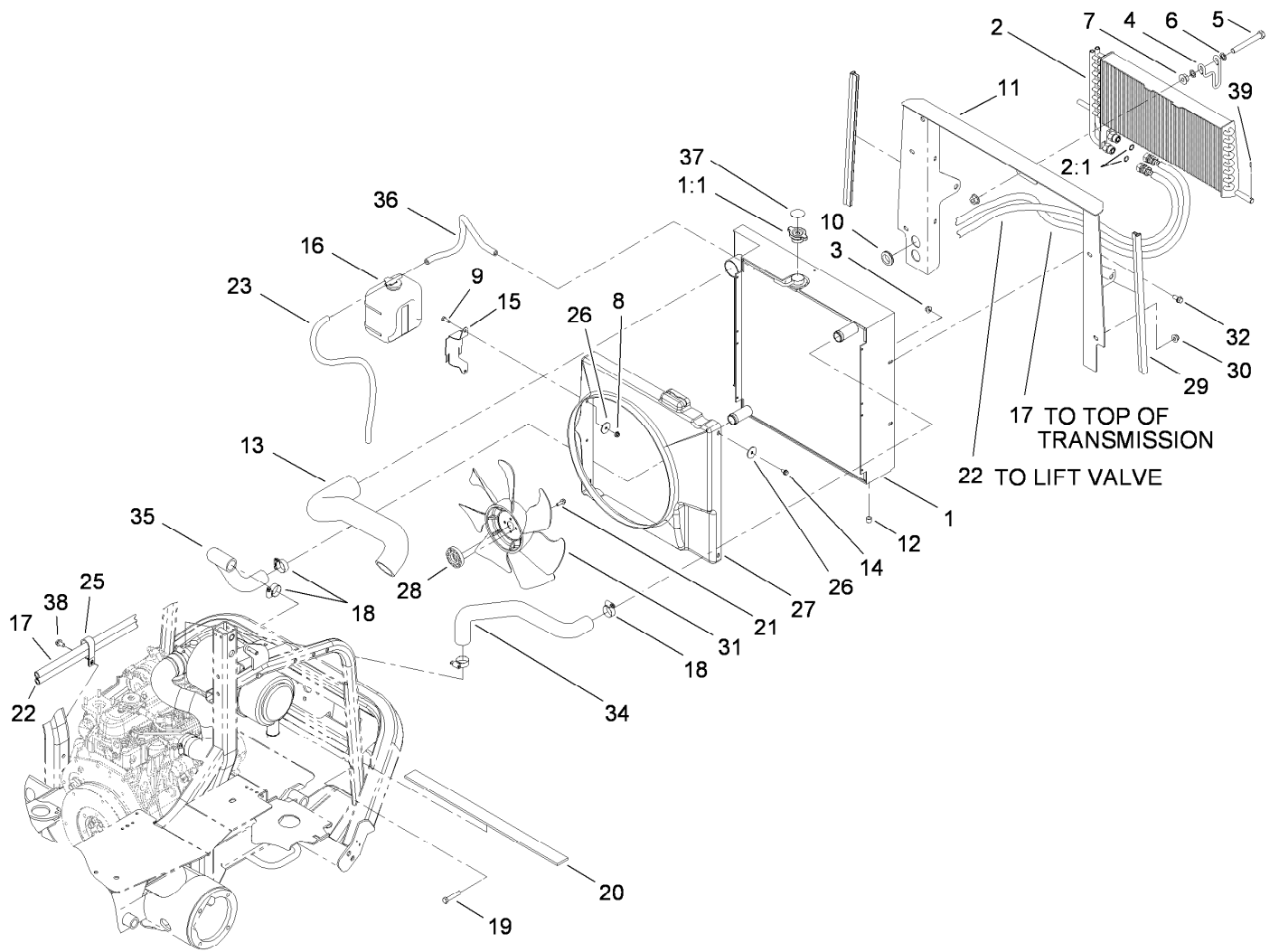
Contents (continued)

Gasket Kit 62
Electric Fuel Pump, Fuel Filter, Starter and Overflow Bottle Assemblies 63
Attachments and Accessories 64



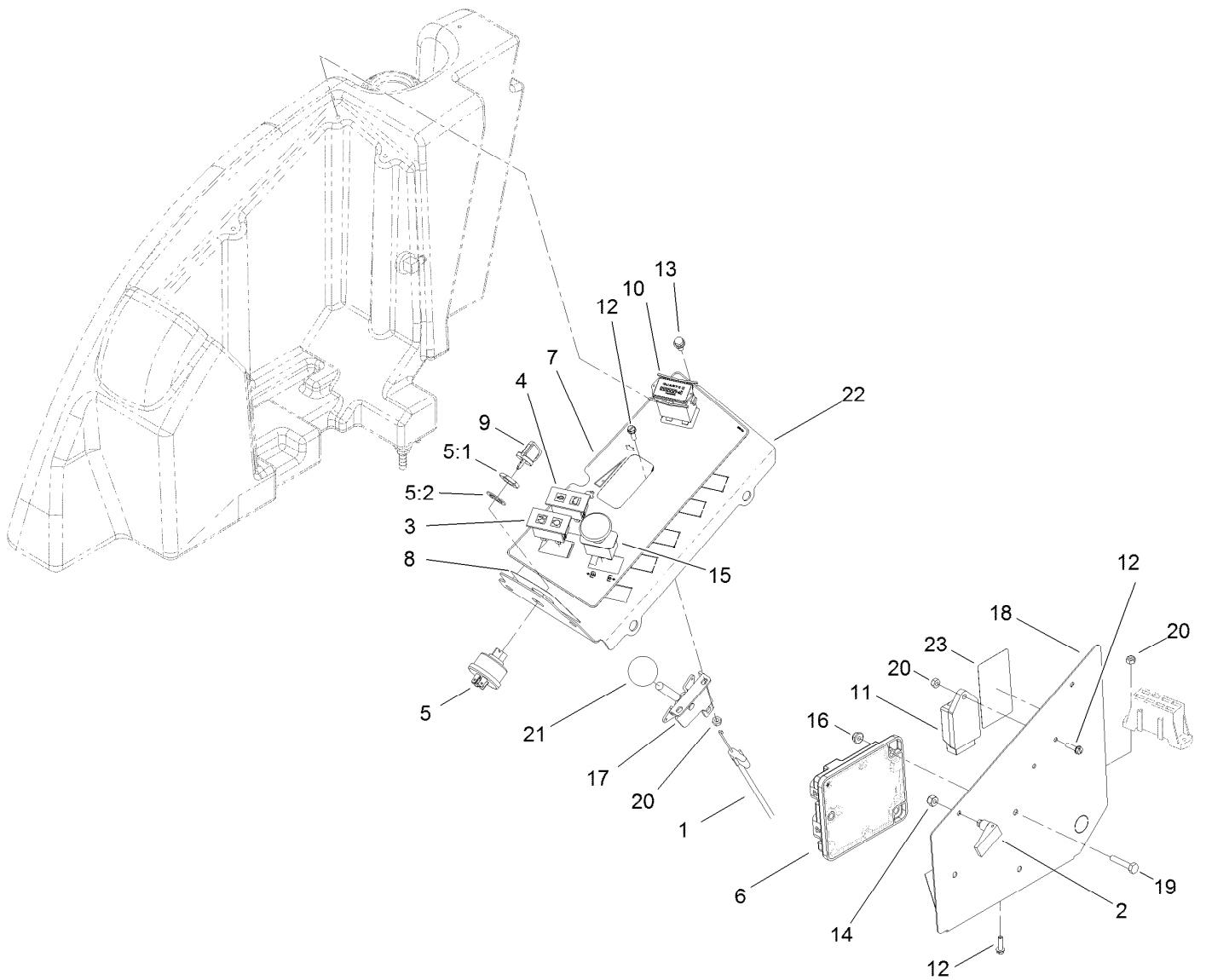
Frame Assembly

<i>Ref.</i>	<i>Part Number</i>	<i>Qty.</i>	<i>Description</i>	<i>Ref.</i>	<i>Part Number</i>	<i>Qty.</i>	<i>Description</i>
1	114-4055-03	1	Bracket-Wire	19	32151-106	2	Ring-Retaining
3	32144-10	3	Screw-HWH	20	3290-148	2	Nut-HF
5	99-7435	1	Relay-Power	21	107069	8	Clip
6	104-7201	2	Nut-HF	23	3290-134	2	Screw
7	112-6361-03	1	Crossmember ASM	24	112-6384-03	1	Screen ASM
8	323-13	4	Screw-HH	25	98-8332	2	Knob
9	104-8301	8	Nut-Flange, NI	27	110-9794	1	Cover-Front
10	3234-4	6	Screw-HHF	27:2	110-9772	1	Decal-Safety
12	120-0017	5	Strip-Foam	28	95-5807	2	Spacer
13	105-7296-03	1	Support-Seat	29	237-124	2	Grommet
14	3231-2	4	Bolt-CARR	30	110-8276	1	Trim-Hold Down, Battery
15	120-0019	2	Strip-Foam	32	321-10	2	Screw-HH
17	3256-22	2	Washer-Flat	34	3256-22	2	Washer-Flat
18	112-6367-03	1	Panel-Rear	35	117-2718	1	Decal-Arrester, Spark



Radiator Assembly

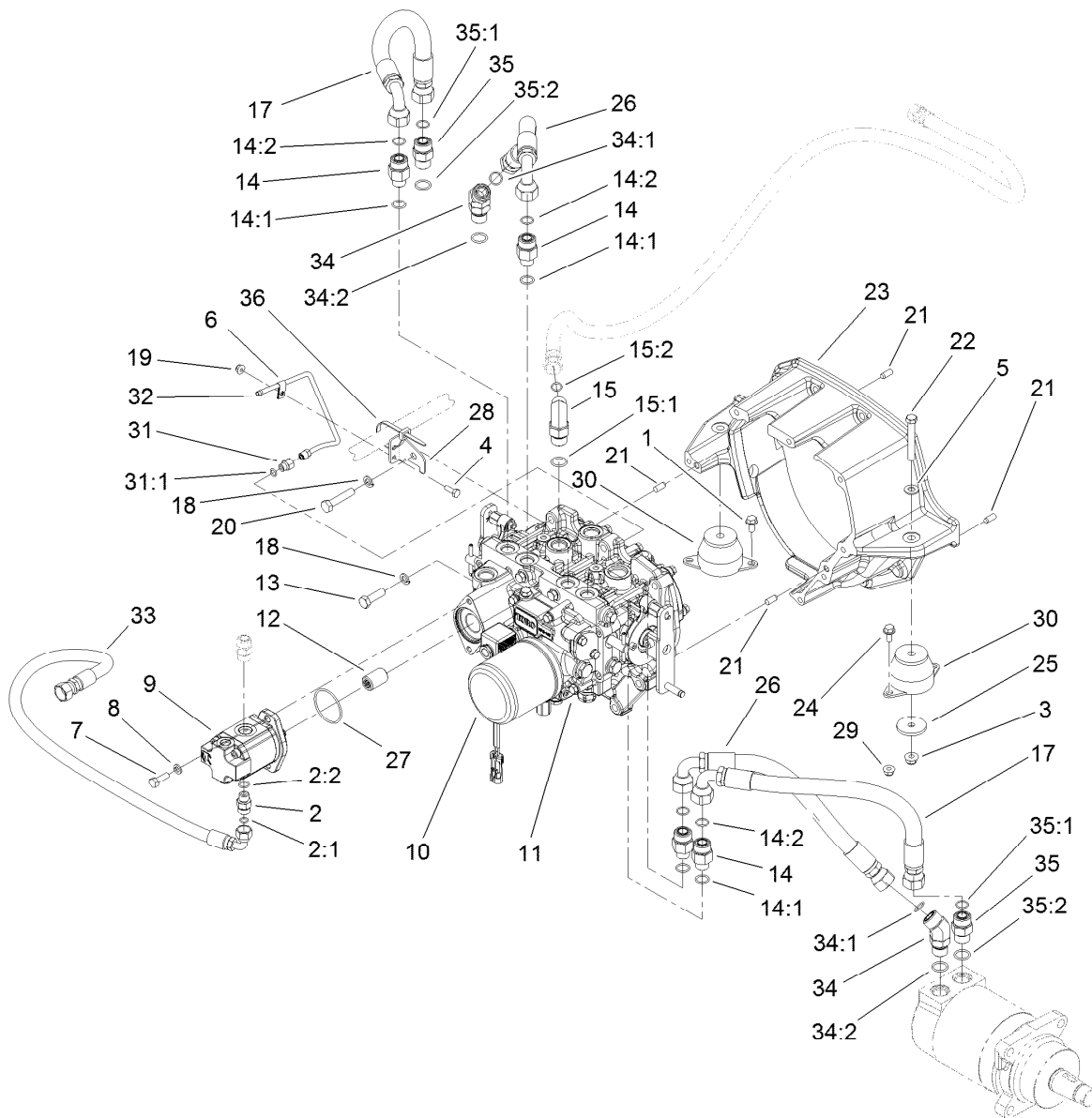
Ref.	Part Number	Qty.	Description	Ref.	Part Number	Qty.	Description
1	117-5135	1	Radiator	19	323-10	4	Screw-HH
1:1	121-3518	1	Cap-Radiator	20	108-9935	1	Strip-Foam
2	112-1684	1	Cooler-Oil	21	33103-020	4	Screw-HHF
2:1	237-30	2	O-Ring	22	110-5543	1	HYD Hose ASM
3	104-8300	4	Nut-Flange, NI	23	108-3284	1	Hose-Fuel
4	104-5429	1	Clamp-Form, Wire	25	2412-137	1	Clamp-R, Double
5	325-17	1	Screw-HH	26	3256-55	6	Washer-Flat
6	41-8440	2	Washer	27	117-9232	1	Shroud-Fan
7	32128-49	2	Nut-HHF	28	108-2872	1	Collar-Fan
8	104-7201	2	Nut-HF	29	107-2269	2	Seal-Bulb
9	321-4	2	Screw-HH	30	104-8301	4	Nut-Flange, NI
10	240-5	2	Grommet	31	104-4246	1	Fan-Engine
11	110-8277-03	1	Frame-Radiator	32	3234-5	4	Screw-HHF
12	99-8551	1	Plug-Pipe	34	105-7282	1	Hose-Radiator, Upper
13	105-7281	1	Hose-Air Inlet, Upper	35	105-7283	1	Hose-Radiator, Lower
14	32104-116	4	Screw-HF	36	109-0274	1	Hose-Fuel
15	108-9930-03	1	Bracket-Bottle	37	106-6755	1	Decal-Cap, Radiator
16	108-0638	1	Bottle-Overflow	38	32144-14	1	Screw-HWHTF
17	110-5542	1	HYD Hose ASM	39	32121-107	1	Pin-Roll, Slotted
18	2412-34	4	Clamp-Hose				



Control Panel Assembly

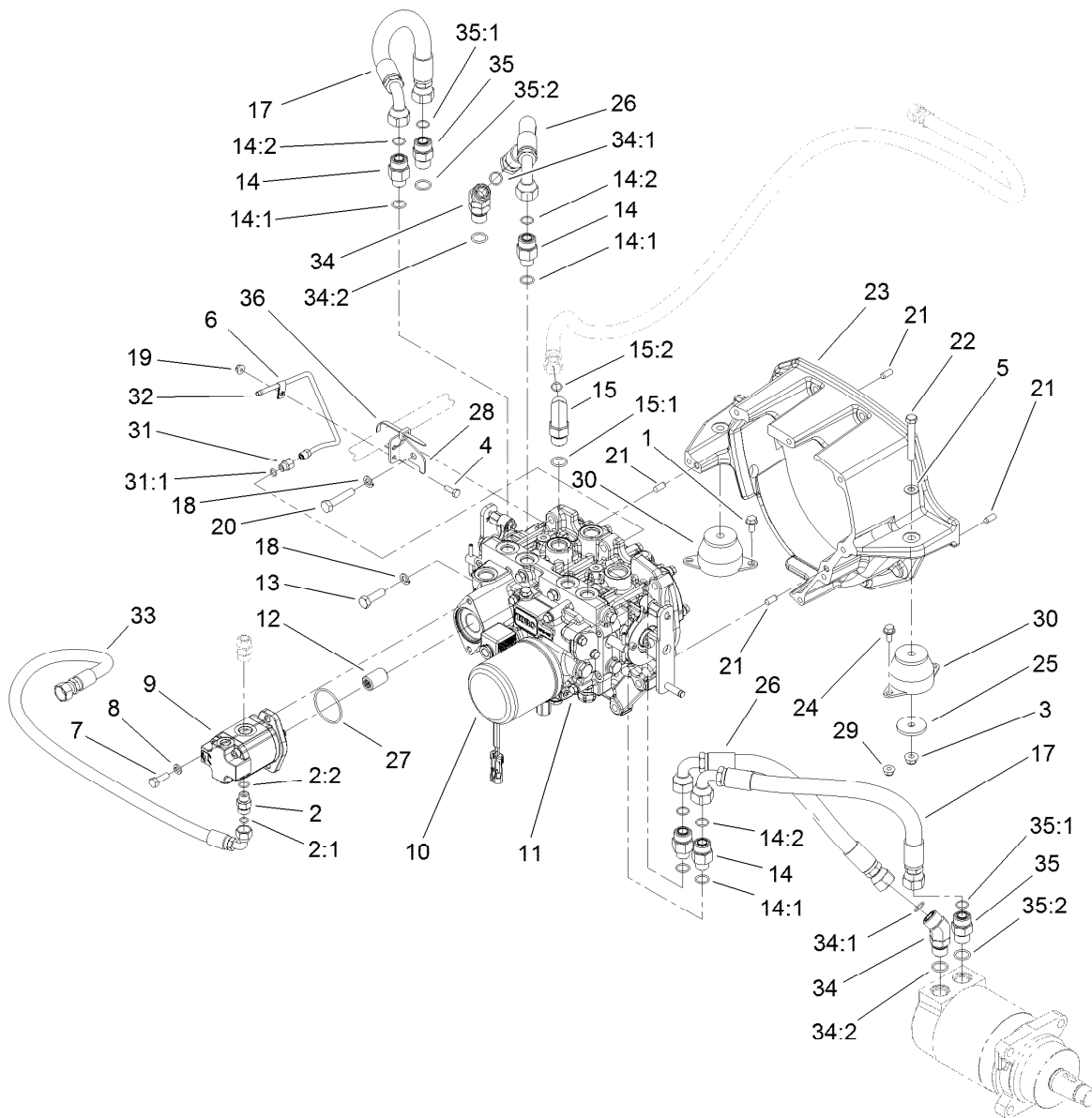
<i>Ref.</i>	<i>Part Number</i>	<i>Qty.</i>	<i>Description</i>
1	110-5548	1	Cable-Throttle
2	74-5950	2	Latch-Swell
3	100-8071	1	Lamp-Warning
4	100-8070	1	Lamp-Warning
5	104-2541	1	Switch ASM
5:1	218-461	1	Nut-HH
5:2	3254-5	1	Washer-Tooth, Internal
6	106-9277	1	Module-Control, Standard
7	110-8253	1	Decal-Panel, Control
8	110-8254	1	Decal-Start, Control Panel
9	63-8360	2	Key-Ignition (W/Shield)
10	1-513374	1	Meter-Hour
11	107-9097	1	Controller-Glow

<i>Ref.</i>	<i>Part Number</i>	<i>Qty.</i>	<i>Description</i>
12	32105-13	5	Screw-HWH
13	3234-13	5	Screw-HHF
14	1-804254	2	Nut-Lock, HH
15	93-9999	1	Switch-PTO
16	104-7201	3	Nut-HF
17	110-5547	1	Control Lever ASM
18	110-8257-03	1	Cover-Panel, Control
19	321-13	3	Screw-HH
20	3296-2	5	Nut-Lock, NI
21	233-42	1	Knob
22	110-8256-03	1	Panel-Control
23	110-9796	1	Decal-Block, Fuse



Transmission Assembly

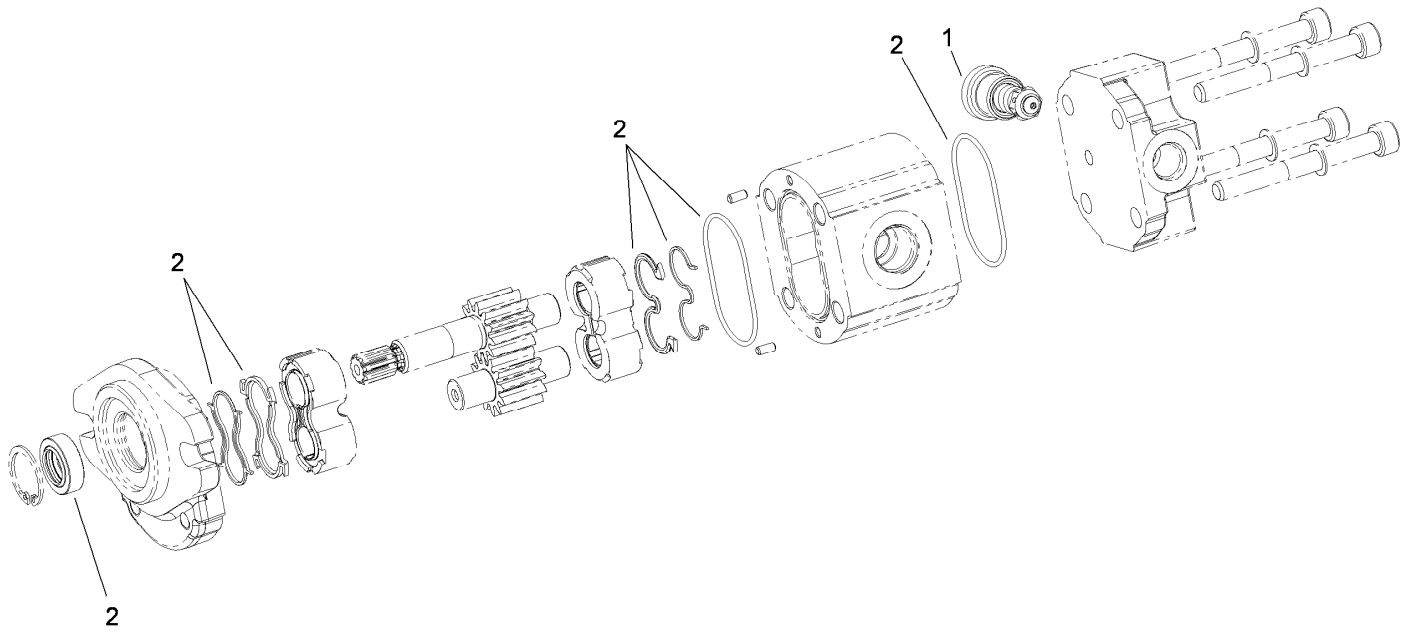
Ref.	Part Number	Qty.	Description	Ref.	Part Number	Qty.	Description
1	32144-14	2	Screw-HWHTF	17	112-1683	2	Hose ASM
2	340-2	1	Fitting-HYD, Straight	18	48-9590	7	Washer-Lock
2:1	237-22	1	O-Ring	19	104-7201	1	Nut-HF
2:2	237-42	1	O-Ring	20	33115-050	6	Screw-HH
3	104-8301	2	Nut-Flange, NI	21	87-1910	4	Pin-Dowel
4	321-4	1	Screw-HH	22	323-13	2	Screw-HH
5	3256-24	2	Washer-Flat	23	108-5193	1	Housing-Flywheel
6	2412-72	1	Clip-Closed, Insulated	24	3234-17	2	Screw-HHF
7	33114-025	2	Screw-HH	25	80-8560	2	Washer-Hardened
8	3253-4	2	Washer-Lock	26	110-5518	2	Hose ASM
9	112-9542	1	Gear Pump ASM	27	108-9919	1	O-Ring
10	108-5194	1	Filter-Oil, HYD	28	120-0239	1	Support-Tube
11	121-3370	1	Transmission ASM	29	104-8300	2	Nut-Flange, NI
12	108-9920	1	Coupler-Spline, 9T	30	107-2289	2	Mount-Motor
13	33115-035	1	Screw-HH	31	110-5536	1	Fitting-HYD, Adapter
14	340-155	4	Fitting-HYD, Straight	31:1	237-78	1	O-Ring
14:1	237-79	1	O-Ring	32	110-5537	1	Tube ASM
14:2	237-151	1	O-Ring	33	94-5961	1	Hose ASM
15	340-105	1	Fitting-HYD, 90 DEG	34	340-14	2	Fitting-HYD, 45 DEG
15:1	237-80	1	O-Ring	34:1	237-65	1	O-Ring
15:2	237-30	1	O-Ring	34:2	237-80	1	O-Ring



Transmission Assembly (continued)

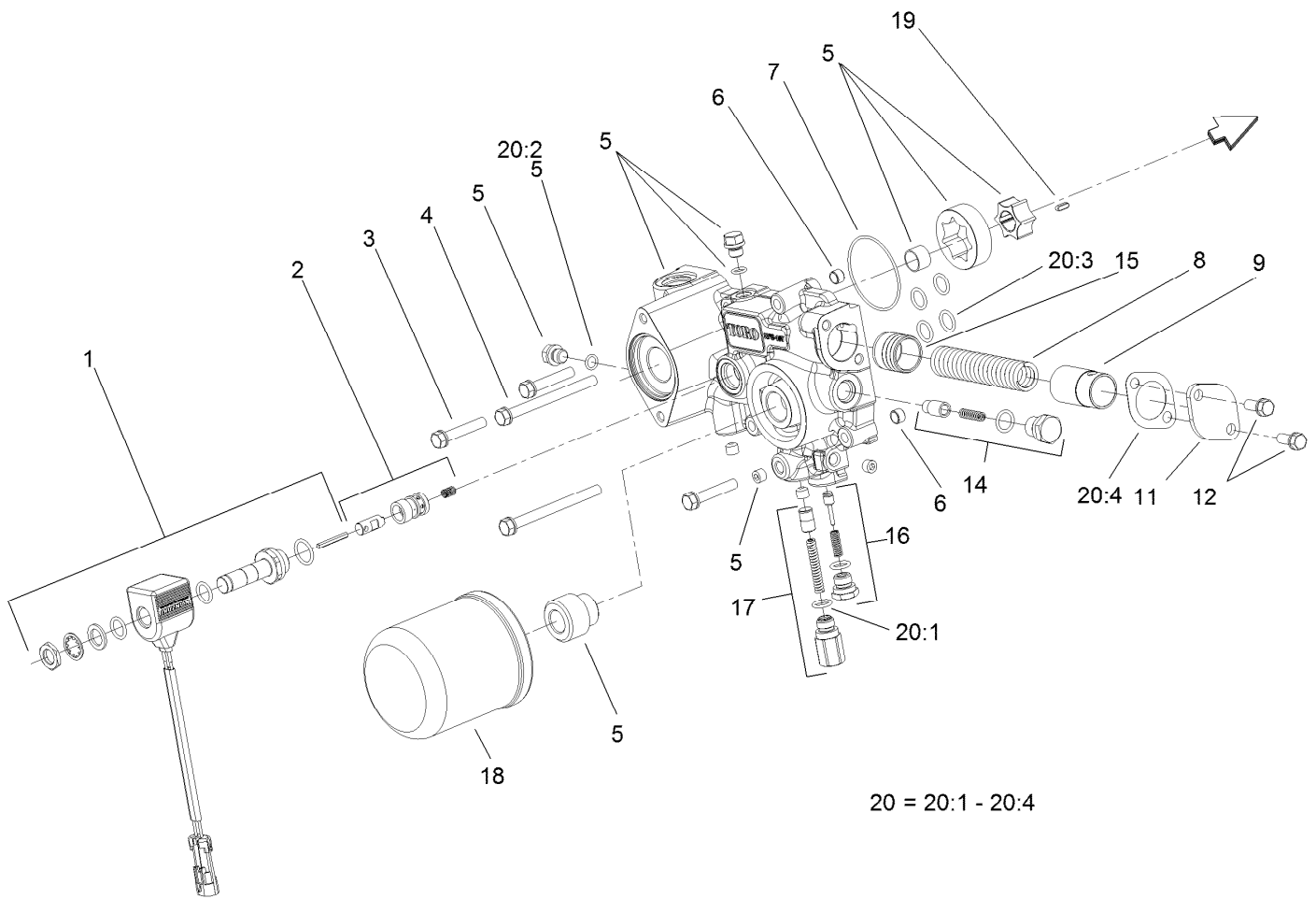
Ref.	Part Number	Qty.	Description
35	340-7	2	Adapter
35:1	237-65	1	O-Ring

Ref.	Part Number	Qty.	Description
35:2	237-80	1	O-Ring
36	3290-378	1	Tie-Cable



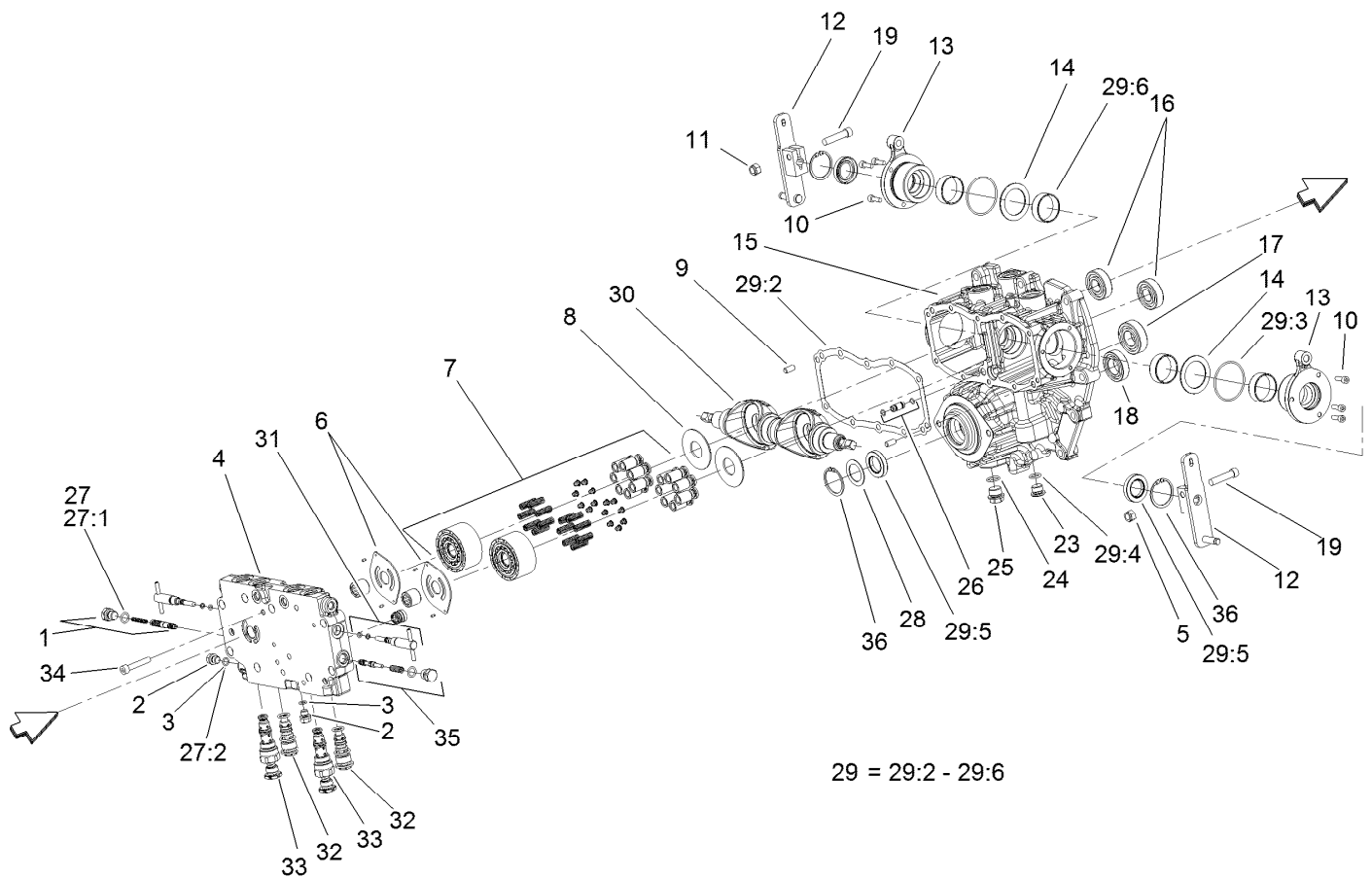
Hydraulic Gear Pump Assembly No. 112-9542

<i>Ref.</i>	<i>Part Number</i>	<i>Qty.</i>	<i>Description</i>
1	112-0198	1	Valve
2	112-0199	1	Seal Kit



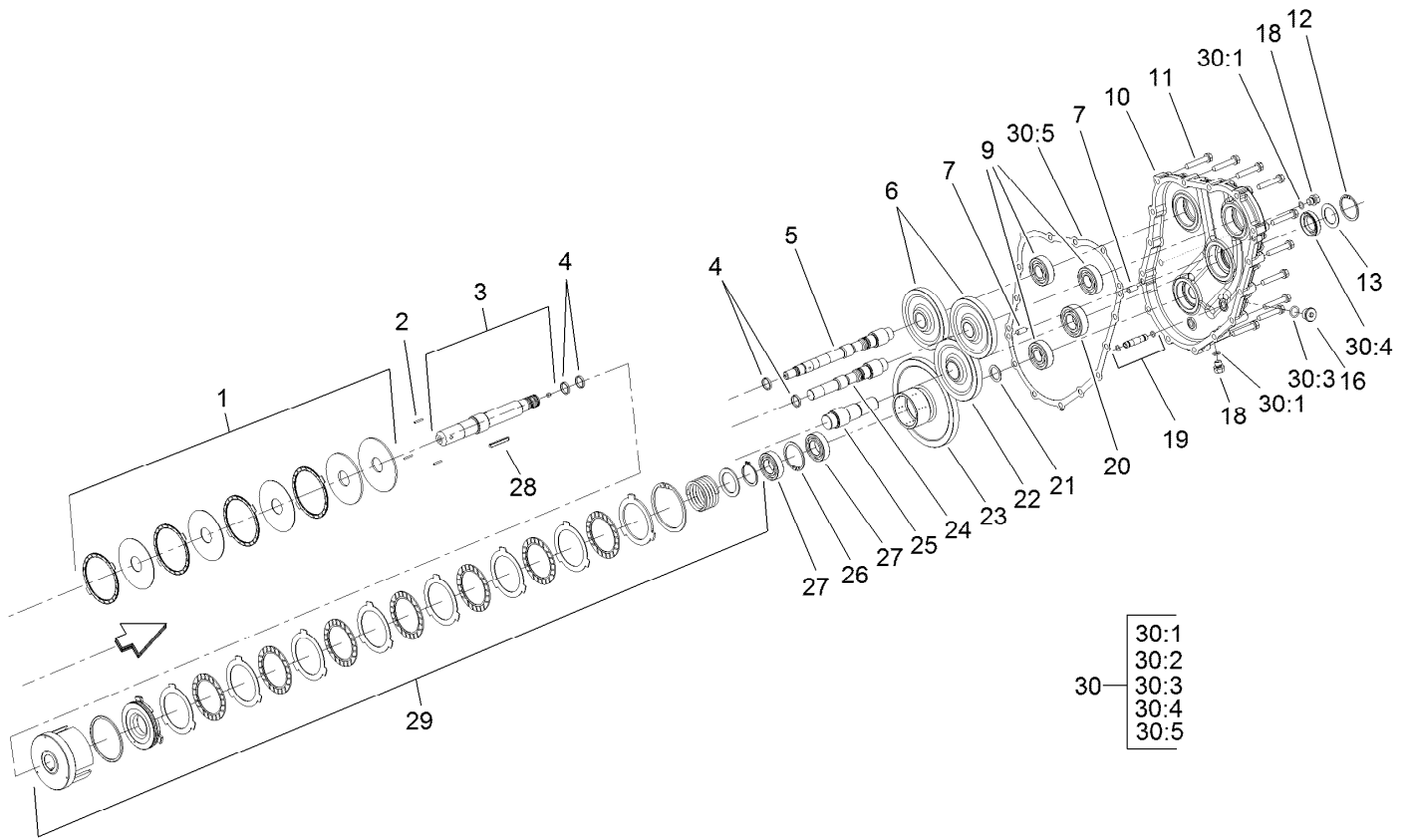
Charge Pump Housing Assembly Transmission Assembly No. 121-3370

<i>Ref.</i>	<i>Part Number</i>	<i>Qty.</i>	<i>Description</i>	<i>Ref.</i>	<i>Part Number</i>	<i>Qty.</i>	<i>Description</i>
1	107-0851	1	Solenoid ASM	14	107-0843	1	Filter Bypass Valve ASM
2	107-0850	1	Solenoid Valve ASM	15	107-0818	1	Piston
3	107-0863	3	Bolt	16	107-0842	1	Charge Relief Valve ASM
4	107-0864	2	Bolt	17	107-0841	1	Pressure Valve ASM
5	107-0840	1	Pump Body ASM	18	108-5194	1	Filter-Oil, HYD
6	107-0848	2	Pin	19	107-0865	1	Key
7	107-0856	1	O-Ring	20	107-0855	1	Charge Pump Seal Kit
8	107-0845	1	Spring	20:1	93-0418	2	O-Ring
9	107-0844	1	Collar	20:2	107-0817	2	O Ring-Plug
11	107-0846	1	Cover	20:3	104-3298	6	Packing
12	93-0457	2	Bolt And Washer ASM	20:4	107-0847	1	Gasket



Center Section Assembly Transmission Assembly No. 121-3370

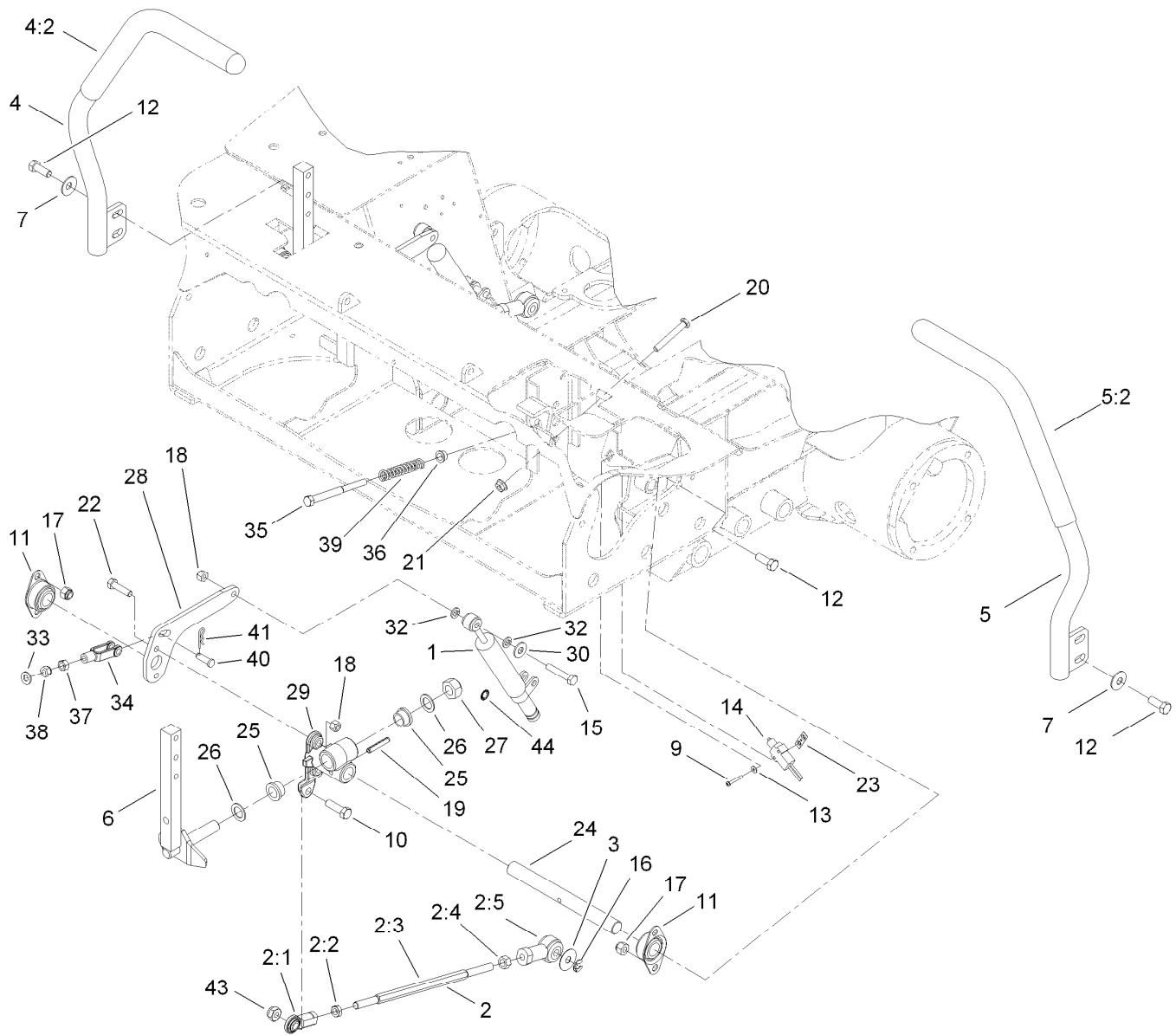
<i>Ref.</i>	<i>Part Number</i>	<i>Qty.</i>	<i>Description</i>	<i>Ref.</i>	<i>Part Number</i>	<i>Qty.</i>	<i>Description</i>
1	107-0807	1	Valve-Flushing, RH	24	107-0862	1	O-Ring
2	107-0857	2	Plug	25	107-0867	1	Plug
3	107-0817	2	O Ring-Plug	26	107-0812	1	Pipe
4	121-3377	1	Center Case, Complete	27	107-0852	1	Center Case Seal Kit
5	107-0858	1	U-Nut	27:1	93-0418	2	O-Ring
6	107-0805	2	Plate-Valve	27:2	107-0817	6	O Ring-Plug
7	107-0824	2	Cylinder Block ASM	28	107-0813	1	Spacer
8	107-0830	2	Plate-Thrust	29	107-0853	1	Pump Housing Seal Kit
9	92-0765	4	Pin-Parallel	29:2	107-0810	1	Gasket-Case, Center
10	107-0859	6	Bolt	29:3	107-0817	2	O Ring-Plug
11	120-6681	2	U-Nut	29:4	104-3298	1	Packing
12	120-6680	2	Arm-Control	29:5	107-0814	3	Seal
13	107-0832	2	Side Cover ASM	29:6	107-0825	4	Ring-Seal
14	107-0829	2	Washer	30	120-6679	2	Plate-Swash
15	120-5151	1	Pump Housing ASM	31	107-0808	2	Valve-Bypass
16	107-0826	2	Bearing	32	121-3378	2	Check Valve-Rear
17	107-0821	1	Bearing	33	107-0803	2	Valve-Front
18	107-0838	1	Bearing	34	107-0863	8	Bolt
19	120-6682	2	Bolt (10 X 40)	35	107-0806	1	Valve-Flushing, LH
23	107-0861	1	Plug-NPTF	36	92-0757	2	Ring-Snap



Gear Case and Clutch Assembly Transmission Assembly No. 121-3370

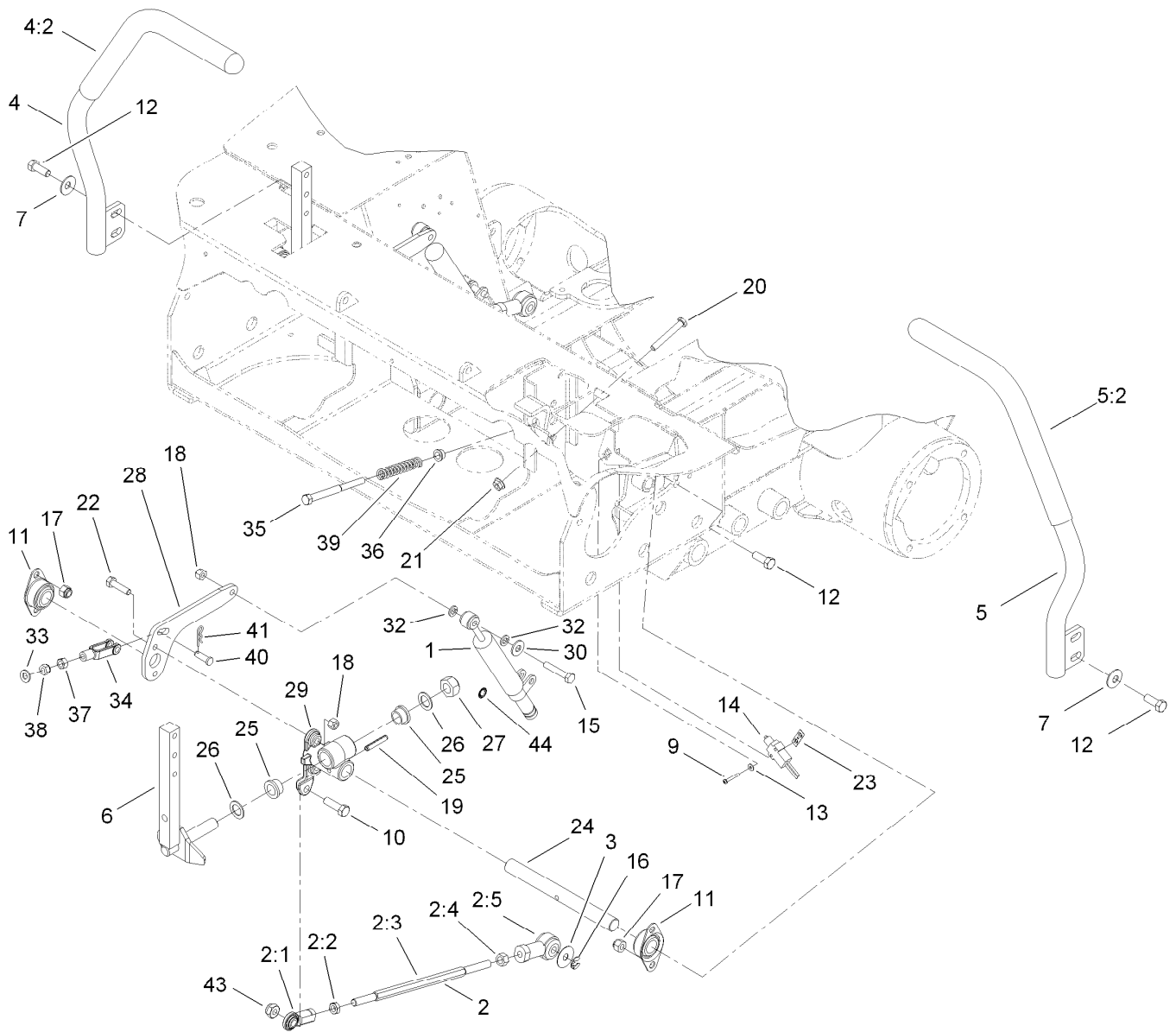
Ref.	Part Number	Qty.	Description	Ref.	Part Number	Qty.	Description
1	107-0839	1	PTO Brake ASM	21	107-0836	1	Spacer
2	107-0837	3	Rod-Push	22	107-0820	1	Gear-Input
3	107-0833	1	PTO Shaft ASM	23	107-0834	1	Gear-PTO
4	107-0825	2	Ring-Seal	24	107-0822	1	Shaft-Pump
5	107-0827	1	Shaft-Pump	25	107-0819	1	Shaft-Input
6	107-0823	2	Gear-Pump	26	92-0758	1	Ring-Snap
7	92-0765	4	Pin-Parallel	27	107-0838	3	Bearing
9	107-0826	4	Bearing	28	107-0866	1	Key
10	120-5152	1	Housing-Case, Gear	29	107-0835	1	Clutch Cylinder ASM
11	107-0863	13	Bolt	30	107-0854	1	Gear Housing Seal Kit
12	92-0757	1	Ring-Snap	30:1	107-0817	2	O Ring-Plug
13	107-0813	1	Spacer	30:2		2	O-Ring ●
16	107-0861	1	Plug-NPTF	30:3	104-3298	1	Packing
18	107-0857	6	Plug	30:4	107-0814	1	Seal
19	107-0811	1	Pipe	30:5	107-0816	1	Gasket-Housing, Gear
20	107-0821	2	Bearing				

● Not serviced separately



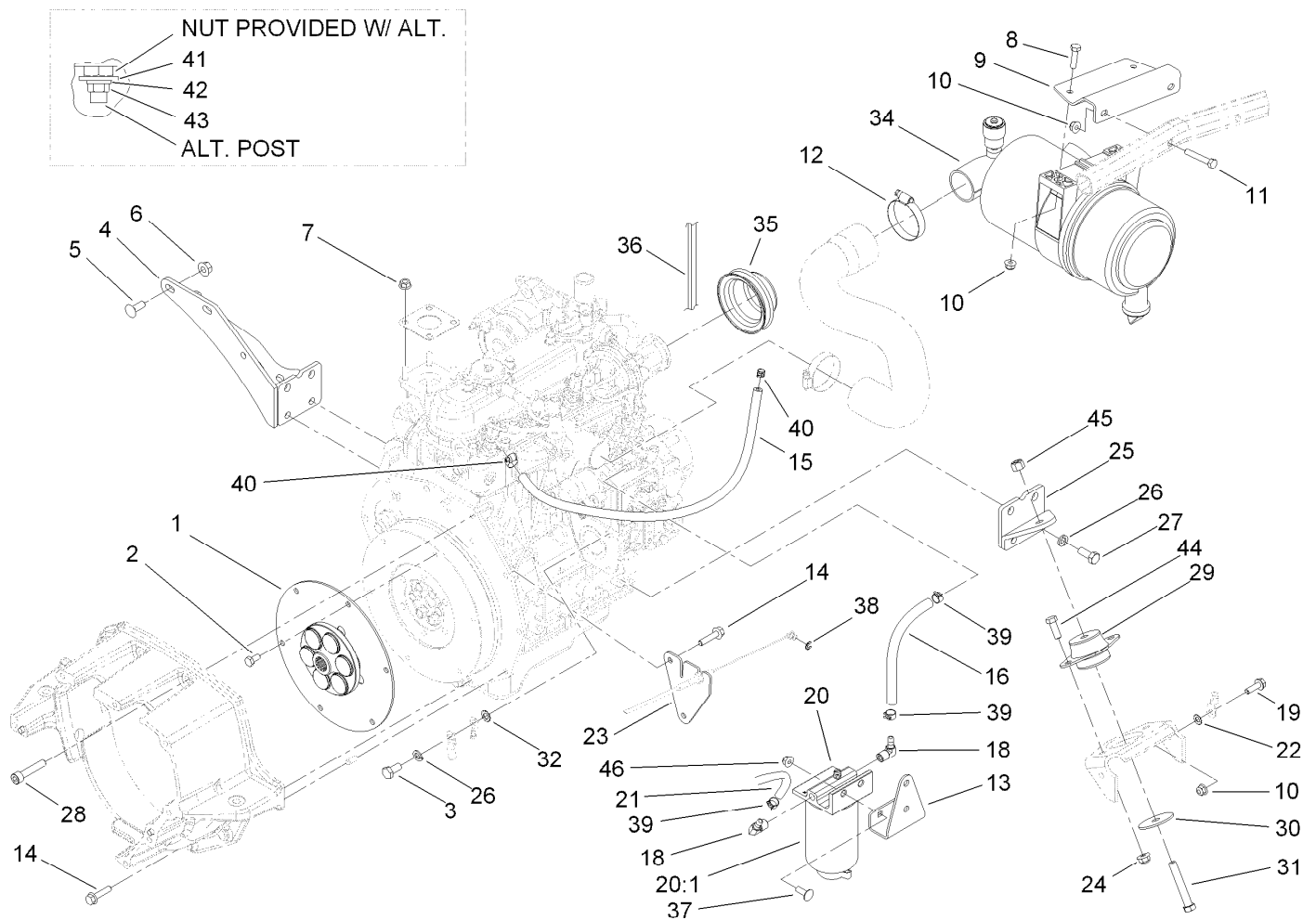
Traction Control Assembly

Ref.	Part Number	Qty.	Description	Ref.	Part Number	Qty.	Description
1	105-7280	2	Damper	16	32151-47	2	Ring-Retaining
2	112-5099	2	Link ASM	17	3296-39	8	Nut-Lock, NI
2:1	103-1167	1	Joint-Ball End, LH	18	3296-29	6	Nut-Lock, NI
2:2	3219-20	1	Nut-Hex, LH	19	32121-15	2	Pin-Roll
2:3	105-7239	1	Rod-Threaded	20	9114524	2	Bolt-TAP, HH
2:4	3219-3	1	Nut-Hex	21	32128-26	2	Nut-Flange
2:5	105-7199	1	Rod End-Isolated	22	322-6	4	Screw-HH
3	105-6814	2	Washer-Plain	23	108-9824	2	Nut-Switch
4	108-5208	1	RH Lever And Grip ASM	24	108-9830	2	Shaft-Pivot
4:2	108-5213	1	Grip-Foam	25	105-3455	4	Bushing
5	108-5209	1	LH Lever And Grip ASM	26	105-3481	4	Washer-Thrust
5:2	108-5213	1	Grip-Foam	27	32152-6	2	Nut-Lock, Cone
6	108-9833-03	2	Lever ASM	28	108-9829-03	2	Lever-Damper
7	3290-461	4	Washer-Spring	29	108-9831	2	Hub-Control
9	3250-35	4	Screw-PPH	30	3256-3	2	Washer-Flat
10	323-7	2	Screw-HH	32	3253-4	4	Washer-Lock
11	1-633102	4	Bearing-Flange, Side	33	3256-23	2	Washer-Flat
12	323-6	12	Screw-HH	34	1-303105	2	Yoke-Adjustable
13	3256-53	4	Washer-Flat	35	1-603737	2	Bolt-Return, Neutral
14	99-3410	2	Switch	36	1-603735	2	Bushing-Flanged
15	322-9	2	Screw-HH	37	3219-2	2	Nut-Hex



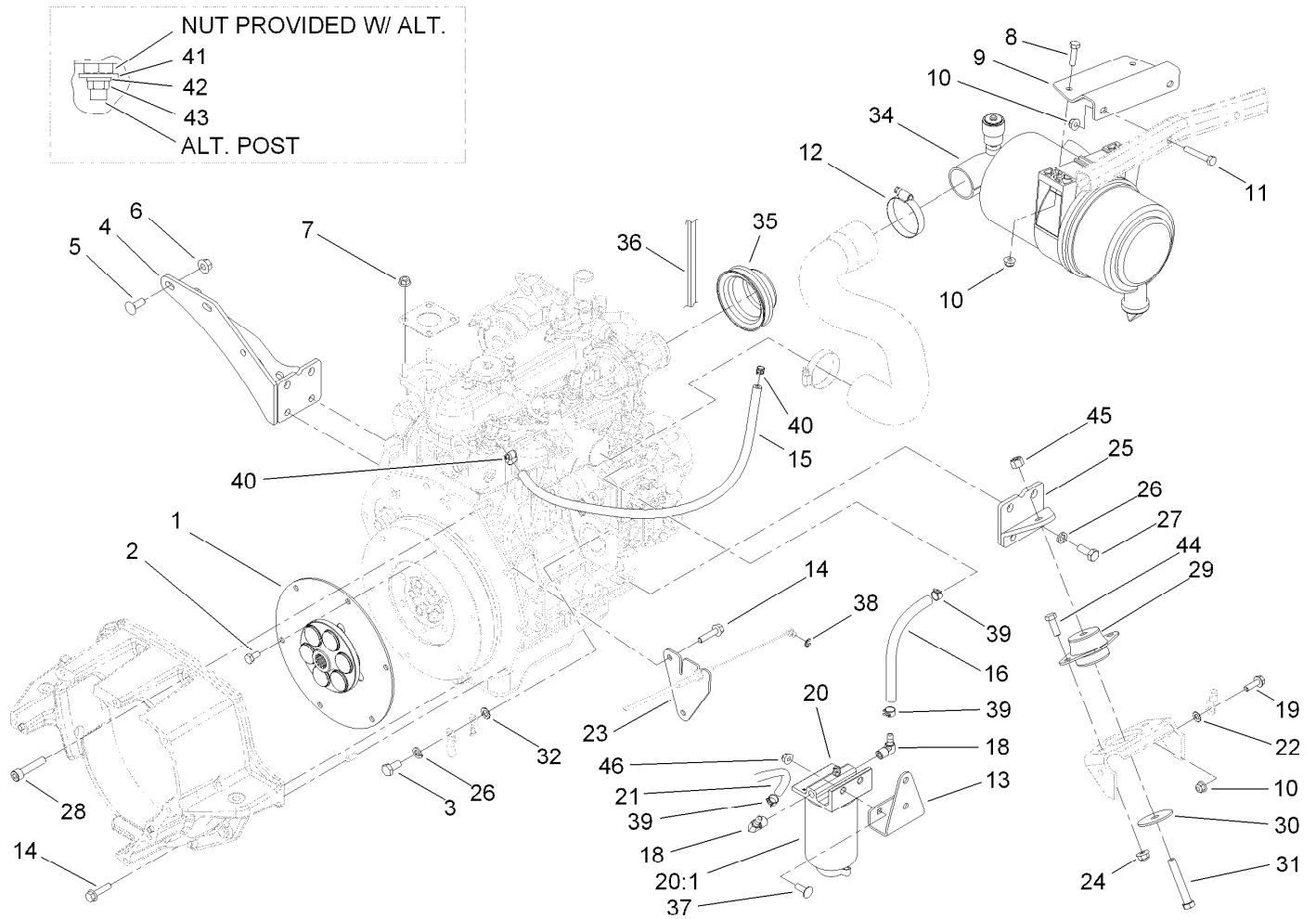
Traction Control Assembly (continued)

<i>Ref.</i>	<i>Part Number</i>	<i>Qty.</i>	<i>Description</i>	<i>Ref.</i>	<i>Part Number</i>	<i>Qty.</i>	<i>Description</i>
38	3296-4	2	Nut-Lock	41	3290-307	2	Pin-Hair
39	1-603807	2	Spring-Return, Neutral	43	3296-44	2	Nut-Lock, NI
40	283-1	2	Pin-Clevis	44	32151-72	2	Ring-Retaining



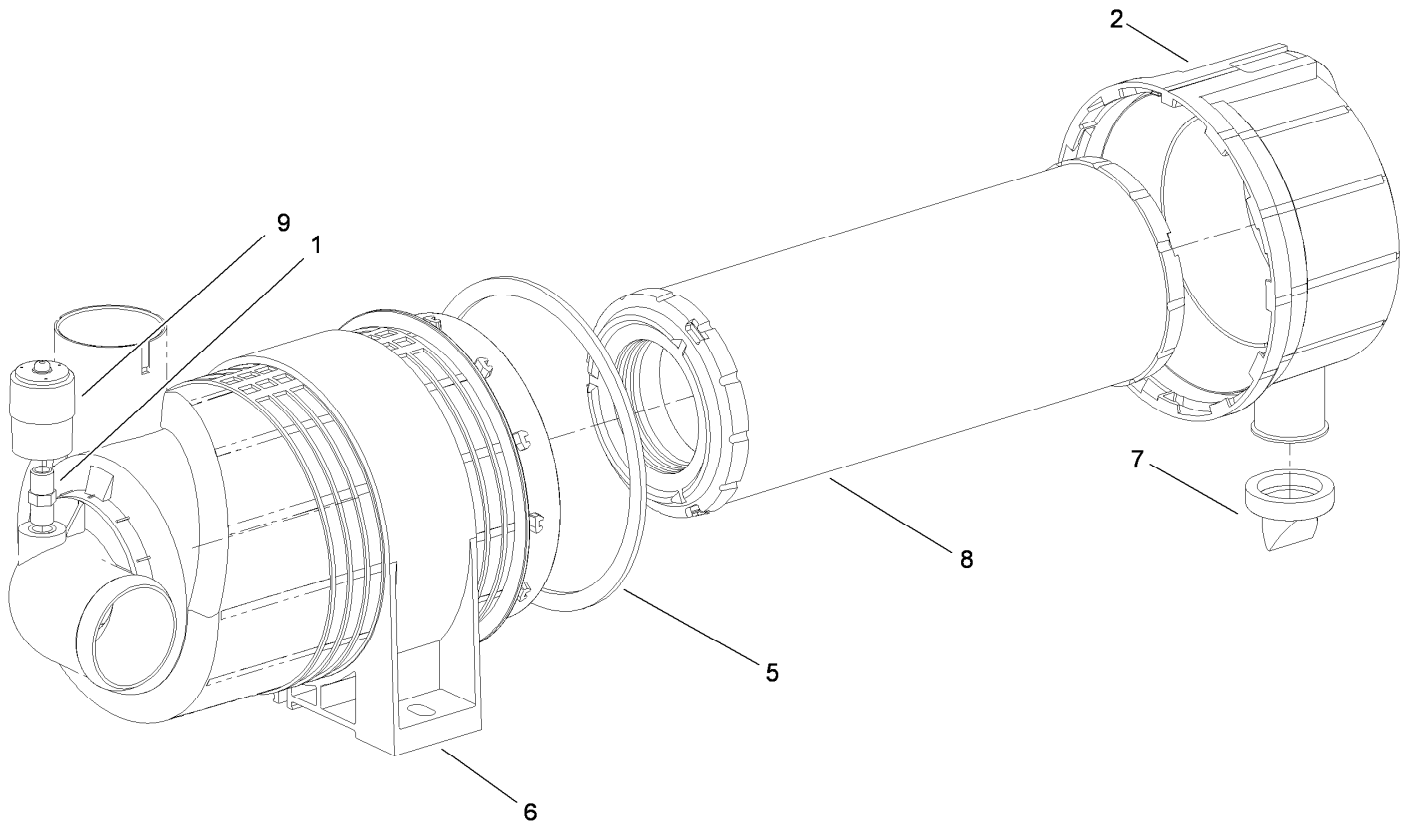
Engine Component Assembly

Ref.	Part Number	Qty.	Description	Ref.	Part Number	Qty.	Description
1	110-9729	1	Flywheel Coupling ASM	22	3255-8	1	Washer-Lock
2	33114-016	6	Screw-HH	23	114-4060	1	Bracket-Throttle
3	63-7790	1	Screw-Cap	24	104-8301	4	Nut-Flange, NI
4	108-9926-03	1	Muffler Bracket ASM	25	105-7235-03	1	Rear Mount ASM
5	3231-22	2	Screw-CARR	26	48-9590	9	Washer-Lock
6	32128-29	2	Nut-Lock, Flange	27	43-0090	8	Screw-HH
7	33004-00	4	Nut-HF	28	3274-106	2	Screw-HSH
8	322-6	2	Screw-HH	29	53-9681	2	Mount-Engine
9	108-9843-03	1	Support-Cleaner, Air	30	87-5100	2	Washer-Snubbing
10	104-8300	5	Nut-Flange, NI	31	324-11	2	Screw-HH
11	322-10	2	Screw-HH	32	3255-9	1	Washer-Lock
12	2412-130	1	Clamp-Hose	34	104-3428	1	Air Cleaner ASM
13	114-4058-03	1	Mount-Separator	35	98-9584	1	Pulley-Fan
14	33104-035	8	Screw-HHF	36	98-9676	1	V-Belt
15	110-8255	1	Hose-Fuel	37	3230-10	2	Screw-CARR
16	110-4104	1	Hose-Fuel	38	701197	1	E-Ring
18	353-781	2	Fitting-Elbow	39	92-2379	3	Clamp-Hose
19	3234-17	1	Screw-HHF	40	2412-80	2	Clamp-Hose
20	110-9044	1	Filter-Separator	41	3256-2	1	Washer-Flat
20:1	110-9049	1	Filter-Spin On	42	43-5930	1	Washer-Lock, Spring
21	114-4028	1	Hose-Fuel	43	33013-00	1	Nut-Hex



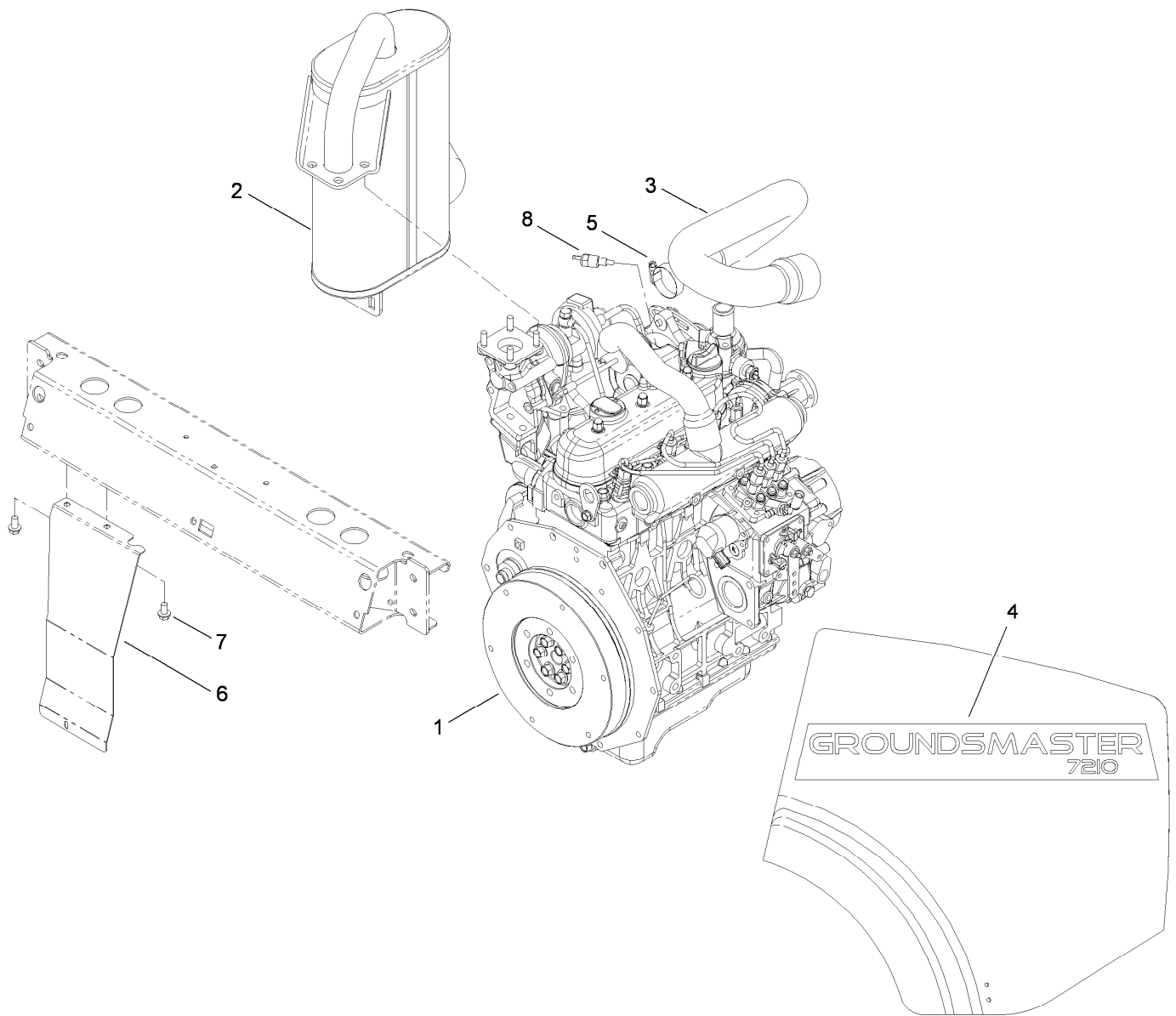
Engine Component Assembly (continued)

Ref.	Part Number	Qty.	Description	Ref.	Part Number	Qty.	Description
44	323-6	4	Screw-HH	45	3296-48	2	Nut-Lock, NI
				46	32128-44	2	Nut



Air Cleaner Assembly No. 104-3428

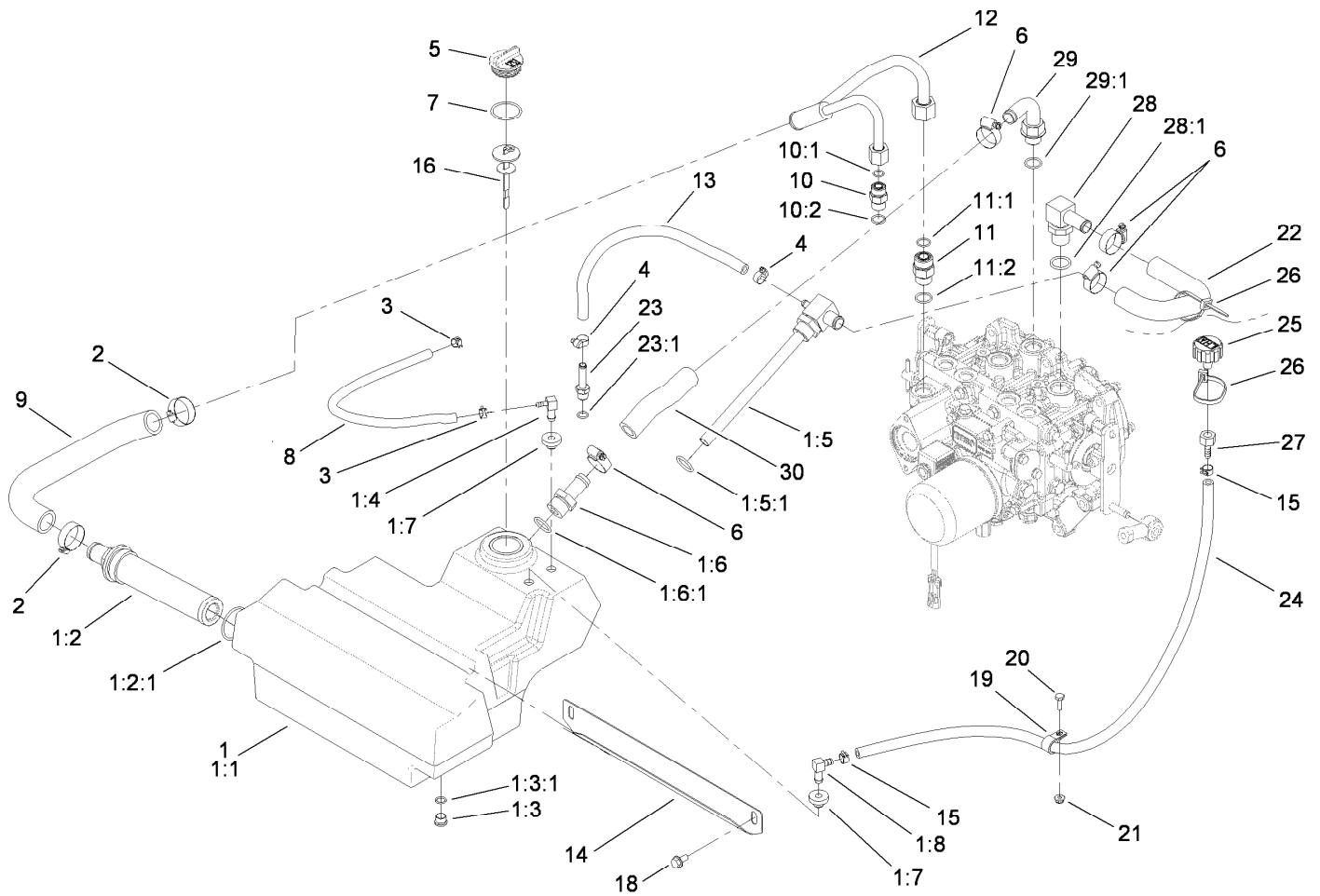
<i>Ref.</i>	<i>Part Number</i>	<i>Qty.</i>	<i>Description</i>
1	105-4292	1	Nipple-Pipe
2	104-0497	1	Cover ASM
5	104-4897	1	Gasket
6	98-4525	1	Bracket-Cleaner, Air
7	104-0498	1	Valve-Vacuator
8	108-3810	1	Filter-Air
9	93-9164	1	Indicator-Mini



Engine, Muffler and Shield Assembly

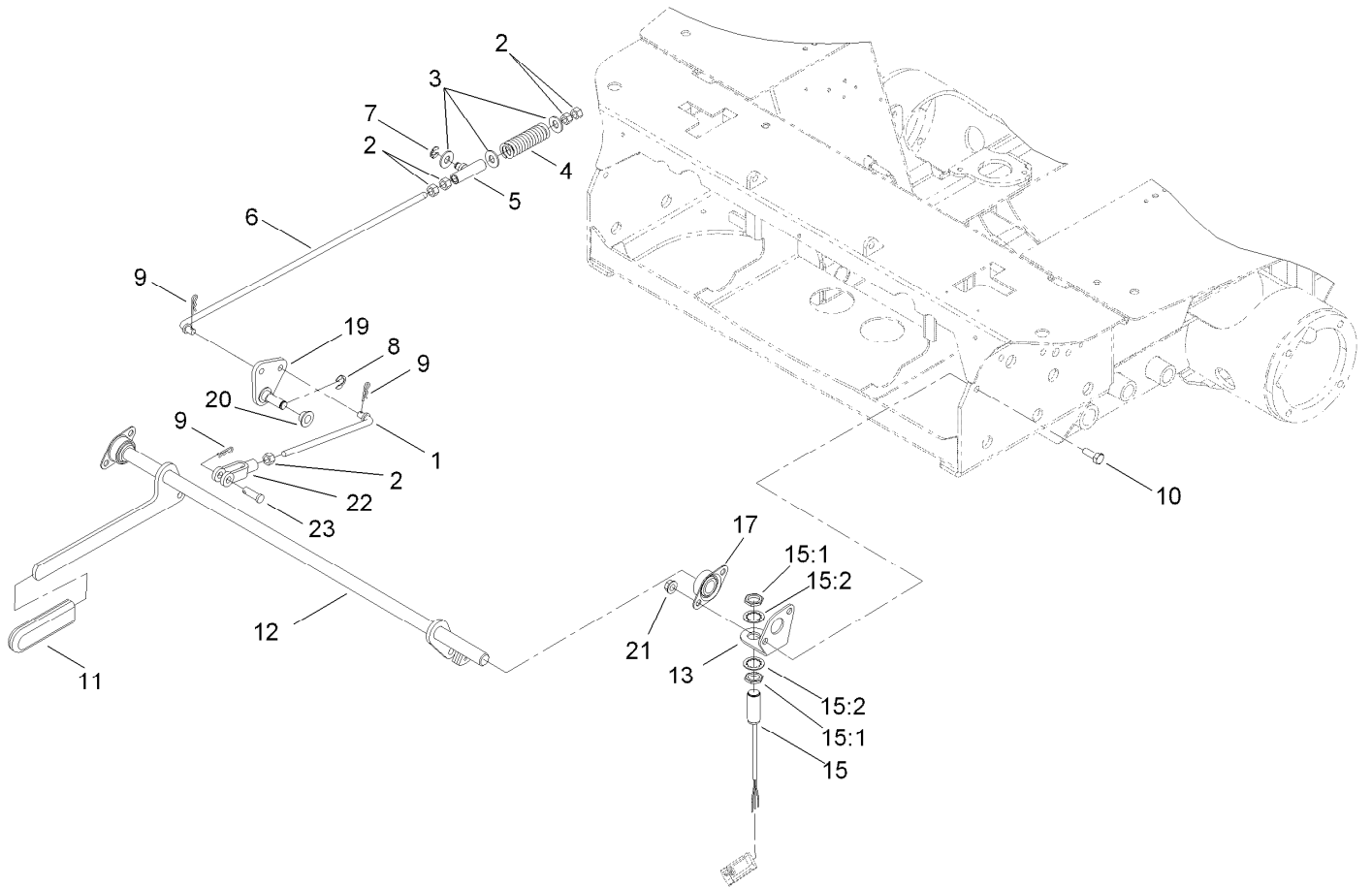
<i>Ref.</i>	<i>Part Number</i>	<i>Qty.</i>	<i>Description</i>
1	114-4080	1	Engine-Kubota
2	108-9912	1	Muffler
2:1	112-1688	1	Spark Arrestor Kit ●
3	112-9582	1	Hose-Air Inlet, Turbo
4	110-5545	2	Decal-Hood
5	2412-3	1	Clamp-Hose
6	112-6368-03	1	Shield-Heat
7	32144-14	2	Screw-HWHTF
8	98-9719	1	Thermoswitch

● Not illustrated



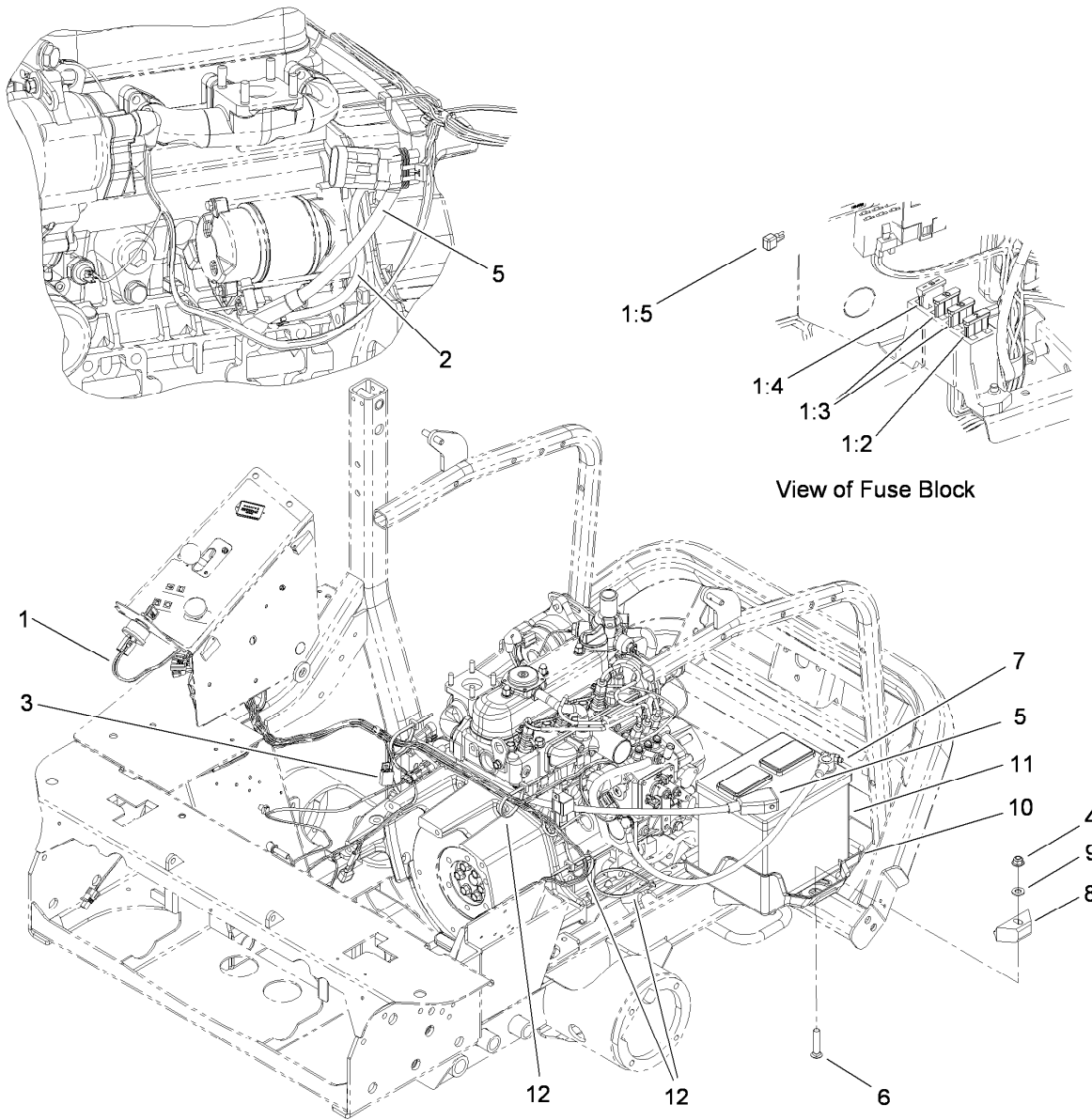
Hydraulic Assembly

Ref.	Part Number	Qty.	Description	Ref.	Part Number	Qty.	Description
1	110-8237	1	Hydraulic Reservoir ASM	11:1	237-65	1	O-Ring
1:1	108-5200	1	Reservoir-Hydraulic	11:2	237-80	1	O-Ring
1:2	104-7546	1	Strainer-Tank	12	110-5532	1	Tube ASM
1:2:1	340-136	1	O-Ring	13	94-5625	1	Hose-Overflow, Radiator
1:3	353-989	1	Plug-Hex, Hollow	14	110-5529-03	1	Support-Reservoir
1:3:1	237-42	1	O-Ring	15	92-2379	2	Clamp-Hose
1:4	104-5228	1	Fitting-Elbow, 90 DEG	16	112-6365	1	Dipstick ASM
1:5	108-9894	1	Fitting-Elbow, Special	18	32144-14	2	Screw-HWHTF
1:5:1	237-81	1	O-Ring	19	2412-87	1	Clamp-Cable
1:6	354-73	1	Fitting-Straight	20	321-4	1	Screw-HH
1:6:1	237-81	1	O-Ring	21	104-7201	1	Nut-HF
1:7	46-6560	2	Bushing	22	110-5524	1	Hose-Return
1:8	46-6550	1	Fitting-Elbow, 90 DEG	23	353-979	1	Fitting-Straight
2	2412-34	2	Clamp-Hose	23:1	237-42	1	O-Ring
3	2412-98	2	Clamp-Hose	24	110-9662	1	Hose-Fuel
4	2412-108	2	Clamp-Worm	25	68-6150	1	Breather
5	93-7498	1	Plug-Plastic	26	3290-379	2	Tie-Cable
6	2412-129	4	Clamp-Hose	27	354-95	1	Fitting-Straight
7	94-8166	1	O-Ring	28	353-987	1	Fitting-HYD, 90 DEG (Barbed)
8	109-0299	1	Hose-Fuel	28:1	237-81	1	O-Ring
9	110-5526	1	Hose-Suction	29	110-5522	1	Fitting-Elbow, 90
10	340-4	1	Fitting-HYD, Straight	29:1	237-80	1	O-Ring
10:1	237-30	1	O-Ring	30	112-1680	1	Hose-HYD
10:2	237-79	1	O-Ring				
11	340-7	1	Adapter				



Parking Brake Assembly

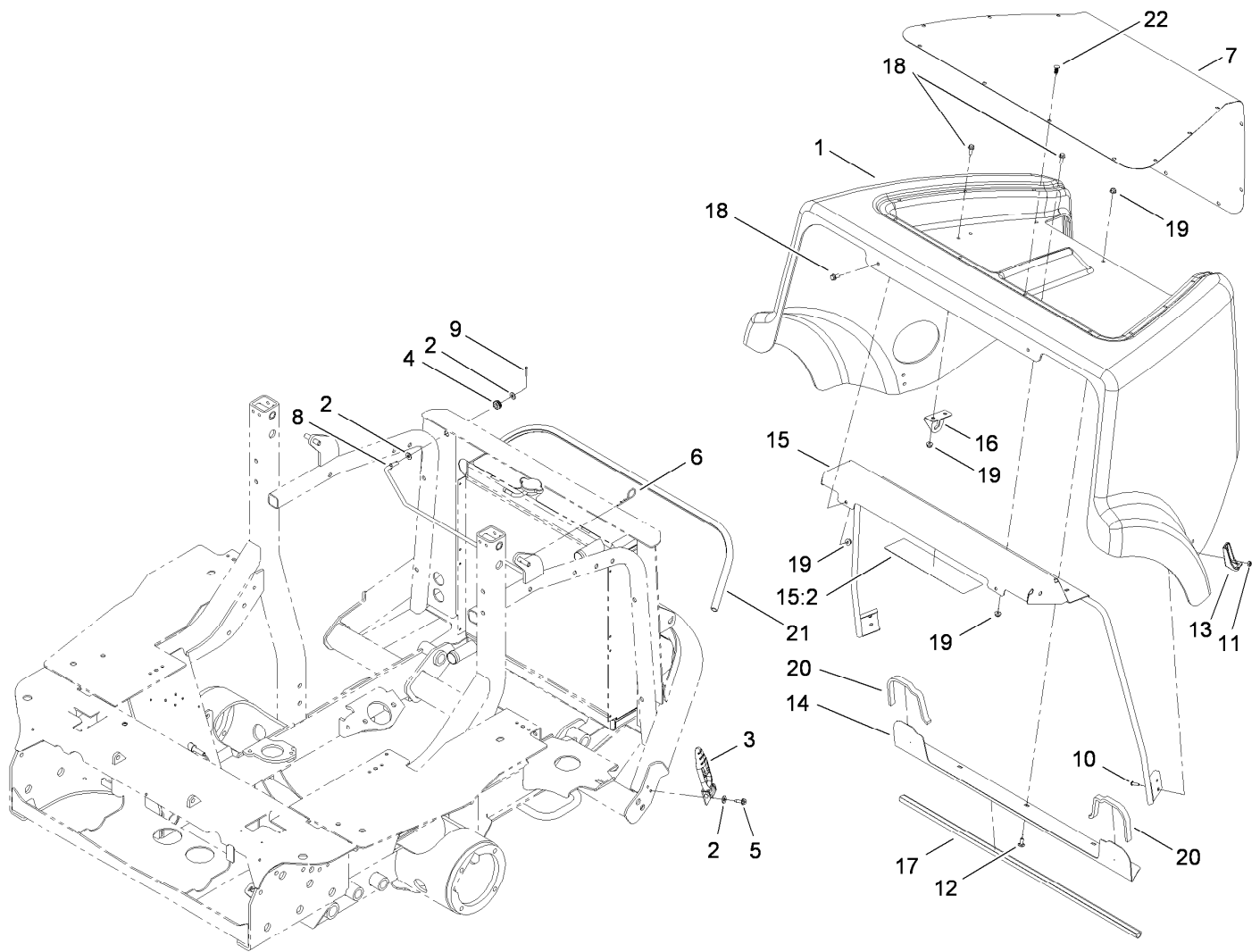
<i>Ref.</i>	<i>Part Number</i>	<i>Qty.</i>	<i>Description</i>	<i>Ref.</i>	<i>Part Number</i>	<i>Qty.</i>	<i>Description</i>
1	120-0023	2	Rod-Brake	12	117-5582-03	1	Brake Handle ASM
2	3219-3	10	Nut-Hex	13	117-5572	1	Bracket-Switch
3	3256-4	6	Washer-Flat	15	115-5300	1	Proximity Switch ASM
4	109-2230	2	Spring-Compression	15:1	117-3207	2	Nut-Hex
5	112-1676	2	Swivel ASM	15:2	117-3208	2	Washer-Lock, Int Tooth
6	120-0009	2	Rod-Brake	17	1-633102	2	Bearing-Flange, Side
7	32151-47	2	Ring-Retaining	19	120-0022	2	Brake Pivot ASM
8	32151-68	2	Ring-Retaining	20	1-513140	4	Bearing-Control
9	3290-307	6	Pin-Hair	21	3290-357	4	Nut-HHF, Whiz
10	323-6	4	Screw-HH	22	1-633131	2	Yoke-Linkage, Brake
11	1-633268	1	Grip-Lever	23	1-808285	2	Pin-Clevis



Electrical Assembly

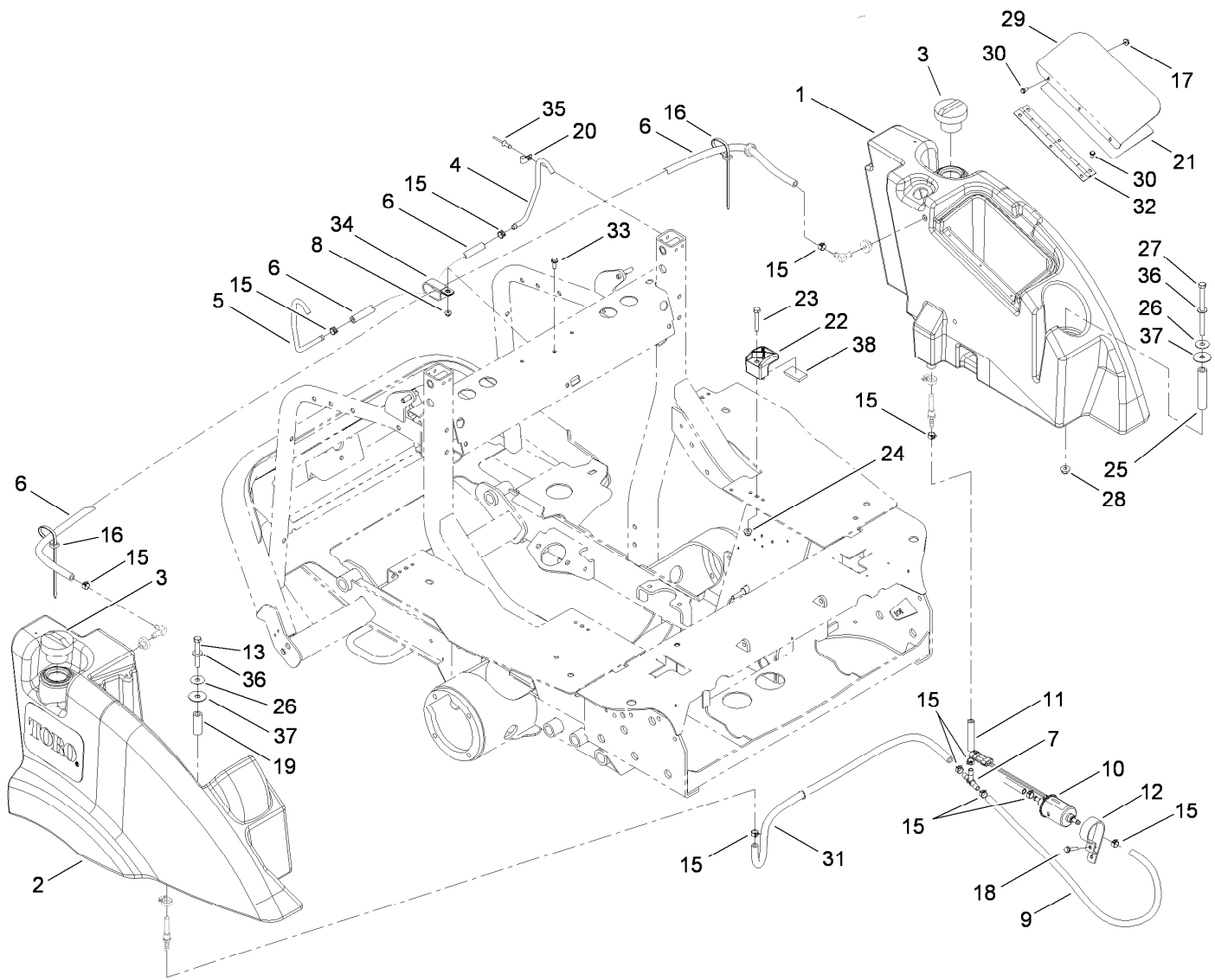
<i>Ref.</i>	<i>Part Number</i>	<i>Qty.</i>	<i>Description</i>
1	117-5636	1	Harness-Wire, Main
1:2	94-6710	1	Fuse-2 Amp
1:3	218-578	2	Fuse-Blade, 10 Amp
1:4	109355	1	Fuse-Blade, 15 Amp
1:5	100-4918	1	Diode
2	99-3441	1	Harness-Wire, Fusible Link
3	108-8657	1	Harness-Wire, Seat
4	104-8301	1	Nut-Flange, NI

<i>Ref.</i>	<i>Part Number</i>	<i>Qty.</i>	<i>Description</i>
5	119-1796	1	Cable-Battery, Positive
6	3231-6	1	Screw-CARR
7	105-0040	1	Cable-Battery, Negative
8	66-2490	1	Retainer-Battery
9	3256-24	1	Washer-Flat
10	108-9928	1	Tray-Battery
11	106-5187	1	Battery
12	3290-378	5	Tie-Cable



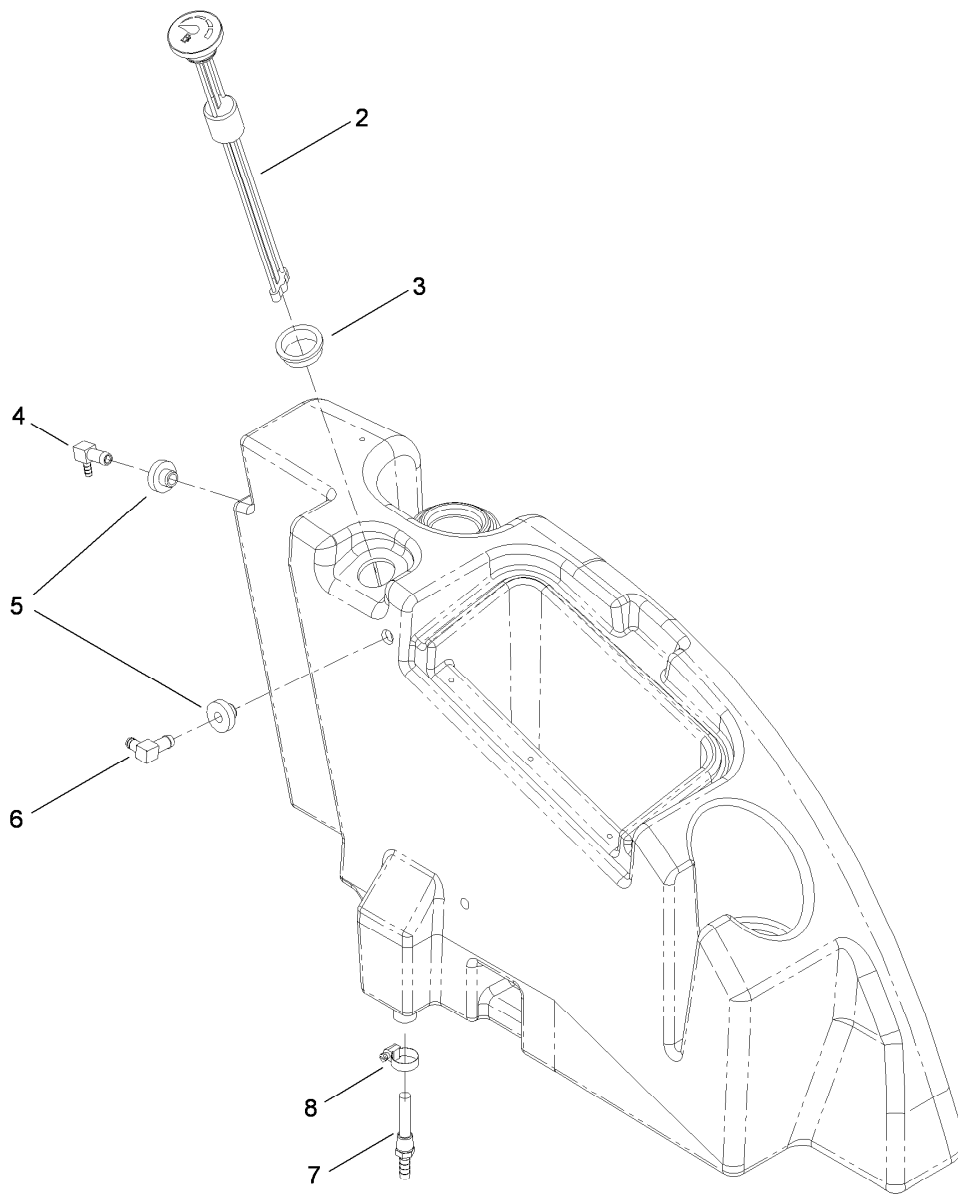
Hood Assembly

<i>Ref.</i>	<i>Part Number</i>	<i>Qty.</i>	<i>Description</i>	<i>Ref.</i>	<i>Part Number</i>	<i>Qty.</i>	<i>Description</i>
1	112-6311	1	Hood ASM	13	103-2897	2	Latch-Catch
2	3256-2	4	Washer-Flat	14	110-8285-03	1	Angle-Seal
3	103-2898	2	Latch-Rubber	15	110-9795	1	Support-Hood
4	237-136	1	Grommet	15:2	110-9781	1	Decal-Danger
5	32104-95	2	Screw-HWH	16	108-9811	1	Support-Rod, Prop
6	3290-255	1	Pin-Cotter, Hair	17	110-8287	1	Bulb-Seal
7	115-1446-03	1	Screen-Intake	18	3234-33	8	Screw-HHF
8	110-8291	1	Rod-Prop, Hood	19	104-7201	11	Nut-HF
9	3272-6	1	Pin-Cotter	20	110-8288	2	Seal-Foam
10	3274-39	4	Screw-HSBH	21	112-1694	1	Seal-Bulb
11	3296-2	4	Nut-Lock, NI	22	114-4899	17	Plug-Plastic
12	3229-11	3	Screw-CARR				



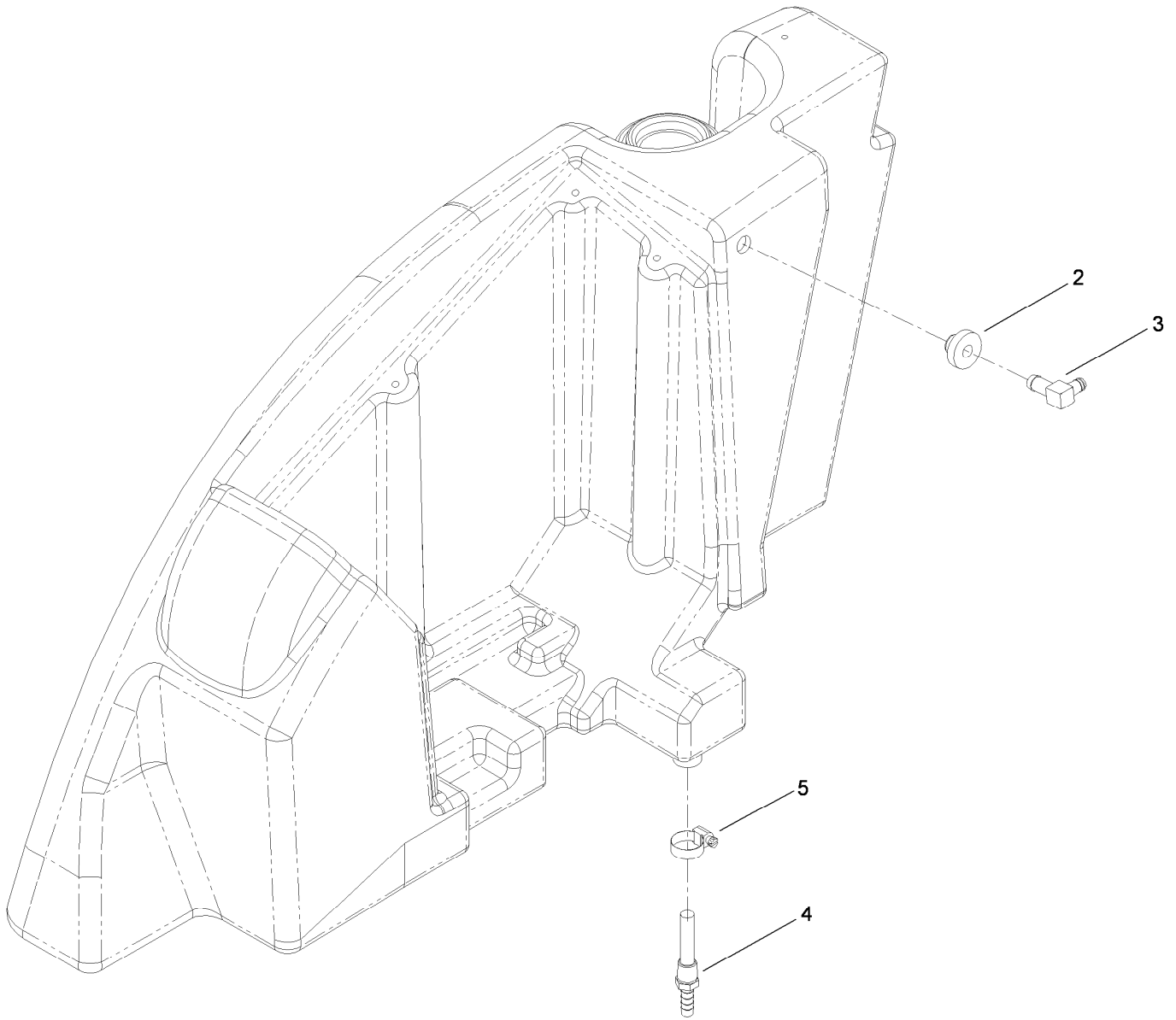
Fuel Tank Assembly

Ref.	Part Number	Qty.	Description	Ref.	Part Number	Qty.	Description
1	110-8230	1	LH Fuel Tank ASM	21	110-8252	1	Decal-Instructions, Service
2	110-8236	1	RH Fuel Tank ASM	22	107-4543	4	Clamp
3	115-5305	2	Cap-Fuel	23	322-10	4	Screw-HH
4	110-8261	1	Tube-Vent, LH	24	104-8300	4	Nut-Flange, NI
5	110-8260	1	Tube-Vent, RH	25	110-5539	1	Spacer
6	110-6186	2	Hose-Fuel	26	105-6814	2	Washer-Plain
7	354-107	1	Fitting-HYD, Tee	27	323-39	1	Screw-HH
8	104-7201	1	Nut-HF	28	104-8301	2	Nut-Flange, NI
9	110-4113	1	Hose-Fuel	29	110-5540-03	1	Cover-Toolbox
10	110-8806	1	Pump-Fuel	30	112-6349	6	Screw-HWH
11	112-6388	1	Hose-Fuel	31	109-0309	1	Hose-Fuel
12	110-8817	1	Bracket-Pump, Fuel	32	108-2024	1	Hinge
13	323-13	1	Screw-HH	33	3229-11	1	Screw-CARR
15	92-2379	11	Clamp-Hose	34	92-5753	1	Clamp-Hose
16	3290-378	2	Tie-Cable	35	3290-412	2	Rivet
17	32149-8	3	Nut-Keps	36	3256-24	2	Washer-Flat
18	32144-110	1	Screw-HWH	37	95-1905	2	Washer-Rubber
19	92-1239	1	Spacer-Support	38	112-9561	4	Pad-Foam
20	2412-89	2	Clamp-R				



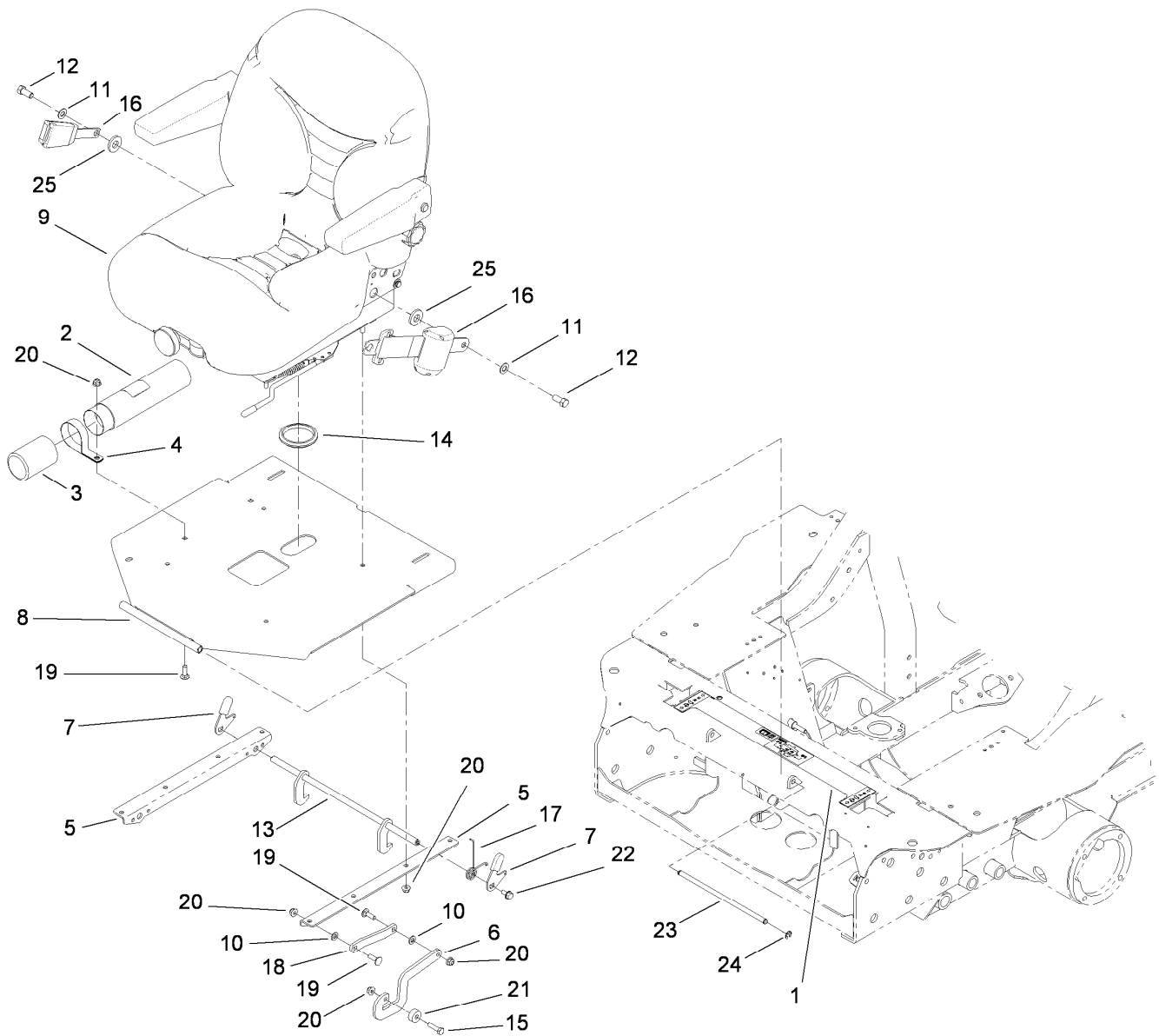
LH Fuel Tank Assembly No. 110-8230

<i>Ref.</i>	<i>Part Number</i>	<i>Qty.</i>	<i>Description</i>
2	110-8262	1	Gauge-Fuel
3	95-8972	1	Grommet
4	104-5228	1	Fitting-Elbow, 90 DEG
5	46-6560	2	Bushing
6	1-643259	1	Fitting-Elbow
7	112-6374	1	Fitting-Strainer
8	2412-36	1	Clamp-Hose



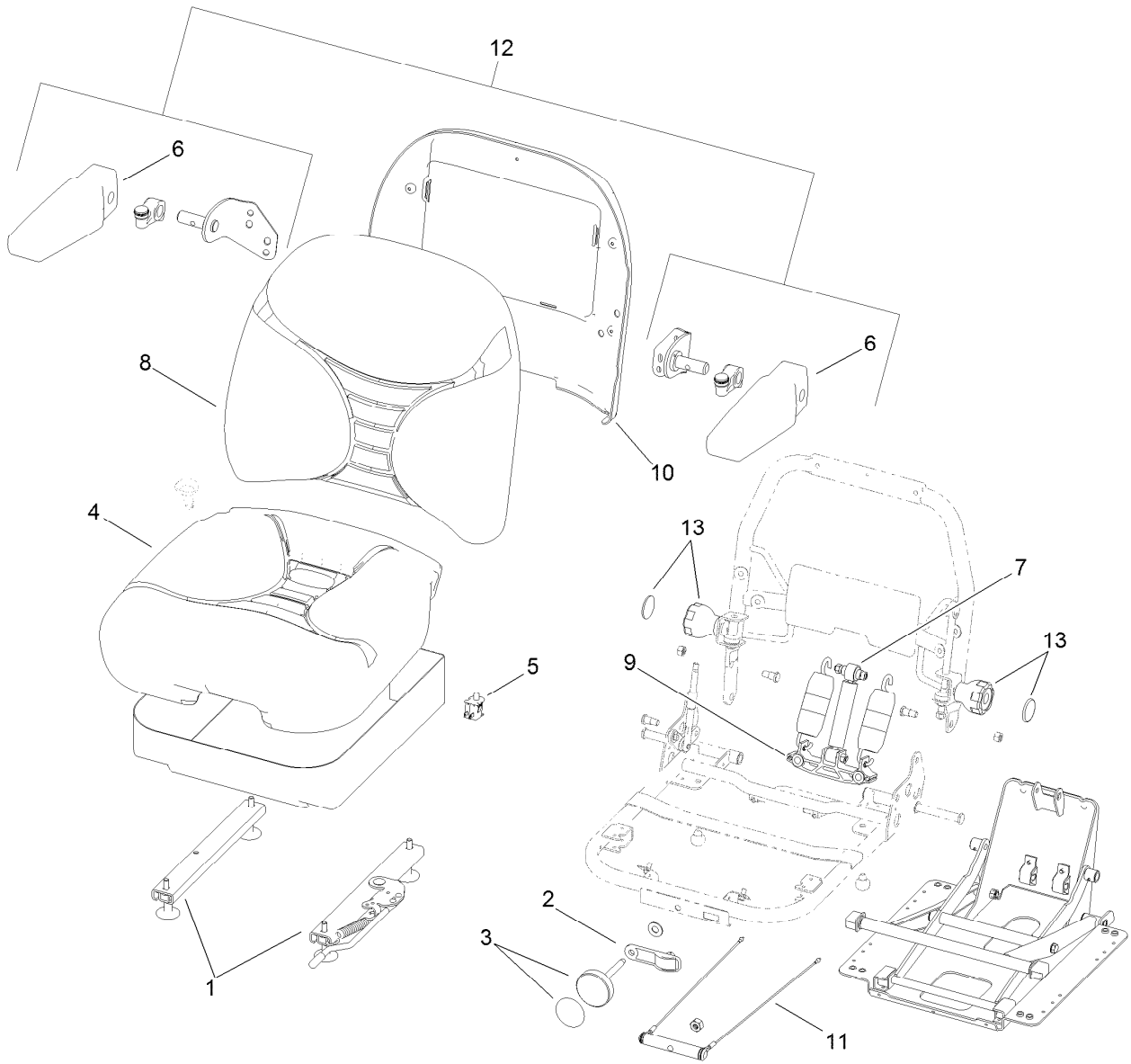
RH Fuel Tank Assembly No. 110-8236

<i>Ref.</i>	<i>Part Number</i>	<i>Qty.</i>	<i>Description</i>
2	46-6560	1	Bushing
3	1-643259	1	Fitting-Elbow
4	112-6374	1	Fitting-Strainer
5	2412-36	1	Clamp-Hose



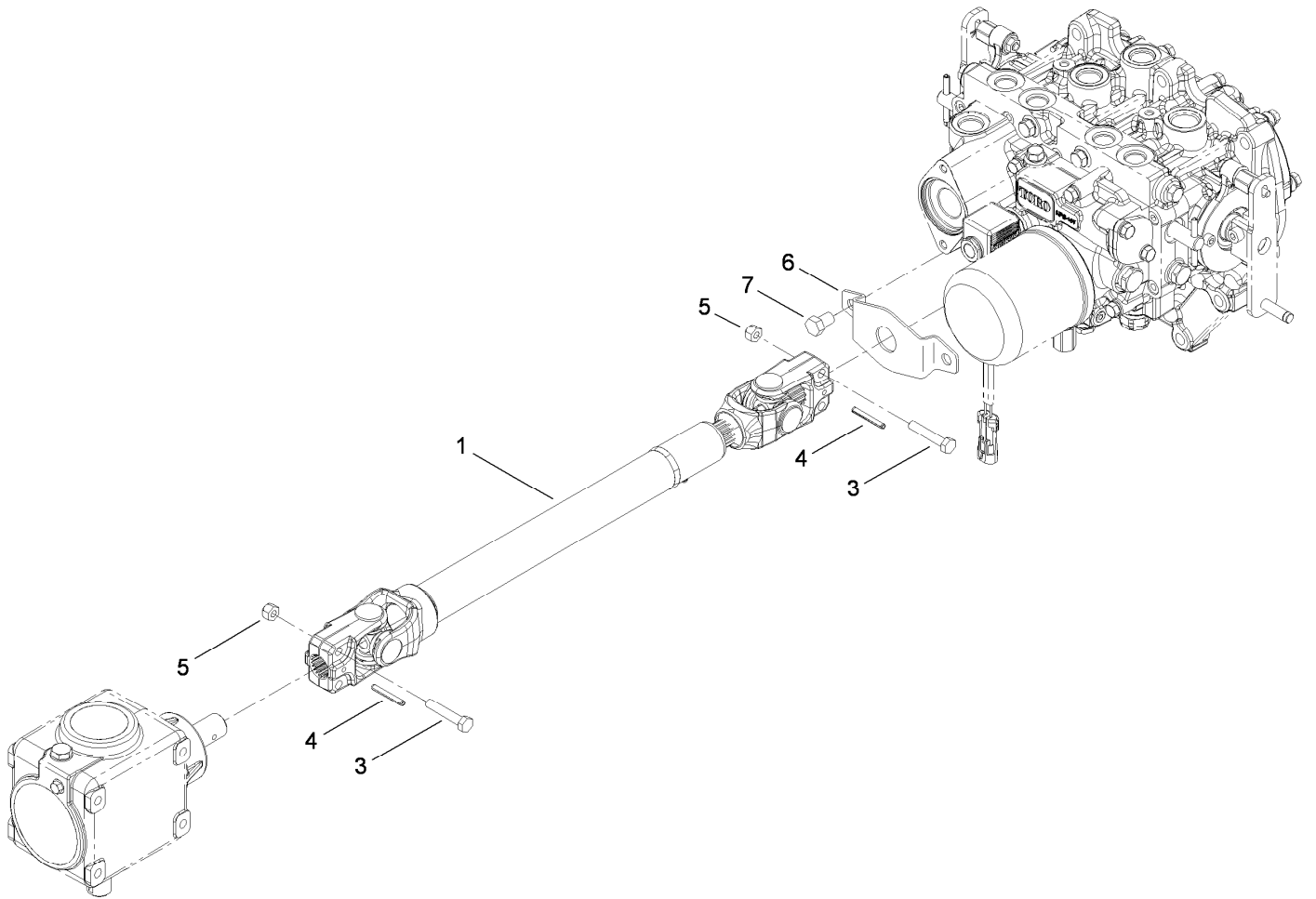
Seat Assembly

Ref.	Part Number	Qty.	Description	Ref.	Part Number	Qty.	Description
1	110-9774	1	Decal-Safety	14	237-164	1	Grommet
2	104-7050	1	Tube-Manual	15	322-6	1	Screw-HH
3	104-7048	1	Cap-Housing	16	110-0413	1	Seatbelt-Retractable
4	2412-133	2	R-Clamp	17	106-4048	1	Spring-Torsion
5	108-5238-03	2	Angle-Latch	18	110-5513	1	Link-Seat
6	110-5512	1	Lever-Stop, Seat	19	3230-2	4	Bolt-CARR
7	108-5243	2	Lever-Latch	20	104-8300	9	Nut-Flange, NI
8	107-2272-03	1	Plate-Seat	21	104-1429	1	Spacer-Plain
9	107-2286	1	Seat ASM	22	32144-14	2	Screw-HWHTF
10	3256-23	2	Washer-Flat	23	112-1686	1	Pin-Clevis
11	3256-25	2	Washer-Flat	24	105-7004	2	E-Ring
12	3212-4	2	Screw-HH	25	99-7667	2	Washer-Flat
13	108-5240	1	Latch ASM				



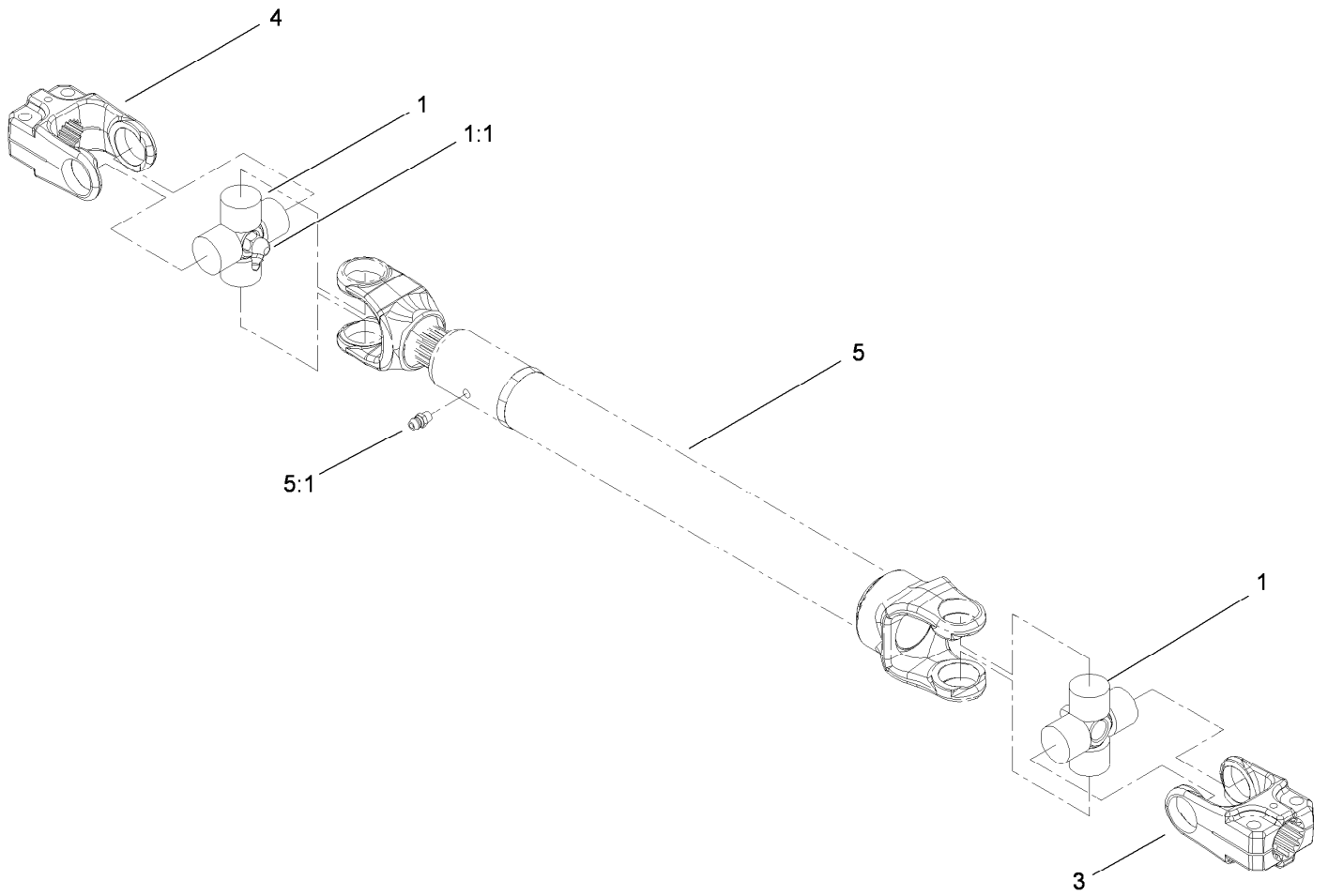
Seat Assembly No. 107-2286

Ref.	Part Number	Qty.	Description
1	107-1880	1	Seat Track Kit
2	107-1885	1	Weight Indicator Kit
3	121-9431	1	Knob Kit
4	107-1883	1	Bottom Cushion Kit
5	82-2190	1	Switch-Bail
6	107-1887	2	Pad-Armrest
7	107-1884	1	Shock Absorber Kit
8	107-1882	1	Back Cushion Kit
9	109-3343	1	Spring And Saddle Kit
10	109-3344	1	Back Panel Kit
11	109-3345	1	Weight Adjust Kit
12	121-9415	1	Armrest Kit
13	121-9432	2	Adjust Knob Kit



Driveshaft Assembly

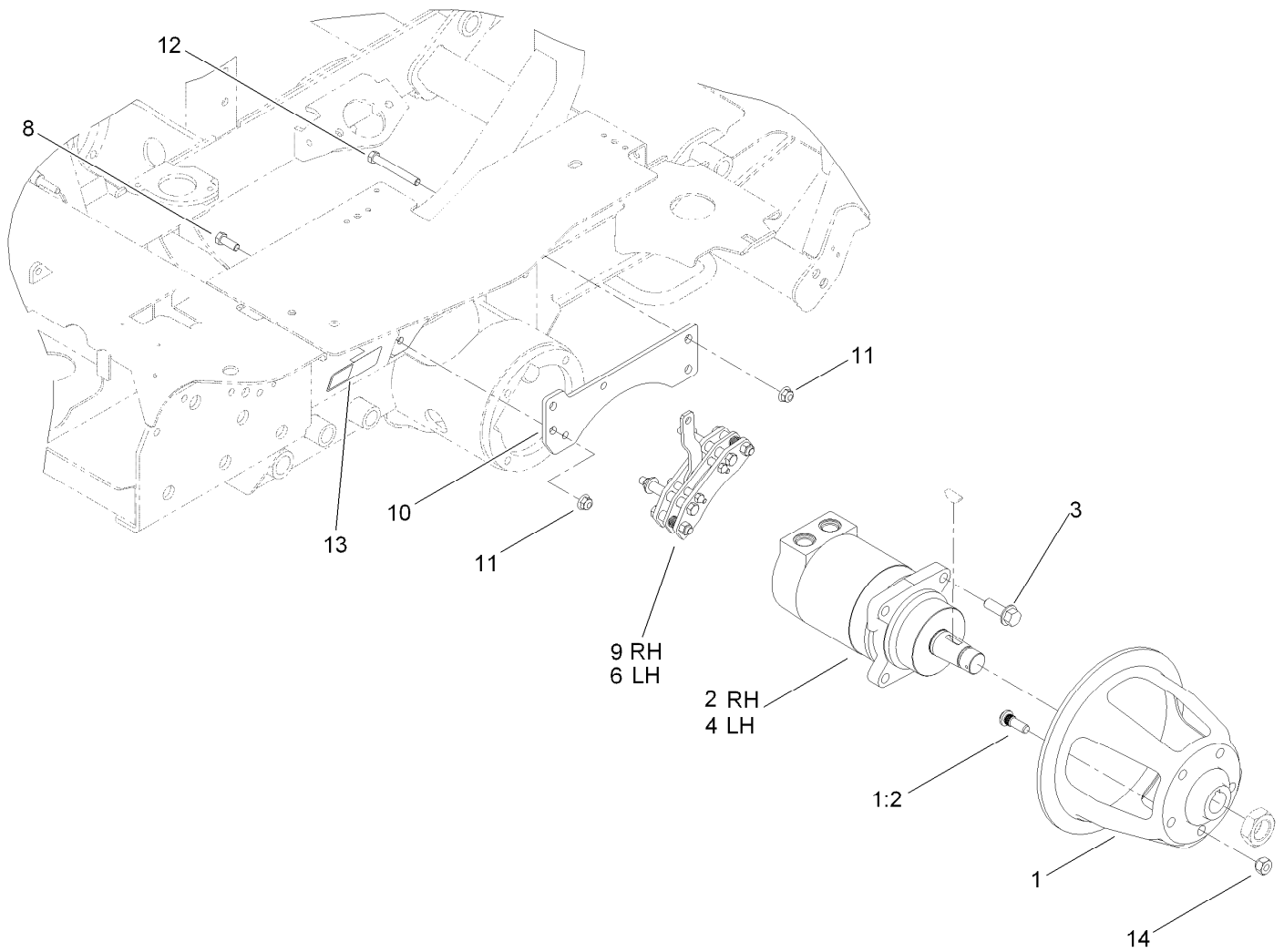
<i>Ref.</i>	<i>Part Number</i>	<i>Qty.</i>	<i>Description</i>
1	110-3575	1	Driveshaft ASM
3	322-9	4	Screw-HH
4	32121-34	2	Pin-Roll
5	3296-29	4	Nut-Lock, NI
6	114-4088	1	Shield-Seal
7	33115-016	2	Screw-HH



Driveshaft Assembly No. 110-3575

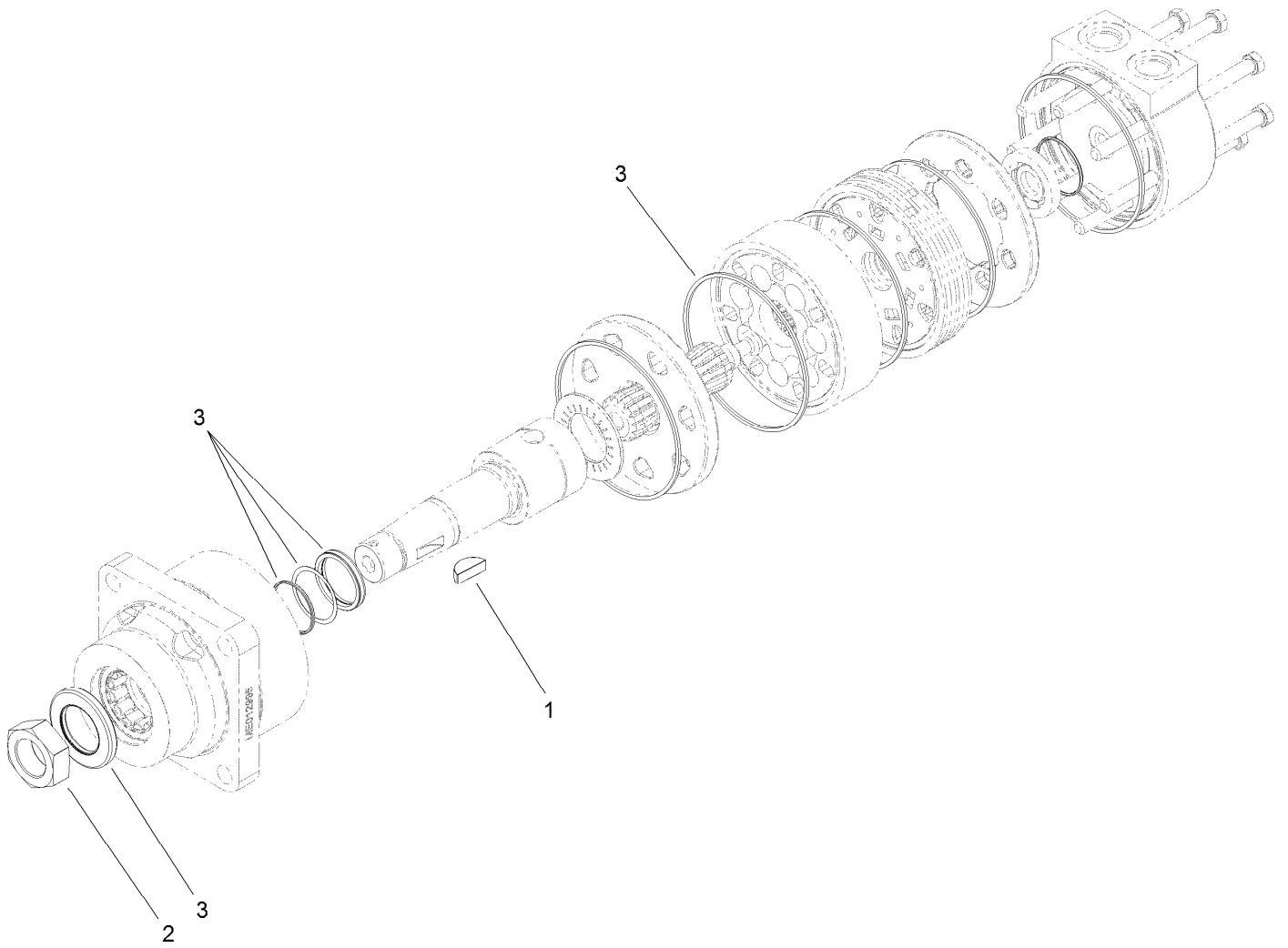
<i>Ref.</i>	<i>Part Number</i>	<i>Qty.</i>	<i>Description</i>
1	112-1687	2	Cross And Bearing Kit
1:1	62-3820	1	Fitting-Grease
3	54-9040	1	Yoke-End
4	54-9090	1	Yoke-End
5		1	Tube-Yoke, Slip ●
5:1	302-22	1	Fitting-Grease

● Not serviced separately



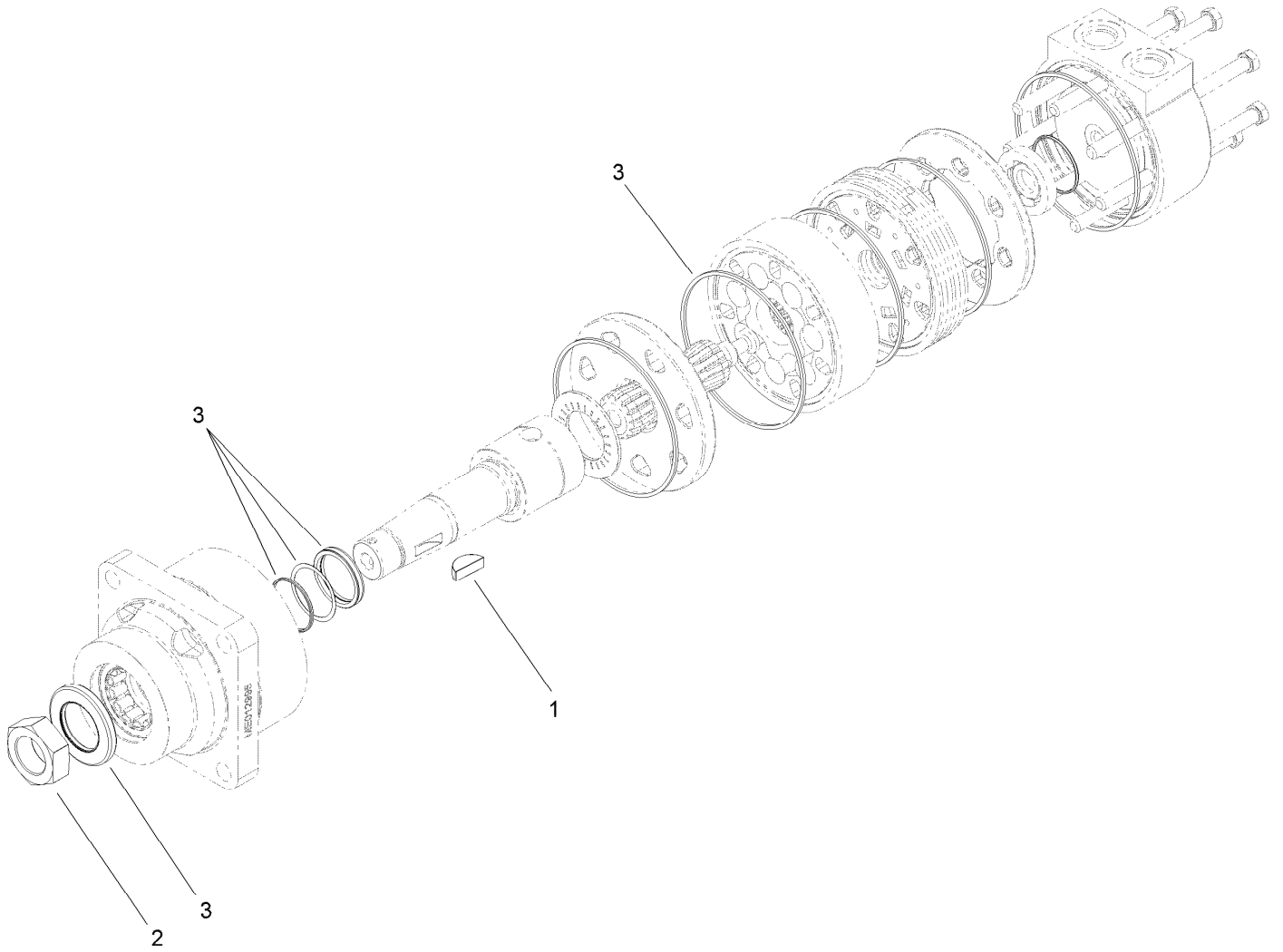
Rear Drive Assembly

Ref.	Part Number	Qty.	Description
1	110-5535	2	Wheel Hub ASM
1:2	87-8730	5	Stud
2	108-5230	1	RH HYD Motor ASM
3	100-6116	8	Screw-HHF
4	108-5155	1	LH HYD Motor ASM
6	120-0013	1	LH Brake Caliper ASM
8	323-6	4	Screw-HH
9	120-0014	1	RH Brake Caliper ASM
10	112-9550-03	2	Bracket-Brake
11	104-8301	8	Nut-Flange, NI
12	323-14	4	Screw-HH
13	106-9206	2	Decal-Torque, Wheel
14	23-7270	10	Nut-Wheel



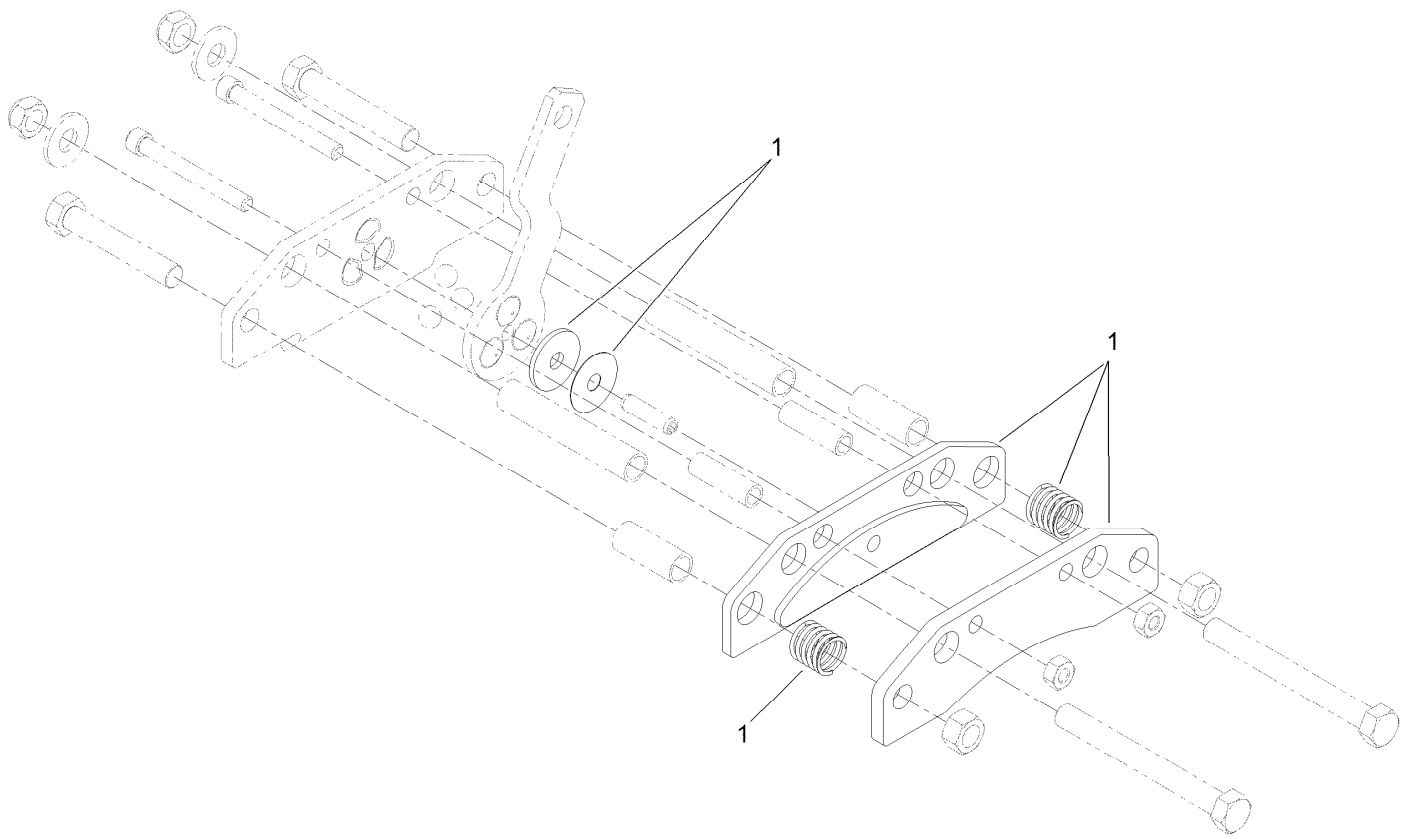
Hydraulic Motor Assembly No. 108-5230

<i>Ref.</i>	<i>Part Number</i>	<i>Qty.</i>	<i>Description</i>
1	3257-42	1	Key-Woodruff
2	107-9319	1	Nut-Hex
3	112-8405	1	Seal Kit



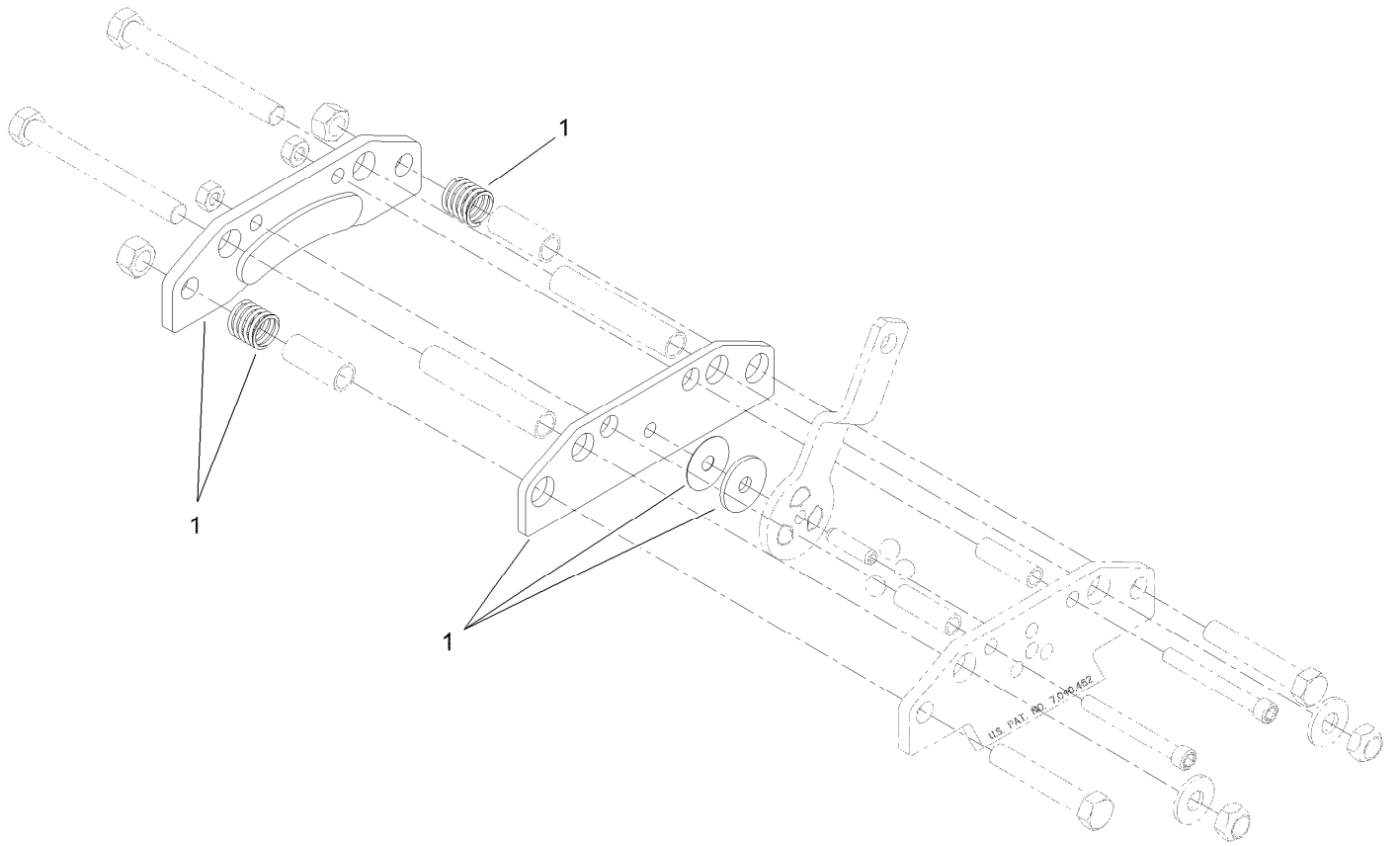
Hydraulic Motor Assembly No. 108-5155

<i>Ref.</i>	<i>Part Number</i>	<i>Qty.</i>	<i>Description</i>
1	3257-42	1	Key-Woodruff
2	107-9319	1	Nut-Hex
3	112-8405	1	Seal Kit



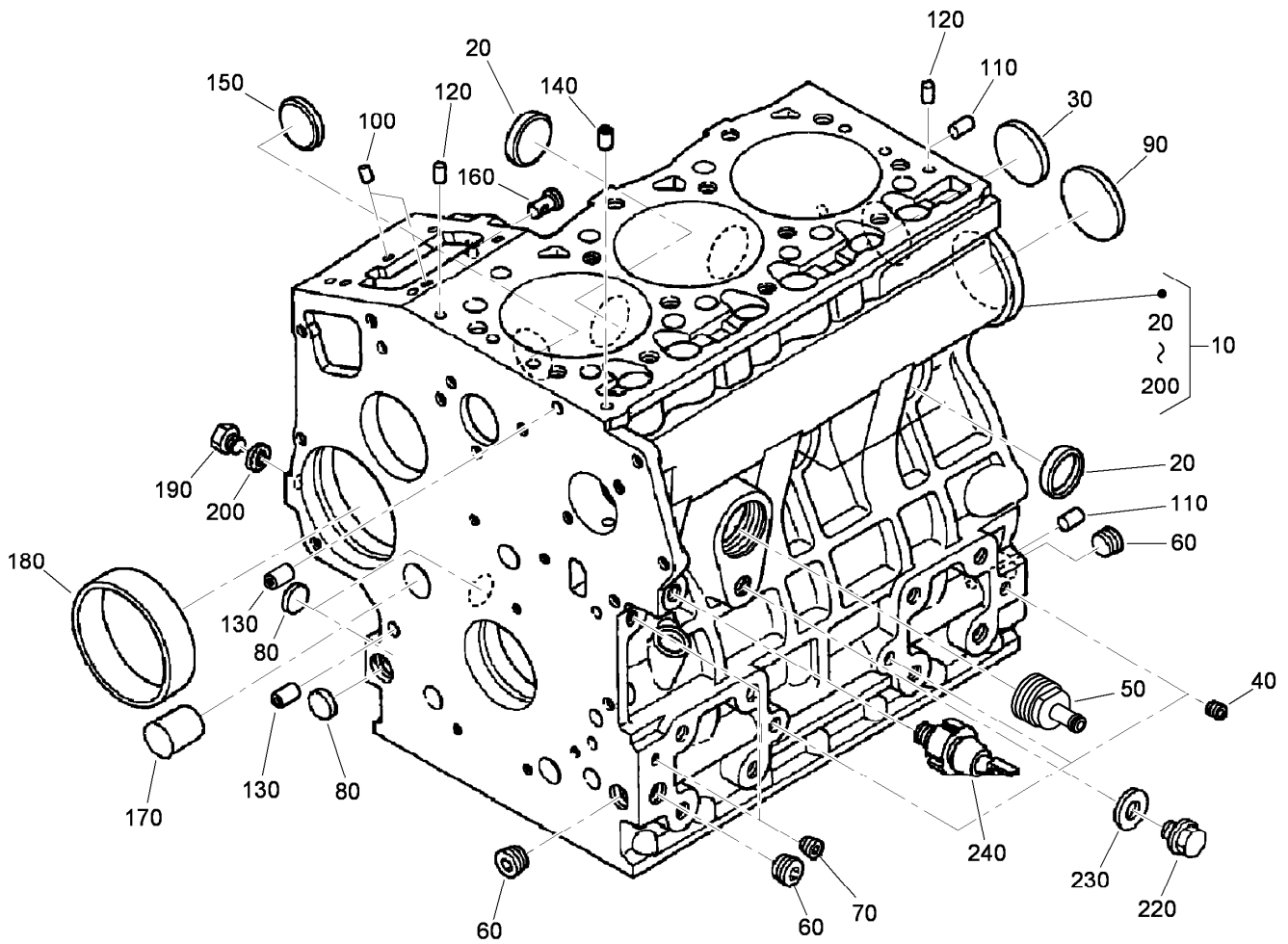
LH Brake Caliper Assembly No. 120-0013

<i>Ref.</i>	<i>Part Number</i>	<i>Qty.</i>	<i>Description</i>
1	120-0015	1	Replacement Brake Pad Service Kit



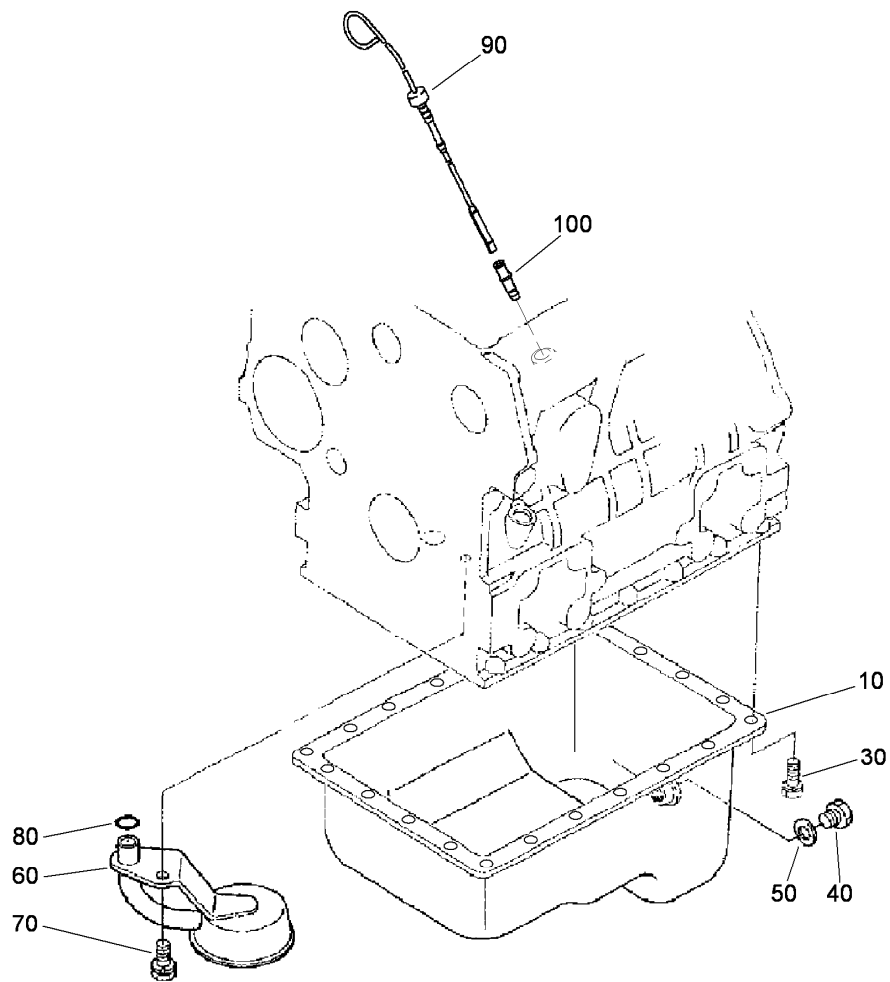
RH Brake Caliper Assembly No. 120-0014

<i>Ref.</i>	<i>Part Number</i>	<i>Qty.</i>	<i>Description</i>
1	120-0015	1	Replacement Brake Pad Service Kit



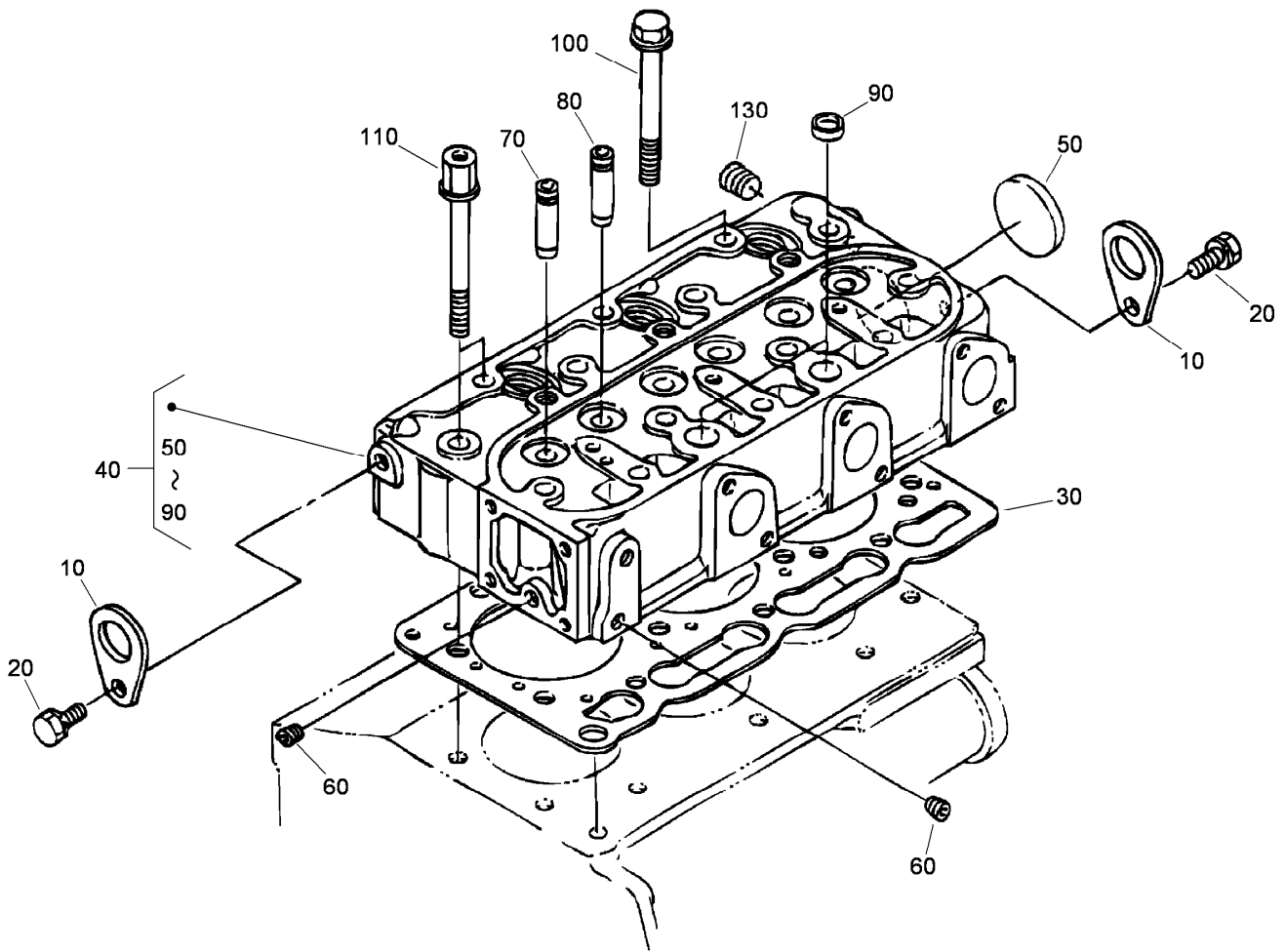
Crankcase Assembly

Ref.	Part Number	Qty.	Description
10	112-7043	1	Crankcase ASM
20	98-9398	4	Cap-Sealing
30	98-7539	1	Cap-Sealing
40	98-7540	3	Plug
50	99-8347	1	Joint-Pipe, Drain
60	98-9597	3	Plug
70	98-7487	2	Plug
80	98-9379	3	Plug-Expansion
90	98-9668	1	Plug-Expansion
100	98-9375	2	Pin-Straight
110	98-9377	2	Pin-Straight
120	98-9376	2	Pin-Straight
130	98-9387	2	Pin-Pipe
140	98-9539	1	Pin-Pipe
150	98-9599	1	Plug
160	98-9630	1	Pin-Spring, Start
170	98-9675	1	Plug
180	98-9656	1	Bushing-Governor, Gear
190	98-7507	1	Plug
200	98-7428	1	Gasket
220	99-3447	1	Plug
230	106-7056	1	Gasket
240	98-9416	1	Switch-Oil



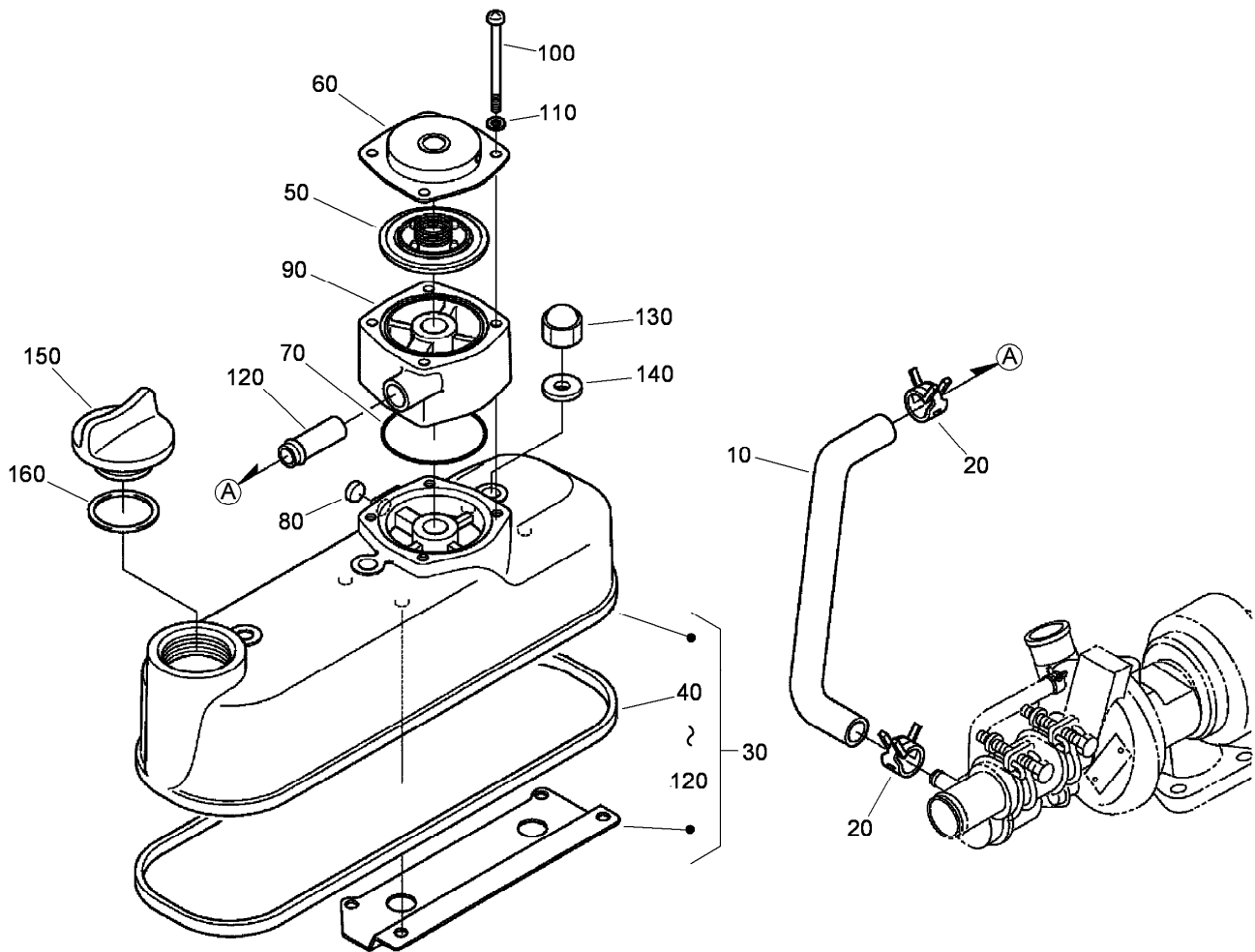
Oil Pan Assembly

<i>Ref.</i>	<i>Part Number</i>	<i>Qty.</i>	<i>Description</i>
10	112-0179	1	Pan-Oil
30	98-9351	22	Bolt
40	114-8151	1	Plug-Drain
50	98-7524	1	Gasket
60	112-7044	1	*obs* Head-Filter
70	98-7526	1	Bolt
80	105-3776	1	O-Ring
90	107-9076	1	Gauge-Oil
100	105-4580	1	Guide-Gauge, Oil



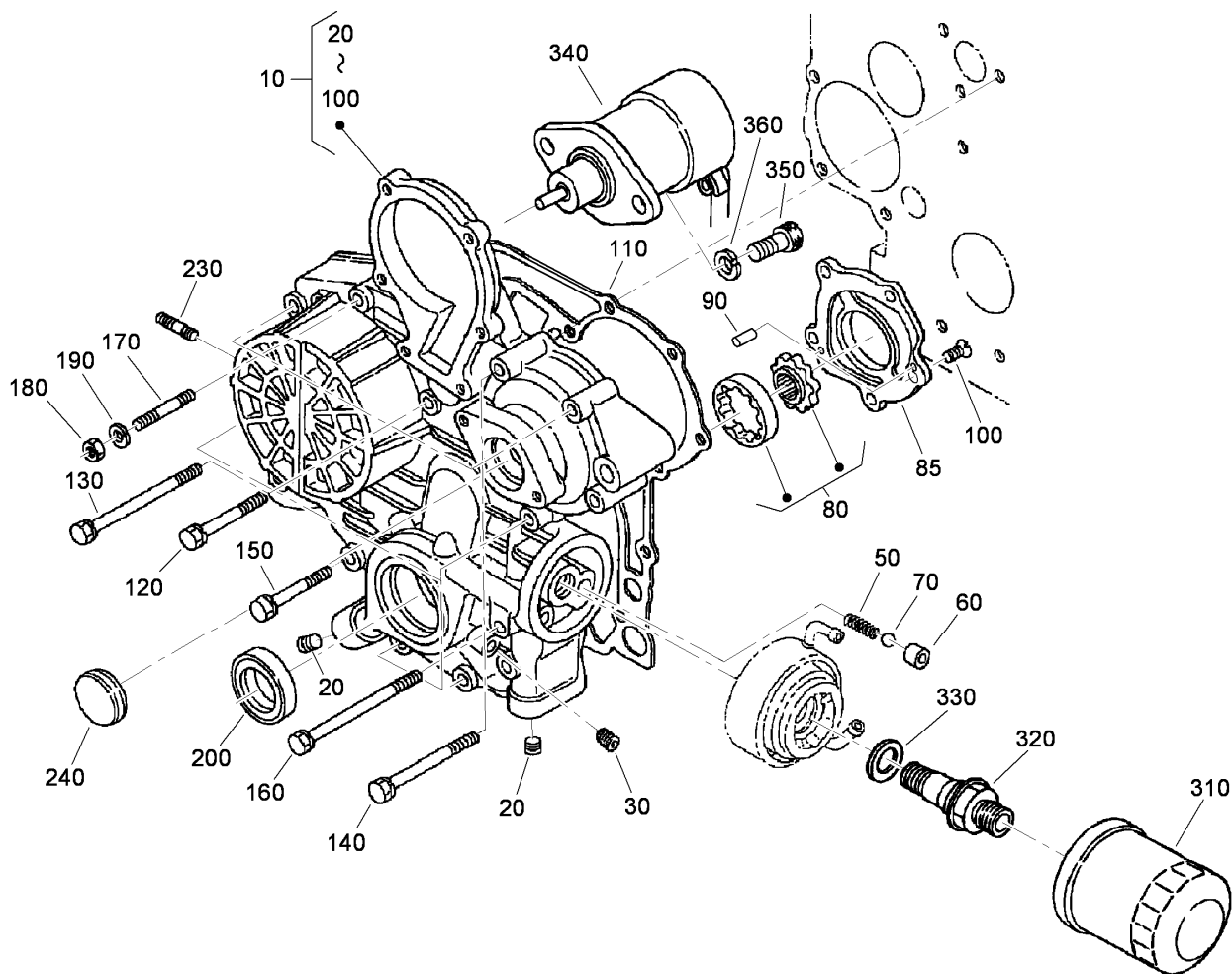
Cylinder Head Assembly

<i>Ref.</i>	<i>Part Number</i>	<i>Qty.</i>	<i>Description</i>
10	98-7531	2	Hook-Engine
20	100-9195	2	Bolt
30	108-6573	1	Gasket-Head, Cylinder
40	107-7823	1	Cylinder Head ASM
50	105-3705	1	Cap-Sealing
60	98-7540	2	Plug
70	107-9066	3	Guide-Valve, Inlet
80	107-9067	3	Guide-Valve, Exhaust
90	98-9389	2	Cap-Sealing
100	98-9479	12	Bolt-Head, Cylinder
110	98-9647	2	Bolt-Head, Cylinder
130	98-9444	1	Plug



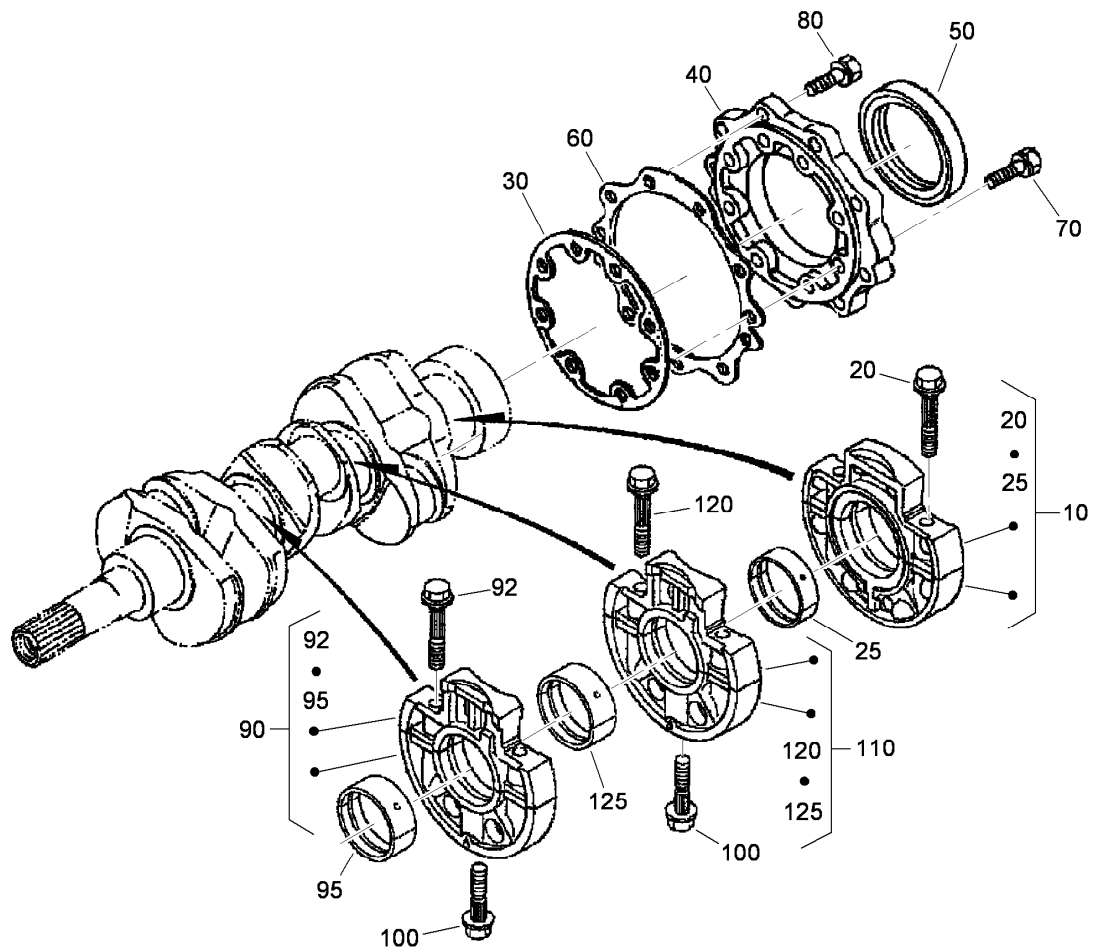
Head Cover Assembly

<i>Ref.</i>	<i>Part Number</i>	<i>Qty.</i>	<i>Description</i>
10	115-3040	1	Tube-Breather
20	108-2859	2	Clamp-Hose
30	115-3041	1	Cylinder Head Cover ASM
40	98-9615	1	Gasket-Cover, Head
50	108-2861	1	Breather Valve ASM
60	110-3714	1	Cover-Breather
70	110-3846	1	O Ring-Breather
80	115-3042	1	Cap-Sealing
90	115-3043	1	Spacer-Breather
100	115-3044	4	Screw-Pan Head
110	100-2204	4	Washer-Spring
120	98-7766	1	Pipe-Return, Water
130	98-9455	3	Nut-Cap
140	98-9454	3	Gasket
150	107-9075	1	Plug-Filler, Oil
160	99-3446	1	O-Ring



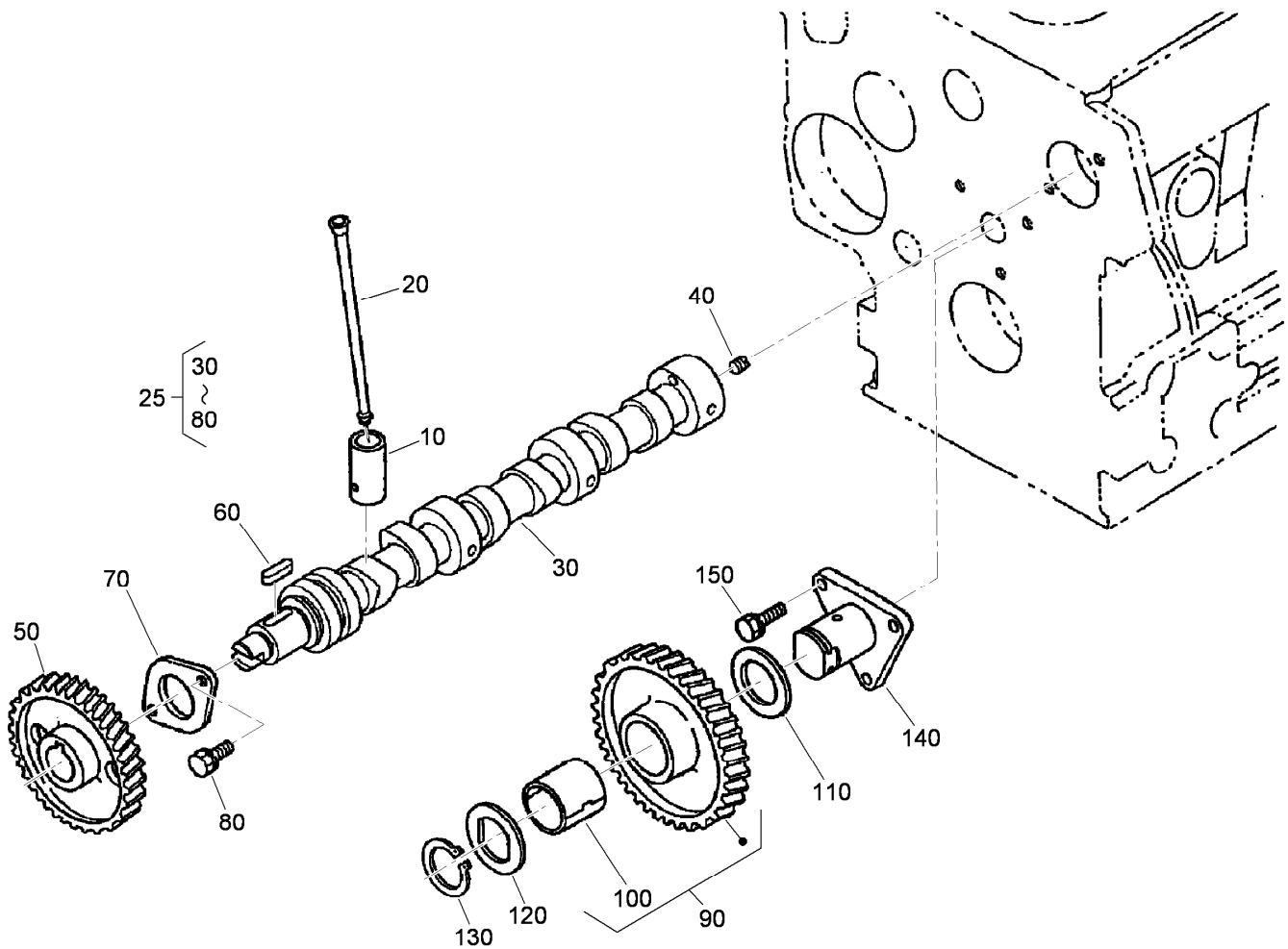
Gear Case Assembly

<i>Ref.</i>	<i>Part Number</i>	<i>Qty.</i>	<i>Description</i>	<i>Ref.</i>	<i>Part Number</i>	<i>Qty.</i>	<i>Description</i>
10	115-4111	1	Gear Case ASM	150	107-9074	1	Bolt
20	98-9598	2	Plug	160	98-9586	2	Bolt
30	98-7487	1	Plug	170	105-3709	1	Stud
50	98-9544	1	Spring	180	98-7572	1	Nut
60	98-9543	1	Seat-Valve	190	98-7699	1	Washer-Spring
70	98-9380	1	Ball	200	98-9482	1	Seal-Oil
80	98-9540	1	Oil Pump Rotor ASM	230	105-3710	2	Stud
85	107-9069	1	Cover-Pump, Oil	240	98-9641	1	Cover-Case, Gear
90	107-9072	2	Pin-Straight	310	108-3841	1	Filter-Oil
100	107-9071	5	Screw	320	104-5159	1	Holder ASM
110	98-9633	1	Gasket-Case, Gear	330	98-9727	1	Collar
120	98-7496	3	Bolt	340	104-5155	1	Solenoid-Stop
130	105-3797	4	Bolt	350	115-3039	2	Bolt-HSH
140	98-9356	4	Bolt	360	98-7699	2	Washer-Spring



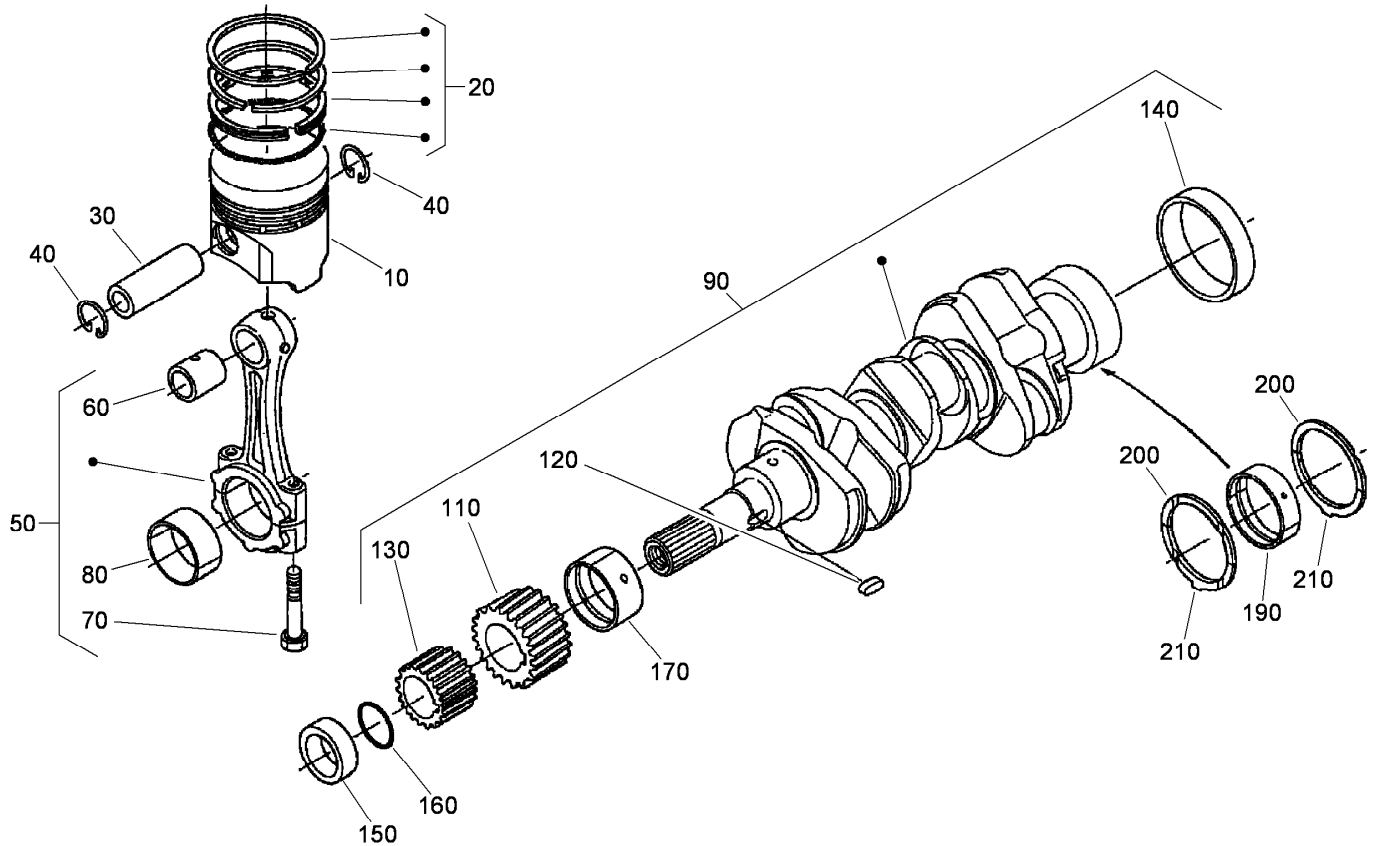
Main Bearing Case Assembly

<i>Ref.</i>	<i>Part Number</i>	<i>Qty.</i>	<i>Description</i>
10	112-7026	1	Wheel Bearing Case ASM
20	98-9484	2	Bolt-Case, Bearing
25	112-7045	1	Metal-Crankshaft
25	112-7039	1	Metal-Crankshaft (0.2Mm)
25	112-7040	1	Metal-Crankshaft (-0.4Mm)
30	98-9634	1	Gasket-Case, Bearing
40	112-7046	1	Cover-Case, Bearing
50	112-0180	1	Seal-Oil
60	112-7037	1	Gasket-Cover, Case
70	98-9352	8	Bolt
80	98-7568	9	Bolt
90	112-7028	1	Bearing ASM
92	98-9484	2	Bolt-Case, Bearing
95	112-7011	1	Bearing-Main (STD)
95	112-7012	1	Metal-Crankpin (-0.2Mm)
95	112-7013	1	Metal-Crankpin (-0.4Mm)
100	98-9485	2	Bolt-Case, Bearing
110	112-7027	1	Bearing ASM
120	98-9484	2	Bolt-Case, Bearing
125	112-7011	1	Bearing-Main (STD)
125	112-7012	1	Metal-Crankpin (-0.2Mm)
125	112-7013	1	Metal-Crankpin (-0.4Mm)



Camshaft and Idle Gear Shaft Assembly

<i>Ref.</i>	<i>Part Number</i>	<i>Qty.</i>	<i>Description</i>
10	112-0185	6	Tappet
20	98-9509	6	Rod-Push
25	112-7029	1	Camshaft ASM
30	108-1403	1	Camshaft
40	98-7449	1	Screw-Set
50	98-9512	1	Gear-Cam
60	98-9378	1	Key-Feather
70	98-9510	1	Stopper-Camshaft
80	98-7692	2	Bolt
90	98-9649	1	Idle Gear ASM
100	98-9650	1	Bushing-Gear, Idle
110	98-9535	1	Collar-Gear, Idle
120	98-9536	1	Collar-Gear, Idle
130	98-9534	1	Circlip-Gear, Idle
140	98-9533	1	Shaft-Gear, Idle
150	98-7692	3	Bolt

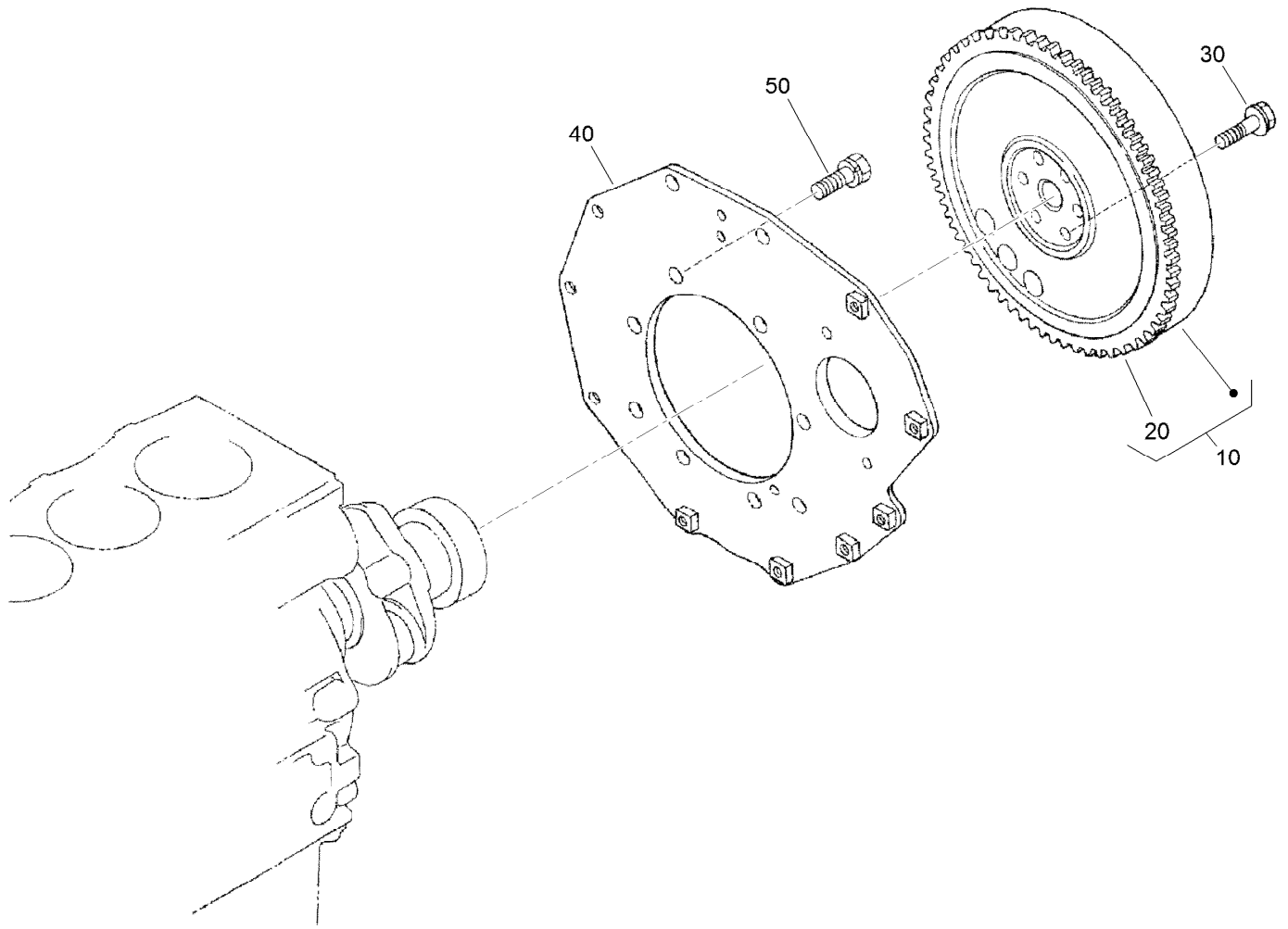


Piston and Crankshaft Assembly

Ref.	Part Number	Qty.	Description
10	98-9550	3	Piston (STD)
10	108-1417	3	Piston (0.5Mm)
20	98-9551	3	Piston Ring ASM (STD)
20	108-1404	3	Piston Ring ASM (0.5Mm)
30	98-9513	3	Pin-Piston
40	98-9514	6	Circlip-Pin, Piston
50	98-9552	3	Connecting Rod ASM
60	115-3014	3	Bushing-Pin, Piston
70	98-9517	6	Bolt-Rod, Connecting
80	98-9553	3	Bearing-Rod (STD)
80	108-1405	3	Metal-Crankpin (-0.2Mm)
80	108-1406	3	Metal-Crankpin (-0.4Mm)
90	98-9642	1	Crankshaft ASM
100	110-3729	3	Ball ●
110	98-9532	1	Gear-Crankshaft
120	98-9666	1	Key
130	98-9542	1	Gear-Drive, Oil Pump
140	98-9522	1	Sleeve-Crankshaft

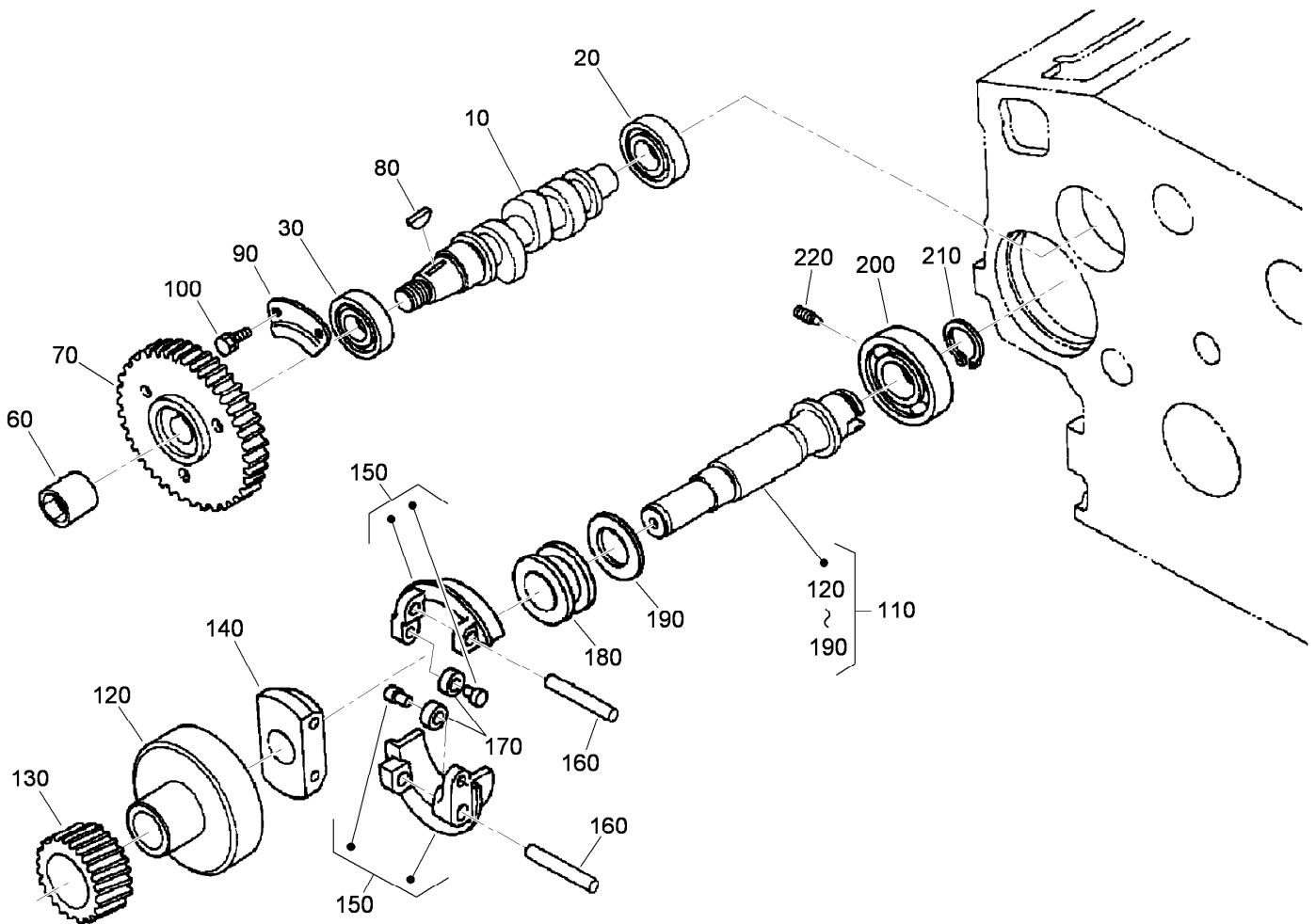
Ref.	Part Number	Qty.	Description
150	98-9521	1	Collar-Crankshaft
160	105-3783	1	O-Ring
170	112-7005	1	Bearing-Main (STD)
170	112-7009	1	Metal-Crankpin (-0.2Mm)
170	112-7010	1	Metal-Crankpin (-0.4Mm)
180	112-7011	2	Bearing-Main (STD) ●
180	112-7012	2	Metal-Crankpin (-0.2Mm) ●
180	112-7013	2	Metal-Crankpin (-0.4Mm) ●
190	112-7045	1	Metal-Crankshaft
190	112-7039	1	Metal-Crankshaft (0.2Mm)
190	112-7040	1	Metal-Crankshaft (-0.4Mm)
200	98-9413	2	Bearing-Thrust (STD)
200	98-9414	2	Bearing-Thrust (0.2Mm)
200	98-9415	2	Bearing-Thrust (0.4Mm)
210	98-9688	2	Bearing-Thrust (STD)
210	98-9689	2	Bearing-Thrust (0.2Mm)
210	98-9690	2	Bearing-Thrust (0.4Mm)

● Not illustrated



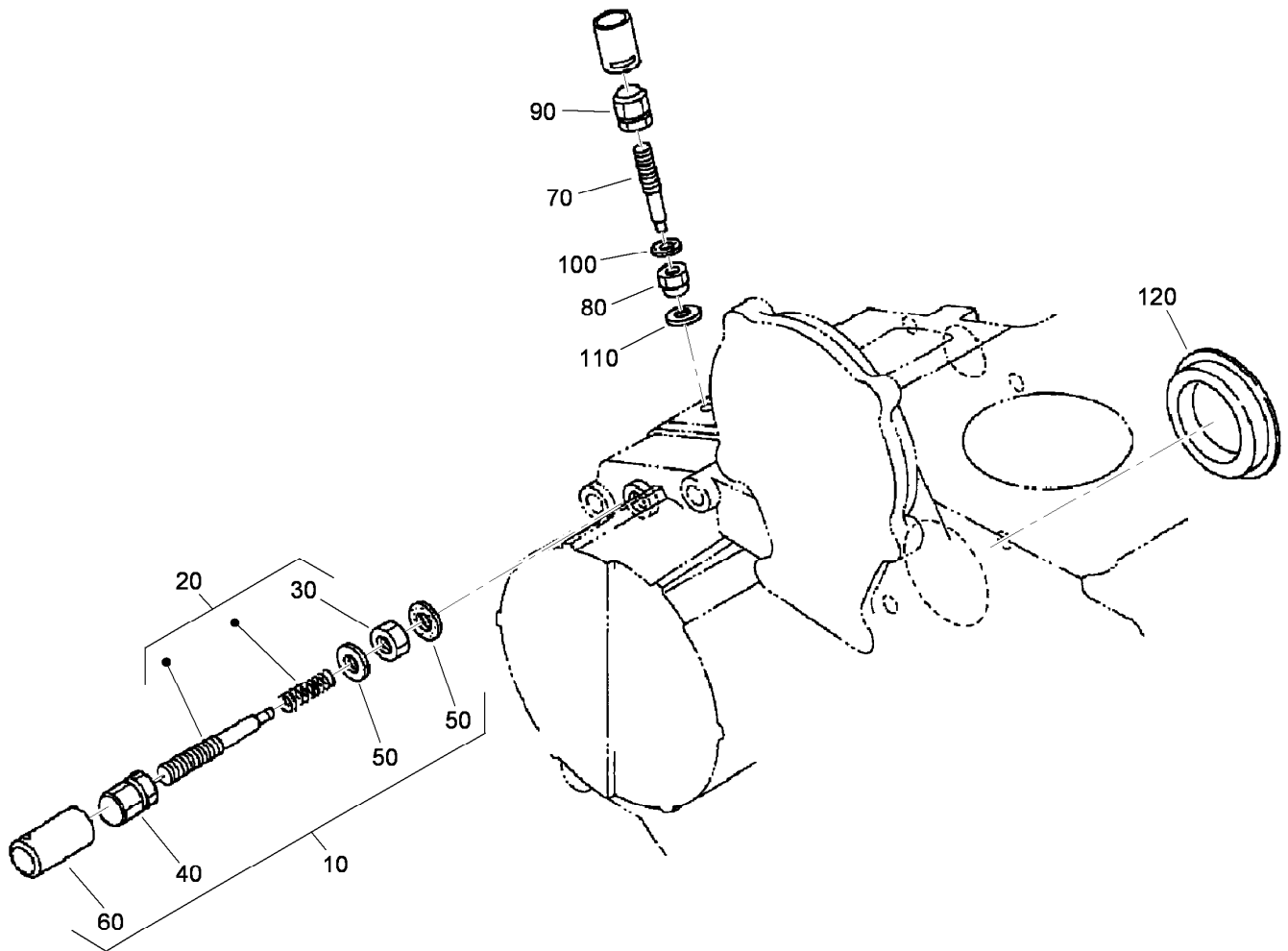
Flywheel Assembly

<i>Ref.</i>	<i>Part Number</i>	<i>Qty.</i>	<i>Description</i>
10	105-3784	1	Flywheel ASM
20	115-3015	1	Gear-Ring
30	98-9537	6	Bolt-Flywheel
40	98-9486	1	Plate-End, Rear
50	98-9392	8	Bolt



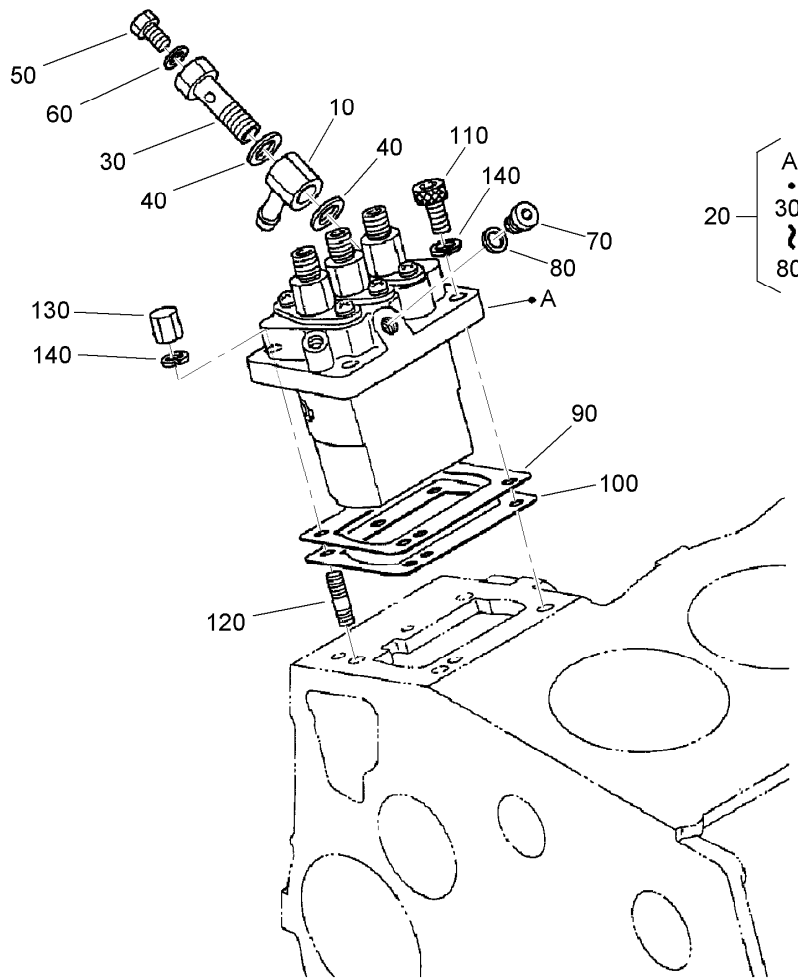
Fuel Camshaft and Governor Shaft Assembly

<i>Ref.</i>	<i>Part Number</i>	<i>Qty.</i>	<i>Description</i>
10	98-9459	1	Camshaft-Fuel
20	107-9077	1	Bearing-Ball
30	107-9078	1	Bearing-Ball
60	98-9590	1	Nut-Cap
70	98-9669	1	Gear-Pump, Injection
80	98-9595	1	Key-Woodruff
90	98-9511	1	Stopper-Fuel, Camshaft
100	98-7692	2	Bolt
110	98-9644	1	Governor Shaft ASM
120	98-9562	1	Holder-Gear, Governor
130	98-9673	1	Gear-Governor
140	98-9561	1	Holder-Weight, Governor
150	98-9559	2	Governor Weight ASM
160	98-9560	2	Shaft-Weight, Governor
170	98-9692	2	Roller
180	98-9563	1	Sleeve-Governor
190	98-9564	1	Washer-Thrust
200	107-9079	1	Bearing-Ball
210	98-9657	1	Circlip-Shaft, Governor
220	98-9565	1	Screw-Set



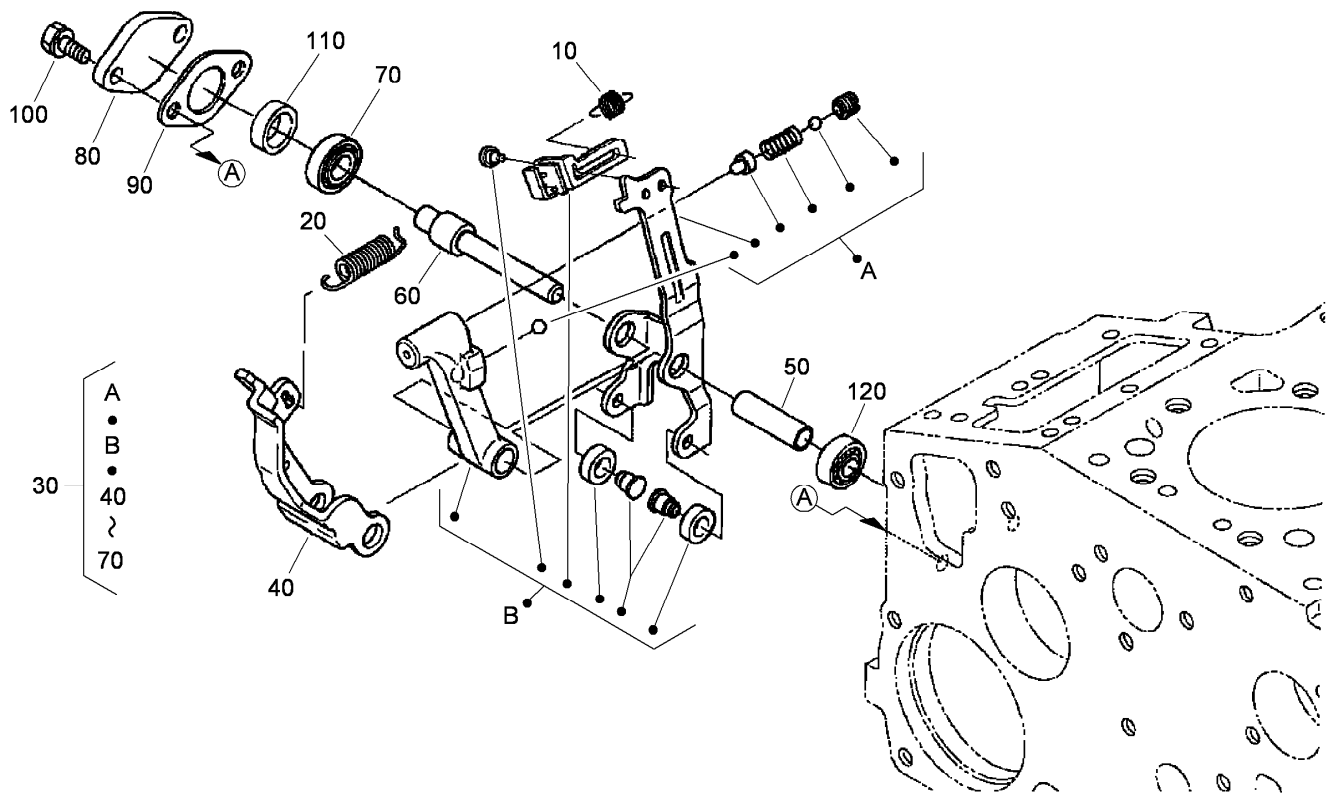
Idle Apparatus Assembly

<i>Ref.</i>	<i>Part Number</i>	<i>Qty.</i>	<i>Description</i>
10	98-9678	1	Idle Apparatus ASM
20	112-7014	1	Adjusting Bolt ASM
30	99-8387	1	Nut-Cap
40	112-0181	1	Nut
50	98-7654	2	Gasket
60	98-7656	1	Cap
70	112-7015	1	Bolt-Adjusting
80	100-2175	1	Nut-Lock
90	112-0181	1	Nut
100	98-7654	1	Gasket
110	107-9081	1	Gasket
120	112-7016	1	Cover-Pump



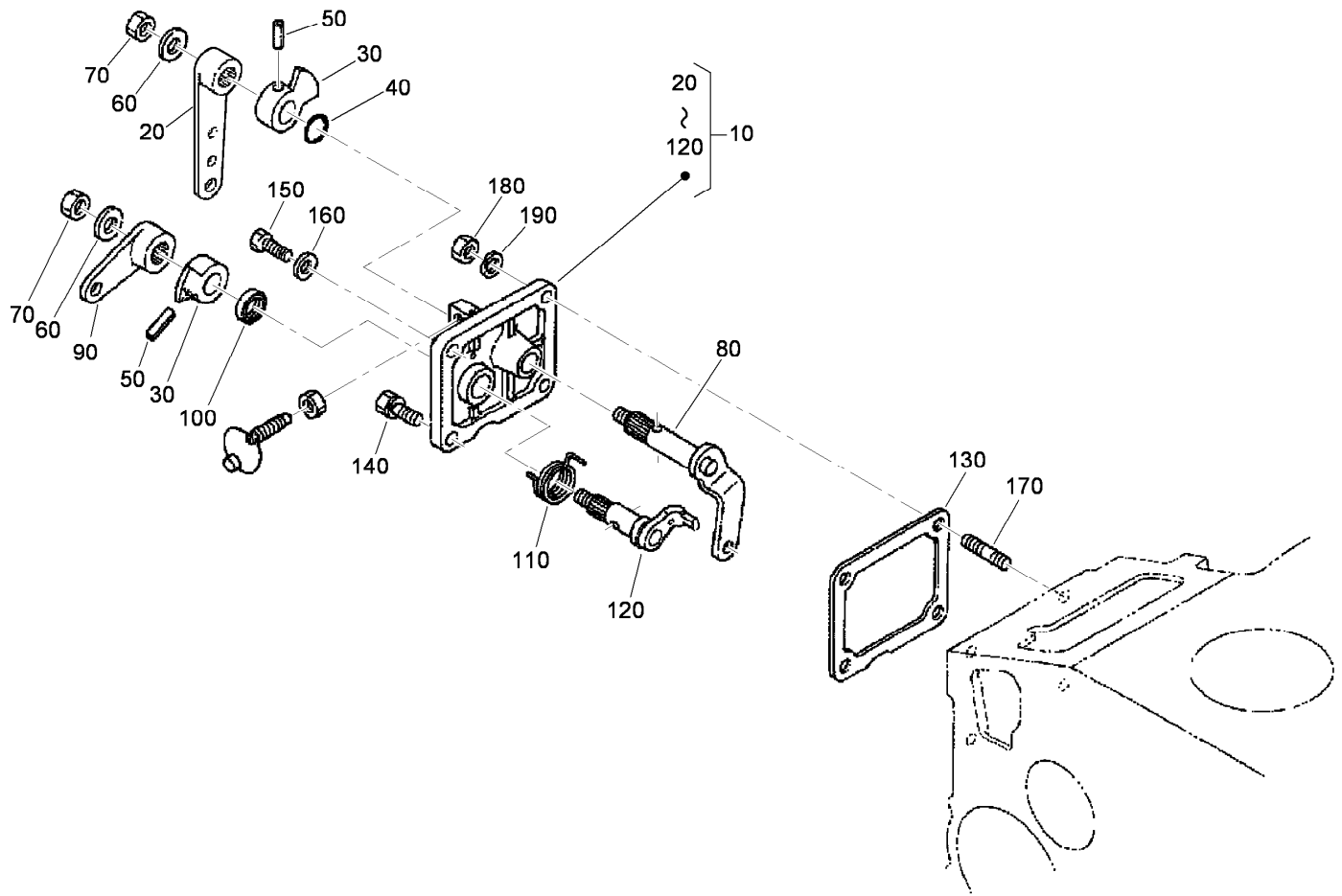
Injection Pump Assembly

<i>Ref.</i>	<i>Part Number</i>	<i>Qty.</i>	<i>Description</i>
10	98-9596	1	Joint-Eye
20	98-9643	1	Injection Pump ASM
30	98-9464	1	Bolt-Joint
40	98-9445	2	Gasket
50	98-9430	1	Screw
60	98-9446	1	Gasket
70	98-9466	1	Plug
80	98-9451	1	Gasket
90	98-9457	1	Shim-Injection (0.25Mm)
90	98-9456	1	Shim-Injection (0.20Mm)
100	98-9458	1	Shim-Injection (0.30Mm)
110	98-9361	2	Bolt-HSH
120	98-9438	2	Stud
130	98-9440	2	Nut-Cap
140	98-7699	4	Washer-Spring



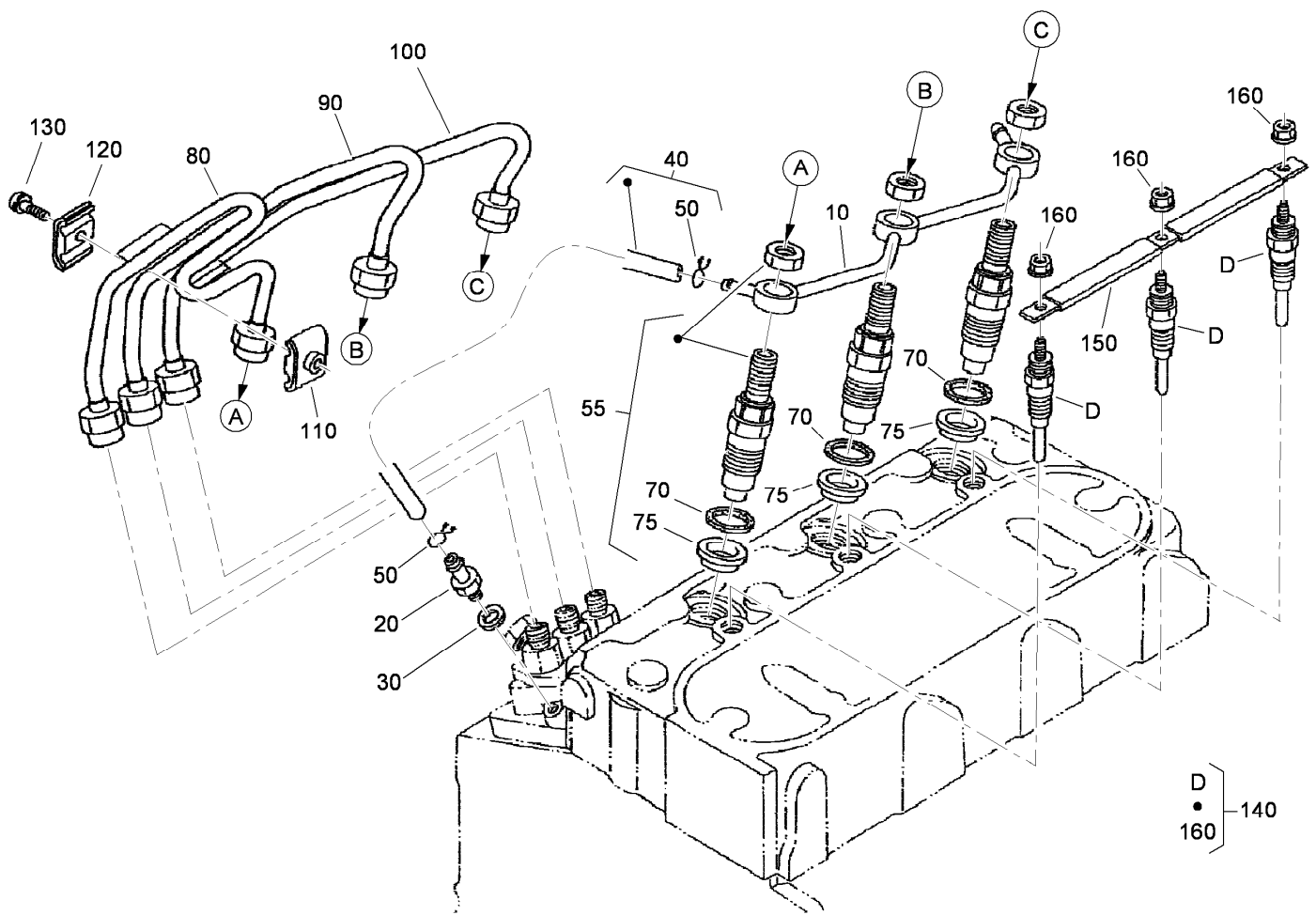
Governor Assembly

<i>Ref.</i>	<i>Part Number</i>	<i>Qty.</i>	<i>Description</i>
10	105-3786	1	Spring-Start
20	98-9681	1	Spring-Governor
30	107-9082	1	Fork Lever ASM
40	107-9084	1	Lever-Fork
50	107-9085	1	Shaft-Lever, Fork
60	107-9086	1	Shaft-Lever, Fork
70	98-9570	1	Bearing-Miniaturize
80	98-9569	1	Cover-Shaft, Fork Lever
90	98-9682	1	Gasket
100	98-9350	2	Bolt
110	98-9567	1	Collar
120	98-9571	1	Bearing-Miniaturize



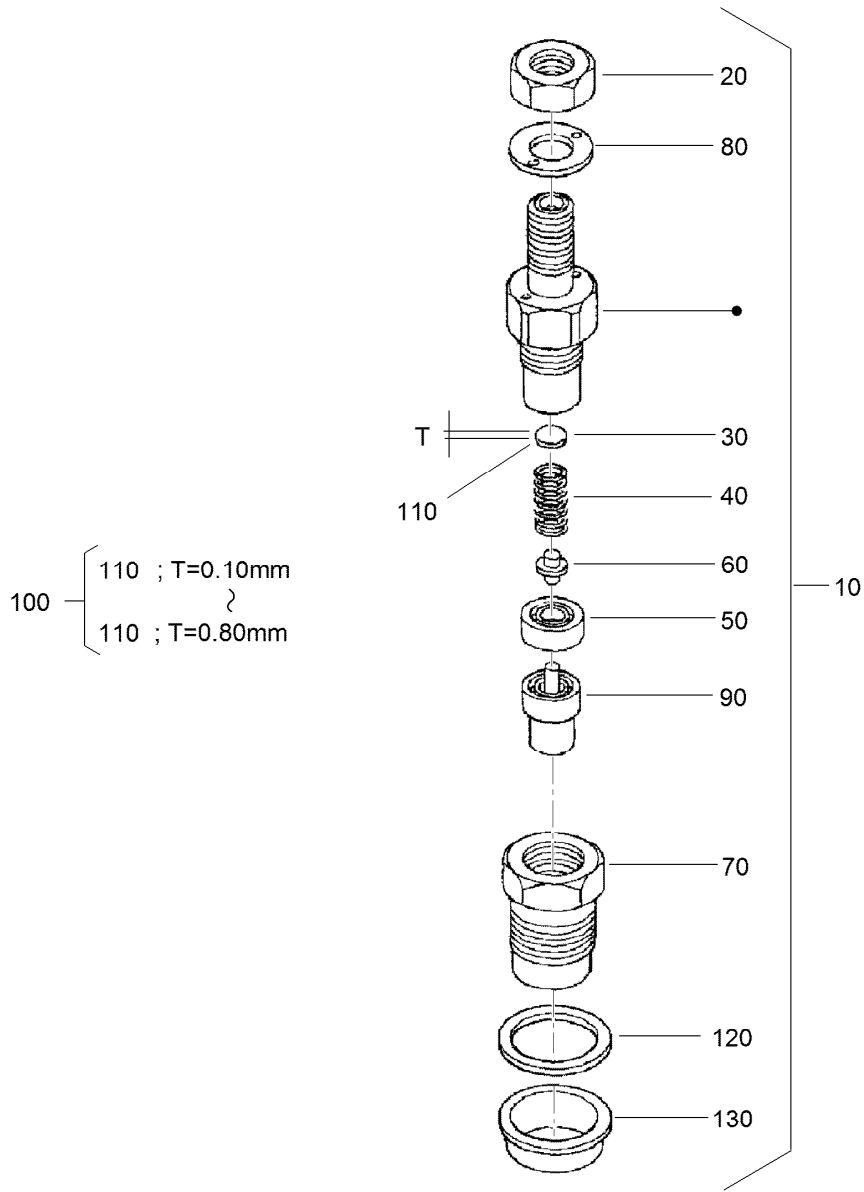
Speed Control Plate Assembly

<i>Ref.</i>	<i>Part Number</i>	<i>Qty.</i>	<i>Description</i>
10	105-3735	1	Control Plate ASM
20	98-9662	1	Lever-Control, Speed
30	98-9572	2	Lever-Control, Speed
40	105-3788	1	O-Ring
50	98-7602	2	Pin-Spring
60	98-9594	2	Washer-Plain
70	98-9589	2	Nut
80	98-9658	1	Governor Lever ASM
90	98-9663	1	Lever-Stop, Engine
100	98-7601	1	Seal-Oil
110	98-9472	1	Spring-Return
120	98-9664	1	Shaft-Lever, Stop
130	98-9637	1	Gasket
140	98-7692	1	Bolt
150	99-8348	1	Bolt
160	98-7654	1	Gasket
170	105-3710	2	Stud
180	98-7572	2	Nut
190	98-7699	2	Washer-Spring



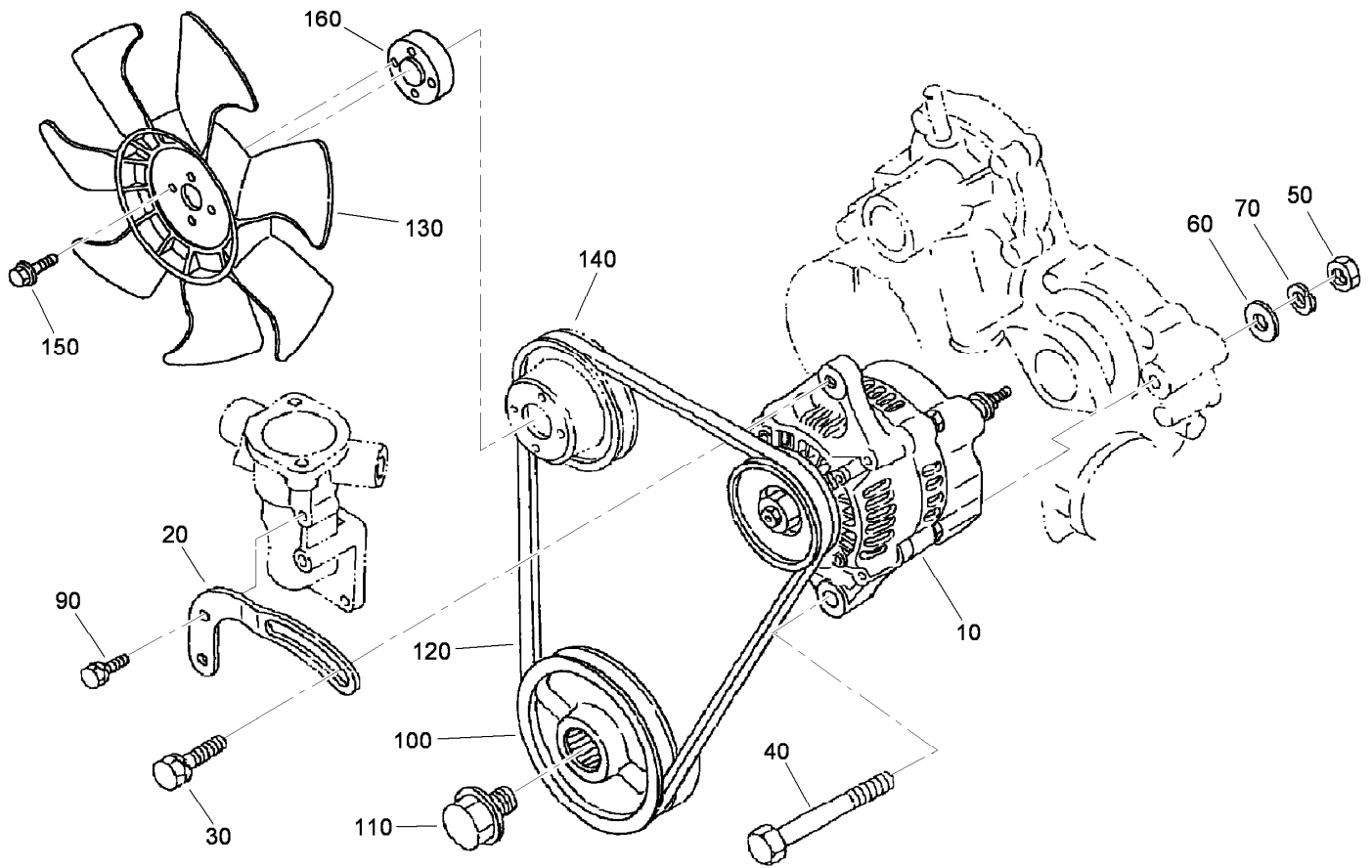
Nozzle Holder and Glow Plug Assembly

Ref.	Part Number	Qty.	Description
10	98-9621	1	Overflow Pipe ASM
20	98-9431	1	Screw-Bleeder, Air
30	98-7654	1	Gasket
40	98-9624	1	Overflow Pipe ASM
50	98-7671	2	Clip-Pipe
55	108-2866	3	Nozzle Holder Kit
70	98-7676	3	Gasket
75	98-7677	3	Seal-Heat
80	98-9622	1	Pipe-Injection
90	98-9654	1	Pipe-Injection
100	98-9655	1	Pipe-Injection
110	98-7682	2	Clamp-Pipe
120	98-7683	2	Clamp-Pipe
130	98-7684	2	Screw (W/Washer)
140	98-9623	3	Plug-Glow
150	98-9631	1	Cord-Plug, Glow
160	99-8377	3	Nut-Flange



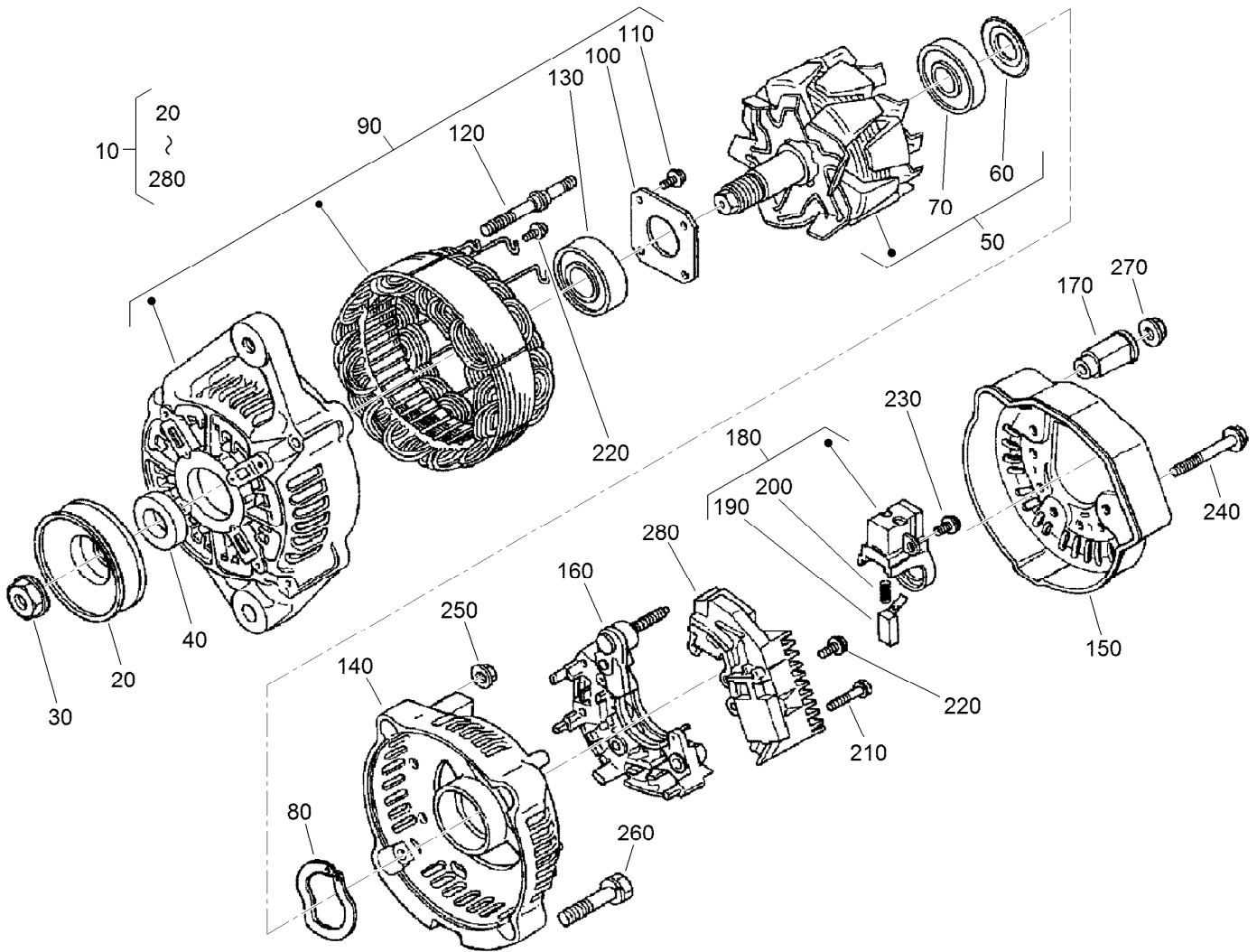
Nozzle Holder Assembly

Ref.	Part Number	Qty.	Description	Ref.	Part Number	Qty.	Description
10	108-2866	3	Nozzle Holder Kit	110	99-8311	3	Washer-Adjust (0.20Mm)
20	99-8301	3	Nut	110	99-8312	3	Washer-Adjust (0.30Mm)
30	99-8302	3	Washer-Adjusting	110	99-8313	3	Washer-Adjust (0.40Mm)
40	99-8303	3	Spring-Nozzle	110	99-8314	3	Washer-Adjust (0.50Mm)
50	99-8304	3	Spacer-Distance	110	99-8315	3	Washer-Adjust (0.52Mm)
60	99-8305	3	Rod-Push	110	99-8316	3	Washer-Adjust (0.54Mm)
70	99-8306	3	Nut-Nozzle	110	99-8317	3	Washer-Adjust (0.56Mm)
80	99-8307	3	Washer-Plain	110	99-8318	3	Washer-Adjust (0.58Mm)
90	107-7826	3	Piece-Nozzle	110	99-8319	3	Washer-Adjust (0.80Mm)
100	99-8309	3	Adjusting Washer ASM	120	98-7676	3	Gasket
110	99-8310	3	Washer-Adjust (0.10Mm)	130	98-7677	3	Seal-Heat



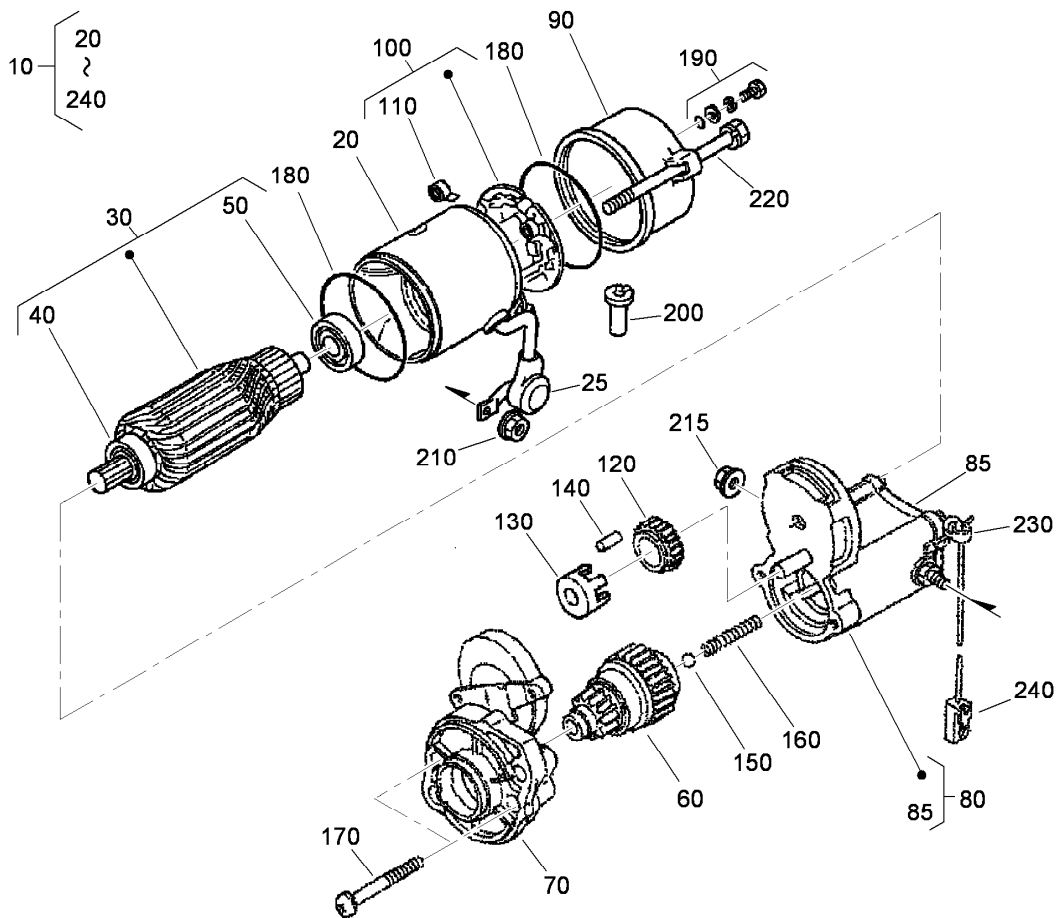
Alternator and Pulley Assembly

<i>Ref.</i>	<i>Part Number</i>	<i>Qty.</i>	<i>Description</i>
10	98-9474	1	Alternator ASM
20	112-7047	1	Stay-Dynamo
30	108-7088	1	Bolt
40	98-9360	1	Bolt
50	98-7737	1	Nut
60	98-9366	1	Washer-Plain
70	98-7738	1	Washer-Spring
90	98-7692	1	Bolt
100	98-9473	1	Pulley-Drive, Fan
110	98-9585	1	Bolt
120	98-9676	1	V-Belt
130	104-4246	1	Fan-Engine
140	98-9584	1	Pulley-Fan
150	33103-020	4	Screw-HHF
160	108-2872	1	Collar-Fan



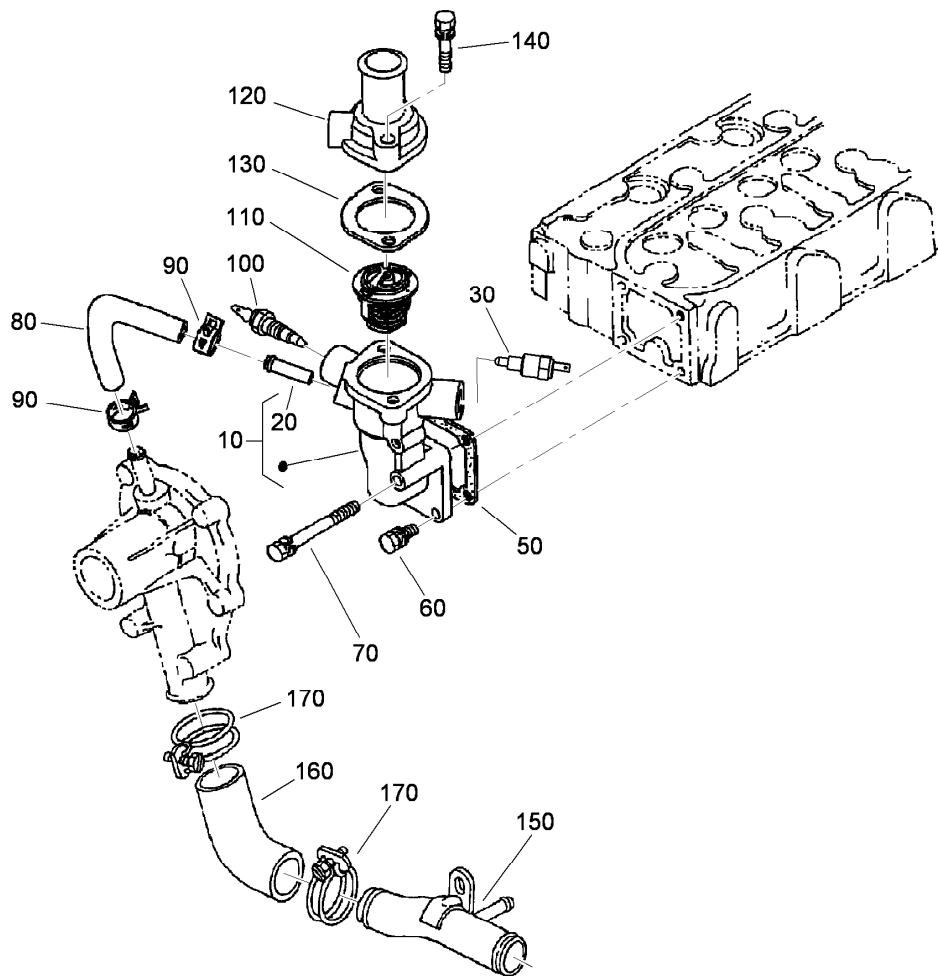
Alternator Components Assembly

<i>Ref.</i>	<i>Part Number</i>	<i>Qty.</i>	<i>Description</i>	<i>Ref.</i>	<i>Part Number</i>	<i>Qty.</i>	<i>Description</i>
10	98-9474	1	Alternator ASM	150	107-0140	1	Cover-End
20	98-9453	1	Pulley-Dynamo	160	98-7721	1	Rectifier ASM
30	98-7708	1	Nut	170	98-7722	1	Bushing-Insulation
40	98-7709	1	Collar	180	107-0141	1	Brush Holder ASM
50	107-0136	1	Rotor ASM	190	98-7724	2	Brush
60	98-7711	1	Cover-Bearing	200	98-7725	2	Spring-Brush
70	107-0138	1	Bearing-Ball	210	98-7726	2	Screw-Head, Round
80	98-7713	1	Washer-Thrust	220	98-7727	6	Screw-Head, Round
90	107-0139	1	Drive End Frame ASM	230	98-7728	1	Screw-Head, Round
100	98-7715	1	Plate-Retainer	240	98-7729	3	Bolt
110	98-7716	4	Screw-Head, Round	250	98-7730	2	Nut
120	98-7717	2	Bolt-Through	260	98-7731	2	Bolt
130	107-0137	1	Bearing-Ball	270	98-7732	1	Nut
140	107-9087	1	Frame-End	280	110-3799	1	Regulator ASM



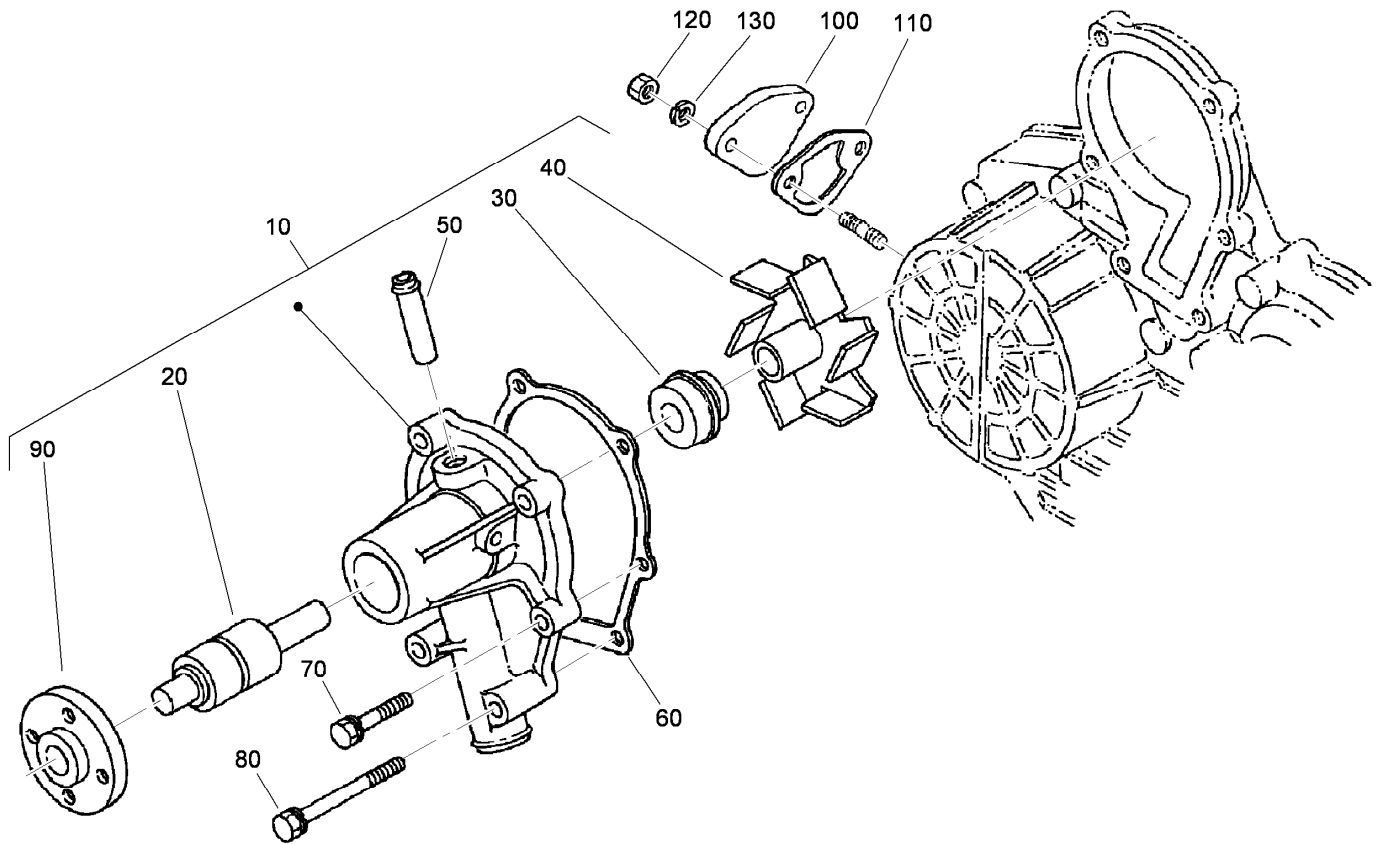
Starter (Component Part) Assembly No. 98-9705

<i>Ref.</i>	<i>Part Number</i>	<i>Qty.</i>	<i>Description</i>	<i>Ref.</i>	<i>Part Number</i>	<i>Qty.</i>	<i>Description</i>
10	98-9705	1	Starter ASM	130	98-7752	1	Retainer
20	104-8608	1	Yoke ASM	140	98-7753	5	Roller
25	99-8375	1	Cover	150	98-7755	1	Ball
30	98-7742	1	Armature ASM	160	98-7754	1	Spring
40	98-7744	1	Bearing	170	98-7756	2	Bolt
50	98-7743	1	Bearing	180	98-7757	2	O-Ring
60	99-8373	1	Clutch-Running, Over	190	98-7758	2	Bolt ASM
70	99-8374	1	Frame-End, Drive	200	98-7759	1	Pipe-Drain
80	105-3746	1	Magnetic Switch ASM	210	99-8371	1	Nut-Hex
85	105-2886	1	Cover ASM	215	99-8376	1	Nut-Hex
90	98-7748	1	Frame-End	220	100-9240	2	Bolt
100	98-7749	1	Brush Holder ASM	230	98-9712	1	Band-Cover
110	98-7750	4	Spring-Brush	240	98-9711	1	Cord-Solenoid, Stop
120	98-7751	1	Gear				



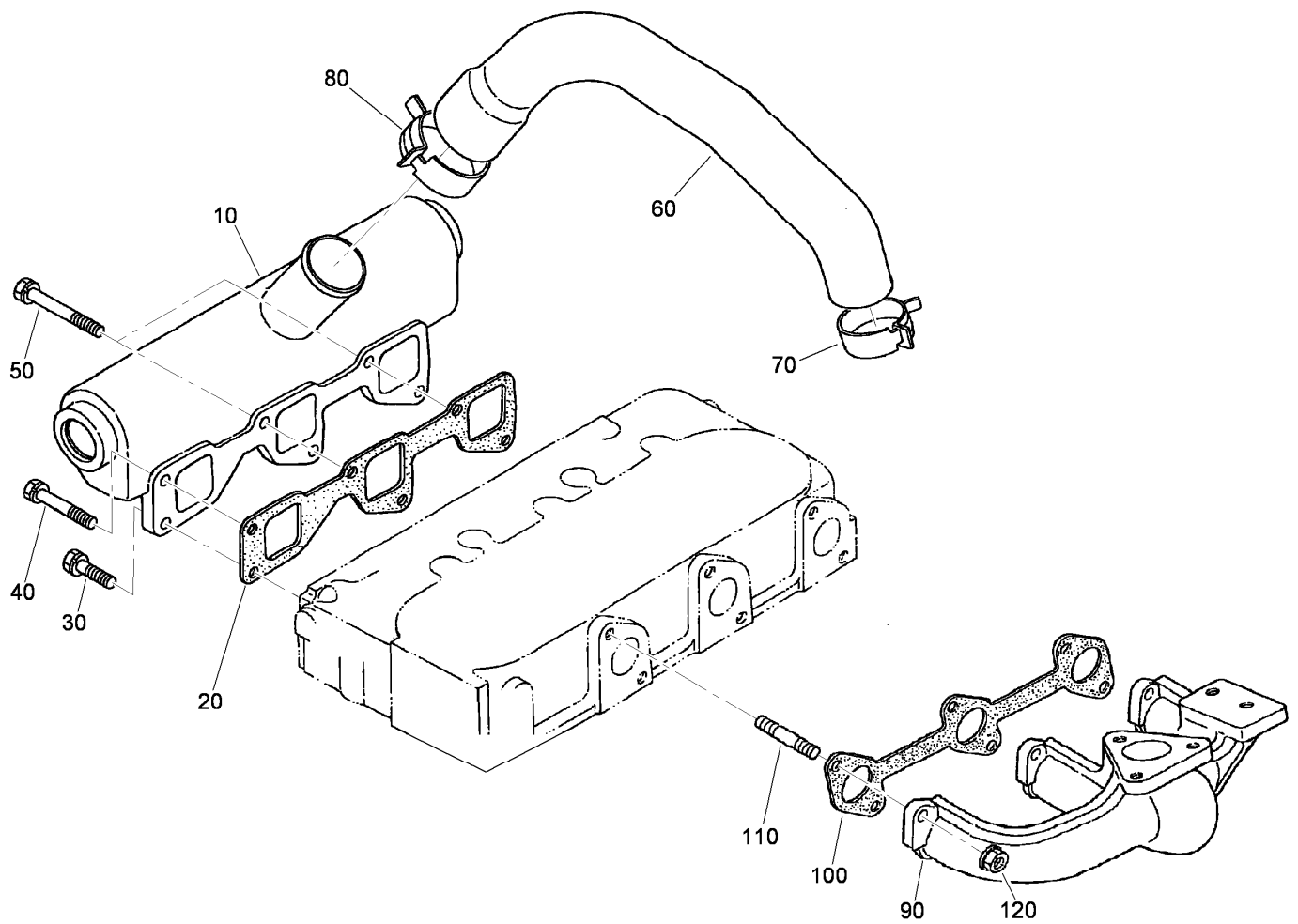
Water Flange and Thermostat Assembly

<i>Ref.</i>	<i>Part Number</i>	<i>Qty.</i>	<i>Description</i>
10	98-9713	1	Water Flange ASM
20	98-9580	1	Pipe-Return, Water
30	98-9719	1	Thermoswitch
50	98-9638	1	Gasket-Flange, Water
60	98-7692	3	Bolt
70	98-9356	1	Bolt
80	98-9578	1	Pipe-Return, Water
90	98-9579	2	Band-Pipe
100	112-0183	1	Switch-Thermometer
110	98-7778	1	Thermostat ASM
120	98-9471	1	Cover-Thermostat
130	105-3748	1	Gasket-Thermostat
140	98-7777	2	Bolt
150	99-8379	1	Pipe-Water
160	107-9091	1	Pipe-Water
170	98-9717	2	Clamp



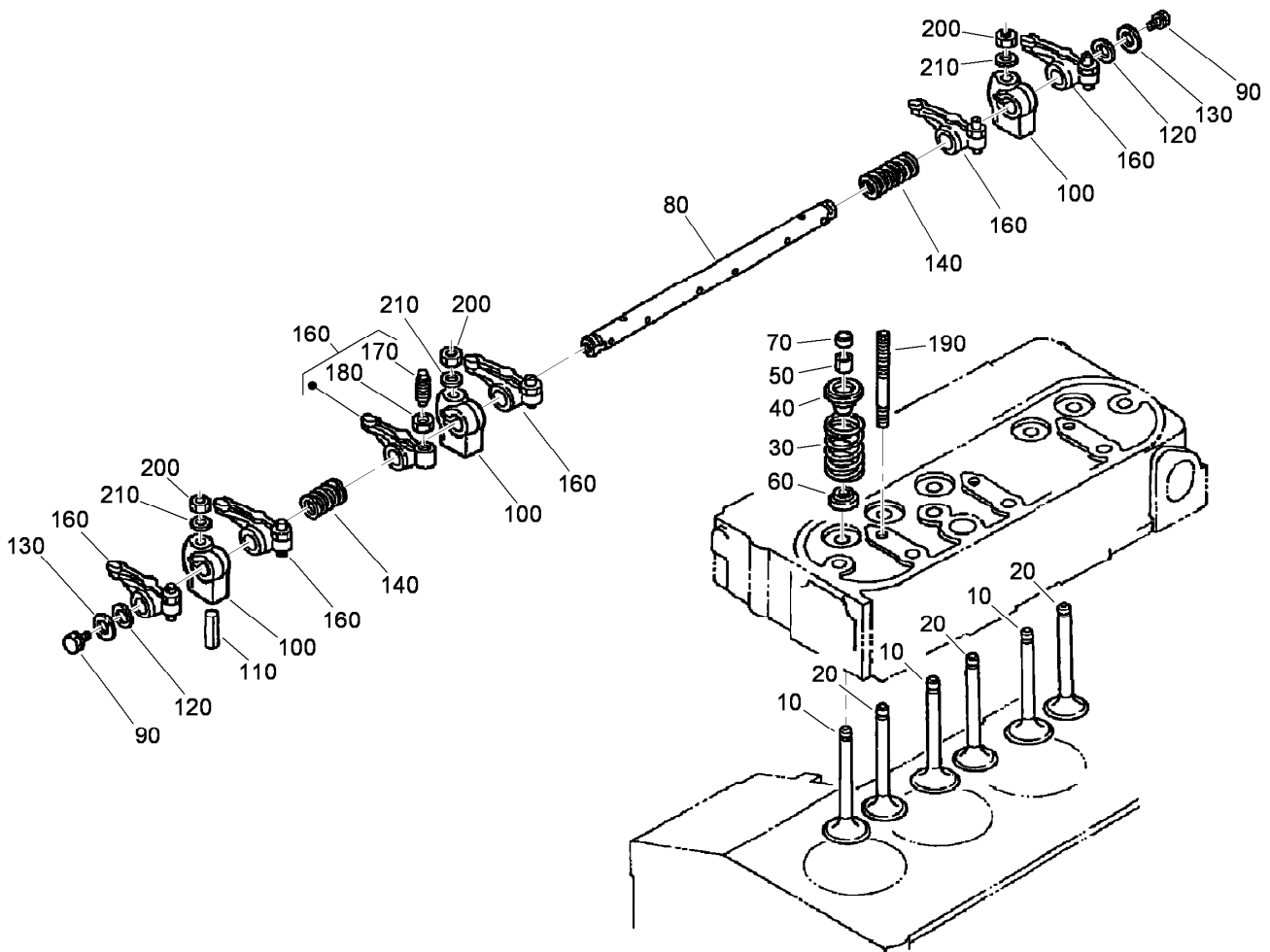
Water Pump Assembly

<i>Ref.</i>	<i>Part Number</i>	<i>Qty.</i>	<i>Description</i>
10	107-9089	1	Water Pump ASM
20	99-3517	1	Bearing-Pump, Water
30	105-3750	1	Mechanical Seal ASM
40	112-7017	1	Impeller-Pump, Water
50	100-1932	1	Pipe-Return, Water
60	99-3454	1	Gasket-Pump, Water
70	98-9353	4	Bolt
80	107-9090	2	Bolt
90	99-3516	1	Flange-Pump, Water
100	99-3514	1	Cover
110	98-9636	1	Gasket-Pump, Fuel
120	98-7572	2	Nut
130	98-7699	2	Washer-Spring



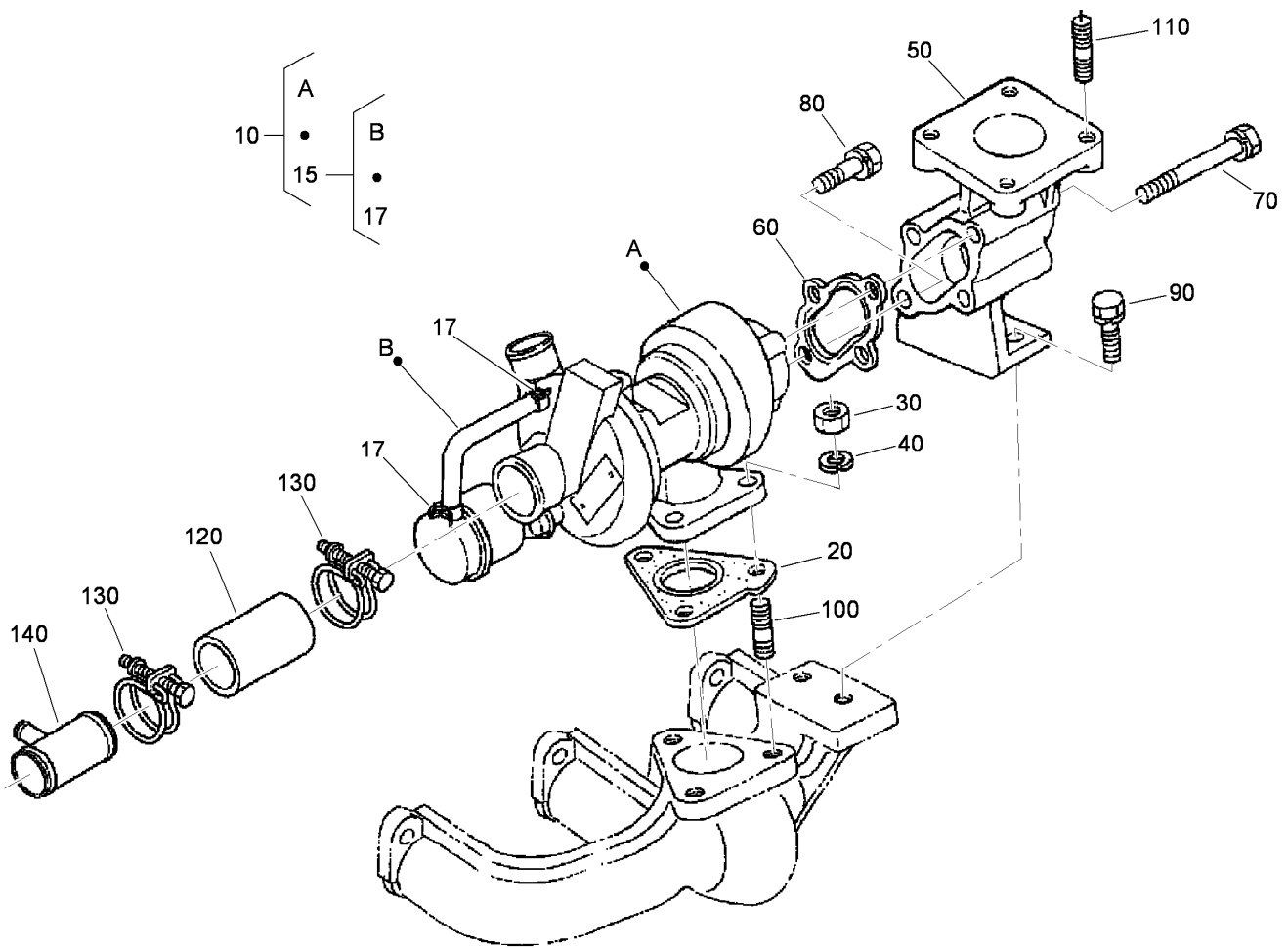
Inlet and Exhaust Manifold Assembly

<i>Ref.</i>	<i>Part Number</i>	<i>Qty.</i>	<i>Description</i>
10	99-8321	1	Manifold-Inlet
20	99-8329	1	Gasket-Manifold, Intake
30	98-7568	3	Bolt
40	107-9073	1	Bolt
50	99-8320	2	Bolt
60	115-3047	1	Hose-Inlet
70	115-3048	1	Clamp-Hose
80	115-3049	1	Clamp-Hose
90	108-1411	1	Manifold-Exhaust
100	99-8327	1	Gasket-Manifold, Exhaust
110	98-9588	6	Stud
120	98-9665	6	Nut



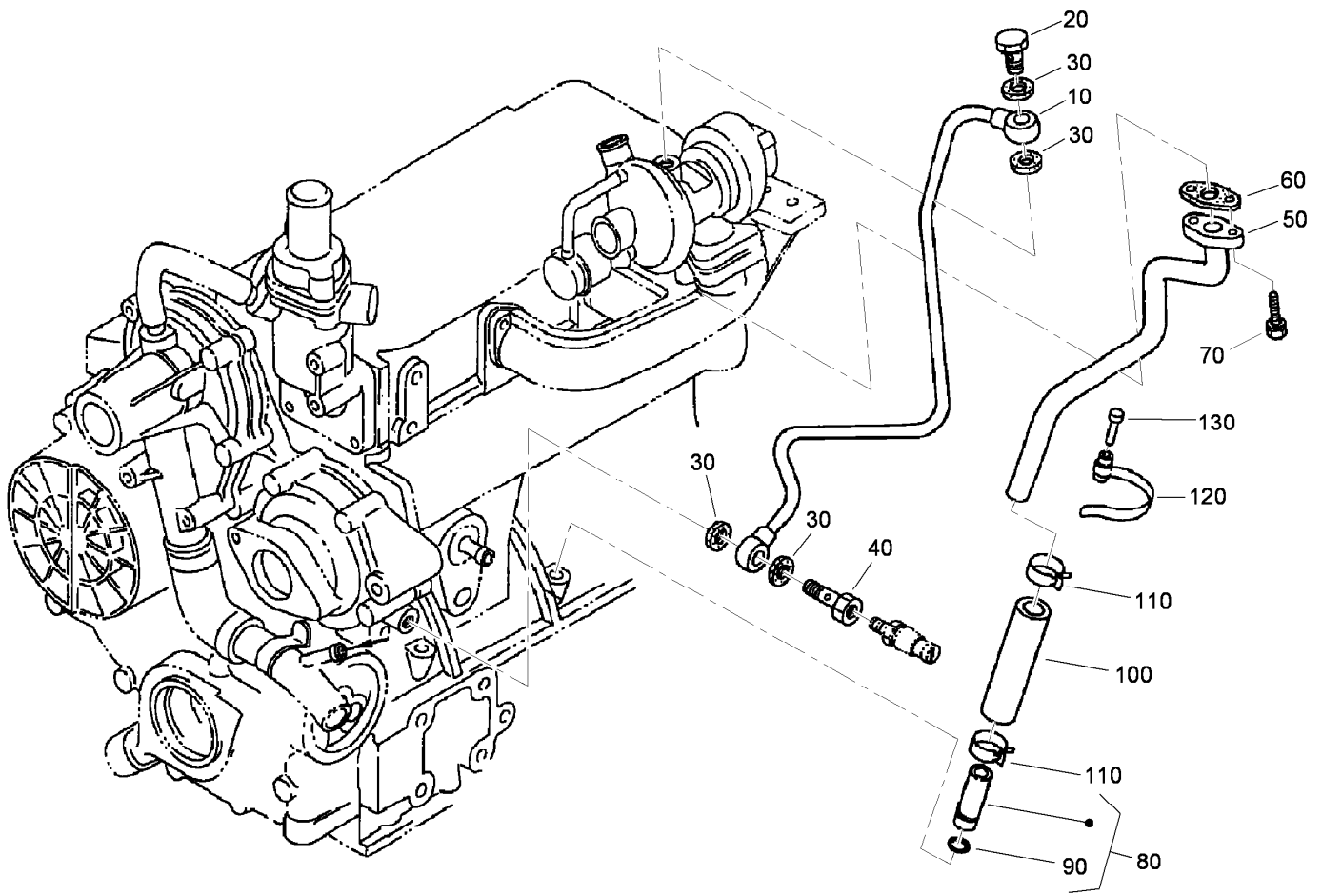
Valve and Rocker Arm Assembly

<i>Ref.</i>	<i>Part Number</i>	<i>Qty.</i>	<i>Description</i>
10	112-7018	3	Valve-Inlet
20	112-7019	3	Valve-Exhaust
30	98-9626	6	Spring-Valve
40	107-9092	6	Retainer-Spring
50	98-9390	6	Collet-Spring, Valve
60	99-8385	6	Seal-Stem, Valve
70	98-9497	6	Cap-Valve
80	105-3790	1	R-Arm Shaft ASM
90	100-9265	2	Bolt
100	98-9505	3	Bracket-Arm, Rocker
110	105-3758	1	Pin-Spring
120	98-9507	2	Washer-Shaft, R-Arm
130	110-3832	2	Washer-Plain
140	98-9504	2	Spring-Arm, Rocker
160	112-7020	6	Rocker Arm ASM
170	98-9502	6	Screw-Adjusting
180	98-9503	6	Nut
190	98-9506	3	Stud
200	98-9393	3	Nut
210	98-9385	3	Washer-Flat



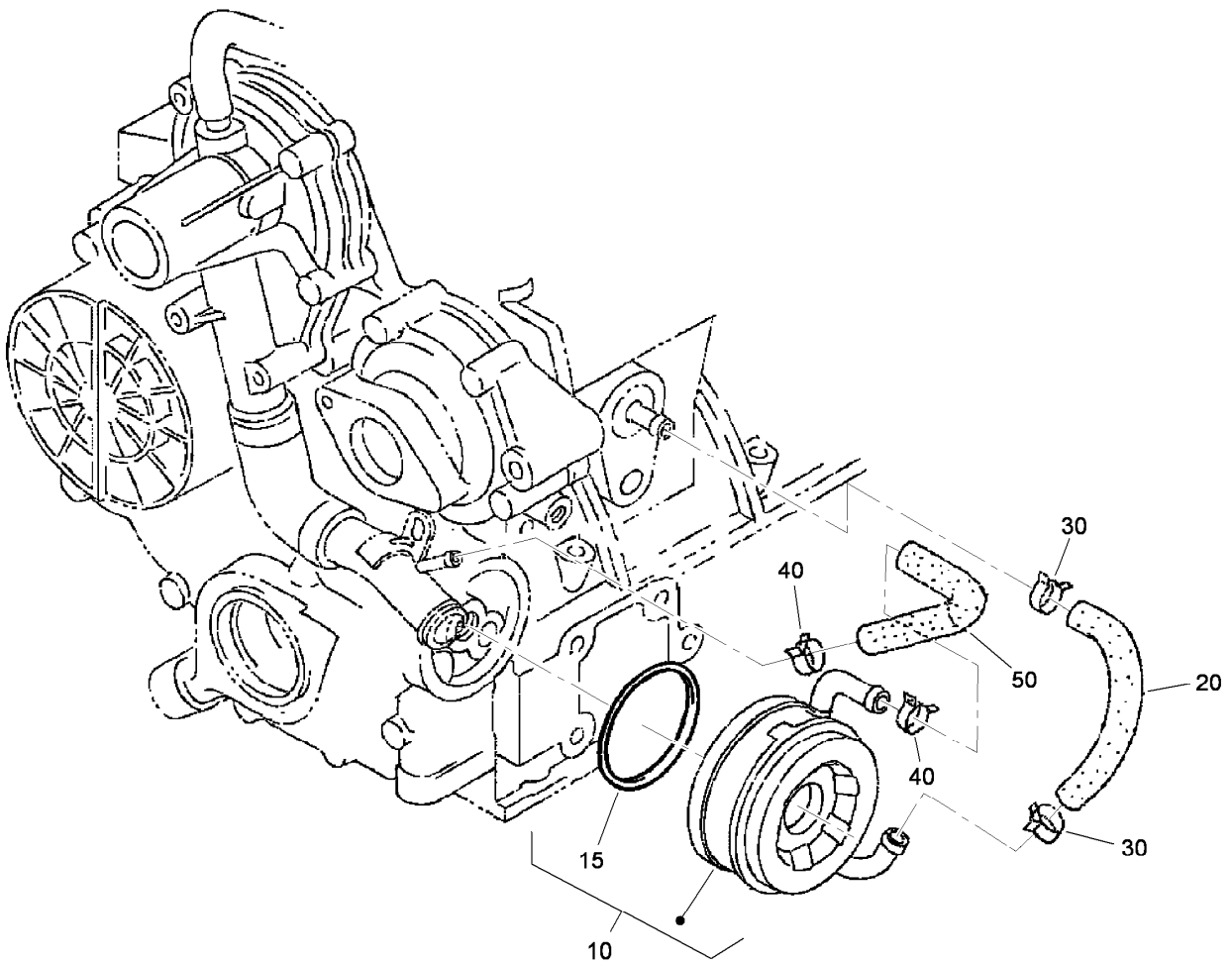
Turbo Charger Assembly

<i>Ref.</i>	<i>Part Number</i>	<i>Qty.</i>	<i>Description</i>
10	108-1412	1	Turbo Charger ASM
15	108-1413	1	Hose ASM
17	108-1414	2	Clamp-Hose
20	105-3767	1	Gasket
30	98-7534	3	Nut
40	105-2893	3	Washer-Spring
50	99-8335	1	Flange-Muffler
60	105-3768	1	Gasket
70	115-4100	3	Bolt
80	105-2895	1	Bolt
90	98-7610	2	Bolt
100	99-8342	3	Stud
110	98-7769	4	Stud
120	115-4101	1	Tube-Inlet, Turbo
130	115-4102	2	Band
140	115-4103	1	Pipe-Inlet, Breather



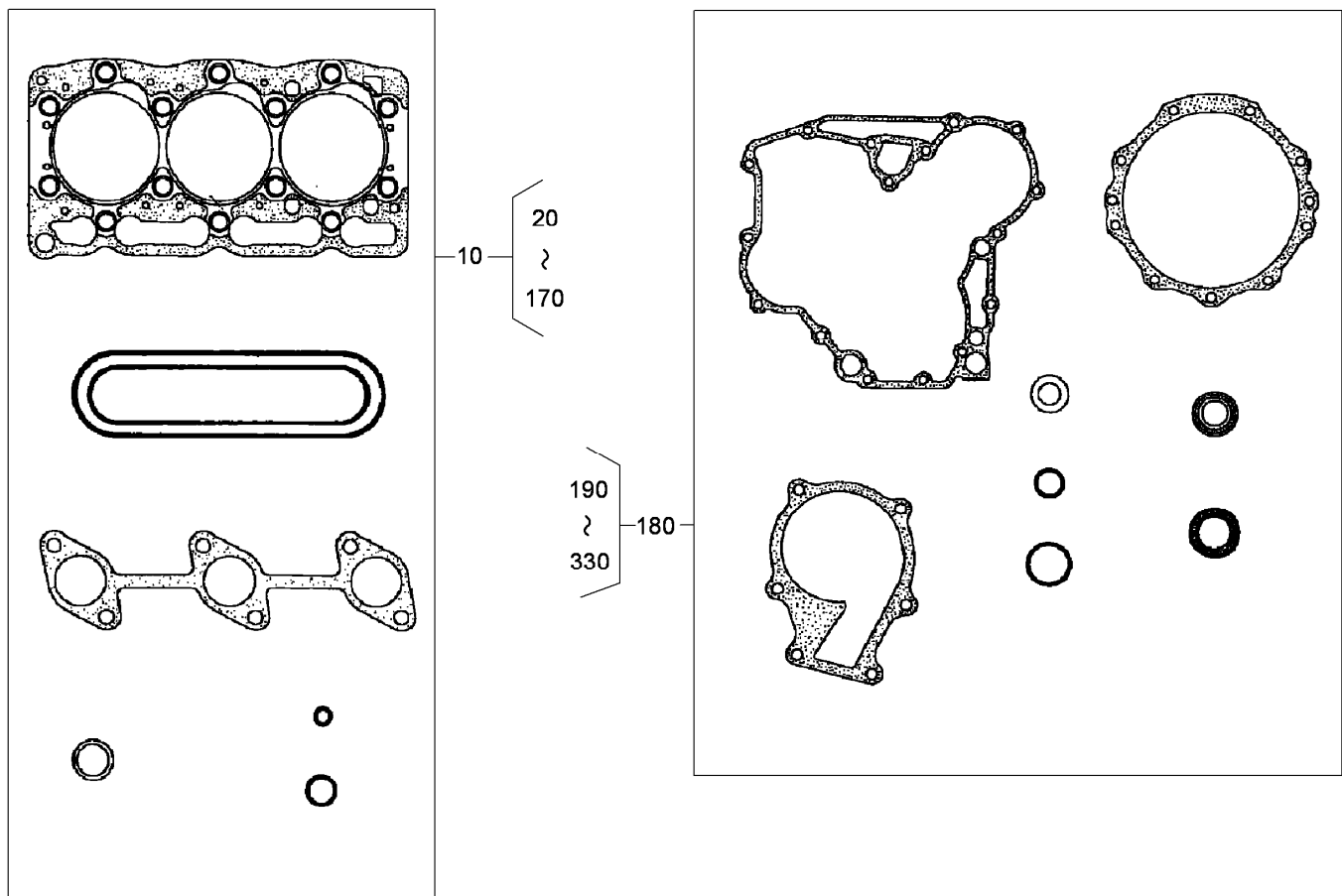
Turbo Charger Oil Pipe Assembly

<i>Ref.</i>	<i>Part Number</i>	<i>Qty.</i>	<i>Description</i>
10	98-9419	1	Oil Pipe ASM
20	98-9418	1	Bolt-Joint, Eye
30	99-8346	4	Gasket
40	98-9417	1	Bolt-Joint, Eye
50	98-9461	1	Pipe Line ASM
60	108-4422	1	Gasket
70	98-7605	2	Bolt
80	99-8383	1	Oil Pipe ASM
90	98-9722	1	O-Ring
100	98-9721	1	Pipe-Oil
110	98-9714	2	Clamp-Hose
120	98-9601	1	Clamp-Pipe
130	98-9591	1	Pin-Band



Oil Cooler Assembly

<i>Ref.</i>	<i>Part Number</i>	<i>Qty.</i>	<i>Description</i>
10	104-5158	1	Oil Cooler ASM
15	112-7030	1	O-Ring
20	98-9724	1	Pipe-Cooler, Oil
30	98-9579	2	Band-Pipe
40	98-9579	2	Band-Pipe
50	98-9578	1	Pipe-Return, Water

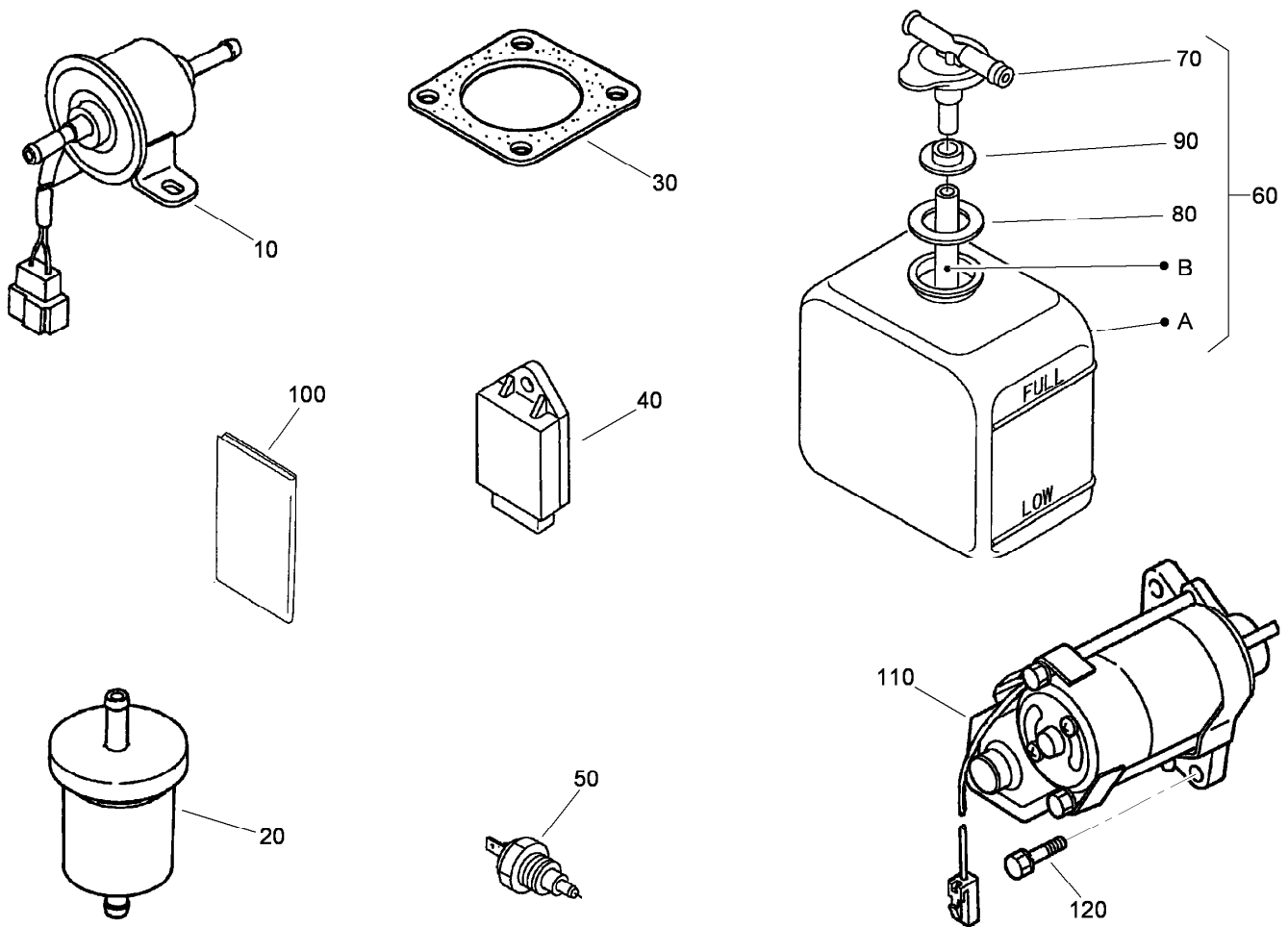


Gasket Kit

Ref.	Part Number	Qty.	Description
10	108-1415	1	Upper Gasket Kit
20	108-6573	1	Gasket-Head, Cylinder ●
40	99-8329	1	Gasket-Manifold, Intake ●
50	105-3767	1	Gasket ●
60	105-3768	1	Gasket ●
70	99-8327	1	Gasket-Manifold, Exhaust ●
80	99-8385	6	Seal-Stem, Valve ●
90	98-9615	1	Gasket-Cover, Head ●
100	98-9454	3	Gasket ●
110	99-3446	1	O-Ring ●
120	99-8346	4	Gasket ●
130	108-4422	1	Gasket ●
140	98-9722	1	O-Ring ●
150	98-9638	1	Gasket-Flange, Water ●
160	105-3748	1	Gasket-Thermostat ●
170	99-8343	1	Gasket-Muffler ●
180	112-7041	1	Lower Gasket Kit

Ref.	Part Number	Qty.	Description
190	98-9632	1	Gasket-Pump, Water ●
200	98-9633	1	Gasket-Case, Gear ●
210	105-3781	2	O-Ring ●
220	105-3777	2	O-Ring ●
230	98-9634	1	Gasket-Case, Bearing ●
240	98-9635	1	Gasket-Cover, Bearing Case ●
250	105-3783	1	O-Ring ●
260	105-3776	1	O-Ring ●
270	98-9729	1	O-Ring ●
280	98-9636	1	Gasket-Pump, Fuel ●
290	98-9682	1	Gasket ●
300	105-3788	1	O-Ring ●
310	98-7601	1	Seal-Oil ●
320	98-9637	1	Gasket ●
330	98-9683	1	Gasket-Cover, Solenoid ●

● Not illustrated



Electric Fuel Pump, Fuel Filter, Starter and Overflow Bottle Assemblies

<i>Ref.</i>	<i>Part Number</i>	<i>Qty.</i>	<i>Description</i>
10	107-0122	1	Pump-Fuel, Electric
20	98-7612	1	Filter-Fuel
30	99-8343	1	Gasket-Muffler
40	98-7611	1	Controller-Glow
50	98-9719	1	Thermoswitch
60	108-0638	1	Bottle-Overflow
70	105-3754	1	Cap
80	105-3755	1	Gasket
90	105-3756	1	Plate
100	115-4104	1	Operator Manual
110	98-9705	1	Starter ASM
120	98-7697	2	Bolt

Attachments and Accessories

For 30381 Groundsmaster 7210 Traction Unit

Product Name	Model/Part
Tooth Rake	08751
Finish Grader	08754
Drag Mat Carrier System	08756
Steel Drag Mat	08757
Coco Drag Mat	08758
Tire-Lug (24 X 12 - 12)	103-6771
Bahiagrass Baffle Kit	105-7269
Blade-Belt Kit, 62in Guardian	105-7270
Blade-Belt Kit, 72in Guardian Only	105-7271
Blade-Belt Kit, 72in Side Discharge Deck	105-7272
Striping Kit	105-7273
Yellow Hydraulic Cap	107-1576
Green Diesel Cap	107-2172
Premium Engine Oil, 15w40 (55 Gallon Drum)	108-1181
Premium Engine Oil, 15w40 (5 Gallon Pail)	108-1182
Premium Transmission/Hydraulic Tractor Fluid (55 Gallon Drum)	108-1183
Premium Transmission/Hydraulic Tractor Fluid (5 Gallon Pail)	108-1184
Leaf Mulching Kit	108-5273
Wheel and Tire ASM (Semi Pneumatic)	110-6406
Spark Arrestor Kit	112-1688
Bio-Diesel Fuel Filter Kit	112-9140
Slow Moving Vehicle Kit	114-4050
5in Air Cleaner Safety Element	114-4057
Weight Mount Bracket Kit	114-4090
42-pound Weight, For Kit 114-4090	114-4096
60-Amp Alternator Kit, Kubota 05 Series-Powered Traction Unit	117-5540
Overflow Tank Kit	117-5570
Fender Kit	117-9170
Roll-Over Protection Kit	117-9179
CE Kit	117-9248
CE Kit, Grass Collection System	117-9249
Brake Service Kit	120-0015
MVP (Filter) Kit	30037
400-hour Filter Maintenance Kit	30052
72in Guardian Recycler Completion Kit	30304
62in Guardian Recycler Completion Kit	30306
72in Guardian Fine Recycler Completion Kit	30346
Recycler Kit, 72in Side Discharge Deck	30347
Recycler Kit, 60in Side Discharge Deck	30348
Hardtop Sunshade	30359
Polar Trac Kit	30370
Polar Trac Cab	30371
Road Light Kit	30374
Z-Stand Kit	30375
Rear Quick Attach System	30377
V-Plow Mounting Kit	30378

Attachments and Accessories (continued)

Auxiliary Hydraulic Power Kit	30380
Auxiliary Power Unit.....	30382
CE Kit	30392
Debris Blower	30393
Grass Collection System	30460
62in Rear Discharge Completion Kit	30463
72in Rear Discharge Completion Kit	30466
48in V-Plow.....	30750

Notes:

Notes:



Count on it.