



MODEL NO. 03530 – 60275 thru
80001 & UP
MODEL NO. 03531 – 60141 thru
80001 & UP

OPERATOR'S
MANUAL

REELMASTER® 5300-D
2 & 4 WHEEL DRIVE TRACTION UNITS

To understand this product, and for safety and optimum performance, read this manual before starting the engine. Pay special attention to SAFETY INSTRUCTIONS highlighted by this symbol.



It means CAUTION, WARNING or DANGER – personal safety instruction. Failure to comply with the instruction may result in personal injury.



The REELMASTER 5300-D conforms to the B71.4-1990 specifications of the American National Standards Institute's safety standards for riding mowers when 85 lbs. of ballast is added to rear wheels and a rear weight kit, part no. 75-6690 is installed.

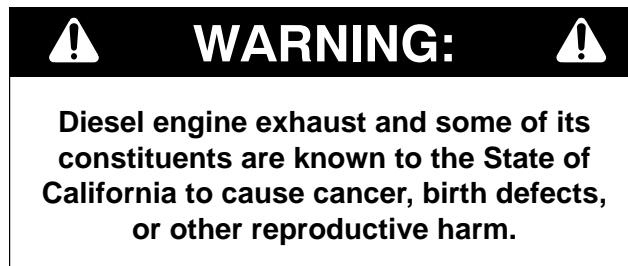
FOREWORD

This operator's manual has instructions on safety, proper set-up and operation, adjustments and maintenance. Therefore, anyone involved with the product, including the operator, should read and understand this manual.

Major sections are:

- Safety Instructions
- Specifications
- Set-up Instructions
- Before Operating
- Know Your Controls
- Operating Instructions
- Maintenance
- Schematics

This manual emphasizes safety, mechanical and general product information. **DANGER**, **WARNING** and **CAUTION** identify safety messages. Whenever the triangular safety alert symbol appears, understand the safety message that follows. For complete safety instructions, read pages 4- 7. **IMPORTANT** highlights special mechanical information and **NOTE** emphasizes general product information worthy of special attention.



SERVICE AND REPAIR LITERATURE

The Reelmaster 5300 Service Manual contains information for troubleshooting, testing and repair of the hydraulic system, brakes and cutting units for the Reelmaster 5300. To order this publication, contact your local authorized Toro Distributor. Ask for Form 94-819-SL, Reelmaster 5300-D Service Manual.

OPTIONAL SPARK ARRESTER

In some places a spark arrester muffler must be used because of local, state or federal regulations. The spark arrester available from your local Toro Distributor is approved by the United States Department of Agriculture and the United States Forest Service.

When the mower is used or operated on any California forest, brush or grass covered land, a properly operating spark arrester must be attached to the muffler. The operator is violating state law, Section 442 Public Resources Code if a spark arrester is not used.

Whenever you have questions or need service, contact your local authorized Toro Distributor. In addition to having a complete line of accessories and professional turf care service technicians, the distributor has a complete line of genuine TORO replacement parts to keep your machine operating properly. Keep your TORO all TORO. Buy genuine TORO parts and accessories.

TABLE OF CONTENTS

	Page		Page
SAFETY INSTRUCTIONS	4	Logic Grid	30
Before Operating	4	LUBRICATION	31
While Operating	4	Greasing Bearings And Bushings	31
Maintenance	5	SERVICE INTERVAL CHART	32
SAFETY INSTRUCTIONS & DECALS	6	DAILY MAINTENANCE CHART & CHECKLIST ..	33
SPECIFICATIONS	8	AIR CLEANER MAINTENANCE	34
LOOSE PARTS CHART	9	General Maintenance Practices	34
SET-UP INSTRUCTIONS	10	Servicing Precleaner Bowl	34
Install Front Wheels	10	Servicing Dust Cup And Baffle	34
Install Steering Wheel	10	Servicing Air Cleaner Filter	34
Install Seat	10	Inspecting Filter Element	35
Install Seat Belt to Seat (Model 03531 only) ..	10	ENGINE MAINTENANCE	35
Install Roll Bar (Model 03531 only)	10	Engine Oil And Filter	35
Connect Battery	11	Fuel System	35
Check Tire Pressure	11	Bleeding Air From Injectors	36
Install Cutting Units	11	Engine Cooling System	37
Install Reel Speed Sensor	13	Servicing Engine Belts	37
RMCONFIG Software Customizing	14	Adjusting Throttle	38
Rear Ballast	14	HYDRAULIC MAINTENANCE	38
BEFORE OPERATING	15	Changing Hydraulic Fluid	38
Check Engine Oil	15	Replacing Hydraulic Filter	38
Check Cooling System	15	Checking Hydraulic Lines And Hoses	39
Fill Fuel Tank	15	Hydraulic System Test Ports	39
Check Transmission Fluid	16	Adjusting Traction Drive For Neutral	39
Check Hydraulic Fluid	16	Adjusting Cutting Unit Lift Rate	40
Check Rear Axle Lubricant (Model 03531 only)	17	Checking and Adjusting Traction Linkage	40
Check Reel To Bedknife Contact	18	BRAKE MAINTENANCE	41
Check Torque Of Wheel Nuts	18	Adjusting Service Brakes	41
KNOW YOUR CONTROLS	18	AXLE MAINTENANCE	42
OPERATING INSTRUCTIONS	20	Changing Transmission Fluid	42
Starting And Stopping	20	Replacing Transmission Filter	42
Bleeding Fuel System	20	Changing Rear Axle Lubricant	42
Automatic Clip Control	21	Rear Wheel Toe-in	42
Selecting Clip Rate (Reel Speed)	21	ELECTRICAL MAINTENANCE	44
Clip Rate Selection Chart	22	Battery Care	44
Reel Control Light	22	Fuses	44
Adjusting Lift Arm Down Pressure	23	Optional Lighting	44
Towing Traction Unit	23	CUTTING UNIT MAINTENANCE	45
Diagnostic Light	24	Backlapping	45
Diagnostic ACE Display	24	ELECTRICAL SCHEMATICS	46
Checking Interlock Switches	24	HYDRAULIC SCHEMATIC	48
Leak Detector Operation	26	PREPARATION FOR SEASONAL STORAGE ...	49
Checking Leak Detector Operation	26	MAINTENANCE SCHEDULE	50
Hydraulic Valve Solenoid Functions	29	IDENTIFICATION & ORDERING	51
H.O.C. Selection Potentiometer Replacement	29	Model And Serial Number	51
Operating Characteristics	29	TORO PROMISE	Back Cover



SAFETY INSTRUCTIONS

The REELMASTER 5300-D was tested and certified by TORO for compliance with the B71.4-1990 specifications of the American National Standards Institute. Although hazard control and accident prevention partially are dependent upon the design and configuration of the machine, these factors are also dependent upon the awareness, concern, and proper training of the personnel involved in the operation, transport, maintenance, and storage of the machine. Improper use or maintenance of the machine can result in injury or death. To reduce the potential for injury or death, comply with the following safety instructions.

BEFORE OPERATING

1. Read and understand the contents of this manual before starting and operating the machine. Become familiar with the controls and know how to stop the machine and engine quickly. A free replacement manual is available by sending the complete model and serial number to:

The Toro Company
8111 Lyndale Avenue South
Bloomington, Minnesota 55420–1196.

2. Never allow children to operate the machine. Do not allow adults to operate machine without proper instruction. Only trained operators who have read this manual should operate this machine.

3. Never operate the machine when under the influence of drugs or alcohol.

4. Keep all shields, safety devices and decals in place. If a shield, safety device or decal is defective, illegible or damaged, repair or replace it before operating the machine. Also tighten any loose nuts, bolts or screws to ensure machine is in safe operating condition.

5. Always wear substantial shoes. Do not operate machine while wearing sandals, tennis shoes, sneakers or when barefoot. Do not wear loose fitting clothing that could get caught in moving parts and possibly cause personal injury. Wearing safety glasses, safety shoes, long pants and a helmet is advisable and required by some local ordinances and insurance regulations.

6. Assure interlock switches are adjusted correctly so engine cannot be started unless traction pedal is in NEUTRAL and cutting units are DISENGAGED.

7. Remove all debris or other objects that might be picked up and thrown by the reels or fast moving components from other attached implements. Keep all bystanders away from operating area.

8. Since diesel fuel is highly flammable, handle it carefully:

A. Use an approved fuel container.

B. Do not remove fuel tank cap while engine is hot or running.

C. Do not smoke while handling fuel.

D. Fill fuel tank outdoors and only to within an inch of the top of the tank, not the filler neck. Do not overfill.

E. Wipe up any spilled fuel.

WHILE OPERATING

9. Sit on the seat when starting and operating the machine.

10. Before starting the engine:

A. Engage the parking brake.

B. Make sure traction pedal is in NEUTRAL and the ENABLE / DISABLE switch is in DISABLE.

C. After engine is started, release parking brake and keep foot off traction pedal. Machine must not move. If movement is evident, the neutral return mechanism is adjusted incorrectly; therefore, shut engine off and adjust until machine does not move when traction pedal is released.

11. Seating capacity is one person. Therefore, never carry passengers.

12. Do not run engine in a confined area without adequate ventilation. Exhaust fumes are hazardous and could possibly be deadly.

13. Check interlock switches daily for proper operation. If a switch fails, replace it before operating the machine. The interlock system is for your protection, so do not bypass it. Replace all interlock switches every two years.

14. Using the machine demands attention and to prevent loss of control:

A. Operate only in daylight or when there is good artificial light.

B. Drive slowly

C. Watch for holes or other hidden hazards.

D. Look behind machine before backing up.

E. Do not drive close to a sand trap, ditch, creek or other hazard.

F. Reduce speed when making sharp turns and turning on a hillside.

G. Avoid sudden stops and starts.

15. Traverse slopes carefully. Do not start or stop suddenly when traveling uphill or downhill.

16. Operator must be skilled and trained in how to drive on hillsides. Failure to use caution on slopes or hills may cause loss of control and vehicle to tip or roll possibly resulting in personal injury or death. On 4 wheel drive model, always use the seat belt and ROPS together.

17. If engine stalls or loses power and cannot make it to the top of a slope, do not turn machine around. Always back slowly straight down the slope.



SAFETY INSTRUCTIONS

18. DON'T TAKE AN INJURY RISK! When a person or pet appears unexpectedly in or near the mowing area, **STOP MOWING**. Careless operation, combined with terrain angles, ricochets, or improperly positioned guards can lead to thrown object injuries. Do not resume mowing until area is cleared.

19. Do not touch engine, muffler or exhaust pipe while engine is running or soon after it is stopped. These areas could be hot enough to cause burns.

20. If cutting unit strikes a solid object or vibrates abnormally, stop immediately, turn engine off, set parking brake and wait for all motion to stop. Inspect for damage. If reel or bedknife is damaged, repair or replace it before operating. Do not attempt to free blocked cutting unit by reversing reel direction. Damage to reel may result.

21. Before getting off the seat:

- A. Move traction pedal to neutral.
- B. Set parking brake.
- C. Disengage cutting units and wait for reels to stop.
- D. Stop engine and remove key from switch.
- E. Do not park on slopes unless wheels are chocked or blocked.

MAINTENANCE

22. Before servicing or making adjustments, stop engine and remove key from the switch.

23. Make sure machine is in safe operating condition by keeping all nuts, bolts and screws tight.

24. Make sure all hydraulic line connectors are tight, and all hydraulic hoses and lines are in good condition before applying pressure to the system.

25. Keep body and hands away from pin hole leaks in hydraulic lines that eject high pressure hydraulic fluid. Use cardboard or paper to find hydraulic leaks. Hydraulic fluid escaping under pressure can penetrate skin and cause injury. Fluid accidentally injected into the skin must be surgically removed within a few hours by a doctor familiar with this form of injury or gangrene may result.

26. Before disconnecting or performing any work on the hydraulic system, all pressure in system must be relieved by stopping engine and lowering cutting units to the ground.

27. If major repairs are ever needed or assistance is desired, contact an Authorized Toro Distributor.

28. To reduce potential fire hazard, keep engine area free of excessive grease, grass, leaves and dirt. Clean protective screen on front of engine frequently.

29. If engine must be running to perform maintenance or an adjustment, keep hands, feet, clothing and other parts of the body away from cutting units and other moving parts. Keep everyone away.

30. Do not overspeed the engine by changing governor setting. To assure safety and accuracy, have an Authorized Toro Distributor check maximum engine speed.

31. Shut engine off before checking or adding oil to the crankcase.

32. Disconnect battery before servicing the machine. If battery voltage is required for troubleshooting or test procedures, temporarily connect the battery.

33. At the time of manufacture, the machine conformed to the safety standards for riding mowers. To assure optimum performance and continued safety certification of the machine, use genuine Toro replacement parts and accessories. Replacement parts and accessories made by other manufacturers may result in non-conformance with the safety standards, and the warranty may be voided.

SOUND PRESSURE LEVEL

This unit has an equivalent continuous A-weighted sound pressure at the operator ear of: 89.5 dB(A), based on measurements of identical machines per Directive 84/538/EEC and amendments.

SOUND POWER LEVEL

This unit has a sound power level of: 103.5 dB(A)/1 pW, based on measurements of identical machines per Directive 84/538/EEC and amendments.

VIBRATION LEVEL

Hand-Arm

This unit does not exceed a vibration level of 2.5 m/s² at the hands based on measurements of identical machines per ISO 5349 procedures.

Whole Body

This unit does not exceed a vibration level of 0.5 m/s² at the posterior based on measurements of identical machines per ISO 2631 procedures.

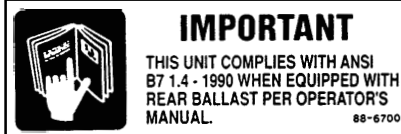


SAFETY AND INSTRUCTION DECALS

The following safety and instruction decals are affixed to the traction unit. If any decal becomes illegible or damaged, install a new decal. Part numbers are listed below and in your Parts Catalog.



ON RIGHT FENDER
(Part No. 85-4730)



ON TOOL BOX COVER
(Part No. 88-6700)



ON LEFT FENDER
(Part No. 52-1320)

THIS END DOWN

83-7450

ON BOTTOM OF RADIATOR SCREEN
(Part No. 83-7450)



UNDER FLOOR PLATE
(Part No. 88-0440)

SELECTING CLIP RATE (REEL SPEED)

TO SELECT THE CORRECT CLIP RATE

- SET THE 8 BLADE SWITCH TO THE CORRECT SETTING INDICATING HOW THE MACHINE IS EQUIPPED
- USING THE COLUMN OF THE CHART BELOW FOR EITHER 5 OR 8 BLADE REELS LOOK DOWN THE CHART TO FIND THE HEIGHT OF CUT LISTING NEAREST THE ACTUAL HEIGHT OF CUT SETTING
- LOOK ACROSS THE CHART TO FIND THE LETTER CORRESPONDING TO THAT HEIGHT OF CUT
- TURN THE HOC SELECTOR KNOB TO THE LETTER SETTING DETERMINED IN STEP 3

CLIP RATE (REEL SPEED) SELECTION CHART

8 BLADE		5 BLADE	
HOC KNOB POSITION	HEIGHT OF CUT	HOC KNOB POSITION	HEIGHT OF CUT
A	FULL SPEED	A	FULL SPEED
B	29 in. 74 mm	B	50 in. 127 mm
C	35 8.9	C	59 15.2
D	40 10.2	D	66 16.8
E	45 11.4	E	70 17.8
F	50 12.7	F	75 19.1
G	55 14.0	G	80 20.3
H	60 15.2	H	85 21.6
I	65 16.5	I	90 22.8
J	70 17.8	J	95 24.0
K	75 19.1	K	100 25.4
L	80 20.3	L	110 27.9
M	85 21.6	M	120 30.5
N	90 22.8	N	130 33.0
O	95 24.0	O	140 35.6
P		P	

FULL SPEED - CUTTING UNITS ALWAYS SET TO FULL SPEED IN THIS POSITION

REEL CONTROL LIGHT

IF THE REEL CONTROL LIGHT ILLUMINATES, IT MEANS ONE OF THE FOLLOWING THINGS:

- THE MACHINE IS BEING OPERATED AT A TRACTION SPEED TOO SLOW TO ALLOW DESIRED CLIP
- THE MACHINE IS BEING OPERATED AT A TRACTION SPEED TOO FAST TO ALLOW DESIRED CLIP

TO CORRECT THE SITUATION, CHANGE THE TRACTION SPEED UNTIL THE LIGHT GOES OUT.

SOLENOID WIRE IDENTIFICATION

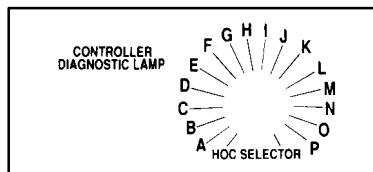
SOLENOID	POWER WIRE COLOR
VS2	ORANGE
VS1	ORANGE/WHITE
	BROWN
	BROWN/WHITE
	ORANGE/BLUE
	YELLOW/BLACK
	YELLOW/WHITE
	ORANGE/BLACK
	YELLOW/RED
	BLACK/RED
	BROWN/WHITE

SEE OPERATOR'S MANUAL FOR SOLENOID FUNCTION INFORMATION AND TEST PORT USAGE

HINTS FOR USE OF DIAGNOSTIC ACE

- AFTER CONNECTING DIAGNOSTIC ACE AND TURNING KEY SWITCH TO "ON" POSITION, MOVE ANY INSTR SWITCH TO GET DIAGNOSTIC ACE DISPLAY TO FUNCTION
- TURN HOC KNOB TO POSITION "A" FOR TROUBLE SHOOTING
- ALWAYS REPLACE THE LOOPBACK CONNECTOR FAILURE TO DO SO WILL PREVENT THE MACHINE FROM OPERATING

UNDER SEAT PLATE
(Part No. 85-4610)



INSIDE CONTROL BOX
(Part No. 94-4934)

IMPORTANT
USE CORRECT FUSES.
WRONG FUSES CAN CAUSE
DAMAGE TO CONTROLLER
AND VOID WARRANTY.

CONTROLLER LOGIC	CONTROLLER POWER
4A	10A
ACCESSORY POWER	IGNITION SWITCH
7.5A	20A
OPTIONAL LIGHTS	CONTROLLER POWER
10A	10A
OPEN	CONTROLLER POWER
	10A

94-6766

INSIDE CONTROL BOX
(Part No. 94-6766)

DANGER

TO AVOID PERSONAL INJURY OR DEATH:

- NEVER PLACE HANDS OR FEET IN REEL AREA WHILE ENGINE IS RUNNING.
- WHILE BACKLAPPING, REELS MAY STALL AND THEN MAY RESTART.
- DO NOT ATTEMPT TO RESTART REELS BY HAND OR FOOT.
- DO NOT ADJUST REELS WHILE ENGINE IS RUNNING.
- IF REEL STALLS, STOP ENGINE BEFORE ATTEMPTING TO CLEAR REEL.

FOR BACKLAPPING:

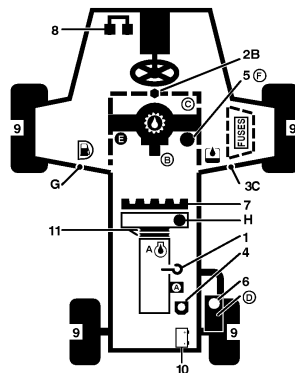
- SET ENGINE SPEED TO IDLE.
- DO NOT CHANGE ENGINE SPEED WHILE REELS ARE RUNNING.
- SET H.O.C. KNOB TO POSITION "P".

SEE OPERATOR'S MANUAL FOR COMPLETE INSTRUCTIONS.

85-4530

ON UNDERSIDE OF SEAT PLATE
(Part No. 85-4530)

REELMASTER 5100-D/5300-D QUICK REFERENCE AID



CHECK/SERVICE (daily)

- | | |
|------------------------------|-----------------------------------|
| 1. OIL LEVEL, ENGINE | 7. RADIATOR SCREEN |
| 2. OIL LEVEL, TRANSMISSION | 8. BRAKE FUNCTION |
| 3. OIL LEVEL, HYDRAULIC TANK | 9. TIRE PRESSURE |
| 4. COOLANT LEVEL, RADIATOR | 10. BATTERY |
| 5. FUEL/WATER SEPARATOR | 11. BELTS (FAN, ALT.) |
| 6. PRECLEANER -- AIR CLEANER | GREASING -- SEE OPERATOR'S MANUAL |

FLUID SPECIFICATIONS/CHANGE INTERVALS

SEE OPERATOR'S MANUAL FOR INITIAL CHANGES.	FLUID TYPE	CAPACITY	CHANGE INTERVAL	FILTER	FILTER PART NO.
A. ENGINE OIL	SAE 10W-30CD	3.9 QTS. 11	50 HRS.	100 HRS.	67-4330 1 93-4295 11
B. TRANSMISSION OIL	MOBIL 424	5 QTS.*	800 HRS.	800 HRS.	75-1330
C. HYD. CIRCUIT OIL	MOBIL 424	8.5 GALS.*	800 HRS.	SEE INDICATOR	75-1310
D. AIR CLEANER				400 HRS.	27-7110
E. FUEL PUMP				400 HRS.	43-2550
F. WATER SEPARATOR				400 HRS.	63-8300
G. FUEL TANK	NO. 2-Diesel	10 GALS.	Drain and flush, 2 yrs.		
H. COOLANT	50/50 Ethylene glycol/water	7 QTS. 1 9.6 QTS. 11	Drain and flush, 2 yrs.		

* INCLUDING FILTER

1 REELMASTER 5100-D
11 REELMASTER 5300-D

93-3601

IN TOOL BOX
(Part No. 93-3601)



SAFETY AND INSTRUCTION DECALS

DANGER

FAILURE TO COMPLY WITH THE FOLLOWING SAFETY REQUIREMENTS MAY RESULT IN PERSONAL INJURY OR DEATH.
 READ AND UNDERSTAND OPERATORS MANUAL BEFORE OPERATING THIS MACHINE.

ESTA MAQUINA PUEDE SER RIESGOSA SI SE USA EN UNA MANERA INAPROPIADA. OPERADORES DEBEN ESTAR MUY BIEN ENTRENADOS EN LA MANERA APROPIADA DE OPERAR LA MAQUINA.

- USE EXTREME CAUTION ON HILLS AND SLOPES.
- OPERATE AT SLOW SPEED AND AVOID SHARP TURNS ON SLOPES.
- INSTALL WEIGHT KIT P.N. 75-6690 AND ADD 85 LBS. OF WEIGHT TO THE REAR WHEELS FOR OPERATION ON HILLS AND SLOPES.
- ALWAYS USE SEAT BELT AND ROPS TOGETHER AND HAVE SEAT ANCHORS FASTENED TO SEAT BASE FRAME.
- CUTTING UNITS MUST BE LOWERED WHEN GOING DOWN SLOPES FOR STEERING CONTROL.
- OPERATOR MUST BE SKILLED AND TRAINED IN SLOPE OPERATION.
- KEEP ALL GUARDS IN PLACE.
- KEEP PEOPLE AND PETS AWAY FROM MACHINE.
- STOP ENGINE BEFORE ADDING FUEL OR SERVICING MACHINE.
- CHECK OPERATION OF ALL INTERLOCK DEVICES DAILY.
- BEFORE LEAVING OPERATOR'S POSITION - SET PARKING BRAKE - TURN OFF ENGINE - REMOVE KEY.
- BEFORE BACKLAPPING SEE OPERATOR'S MANUAL FOR INSTRUCTIONS.

93-3639

ON TOOL BOX
(Part No. 93-3639)

DANGER

ENGAGE PARKING BRAKES BEFORE BACKLAPPING.

REAR
OFF
FRONT

BACKLAP

75-0750

ON BACKLAP BRACKET
(Part No. 75-0750)

6-7.5 KG-M
45-55 FT-LBS

76-8730

ON FRONT WHEELS
(Part No. 76-8730)

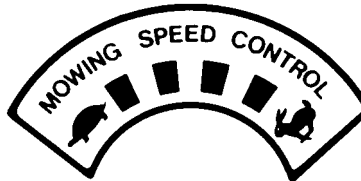
DANGER

NEVER PLACE HANDS OR FEET IN REEL AREA WHILE ENGINE IS RUNNING.

ON EACH CUTTING UNIT CARRIER FRAME
(Part No. 67-7960)

DO NOT STEP

ON LIFT ARMS
(Part No. 36-3400)



ON TOWER
(Part No. 75-6710)

IMPORTANT

IMPROPER TOWING CAN CAUSE DAMAGE TO THIS MACHINE.
 BEFORE TOWING, SEE OPERATOR'S MANUAL FOR SPECIAL INSTRUCTIONS.

ON TOOL BOX COVER
(Part No. 75-1280)

NO RIDERS

75-5190

ON FENDERS
(Part No. 75-5190)

DANGER

IF MACHINE OVERTURNS SEVERE INJURY MAY RESULT.
 ALWAYS WEAR SEAT BELT.
 READ, UNDERSTAND AND FOLLOW SAFETY INSTRUCTIONS PROVIDED ON THIS MACHINE AND IN THE OPERATOR'S MANUAL.

ON ROLL BAR ROOF
(Part No. 83-7430)
(Model 03531 only)

GEAR LUBE
SAE 80w-90
API GL-5

ON REAR AXLE
(Part No. 70-2560)
(Model 03531 only)

WARNING

DO NOT USE STARTING FLUID.

67-1700

ON AIR CLEANER
(Part No. 67-1700)

ECCENTRIC BOLT - SEE OPERATORS MANUAL FOR INSTRUCTIONS.

77-0490

ON FRAME
(Part No. 77-0490)

WARNING

Hand icon pointing to a fan shroud.

ON FAN SHROUD
(Part No. 76-8750)

WARNING

SPRING LOADED MECHANISM
 SEE OPERATOR'S MANUAL FOR DISASSEMBLY PROCEDURE.

55-4300

ON EACH LIFT ARM
(Part No. 55-4300)

SPECIFICATIONS

Engine: Mitsubishi three cylinder, 4 cycle liquid cooled diesel engine. 32 hp @ 3400 rpm, governed to 3250 rpm. 80.4 cu. in. (1318 cc) displacement. Heavy duty, 3-stage, remote mounted air cleaner. High water temperature shutdown switch.

Cooling System: Radiator capacity is approximately 7-1/2 qts. of 50/50 mixture of ethylene glycol anti-freeze. Remote mounted 1 qt. expansion tank. A two speed fan drive controls air flow from fan.

Fuel System: Fuel tank capacity is 10 gal. of #2 diesel fuel. 12 volt, electric fuel pump is mounted on frame with replaceable fuel filter. Equipped with a fuel filter/water separator to capture water in the fuel.

Traction System: Foot pedal controls forward/reverse ground speed. Ground speed: 0 -10 m.p.h forward and 0-4 reverse. Hydrostatic transmission mounted directly on a 20.9:1 ratio front axle. Axle/reservoir capacity is 5 qts. Replaceable filter mounted directly on transmission housing. Model 03531 only—Mechanical rear axle is coupled to front axle by a driveshaft and overrunning clutch.

Cutting Unit Drive System: Hydraulic reel motors feature quick disconnects to ease removal/installation on cutting units. Hydraulic fluid reservoir capacity is 8.5 gal. System protected by a filter assembly with service indicator.

Seat: Deluxe high back seat with adjustable fore and aft travel, weight and height. Tool box at left side of seat.

Steering System: Power steering with dedicated power source.

Tires: Two rear tires: 19 x 8.50-8, tubeless, 4-ply rating. Two front tires: 26 x 12.00-12 tubeless, 4-ply rating. Recommended tire pressure for front and rear tires is 10-15 psi.

Brakes: Individual drum type wheel brakes on front traction wheels. Brakes controlled by individual pedals operated by the left foot. Hydrostatic braking through traction drive.

Electrical System: Automotive type electrical system. 12 volt, maintenance free battery with 530 cold cranking Amps @ 0 degrees F. and 85 minute reserve capacity @ 85 degrees F. 40 amp alternator with I.C. regulator/rectifier. Seat switch, reel and traction interlock switches. An electronic controller monitors and controls safety and operational functions.

Controls: Foot operated traction and brake pedals. Hand operated throttle, traction speed control lever, parking brake lock, ignition switch with automatic preheat cycle, single joy stick control for cutting unit on/off and lift/lower. Cutting unit backlap switch and reel speed controls located under control console.

Gauges: Hour meter, speedometer, fuel gauge, temperature gauge. 4 warning lamps: oil pressure, water temperature, amps and glow plug.

General Specifications (approx.):

<u>Width—of—Cut:</u>	95 in.
<u>Overall Width:</u>	
Transport	87 in.
Outside of tires	82 in.
<u>Overall Length:</u>	
Without grass baskets:	103.5 in.
With grass baskets:	116 in.
<u>Height:</u>	
Without ROPS installed:	56 in.
With ROPS installed:	84.5 in.
<u>Recommended Height—of—Cut:</u>	
5 Blade Cutting Unit:	1/2 – 3/4 in.
8 Blade Cutting Unit:	1/4 – 5/8 in.
<u>Weight:</u>	
Model 03530	2320 lbs.*
Model 03531	2675 lbs.*
*With 8 Blade Cutting Units, baskets & full fluid levels	

Optional Equipment

5 Blade Cutting Unit	Model No. 03505
8 Blade Cutting Unit	Model No. 03508
Grass Basket Kit	Model No. 03513
Rear Weight Kit	Part No. 75—6690
Rear Roller Scraper Kit	Part No. 92—3085
Front Roller Scraper Kit	Model No. 83—5400
High Height of Cut Kit	Model No. 83—5300
Scraper/Comb Kit	Part No. 83—6890
Armrest Kit	Model No. 30707
Thatcher Unit	Model No. 03516
Precleaner Bowl Extension Tube (Clamp, Part No. 20—4840 required to install extension tube)	Part No. 43—3810
4 Wheel Drive Kit (For use with model 03530 only)	Model No. 03517
Turf Compensation Kit	Model 03510
Diagnostic ACE Display	Part No. 85—4750
Turf Defender™ Electronic Leak Detector Kit	Model 03521

Specifications and design subject to change without notice.

LOOSE PARTS CHART

Note: Use this chart as a checklist to assure all parts necessary for assembly have been received. Without these parts, total set-up cannot be completed. Some parts may have already been assembled at factory.

DESCRIPTION	QTY.	USE
Nuts	10	Mount front wheels.
Steering Wheel	1	Install steering wheel
Foam Seal	1	
Nut	1	
Screw	1	
Cap	1	
Capscrew 5/16 – 18 x 3/4"	4	Install seat
Lockwasher 5/16	4	
Flatwasher 5/16	4	
Manual Tube	1	
R-Clamp	2	
Seat Belts	1	Install seat belts to seat (Model 03531 only)
Capscrew 7/16 – 20 x 1"	2	
Lockwasher 7/16	2	
Roll Bar Assembly	1	Mount roll bar to frame (Model 03531 only)
Capscrew 1/2 – 13 x 1–1/4"	9	
Locknut 1/2–13	3	
Flatwasher 1/2"	9	
Lockwasher 1/2"	9	
Cutting Unit Stop	1	Mount cutting units
Capscrew 3/8 – 16 x 1"	1	
Locknut	1	
Screw	5	
Flatwasher	5	
Thrust Washer	5	
Capscrew 5/16 x1.75	5	Mount baskets on carrier frames
Lockwasher 5/16	10	
Flatwasher .344 x .875	10	
Torsion Spring – LH	2	
Torsion Spring – RH	3	
Basket Collar	5	
Basket Bracket	5	
Roll Pin	5	
Basket Guide	5	
Capscrew 5/16 x .5	5	
Cutting Unit Baskets	5	
Counterweight	2	Mount to #4 & #2 cutting units
Magnet	2	
Capscrew 3/8 – 16 x 1" lg. w/ patch lock	2	
Speed Sensor	2	
Speed Sensor Holder	2	
Capscrew 1/4–20 x 3/4" lg.	2	
Cap Plug	2	
Cable Tie	6	
Hydraulic Filter (Transmission)	1	Change filter after first 10 hours operation
Long Handle Brush	1	Use for backlap operation
Gauge Bar w/ screw & nut	1	Use to set height – of – cut
Diagnostic ACE Display Overlay	2	
EEC Decal	2	Affix to machine
EEC Certificate	2	
Operator's Manual (Traction Unit)	2	Read before operating machine.
Parts Catalog	1	
Registration Card	1	Fill out and return to Toro

SET-UP INSTRUCTIONS

INSTALL FRONT WHEELS

1. Mount wheels and torque nuts to 45-55 ft-lb.

INSTALL STEERING WHEEL (Fig. 1)

1. Remove jam nut from steering shaft. Slide foam seal and steering wheel onto steering shaft.
2. Secure steering wheel to shaft with jam nut and tighten it to 10–15 ft-lb.
3. Install cap to steering wheel with screw.

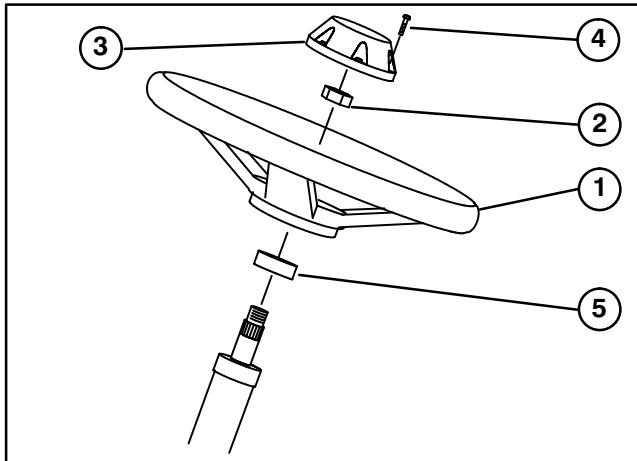


Figure 1

- | | |
|-------------------|--------------|
| 1. Steering Wheel | 4. Screw |
| 2. Jam Nut | 5. Foam Seal |
| 3. Cap | |

INSTALL SEAT (Fig. 2)

1. Loosely assemble seat suspension to seat base with (4) 5/16 – 18 x .75” lg. capscrews, lockwashers, and flatwashers. Also, install an R-clamp over left front and left rear capscrews. Install manual tube into R-clamps. Tighten capscrews.

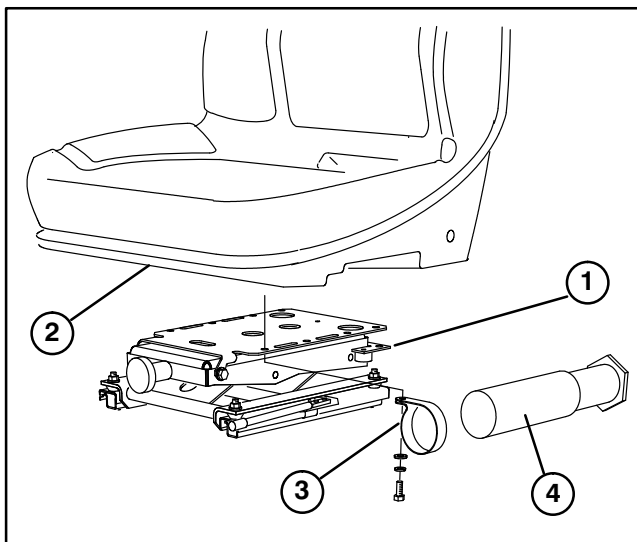


Figure 2

- | | |
|--------------------|----------------|
| 1. Seat Suspension | 3. R-Clamp |
| 2. Seat Base | 4. Manual Tube |

INSTALL SEAT BELTS TO SEAT (Fig. 3) (Model 03531 only)

1. Install seat belt to holes in back of seat with (2) 7/16 x 20 – 1” lg. capscrews and 7/16 lockwashers. Tighten securely. Latch side of belt to be mounted to left side of seat.

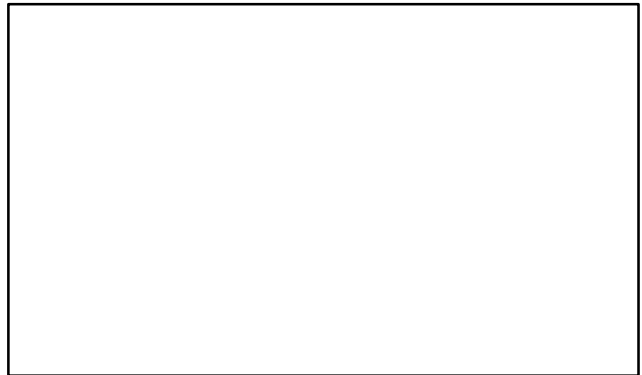


Figure 3

- | | |
|---------|---------------|
| 1. Seat | 2. Seat Belts |
|---------|---------------|

NOTE: When operating machine, always use the seat belt and ROPS together.

INSTALL ROLL BAR (Fig. 4–5) (Model 03531 only)

1. Lower roll bar onto frame, aligning mounting holes in sides and front of machine.
2. Secure each side of roll bar to frame with (3) 1/2 x 13 – 1–1/4” lg. capscrews, 1/2” flatwashers and 1/2” lockwashers (Fig. 4).



Figure 4

- | |
|---------------------|
| 1. Side of Roll bar |
|---------------------|

3. Secure front of roll bar to frame with (3) 1/2 x 13 – 1–1/4” lg. capscrews, 1/2” flatwashers, 1/2” lockwashers and 1/2 – 13 locknuts (Fig. 5). Tighten all fasteners securely.

SET-UP INSTRUCTIONS

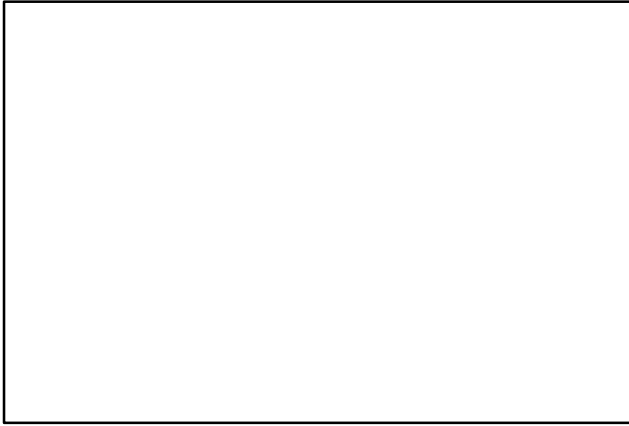



Figure 5
1. Front of Roll bar

NOTE: When operating machine, always use the seat belt and ROPS together.


CONNECT BATTERY (Fig. 6)



WARNING

Connecting cables to the wrong post could result in personal injury and/or damage to the electrical system.

1. Open hood.
2. Ensure battery is securely fastened in place and check battery charge with a hydrometer. If battery needs charging, be sure at least one battery cable, preferable the positive (+) cable, is disconnected from the battery before connecting the charger.



CAUTION

Wear safety goggles and rubber gloves when working with electrolyte. Charge the battery in a well ventilated area so gases produced while charging can dissipate. Since the gases are explosive, keep open flame and electrical spark away from the battery; do not smoke. Nausea may result if the gases are inhaled. Unplug charger from electrical outlet before connecting to, or disconnecting charger leads from battery posts.

3. Slide the red, positive battery cable onto the positive battery post and tighten nut securely.

4. Slide the black, negative battery cable onto the negative battery post and tighten nut securely.

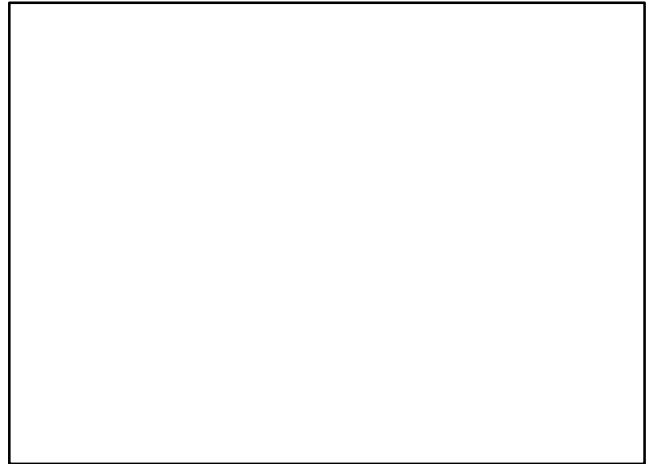


Figure 6
1. Positive Battery Cable
2. Negative Battery Cable

5. Coat both battery connections with Grafo 112X (skin over) grease, Toro Part No. 505-47, petroleum jelly or light grease to prevent corrosion and slide rubber boot over positive terminal.
6. Close hood.

CHECK TIRE PRESSURE

The tires are over-inflated for shipping. Therefore, release some of the air to reduce the pressure. Correct air pressure in the front and rear tires is 10-15 psi.

IMPORTANT: Maintain even pressure in all tires to assure uniform contact with turf.

INSTALL CUTTING UNITS (Fig. 7-14)

1. Remove cutting units from cartons. Assemble and adjust per the Operator's Manual for the cutting unit.
2. Using chart below (Fig. 7) determine the locations at which basket guides or basket brackets must be mounted to cutting unit carrier frames.

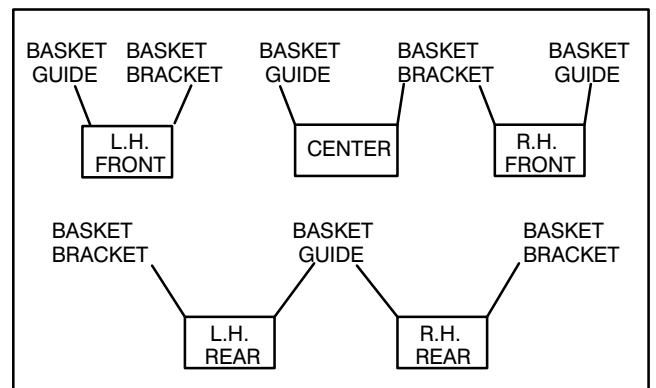


Figure 7

SET-UP INSTRUCTIONS

Note: If cutting units are equipped with Turf Compensation Kits, remove hardware securing kit to each end of carrier frame (Fig. 8 & 9) and reuse when installing basket guides and basket brackets.

3. Mount a basket guide (Fig. 8) to the appropriate side of each cutting unit carrier frame (see figure 7) with a 5/16–18 x 1–3/4" lg. capscrew, flatwasher and lockwasher or fasteners previously removed, as shown in figure 8.

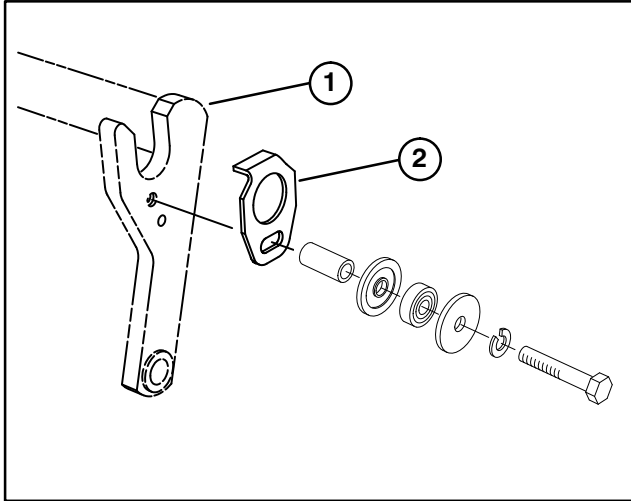


Figure 8
1. Carrier Frame
2. Basket Guide

4. Install a roll pin (Fig. 9) into hole in appropriate side of each cutting unit carrier frame (Fig. 7).

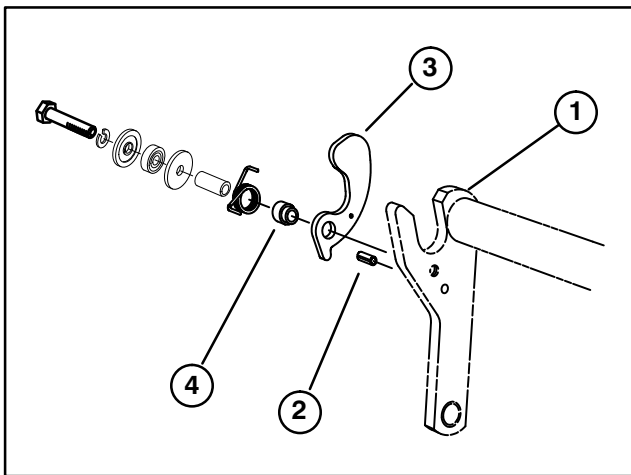


Figure 9
1. Carrier Frame
2. Roll pin
3. Basket Bracket
4. Basket Collar

5. On the same side of carrier frame as roll pin is installed, mount a basket bracket with a 5/16–18 x

1–3/4" lg. capscrew, lockwasher, flatwasher, torsion spring, basket collar or fasteners previously removed, as shown in figure 9. Torsion springs are different for L.H. and R.H. sides of carrier frames. Three are (2) L.H. and (3) R.H. springs. Longer leg of spring is to be positioned forward as shown in Fig. 10.

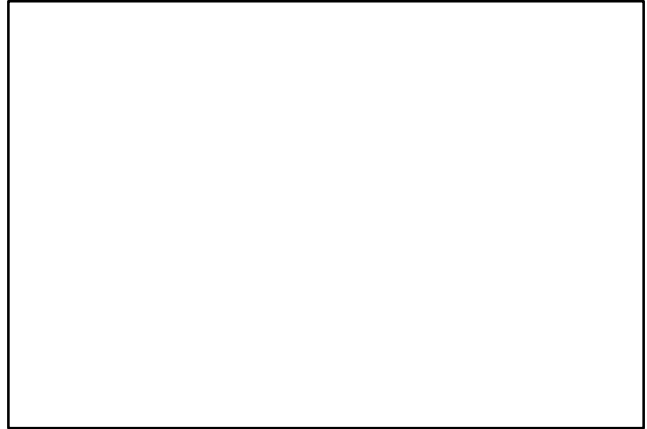


Figure 10

- 1. Basket Bracket
- 2. Torsion Spring

6. Align the mounting shaft of the cutting unit with the pivot tube on the carrier frame. Insert the shaft into the tube (Fig. 11).



Figure 11

- 1. Cutting Unit Mounting Shaft
- 2. Carrier Frame Pivot Tube

7. Secure shaft in pivot tube with a thrust washer, flatwasher, lockwasher and capscrew.

8. Assemble the mounting nuts for the reel drive motor to each cutting unit (Fig. 12). Leave approximately 1/2" of threads exposed on each mounting stud.

SET-UP INSTRUCTIONS

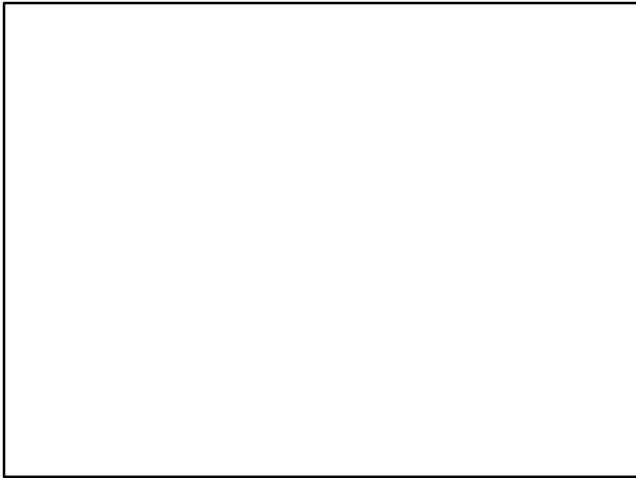


Figure 12

1. Reel Drive Motor 2. Mounting Nuts

9. Coat the spline shaft of the motor with clean grease and install the motor by rotating the motor clockwise so the motor flanges clear the studs. Rotate the motor counterclockwise until the flanges encircle the studs and tighten the mounting nuts. Ensure the washers are against the nuts.

10. Detach chain from lift arm and secure it to cross tube on each rear cutting unit with a capscrew, flatwasher and locknut.

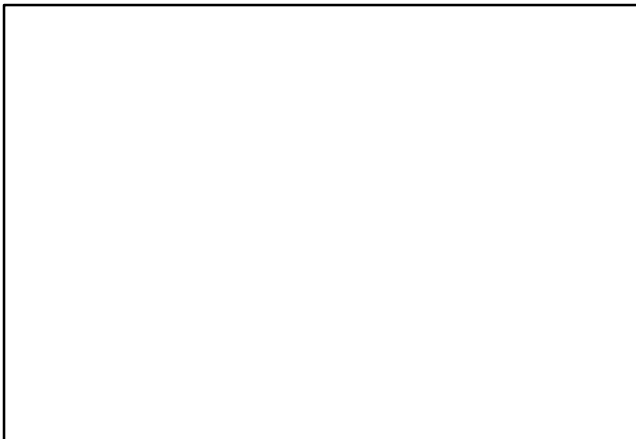


Figure 13

1. Lock Up Chain

IMPORTANT: Make sure all hydraulic hoses are routed away from cutting unit so when cutting unit pivots excessive rubbing does not occur.

11. Check adjustment of lock-up rollers. When properly adjusted, they will contact the lock-up levers on rear lift arms and support the cutting units when fully raised. The cutting units should have approximately 3/8" – 5/8" vertical travel measured at the rear roller.

12. Mount a basket to each cutting unit carrier frame by inserting basket mounting pin into basket bracket and depressing opposite mounting pin into pivoting bracket.

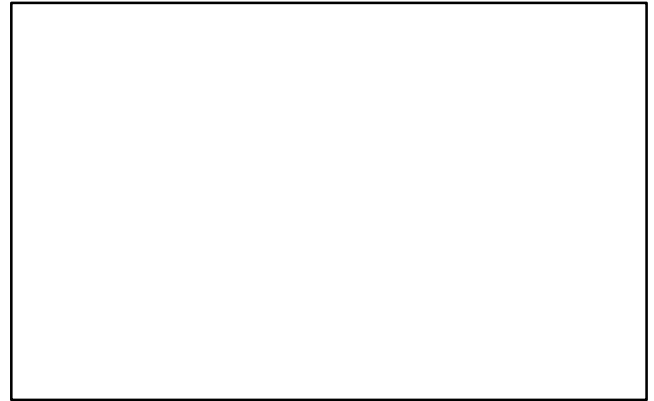


Figure 14

1. Lock-up Rollers 2. Lock-up Levers

INSTALL REEL SPEED SENSOR (Fig. 15–16)

1. Remove the (2) nuts securing the counterweight to the left end of the left front (#4) and left rear (#2) cutting units and remove counterweights (Fig. 15).

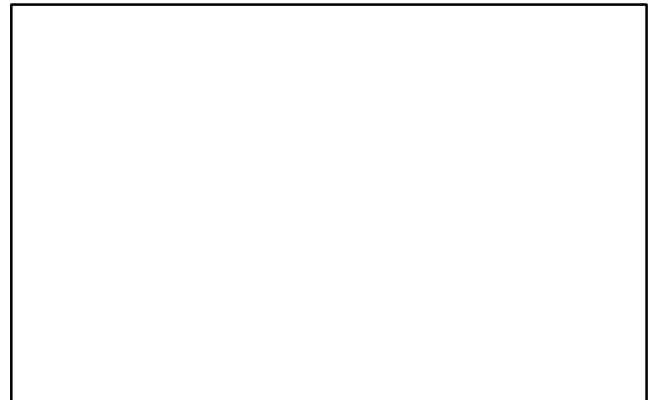


Figure 15

1. Counterweight

2. Check cutting unit reel bearing adjustment to ensure it is correct before proceeding (refer to cutting unit operator's manual for procedure).

3. Thread reel speed sensor (Fig. 16 & 17) into sensor holder until dimension shown in figure 16, is attained. Lock adjustment with (2) jam nuts.

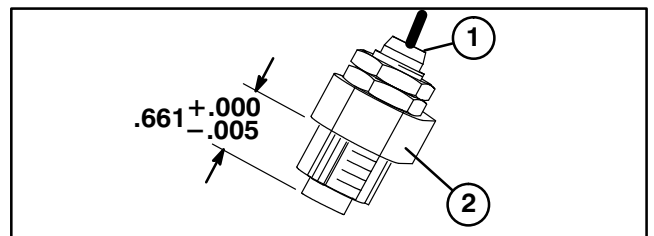


Figure 16

1. Sensor
2. Sensor Holder

4. Align mounting holes and insert sensor and holder into hole in top of new counterweight (supplied in traction unit loose parts).

SET-UP INSTRUCTIONS

5. Secure sensor holder to counterweight with a 1/4–20 x 3/4" lg. capscrew.

6. Install a counterweight to the left front and left rear cutting units, with nuts previously removed (Fig. 17). Mount counterweight with reel speed sensor up.

7. Through hole in end of counterweight, carefully position and mount a magnet (supplied in traction unit loose parts) to the end of the reel shaft with a 3/8 – 16 x 1" lg. capscrew (supplied in traction unit loose parts). Magnet to be installed with counterbore side toward the end of reel shaft and the smooth side outward (Fig. 17). Torque capscrew to a maximum of 5 ft–lb.

IMPORTANT: Over–torquing the capscrew will damage the magnet thus leaving the sensor not operational.

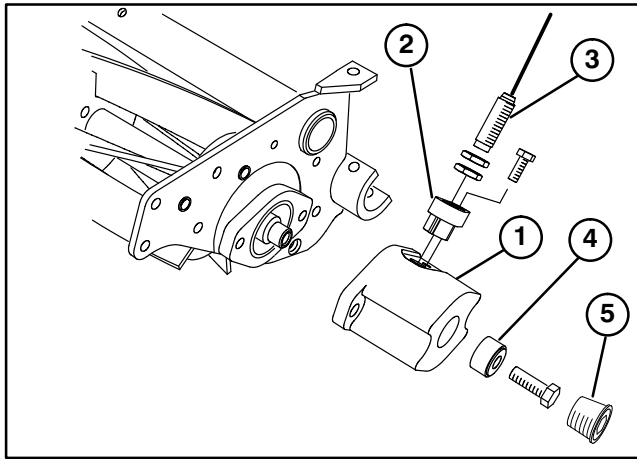


Figure 17

- | | |
|------------------|--------------|
| 1. Counterweight | 4. Magnet |
| 2. Sensor holder | 5. Pipe Plug |
| 3. Sensor | |

8. Apply Never–seez to pipe plug and install into end of counterweight.

9. Route front sensor wire across carrier frame cross tube, up the pull arm and connect to wiring harness above front cutting unit lift cylinders.

10. Route rear sensor wire in front of carrier frame cross tube, up the pull arm and connect to wiring harness near ETR solenoid.

11. Using cable ties (supplied in traction unit loose parts) secure sensor wires to carrier frame cross tubes and hydraulic hoses.

IMPORTANT: Make sure sensor wires do not hang where they could come in contact with hot or moving parts or interfere with operator getting on or off machine.

RMCONFIG SOFTWARE CUSTOMIZING

The RMCONFIG software (Toro Part No. 93–4450) allows the customizing of various functions of the Reelmaster. These functions include the following:

1. Cutting unit selection (5 or 8 blade)
2. Limit maximum mowing speed
3. Adjust lifting height of front outer cutting units

IMPORTANT: The Reelmaster 5300 must be set up with the RMCONFIG software, otherwise the cutting unit drive circuits will not function.

Computer requirements: IBM or compatible running MS–DOS 3.1 or higher, a 3.5 inch floppy disk drive, a serial port, and 256 kByte memory.

1. CUTTING UNIT SELECTION

In order to obtain the correct clip rate control, the correct number of reel blades on the cutting units must be stored into the ACE® control program.

Without programming in the number of blades with the RMCONFIG software, the cutting unit drive circuits will not function.

If the number of blades on the cutting units are changed, for example from 8 to 5 blade, the RMCONFIG software must be used to change the Reelmaster programming to insure proper clip rate control.

2. LIMIT MAXIMUM MOWING SPEED

The RMCONFIG software allows you to set the maximum mow speed. When the operator approaches the maximum set speed, the reel control light flashes slowly indicating the current mowing speed is approaching the preset maximum allowed speed. If the operator exceeds the maximum set speed, the reels stop rotating and can only be restarted by reducing speed to less than the maximum set speed and moving the joy stick lever to the "LOWER" position. This feature is fully compatible with all Clip Ace features.

The ACE® control program will default to "not programmed" and will not limit the maximum mowing speed unless a limit is set using the RMCONFIG software.

3. LIFT HEIGHT ADJUSTMENT

The lifted height of the outer front cutting units (#4 & #5) in the turnaround "ENABLE" condition, can be customized to the mowing conditions or operator's preference. The lift height is adjusted by changing the delay time using the RMCONFIG software. This will allow the outer front cutting units to be raised to a higher position in the turnaround "ENABLE" condition, if desired.

REAR BALLAST

This unit complies with the ANSI B71.4–1990 Standard when rear weight kit, Part no. 75–6690, is installed and 85 lbs. of calcium chloride ballast is added to rear wheels

IMPORTANT: If a puncture occurs in a tire with calcium chloride, remove unit from turf area as quickly as possible. To prevent possible damage to turf, immediately soak affected area with water.

BEFORE OPERATING



CAUTION

Before servicing or making adjustments to the machine, stop engine and remove key from the switch.

CHECK ENGINE OIL (Fig. 18–19)

1. Park machine on a level surface, stop engine and remove key from ignition switch. Open hood.
2. Remove dipstick, wipe clean and reinstall dipstick. Remove dipstick and check oil level on dipstick; Oil level should be up to FULL mark.

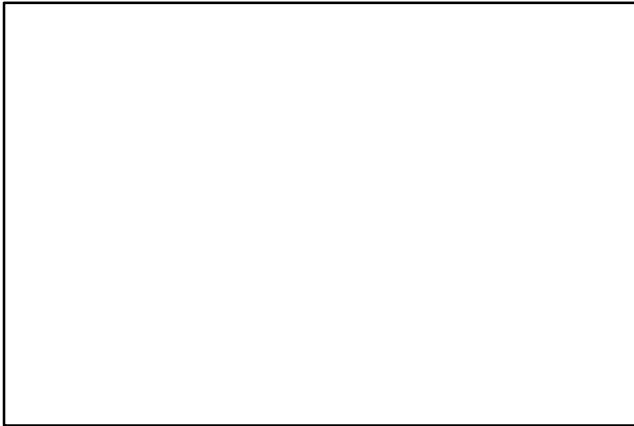


Figure 18
1. Dipstick

3. If oil is below FULL mark, remove fill cap and add SAE 10W–30 CD classification oil until level reaches FULL mark on dipstick. **DO NOT OVERFILL.** Crankcase capacity is 4.0 qt. with filter.

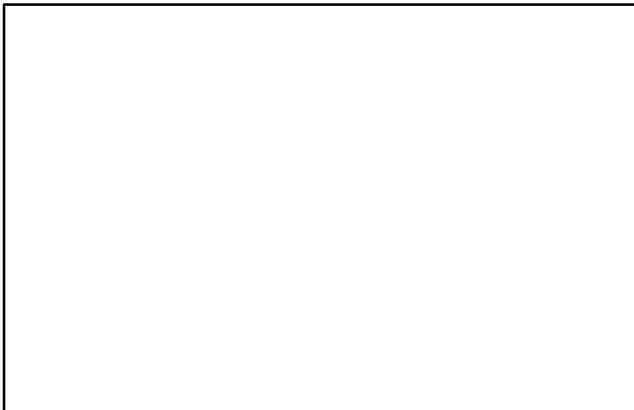


Figure 19
1. Oil Fill Cap

4. Install oil fill cap and close hood.

CHECK COOLING SYSTEM (Fig. 20)

Clean debris off screen, oil cooler and front of radiator daily, more often if conditions are extremely dusty and dirty; refer to section on Engine Cooling System.

The cooling system is filled with a 50 / 50 solution of water and permanent ethylene glycol anti-freeze. Check level of coolant in expansion tank at beginning of each day before starting the engine. Capacity of cooling system is 9.6 quarts.



CAUTION

If engine has been running, pressurized hot coolant can escape when radiator cap is removed and cause burns.

1. Check level of coolant in expansion tank. Coolant level should be between the marks on side of tank.



Figure 20
1. Expansion Tank

2. If coolant level is low, remove expansion tank cap and replenish the system. **DO NOT OVERFILL.**
3. Install expansion tank cap.

FILL FUEL TANK (Fig. 21)

1. Remove fuel tank cap.
2. Fill tank to about one inch below top tank, not filler neck with No. 2 diesel fuel. Then install cap.



DANGER

Because diesel fuel is flammable, use caution when storing or handling it. Do not smoke while filling the fuel tank. Do not fill fuel tank while engine is running, hot, or when machine is in an enclosed area. Always fill fuel tank outside and wipe up any spilled diesel fuel before starting the engine. Store fuel in a clean, safety-approved container and keep cap in place. Use diesel fuel for the engine only; not for any other purpose.

BEFORE OPERATING



Figure 21
1. Fuel Tank Cap

CHECK TRANSMISSION FLUID (Fig. 22)

The front axle housing acts as the reservoir for the system. The transmission and axle housing are shipped from the factory with approximately 5 quarts of Mobil 424 hydraulic fluid. However, check level of transmission oil before engine is first started and daily thereafter.

1. Position machine on a level surface, lower the cutting units and stop the engine.
2. Remove access panel behind foot rest.
3. Unscrew dipstick cap from the transmission filler neck and wipe it with a clean rag. Screw dipstick into filler neck. Remove the dipstick and check level of oil. If level is not within 1/2 inch from the groove in the dipstick, add enough oil to raise level to groove mark. **DO NOT OVERFILL** by more than 1/4 inch above groove.



Figure 22
1. Transmission Dipstick Cap

4. Screw dipstick filler cap finger-tight onto filler neck. It is not necessary to tighten cap with a wrench.

CHECK HYDRAULIC FLUID (Fig. 23)

The hydraulic system driving the reels is designed to operate on anti-wear hydraulic fluid. The machines reservoir is filled at the factory with approximately 8.5 gallons of Mobil 424 hydraulic fluid. **Check level of hydraulic fluid before engine is first started and daily thereafter.**

Group 1 Hydraulic Fluid (Recommended for ambient temperatures consistently below 100° F):

ISO type 46/68 anti-wear hydraulic fluid

Mobil	Mobil Fluid 424
Amoco	Amoco 1000
International Harvester	Hy-Tran
Texaco	TDH
Shell	Donax TD
Union Oil	Hydraulic/Tractor Fluid
Chevron	Tractor Hydraulic Fluid
BP Oil	BP HYD TF
Boron Oil	Eldoran UTH
Exxon	Torque Fluid
Conoco	Power-Tran 3
Kendall	Hyken 052
Phillips	HG Fluid

Note: The fluids within this group are interchangeable.

Group 2 Hydraulic Fluid (Recommended for ambient temperatures consistently above 70° F):

ISO type 68 anti-wear hydraulic fluid

Mobil	DTE 26 or DTE 16
Shell	Tellus 68
Amoco	Rykon Oil 68
Arco	Duro AW S-315
Boron	Industron 53
BP Oil	Energol HLP68
Castrol	Hyspin AWS68
Chevron	Chevron EP68
Citgo	Citgo A/W68
Conoco	Super Hydraulic Oil 31
Exxon	Nuto H68
Gulf	68AW
Pennzoi	IAW Hyd Oil 68
Phillips	Magnus A315
Standard	Industron 53
Texaco	Rando HD68
Union	Unax AW 315

Note: The fluids within this group are interchangeable.

IMPORTANT: Two groups of hydraulic fluid are specified to allow optimal operation of the machine in a wide range of temperatures encountered. The group 1 fluids are a multi-viscosity hydraulic fluids which allows operation at lower temperatures without the increased viscosity, which is associated with straight viscosity fluids.

Using the Mobil 424 type fluids in the higher ambient temperatures may result in decreased efficiency in some of the hydraulic components compared to using the Mobil DTE 26 type fluids.

BEFORE OPERATING

The Mobil DTE 26 type fluids are straight viscosity fluids which remain slightly more viscous at higher temperatures than the multi-viscosity fluids.

Using the Mobil DTE 26 type fluids in the lower ambient temperatures may result in harder starting, increased engine laboring while cold, sluggish or non-operating valve spools while cold and increase filter back pressure due to the higher fluid viscosity.

It is recommended that you select which set of conditions (either ambient temperatures above 70° F. or below 100° F.), and use that type of fluid throughout the year, rather than changing fluid types several times per year.

Group 3 Hydraulic Fluid (Biodegradable):

ISO VG 32/46 anti-wear hydraulic fluid

Mobil

EAL 224 H

Note: This biodegradable hydraulic fluid in this group is not compatible with the fluids in group 1 or 2.

NOTE: When changing from one type of hydraulic fluid to the other, be certain to remove all the old fluid from the system, because some brands of one type are not completely compatible with some brands of the other type of hydraulic fluid.

IMPORTANT: Use only types of hydraulic fluids specified. Other fluids could cause system damage.

Note: A red dye additive for the hydraulic system fluid is available in 2/3 oz. bottles. One bottle is sufficient for 4–6 gal. of hydraulic fluid. Order Part No. 44–2500 from your Authorized Toro Distributor

1. Position machine on a level surface, lower the cutting units and stop the engine.
2. Clean area around filler neck and cap of hydraulic tank. Remove cap from filler neck.

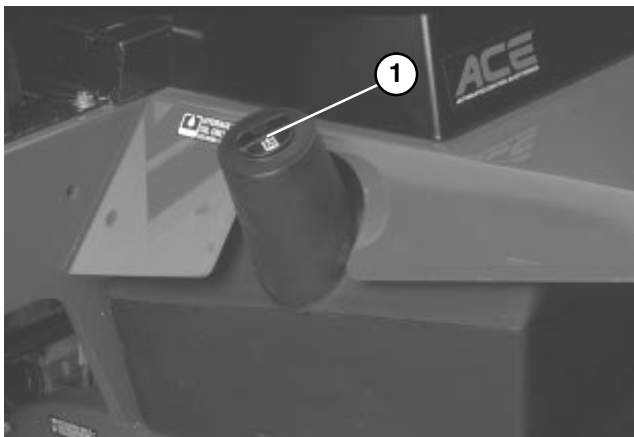


Figure 23

1. Hydraulic Tank Cap

3. Remove dipstick from filler neck and wipe it with a clean rag. Insert dipstick into filler neck; then remove it and check level of fluid. Fluid level should be within 1/4 inch of mark on dipstick.

4. If level is low, add appropriate fluid to raise level to full mark.
5. Install dipstick and cap onto filler neck.

CHECK REAR AXLE LUBRICANT

(Fig. 24 & 25) (Model 03531 only)

The rear axle has three separate reservoirs which use SAE 80W-90 wt. gear lube. Although the axle is shipped with lubricant from the factory, check the level before operating the machine.

1. Position the machine on a level surface.
2. Remove a check plug from each end of axle and make sure lubricant is up to bottom of hole. If level is low, remove one of the mounting bolts above each end plug and add enough lubricant to bring the level up to the bottom of the hole (Fig. 24).

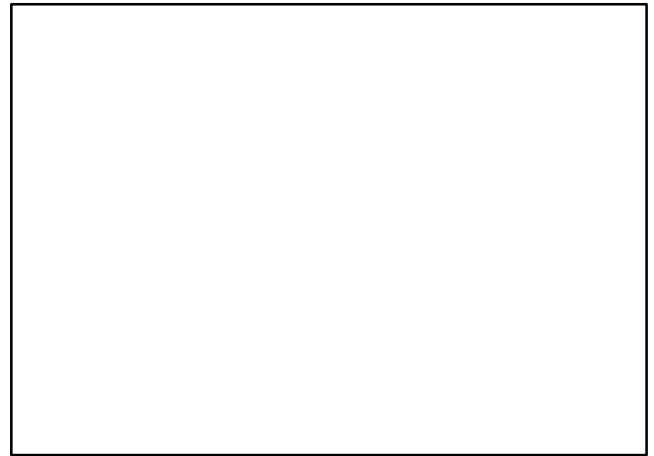


Figure 24

1. Check Plugs (2)
2. Mounting Bolts

3. Remove plug in center of axle and check level. If level is low, add enough lubricant to bring the level up to the bottom of the hole (Fig. 25).



Figure 25

1. Check / Fill Plug

BEFORE OPERATING

CHECK REEL TO BEDKNIFE CONTACT

Each day before operating, check reel to bedknife contact, regardless if quality of cut had previously been acceptable. There must be light contact across the full length of the reel and bedknife (refer to Adjusting Reel to Bedknife in Cutting Unit Operator's Manual).

CHECK TORQUE OF WHEEL NUTS



WARNING

Tighten wheel nuts to 45-55 ft-lb after 1-4 hours of operation and again after 10 hours of operation and every 250 hours thereafter. Failure to maintain proper torque could result in failure or loss of wheel which may result in personal injury.

KNOW YOUR CONTROLS

Seat (Fig. 26) – Seat adjusting lever allows 4 inch fore and aft adjustment. Seat adjusting knob adjusts seat for operators weight. To adjust seat fore and aft, pull lever on left side of seat assembly outward. After moving seat to desired location, release lever to lock seat into position. To adjust for operators weight, turn spring tension knob; clockwise to increase tension, counterclockwise to decrease spring tension

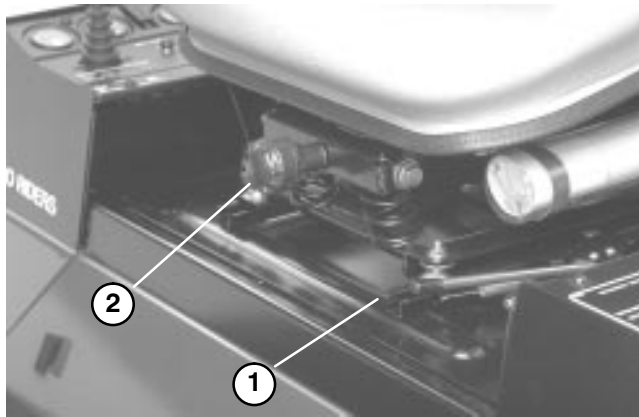


Figure 26

1. Seat Adjusting Lever
2. Seat Adjusting Knob

Traction Pedal (Fig. 27) – Controls forward and reverse operation. Depress top of pedal to move forward and bottom to move backward. Ground speed depends on how far pedal is depressed. For no load, maximum ground speed, fully depress pedal while throttle is in FAST.

To stop, reduce foot pressure on traction pedal and allow it to return to center position.

Traction Speed Limiter (Fig. 27) – Preset this lever to limit the amount the traction pedal can be depressed in the forward direction to maintain a constant mowing speed.

Reel Control Light (Fig. 27) – When lit, indicates machine is being operated in a way in which the automatic reel speed control cannot obtain the desired clip.

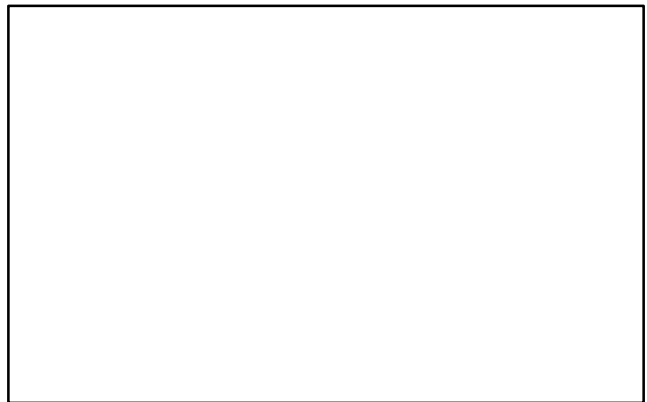


Figure 27

1. Traction Pedal
2. Traction Speed Limiter
3. Reel Control Light

Lower Mow / Raise Control Lever (Fig. 28) – The lever raises and lowers the cutting units and also starts and stops the reels.

Speedometer (Fig. 28) – Indicates ground speed at which machine is traveling.

Fuel Gauge (Fig. 28) – Shows amount of fuel in tank.

Engine Oil Pressure Warning Light (Fig. 28) – Indicates dangerously low engine oil pressure.

Engine Coolant Temperature Warning Light (Fig. 28) – The light illuminates and engine shuts down when coolant reaches a dangerously high temperature.

Glow Plug Indicator Light (Fig. 28) – When lit, indicates glow plugs are on.

Charge Indicator (Fig. 28) – Illuminates when system charging circuit malfunctions.

Key Switch (Fig. 28) – Three positions: OFF, ON / Preheat and START.

Throttle Control (Fig. 28) – Move control forward to increase engine speed, rearward to decrease speed.

Enable / Disable Switch (Fig. 28) – Used in conjunction with lower mow / raise control lever to operate reels.

KNOW YOUR CONTROLS

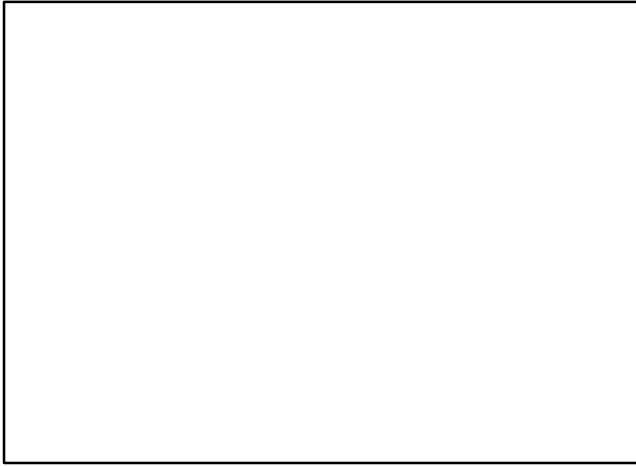


Figure 28

1. Lower Mow / Raise Control Lever
2. Speedometer
3. Fuel Gauge
4. Engine Coolant Temperature Gauge
5. Engine Oil Pressure Warning Light
6. Engine Coolant Temperature Warning Light
7. Glow Plug Indicator Light
8. Charge Indicator
9. Key Switch
10. Throttle Control
11. Enable / Disable switch

Backlap Switch (Fig. 30) – Used in conjunction with lower mow / raise control lever for backlapping operation. Refer to Cutting Unit Maintenance, Backlapping.

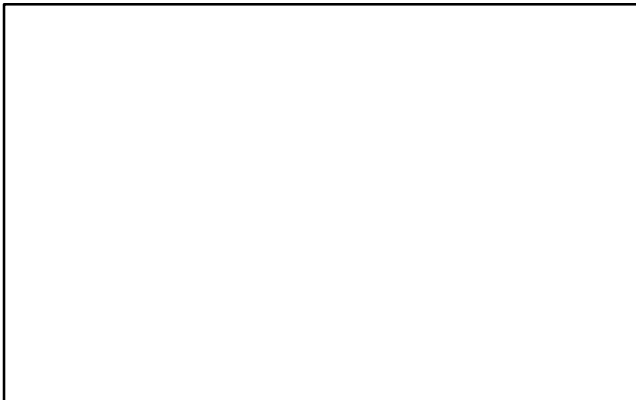


Figure 29

1. Backlap Switch

HOC Selector Knob (Fig. 30) – Rotating knob to appropriate setting informs the electronic controller at what height-of-cut the machine is being operated so, desired clip may be obtained. See section in manual for operating instructions.

Hour Meter (Fig. 30) – Shows total hours that machine has been operated.

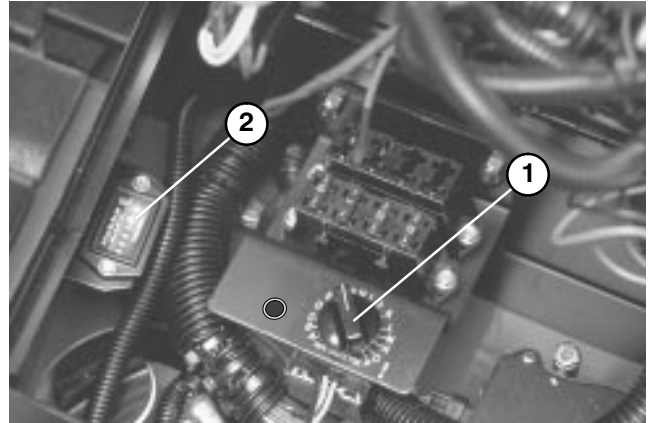


Figure 30

1. HOC Selector Knob
2. Hour Meter

Brake Pedals (Fig. 31) – Two foot pedals operate individual wheel brakes for turning assistance, parking and to aid in obtaining better sidehill traction. Locking pin connects the pedals for parking brake operation and transport.

Parking Brake Latch (Fig. 31) – A knob on the left side of console actuates parking brake lock. To engage parking brake, connect pedals with locking pin, push down on both pedals and pull parking brake latch out. To release parking brake, depress both pedals until parking brake latch retracts.



Figure 31

1. Brake Pedals
2. Parking Brake Latch
3. Locking Pin

OPERATING INSTRUCTIONS



CAUTION

Before servicing or making adjustments to the machine, stop engine and remove key from the switch.

STARTING AND STOPPING

IMPORTANT: The fuel system must be bled if any of the following situations have occurred.

- A. Initial start up of a new machine.
- B. Engine has ceased running due to lack of fuel.
- C. Maintenance has been performed upon fuel system components; i.e., filter replaced, separator serviced, etc.

Refer to Bleeding The Fuel System

1. Sit on the seat, keep foot off traction pedal. Assure parking brake is engaged, traction pedal is in NEUTRAL, throttle is in FAST position and the ENABLE / DISABLE switch is in the DISABLE position.
2. Turn ignition switch to ON / Preheat position. An automatic timer will control preheat for 6 seconds. After preheat, turn key to START position. CRANK ENGINE FOR NO LONGER THAN 15 SECONDS. Release key when engine starts. If additional preheat is required, turn key to OFF position then to ON / preheat position. Repeat process as required.
3. Run engine at idle speed or partial throttle until engine warms up.

Note: Move throttle to FAST position when restarting a warm engine.

4. To stop, move all controls to NEUTRAL and set parking brake. Return throttle to the idle position, turn key to OFF and remove it from switch.

BLEEDING FUEL SYSTEM (Fig. 32 & 33)

1. Raise hood over engine.
2. Loosen air bleed screw on top of fuel filter/water separator (Fig. 32).

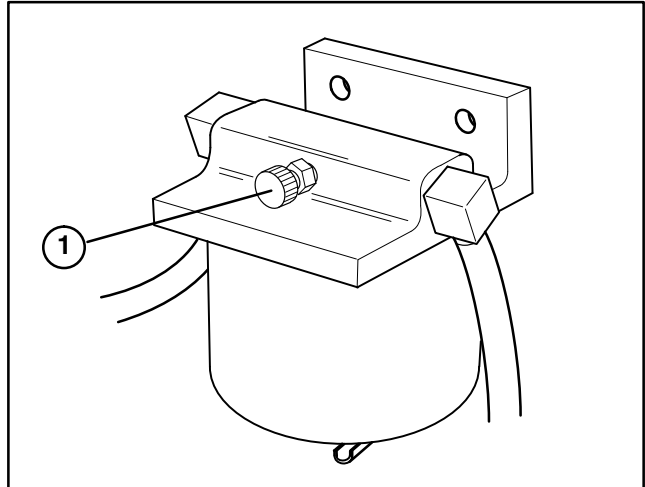


Figure 32
1. Air bleed screw

3. Turn key in ignition switch to the ON position. Electric fuel pump will begin operation, thereby forcing air out around air bleed screw. Leave key in ON position until solid stream of fuel flows out around screw. Tighten screw and turn key to OFF.
4. Open the air bleed screw on the fuel injection pump (Fig. 33) with a 12 mm wrench.

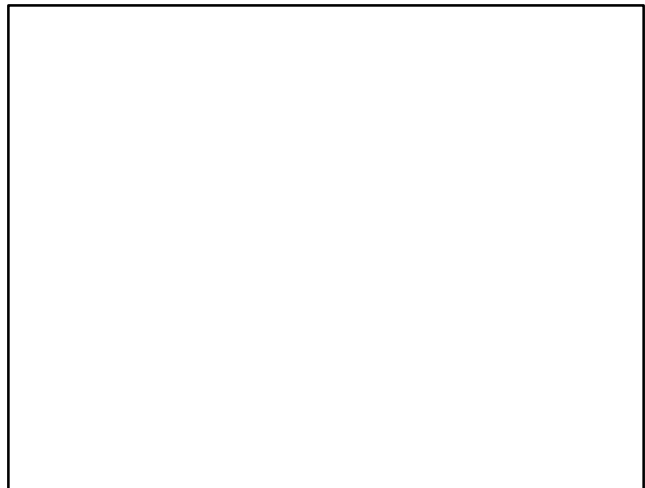


Figure 33
1. Fuel injection pump bleed screw

5. Turn key in ignition switch to the ON position. Electric fuel pump will begin operation, thereby forcing air out around air bleed screw on fuel injection pump. Leave key in ON position until solid stream of fuel flows out around the screw. Tighten screw and turn key to OFF.

Note: Normally, engine should start after above bleeding procedures are followed. However, if engine does not start, air may be trapped between injection pump and injectors; refer to Bleeding Air From Injectors.

OPERATING INSTRUCTIONS

AUTOMATIC CLIP CONTROL

The RM 5300–D is equipped with an electronic controller which is programmed to achieve automatic clip control. The machine will automatically adjust the reel speed to attain the desired clip as the traction speed changes. In order for the controller to know what clip is desired, the software must have been properly set, by your distributor or dealer, to either 5 or 8 blade and the height–of–cut selector knob must be properly set.

The range of possible reel speeds is a minimum of

about 600 RPM and a maximum of about 1800 RPM. As long as the desired clip requires a reel speed within this range, the machine will maintain the desired clip. If the traction speed is too slow or too fast to allow the desired clip, the Reel Control light (on the front control panel) will illuminate, indicating that the desired clip is not being maintained. For example, if the traction speed is zero, the reels will still run at the minimum speed of about 600 RPM, which will result in a clip smaller than desired and cause the Reel Control light to illuminate. The approximate ranges of traction speed which will result in the desired clip are as follows for several of the possible heights of cut:

SAMPLES OF TRACTION SPEED RANGES FOR VARIOUS HEIGHTS OF CUT			
No. of Blades per C.U.	Height–of–Cut	Minimum Traction Speed	Maximum Traction Speed
8	.25 in.	1.2 mph	4.0 mph
8	.50 in.	2.5 mph	8.0 mph
5	.50 in.	1.7 mph	5.0 mph
5	.88 in.	2.7 mph	8.3 mph

SELECTING CLIP RATE (REEL SPEED)

To achieve a consistent, high quality of cut, and a uniform after cut appearance, it is important that the reel speed be matched to the height of cut. The machine controller is programmed to automatically control the reel speed to give the correct clip, even as the traction speed changes. In order to control the reel speed as desired, the controller must know the height of cut of the machine, and whether the machine is equipped with 5 or 8 blade reels.

Adjust the HOC selector knob as follows:

1. Insure the configuration screen, set, by the distributor, is on the correct setting. (5 or 8 blade.)
2. Verify what the height–of–cut settings are on the cutting units. Using the column of the chart (page 22) listing either 5 or 8 blade reels, look down the chart to find the height of cut listing nearest the actual height–of–cut setting. Look across the chart to find the letter corresponding to that height of cut.
3. Turn the HOC selector knob to the letter setting determined in step 2.
4. Operate the machine for several days until the grass being cut is “conditioned” to being mowed with this machine. Then examine the cut to ensure satisfaction with the quality of cut. The height of cut knob may be set one position on either side of the position indicated on the chart to account for differences in grass condition, grass length removed,

and personal preference of the superintendent. For a cut with more grass removed but slightly more clip visibility, move the HOC selector knob one position higher than specified. For a cut with less grass removed and slightly less clip visibility, move the HOC selector knob one position lower than specified.

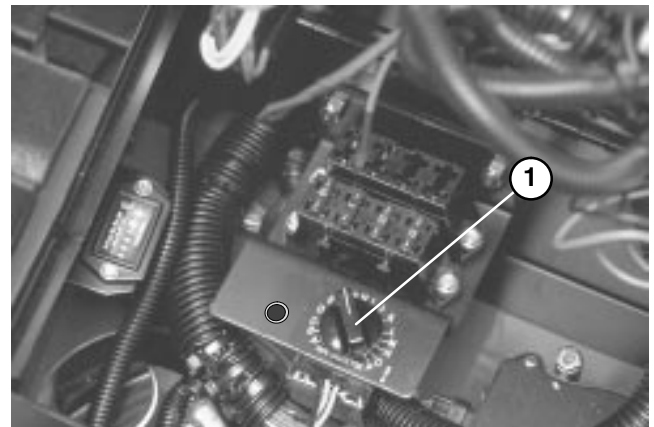


Figure 34
1. H.O.C. Selector Knob

Full Speed – There may be times when it is desirable for the reels to run at full speed regardless of the traction speed of the machine. Examples of this are vertical cutting or heavy scalping. In such cases, the HOC selector knob may be set to position “A” which will indicate to the machine controller to run the reels at full speed at all times. Also, set HOC selector knob to position “A” when electrical troubleshooting.

OPERATING INSTRUCTIONS

CLIP RATE (REEL SPEED) SELECTION CHART

<u>8 Blade C.U.</u>		<u>5 Blade C.U.</u>	
HOC Knob Position	Height-of-Cut	HOC Knob Position	Height-of-Cut
A	FULL SPEED	A	FULL SPEED
B	.25 in. (6.4 mm)	B	.50 in. (12.7 mm)
C	.30 in. (7.6 mm)	C	.55 in. (14.0 mm)
D	.35 in. (8.9 mm)	D	.60 in. (15.2 mm)
E	.40 in. (10.2 mm)	E	.65 in. (16.5 mm)
F	.45 in. (11.4 mm)	F	.70 in. (17.8 mm)
G	.50 in. (12.7 mm)	G	.75 in. (19.0 mm)
H	.55 in. (14.0 mm)	H	.80 in. (20.3 mm)
I	.60 in. (15.2 mm)	I	.85 in. (21.6 mm)
J	.65 in. (16.5 mm)	J	.90 in. (22.9 mm)
K	.70 in. (17.8 mm)	K	.95 in. (24.0 mm)
L	.75 in. (19.0 mm)	L	1.0 in. (25.4 mm)
M	.80 in. (20.3 mm)	M	1.1 in. (27.0 mm)
N	.85 in. (21.6 mm)	N	1.2 in. (30.0 mm)
O	.90 in. (22.9 mm)	O	1.3 in. (33.0 mm)
P	.95 in. (24.1 mm)	P	1.4 in. (36.0 mm)

FULL SPEED – Cutting units always set to full speed in this position.

REEL CONTROL LIGHT

The Reel Control light, located on the front control panel, is used to give feedback to the operator that the machine controller is able to achieve the desired clip. If the machine is operated at a traction speed which is too low or too high, the machine controller may not be able to set the reel speed at the required value to achieve the desired clip. If this occurs, the Reel Control light will illuminate.

If the Reel Control light illuminates, it means one of the following things:

1. The machine is being operated at a traction speed too slow to allow desired clip.

2. The machine is being operated at a traction speed too fast to allow desired clip. To correct the situation, change the traction speed until the light goes out.

3. A foreign object, such as a stick, piece of turf, etc. is restricting reel rotation.

If changing the traction speed or removing the foreign object does not cause the light to go out, and the Reel Control light remains illuminated regardless of traction speed, then a service issue is indicated. In this case, refer to the Diagnostic Display section of this manual, check service manual or contact your local authorized Toro Distributor.

OPERATING INSTRUCTIONS

ADJUSTING LIFT ARM DOWN PRESSURE

(Fig. 35)

The down pressure spring on each cutting unit lift arm can be adjusted to compensate for different turf conditions. Increased down pressure will help keep the cutting units on the ground when mowing at higher speeds and helps maintain a uniform height—of—cut in rough conditions or in areas of thatch build up. Each down pressure spring may be adjusted to one of four settings. Each increment increases or decreases down pressure on cutting unit by 8 lbs.

1. Position machine on a level surface, lower the cutting units, stop the engine, engage the parking brakes and remove key from ignition switch.
2. Remove floor plate in front of seat and open the hood to gain access to all (5) springs.



3. Place an open end wrench on the hex shaft of the spring bracket.



Figure 35

1. Spring Bracket Hex Shaft
2. Retaining Bracket

4. Remove the capscrew and locknut securing retaining bracket, while rotating hex shaft to relieve spring tension.
5. Move spring bracket to desired location and install capscrew and locknut, while rotating hex shaft to relieve spring tension.

TOWING TRACTION UNIT (Fig. 36 & 37)

If it becomes necessary to tow the machine, tow it forward only and at a speed no greater than 10 mph.

Note: If these towing limits are exceeded, severe damage to the hydrostatic transmission may occur.

To Tow a disabled machine:

1. Loosen and remove capscrews securing the drive shaft to the engine drive coupler. Loosen capscrews clamping drive shaft to transmission (Fig. 36). Remove drive shaft.

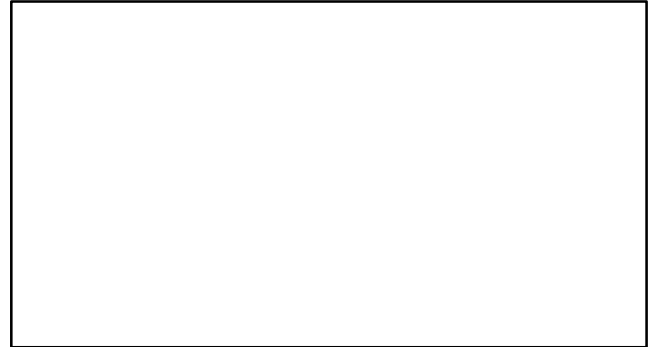


Figure 36

1. Drive Shaft

Important: If drive shaft is not removed before towing, the transmission input shaft will not be able to rotate, thus not allowing the transmission to maintain its internal lubrication. Severe damage to the hydrostatic transmission may occur.

2. Attach a suitable chain, strap or cable to the center of the front frame member (Fig. 37).



Figure 37

1. Center Of Front Frame Member

Note: Lock both brake pedals together before towing.

3. Attach the other end of the towing device to a vehicle that is capable of towing the machine safely and at speeds below 10 mph.
4. An operator must be on the machine to steer it and keep the traction pedal fully depressed in the forward position while towing.
5. When towing is completed, reinstall driveshaft as shown in figure 36. The splines are designed to allow assembly only when the two halves of the shaft are properly oriented.

OPERATING INSTRUCTIONS

DIAGNOSTIC LIGHT (Fig. 38)

The RM 5300–D is equipped with a diagnostic light which indicates if the electronic controller is functioning correctly. The green diagnostic light is located under the control panel, next to the fuse block. When the electronic controller is functioning correctly and the key switch is moved to the ON position, the controller diagnostic light will be illuminated. The light will blink if the controller detects a malfunction in the electrical system. The light will stop blinking and automatically reset when the key switch is turned to the OFF position.

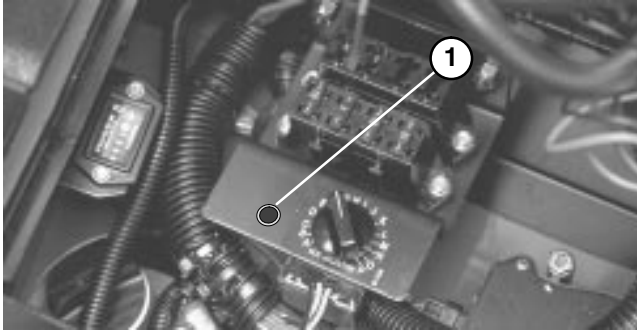


Figure 38
1. Electronic Controller Light

When the controller diagnostic light blinks, one of the following problems has been detected by the controller:

1. One of the outputs has been shorted.
2. One of the outputs is open circuited.

Using the diagnostic display, determine which output is malfunctioning, refer to Checking Interlock Switches.

If the diagnostic light is not illuminated when the key switch is in the ON position, this indicates that the electronic controller is not operating. Possible causes are:

1. Loopback is not connected.
2. The light is burned out.
3. Fuses are blown.
4. Not functioning correctly.

Check electrical connections, input fuses and diagnostic light bulb to determine malfunction. Make sure loopback connector is secured to wire harness connector.

DIAGNOSTIC ACE DISPLAY

The RM 5300–D is equipped with an electronic controller which controls most machine functions. The controller determines what function is required for various input switches (i.e. seat switch, key switch, etc.) and turns on the outputs to actuate solenoids or relays for the requested machine function.

For the electronic controller to control the machine as desired, each of the input switches, output solenoids and relays must be connected and functioning properly.

The Diagnostic ACE display is a tool to help the user verify correct electrical functions of the machine.

CHECKING INTERLOCK SWITCHES

The purpose of the interlock switches are to prevent the engine from cranking or starting unless the traction pedal is in NEUTRAL, the Enable / Disable switch is in DISABLE and the Lower Mow / Raise control is in the neutral position. In addition, the engine will stop when the traction pedal is depressed with operator off the seat.



CAUTION

THE INTERLOCK SWITCHES ARE FOR THE PROTECTION OF THE OPERATOR AND BYSTANDERS, AND TO ENSURE CORRECT OPERATION OF THE MACHINE, SO DO NOT BYPASS OR DISCONNECT THEM. CHECK OPERATION OF THE SWITCHES DAILY TO ASSURE INTERLOCK SYSTEM IS OPERATING. IF A SWITCH IS DEFECTIVE, REPLACE IT BEFORE OPERATING. THE CONTROLLER HAS THE ABILITY TO DETECT BY-PASSED SWITCHES AND MAY PREVENT THE OPERATION OF THE MACHINE IF SWITCHES ARE BYPASSED. DO NOT RELY ENTIRELY ON SAFETY SWITCHES – USE COMMON SENSE!

To verify interlock switch function:

1. Park machine on a level surface, lower the cutting units, stop the engine and engage the parking brake.
2. Open control panel cover. Locate wire harness and connectors near controller. Carefully unplug loop back connector from harness connector.

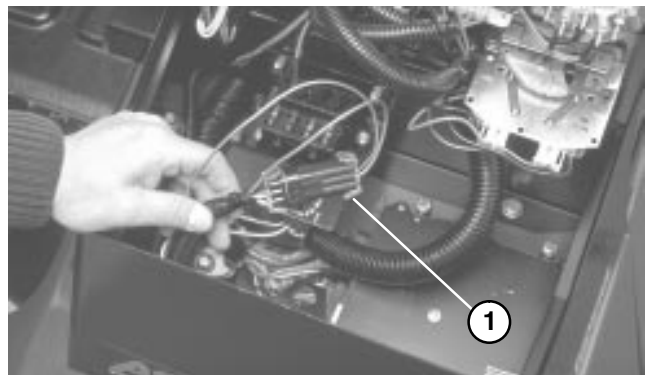


Figure 39

1. Wire Harness and Connectors

3. Connect the Diagnostic ACE display connector to the harness connector. Make sure correct overlay decal is positioned on Diagnostic ACE display.
4. Turn the key switch to the ON position, but do not start machine.

OPERATING INSTRUCTIONS

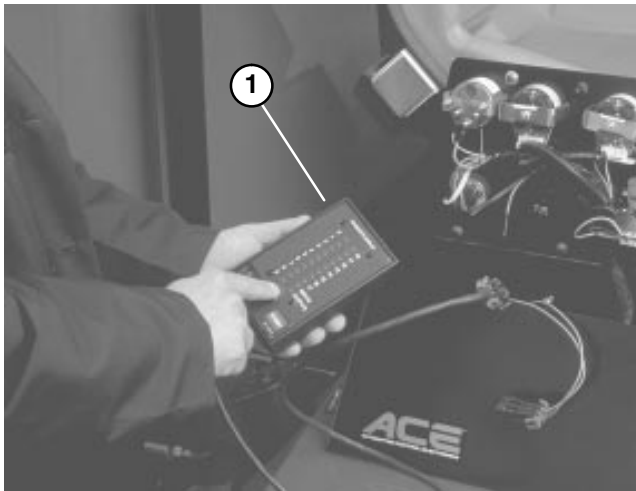


Figure 40
1. Diagnostic ACE

Note: The red text on the overlay decal refers to input switches and the green text refers to outputs.

5. The “inputs displayed” LED, on lower right column of the Diagnostic ACE, should be illuminated. If “outputs displayed” LED is illuminated, press the toggle button, on Diagnostic ACE, to change LED to “inputs displayed”.

6. The Diagnostic ACE will illuminate the LED associated with each of the inputs when that input switch is closed.

Individually, change each of the switches from open to closed (i.e., sit on seat, engage traction pedal, etc.), and note that the appropriate LED on Diagnostic ACE will blink on and off when corresponding switch is closed. Repeat on each switch that is it possible to be changed by hand.

7. If switch is closed and appropriate LED does not turn on, check all wiring and connections to switch and/or check switches with an ohm meter. Replace any defective switches and repair any defective wiring.

The Diagnostic ACE also has the ability to detect which output solenoids or relays are turned on. This is a quick way to determine if a machine malfunction is electrical or hydraulic.

To verify output function:

1. Park machine on a level surface, lower the cutting units, stop the engine and engage the parking brake.
2. Open control panel cover. Locate wire harness and connectors near controller. Carefully unplug loopback connector from harness connector. Set HOC selector knob to position “A”.
3. Connect the Diagnostic ACE connector to the harness connector. Make sure correct overlay decal is positioned on Diagnostic ACE.
4. Turn the key switch to the ON position, but do not start machine.

Note: The red text on the overlay decal refers to input switches and the green text refers to outputs.

5. The “outputs displayed” LED, on lower right column of Diagnostic ACE, should be illuminated. If “inputs displayed” LED is illuminated, press the toggle button, on Diagnostic ACE, to change LED to “outputs displayed”.

Note: It may be necessary to toggle between “inputs displayed” and “outputs displayed” several times to do the following step. To toggle back and forth, press toggle button once. This may be done as often as required. DO NOT HOLD BUTTON.

6. Sit on the seat and attempt to operate the desired function of the machine. (If you need help verifying the correct input settings for each function, refer to the Logic Chart on page 27) The appropriate output LED’s should illuminate to indicate that the ECU is turning on that function. (Refer to the list on page 26, or the logic chart to be certain of the specified output LED’s.

Note: If any output LED is blinking, this indicates an electrical problem with that OUTPUT. Repair / replace defective electrical parts immediately. To reset a blinking LED, turn the key switch “OFF”, then back “ON”.

If no output LED’s are blinking, but the correct output LED’s do not illuminate, verify that the required input switches are in the necessary positions to allow that function to occur. Verify correct switch function.

If the output LED’s are on as specified, but the machine does not function properly, this indicates a non–electrical problem. Repair as necessary.

Note: Due to electrical system constraints, the output LED’s for “START”, “PREHEAT” and “ETR/ALT” may not blink even though an electrical problem may exist for those functions. If the machine problem appears to be with one of these functions, be certain to check the electrical circuit with a volt / ohm meter to verify that no electrical problem exists to these functions.

If each output switch is in the correct position and functioning correctly, but the output LED’s are not correctly illuminated, this indicates an ECU problem. If this occurs, contact your Toro Distributor for assistance.

IMPORTANT: The Diagnostic ACE display must not be left connected to the machine. It is not designed to withstand the environment of the machine’s every day use. When done using Diagnostic ACE, disconnect it from the machine and reconnect loopback connector to harness connector. Machine will not operate without loopback connector installed on harness. Store Diagnostic ACE in dry, secure location in shop, not on machine.

OPERATING INSTRUCTIONS

LEAK DETECTOR OPERATION (Optional)

The TurfDefender™ is an electronic hydraulic fluid leak detection device that fits inside the hydraulic tank of your machine. It is a pressure based system which requires a sealed hydraulic tank to function properly. Very small changes to the oil level in the sealed tank result in a large movement of the leak detector's internal float. The TurfDefender's internal microprocessor analyzes the float movement and determines if there is a leak in the system.

- Turn ignition key to "ON" position start the system. The system will reset itself whenever the ignition key is moved to "OFF" position. Wait 5 seconds, then move key to "ON" position to restart the system.
- When machine is started, the alarm will give one short beep to indicate that everything is operating properly. If the alarm makes no noise at all, it should be checked by a mechanic.
- If the alarm gives 4 short beeps it means a system problem has been detected and it should be checked by a mechanic. The 4 beep pattern will continue for approximately 1–1/2 minutes, then stop, unless the ignition key is moved to "OFF" position.

Note: The low or high oil level 4 beep signal may occur if machine is started on a slope. Move machine to a level surface, move ignition key to "OFF" position, wait 5 seconds, then move key to "ON" position to restart the system.

- If the alarm gives a loud continuous beep while mowing and shuts off the cutting units, it means that a leak has been detected. On the traction unit, the red light on the steering console will also blink indicating the ECU has shut off the cutting units.

CHECKING LEAK DETECTOR OPERATION

The operation of the TurfDefender™ should be checked if any of the following conditions occur:

- a. No beeps are heard when ignition switch is turned "ON".
- b. Any time the machine gives a series of 4 short beeps.
- c. False alarms are observed.

1. Park machine on a level surface, stop the engine and engage the parking brake.

2. Open control panel cover. Locate leak detector harness loopback connector with hydraulic symbol tag. Carefully unplug loopback connector from harness connector.



3. Connect the Diagnostic ACE display connector to the correct harness loopback connector. Install TurfDefender overlay decal (supplied with leak detector kit) onto Diagnostic ACE (Fig. 41).

4. Turn the key switch to the ON position, but do not start machine.

Note: Red text on the overlay decal refers to inputs and green text refers to outputs.

5. The red "Inputs displayed" LED (Light Emitting Diode), on lower right column of the Diagnostic ACE, should be illuminated. If green "Outputs displayed" LED is illuminated, press and release the toggle button, on Diagnostic ACE, to change LED to "Inputs displayed". Do not hold button down (Fig. 41).

If TurfDefender is functioning normally:

1. When the "Inputs displayed" LED is lit, the actual Float position (1 or 2 LED's on left row) and "Oil level OK" LED – should be displayed (Fig. 42).

2. Press toggle button until green "Outputs displayed" LED is lit. "Valve ON", "data line" and "self diagnostic" LED's should be lit steadily. "Alarm ON" LED may be displayed temporarily (about 5 seconds) (Fig. 43).

Note: If "data line" or "self diagnostic" LED's are blinking, there is a problem in the system.

If No beeps are heard:

1. Check alarm wires to make sure they are not disconnected, broken or "+" and "-" reversed.

2. Toggle "outputs displayed" on Diagnostic ACE display (Fig. 43).

- Alarm open circuit (LED blinking): Check / replace TurfDefender alarm or wires.
- Alarm short circuit (LED blinking): Check / replace TurfDefender alarm or wires.

If 4 beeps are heard:

The most common cause for a 4 beep signal is from an improper oil level reading. Make sure machine is on a level surface when checking oil level. Since oil level will vary with temperature, it is best to check when cool.

1. When toggling "input", a LED should display (Fig. 42) any of the following problems diagnosed by the TurfDefender:

- Oil level low: Position machine on a level surface and fill to proper level.
- Oil level high: Position machine on a level surface and remove excess oil until proper level is attained.
- Oil too hot: Allow machine to cool and clean any debris from oil cooler.
- Air leak in system: Assure tank cap is tight or check for leak in tank.

Note: Only large air leaks can be detected by hand held Diagnostic ACE. A leakdown test is required to identify small air leaks. Consult your Authorized Toro Distributor for assistance.

OPERATING INSTRUCTIONS

2. When toggling “output” a LED should display (Fig. 43) any of the following problems diagnosed by the TurfDefender:

- Valve open circuit (LED blinking): Check / replace TurfDefender electric solenoid valve or wires.
- Valve short circuit (LED blinking): Check / replace TurfDefender electric solenoid valve or wires.
- Self diagnostic LED Blinking: Internal circuit failure in TurfDefender. Consult your Authorized Toro Distributor for assistance.
- Data Line LED Blinking: Problem with communications between machine and leak detector; or problem with wires. Consult your Authorized Toro Distributor for assistance.

Note: If machine must be operable with leak detector disabled, unplug leak detector 4–pin connector from 4–pin connector of main harness. Do not unplug leak detector alarm.

If false alarms are observed:

1. Oil level may be low causing air to be drawn out of system. Check oil level.
2. Extremely hard left turns can cause oil to slosh to the right, exposing suction line and purging air out of system. Normal maneuvering should not cause this condition.

3. Air leak in system. Check to make sure cap is securely on tank. Contact your local authorized Toro Distributor for further assistance with air leak problem.

4. To check for a system problem, install hand held Diagnostic ACE, toggle input/output and check for any problems previously discussed.

Note: The system will reset itself whenever the ignition key is turned to “OFF” position. The hand held Diagnostic ACE must be connected and observed during a false alarm. Once the ignition key is turned to “OFF” position, the TurfDefender will reset itself.

5. Your Authorized Toro Distributor has equipment to analyze system problems.

IMPORTANT: The Diagnostic ACE displays must not be left connected to the machine. It is not designed to withstand the environment of the machine’s every day use. When done using Diagnostic ACE, disconnect them from the machine and reconnect loopback connectors to harness connectors. Machine will not operate without loopback connectors installed on harness. Store Diagnostic ACE in dry, secure location in shop, not on machine.

OPERATING INSTRUCTIONS

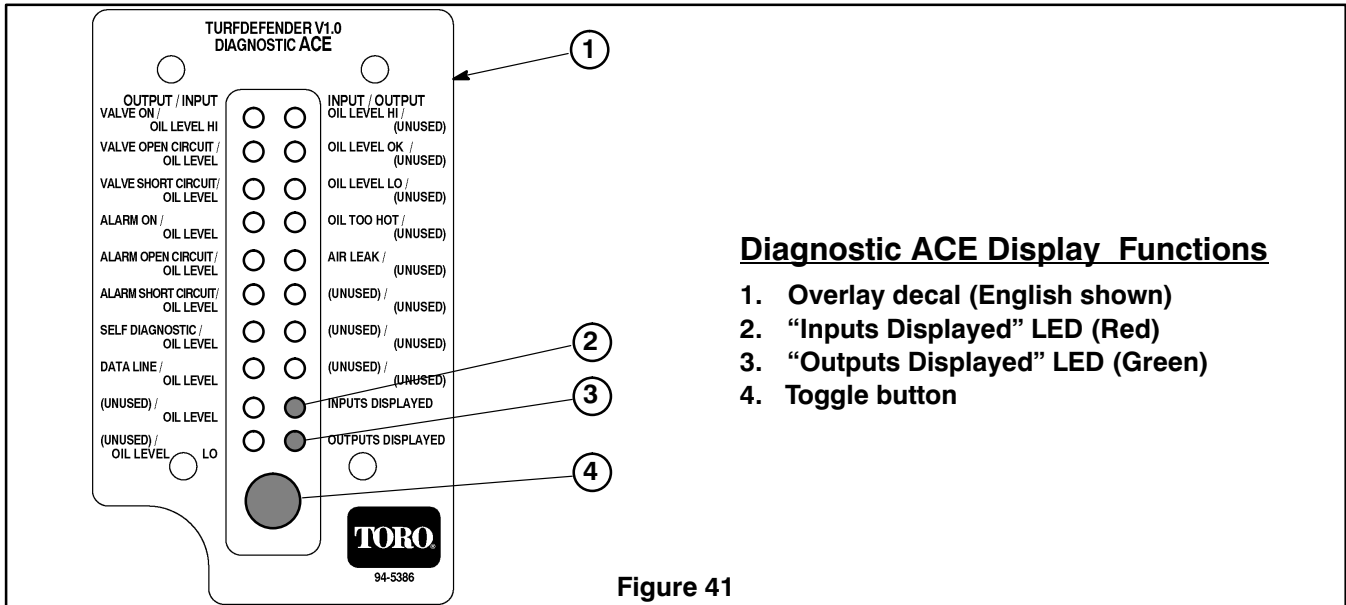


Figure 41

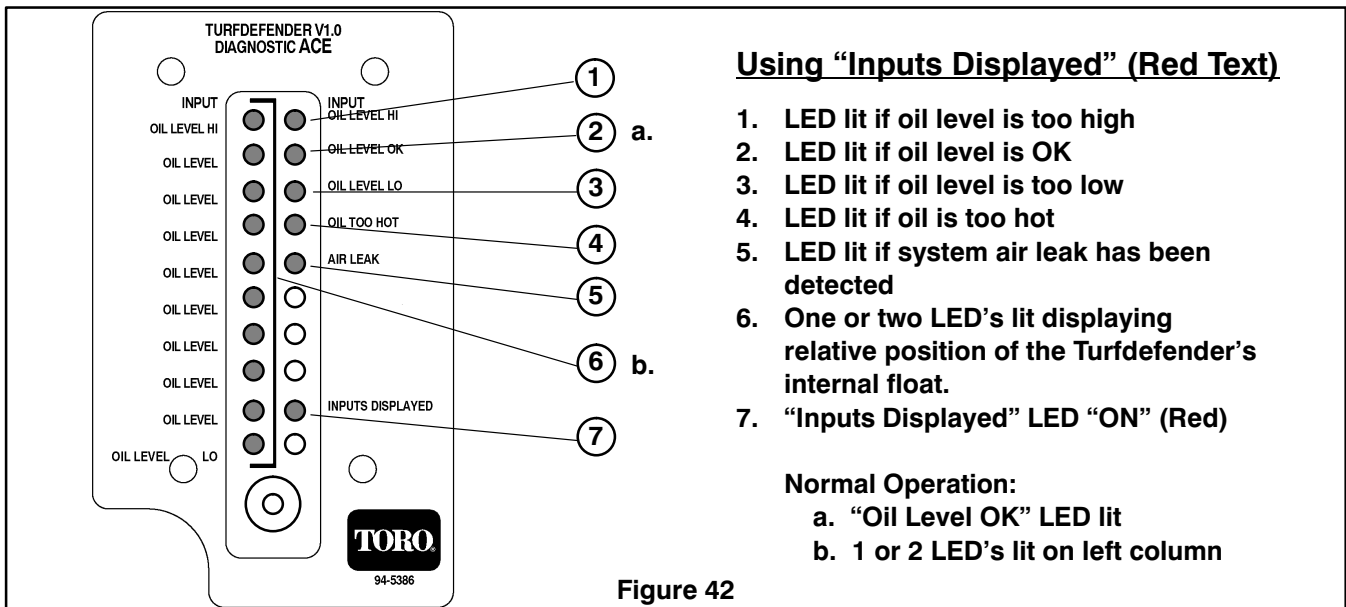


Figure 42

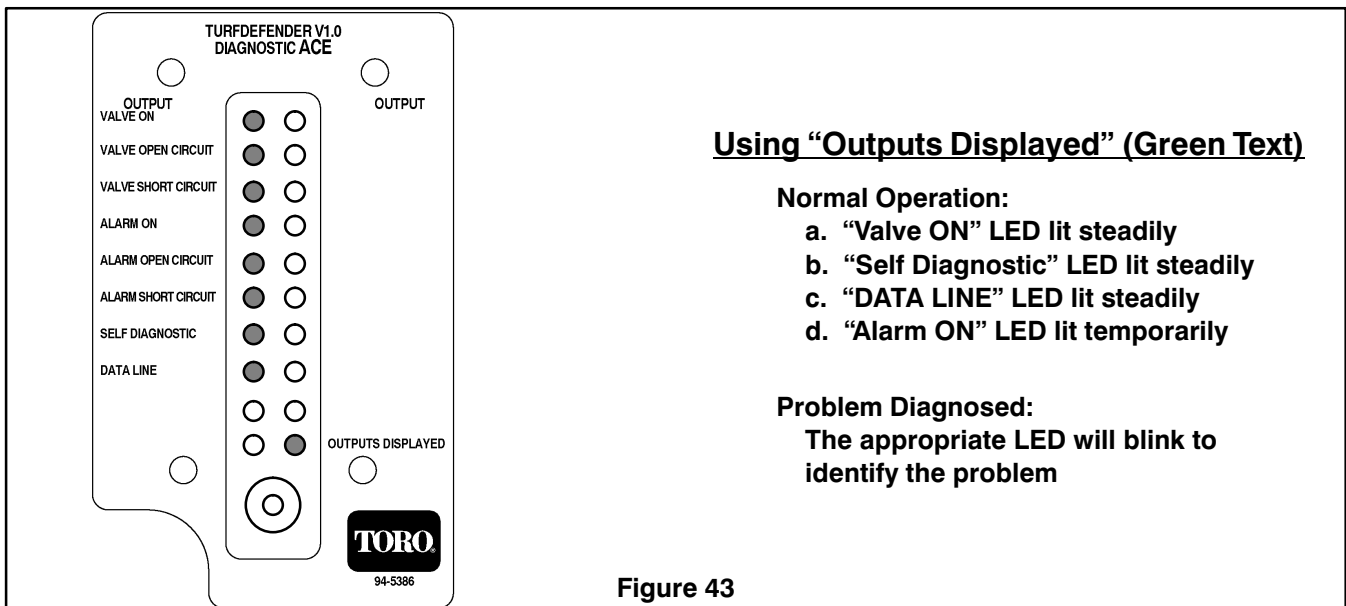


Figure 43

Diagnostic ACE Display Functions

1. Overlay decal (English shown)
2. "Inputs Displayed" LED (Red)
3. "Outputs Displayed" LED (Green)
4. Toggle button

Using "Inputs Displayed" (Red Text)

1. LED lit if oil level is too high
2. LED lit if oil level is OK
3. LED lit if oil level is too low
4. LED lit if oil is too hot
5. LED lit if system air leak has been detected
6. One or two LED's lit displaying relative position of the Turfdefender's internal float.
7. "Inputs Displayed" LED "ON" (Red)

Normal Operation:

- a. "Oil Level OK" LED lit
- b. 1 or 2 LED's lit on left column

Using "Outputs Displayed" (Green Text)

Normal Operation:

- a. "Valve ON" LED lit steadily
- b. "Self Diagnostic" LED lit steadily
- c. "DATA LINE" LED lit steadily
- d. "Alarm ON" LED lit temporarily

Problem Diagnosed:

The appropriate LED will blink to identify the problem

OPERATING INSTRUCTIONS

HYDRAULIC VALVE SOLENOID FUNCTIONS

Use the list below to identify and describe the different functions of the solenoids in the hydraulic manifold. Each solenoid must be energized to allow function to occur.

<u>Solenoid</u>	<u>Function</u>
VS1,S1	Front reel circuit
VS2,S2	Rear reel circuit
S3	Lift / lower front wing cutting units
S4	Lift / lower center cutting unit
S5	Lift / lower rear cutting unit
S6	Lower any cutting units
S7	Lift any cutting units
S8,S9	Backlap any cutting units

HEIGHT OF CUT (HOC) SELECTION POTENTIOMETER REPLACEMENT

The HOC selection potentiometer is factory calibrated. If the HOC selection potentiometer should be replaced for any reason, the new potentiometer will need to be calibrated in order to assure the correct clip is delivered. If the potentiometer is not calibrated correctly, the delivered clip may be as much as 2 or 3 settings different from the desired setting. This calibration must be done by your Toro distributor.

OPERATING CHARACTERISTICS

Familiarization – Before mowing grass, practice operating machine in an open area. Start and stop the engine. Operate in forward and reverse. Lower and raise cutting units and engage and disengage reels. When you feel familiar with the machine, practice operating up and down slopes at different speeds. The brakes can be used to assist in turning the machine. However, use them carefully, especially on soft or wet grass conditions because the turf may be torn accidentally. Individual turning brakes may also be used to help maintain traction. For example, in some slope conditions, the uphill wheel slips and loses

traction. If this situation occurs, depress uphill turn pedal gradually and intermittently until the uphill wheel stops slipping, thus, increasing traction on the downhill wheel.

WARNING: When operating machine, always use the seat belt and ROPS together.

Warning System – If a warning light comes on during operation, stop the machine immediately and correct the problem before continuing operation. Serious damage could occur if the machine is operated with a malfunction.

Mowing – Start engine and move throttle to FAST so engine is running at maximum speed. Move the ENABLE / DISABLE switch to ENABLE and use the LOWER MOW / RAISE lever to control the cutting units (front cutting units are timed to lower before the rear cutting units). To move forward and cut grass, press traction pedal forward. Maintain a speed which does not result in the Reel Control Light being illuminated. Gradually increase or decrease traction speed to ensure proper clip is maintained.

Transport – Move the ENABLE / DISABLE switch to DISABLE and raise the cutting units to the transport position. Be careful when driving between objects so you do not accidentally damage the machine or cutting units. Use extra care when operating machine on slopes. Drive slowly and avoid sharp turns on slopes to prevent roll overs. The cutting units should be lowered when going downhill for steering control.

Selecting Clip Rate (Reel Speed) – The automatic clip control programmed in the machine controller requires that it be told at what height of cut the machine is being operated and whether the machine is equipped with 5 or 8 blade reels. Refer to Selecting Clip Rate (Reel Speed), page 21.

When the machine is being operated in such a way as to allow the machine to control the reel speed to achieve the desired clip, the Reel Control light will not light. If the Reel Control light is illuminated, this indicates that the traction speed is too low or too high to allow the machine to achieve the desired clip.

LUBRICATION



CAUTION

Before servicing or making adjustments to the machine, stop engine and remove key from the switch.

GREASING BEARINGS AND BUSHINGS

(Fig. 44 – 50)

The machine has grease fittings that must be lubricated regularly with No. 2 General Purpose Lithium Base Grease. If machine is operated under normal conditions, lubricate all bearings and bushings after every 50 hours of operation. Lubricate bearings and bushings immediately after every washing, regardless of the interval listed.

1. The grease fitting locations and quantities are: Engine Drive shaft (2), (Fig. 44); Cutting unit carrier frame and pivot (2 ea.), (Fig. 45); Lift arm pivots (5), Drive shaft clutch (1) (Fig. 46); Rear axle tie rod (2), Steering cylinder ball joints (2), Rear axle pivot (1) (Fig. 45); Traction control linkage at transmission (1), Drive shaft support bearing (1), Rear axle drive shaft (3) (Fig. 48), Brake pedal (1) (Fig. 49) and Lift cylinders (5) (Fig. 50).

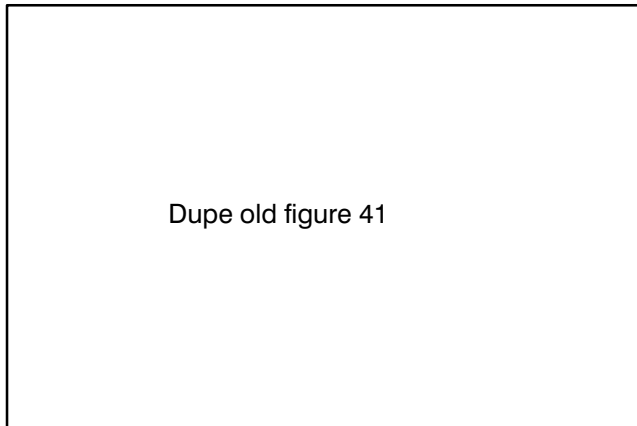


Figure 44

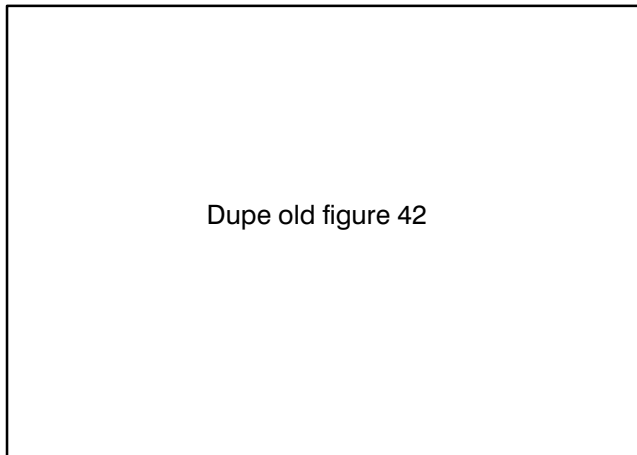


Figure 45

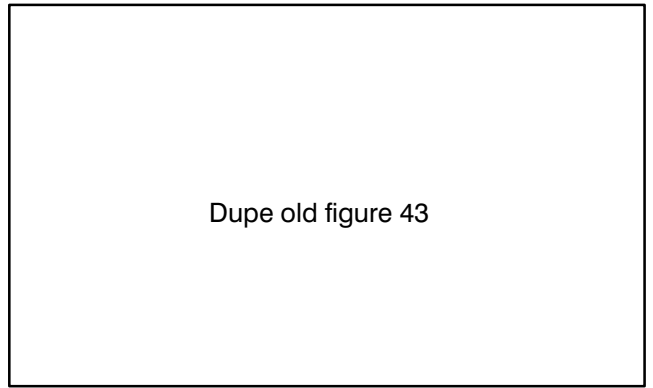


Figure 46

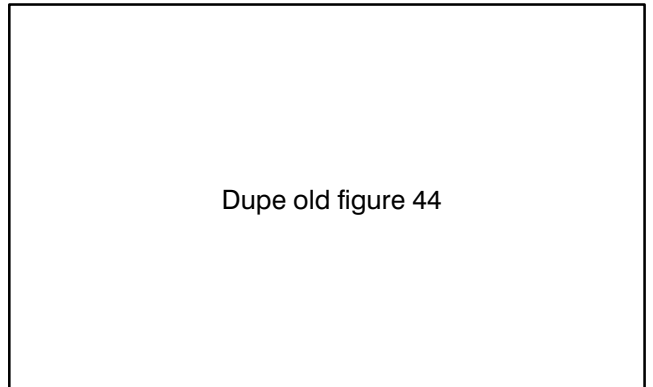


Figure 47

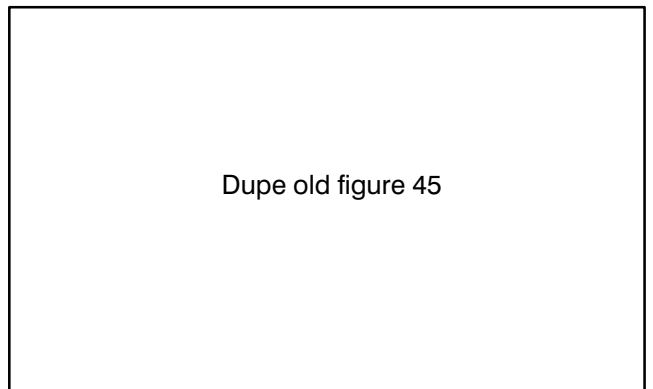


Figure 48

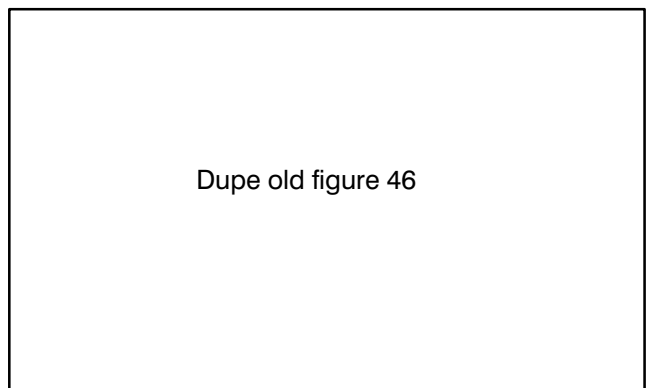


Figure 49

DAILY MAINTENANCE CHART AND CHECKLIST

Daily Maintenance: (duplicate this page for routine use)

Check proper section of Operator's Manual for fluid specifications

Maintenance Check Item ▼	Daily Maintenance Check For Week Of _____						
	MON	TUES	WED	THURS	FRI	SAT	SUN
✓ Safety Interlock Operation							
✓ Brake Operation							
✓ Engine Oil & Fuel Level							
✓ Cooling System Fluid Level							
Drain Water/Fuel Separator							
✓ Air Filter/Pre-cleaner Condition							
✓ Radiator and Screen for Debris							
✓ Unusual Engine Noises ¹							
✓ Unusual Operating Noises							
✓ Transmission Oil Level							
✓ Hydraulic System Oil Level							
✓ Hydraulic Filter Indicator ²							
✓ Hydraulic Hoses for Damage							
✓ Fluid Leaks							
✓ Tire Pressure							
✓ Instrument Operations							
✓ Reel-to-Bedknife Adjustment							
✓ Height-of-Cut Adjustment							
✓ Cutting Units Shear Pin							
Lubricate All Grease Fittings ³							
Touch-up Damaged Paint							

¹= Check glow plugs and injector nozzles, if excess smoke or rough running is noted.

²= Check with engine running and oil at operating temperature.

³= Immediately after every washing, regardless of the interval listed.

Notation for areas of concern: Inspection performed by _____

Item	Date	Information
1		
2		
3		
4		
5		
6		
7		
8		

AIR CLEANER MAINTENANCE



CAUTION

Before servicing or making adjustments to the machine, stop engine and remove key from the switch.

GENERAL MAINTENANCE PRACTICES

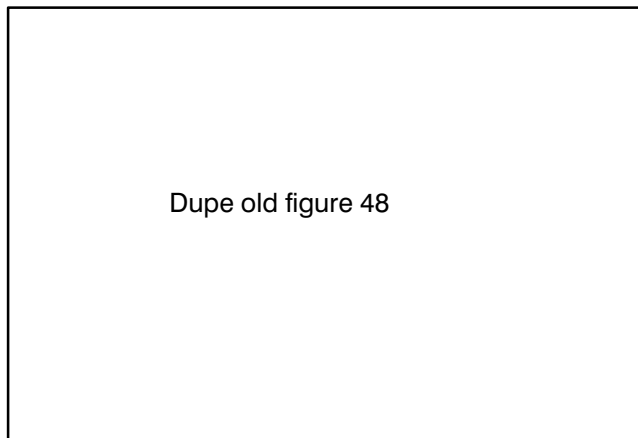
Inspect air cleaner and hose periodically to maintain maximum engine protection and to ensure maximum service life.

1. Check air cleaner body for dents and other damage which could possibly cause an air leak. Replace a damaged air cleaner body.
2. Be sure dust cup is sealing around air cleaner body.

SERVICING PRECLEANER BOWL (Fig. 51)

Normally, inspect precleaner bowl daily. When conditions are extremely dusty and dirty, inspect more frequently. Do not let dust or debris build up above level marks on precleaner bowl.

1. Remove thumb screw, separate cover from precleaner bowl.



Dupe old figure 48

Figure 51

1. Pre Cleaner Bowl

2. Empty precleaner bowl and wipe clean.
3. Assemble and install precleaner bowl, cover and thumb screw.

Note: When operating machine in extremely dusty conditions, an optional extension tube (Toro Part No. 43-3810), which raises precleaner bowl above hood, thus, lengthening the time between precleaner bowl servicing, is available from your local authorized Toro Distributor.

SERVICING DUST CUP AND BAFFLE

(Fig. 52)

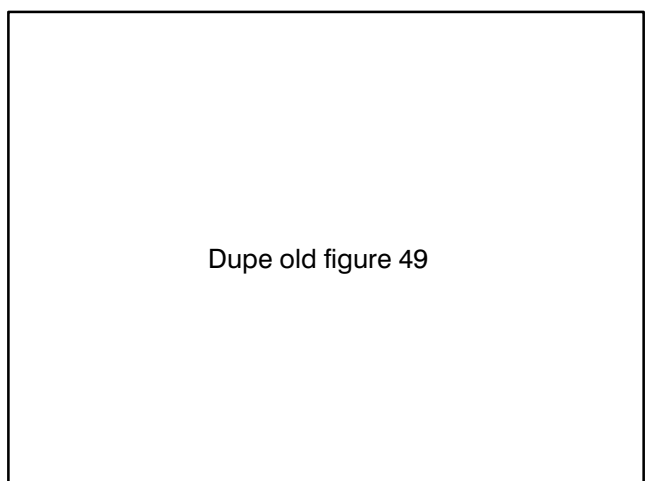
Inspect the dust cup and rubber baffle once a week or every 50 hours operation. However, daily or more frequent inspection is required when operating conditions are extremely dusty and dirty. Never allow dust to build up closer than one inch from the rubber baffle.

1. Loosen thumb screw until dust cup and baffle can be removed. Separate dust cup and baffle.
2. Dump dust out of the dust cup. After cleaning cup and baffle, assemble and reinstall both parts.

SERVICING AIR CLEANER FILTER (Fig. 52)

Service the air cleaner filter every 400 hours or more frequently in extreme dusty or dirty conditions by washing or using compressed air. Replace the element after every four cleanings (1600 hours) or annually, whichever comes first.

1. Remove and service dust cup; refer to Servicing Dust Cup and Baffle.
2. Remove wing nut w/gasket and slide filter element out of air cleaner body.
3. Clean the element by washing it in a solution of filter cleaner (Toro Part No. 27-7220) and water, or blow dirt out of filter by using compressed air.



Dupe old figure 49

Figure 52

1. Dust Cup & Baffle 3. Air Cleaner Body
2. Filter Element

Note: Compressed air is recommended when element must be used immediately after servicing because a washed element must be dried before it is used. By comparison, washing the element cleans better than blowing dirt out with compressed air. Remember, though, filter must be washed when exhaust soot is lodged in the filter pores.

AIR CLEANER MAINTENANCE

Washing Method

IMPORTANT: Do not remove plastic fin assembly because washing removes dust from beneath fins.

A. Prepare a solution of filter cleaner and water and soak filter element about 15 minutes. Refer to directions on filter cleaner carton for complete information.

B. After soaking filter for 15 minutes, rinse it with clear water. Maximum water pressure must not exceed 40 psi to prevent damage to the filter element.

C. Dry filter element using warm, flowing air (160°F) max), or allow element to air-dry. Do not use compressed air or a light bulb to dry the filter element because damage could result.

Compressed Air Method

IMPORTANT: Do not remove plastic fin assembly because back-blowing with compressed air removes dust from beneath fins.

A. Blow compressed air from inside to the outside of dry filter element. Do not exceed 100 psi to prevent damage to the element.

B. Keep air hose nozzle at least one inch from pleated paper, and move nozzle up and down while rotating the filter element. Inspect element when dust and dirt are removed; refer to Inspecting Filter Element.

4. Wipe inside of air cleaner body with a damp cloth to remove excess dust. Slide filter into air cleaner body and secure it in place with wing nut and gasket.

5. Reinstall dust cup and baffle. Move thumb screw behind air cleaner body and tighten it securely.

INSPECTING FILTER ELEMENT

1. Place bright light inside filter.

2. Rotate filter slowly while checking for cleanliness, ruptures, holes, and tears. Replace defective filter element.

3. Check fin assembly, gasket, and screen for damage. Replace filter if damage is evident.

ENGINE MAINTENANCE



ENGINE OIL AND FILTER (Fig. 53 & 54)

Change oil and filter initially after the first 50 hours of operation, thereafter change oil every 50 hours and filter every 100 hours.

1. Remove drain plug and let oil flow into drain pan. When oil stops, install drain plug.

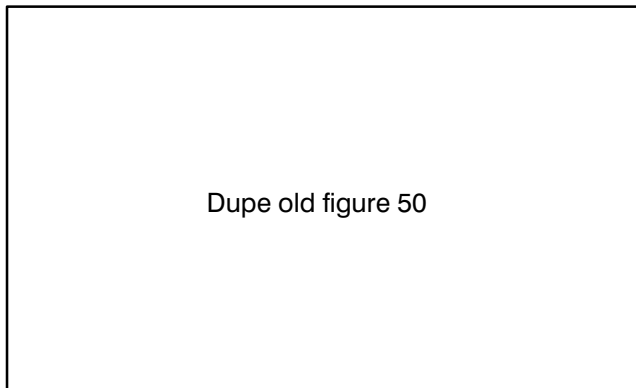


Figure 53

1. Engine Oil Drain Plug

2. Remove oil filter. Apply a light coat of clean oil to the new filter seal before screwing it on. DO NOT OVER-TIGHTEN.

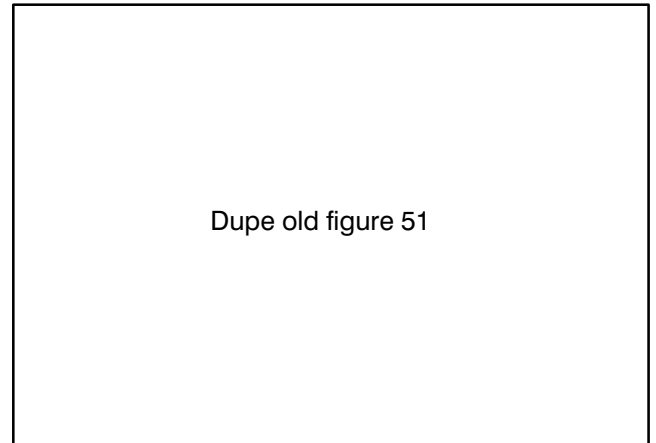


Figure 54
1. Engine Oil Filter

3. Add oil to crankcase, refer to Check Engine Oil.

FUEL SYSTEM (Fig. 55)

Fuel Tank

Drain and clean fuel tank every 2 years. Also, drain and clean tank if fuel system becomes contaminated or if machine is to be stored for an extended period. Use clean fuel to flush out the tank.

Fuel Lines and Connections

Check lines and connections every 400 hours or yearly, whichever comes first. Inspect for deterioration, damage, or loose connections.

ENGINE MAINTENANCE



CAUTION

Before servicing or making adjustments to the machine, stop engine and remove key from the switch.

Fuel Filter / Water Separator

Drain water or other contaminants from fuel filter / water separator (Fig. 55) daily.

1. Locate fuel filter, under hydraulic tank, and place a clean container under it.
2. Loosen drain plug on bottom of filter canister. Tighten plug after draining.

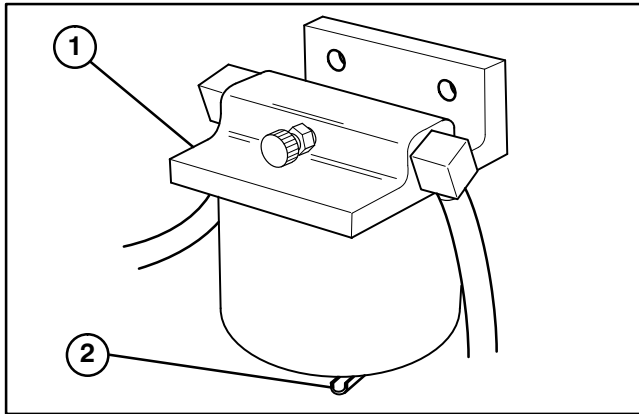


Figure 55

1. Fuel Filter / Water Separator
2. Drain Plug

Replace filter canister after every 400 hours of operation.

1. Clean area where filter canister mounts.
2. Remove filter canister and clean mounting surface.
3. Lubricate gasket on filter canister with clean oil.
4. Install filter canister by hand until gasket contacts mounting surface, then rotate an additional 1/2 turn.

Fuel Pump Filter

Remove and replace the fuel pump filter after every 400 hours operation.

1. Fuel pump (Fig. 56) is located on inside of left frame channel below tool box.

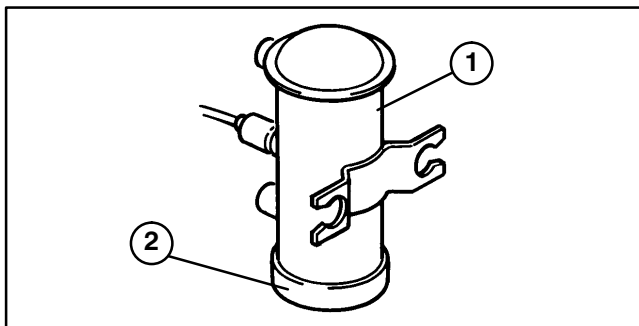


Figure 56

1. Fuel Pump
2. Cover

2. Thoroughly clean this area and outside of filter assembly.

3. Place a drain pan under fuel pump and remove cover from bottom of fuel pump. Take care not to damage wire while removing cover.

4. Pull filter out of pump body.

5. If filter is to be cleaned, wash thoroughly in cleaning solvent and blow compressed air from inside toward outside of element. Hold air nozzle at least one inch from filter and move up and down while rotating filter. Do not exceed 100 psi to avoid filter damage.

Note: Replace the filter if there is any visible dirt which cannot be washed out.

6. Inspect the (2) rubber gaskets; replace them if damaged.

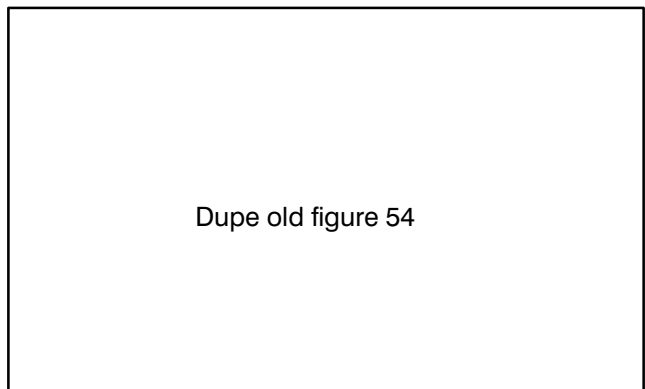
7. Clean the cover magnet of any residue, insert filter into body and install cover.

8. Bleed the fuel system.

BLEEDING AIR FROM INJECTORS (Fig. 57)

Note: This procedure should be used only if fuel system has been purged of air through normal priming procedures and engine will not start; refer to Bleeding Fuel System.

1. Loosen the pipe connection to the No. 1 nozzle and holder assembly.



Dupe old figure 54

Figure 57

1. Fuel Injectors (3)

2. Move throttle to FAST position.

3. Turn key in key switch to START position and watch fuel flow around connector. Turn key to OFF position when solid flow is observed.

4. Tighten pipe connector securely.

5. Repeat steps on remaining nozzles.

ENGINE MAINTENANCE



CAUTION

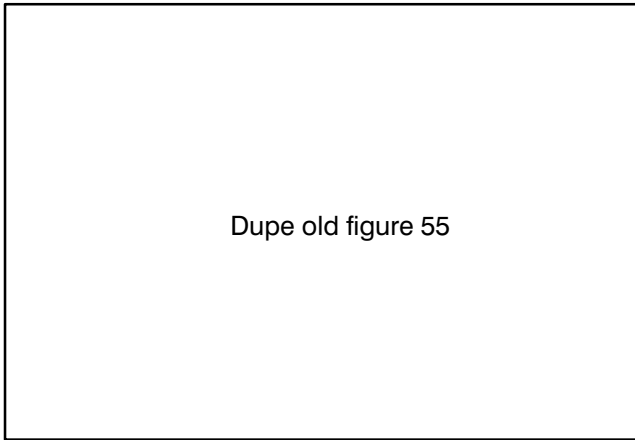
Before servicing or making adjustments to the machine, stop engine and remove key from the switch.

ENGINE COOLING SYSTEM (Fig. 58 & 59)

1. **Removing Debris** – Remove debris from screen, oil coolers and radiator daily, clean more frequently in dirty conditions.

A. Turn engine off and raise hood. Clean engine area thoroughly of all debris.

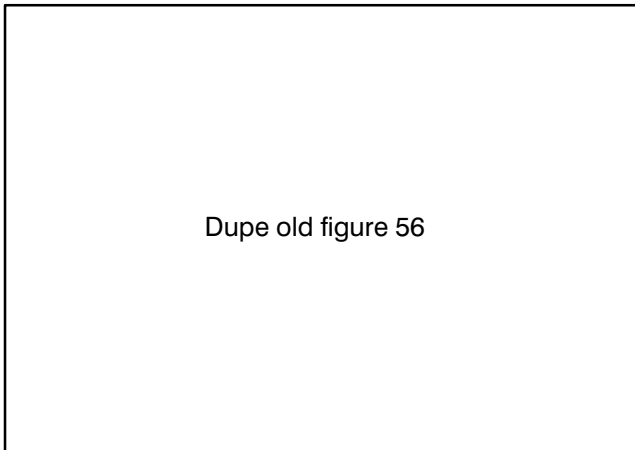
B. Loosen clamps and pull up on screen to slide it out of mounting tracks. Clean screen thoroughly with water or compressed air.



Dupe old figure 55

Figure 58
1. Screen

C. Slightly raise oil coolers and pivot forward. Clean both sides of oil coolers and radiator area thoroughly with water or compressed air. Pivot oil coolers back into position.



Dupe old figure 56

Figure 59

1. Reel Oil Cooler 2. Radiator 3. Transmission Oil Cooler

D. Install screen and close hood.

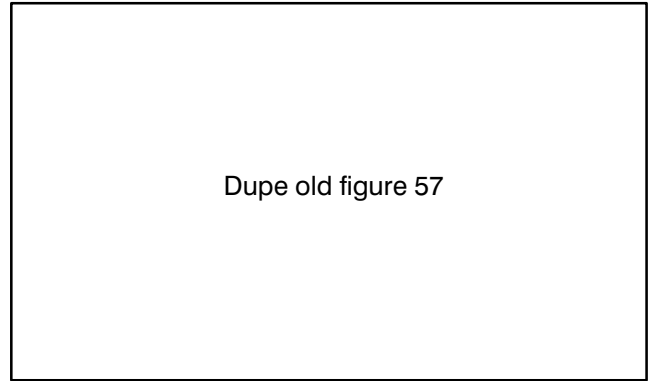
SERVICING ENGINE BELTS (Fig. 60 & 61)

Check condition and tension of all belts after first day of operation and every 100 operating hours thereafter.

Alternator Belt (Fig. 60)

To Check Tension:

1. Open hood.
2. Check tension by depressing belt midway between alternator and crankshaft pulleys with 22 lb. of force. Belt should deflect 7/16 in. If deflection is incorrect, proceed to step 3. If correct, continue operation.



Dupe old figure 57

Figure 60

1. Alternator Belt

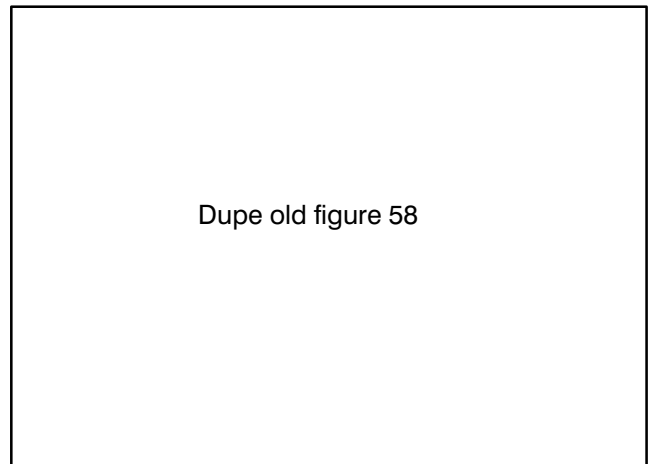
3. Loosen bolt securing brace to engine and bolt securing alternator to brace (Fig. 60).

4. Insert pry bar between alternator and engine and pry out on alternator.

5. When proper tension is achieved, tighten alternator and brace bolts to secure adjustment.

Cooling Fan Belt (Fig. 61)

1. Loosen lock nut on belt tensioner lever.



Dupe old figure 58

Figure 61

1. Cooling Fan Belt 2. Tensioner Lever

2. Apply 5 – 10 lb. of force at end of lever to set the proper tension on the fan belt.

3. Tighten lock nut to secure adjustment.

ENGINE MAINTENANCE



CAUTION

Before servicing or making adjustments to the machine, stop engine and remove key from the switch.

ADJUSTING THROTTLE (Fig. 62)

1. Position throttle lever forward so it stops against seat base slot.
2. Loosen the throttle cable connector on the lever arm at the injection pump.
3. Hold the injection pump lever arm against the high idle stop and tighten the cable connector.

Note: When tightened, the cable connector must be free to swivel.

4. Torque the lock nut, used to set the friction device on the throttle lever, to 40 – 55 in. lb. The maximum

force required to operate the throttle lever should be 20 lb.

Dupe old figure 59

Figure 62

1. Injection Pump Lever Arm

HYDRAULIC MAINTENANCE



CAUTION

Before servicing or making adjustments to the machine, stop engine and remove key from the switch.

CHANGING HYDRAULIC FLUID (Fig. 63)

Change hydraulic fluid after every 800 operating hours, in normal conditions. If fluid becomes contaminated, contact your local TORO distributor because the system must be flushed. Contaminated fluid looks milky or black when compared to clean oil.

1. Turn engine off and raise hood.
2. Remove drain plug from bottom of reservoir and let hydraulic fluid flow into drain pan. Reinstall and tighten plug when hydraulic fluid stops draining.

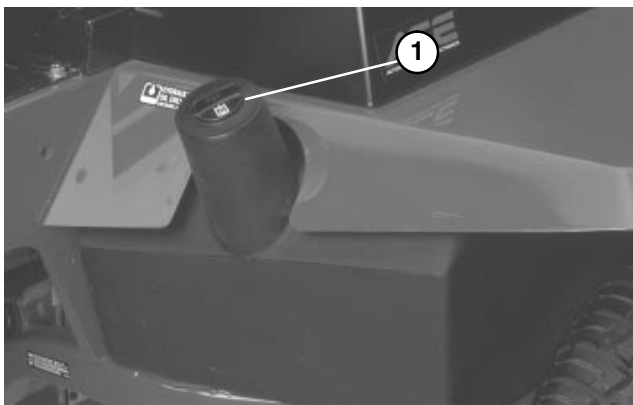


Figure 63

1. Hydraulic Reservoir

3. Fill reservoir with approximately 8.5 gallons of hydraulic fluid. Refer to Checking Hydraulic Fluid.

IMPORTANT: Use only hydraulic fluids specified. Other fluids could cause system damage.

4. Install reservoir cap. Start engine and use all hydraulic controls to distribute hydraulic fluid throughout the system. Also check for leaks. Then stop the engine.

5. Check level of fluid and add enough to raise level to FULL mark on dipstick. DO NOT OVER FILL.

REPLACING HYDRAULIC FILTER (Fig. 64)

The hydraulic system filter head is equipped with a service interval indicator. With the engine running, view the indicator, it should be in the GREEN zone. When the indicator is in the RED zone, the filter element should be changed.

Use the Toro replacement filter (Part No. 75–1310).

IMPORTANT: Use of any other filter may void the warranty on some components.

1. Position machine on a level surface, lower the cutting units, stop the engine, engage the parking brakes and remove key from ignition switch.

2. Clean area around filter mounting area. Place drain pan under filter and remove filter.

HYDRAULIC MAINTENANCE

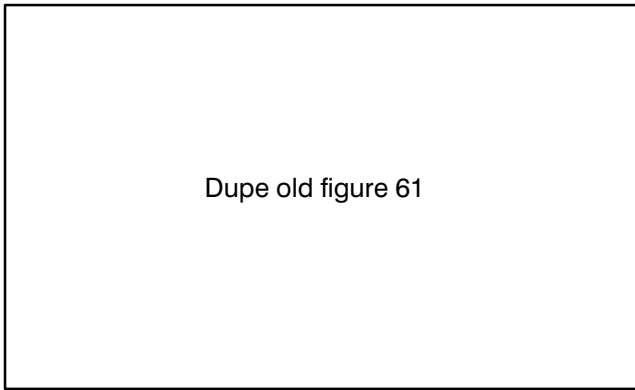


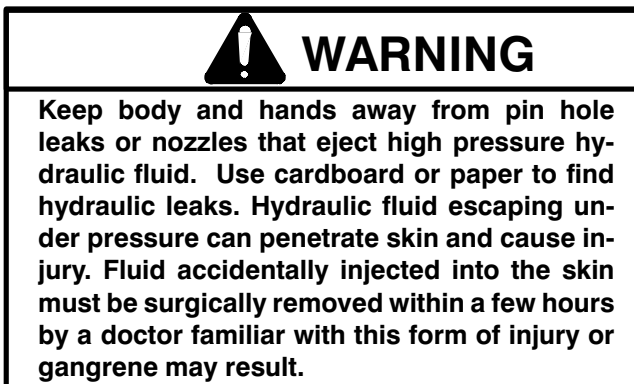
Figure 64
1. Hydraulic Filter

3. Lubricate new filter gasket and fill the filter with hydraulic fluid.
4. Assure filter mounting area is clean. Screw filter on until gasket contacts mounting plate. Then tighten filter one-half turn.
5. Start engine and let run for about two minutes to purge air from the system. Stop the engine and check for leaks.



CHECKING HYDRAULIC LINES AND HOSES

Daily, check hydraulic lines and hoses for leaks, kinked lines, loose mounting supports, wear, loose fittings, weather deterioration and chemical deterioration. Make all necessary repairs before operating.



HYDRAULIC SYSTEM TEST PORTS (Fig. 65)

The test ports are used to test pressure in the hydraulic circuits. Contact your local Toro distributor for assistance.

1. Test Port #1 is used to assist in trouble shooting the hydraulic circuit for the front cutting units and lift cylinders.

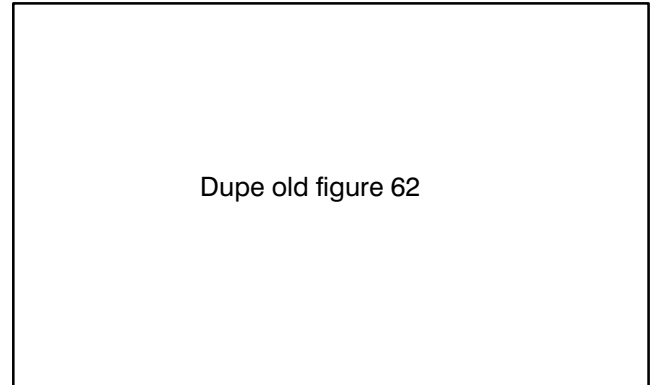


Figure 65
1. Test Port #1
2. Test Port #2
3. Test Port #3 (Not Shown)

2. Test Port #2 is used to assist in trouble shooting the hydraulic circuit for the rear cutting units.
3. Test Port #3 is located on the rear of the hydrostatic transmission and is used to measure the charge pressure of the transmission.

ADJUSTING TRACTION DRIVE FOR NEUTRAL (Fig. 66)

The machine must not creep when traction pedal is released. If it does creep, an adjustment is required.

1. Park machine on a level surface, shut engine off and lower cutting units to the floor. Depress only the right brake pedal and engage the parking brake.
2. Jack up left side of machine until front tire is off the shop floor. Support machine with jack stands to prevent it from falling accidentally.

NOTE: On 4 wheel drive models, left rear tire must also be off the shop floor or 4 wheel drive driveshaft must be removed.

3. Under right side of machine, loosen locknut on traction adjustment cam.

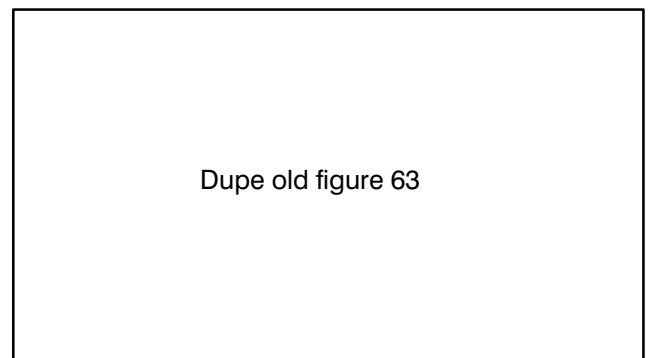


Figure 66
1. Traction Adjustment Cam

HYDRAULIC MAINTENANCE



WARNING

Engine must be running so final adjustment of the traction adjustment cam can be performed. To guard against possible personal injury, keep hands, feet, face and other parts of the body away from the muffler, other hot parts of the engine, and other rotating parts.

4. Start engine and rotate cam hex in either direction until wheel ceases rotation.
5. Tighten locknut securing adjustment.
6. Stop the engine and release the right brake. Remove jack stands and lower the machine to the shop floor. Test drive the machine to make sure it does not creep.



CAUTION

Before servicing or making adjustments to the machine, stop engine and remove key from the switch.

ADJUSTING CUTTING UNIT LIFT RATE

(Fig. 67 & 68)

The cutting unit lift circuit is equipped with (3) adjustable valves used to ensure the cutting units do not raise too quickly and bang against lift stops. Adjust cutting units as follows:

Center Cutting Unit

1. Locate valve behind access panel above operator's platform.

Dupe old figure 64

Figure 67

1. Center cutting unit adjustment valve

2. Loosen setscrew on valve and rotate valve approximately 1/2 turn clockwise.

3. Verify lift rate adjustment by raising and lowering cutting unit several times. Readjust as required.
4. After desired lift rate is attained, tighten setscrew to lock adjustment.

Outside Front Cutting Units

1. Locate valve on left front lift cylinder (under foot rest).
2. Loosen setscrew on valve. Rotate valve 1/2 turn clockwise.
3. Verify lift rate adjustment by raising and lowering cutting units several times. Readjust as required.
4. After desired lift rate is attained, tighten set screw to lock adjustment.

Rear Cutting Units

1. Raise hood and locate valve on left rear side of machine.

Dupe old figure 65

Figure 68

1. Rear cutting units adjustment valve

2. Loosen setscrew on valve and rotate valve approximately 1/2 turn clockwise.
3. Verify lift rate adjustment by raising and lowering cutting units several times. Readjust as required.
4. After desired lift rate is attained, tighten setscrew to lock adjustment.

CHECKING AND ADJUSTING TRACTION LINKAGE (Fig. 69)

Due to normal wear in the control linkage and hydrostatic transmission, an increased amount of force may be required to return the transmissions to neutral. Periodically check the machine.

To Check Traction Linkage

1. On a large, flat open area, drive the machine at full throttle and full traction speed.
2. Remove foot from traction pedal and measure the distance required for the machine to come to a stop.

HYDRAULIC MAINTENANCE

3. If the distance required to stop is greater than 18 feet (5.5 meters) an adjustment to the traction linkage is required. Proceed to next step.

To Adjust Traction Linkage

1. Park machine on a level surface, lower cutting units to the floor and shut engine off.
2. Connect brake pedals together with locking pin, push both pedals down and pull parking brake latch out.
3. Loosen outer hex nut securing eye bolt to spring anchor plate.
4. Rotate, clockwise, until distance between inside of eye bolt loop and inside of spring anchor plate is shortened 1/8", as shown in figure 69. Tighten hex nut.
5. Operate the machine and check stopping distance. Repeat procedure if required.

Note: Shortening the distance between inside of eye bolt loop and inside of spring anchor plate increases the pedal force on the traction pedal. Therefore, do not over adjust.



CAUTION

Before servicing or making adjustments to the machine, stop engine and remove key from the switch.

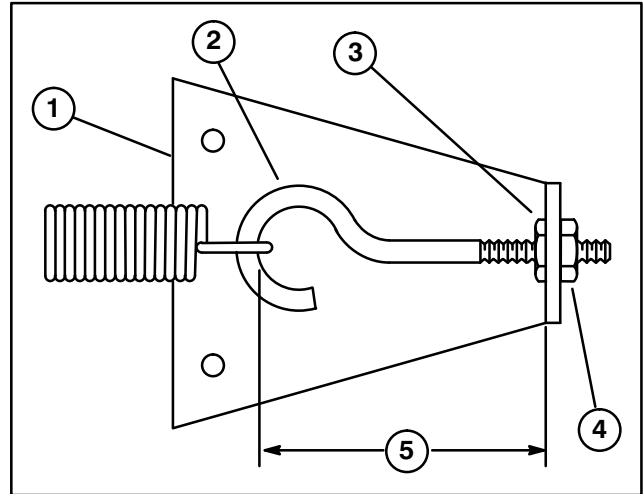


Figure 69

- | | |
|------------------------|---------------------------------------------------------------|
| 1. Spring Anchor Plate | 5. Shorten distance to decrease time required to stop machine |
| 2. Eye bolt | |
| 3. Inner locknut | |
| 4. Outer locknut | |

BRAKE MAINTENANCE

ADJUSTING SERVICE BRAKES (Fig. 70)

Adjust the service brakes when there is more than 1 inch of "free travel" of the brake pedal, or when the brakes do not work effectively. Free travel is the distance the brake pedal moves before braking resistance is felt.

1. Disengage locking pin from brake pedals so both pedals work independently of each other.
2. To reduce free travel of brake pedals, tighten the brakes – loosen front nut on threaded end of brake cable. Then tighten rear nut to move cable backward until brake pedals have 1/2 to 1 inch of free travel. Tighten front nuts after brakes are adjusted correctly.

Dupe old figure 67

Figure 70

1. Brake Cables

AXLE MAINTENANCE



CAUTION

Before servicing or making adjustments to the machine, stop engine and remove key from the switch.

CHANGING TRANSMISSION FLUID (Fig. 71)

Change the transmission fluid after every 800 hours of operation, in normal conditions.

1. Position machine on a level surface, lower the cutting units, stop the engine, engage the parking brakes and remove key from ignition switch.
2. Clean area around suction line on bottom of transmission. Place drain pan under line.

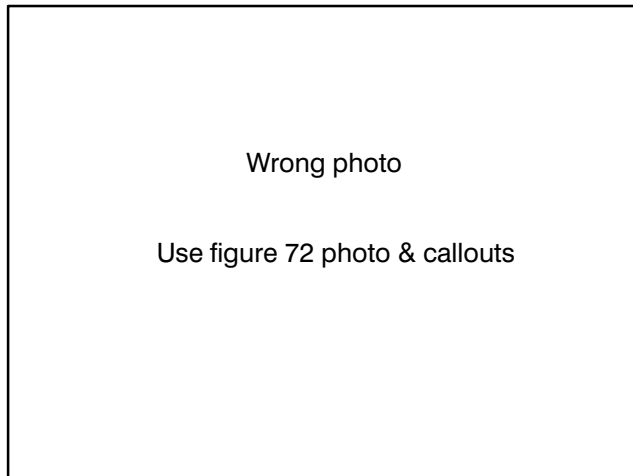


Figure 71

1. Transmission Suction Line
2. Transmission Oil Filter

3. Remove line from transmission allowing fluid to drain into drain pan.
4. Reinstall suction line to transmission.
5. Fill with oil; refer to Check Transmission Fluid.
6. Before starting the engine after changing transmission fluid, disconnect the run (ETR) solenoid on the engine, and crank the engine several times for 15 seconds. This allows the charge pump to fill the transmission with fluid before the engine is started.

REPLACING TRANSMISSION FILTER

(Fig. 71)

Change the transmission filter after the first 10 hours of operation and every 800 hours, thereafter.

Only the Toro replacement filter (Part No.75-1330) can be used in the hydraulic system.

IMPORTANT: Use of any other filter may void the warranty on some components.

1. Position machine on a level surface, lower the cutting units, stop the engine, engage the parking brakes and remove key from ignition switch.
2. Clean area around filter mounting area. Place drain pan under filter and remove filter.
3. Lubricate new filter gasket and fill the filter with hydraulic oil.
4. Assure filter mounting area is clean. Screw filter on until gasket contacts mounting plate. Then tighten filter one-half turn.
5. Start engine and let run for about two minutes to purge air from the system. Stop the engine and check for leaks. Check fluid level and replenish if necessary.

CHANGING REAR AXLE LUBRICANT

(Fig. 72) (Model 03531 only)

After every 800 hours of operation the oil in the rear axle must be changed.

1. Position machine on a level surface.
2. Clean area around the (3) drain plugs, (1) on each end and (1) in the center.

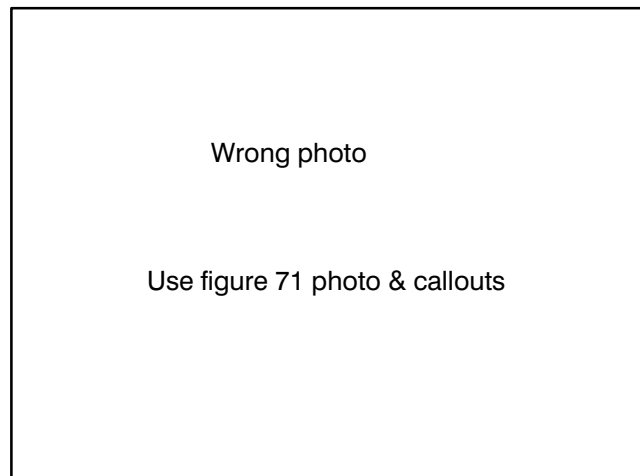


Figure 72

1. Drain Plugs (3)

3. Remove plugs allowing oil to drain into drain pans.
4. **After oil is drained, apply thread locking compound on drain plug threads and reinstall in axle.**
5. Fill axle with lubricant; refer to Check Rear Axle Lubricant, page 17.

REAR WHEEL TOE-IN (Fig. 73)

After every 800 operating hours or annually, check rear wheel toe-in.

1. Measure center-to-center distance (at axle height) at front and rear of steering tires. Front measurement must be 1/8 in. less than rear measurement.

AXLE MAINTENANCE

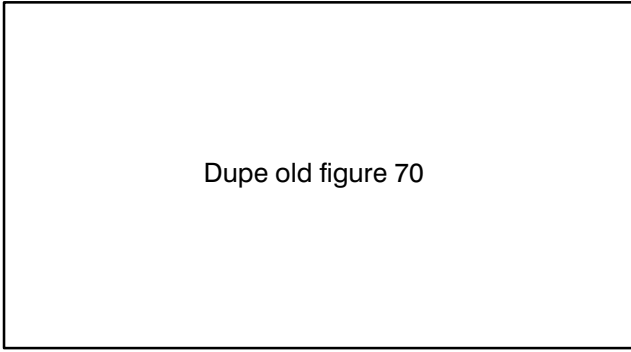



Figure 73
1. Tie Rod(s)

2. To adjust, loosen clamps at both ends of tie rod.
3. Rotate tie rod(s) to move front of tire inward or outward.
4. Tighten tie rod clamps when adjustment is correct.

ELECTRICAL MAINTENANCE

BATTERY CARE

IMPORTANT: Before welding on the machine, disconnect both cables from the battery, disconnect both wire harness plugs from the electronic control unit and the terminal connector from the alternator to prevent damage to the electrical system.



CAUTION

Wear safety goggles and rubber gloves when working with electrolyte. Charge the battery in a well ventilated so gases produced while charging can dissipate. Since the gases are explosive, keep open flame and electrical spark away from the battery; do not smoke. Nausea may result if the gases are inhaled. Unplug charger from electrical outlet before connecting to, or disconnecting charger leads from battery posts.

Note: Check battery condition weekly or after every 50 hours of operation. Keep terminals and entire battery case clean because a dirty battery will discharge slowly. To clean the battery, wash the entire case with solution of baking soda and water. Rinse with clear water. Coat the battery posts and cable connectors with Grafo 112X (skin-over) grease (Toro Part No. 505-47) or petroleum jelly to prevent corrosion.

FUSES (Fig. 74)

There are 4 fuses in the machines electrical system. They are located below control panel.



Figure 74

IMPORTANT
USE CORRECT FUSES.
WRONG FUSES CAN CAUSE
DAMAGE TO CONTROLLER
AND VOID WARRANTY.

CONTROLLER
LOGIC

4A

ACCESSORY
POWER

7.5A

OPTIONAL
LIGHTS

10A

OPEN

CONTROLLER
POWER

10A

IGNITION
SWITCH

20A

CONTROLLER
POWER

10A

CONTROLLER
POWER

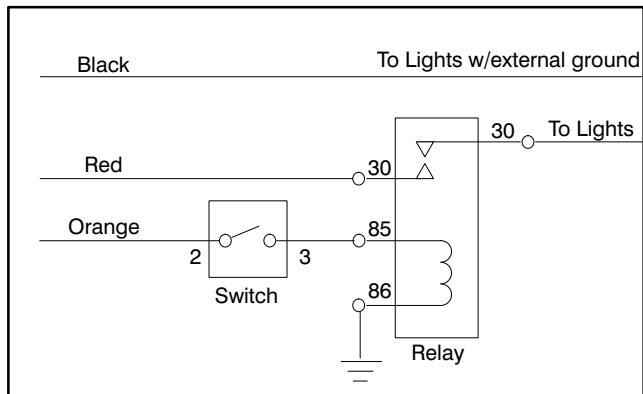
10A

94-6766

OPTIONAL LIGHTING

IMPORTANT: If optional lighting is be added to the traction unit, use the following schematic and part numbers to prevent damage to the traction units electrical system.

SCHEMATIC FOR OPTIONAL LIGHTING



Switch*

Toro Part No. 75-1010
Honeywell Part No. 1TL1-2

Relay

Toro Part No. 70-1480
Bosch Part No. 0-332-204

Black, red and orange wires are located in control console.

Add 10 Amp fuse to fuse block at location shown

* Punch out in control panel provided for switch installation

CUTTING UNIT MAINTENANCE

BACKLAPPING



Note: When backlapping, the front units all operate together, and the rear units operate together.

1. Position the machine on a level surface, lower the cutting units, stop the engine, engage the parking brake, and move the Enable/Disable switch to disable position.
2. Unlock and raise the seat to expose controls.
3. Open control cover and turn the H.O.C. selection knob to position "P".

Note: Backlapping speed may be increased by moving the H.O.C. selection knob toward to "A". Each position will increase speed 50 rpm. After changing selector, wait 30 seconds for the system to respond to the new speed target.

4. Make initial reel to bedknife adjustments appropriate for backlapping on all cutting units which are to be backlapped.
5. Start engine and run at idle speed.

DANGER: To avoid personal injury, never place hands or feet in reel area while engine is running. Changing engine speed while backlapping may cause reels to stall. Never change engine speed while backlapping. Only backlap at idle engine speed. Never attempt to turn reels by hand or foot while engine is running.

6. Select either front or rear on the backlap switch to determine whether front or rear reels will be backlapped.

DANGER: To avoid personal injury, be certain that you are clear of the cutting units before proceeding.

7. Move Enable/Disable switch to Enable position. Move Lower Mow / Lift control forward to start back-lapping operation on designated reels.

8. Apply lapping compound with the long handle brush supplied with machine. Never use a short handled brush.

9. If reels stall or become erratic while backlapping, the reel control light will begin to blink and the reels will turn off. If this occurs, turn the H.O.C. selection knob one position closer to "A". Then, toggle the Enable/Disable switch to the disable position followed by the enable position. To resume backlapping, move the Lower Mow / Lift control lever forward.

10. To make an adjustment to the cutting units while backlapping, turn reels OFF by moving the Lower Mow/Raise lever rearward; move the Enable/Disable switch to Disable and turn the engine OFF. After adjustments have been completed, repeat steps 5 – 9.

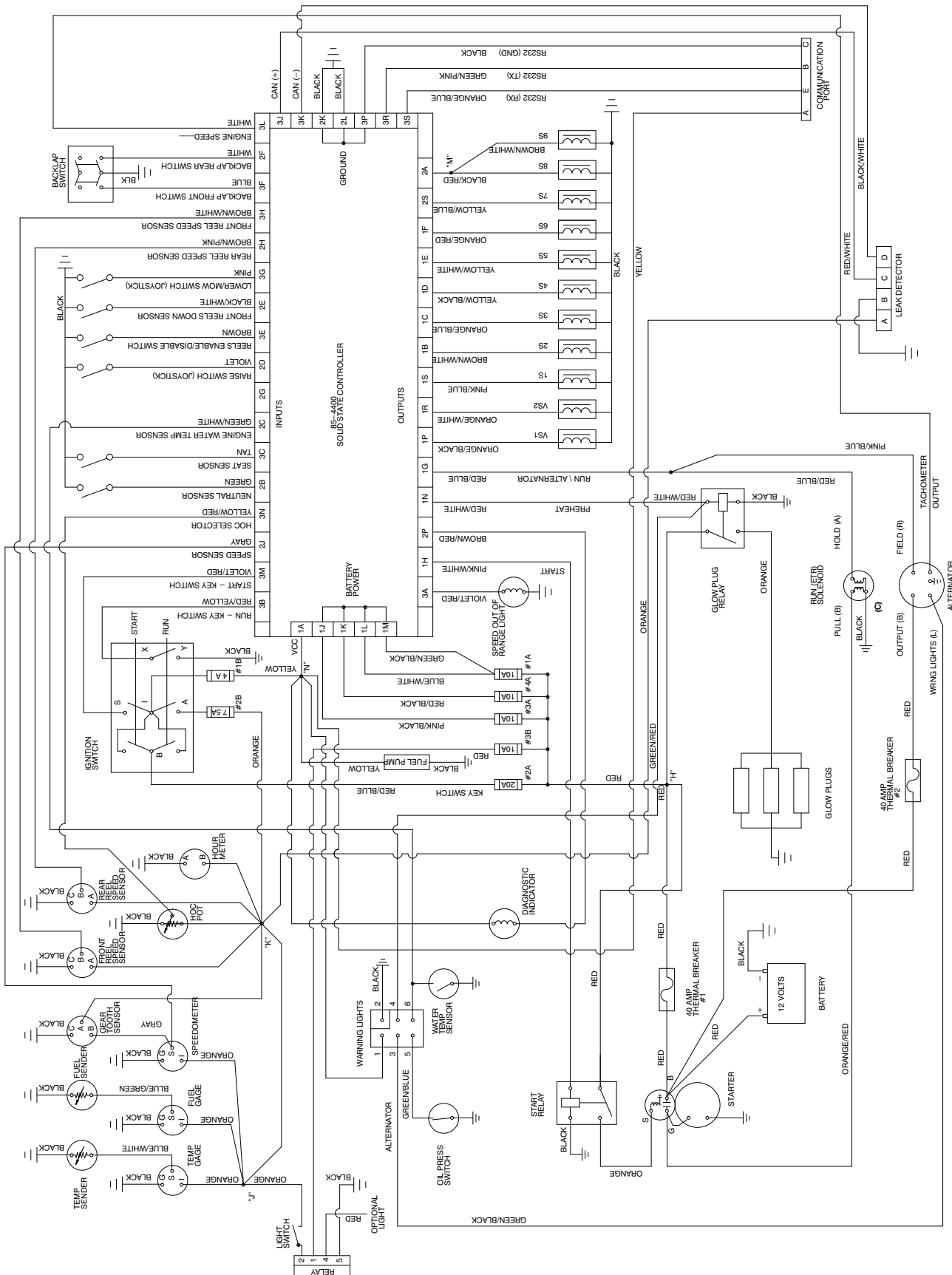
11. Repeat procedure for all cutting units to be backlapped.

12. When backlap operation has been completed, return the backlap switch to OFF, lower seat and tighten both locking bolts securely, and wash all lapping compound off cutting units. Adjust cutting unit reel to bedknife as needed.

IMPORTANT: If the backlap switch is not returned to OFF position after backlapping, the cutting units will not raise or function properly.

IMPORTANT: If the cutting units are removed for backlapping (such as when bedknives are changed) the reel speed sensors must be removed from the left front and left rear cutting units. Before backlapping, install and torque a 3/8" capscrew in the left end of the reel shaft with which to drive the reel when backlapping. DO NOT attempt to use the capscrew which attaches the magnet to drive the reel for backlapping, this capscrew must be torqued to a maximum of 5 ft-lb. to avoid damage to the magnet.

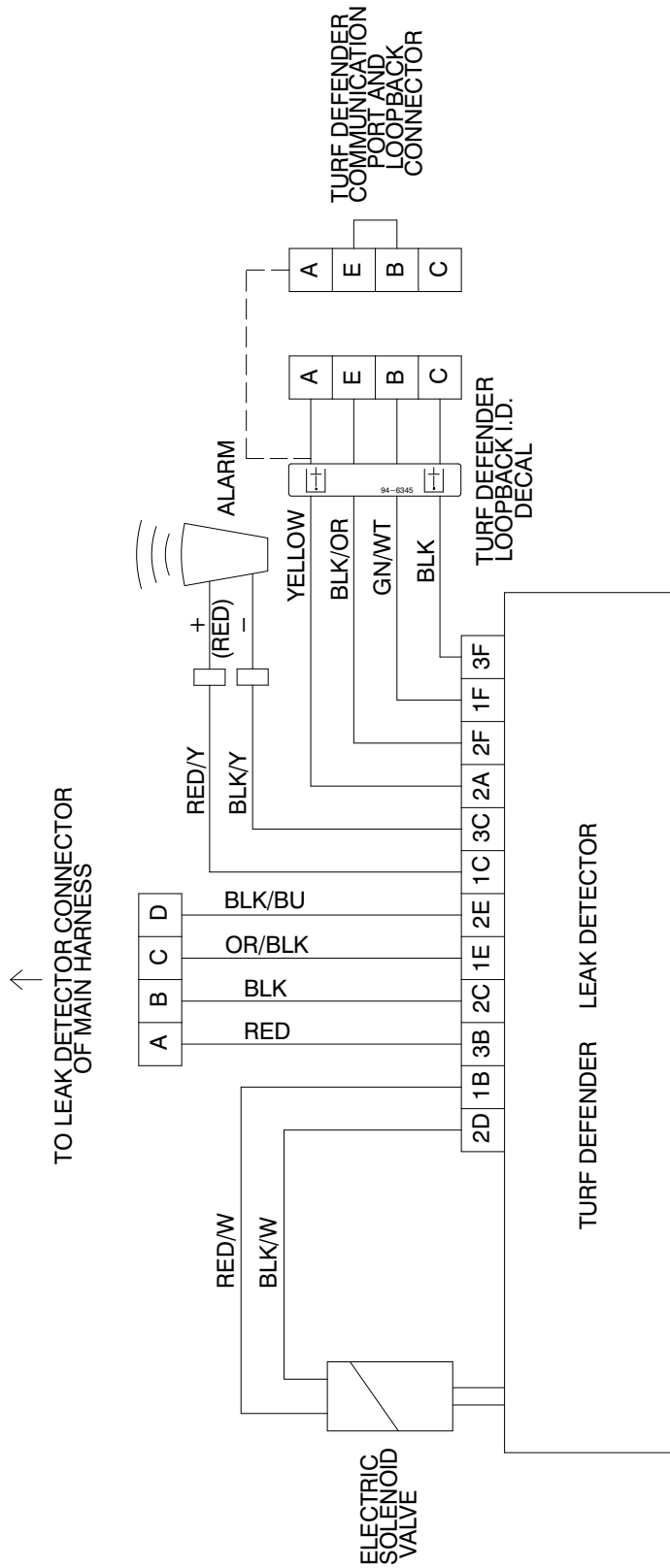
ELECTRICAL SCHEMATIC



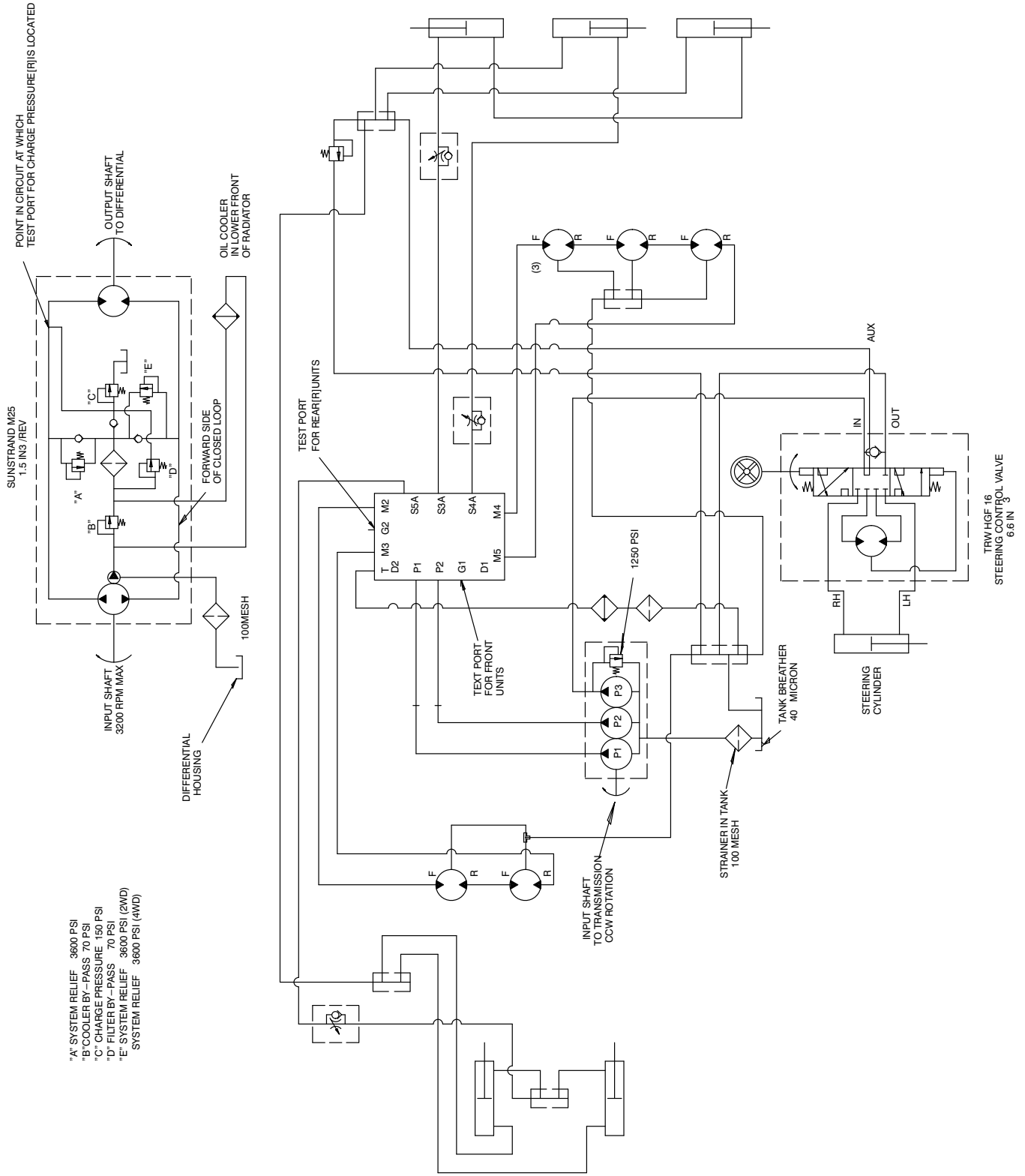
T-2314A

ELECTRICAL SCHEMATIC

(Leak Detector)



HYDRAULIC SCHEMATIC



PREPARATION FOR SEASONAL STORAGE

Traction Unit

1. Thoroughly clean the traction unit, cutting units and the engine.
2. Check the tire pressure. Inflate all traction unit tires to 15–20 psi.
3. Check all fasteners for looseness; tighten as necessary.
4. Grease or oil all grease fittings and pivot points. Wipe up any excess lubricant.
5. Lightly sand and use touch–up paint on painted areas that are scratched, chipped, or rusted. Repair any dents in the metal body.
6. Service the battery and cables as follows:
 - A. Remove the battery terminals from the battery posts.
 - B. Clean the battery, terminals, and posts with a wire brush and baking soda solution.
 - C. Coat the cable terminals and battery posts with Grafo 112X skin–over grease (Toro Part No. 505-47) or petroleum jelly to prevent corrosion.
 - D. Slowly recharge the battery every 60 days for 24 hours to prevent lead sulfation of the battery.

Engine

1. Drain the engine oil from the oil pan and replace the drain plug.
2. Remove and discard the oil filter. Install a new oil filter.
3. Refill oil pan with 4.0 quarts of SAE10W-30 motor oil.
4. Start the engine and run at idle speed for approximately two minutes.
5. Stop the engine.
6. Thoroughly drain all fuel from the fuel tank, lines and the fuel filter/water separator assembly.
7. Flush the fuel tank with fresh, clean diesel fuel.
8. Resecure all fuel system fittings.
9. Thoroughly clean and service the air cleaner assembly.
10. Seal the air cleaner inlet and the exhaust outlet with weatherproof tape.
11. Check anti–freeze protection and add as needed for expected minimum temperature in your area.

MAINTENANCE SCHEDULE

Minimum Recommended Maintenance Intervals

Maintenance Procedure	Maintenance Interval & Service				
<div style="border: 1px solid black; padding: 5px; margin-bottom: 5px;"> Check Battery Fluid Level Check Battery Cable Connections Lubricate All Grease Fittings Change Engine Oil Inspect Air Filter, Dust Cup and Baffle </div>	Every 50hrs	Every 100hrs	Every 200hrs	Every 400hrs	Every 800hrs
† Check Fan and Alternator Belt Tension ‡ Replace Engine Oil Filter Inspect Cooling System Hoses Drain Moisture—Hyd. Tank Drain Moisture—Fuel Tank Check Reel Bearing Preload † Torque Wheel Lug Nuts					
Service Air Filter Replace Electric Fuel Pump Filter Replace Fuel/Water Separator Filter Inspect Traction Linkage Movement ‡ Torque Head and Adjust Valves ‡ Check Engine RPM (idle and full throttle)					
Change Hydraulic Fluid † Change Transmission Fluid † Replace Transmission Filter Check Rear Wheel Toe—in Rear Axle Service –pack Rear Wheel Bearings (2WD) –change Rear Axle Lubricant (4WD)					
† Initial break in at 10 hours ‡ Initial break in at 50 hours					
Replace Moving Hoses Replace Safety Switches Coolant System – Flush/Replace Fluid Fuel Tank – Drain/Flush Hydraulic Tank – Drain/Flush					
			Annual Recommendations: <i>Items listed are recommended every 1600 hours or 2 years, whichever occurs first.</i>		

IDENTIFICATION AND ORDERING

MODEL AND SERIAL NUMBER

The model and serial number is on a plate that is mounted on the left side of footrest. Use model and serial number in all correspondence and when ordering parts.

To order replacement parts from an authorized TORO Distributor, supply the following information:

1. Model and serial numbers of the machine.
2. Part number, description and quantity of parts desired.

Note: Do not order by reference number if a parts catalog is being used; use the part number.

The Toro Commercial Products Two Year Limited Warranty

The Toro Company warrants your 1996 or newer Toro Commercial Product ("Product") purchased after January 1, 1997, to be free from defects in materials or workmanship for the period of time listed below. Where a warrantable condition exists, Toro will repair the Product at no cost to you including diagnosis, labor, parts, and transportation. This warranty begins on the date the Product is delivered to the original retail purchaser.

Warranty Duration: Two years or 1500 operational hours*, whichever occurs first.

***Product equipped with hour meter**

Owner Responsibilities:

As the Product owner, you are responsible for required maintenance and adjustments stated in your Owner's Manual. Failure to perform required maintenance and adjustments can be grounds for disallowing a warranty claim.

Instructions for Obtaining Warranty Service:

You are responsible for notifying the Commercial Products Distributor or Authorized Commercial Products Dealer from whom you purchased the Product as soon as you believe a warrantable condition exists.

If you need help locating a Commercial Products Distributor or Authorized Dealer, or if you have questions regarding your warranty rights or responsibilities, you may contact us at:

Toro Commercial Products Service Department
8111 Lyndale Avenue South
Minneapolis, MN, 55420-1196
Telephone: (612) 888-8801
Facsimile: (612) 887-8258
E-Mail: Commercial.Service@Toro.Com

Maintenance Parts:

Parts scheduled for replacement as required maintenance ("Maintenance Parts"), are warranted for the period of time up to the scheduled replacement time for that part.

Items/Conditions Not Covered:

Not all product failures or malfunctions that occur during the warranty period are defects in materials or workmanship. The items / conditions listed below are not covered by this warranty:

- Product failures which result from the use of non-Toro replacement parts, or from installation and use of add-on, modified, or unapproved accessories are not covered.
- Product failures which result from failure to perform required maintenance and/or adjustments are not covered.
- Product failures which result from operating the Product in an abusive, negligent or reckless manner are not covered.

- This warranty does not apply to parts subject to consumption through use unless found to be defective. Examples of parts which are consumed, or used up, during normal Product operation include, but are not limited to, blades, reels, bedknives, tines, spark plugs, castor wheels, tires, filters, belts, etc.
- This warranty does not apply to failures caused by outside influence. Items considered to be outside influence include, but are not limited to, weather, storage practices, contamination, use of unapproved coolants, lubricants, additives, or chemicals, etc.
- This warranty does not apply to normal "wear and tear" items. Normal "Wear and Tear" includes, but is not limited to, damage to seats due to wear or abrasion, worn painted surfaces, scratched decals or windows, etc.

Other Legal Disclaimers:

The above remedy of product defects through repair by an authorized distributor or dealer is the purchaser's sole remedy for any defect. This warranty gives you specific legal rights, and you may also have other rights which vary from state to state.

Except for the Emissions warranty referenced below, if applicable, there is no other express warranty. All implied warranties of merchantability and fitness for use are limited to the duration of the express warranty.

Some states do not allow limitations on how long an implied warranty lasts, so the above limitation may not apply to you.

The Toro Company is not liable for indirect, incidental or consequential damages in connection with the use of the Product, including any cost or expense of providing substitute Product or service during periods of malfunction or non-use.

Some states do not allow the exclusion of incidental or consequential damages, so the above exclusion may not apply to you.

Note to California residents: The Emissions Control System on your Product may be covered by a separate warranty meeting requirements established by the U.S. Environmental Protection Agency (EPA), or the California Air Resources Board (CARB). The hour limitations set forth above do not apply to the Emissions Control System Warranty. Refer to the California Emission Control Warranty Statement printed in your Owner's Manual or contained in the engine manufacturer's documentation for details.