



**Count on it.**

**Parts Catalog**

**OSMAC® Satellite Controller**

Model No. OSMAC Satellite



# Ordering Replacement Parts

To order replacement parts, please supply the part number, the quantity, and the description of each part desired.

## Understanding Reference Numbers

Each identified part in an illustration has a reference number. The reference number for a part also appears in the parts list, along with other information about the part.

This catalog uses two special reference number formats, one to indicate parts in a service assembly and another to indicate the quantity of a given part in an illustration.

## Service Assembly Reference Numbers

Parts in service assemblies have reference numbers in the form a:b. The a represents the reference number of the entire service assembly and the b represents a sequential number unique to each part within the service assembly.

For example, a wheel assembly might be identified by reference number 6, the tire by 6:1, the valve by 6:2, and the wheel by 6:3. When you order the assembly identified by reference number 6, you receive all parts identified by reference numbers 6:1, 6:2, and 6:3. However, you may also order any part individually. Reference numbers of this type appear in illustration and in parts lists.

## Reference Numbers Indicating Quantity

In an illustration, if a reference number indicates more than one part, the reference number has the form nX y. The n represents the quantity of the part, the X is the multiplication symbol, and the y represents the reference number.

For example, in an illustration, the reference number 2X 37 means that two of the parts identified by reference number 37 are indicated.

# List of Abbreviations

**AR:** as required

**ASM:** assembly

**BBC:** blade brake control

**BHTF:** button head thread forming

**CARR:** carriage

**CCW:** counter clockwise

**CW:** clockwise

**DEG:** degrees

**DPA:** Dual Point Adjustment

**ECM:** electronic control module

**EXT:** external

**FH:** flat head

**GA:** gauge

**HD:** heavy-duty

**HF:** hex flange

**HH:** hex head

**HHF:** hex head flange

**HHFTF:** hex head flange thread forming

**HJ:** hex jam

**HLH:** hex lag head

**HOC:** height-of-cut

**HSBH:** hex socket button head

**HSFH:** hex socket flat head

**HSH:** hex socket head

**HWH:** hex washer head

**HWHTF:** hex washer head thread forming

**HYD:** hydraulic

**LH:** left hand

**LPG:** Liquid Propane Gas

**NI:** nylon insert

**NPTF:** national pipe thread fine

**PFH:** phillips flat head

**PPH:** phillips pan head

**PPHTF:** phillips pan head thread forming

**PRH:** phillips round head

**PTH:** phillips truss head

**PTO:** power-take-off

**RH:** right hand

**ROPS:** roll-over protection system

**RRB:** rear roller brush

**SFH:** slotted fillister head

**SHH:** slotted hex head

**SHWH:** slotted hex washer head

**SPH:** slotted pan head

**SQH:** square head

**SRH:** slotted round head

**STD:** standard

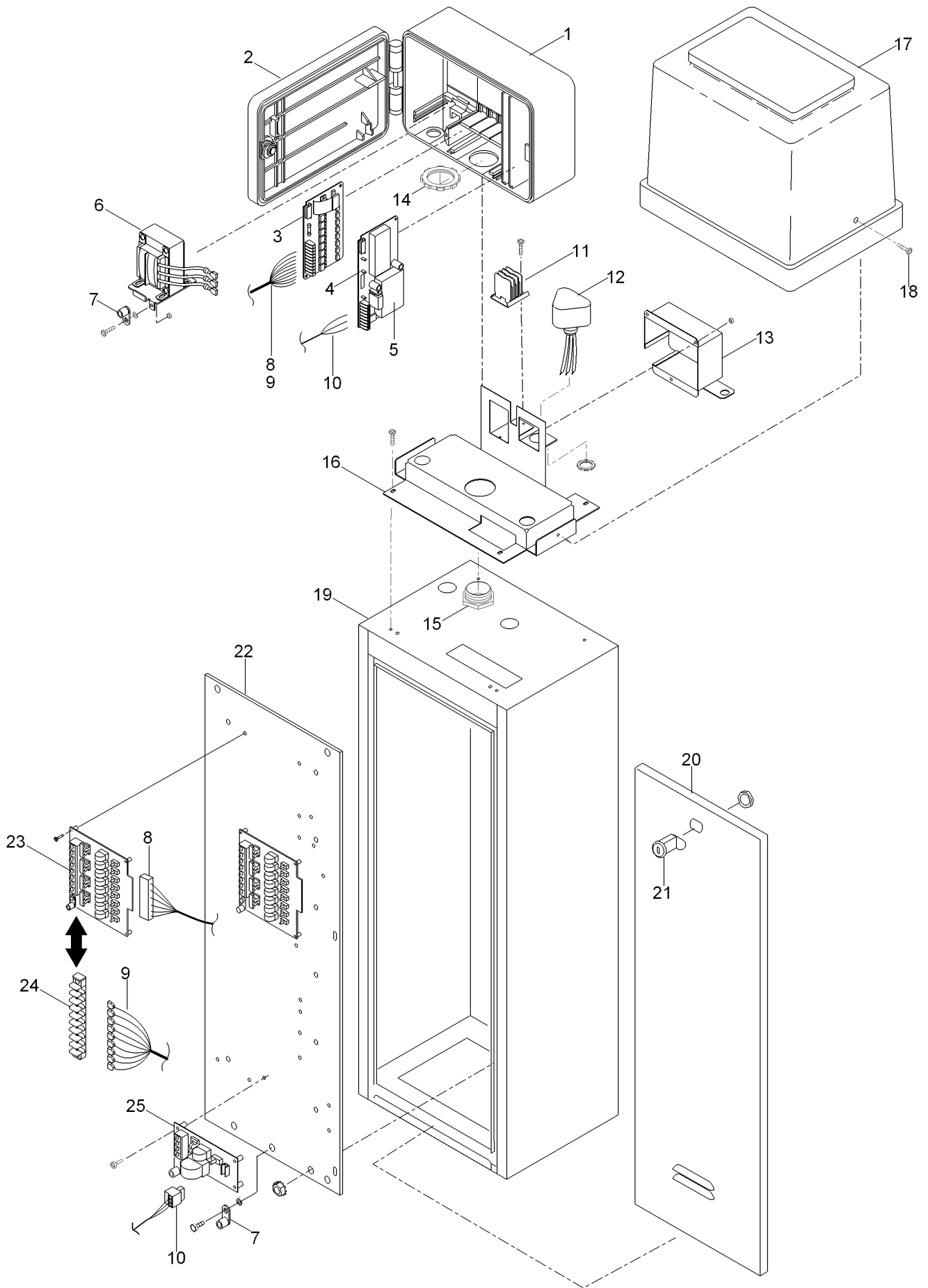
**TAP:** self tapping

**TTH:** torx truss head

# Contents

OSMAC Satellite - 8 x 13 Metal Ped., Electric .....	4
OSMAC Satellite - 8 x 13 Metal Ped., Hydraulic .....	6
OSMAC Satellite - 13 x 13 Metal Ped, Electric.....	8
OSMAC Satellite - 13 x 13 Metal Ped, Hydraulic.....	10
OSMAC Satellite - Plastic Pedestal, Electric .....	12
OSMAC Satellite - Plastic Pedestal, Hydraulic .....	14
OSMAC RDR - Model RDR0160LVNO.....	16
OSMAC RDR - Model RDR0160LVCE .....	17
OSMAC RDR Unit - Power Supply Assembly .....	18

# OSMAC Satellite - 8 x 13 Metal Ped., Electric



# OSMAC Satellite - 8 x 13 Metal Ped., Electric (continued)

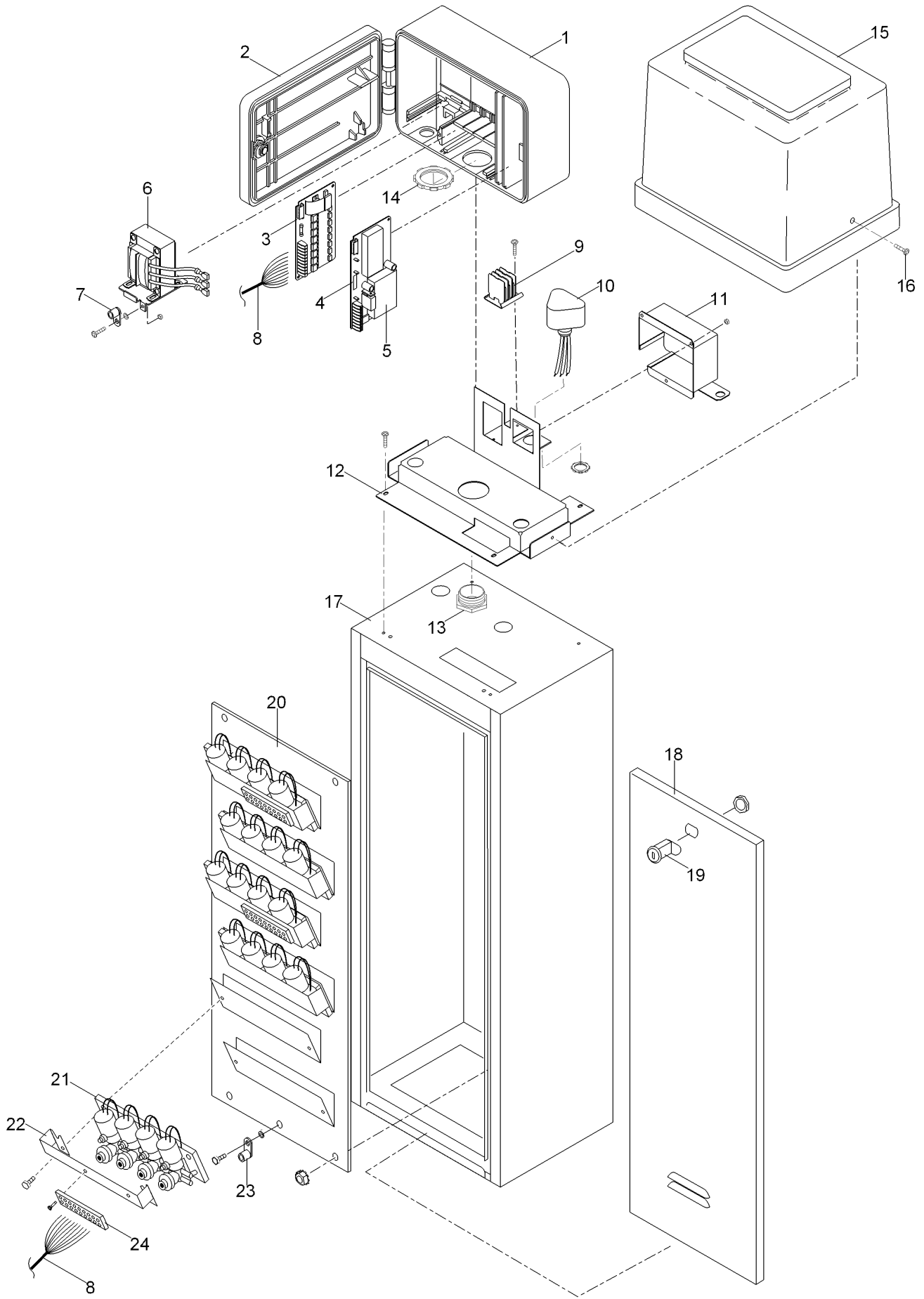
<i>Ref.</i>	<i>Part Number</i>	<i>Qty.</i>	<i>Description</i>	<i>Ref.</i>	<i>Part Number</i>	<i>Qty.</i>	<i>Description</i>
1		1	Housing, Cover, Rdr50 ●	11	363-2371	1	Terminal Block, 3-Position
2		1	Cover, Housing ●	12		1	Surge Protector, Osmac ●
3	NLN3491A	1	Output Pcb, 8-Station ▲	13	91-1865	1	Cover, Safety, Ac
4	NLN3485	1	Decoder Module Rdr50 ▲	14		1	Locknut, 1.25" ●
4	NLN3794	1	Decoder Module Rdr16 ▲	15		1	Conduit Nipple, 1.25" ●
5	N1551-X	1	Receiver Module (See Finished Goods Price List For Specific Frequency) ▲	16	91-1884	1	Adapter, Osmac, 13" X 8.5", Sst
6	NPN8010	1	Transformer, 24 Vac ▲	17	91-1860	1	Cover, Osmac
7	363-1553	2	Lug, Grounding	18	363-3438	2	Screw, #10-32 X 3/4", Sst
8	91-1905		Cable Assy., Surge Protection, Short ■	19	91-1508	1	Cabinet Assy., Sst (Includes Items 19-21)
8	91-1906		Cable Assy., Surge Protection, Medium ■	20		2	Door ●
8	91-1907		Cable Assy., Surge Protection, Long ■	21	363-5369	2	Lock Assy., W/Keys
9	91-2151		Cable Assy., El, Short ■	22	91-1441	2	Mounting Plate, Rear
9	91-2152		Cable Assy., El, Medium ■	23	91-1957		Pcb, Surge Protection, 8-Station ■
9	91-2153		Cable Assy., El, Long ■	24	363-3313		Terminal Block, 9-Position ■
10	91-2433	1	Cable Assy., Pump/Common	25	91-1305	1	Pcb Assy., Surge Protection, Pump/Com

● Not serviced separately

▲ Order Through Finished Goods Distribution System - Minneapolis

■ Quantity Varies With Model

# OSMAC Satellite - 8 x 13 Metal Ped., Hydraulic



# OSMAC Satellite - 8 x 13 Metal Ped., Hydraulic (continued)

<i>Ref.</i>	<i>Part Number</i>	<i>Qty.</i>	<i>Description</i>	<i>Ref.</i>	<i>Part Number</i>	<i>Qty.</i>	<i>Description</i>
1		1	Housing, Rdr50 ■	12	91-1884	1	Adapter, Osmac, 13" X 8.5", Sst
2		1	Cover, Housing ■	13		1	Conduit Nipple, 1-1/4" ■
3	NLN3491A	1	Output Pcb, 8-Station ◆	14		1	Locknut, 1-1/4" ■
4	NLN3485	1	Decoder Module Rdr50 ◆	15	91-1860	1	Cover, Osmac
4	NLN3794	1	Decoder Module Rdr16 ◆	16	363-3438	2	Screw, #10-32 X 3/4", Sst
5	N1551-X	1	Receiver Module (See Finished Goods Price List For Specific Frequency) ◆	17	91-1508	1	Cabinet Assy., Sst (Includes Items 17-19) ●
6	NPN8010	1	Transformer, 24 Vac ◆	18		2	Door ■
7	363-1553	2	Lug, Grounding	19	363-5369	2	Lock Assy., W/Keys
8	91-1899		Cable Assy., Hydraulic, Short ▲	20		1	Plate, Mounting ■
8	91-1901		Cable Assy., Hydraulic, Medium ▲	21		1	Electric/Hydraulic Converter Module (See Electric-Hydraulic Converter Module Assy. Section) ■
8	91-1902		Cable Assy., Hydraulic, Long ▲	22		1	Mounting Plate, Terminal Block ■
9	363-2371	1	Terminal Block, 3-Position	23	363-1553	1	Lug, Grounding
10		1	Surge Protector, Osmac ■	24	363-3263		Terminal Block, 9-Position ▲
11	91-1865	1	Cover, Safety, Ac				

● (Includes Items 17-19)

▲ Quantity Varies With Model

◆ Order Through Finished Goods Distribution System - Minneapolis

■ Not serviced separately



# OSMAC Satellite - 13 x 13 Metal Ped, Electric (continued)

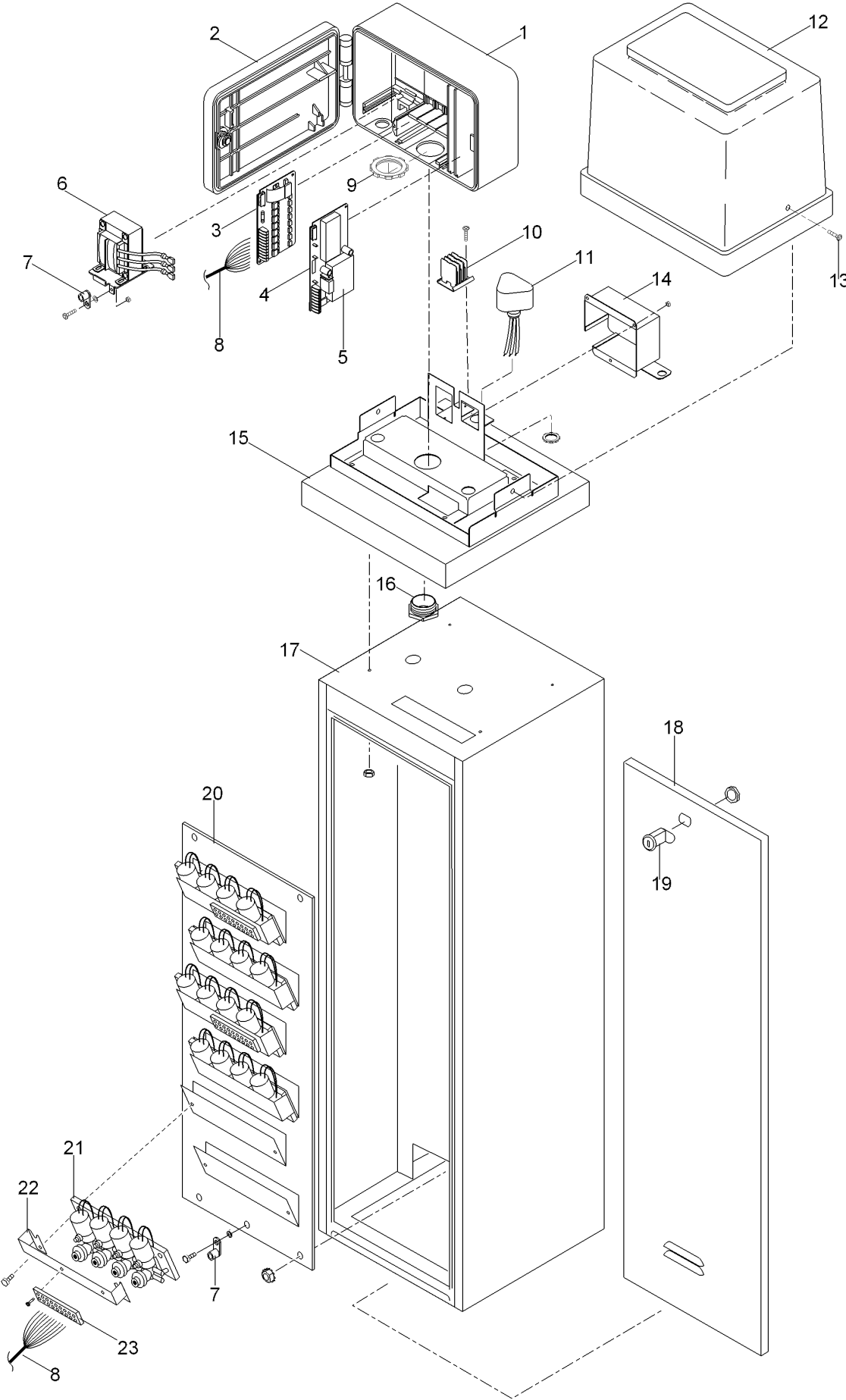
<i>Ref.</i>	<i>Part Number</i>	<i>Qty.</i>	<i>Description</i>	<i>Ref.</i>	<i>Part Number</i>	<i>Qty.</i>	<i>Description</i>
1		1	Housing, Rdr50 ●	11	363-2371	1	Terminal Block, 3-Position
2		1	Cover, Housing ●	12		1	Surge Protector, Osmac ●
3	NLN3491A	1	Output Pcb, 8-Station ▲	12	89-6870	1	Surge Protector, Osmac
4	NLN3485	1	Decoder Module Rdr50 ▲	13	91-1865	1	Cover, Safety, Ac
4	NLN3794	1	Decoder Module Rdr16 ▲	14		1	Locknut, 1-1/4" ●
5	N1551-X	1	Receiver Module (See Finished Goods Price List For Specific Frequency) ▲	15		1	Conduit Nipple, 1-1/4" ●
				16	91-1884	1	Adapter, Osmac, 13" X 8.5", Sst
6	NPN8010	1	Transformer, 24 Vac ▲	17	91-1860	1	Cover, Osmac
7	363-1553	2	Lug, Grounding	18	363-3438	2	Screw, #10-32 X 3/4", Sst
8	91-1905		Cable Assy., Surge Protection, Short ■	19	89-7128	1	Cabinet Assy., Sst (Includes Items 17-19)
8	91-1906		Cable Assy., Surge Protection, Medium ■	20		2	Door ●
8	91-1907		Cable Assy., Surge Protection, Long ■	21	363-5369	2	Lock Assy., W/Keys
9	91-2151		Cable Assy., El, Short ■	22		1	Plate, Mounting ●
9	91-2152		Cable Assy., El, Medium ■	23	91-1957	1	Pcb, Surge Protection, 8-Station
9	91-2153		Cable Assy., El, Long ■	24		1	Terminal Block, 9-Position ●
10	91-2433	1	Cable Assy., Pump/Common	25	91-1305	1	Pcb Assy., Surge Protection, Pump/Com

● Not serviced separately

▲ Order Through Finished Goods Distribution System - Minneapolis

■ Quantity Varies With Model

# OSMAC Satellite - 13 x 13 Metal Ped, Hydraulic



# OSMAC Satellite - 13 x 13 Metal Ped, Hydraulic (continued)

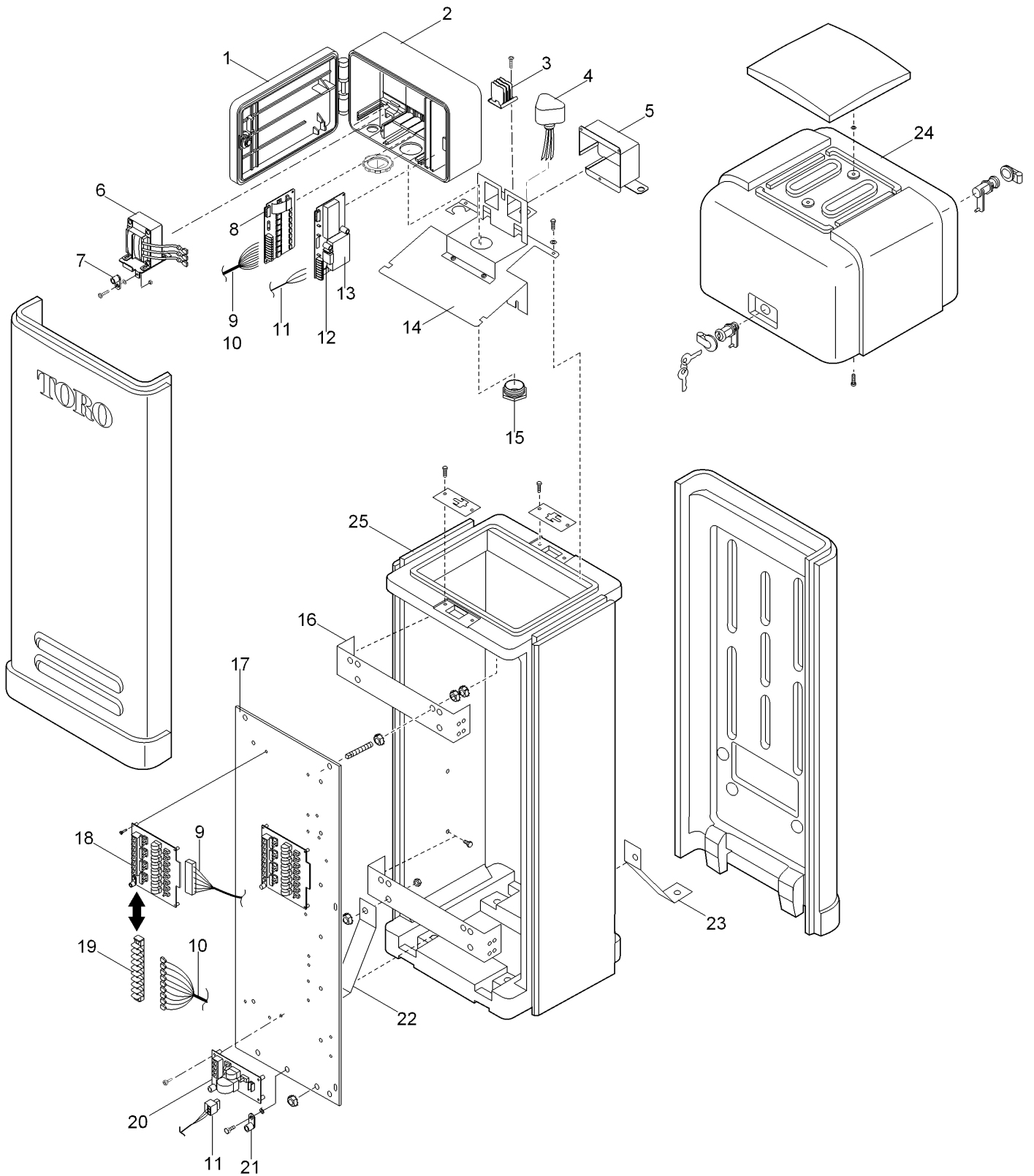
<i>Ref.</i>	<i>Part Number</i>	<i>Qty.</i>	<i>Description</i>	<i>Ref.</i>	<i>Part Number</i>	<i>Qty.</i>	<i>Description</i>
1		1	Housing, Rdr50 ●	12	91-1860	1	Cover, Osmac
2		1	Cover, Housing ●	13	363-3438	2	Screw, #10-32 X 3/4", Sst
3	NLN3491A	1	Output Pcb, 8-Station ▲	14	91-1865	1	Cover, Safety, Ac
4	NLN3485	1	Decoder Module Rdr50 ▲	15	91-1886	1	Adapter, Osmac, 13 X 13, Sst
4	NLN3794	1	Decoder Module Rdr16 ▲	16		1	Conduit Nipple, 11/4" ●
5	N1551-X	1	Receiver Module (See Finished Goods Price List For Specific Frequency) ▲	17	89-7128	1	Cabinet Assy., Sst (Includes Items 17-19)
6	NPN8010	1	Transformer, 24 Vac ▲	18		2	Door ●
7	363-1553	1	Lug, Grounding	19	363-5369	2	Lock Assy., W/Keys Plate, Mounting ●■
8	91-1899		Cable Assy., Hydraulic, Short ■	20			Electric/Hydraulic Converter Module (See Electric-Hydraulic Converter Module Assy. Section) ●■
8	91-1901		Cable Assy., Hydraulic, Medium ■	21			Bracket Support, Electric/Hydraulic Converter ●■
8	91-1902		Cable Assy., Hydraulic, Long ■	22			Terminal Block, 9-Position ■
9		1	Locknut, 1-1/4" ●	23	363-3263		
10	363-2371	1	Terminal Block, 3-Position				
11		1	Surge Protector, Osmac ●				

● Not serviced separately

▲ Order Through Finished Goods Distribution System - Minneapolis

■ Quantity Varies With Model

# OSMAC Satellite - Plastic Pedestal, Electric



# OSMAC Satellite - Plastic Pedestal, Electric (continued)

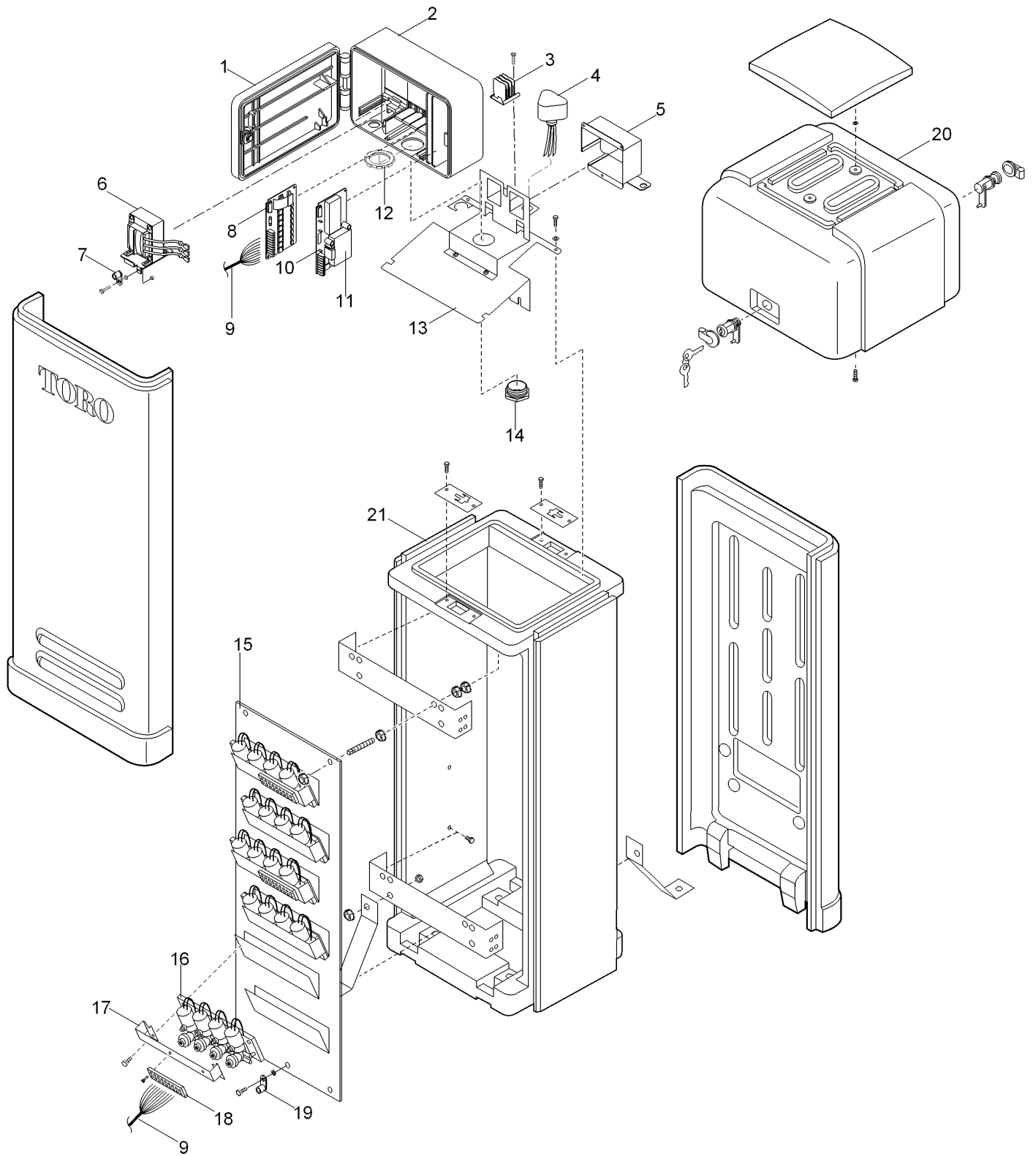
<i>Ref.</i>	<i>Part Number</i>	<i>Qty.</i>	<i>Description</i>	<i>Ref.</i>	<i>Part Number</i>	<i>Qty.</i>	<i>Description</i>
1		1	Cover, Housing ●	13	N1551-X	1	Receiver Module (See Finished Goods Price List For Specific Frequency) ▲
2		1	Housing, Rdr50 ●	14		1	Adapter, Osmac, Stainless Steel ●
3	363-2371	1	Terminal Block, 3-Position	15		1	Conduit Nipple, 1.25" ●
4		1	Surge Protector, Osmac ●	16		2	Bracket ●
5	91-1865	1	Cover, Safety, Ac	17	91-1441	2	Mounting Plate, Rear
6	NPN8010	1	Transformer, 24 Vac ▲	18	91-1957		Pcb, Surge Protection, 8-Station ■
7	363-1553	2	Lug, Grounding	19	363-3263		Terminal Block, 9-Position ■
8	NLN3491A	1	Output Pcb, 8-Station ▲	20	91-1305	1	Pcb Assy., Surge Protection, Pump/Com
9	91-1905		Cable Assy., Surge Protection, Short ■	21	363-1553	1	Lug, Grounding
9	91-1906		Cable Assy., Surge Protection, Medium ■	22		1	Bracket Support ●
9	91-1907		Cable Assy., Surge Protection, Long ■	23		1	Bracket Support, Offset ●
10	91-2151		Cable Assy., El, Short ■	24	89-8344	1	Cover, Plastic, Tall
10	91-2152		Cable Assy., El, Medium ■	25		1	See Plastic Satellite Pedestal Section For Details. ●
10	91-2153		Cable Assy., El, Long ■				
11	91-2433	1	Cable Assy., Pump/Common				
12	NLN3485	1	Decoder Module Rdr50 ▲				
12	NLN3794	1	Decoder Module Rdr16 ▲				

● Not serviced separately

▲ Order Through Finished Goods Distribution System - Minneapolis

■ Quantity Varies With Model

# OSMAC Satellite - Plastic Pedestal, Hydraulic



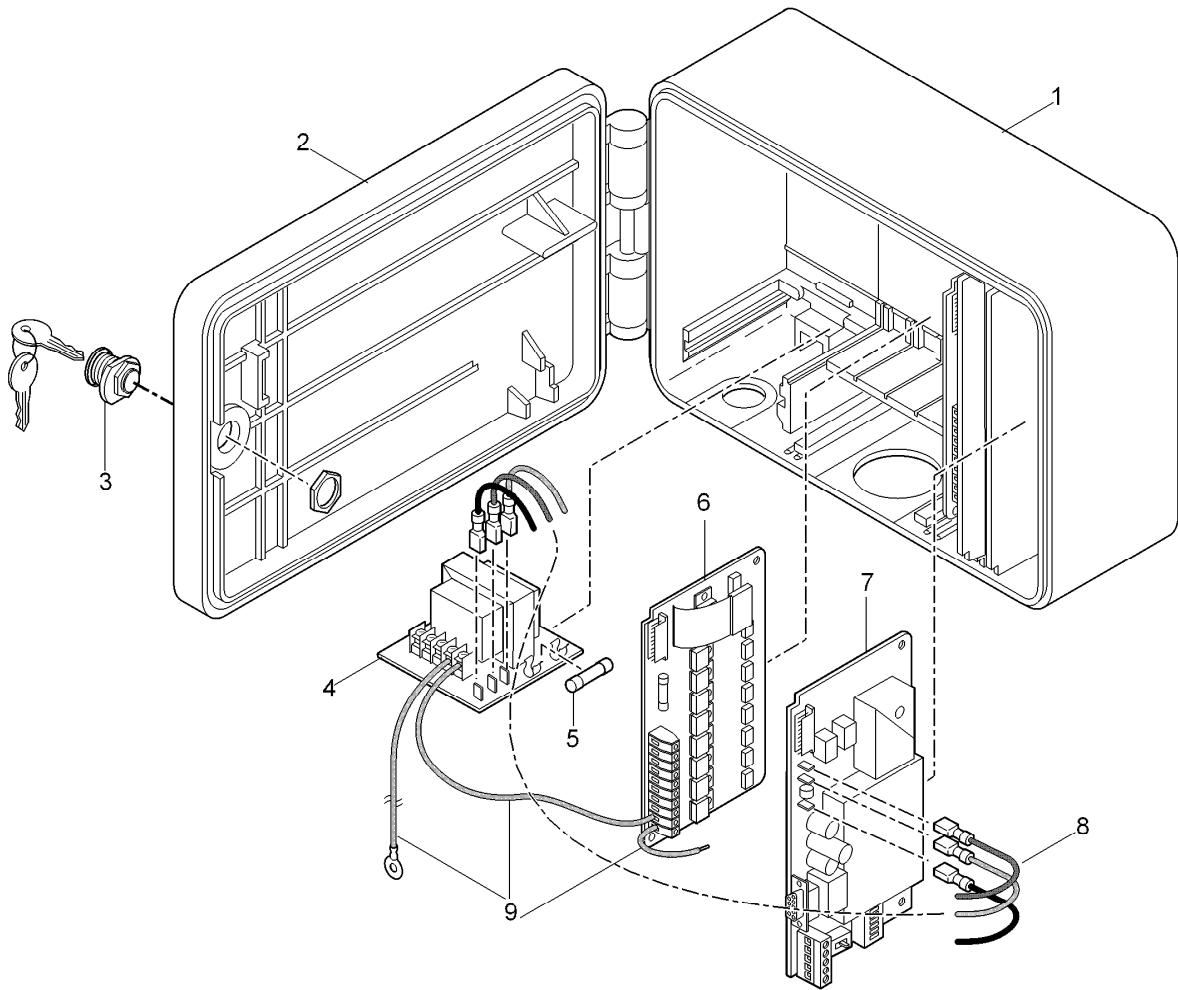
# OSMAC Satellite - Plastic Pedestal, Hydraulic (continued)

<i>Ref.</i>	<i>Part Number</i>	<i>Qty.</i>	<i>Description</i>	<i>Ref.</i>	<i>Part Number</i>	<i>Qty.</i>	<i>Description</i>
1		1	Cover, Housing ●	12	363-3259	1	Locknut 1.25"
2		1	Housing, Rdr50 ●	13		1	Adapter, Osmac, Stainless Steel ●
3	363-2371	1	Terminal Block, 3-Position	14	363-3258	1	Conduit Nipple, 1.25"
4		1	Surge Protector, Osmac ●	15		2	Plate, Mounting ●
5	91-1865	1	Cover, Safety, Ac	16			Electric/Hydraulic Converter Module (See Electric-Hydraulic Converter Module Assy. Section) ●■
6	NPN8010	1	Transformer, 24 Vac ▲	17	91-1562		Mounting Plate, Terminal Block ■
7	363-1553	2	Lug, Grounding	18	363-3263		Terminal Block, 9-Position ■
8	NLN3491A	1	Output Pcb, 8-Station ▲	19	363-1553	1	Lug, Grounding
9	91-1899		Cable Assy., Hydraulic, Short ■	20	89-8344	1	Cover, Plastic, Tall
9	91-1901		Cable Assy., Hydraulic, Medium ■	21		1	See Plastic Satellite Pedestal Section For Details. ●
9	91-1902		Cable Assy., Hydraulic, Long ■				
10	NLN3485	1	Decoder Module Rdr50 ▲				
10	NLN3794	1	Decoder Module Rdr16 ▲				
11	N1551	1	Receiver Module (Specify Frequency) ▲				

● Not serviced separately

▲ Order Through Finished Goods Distribution System - Minneapolis

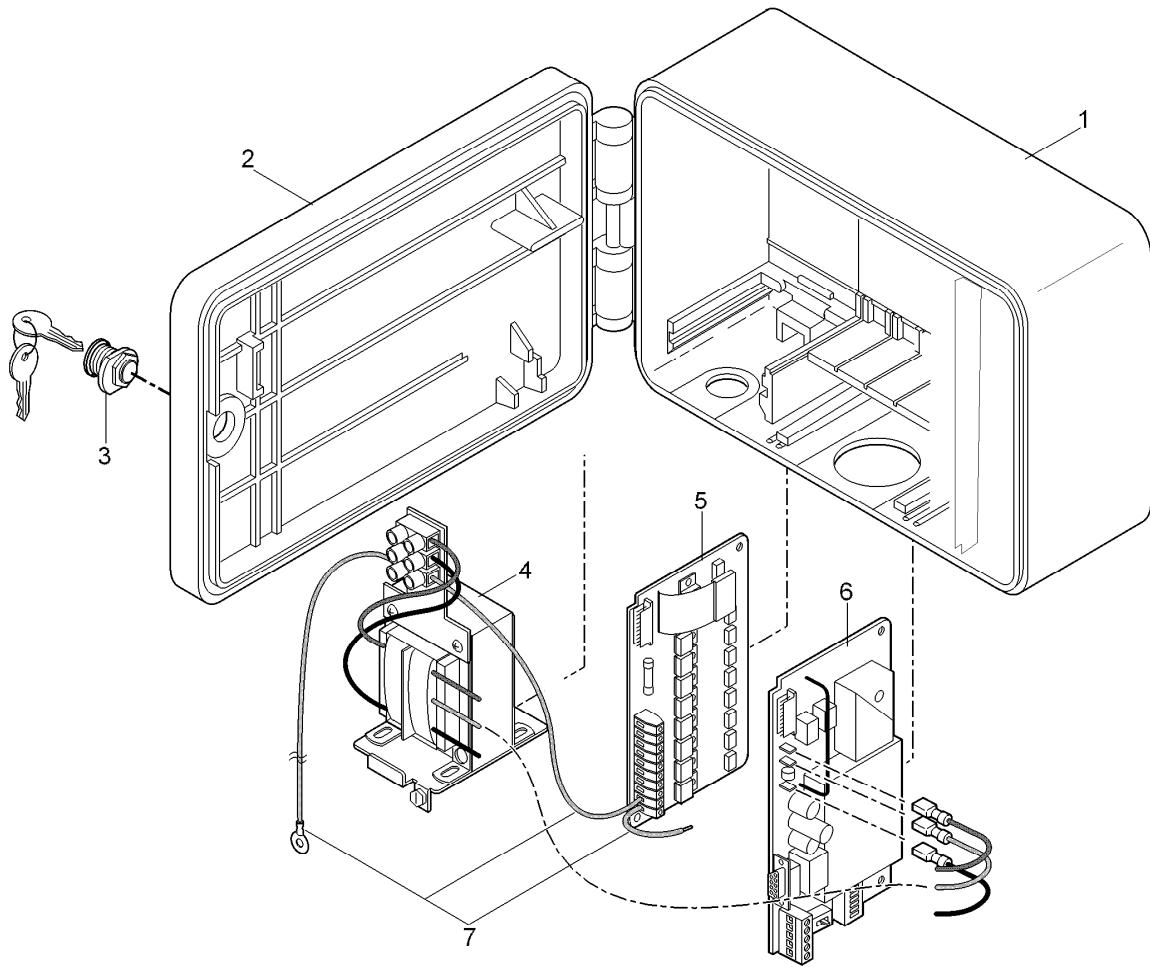
■ Quantity Varies With Model



## OSMAC RDR - Model RDR0160LVNO

<i>Ref.</i>	<i>Part Number</i>	<i>Qty.</i>	<i>Description</i>
1	102-2921	1	Kit, Osmac Rdr Housing
2	102-2920	1	Kit, Osmac Rdr Housing Cover (Includes Item 3)
3	363-4120	1	Lock Assy. W/Keys
4	102-3067	1	24 To 12 V A.C. Transformer Board
5	102-3068	1	2A Slow-Blow Fuse
6	NLN3491A	2	Output Pcb, 8-Station ●
7	102-1828	1	Pcba, Osmac, Narrow-Band Decoder
8	102-3069	1	Kit, Power Wires, Rdr Lv
9	102-3077	1	Kit, Ground Wires (3)

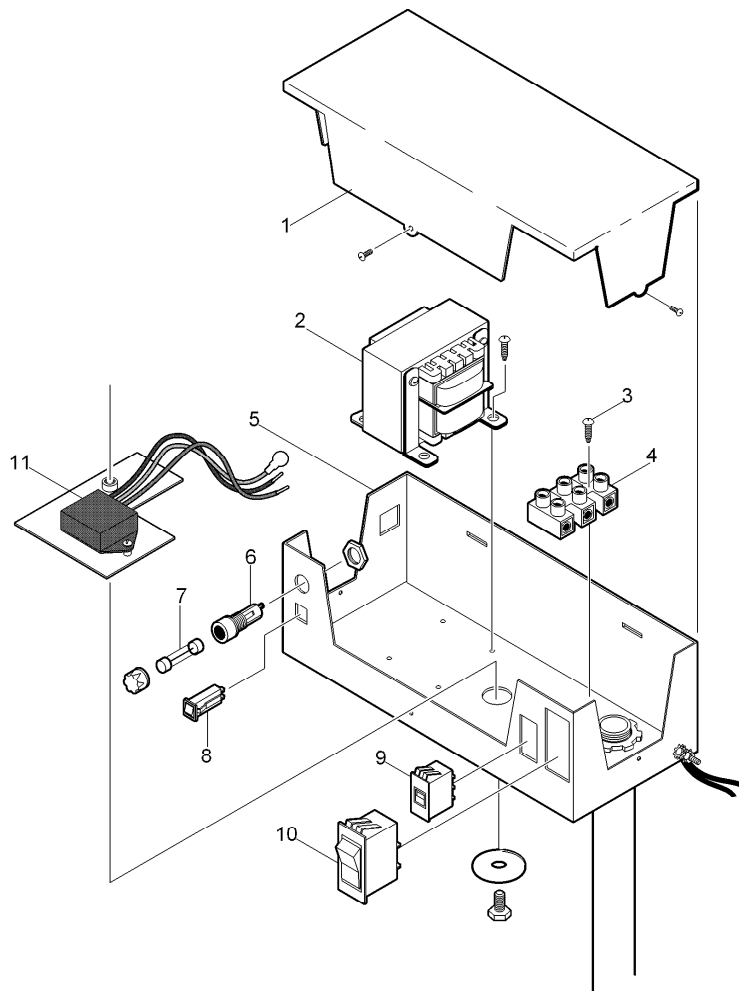
● Order Through Finished Goods Distribution System - Minneapolis



## OSMAC RDR - Model RDR0160LVCE

<i>Ref.</i>	<i>Part Number</i>	<i>Qty.</i>	<i>Description</i>
1	102-2921	1	Kit, Osmac Rdr Housing
2	102-2920	1	Kit, Osmac Rdr Housing Cover
3	363-4120	1	Lock Assy. W/Keys
4	102-3076	1	24 To 12 V A.C. Transformer W/Terminal Block
5	NLN3491A	2	Output Pcb, 8-Station ●
6	102-1828	1	Pcba, Osmac, Narrow-Band Decoder
7	102-3077	1	Kit, Ground Wires (3)

● Order Through Finished Goods Distribution System - Minneapolis



## OSMAC RDR Unit - Power Supply Assembly

<i>Ref.</i>	<i>Part Number</i>	<i>Qty.</i>	<i>Description</i>
1		1	Cover ■
2	102-0647	1	Transformer Assy., Svc. ●
3		6	Screw, Tap, #6 ■
4	102-0667	1	Terminal Block, 115/230V, (Includes Item 3)
5		1	Bracket, Rdr Power Supply ■
6	102-0649	1	Fuse Holder W/Cap
7	102-0650	1	Fuse, 3.2 Amp, Slow-Blow (10-Pack) ●
8	102-0651	1	Circuit Breaker, 4.0 Amp
9	102-0648	1	Slide Switch 115/230V
10	102-0666	1	On/Off Switch
11	118-0538SK-RDR	1	Surge Protector Assy.

● SERVICE ITEMS

■ Not serviced separately

**Notes:**



**Count on it.**