



Count on it.

Parts Catalog

18in Dethatcher

Model No. 23513—Serial No. 312000001 and Up

Model No. 33513—Serial No. 312000001 and Up



Ordering Replacement Parts

To order replacement parts, please supply the part number, the quantity, and the description of each part desired.

Understanding Reference Numbers

Each identified part in an illustration has a reference number. The reference number for a part also appears in the parts list, along with other information about the part.

This catalog uses two special reference number formats, one to indicate parts in a service assembly and another to indicate the quantity of a given part in an illustration.

Service Assembly Reference Numbers

Parts in service assemblies have reference numbers in the form a:b. The a represents the reference number of the entire service assembly and the b represents a sequential number unique to each part within the service assembly.

For example, a wheel assembly might be identified by reference number 6, the tire by 6:1, the valve by 6:2, and the wheel by 6:3. When you order the assembly identified by reference number 6, you receive all parts identified by reference numbers 6:1, 6:2, and 6:3. However, you may also order any part individually. Reference numbers of this type appear in illustration and in parts lists.

Reference Numbers Indicating Quantity

In an illustration, if a reference number indicates more than one part, the reference number has the form nX y. The n represents the quantity of the part, the X is the multiplication symbol, and the y represents the reference number.

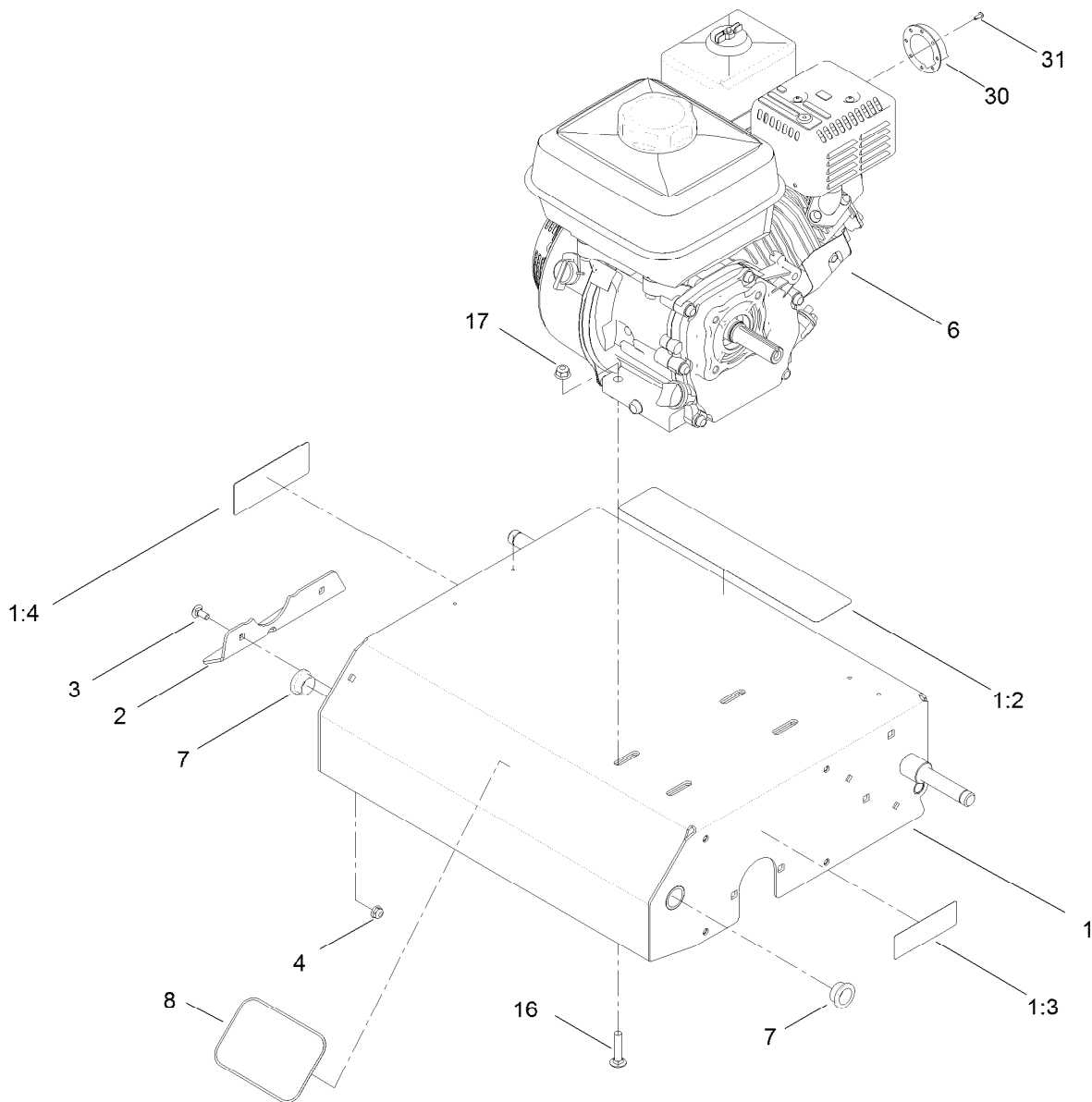
For example, in an illustration, the reference number 2X 37 means that two of the parts identified by reference number 37 are indicated.

List of Abbreviations

AR: as required	HLH: hex lag head	PTO: power-take-off
ASM: assembly	HOC: height-of-cut	RH: right hand
BBC: blade brake control	HSBH: hex socket button head	ROPS: roll-over protection system
BHTF: button head thread forming	HSFH: hex socket flat head	RRB: rear roller brush
CARR: carriage	HSH: hex socket head	SFH: slotted fillister head
CCW: counter clockwise	HWH: hex washer head	SHH: slotted hex head
CW: clockwise	HWHTF: hex washer head thread forming	SHWH: slotted hex washer head
DEG: degrees	HYD: hydraulic	SPH: slotted pan head
DPA: Dual Point Adjustment	LH: left hand	SQH: square head
ECM: electronic control module	LP: Liquefied Petroleum Gas	SRH: slotted round head
EXT: external	LPG: Liquefied Petroleum Gas	STD: standard
FH: flat head	NI: nylon insert	TAP: self tapping
GA: gauge	NPTF: national pipe thread fine	TTH: torx truss head
HD: heavy-duty	PFH: phillips flat head	
HF: hex flange	PPH: phillips pan head	
HH: hex head	PPHTF: phillips pan head thread forming	
HHF: hex head flange	PRH: phillips round head	
HHFTF: hex head flange thread forming	PTH: phillips truss head	
HJ: hex jam		

Contents

- Frame and Engine Assembly 4
- Handle Assembly 5
- Bearing and Shaft Assembly 6
- Clutch, Baffle and Belt Guard Assembly 7
- Lever Arm Assembly 8

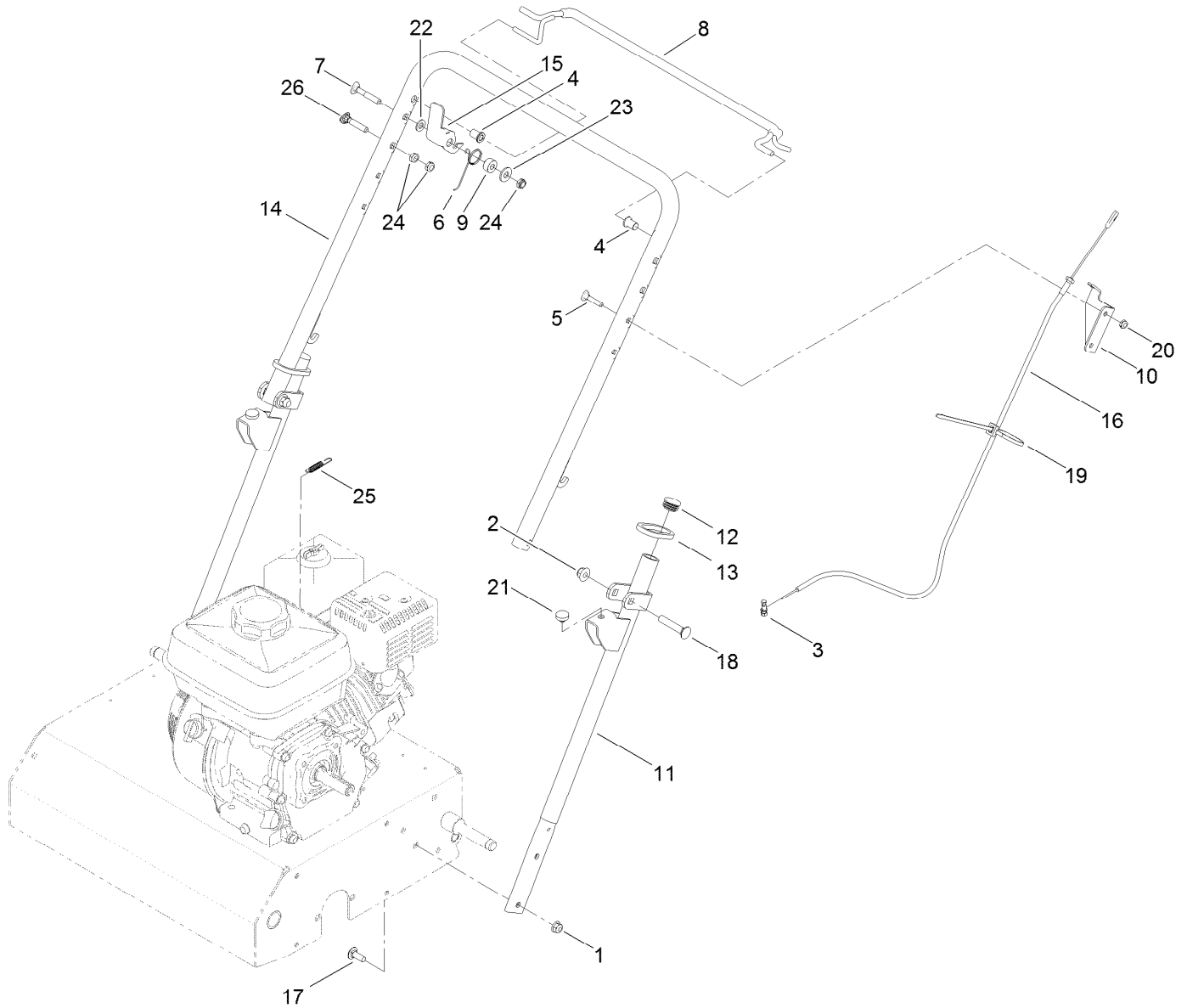


Frame and Engine Assembly

Ref.	Part Number	Qty.	Description
1	125-3825	1	Frame ASM
1:2	125-3809	1	Decal-Warning
1:3	117-4979	1	Decal-Warning, Shields (C E)
1:4	93-7321	1	Decal-Danger
2	121-1853-01	1	Guard-Hand
3	3229-11	2	Screw-CARR
4	104-7201	2	Nut-HF
6		1	Engine-Honda, Gx160Ut1Qxz ● ■
7	121-1876	2	Bushing
8	67-1300	1	Decal
16	3230-4	4	Screw-CARR
17	104-8300	4	Nut-Flange, NI
30	125-3866	1	Deflector-Honda
31	120-1884	2	Screw-PPHTF

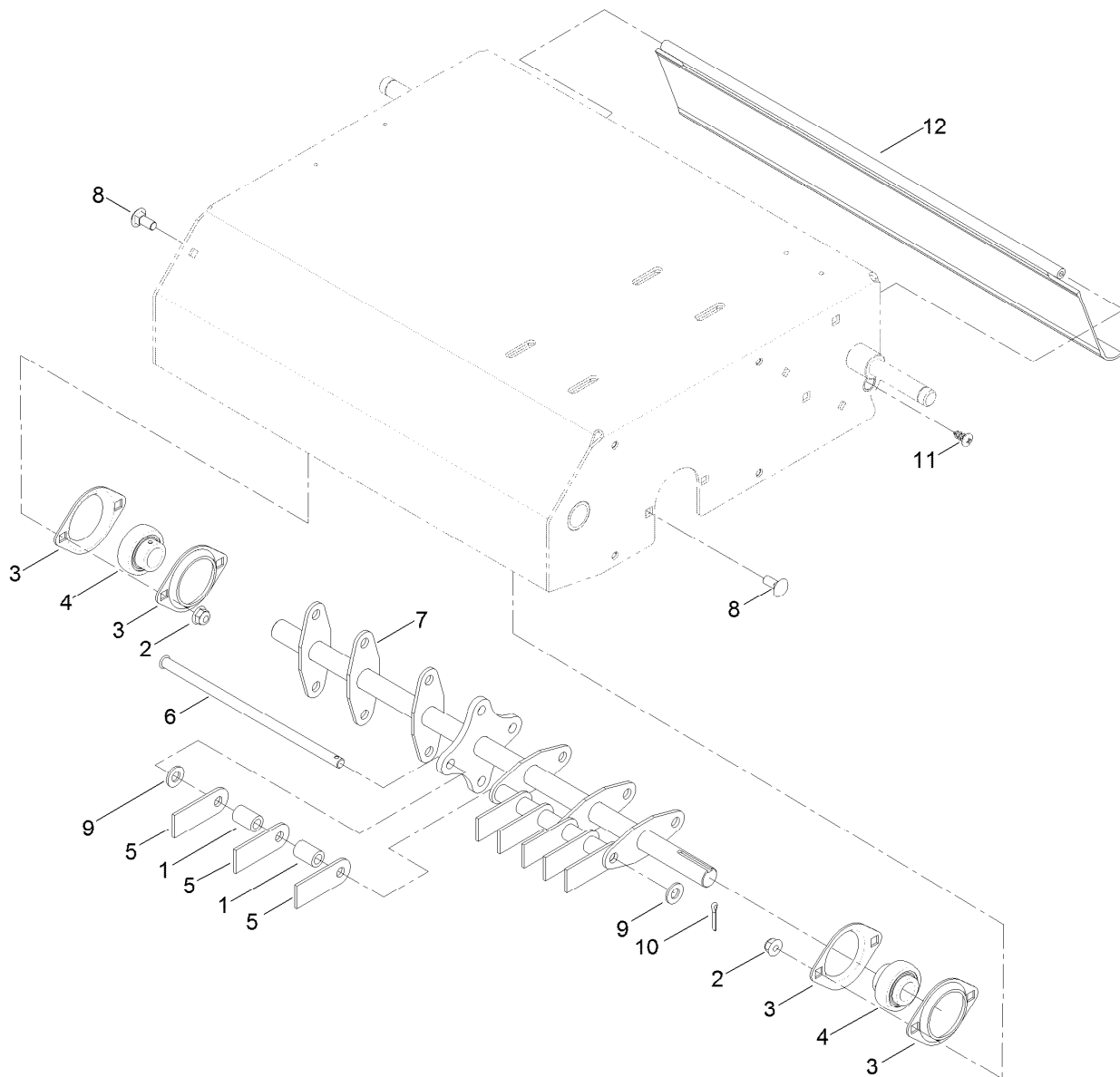
● Not serviced separately

■ Obtain parts from www.honda-engines.com



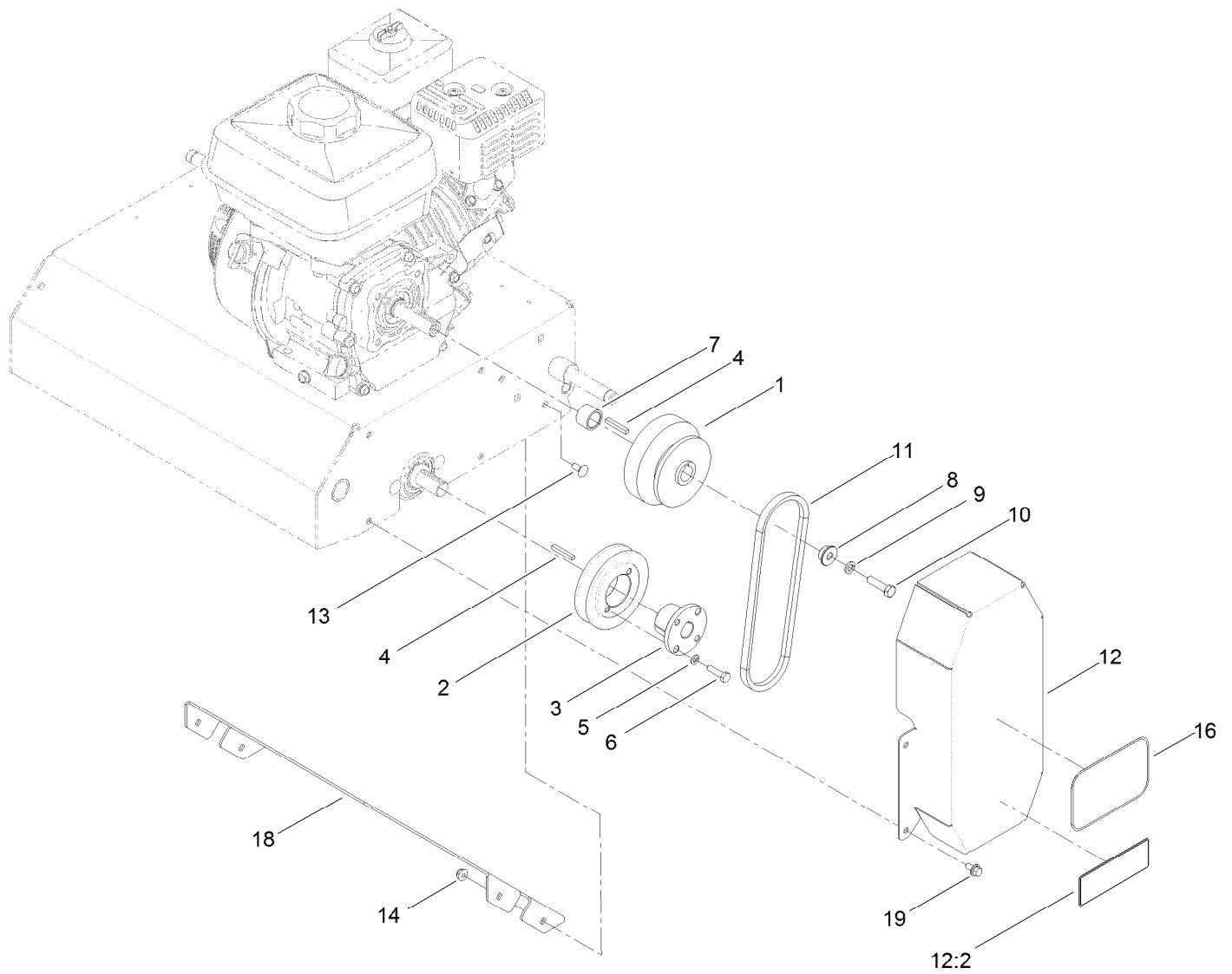
Handle Assembly

Ref.	Part Number	Qty.	Description	Ref.	Part Number	Qty.	Description
1	104-8300	4	Nut-Flange, NI	14	125-3800-03	1	Handle-Upper
2	104-8301	2	Nut-Flange, NI	15	121-7727	1	Tab-Lock
3	108-5928	1	Swivel-Stop, Cable	16	121-7739	1	Cable-Throttle
4	109-2713	2	Bushing	17	3230-10	4	Screw-CARR
5	109-8144	2	Bolt-Handle	18	3231-6	2	Screw-CARR
6	125-3750	1	Spring, Lock-Tab	19	3290-378	1	Tie-Cable
7	112-8876	1	Screw-Handle	20	3296-56	2	Nut-Lock, NI
8	116-0389	1	Traction Bail With Grip ASM	21	1-513658	2	Bumper
9	116-2690	1	Bushing-Stepped	22	3256-23	1	Washer-Flat
10	121-1859-03	1	Bracket-Throttle,Cable	23	3256-3	1	Washer-Flat
11	125-3799-03	2	Handle-Lower	24	3296-47	3	Nut-Lock, NI
12	121-4870	2	Plug	25	119-4609	1	Spring-Extension
13	121-6202	2	Ring-Handle Lock	26	107-3018	1	Screw-Handle



Bearing and Shaft Assembly

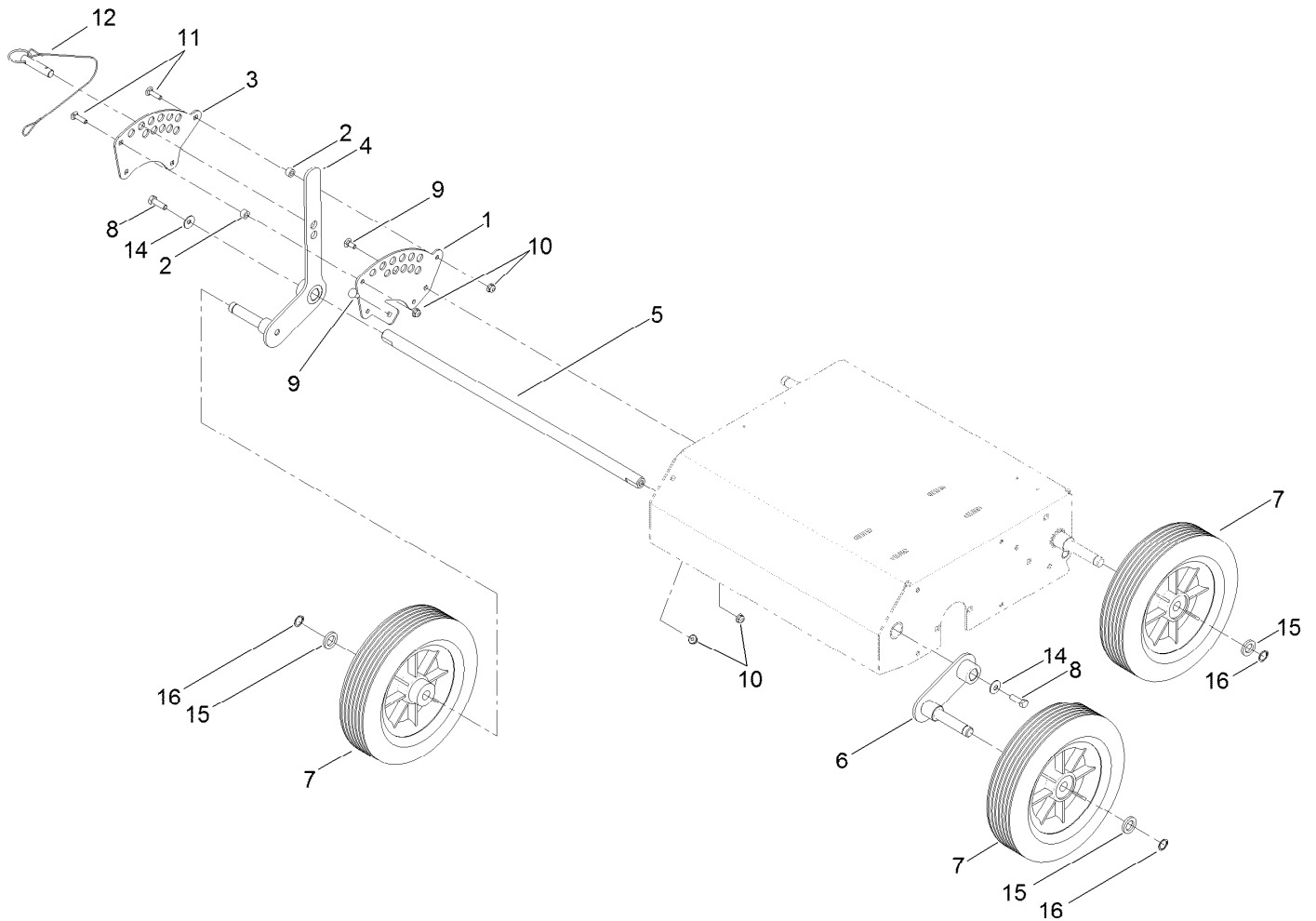
Ref.	Part Number	Qty.	Description
1	125-3870	28	Spacer
2	104-8300	4	Nut-Flange, NI
3	105-9714	4	Flange-Bearing
4	106-8448	2	Bearing-Race, Extended
5	121-1869	32	Blade-Flail
6	121-6208	4	Shaft-Satellite
7	121-6220-03	1	Shaft-Rake
8	3230-1	4	Bolt-CARR
9	3256-24	8	Washer-Flat
10	3272-10	4	Pin-Cotter
11	117-1092	2	Screw-PTH
12	120-6241	1	Shield-Trailing



Clutch, Baffle and Belt Guard Assembly

Ref.	Part Number	Qty.	Description
1	120-1215	1	Clutch-Centrifugal
2	121-2019	1	Sheave-Taper Lock
3	121-2022	1	Bushing-Taper Lock
4	92-2649	2	Key-Square
5	3253-3	2	Washer-Lock
6	321-6	2	Screw-HH
7	121-7731	1	Spacer
8	121-7732	1	Bushing
9	3253-4	1	Washer-Lock

Ref.	Part Number	Qty.	Description
10	3210-7	1	Screw-HH
11	53-4650	1	V-Belt, Blower
12	125-3827	1	Belt Guard ASM
12:2	93-7321	1	Decal-Danger
13	3229-11	4	Screw-CARR
14	104-7201	4	Nut-HF
16	67-1300	1	Decal
18	121-6235-01	1	Baffle-Deflector
19	3234-13	4	Screw-HHF



Lever Arm Assembly

Ref.	Part Number	Qty.	Description
1	121-1854	1	Bracket
2	98-4799	4	Tube-Spacer
3	121-1856	1	Plate
4	125-3805-03	1	Lever-HOC
5	125-3806	1	Shaft-Pivot
6	125-3804-03	1	Arm ASM
7	121-4897	4	Wheel-Transport
8	322-5	2	Screw-HH
9	3229-11	2	Screw-CARR
10	104-7201	6	Nut-HF
11	3229-2	4	Screw-CARR
12	104-3678	1	Pin-Hitch
14	3290-456	2	Washer-Belleville
15	63-9710	4	Spacer-Bearing
16	32120-64	4	Ring-Snap, External

Notes:

Notes:

Notes:



Count on it.