



Count on it.

Parts Catalog

22in Recycler[®] Lawn Mower

Model No. 20352—Serial No. 312000001 and Up



Ordering Replacement Parts

To order replacement parts, please supply the part number, the quantity, and the description of each part desired.

Understanding Reference Numbers

Each identified part in an illustration has a reference number. The reference number for a part also appears in the parts list, along with other information about the part.

This catalog uses two special reference number formats, one to indicate parts in a service assembly and another to indicate the quantity of a given part in an illustration.

Service Assembly Reference Numbers

Parts in service assemblies have reference numbers in the form a:b. The a represents the reference number of the entire service assembly and the b represents a sequential number unique to each part within the service assembly.

For example, a wheel assembly might be identified by reference number 6, the tire by 6:1, the valve by 6:2, and the wheel by 6:3. When you order the assembly identified by reference number 6, you receive all parts identified by reference numbers 6:1, 6:2, and 6:3. However, you may also order any part individually. Reference numbers of this type appear in illustration and in parts lists.

Reference Numbers Indicating Quantity

In an illustration, if a reference number indicates more than one part, the reference number has the form nX y. The n represents the quantity of the part, the X is the multiplication symbol, and the y represents the reference number.

For example, in an illustration, the reference number 2X 37 means that two of the parts identified by reference number 37 are indicated.

List of Abbreviations

AR: as required

ASM: assembly

BBC: blade brake control

BHTF: button head thread forming

CARR: carriage

CCW: counter clockwise

CW: clockwise

DEG: degrees

DPA: Dual Point Adjustment

ECM: electronic control module

EXT: external

FH: flat head

GA: gauge

HD: heavy-duty

HF: hex flange

HH: hex head

HHF: hex head flange

HHFTF: hex head flange thread forming

HJ: hex jam

HLH: hex lag head

HOC: height-of-cut

HSBH: hex socket button head

HSFH: hex socket flat head

HSH: hex socket head

HWH: hex washer head

HWTF: hex washer head thread forming

HYD: hydraulic

LH: left hand

LPG: Liquid Propane Gas

NI: nylon insert

NPTF: national pipe thread fine

PFH: phillips flat head

PPH: phillips pan head

PPHTF: phillips pan head thread forming

PRH: phillips round head

PTH: phillips truss head

PTO: power-take-off

RH: right hand

ROPS: roll-over protection system

RRB: rear roller brush

SFH: slotted fillister head

SHH: slotted hex head

SHWH: slotted hex washer head

SPH: slotted pan head

SQH: square head

SRH: slotted round head

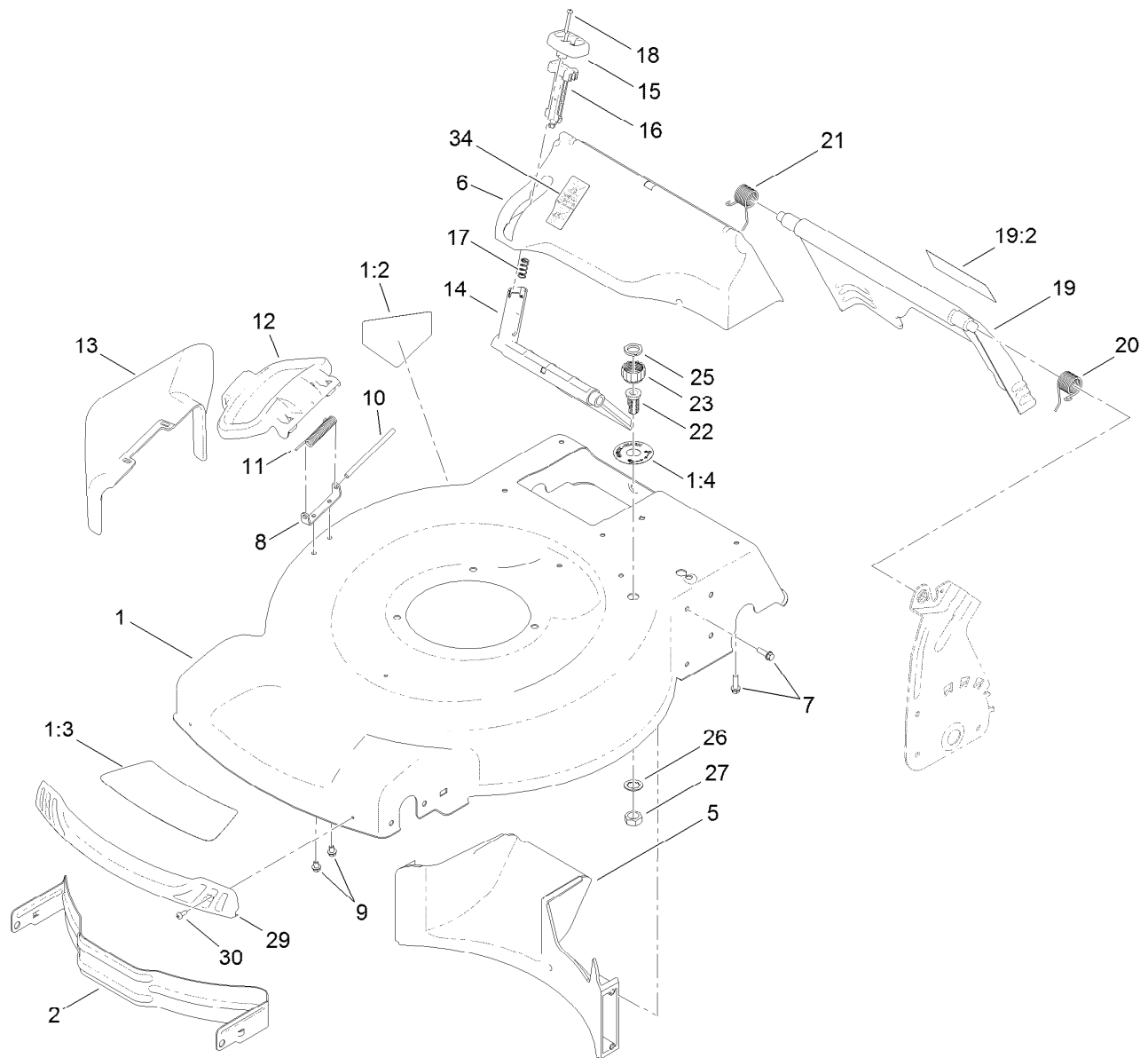
STD: standard

TAP: self tapping

TTH: torx truss head

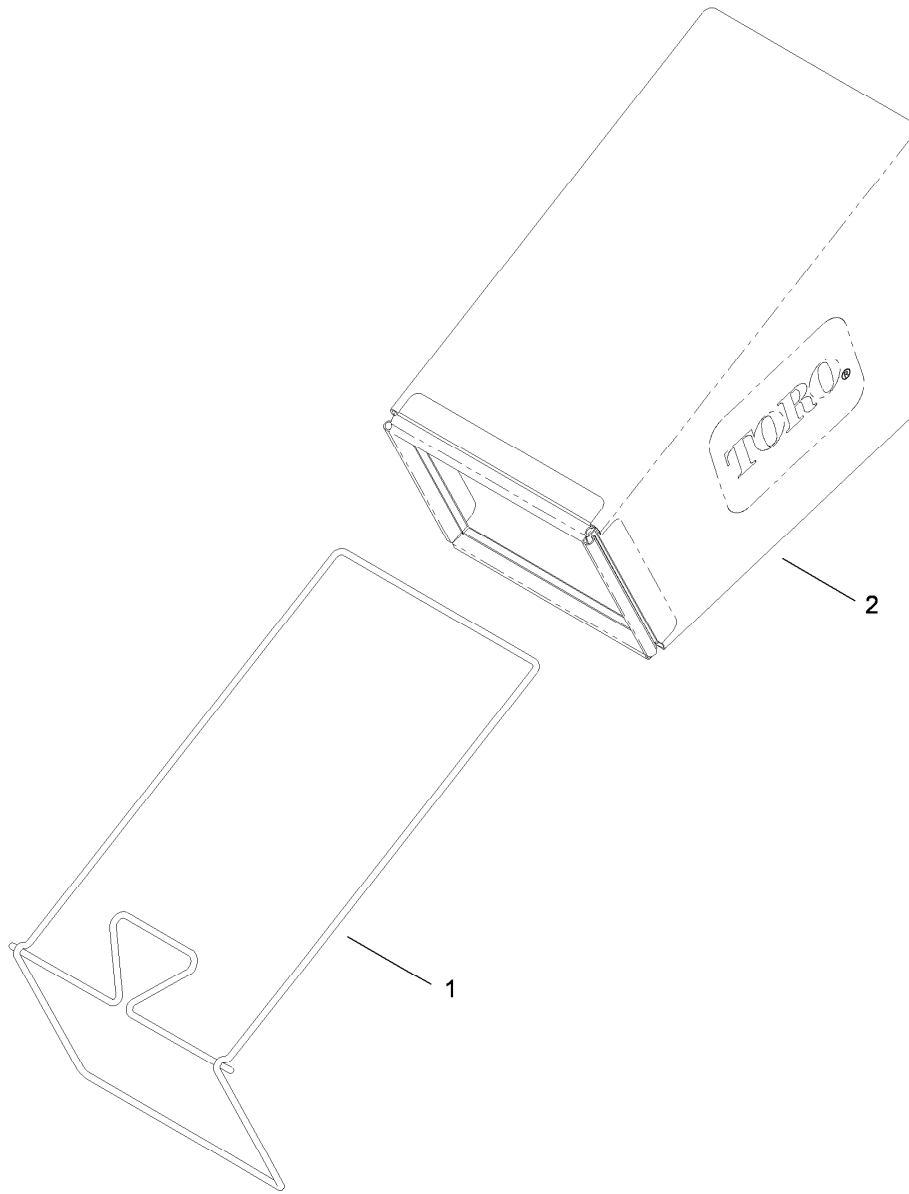
Contents

| | |
|--|----|
| Deck, Side Chute and Rear Door Assembly | 4 |
| Rear Bag Assembly | 5 |
| Engine and Blade Assembly | 6 |
| Front Wheel and Height-of-Cut Assembly | 7 |
| Transmission and Rear Wheel Drive Assembly | 8 |
| Handle Assembly | 9 |
| Attachments and Accessories | 10 |



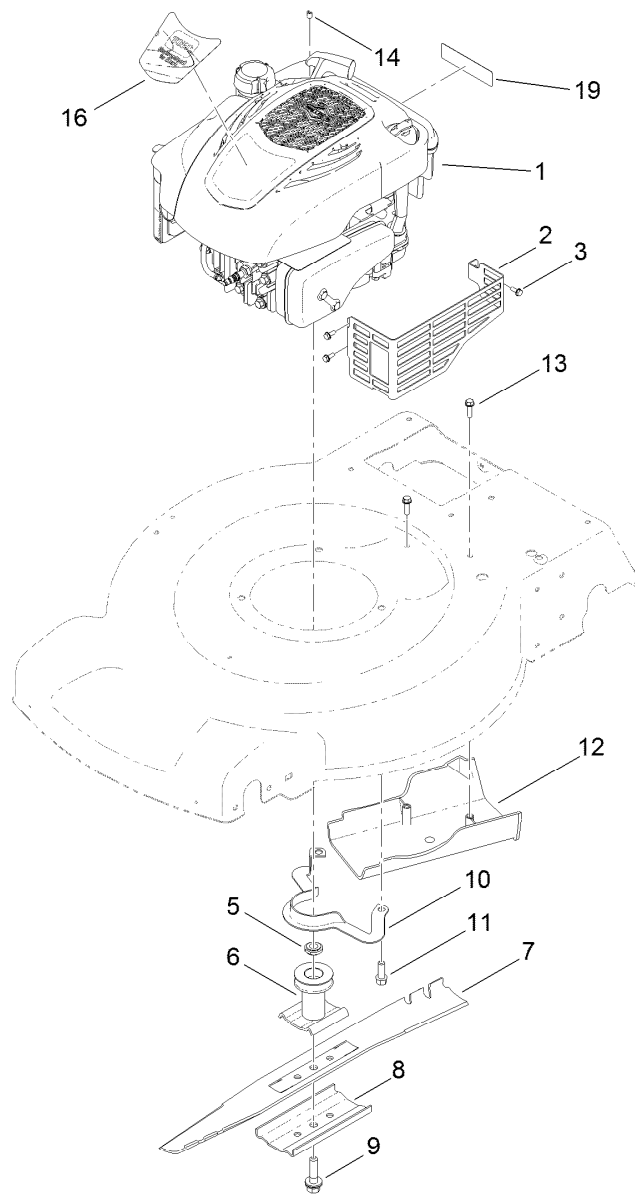
Deck, Side Chute and Rear Door Assembly

| <i>Ref.</i> | <i>Part Number</i> | <i>Qty.</i> | <i>Description</i> | <i>Ref.</i> | <i>Part Number</i> | <i>Qty.</i> | <i>Description</i> |
|-------------|--------------------|-------------|-----------------------|-------------|--------------------|-------------|-----------------------------|
| 1 | 117-1084 | 1 | Housing ASM | 16 | 114-7959 | 1 | Latch-Recycle |
| 1:2 | 94-8072 | 1 | Decal-Danger | 17 | 117-1031 | 1 | Spring-Compression |
| 1:3 | 115-4676 | 1 | Decal-Recycler | 18 | 32104-120 | 2 | Screw-PPH |
| 1:4 | 112-8867 | 1 | Decal-Port, Washout | 19 | 121-5776 | 1 | Rear Door ASM |
| 2 | 114-7963-01 | 1 | Baffle-Front | 19:2 | 114-7982 | 1 | Decal-Warning |
| 5 | 114-7961 | 1 | Baffle-Rear | 20 | 115-2859 | 1 | Spring-Torsion |
| 6 | 115-4677 | 1 | Chute-Recycle | 21 | 114-7924 | 1 | Spring-Torsion |
| 7 | 46-8091 | 9 | Screw-HWH | 22 | 112-6400 | 1 | Port-Washout |
| 8 | 112-6416 | 1 | Bracket-Cover | 23 | 112-6401 | 1 | Coupling-Hose, Washout Port |
| 9 | 99-8445 | 2 | Screw-HWH, Taptite | 25 | 112-6438 | 1 | Washer-Seal, Washout Port |
| 10 | 99-5291 | 1 | Rod-Cover | 26 | 3254-5 | 1 | Washer-Tooth, Internal |
| 11 | 99-5293 | 1 | Spring-Torsion | 27 | 3218-6 | 1 | Nut-Jam |
| 12 | 115-8449 | 1 | Deflector-Side | 29 | 114-7987 | 1 | Bumper |
| 13 | 115-8447 | 1 | Chute-Discharge, Side | 30 | 105-6849 | 2 | Screw-Thread Forming |
| 14 | 114-7960 | 1 | Deflector-Recycle | 34 | 117-5928 | 1 | Decal-Bag On Demand |
| 15 | 114-7958 | 1 | Knob-Recycle | | | | |



Rear Bag Assembly

| <i>Ref.</i> | <i>Part Number</i> | <i>Qty.</i> | <i>Description</i> |
|-------------|--------------------|-------------|--------------------|
| 1 | 114-2679-03 | 1 | Frame-Bag |
| 2 | 115-4673 | 1 | Grass Bag ASM |

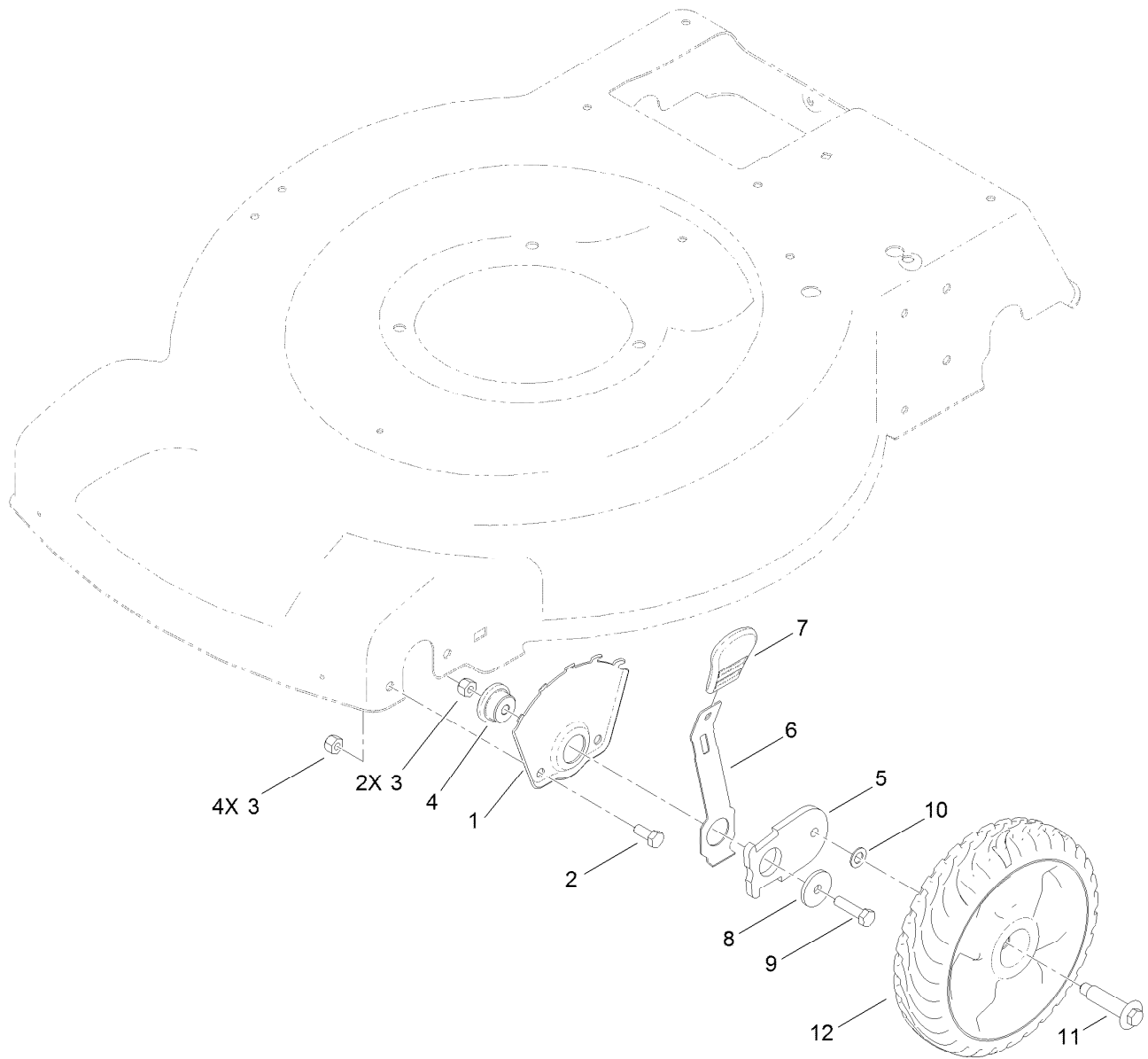


Engine and Blade Assembly

| Ref. | Part Number | Qty. | Description |
|------|-------------|------|----------------------------------|
| 1 | | 1 | Engine-Briggs, 128M02-3120-F1 ●■ |
| 2 | 104-7577-03 | 1 | Shield-Muffler |
| 3 | 32144-1 | 3 | Screw-Taptite |
| 5 | 106-3999 | 1 | Spacer-Driver |
| 6 | 106-3987 | 1 | Blade Driver ASM |
| 7 | 108-9764-03 | 1 | Blade-22 Inch |
| 8 | 108-3766-03 | 1 | Support-Blade |
| 9 | 105-8579 | 1 | Bolt-Blade |
| 10 | 105-3030-03 | 1 | Guide-Belt |
| 11 | 95-1726 | 3 | Screw-Taptite |
| 12 | 114-7937 | 1 | Cover-Belt |
| 13 | 46-8091 | 2 | Screw-HWH |
| 14 | 2210-316 | 1 | Stop-Rope |
| 16 | 121-2371 | 1 | Decal-Shroud |
| 19 | 117-2718 | 1 | Decal-Arrester, Spark |

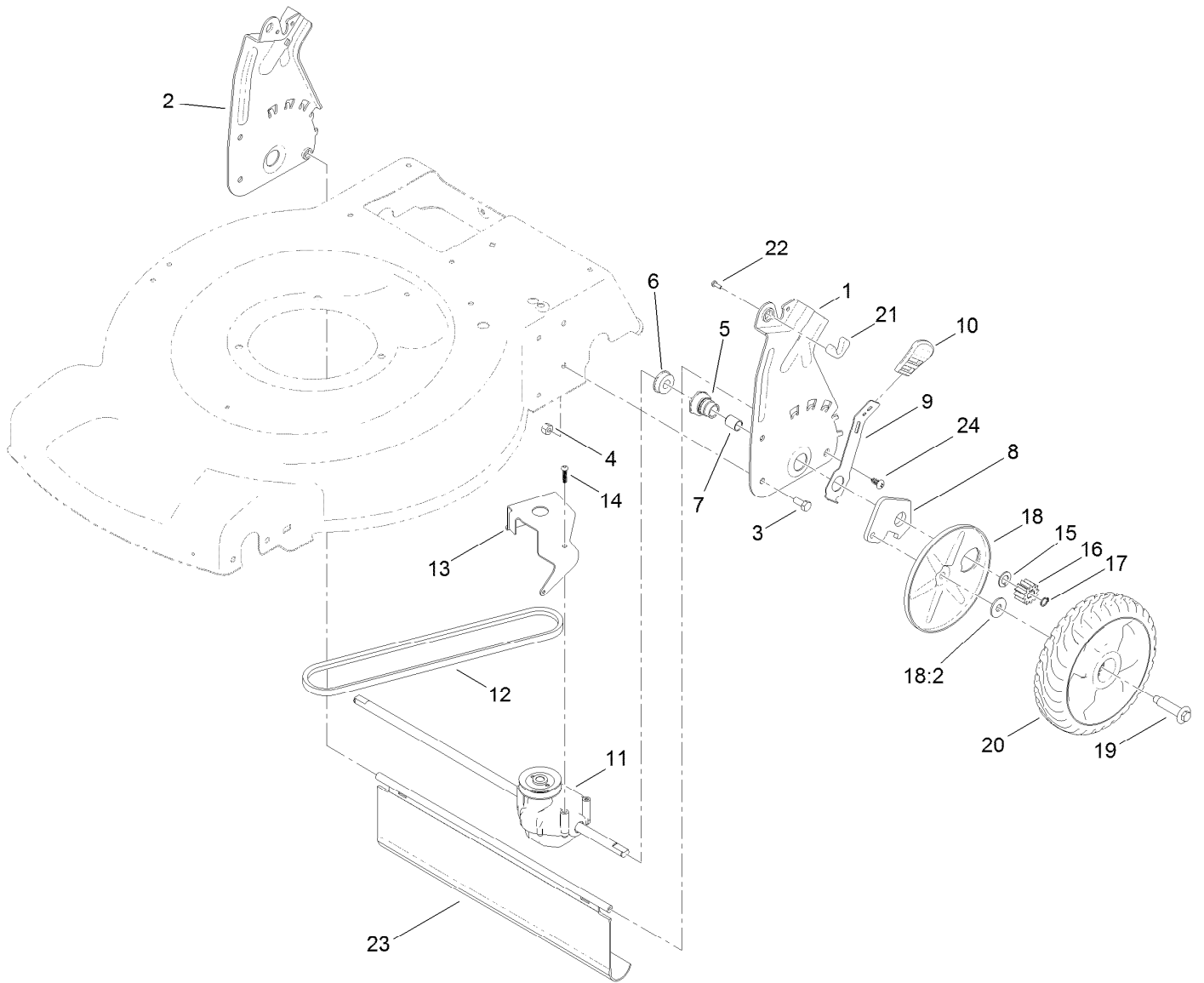
● Not serviced separately

■ Obtain parts from www.briggsandstratton.com



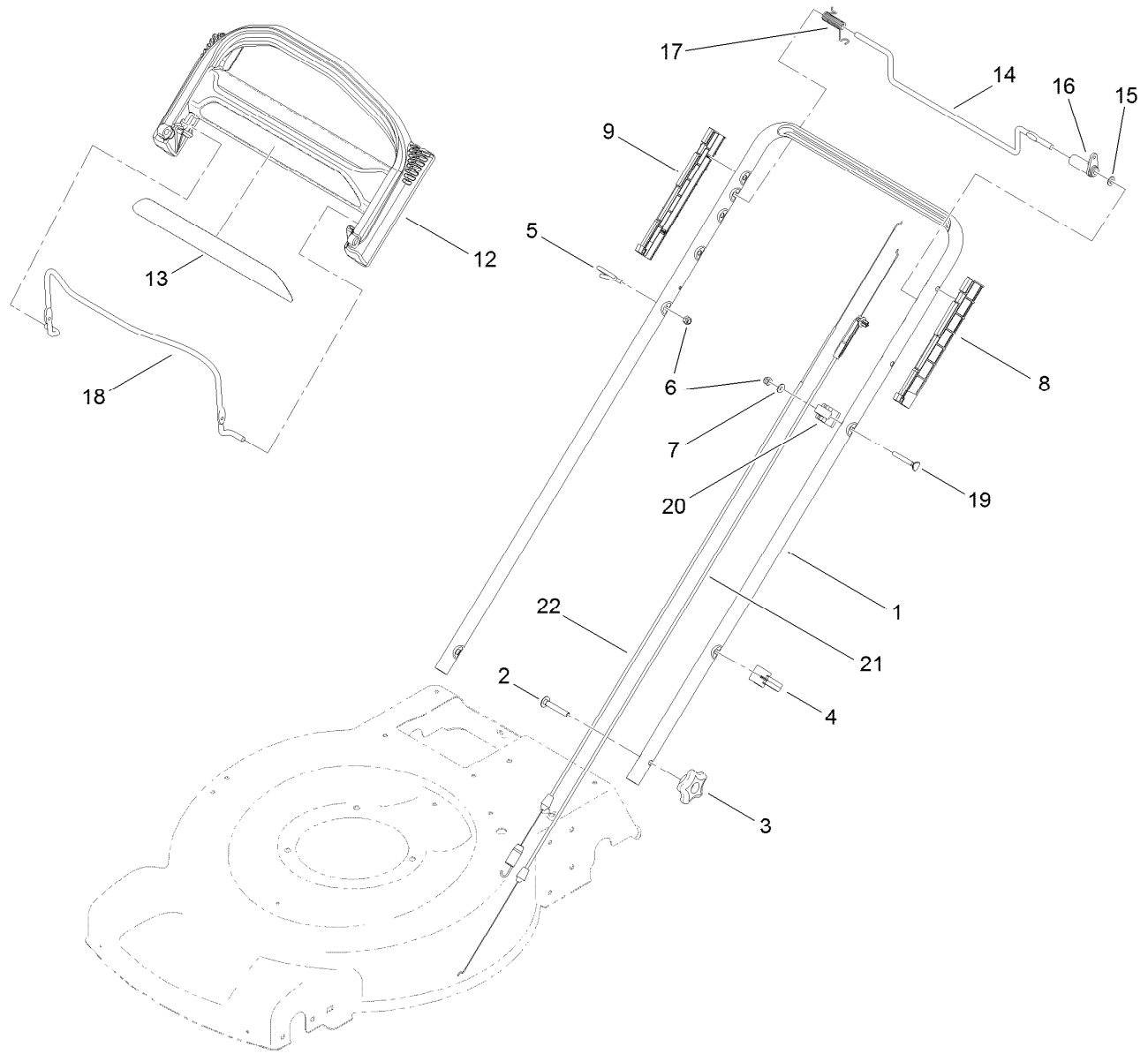
Front Wheel and Height-of-Cut Assembly

| Ref. | Part Number | Qty. | Description |
|------|-------------|------|--------------------|
| 1 | 115-1956-03 | 2 | Plate-HOC, Front |
| 2 | 322-3 | 4 | Screw-HH |
| 3 | 3296-29 | 6 | Nut-Lock, NI |
| 4 | 105-1818 | 2 | Bushing-Mount, HOC |
| 5 | 105-1807 | 2 | Arm-Pivot, Front |
| 6 | 105-1809 | 2 | Arm-Spring |
| 7 | 110-0549 | 2 | Knob-HOC |
| 8 | 105-3048 | 2 | Washer-Flat |
| 9 | 322-6 | 2 | Screw-HH |
| 10 | 40-1940 | 2 | Washer |
| 11 | 614650 | 2 | Bolt-Shoulder |
| 12 | 115-2894 | 2 | 8 Inch Wheel ASM |



Transmission and Rear Wheel Drive Assembly

| <i>Ref.</i> | <i>Part Number</i> | <i>Qty.</i> | <i>Description</i> | <i>Ref.</i> | <i>Part Number</i> | <i>Qty.</i> | <i>Description</i> |
|-------------|--------------------|-------------|-----------------------|-------------|--------------------|-------------|-----------------------|
| 1 | 114-7955-03 | 1 | Plate-Rear, LH (HOC) | 14 | 108-7476 | 3 | Screw-Plastite |
| 2 | 114-7956-03 | 1 | Plate-Rear, RH (HOC) | 15 | 110-7191 | 2 | Washer-Thrust |
| 3 | 322-3 | 4 | Screw-HH | 16 | 115-4668 | 2 | Gear-Pinion, 12T |
| 4 | 3296-29 | 4 | Nut-Lock, NI | 17 | 32151-61 | 2 | Ring-Retaining |
| 5 | 108-9779 | 2 | Retainer-Bushing, HOC | 18 | 110-1792 | 2 | Wheel Cover ASM |
| 6 | 104-8699 | 2 | Bearing-Ball | 18:2 | 614426 | 1 | Washer-Stepped |
| 7 | 108-9782 | 2 | Bushing-Sleeve | 19 | 614650 | 2 | Bolt-Shoulder |
| 8 | 108-9781 | 2 | Arm-Pivot, Rear | 20 | 115-4695 | 2 | 8 Inch Wheel Gear ASM |
| 9 | 108-9780 | 2 | Arm-Spring | 21 | 115-8406 | 2 | Anchor-Bag |
| 10 | 110-0549 | 2 | Knob-HOC | 22 | 105-9437 | 2 | Screw-PPH |
| 11 | 115-4652 | 1 | Transmission | 23 | 115-2893 | 1 | Shield-Trailing |
| 12 | 115-4669 | 1 | Belt-V | 24 | 117-1092 | 2 | Screw-PTH |
| 13 | 114-7977-03 | 1 | Bracket-Transmission | | | | |



Handle Assembly

| <i>Ref.</i> | <i>Part Number</i> | <i>Qty.</i> | <i>Description</i> | <i>Ref.</i> | <i>Part Number</i> | <i>Qty.</i> | <i>Description</i> |
|-------------|--------------------|-------------|----------------------|-------------|--------------------|-------------|-----------------------|
| 1 | 119-3810-05 | 1 | Handle | 13 | 117-1019 | 1 | Decal |
| 2 | 3230-6 | 2 | Screw-CARR | 14 | 99-1588 | 1 | Bar-Control, Traction |
| 3 | 117-5976 | 2 | Knob-Handle, Locking | 15 | 3256-23 | 1 | Washer-Flat |
| 4 | 114-7988 | 1 | Guide-Cable | 16 | 99-1589 | 1 | Lever-Traction |
| 5 | 86-9671 | 1 | Guide-Rope | 17 | 104-8690 | 1 | Spring-Torsion |
| 6 | 3296-73 | 2 | Nut-Lock, NI | 18 | 104-8679-03 | 1 | Bail-Brake |
| 7 | 3256-1 | 1 | Washer-Flat | 19 | 95-4453 | 1 | Screw |
| 8 | 105-6842 | 1 | Guide-LH | 20 | 99-5239 | 1 | Anchor-Cable |
| 9 | 105-6841 | 1 | Guide-RH | 21 | 115-8437 | 1 | Cable-Brake |
| 12 | 104-8678 | 1 | Handle-Control | 22 | 115-8435 | 1 | Cable-Traction |

Attachments and Accessories

For 20352 22in Recycler Lawn Mower

| Product Name | Model/Part |
|------------------------------------|-------------------|
| Traction Assist Handle Kit..... | 108-8120 |
| Loose Parts Kit | 117-4124 |
| Replacement Bag | 59310 |
| Replacement Frame and Bag Kit..... | 59312 |
| 22in Blade Kit..... | 59534 |

Notes:



Count on it.