



Count on it.

Parts Catalog

Sand/Infield Pro® 3040 Traction Unit

Model No. 08703—Serial No. 270000001 and Up



Ordering Replacement Parts

To order replacement parts, please supply the part number, the quantity, and the description of each part desired.

Understanding Reference Numbers

Each identified part in an illustration has a reference number. The reference number for a part also appears in the parts list, along with other information about the part.

This catalog uses two special reference number formats, one to indicate parts in a service assembly and another to indicate the quantity of a given part in an illustration.

Service Assembly Reference Numbers

Parts in service assemblies have reference numbers in the form a:b. The a represents the reference number of the entire service assembly and the b represents a sequential number unique to each part within the service assembly.

For example, a wheel assembly might be identified by reference number 6, the tire by 6:1, the valve by 6:2, and the wheel by 6:3. When you order the assembly identified by reference number 6, you receive all parts identified by reference numbers 6:1, 6:2, and 6:3. However, you may also order any part individually. Reference numbers of this type appear in illustration and in parts lists.

Reference Numbers Indicating Quantity

In an illustration, if a reference number indicates more than one part, the reference number has the form nX y. The n represents the quantity of the part, the X is the multiplication symbol, and the y represents the reference number.

For example, in an illustration, the reference number 2X 37 means that two of the parts identified by reference number 37 are indicated.

List of Abbreviations

AR: as required

ASM: assembly

BBC: blade brake control

BHTF: button head thread forming

CARR: carriage

CCW: counter clockwise

CW: clockwise

DEG: degrees

DPA: Dual Point Adjustment

ECM: electronic control module

EXT: external

FH: flat head

GA: gauge

HD: heavy-duty

HF: hex flange

HH: hex head

HHF: hex head flange

HHFTF: hex head flange thread forming

HJ: hex jam

HLH: hex lag head

HOC: height-of-cut

HSBH: hex socket button head

HSFH: hex socket flat head

HSH: hex socket head

HWH: hex washer head

HWHTF: hex washer head thread forming

HYD: hydraulic

LH: left hand

LPG: Liquid Propane Gas

NI: nylon insert

NPTF: national pipe thread fine

PFH: phillips flat head

PPH: phillips pan head

PPHTF: phillips pan head thread forming

PRH: phillips round head

PTH: phillips truss head

PTO: power-take-off

RH: right hand

ROPS: roll-over protection system

RRB: rear roller brush

SFH: slotted fillister head

SHH: slotted hex head

SHWH: slotted hex washer head

SPH: slotted pan head

SQH: square head

SRH: slotted round head

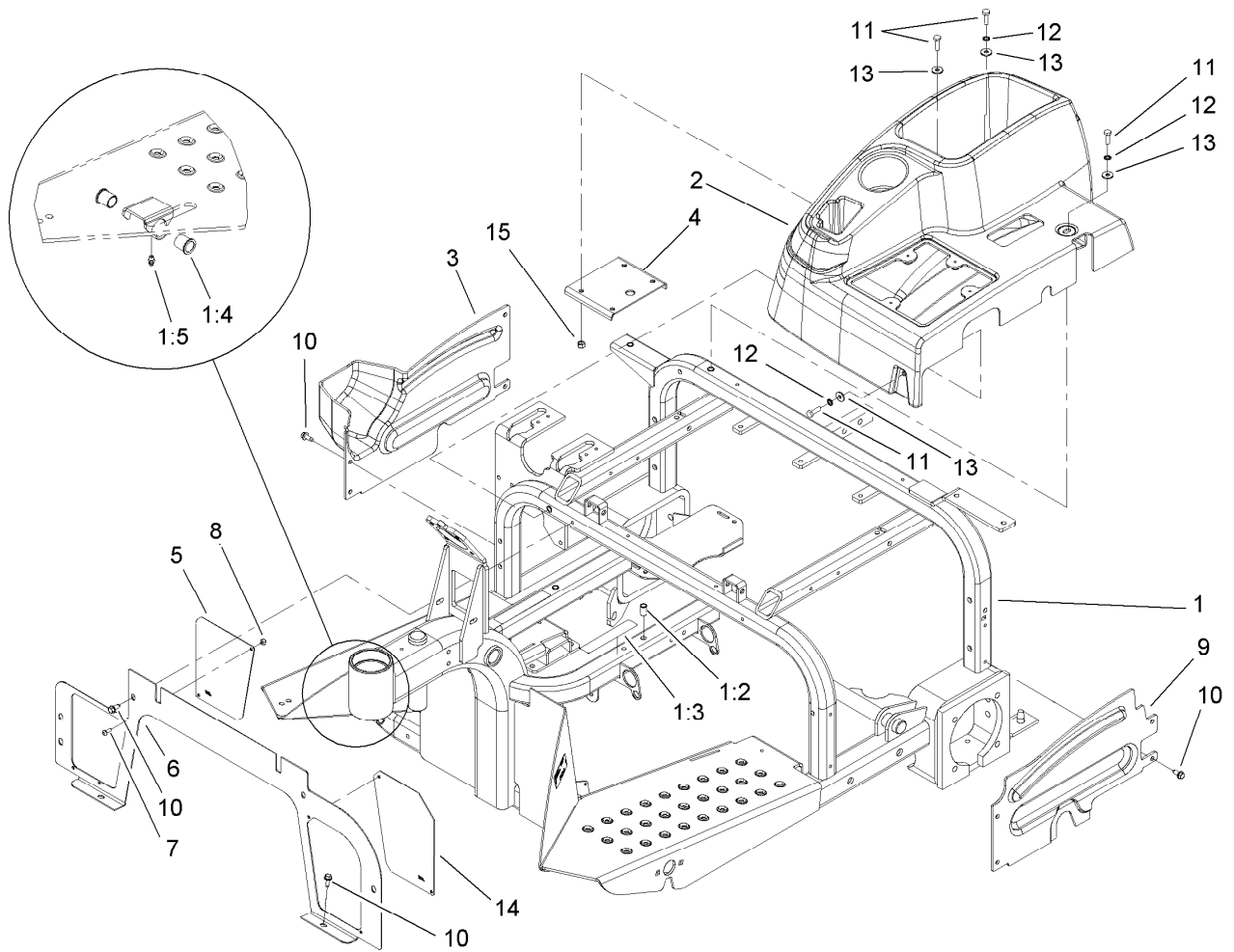
STD: standard

TAP: self tapping

TTH: torx truss head

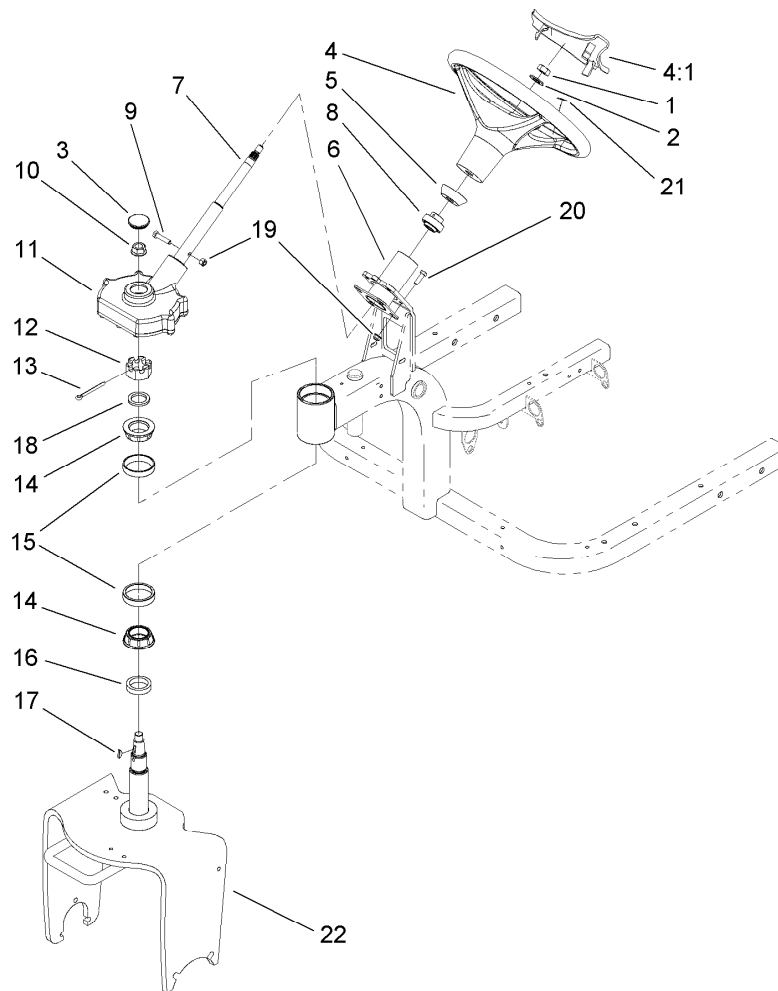
Contents

Frame and Console Assembly	4
Steering Assembly	5
Steering Box Assembly No. 107-3526	6
Fuel Tank and Battery Assembly	7
Front Wheel Assembly	8
Hydraulic Motor Assembly No. 108-2948	10
Rear Wheel Assembly	11
Hydraulic Motor Assembly No. 108-2949	12
Hydraulic Motor Assembly No. 108-2947	13
Traction Pedal Assembly	14
Pump Control Lever Assembly	15
Engine Installation Assembly	16
Pump and Coupling Assembly	17
Variable Piston Pump Assembly No. 108-2934	18
Hydraulic Tank, Filter and Cooler Assembly	20
Lift Valve and Rear Tube Assembly	21
Valve Assembly No. 43-1710-01	22
Seat and Shroud Assembly	23
Wire Harness, Air Cleaner and Hose Assembly	24
Air Cleaner Assembly No. 93-2190	25
Rear Hitch Assembly	26
Hydraulic Cylinder Assembly No. 110-1338	27
Cylinder Assembly Briggs and Stratton 305447-0178-E1	28
Crankcase Assembly Briggs and Stratton 305447-0178-E1	29
Crankshaft Assembly Briggs and Stratton 305447-0178-E1	30
Cylinder Head Assembly Briggs and Stratton 305447-0178-E1	31
Oil Filter, Tube and Pump Assembly Briggs and Stratton 305447-0178-E1	32
Carburetor Assembly Briggs and Stratton 305447-0178-E1	33
Governor Assembly Briggs and Stratton 305447-0178-E1	34
Flywheel Assembly Briggs and Stratton 305447-0178-E1	35
Blower Housing Assembly Briggs and Stratton 305447-0178-E1	36
Starter Assembly Briggs and Stratton 305447-0178-E1	37
358 Engine Gasket Set Briggs and Stratton 305447-0178-E1	38
1095 Valve Gasket Set and 121 Carburetor Overhaul Kit Briggs and Stratton 305447-0178-E1	39
Attachments and Accessories	40



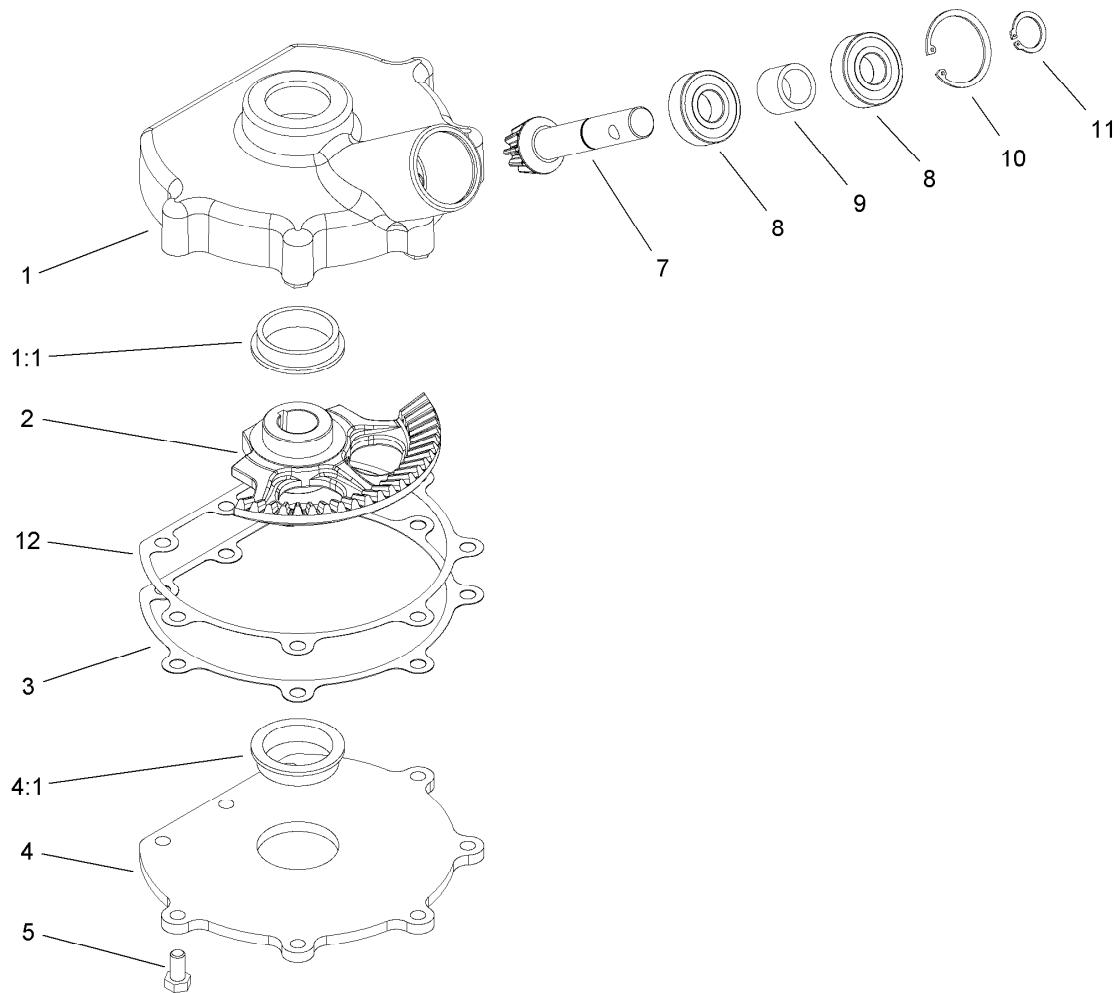
Frame and Console Assembly

<i>Ref.</i>	<i>Part Number</i>	<i>Qty.</i>	<i>Description</i>
1	110-3367	1	Frame ASM
1:2	32148-11	5	Insert-Threaded
1:3	93-7272	2	Decal-Warning
1:4	256-219	2	Bushing
1:5	302-58	1	Fitting-Straight
2	108-2936	1	Console
3	108-6855	1	Shroud-Wheel, RH
4	108-7995-03	1	Plate-Support, Console
5	108-6854-01	1	Screen-Shroud
6	112-1443-01	1	Panel-Front
7	3290-321	4	Screw-HWH
8	3296-2	4	Nut-Lock, NI
9	108-6856	1	Shroud-Wheel, LH
10	32144-10	12	Screw-HWH
11	321-5	7	Screw-HH
12	3254-8	3	Washer-Lock
13	3256-78	7	Washer-Flat
14	108-7907-01	1	Screen-Panel, LH
15	32128-33	4	Nut-HF



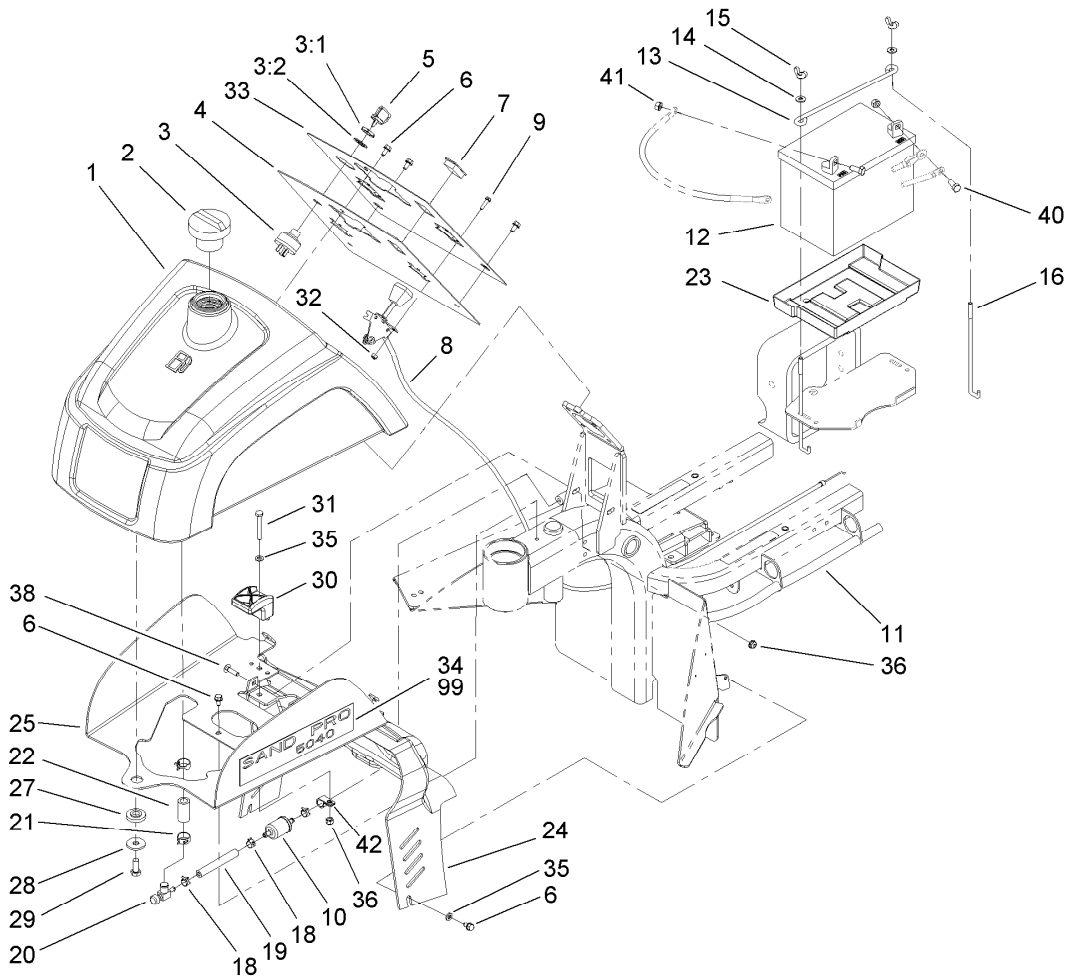
Steering Assembly

<i>Ref.</i>	<i>Part Number</i>	<i>Qty.</i>	<i>Description</i>
1	3296-33	1	Nut-Lock, NI
2	3256-27	1	Washer-Flat
3	107-3532	1	Grommet
4	98-1471	1	Wheel-Steering
4:1	98-1468	1	Cover-Wheel, Steering
5	93-5429	1	Collar-Foam
6	107-3540-03	1	Tube ASM
7	107-3533	1	Shaft-Steering
8	106-8448	1	Bearing-Race, Extended
9	322-7	1	Screw-HH
10	32128-54	1	Nut-HF
11	107-3526	1	Steering Box ASM
12	32136-9	1	Nut-Hex, Slotted
13	3272-37	1	Pin-Cotter
14	107-7589	2	Cone-Bearing (W/ Seal)
15	107-7590	2	Cup-Bearing
16	108-5432	1	Spacer-Bearing
17	3257-5	1	Key-Woodruff
18	110-8195	1	Washer-Steering
19	104-8300	5	Nut-Flange, NI
20	322-5	4	Screw-HH
21	98-1459	1	Decal
22	107-3543-01	1	Fork ASM



Steering Box Assembly No. 107-3526

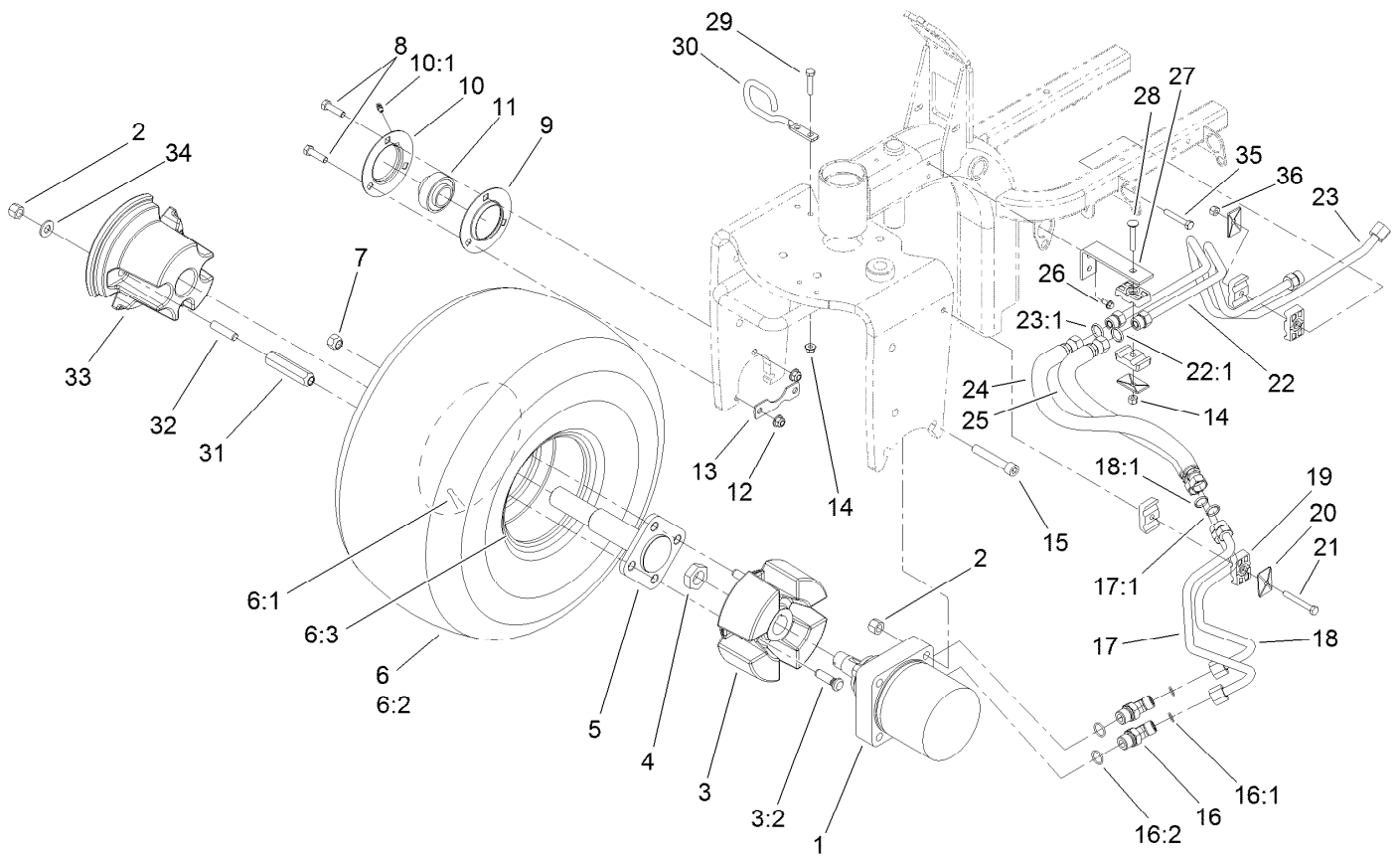
<i>Ref.</i>	<i>Part Number</i>	<i>Qty.</i>	<i>Description</i>
1	108-4520	1	Steering Cover ASM
1:1	92-6869	1	Bushing
2	107-3520	1	Gear-Sector
3	107-3529	1	Gasket-Steering
4	107-3524	1	Steering Plate ASM
4:1	92-6869	1	Bushing
5	322-2	8	Screw-HH
7	107-3527	1	Gear-Pinion
8	38-7820	2	Bearing-Ball
9	108-4502	1	Spacer
10	107-3530	1	Ring-Retaining
11	32151-12	1	Ring-Retaining
12	108-8442	3	Shim-Plate, Steering



Fuel Tank and Battery Assembly

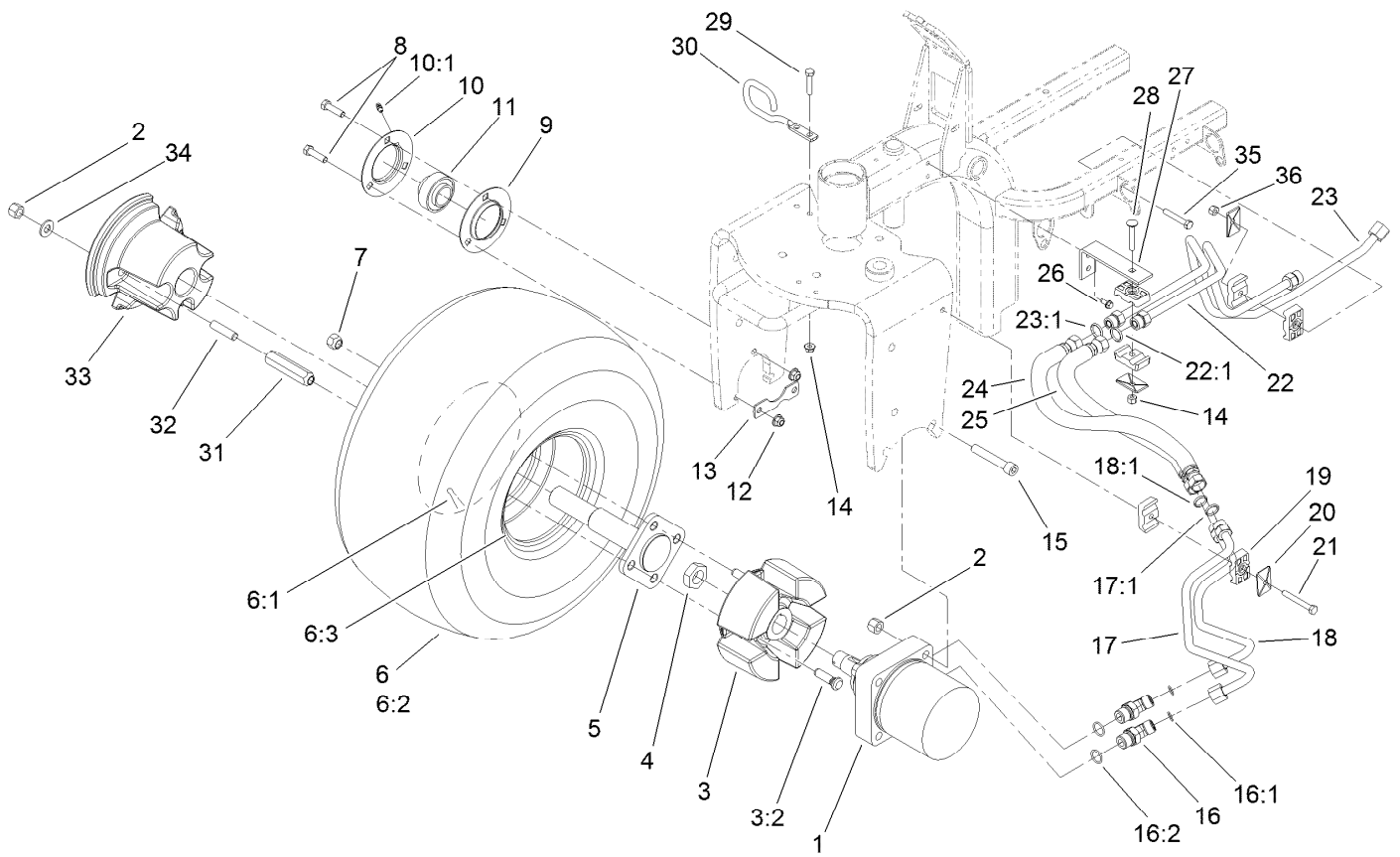
Ref.	Part Number	Qty.	Description
1	108-2938	1	Tank-Fuel
2	93-7170	1	Cap-Fuel
3	83-0020	1	Switch-Ignition
3:1	218-461	1	Nut-HH
3:2	3254-5	1	Washer-Tooth, Internal
4	108-6896-03	1	Panel-Dash
5	63-8360	2	Key-Ignition (W/Shield)
6	32144-10	6	Screw-HWH
7	99-7420	1	Plug-Hole
8	108-7946	2	Cable ASM
9	3290-321	4	Screw-HWH
10	94-2690	1	Filter-Fuel
11	110-3372	1	Hose-Fuel
12	104-8162	1	Battery
13	72-4790	1	Hold Down-Battery
14	3256-22	2	Washer-Flat
15	32103-22	2	Nut-Wing
16	56-7720	2	Post-Battery
18	2412-98	4	Clamp-Hose
19	109-0660	1	Hose-Fuel
20	83-1390	1	Valve-Shut-Off, Fuel

Ref.	Part Number	Qty.	Description
21	2412-36	2	Clamp-Hose
22	110-3371	1	Hose-Fuel
23	106948	1	Tray-Battery
24	108-6898	1	Shroud-Dash
25	108-6895-01	1	Bracket-Mount, Tank
27	240-11	1	Bushing-Flange
28	63-8410	1	Washer
29	323-5	1	Screw-HH
30	107-4543	2	Clamp
31	321-15	2	Screw-HH
32	3296-2	4	Nut-Lock, NI
33	108-8487	1	Decal-Dash
34	108-8420	2	Decal
35	3256-78	4	Washer-Flat
36	104-7201	4	Nut-HF
38	3229-1	2	Bolt-CARR
40	322-3	2	Screw-HH
41	3217-6	2	Nut-Hex
42	2412-73	1	Clamp-R
99	108-8422	2	Decal



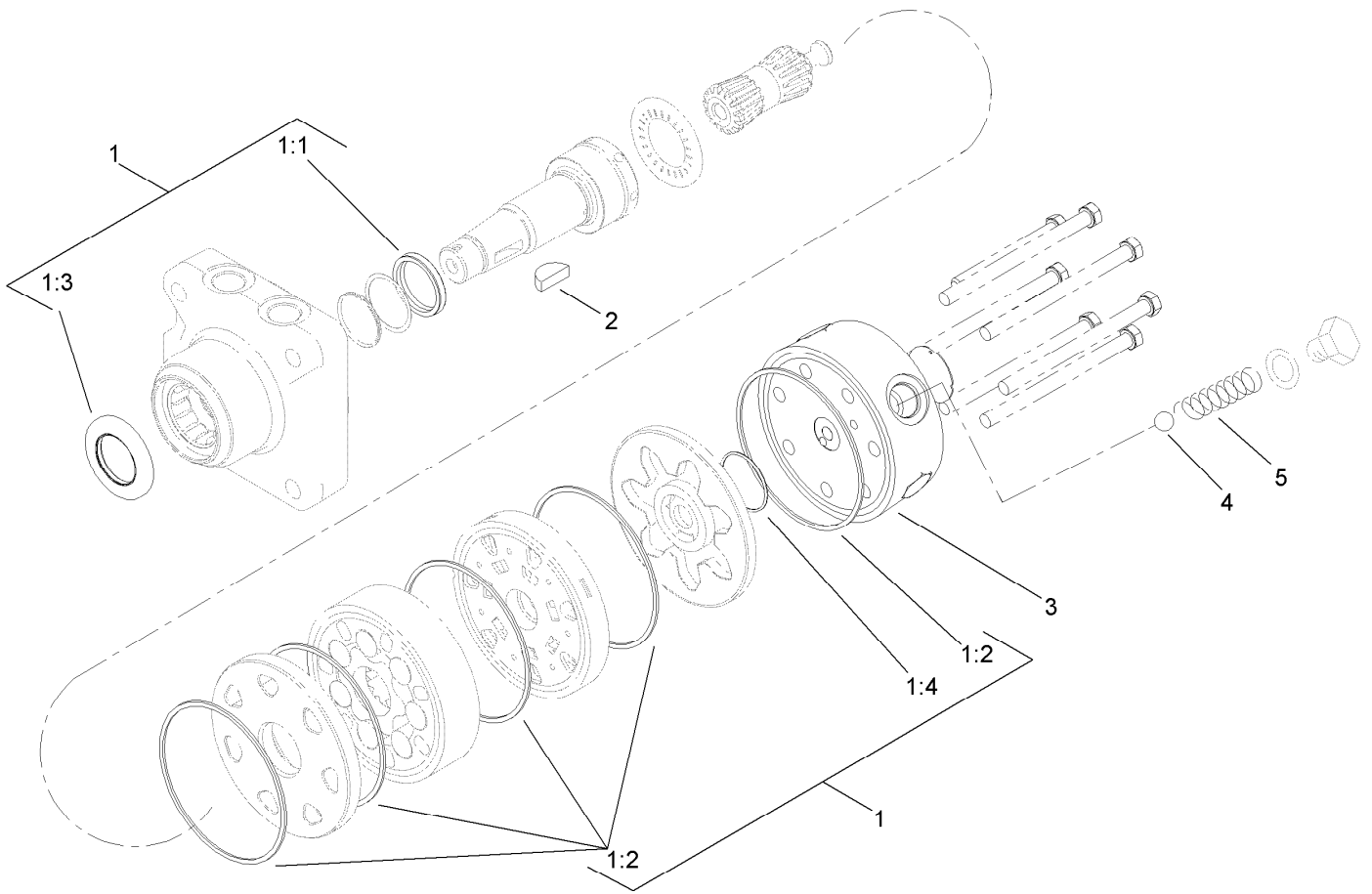
Front Wheel Assembly

Ref.	Part Number	Qty.	Description	Ref.	Part Number	Qty.	Description
1	108-2948	1	HYD Motor ASM (CW)	16:1	237-30	1	O-Ring
2	3296-23	4	Nut-Lock, NI	16:2	237-80	1	O-Ring
3	110-6310	1	Front Wheel Hub ASM	17	108-8432	1	Tube ASM
3:2	10-6830	4	Stud-Type, Drive	17:1	237-30	1	O-Ring
4	26-3790	1	Nut-Lock	18	108-8431	1	Tube ASM
5	110-6314	1	Spindle	18:1	237-30	1	O-Ring
6	95-0621	1	Wheel And Tire ASM	19	56-7976	6	Clamp-Tube
6:1	232-35	1	Valve Stem And Cap ASM	20	69-9760	3	Coverplate
6:2	85-8290	1	Tire-2Ply, Knobby	21	322-12	1	Screw-HH
6:3	94-6116	1	Wheel-Rear	22	108-8411	1	Tube ASM
7	242-50	2	Nut-Lug	22:1	237-30	2	O-Ring
8	323-8	3	Screw-HH	23	108-8409	1	Tube ASM
9	85-8950	1	Flangette-Standard	23:1	237-30	1	O-Ring
10	85-8940	1	Flangette-Relube	24	108-8433	1	HYD Hose ASM
10:1	302-5	1	Fitting-Grease	25	110-6303	1	HYD Hose ASM
11	251-352	1	Bearing	26	32144-14	2	Screw-HWHTF
12	104-8301	3	Nut-Flange, NI	27	108-8455-01	1	Bracket-Clamp
13	88-8350	1	Tab-Bearing	28	3230-6	1	Screw-CARR
14	104-8300	3	Nut-Flange, NI	29	322-7	2	Screw-HH
15	3274-93	2	Screw-HSH	30	108-8435	1	Guide-Hose
16	340-89	2	Fitting-HYD, 45 DEG	31	107-3399	2	Adapter-Weight, Wheel



Front Wheel Assembly (continued)

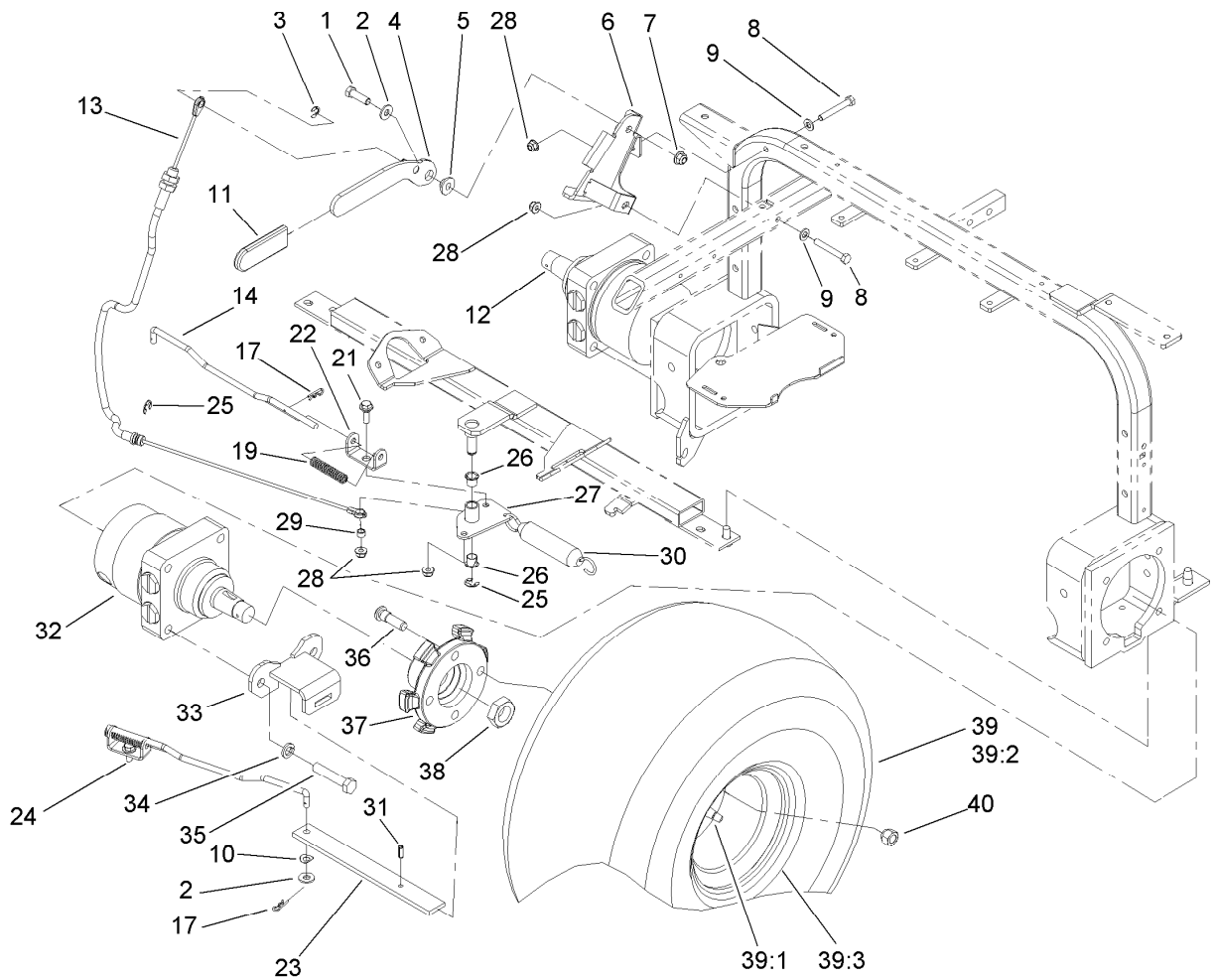
<i>Ref.</i>	<i>Part Number</i>	<i>Qty.</i>	<i>Description</i>	<i>Ref.</i>	<i>Part Number</i>	<i>Qty.</i>	<i>Description</i>
32	110-6311	2	Stud	35	322-10	1	Screw-HH
33	110-6312-03	1	Weight	36	3296-29	1	Nut-Lock, NI
34	87-7270	2	Washer-Thrust				



Hydraulic Motor Assembly No. 108-2948

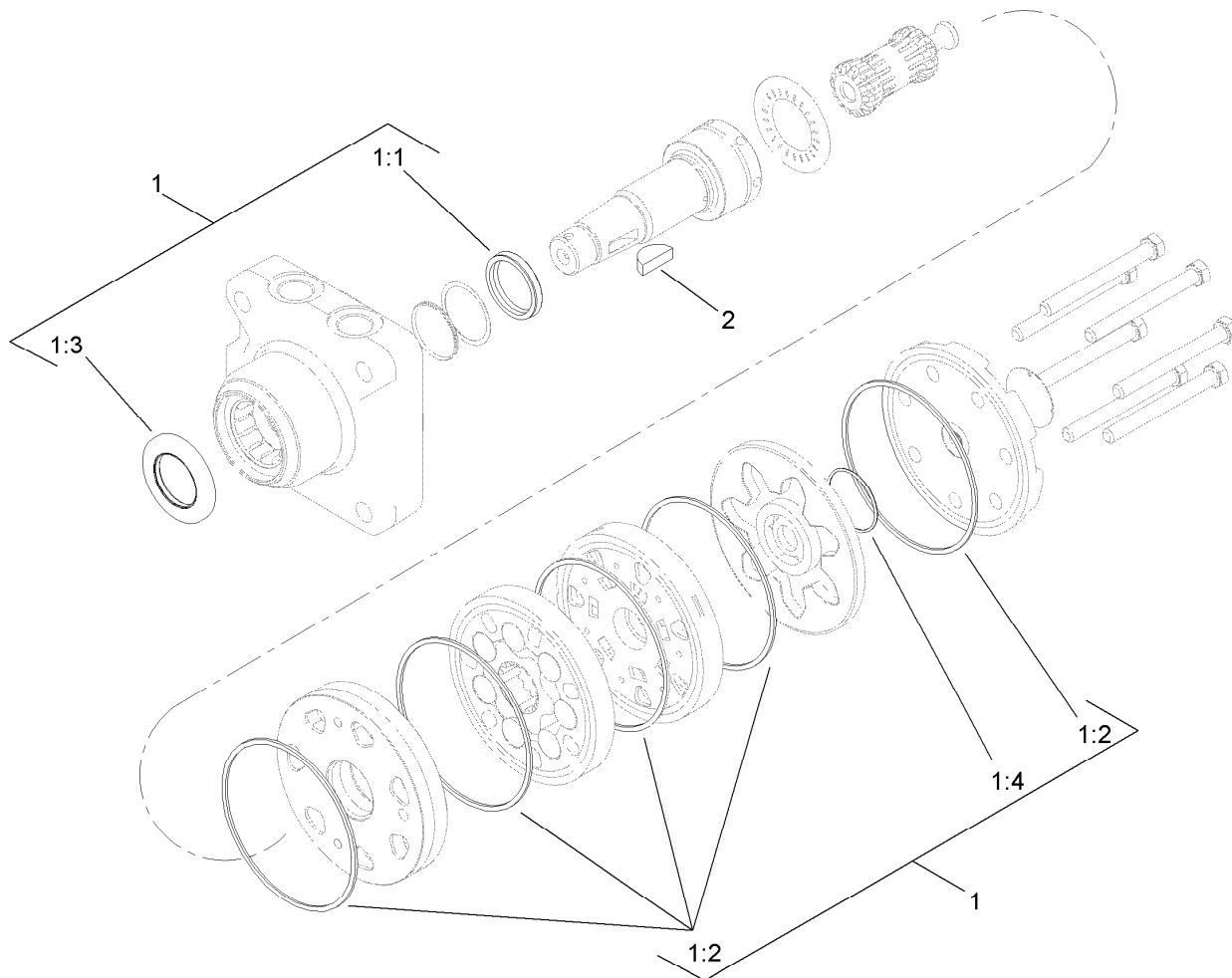
<i>Ref.</i>	<i>Part Number</i>	<i>Qty.</i>	<i>Description</i>
1	110-6459	1	Seal Kit
1:1		1	Seal-Shaft ●
1:2		5	Seal-Body ●
1:3		1	Seal-Dirt / Water ●
1:4		1	Seal-Commutator ●
2	3257-42	1	Key-Woodruff
3	99-3538	1	End Cover ASM
4	99-3540	1	Ball
5	99-3541	1	Spring

● Not serviced separately



Rear Wheel Assembly

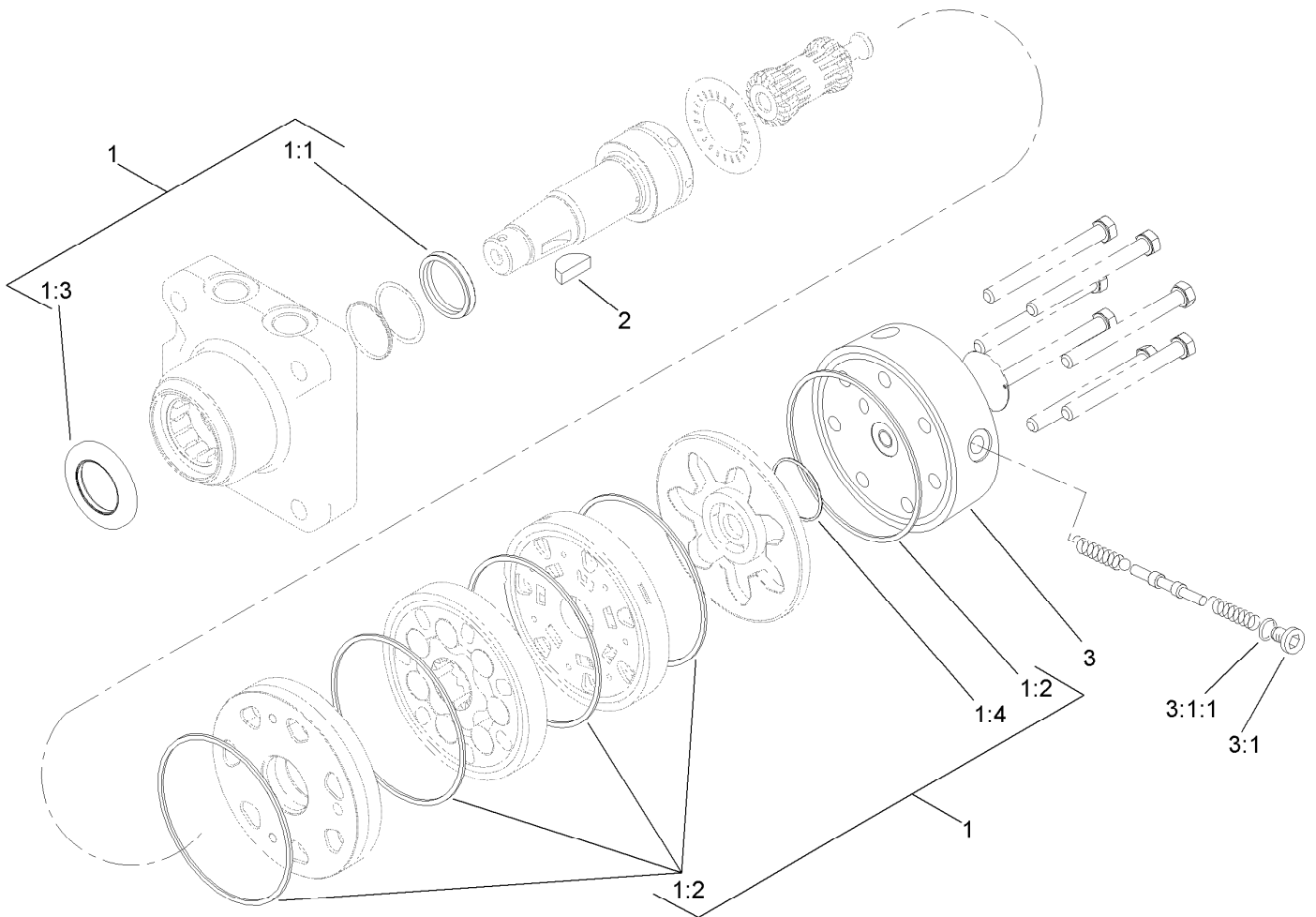
<i>Ref.</i>	<i>Part Number</i>	<i>Qty.</i>	<i>Description</i>	<i>Ref.</i>	<i>Part Number</i>	<i>Qty.</i>	<i>Description</i>
1	323-7	1	Screw-HH	25	32120-47	2	Ring-Retaining, External
2	3256-3	3	Washer-Flat	26	256-257	2	Bushing-Nyliner
3	32151-47	1	Ring-Retaining	27	108-7979-03	1	Bellcrank ASM
4	108-7991-03	1	Brake Lever ASM	28	104-8300	4	Nut-Flange, NI
5	108-7994	1	Bushing-Pivot, Lever	29	108-7983	1	Bushing-Cable
6	108-7988-03	1	Brake Lever Bracket ASM	30	66-4270	1	Spring-Extension
7	104-8301	1	Nut-Flange, NI	31	32121-11	2	Pin-Roll
8	322-11	2	Screw-HH	32	108-2947	1	HYD Motor ASM (CCW)
9	3256-23	2	Washer-Flat	33	108-7973-03	2	Brake Bracket ASM
10	3290-301	2	Washer-Spring	34	3253-7	8	Washer-Lock
11	21-1880	1	Grip-Handle	35	325-10	8	Screw-HH
12	108-2949	1	HYD Motor ASM (CW)	36	85-6540	8	Stud-Drive
13	108-7913	1	Cable-Brake, Park	37	108-7977-03	2	Hub-Wheel
14	108-7987	2	Link-Latch, Parking	38	26-3790	2	Nut-Lock
17	3290-307	4	Pin-Hair	39	95-0621	2	Wheel And Tire ASM
19	107-3376	2	Spring-Compression	39:1	232-35	1	Valve Stem And Cap ASM
21	19-1471	1	Screw-Shoulder	39:2	85-8290	1	Tire-2Ply, Knobby
22	106-8890	2	Clevis-Latch, Parking	39:3	94-6116	1	Wheel-Rear
23	108-7986-03	2	Bar-Brake	40	242-50	8	Nut-Lug
24	19-1470	1	Screw-Shoulder				



Hydraulic Motor Assembly No. 108-2949

<i>Ref.</i>	<i>Part Number</i>	<i>Qty.</i>	<i>Description</i>
1	110-6459	1	Seal Kit
1:1		1	Seal-Shaft ●
1:2		5	Seal-Body ●
1:3		1	Seal-Dirt / Water ●
1:4		1	Seal-Commutator ●
2	3257-42	1	Key-Woodruff

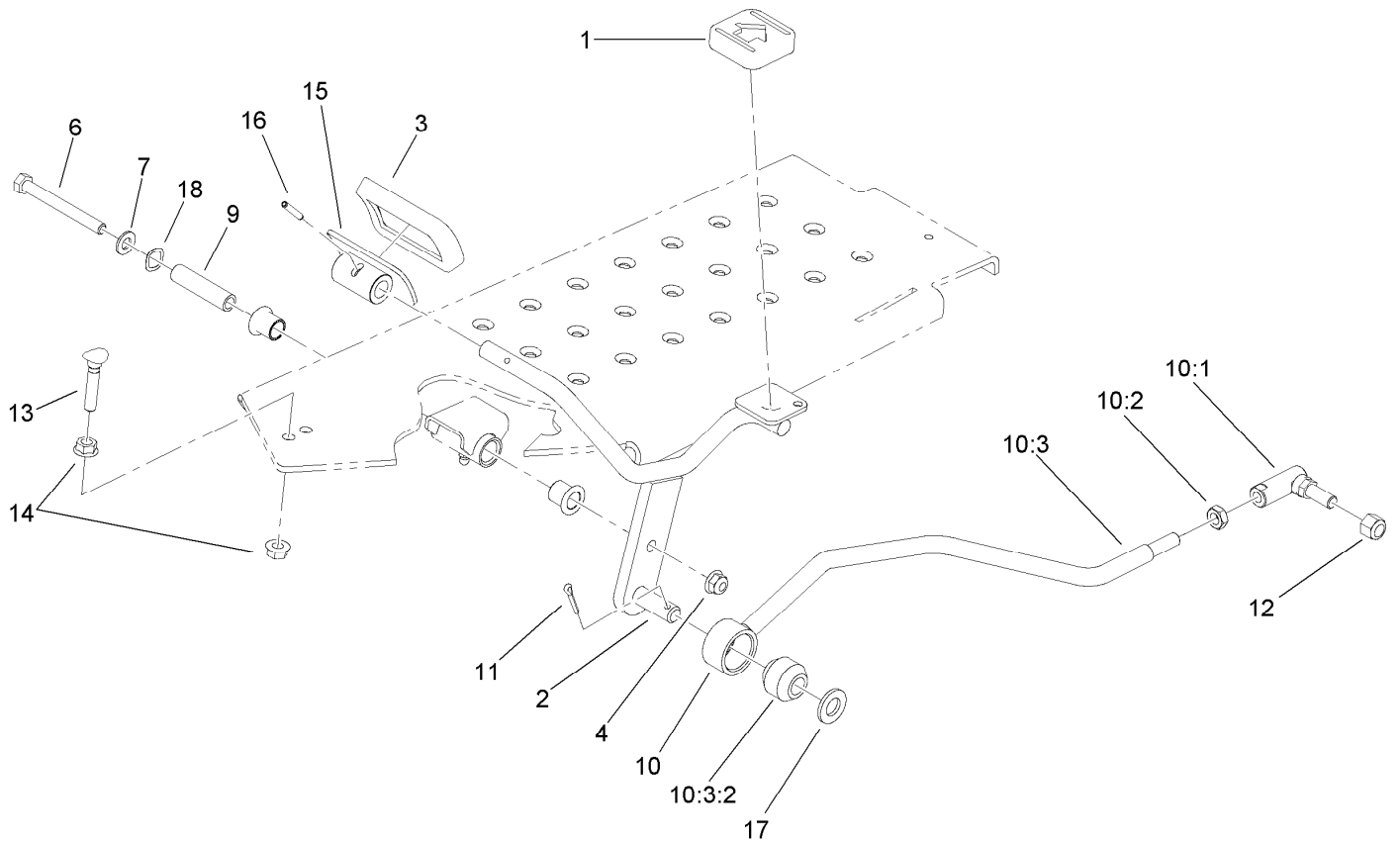
● Not serviced separately



Hydraulic Motor Assembly No. 108-2947

<i>Ref.</i>	<i>Part Number</i>	<i>Qty.</i>	<i>Description</i>
1	110-6459	1	Seal Kit
1:1		1	Seal-Shaft ●
1:2		5	Seal-Body ●
1:3		1	Seal-Dirt / Water ●
1:4		1	Seal-Commutator ●
2	3257-42	1	Key-Woodruff
3	110-3381	1	End Cover ASM
3:1	353-990	1	Plug
3:1:1	237-78	1	O-Ring

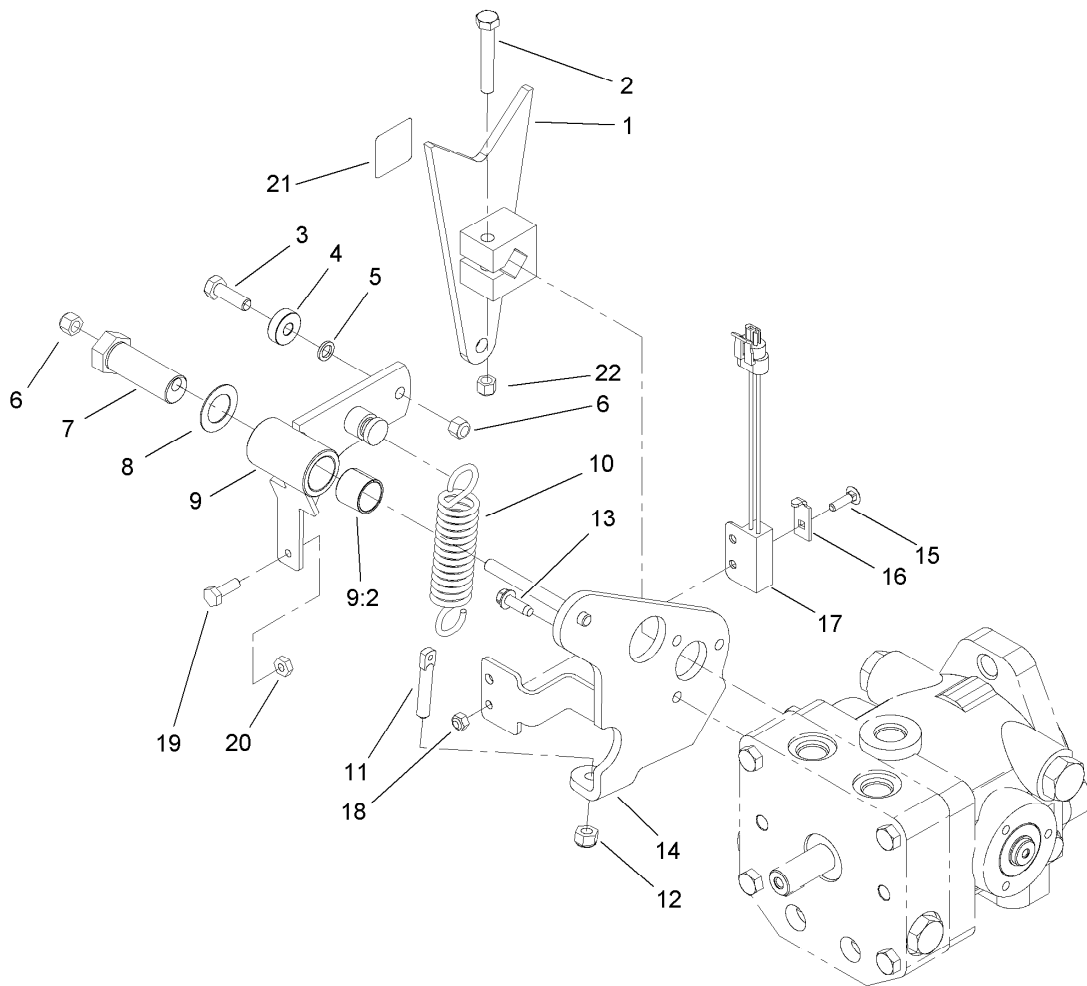
● Not serviced separately



Traction Pedal Assembly

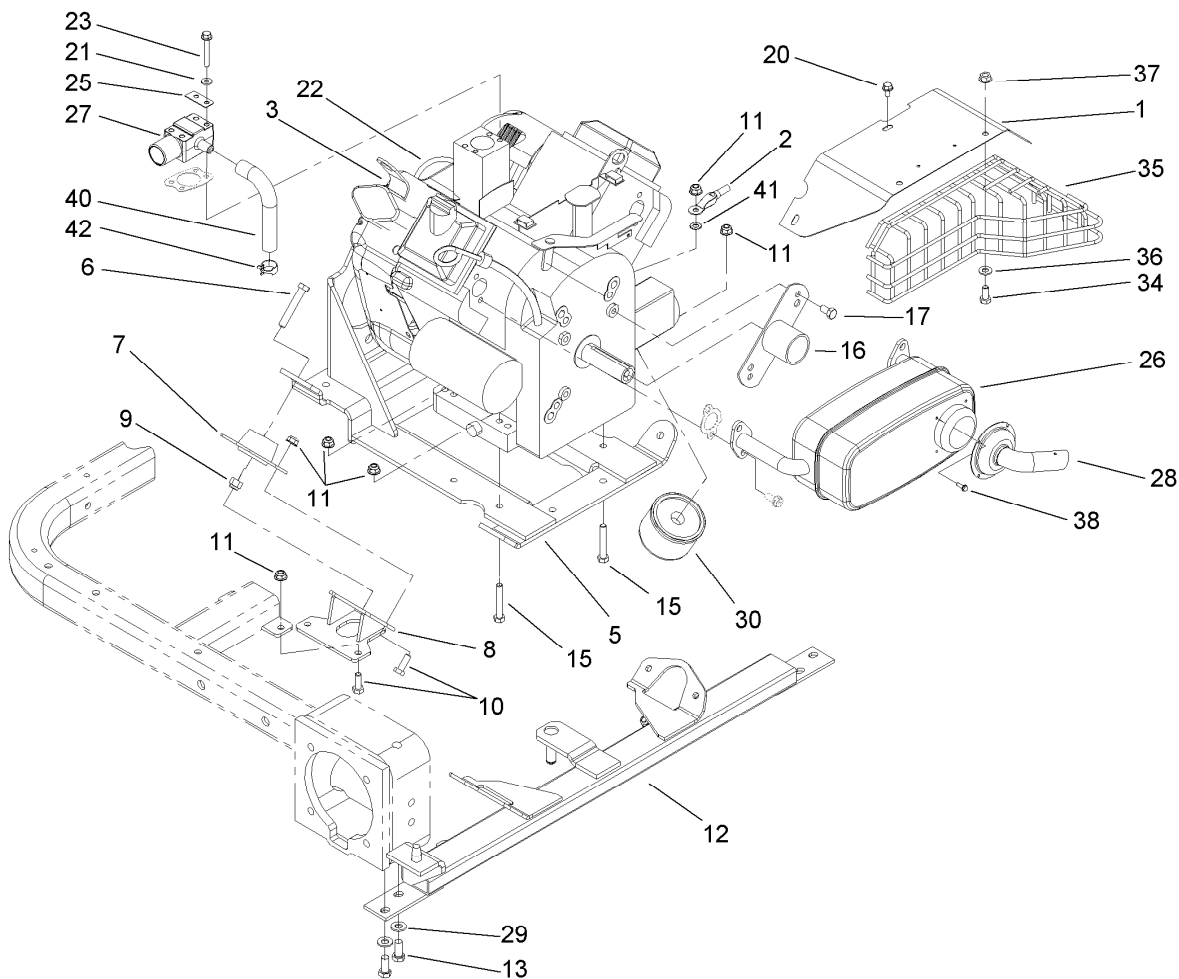
Ref.	Part Number	Qty.	Description
1	74-9110	1	Pad-Pedal, Reverse
2	108-5498-01	1	Pedal ASM
3	74-9100	1	Pad-Pedal, Forward
4	104-8300	1	Nut-Flange, NI
6	322-14	1	Screw-HH
7	3256-23	1	Washer-Flat
9	85-8960	1	Spacer
10		1	Traction Rod ASM ●
10:1	68-3840	1	Joint-Ball, RH Threaded
10:2	3220-3	1	Nut-HJ
10:3	110-8160	1	Rod ASM
10:3:2	23-2270	1	Bushing-Rubber
11	3272-10	1	Pin-Cotter
12	3296-6	1	Nut-Lock
13	17-9420	1	Screw-Handle
14	32128-20	2	Nut-HF
15	49-6440-03	1	Pedal-Forward
16	32121-45	1	Pin-Spring
17	106-9888	1	Washer-Flat
18	108473	1	Washer-Wave

● Not serviced separately



Pump Control Lever Assembly

Ref.	Part Number	Qty.	Description
1	112-6458-03	1	Pump Lever ASM
2	323-11	1	Screw-HH
3	322-5	1	Screw-HH
4	251-307	1	Bearing-Ball
5	75-5470	1	Spacer-Bearing
6	3296-29	2	Nut-Lock, NI
7	76-8640	1	Stud-Traction
8	3-6498	1	Washer-Thrust
9	108-5493	1	Arm ASM
9:2	94-9609	2	Bushing-Straight
10	85-9030	1	Spring-Extension
11	18-6380	1	Pin-Adjustment, Steering
12	3296-4	1	Nut-Lock
13	49-2040	3	Screw-HWHTF
14	108-5490-03	1	Pump Plate ASM
15	3229-20	1	Screw-CARR
16	100-4872	1	Plate-Switch, Neutral
17	105-0023	1	Switch-Proximity
18	3296-2	1	Nut-Lock, NI
19	321-4	1	Screw-HH
20	3218-1	1	Nut-Jam
21	93-9051	1	Decal-Bolt, Eccentric
22	3296-39	1	Nut-Lock, NI

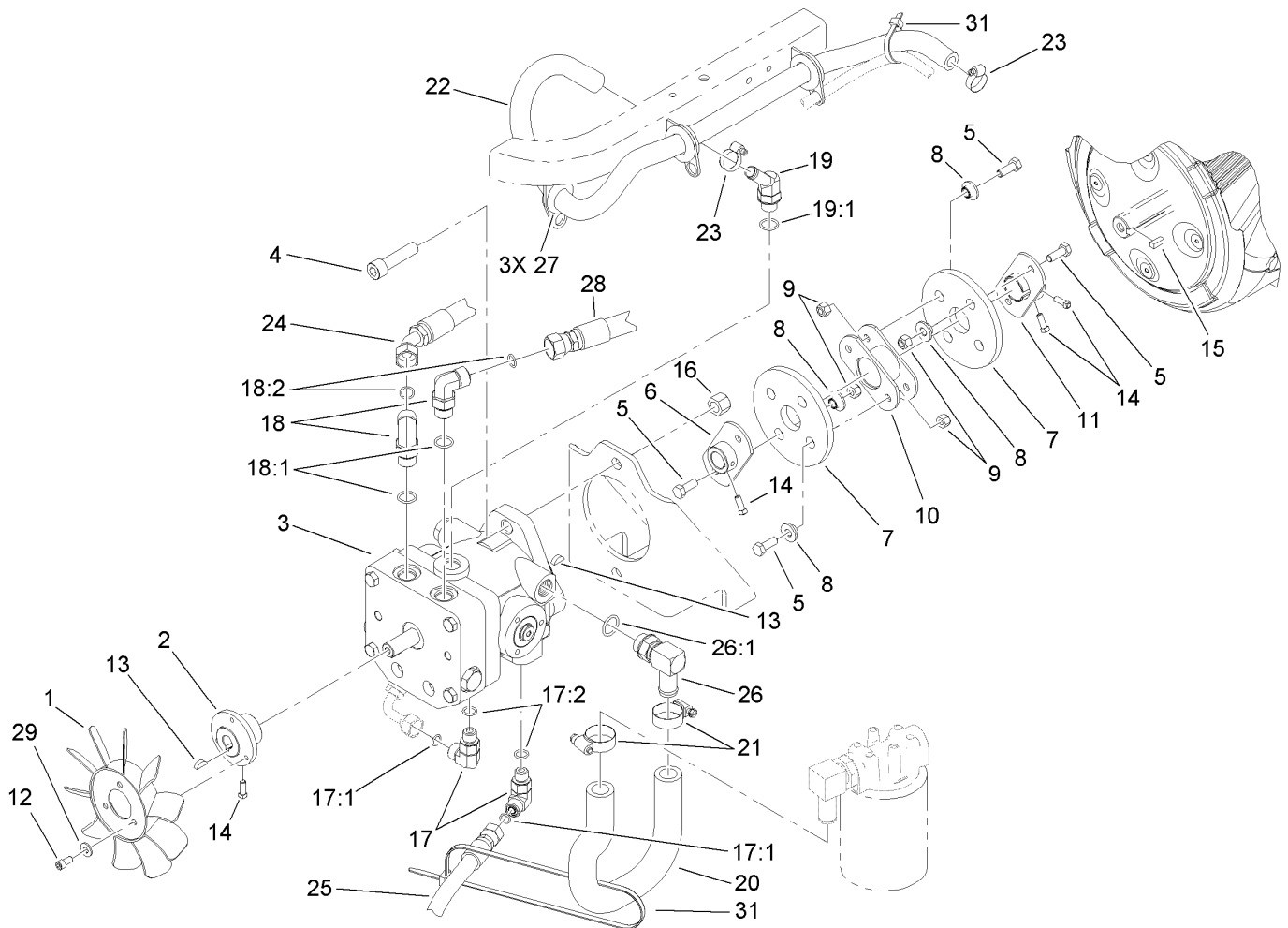


Engine Installation Assembly

Ref.	Part Number	Qty.	Description	Ref.	Part Number	Qty.	Description
1	95-5827-03	1	Shield-Muffler	21	3256-16	4	Washer-Flat
2	54-3093	1	Cable-Battery, Negative	22	110-8181	1	Hose-Fuel
3		1	Engine-Briggs & Stratton, 305447-0178-E1 ●■	23	33103-045	4	Screw-HHF
5	108-2809-03	1	Engine Support ASM	25	108-8427	2	Gasket-Carburetor
6	323-11	4	Screw-HH	26	108-7964	1	Muffler-Inlet, Dual
7	83-1030	4	Mount-Engine	27	108-2829	1	Adaptor-Carburetor
8	108-8474-01	2	Front Mount ASM	28	110-1306	1	Pipe-Tail
9	104-8301	4	Nut-Flange, NI	29	3256-24	4	Washer-Flat
10	322-4	12	Screw-HH	30	107-7817	1	Filter-Oil, Engine
11	104-8300	16	Nut-Flange, NI	34	322-3	3	Screw-HH
12	108-2819-01	1	Engine Mount ASM	35	110-6348-03	1	Shield-Exhaust
13	323-5	4	Screw-HH	36	3256-23	3	Washer-Flat
15	322-10	4	Screw-HH	37	32128-25	3	Nut-HF
16	95-0632-03	1	Cover ASM	38	32144-87	4	Screw-HWHTF
17	3210-2	2	Screw-HH	40	112-6461	1	Hose-Adapter, Carboretor
20	33103-012	3	Screw-HHF	41	3255-8	1	Washer-Lock
				42	2412-143	2	Clamp-Hose

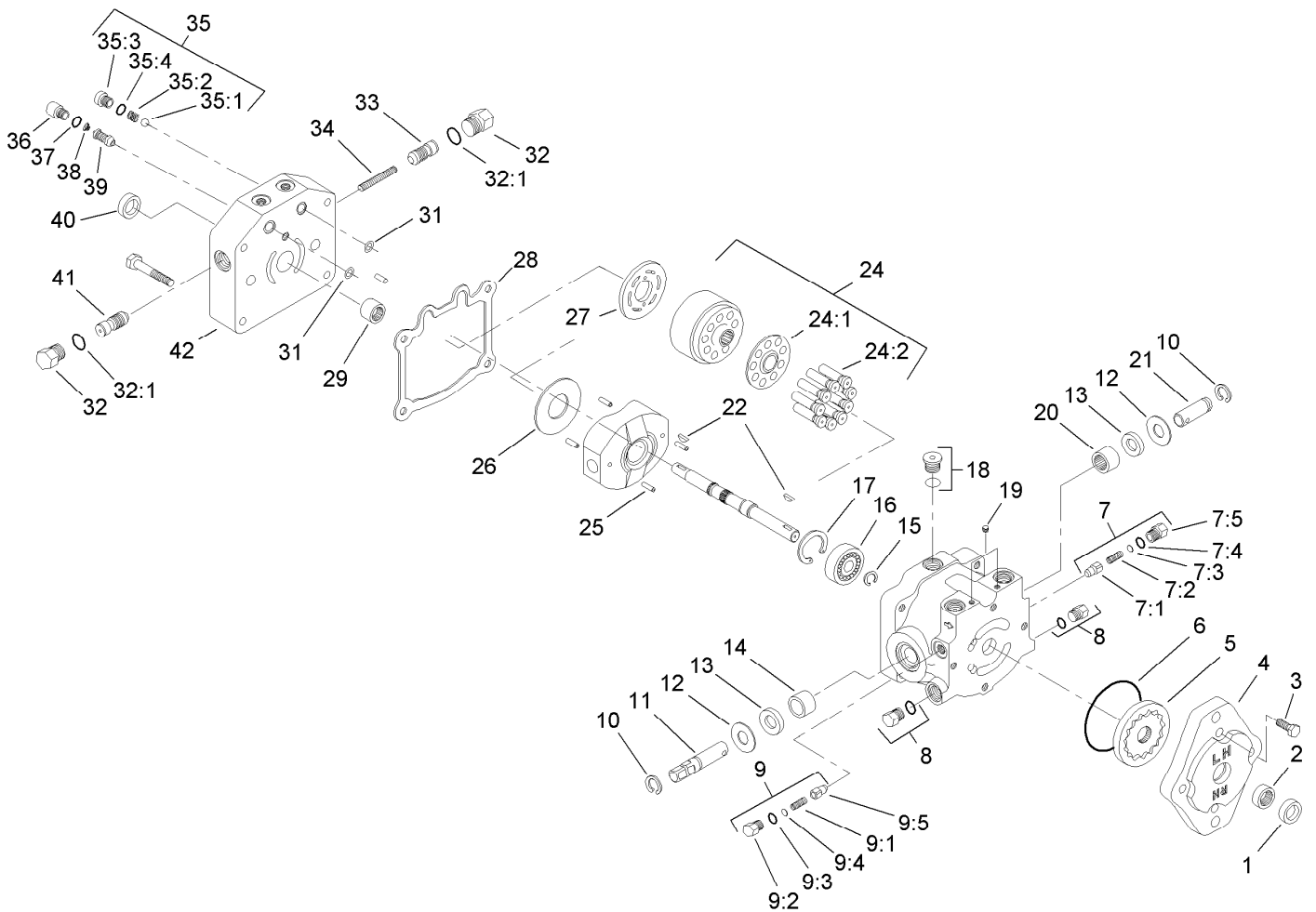
● Not serviced separately

■ Obtain parts from www.briggsandstratton.com



Pump and Coupling Assembly

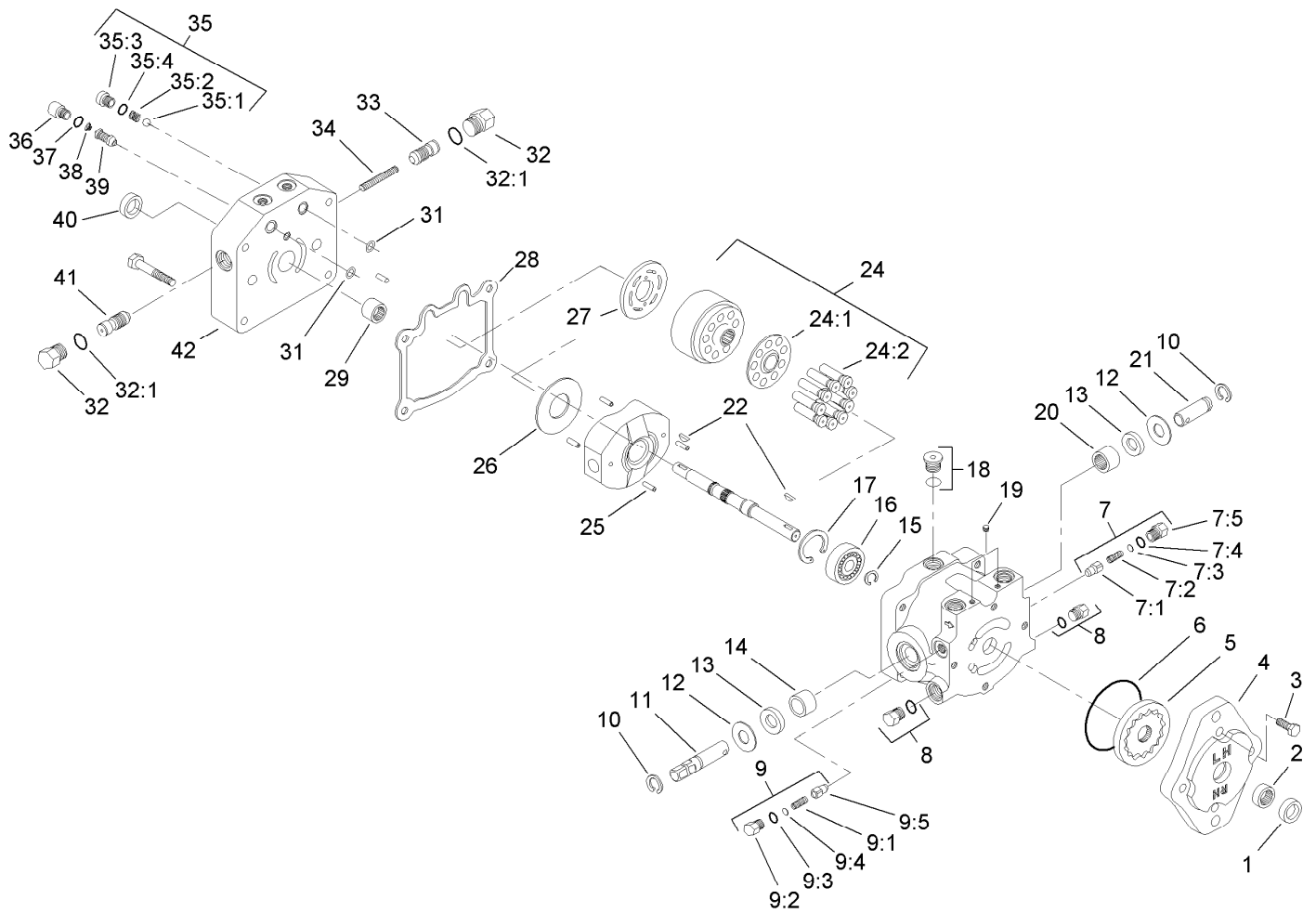
Ref.	Part Number	Qty.	Description	Ref.	Part Number	Qty.	Description
1	1-633869	1	Fan-Pump, Cooling	17:2	237-42	1	O-Ring
2	108-5484	1	Hub-Fan	18	340-98	2	Fitting-HYD, 90 DEG
3	108-2934	1	Pump-Piston, Variable	18:1	237-79	1	O-Ring
4	3274-5	2	Screw-HSH	18:2	237-30	1	O-Ring
5	322-4	8	Screw-HH	19	354-126	1	Fitting-HYD, 45 DEG
6	85-8700	1	Hub-Pump	19:1	237-79	1	O-Ring
7	80-8650	2	Coupling-Drive	20	108-5481	1	Hose-Suction
8	27-6600	8	Spacer-Coupling	21	2412-129	2	Clamp-Hose
9	3296-29	8	Nut-Lock, NI	22	110-1325	1	Hose-Return
10	85-8770	1	Coupling	23	2412-36	2	Clamp-Hose
11	85-8730	1	Hub-Engine	24	108-8440	1	Hose ASM
12	3274-52	3	Screw-HSH	25	108-8428	1	HYD Hose ASM
13	3257-32	2	Key-Woodruff	26	87-8170	1	Fitting
14	3241-7	6	Screw-SQH	26:1	237-80	1	O-Ring
15	85-9020	1	Key-Square	27	240-4	3	Grommet-Rubber
16	3296-23	2	Nut-Lock, NI	28	110-1322	1	HYD Hose ASM
17	340-77	2	Fitting-HYD, 90 DEG	29	3256-22	3	Washer-Flat
17:1	237-22	1	O-Ring	31	3290-379	2	Tie-Cable



Variable Piston Pump Assembly No. 108-2934

Ref.	Part Number	Qty.	Description	Ref.	Part Number	Qty.	Description
1	110-6337	1	Seal-Lip	16	95-5809	1	Bearing-Ball
2	67-8050	1	Bearing-Needle	17	32151-75	1	Ring-Retaining
3	322-4	4	Screw-HH	18	94-9172	1	Plug
4	25-2690	1	Housing-Pump, Charge	19	75-0160	1	Plug-Pipe
5	95-5812	1	Gerotor ASM	20	110-6339	1	Bearing-Needle
6	237-95	1	O-Ring	21	88-8200	1	Shaft-Trunnion
7	49-8520	1	Implement Relief Kit	22	3257-32	2	Key-Woodruff
7:1	83-7260	1	Cone-Relief, Charge	24	48-1800	1	Cylinder Block Kit
7:2	25-2570	1	Spring-Valve	24:1		1	Retainer-Slipper ●
7:3	25-2470	1	Pack-Shim	24:2		9	Piston ASM ●
7:4	237-86	1	O-Ring	25	32121-91	4	Pin-Spring
7:5	25-2460	1	Plug-HH	26	25-2510	1	Washer-Flat
8	67-8030	2	Plug ASM	27	88-8160	1	Plate-Valve
9	49-8510	1	Valve Kit	28	25-2400	1	Gasket
9:1	25-2480	1	Spring-Valve	29	110-6341	1	Bearing-Roller
9:2	25-2460	1	Plug-HH	31	112-7652	2	O-Ring
9:3	237-86	1	O-Ring	32	28-3440	1	Plug-Threaded
9:4	25-2470	1	Pack-Shim	32:1	75-0240	1	O-Ring
9:5	83-7260	1	Cone-Relief, Charge	33	98-0920	1	Valve-Acceleration
10	32151-46	2	Ring-Retaining	34	25-2610	1	Spring-Valve
11	88-8180	1	Shaft-Trunnion	35	99-5689	1	Check Valve Kit
12	25-2510	2	Washer-Flat	35:1	25-2490	1	Ball
13	103461	2	Seal	35:2	25-2640	1	Spring-Valve
14	88-8190	1	Bearing-Journal	35:3	25-2650	1	Plug-Valve, Check
15	94-3996	1	Ring-Retaining	35:4	237-86	1	O-Ring

● Not serviced separately

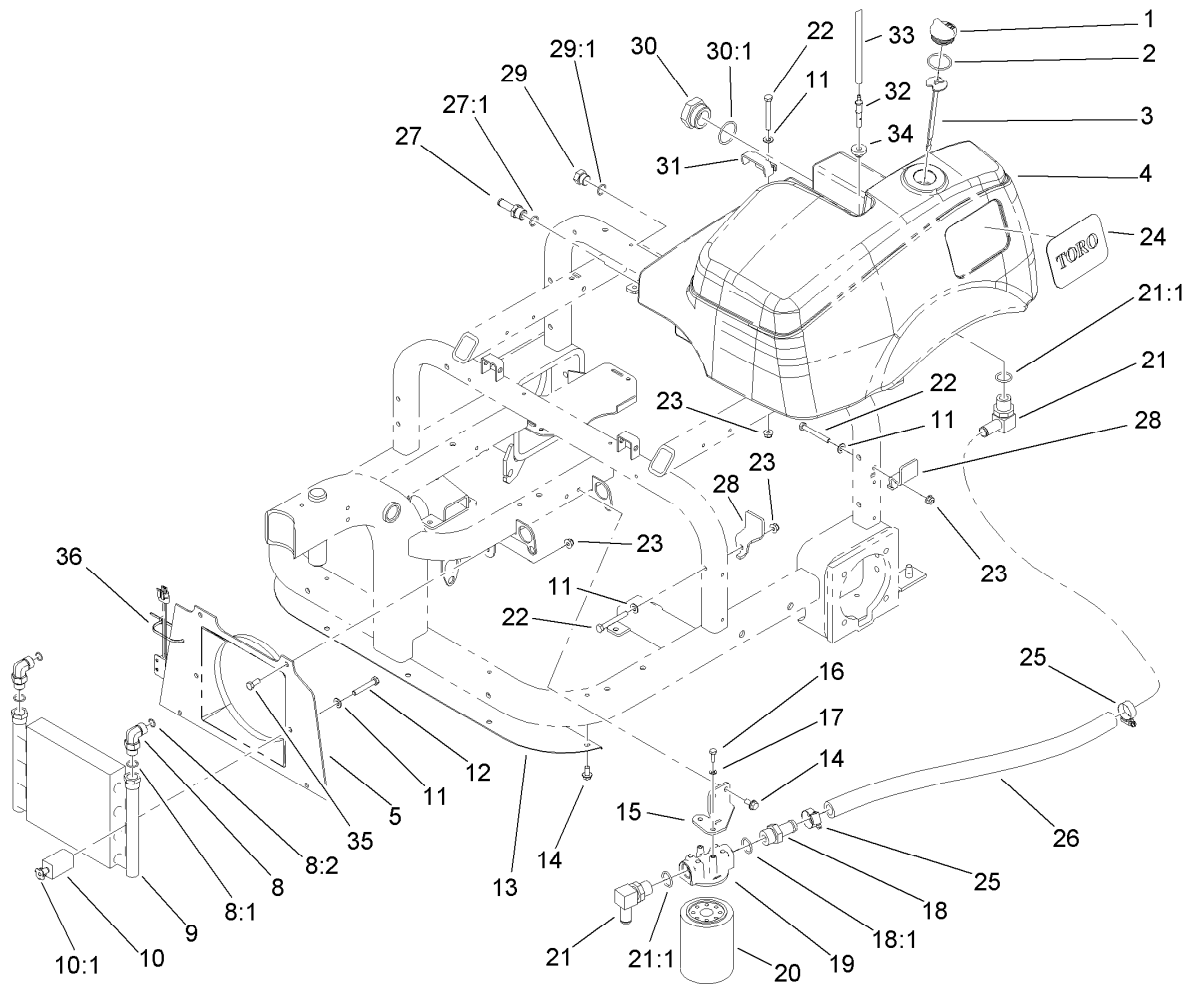


Variable Piston Pump Assembly No. 108-2934 (continued)

Ref.	Part Number	Qty.	Description
36	75-0190	1	Plug-Special
37	75-0240	1	O-Ring
38	110-6342	1	Spring
39	110-6343	1	Valve-Scr

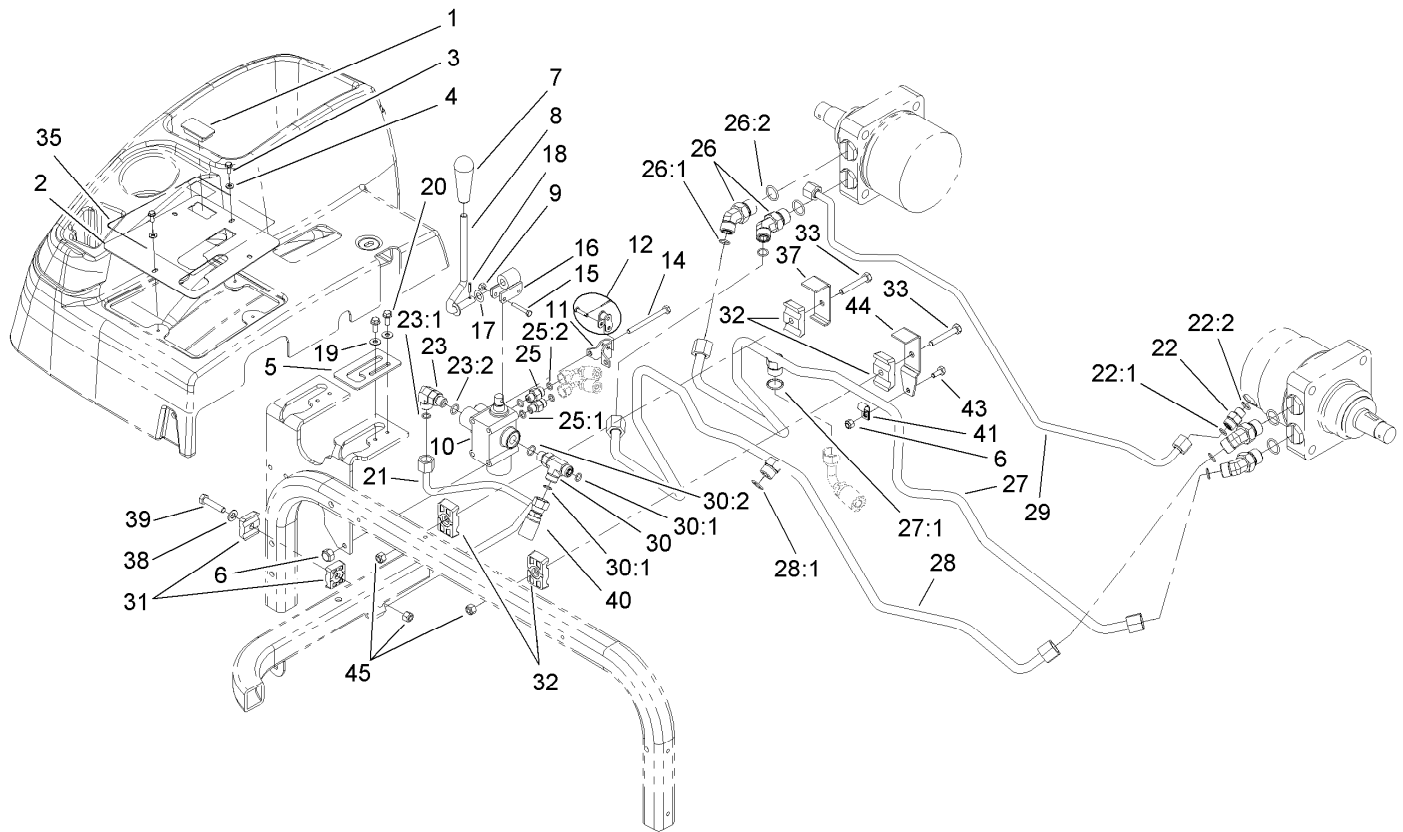
Ref.	Part Number	Qty.	Description
40	88-8230	1	Seal-Lip
41	98-0920	1	Valve-Acceleration
42	112-7651	1	Cap-End

● Not serviced separately



Hydraulic Tank, Filter and Cooler Assembly

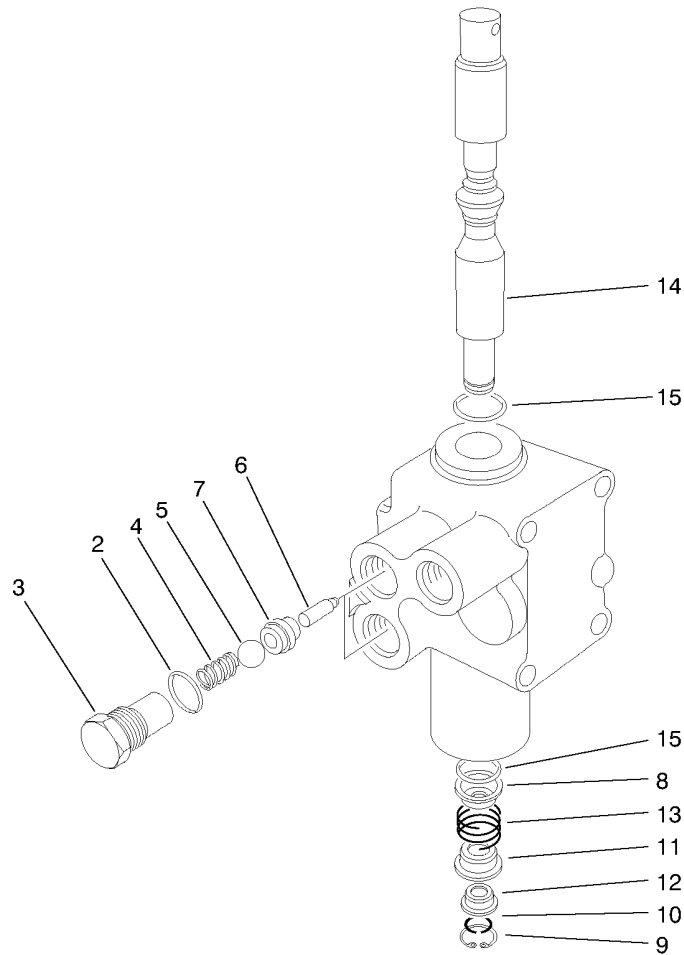
Ref.	Part Number	Qty.	Description	Ref.	Part Number	Qty.	Description
1	93-7498	1	Plug-Plastic	21	353-987	2	Fitting-HYD, 90 DEG (Barbed)
2	237-101	1	O-Ring	21:1	237-81	1	O-Ring
3	108-7996	1	Dipstick ASM	22	322-12	5	Screw-HH
4	108-2937	1	Tank-HYD	23	104-8300	9	Nut-Flange, NI
5	108-5477	1	Shroud-Fan	24	108-8452	1	Decal-Logo
8	340-98	2	Fitting-HYD, 90 DEG	25	2412-129	2	Clamp-Hose
8:1	237-79	1	O-Ring	26	108-5483	1	Hose-Suction, Tank
8:2	237-30	1	O-Ring	27	354-121	1	Fitting-Straight
9	108-8457	1	Cooler-Oil	27:1	237-79	1	O-Ring
10	85-9550	2	Rubber Clamp ASM	28	108-7965	2	Clamp-Tank, HYD
10:1	85-9670	1	T-Nut	29	353-550	1	Plug-HYD, HH
11	3256-23	7	Washer-Flat	29:1	237-79	1	O-Ring
12	322-10	2	Screw-HH	30	108-8468	1	Plug-HH
13	108-5480-03	1	Panel-Cooler	30:1	237-101	1	O-Ring
14	32144-14	7	Screw-HWHTF	31	108-7903	1	Clamp-Tank
15	108-5482	1	Bracket-Filter, Oil	32	110-1372	1	Fitting-Vent, Tank
16	321-4	2	Screw-HH	33	110-8181	1	Hose-Fuel
17	3253-3	2	Washer-Lock	34	46-6560	1	Bushing
18	354-73	1	Fitting-Straight	35	322-3	4	Screw-HH
18:1	237-81	1	O-Ring	36	3290-379	1	Tie-Cable
19	68-8990	1	Filter Head ASM				
20	54-0110	1	Filter-Oil, Transmission				



Lift Valve and Rear Tube Assembly

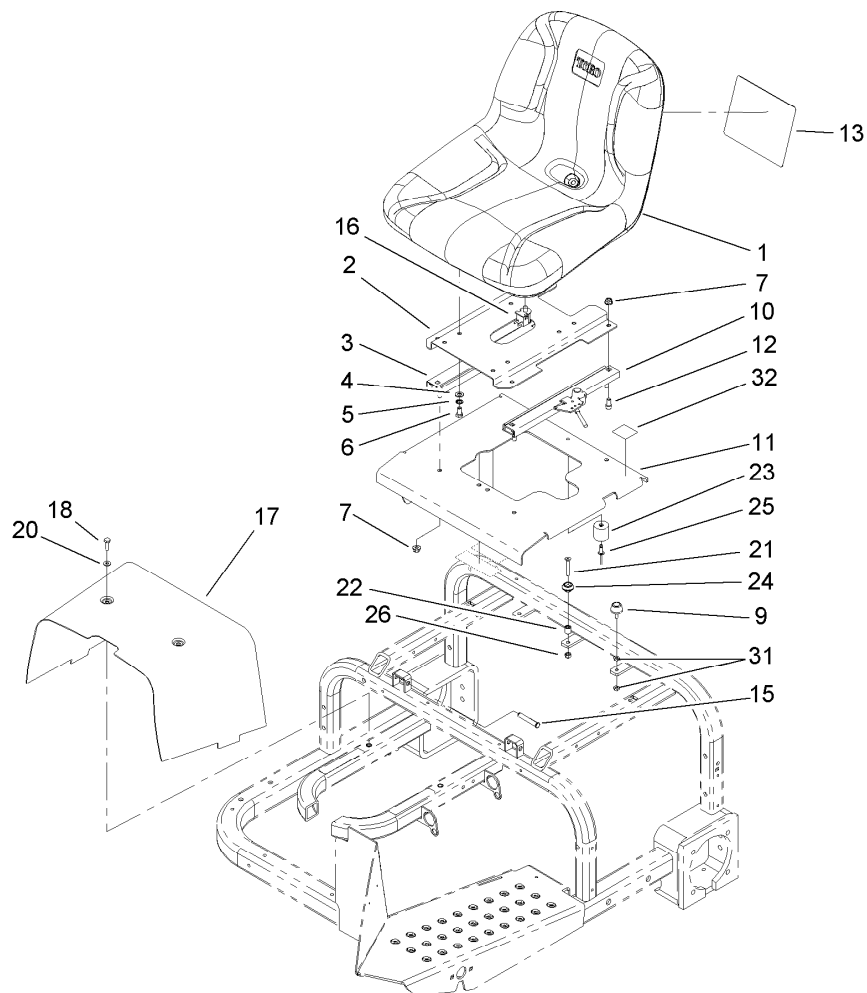
Ref.	Part Number	Qty.	Description
1	99-7420	1	Plug-Hole
2	108-7909-03	1	Panel-Control
3	3290-321	4	Screw-HWH
4	3256-51	4	Washer-Flat
5	108-7941	1	Plate-Guide, Lever
6	3296-42	4	Nut-Lock, NI
7	98-0152	1	Knob-Tapered
8	108-7942	1	Rear Lever ASM
9	3296-2	2	Nut-Lock, NI
10	43-1710-01	1	Valve ASM
11	88-8480	1	Bracket-Pivot
12	2710-20	1	Link-Offset
14	321-23	3	Screw-HH
15	3290-360	2	Screw-HH
16	98-8159	1	Pivot
17	3290-477	1	Washer-Curved
18	32121-73	1	Pin-Roll
19	3256-1	2	Washer-Flat
20	3234-33	2	Screw-HHF
21	108-8416	1	Tube ASM
22	340-2	1	Fitting-HYD, Straight
22:1	237-22	1	O-Ring
22:2	237-42	1	O-Ring
23	340-77	1	Fitting-HYD, 90 DEG
23:1	237-22	1	O-Ring
23:2	237-42	1	O-Ring

Ref.	Part Number	Qty.	Description
25	340-92	2	Fitting-HYD, Straight
25:1	237-78	1	O-Ring
25:2	237-21	1	O-Ring
26	340-89	4	Fitting-HYD, 45 DEG
26:1	237-30	1	O-Ring
26:2	237-80	1	O-Ring
27	108-8406	1	Tube ASM
27:1	237-30	1	O-Ring
28	110-1323	1	Tube ASM
28:1	237-30	1	O-Ring
29	110-1330	1	Tube ASM
30	340-86	1	Fitting-Tee
30:1	237-22	2	O-Ring
30:2	237-42	1	O-Ring
31	56-7973	2	Clamp-Tube
32	56-7976	4	Clamp-Tube
33	322-10	2	Screw-HH
35	108-8484	1	Decal-Lift, Rear
37	110-1333	1	Bracket-Clamp
38	3256-23	1	Washer-Flat
39	322-7	1	Screw-HH
40	108-8426	1	Hose ASM
41	2412-89	1	Clamp-R
43	321-3	1	Screw-HH
44	110-1332	1	Bracket-Clamp
45	3296-29	3	Nut-Lock, NI



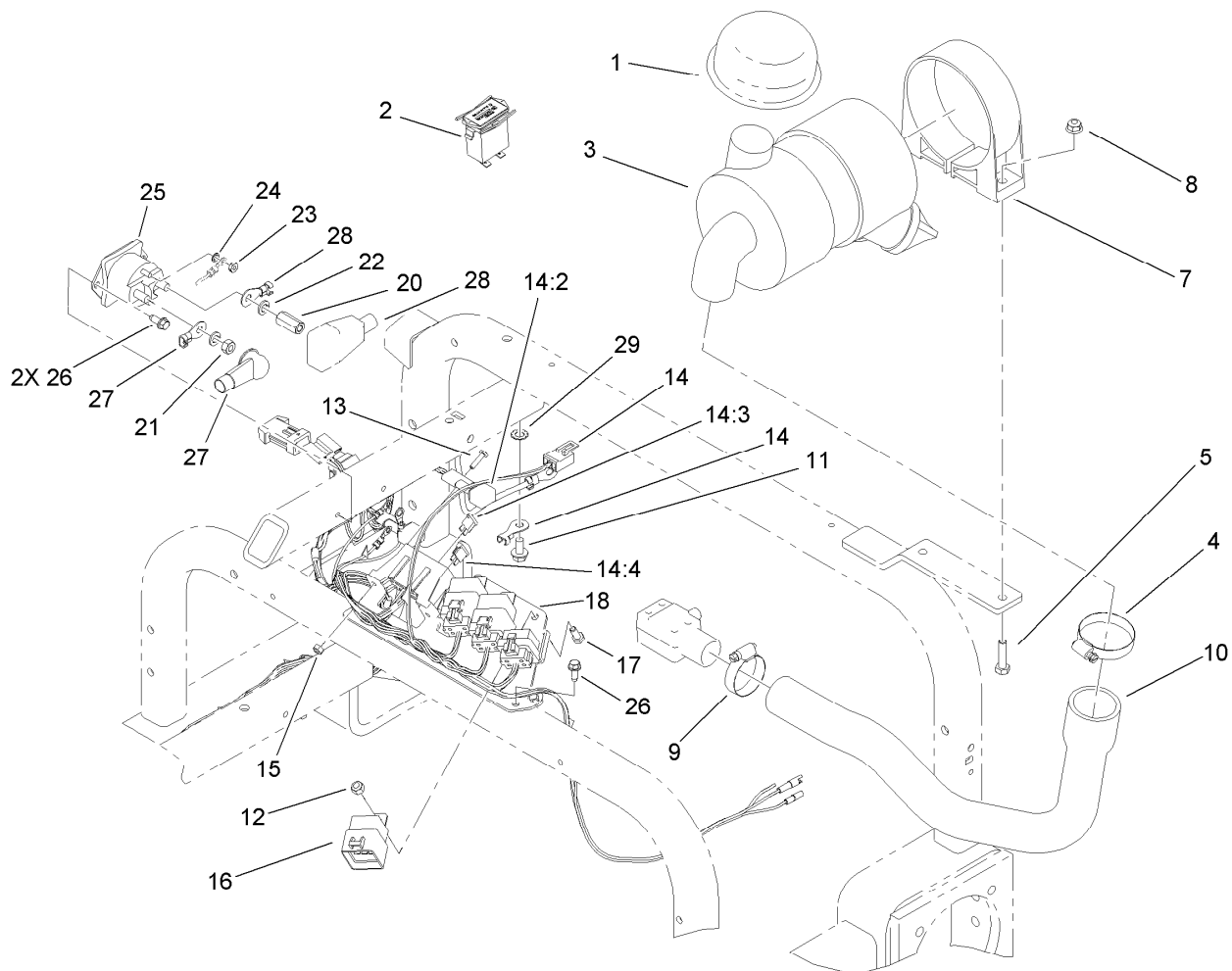
Valve Assembly No. 43-1710-01

<i>Ref.</i>	<i>Part Number</i>	<i>Qty.</i>	<i>Description</i>
2	237-42	2	O-Ring
3	22-8330	2	Plug
4	22-8340	2	Spring
5	22-8350	2	Ball
6	22-8360	2	Pin
7	22-8370	2	Seat-Valve
8	22-8380	1	Retainer
9	22-8490	1	Ring-Snap
10	22-8480	1	Ring-Snap
11	22-8390	1	Retainer
12	22-8400	1	Spacer
13	22-8410	1	Spring
14	22-8420	1	Spool
15	22-8500	2	O-Ring



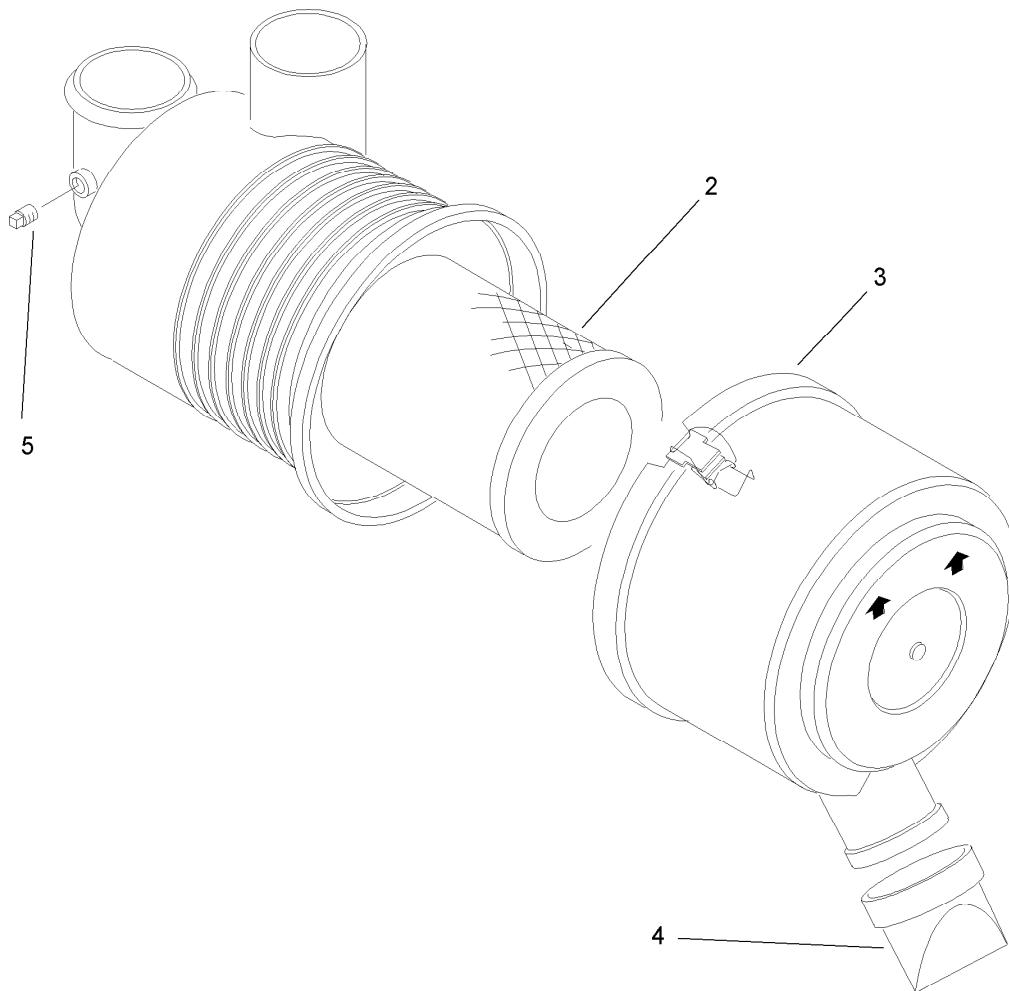
Seat and Shroud Assembly

<i>Ref.</i>	<i>Part Number</i>	<i>Qty.</i>	<i>Description</i>	<i>Ref.</i>	<i>Part Number</i>	<i>Qty.</i>	<i>Description</i>
1	108-6878	1	Seat	16	82-2190	1	Switch-Bail
2	108-7931-03	1	Base-Seat	17	108-6859-01	1	Shroud-Center
3	51-0780	1	Slider-Seat	18	321-5	2	Screw-HH
4	3256-23	4	Washer-Flat	20	3256-1	2	Washer-Flat
5	3254-2	4	Washer-Lock, Internal	21	32108-9	1	Screw-FH
6	322-2	4	Screw-HH	22	609588	1	Spacer
7	104-8300	8	Nut-Flange, NI	23	99-7830	1	Rubber Receptical ASM
9	1-523420	2	Bumper	24	99-7833	1	Post-Holding
10	51-0790	1	Adjuster-Seat, LH	25	3290-412	1	Rivet
11	112-1445-03	1	Seat ASM	26	3296-42	1	Nut-Lock, NI
12	3274-12	4	Screw-HSH	31	3218-1	4	Nut-Jam
13	108-8418	1	Decal-Service	32	105-2699	1	Decal-Noise
15	112-7153	2	Pin				



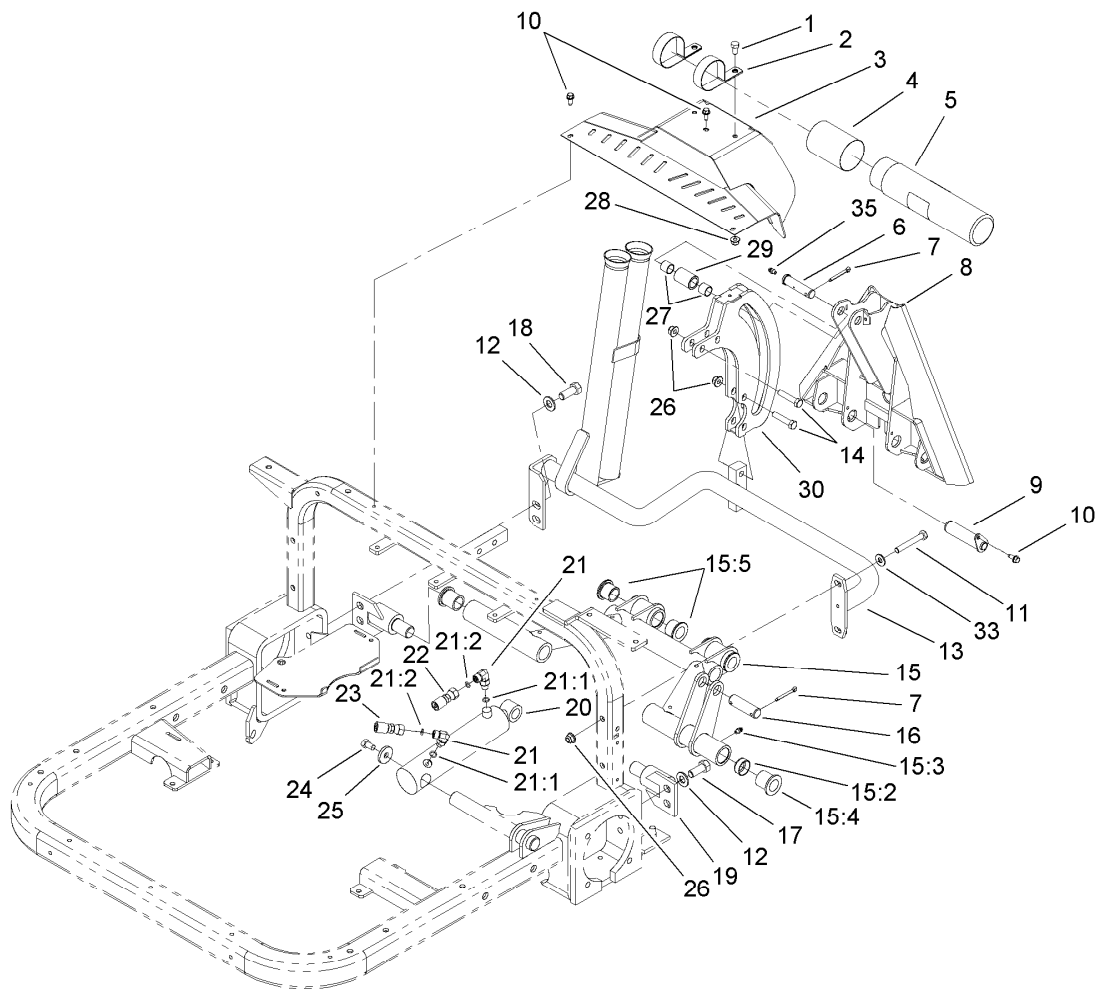
Wire Harness, Air Cleaner and Hose Assembly

<i>Ref.</i>	<i>Part Number</i>	<i>Qty.</i>	<i>Description</i>	<i>Ref.</i>	<i>Part Number</i>	<i>Qty.</i>	<i>Description</i>
1	46-7510	1	Hood-Inlet, Air	14:4	109355	1	Fuse-Blade, 15 Amp
2	1-513374	1	Meter-Hour	15	3296-2	2	Nut-Lock, NI
3	93-2190	1	Air Cleaner ASM	16	99-7430	3	Relay
4	2412-92	1	Clamp-Hose	17	321-3	3	Screw-HH
5	322-6	2	Screw-HH	18	112-1444-01	1	Bracket-Relay
7	95-5806	1	Bracket-Mounting	20	110-3380	1	Nut-Standoff
8	104-8300	2	Nut-Flange, NI	21	3218-13	1	Nut-Jam, Brass
9	2412-3	1	Clamp-Hose	22	3253-4	2	Washer-Lock
10	108-8401	1	Hose-Air	23	3219-14	2	Nut-Hex
11	32144-14	1	Screw-HWHTF	24	3254-1	2	Washer-Lock, Int
12	3296-42	3	Nut-Lock, NI	25	28-4210	1	Solenoid
13	3250-13	2	Screw-PPH	26	32144-10	4	Screw-HWH
14	112-1446	1	Harness-Wire	27	110-3315	1	Cable-Positive, Starter
14:2	100-4918	2	Diode	28	110-3314	1	Cable-Positive, Battery
14:3	218-578	1	Fuse-Blade, 10 Amp	29	3255-9	1	Washer-Lock



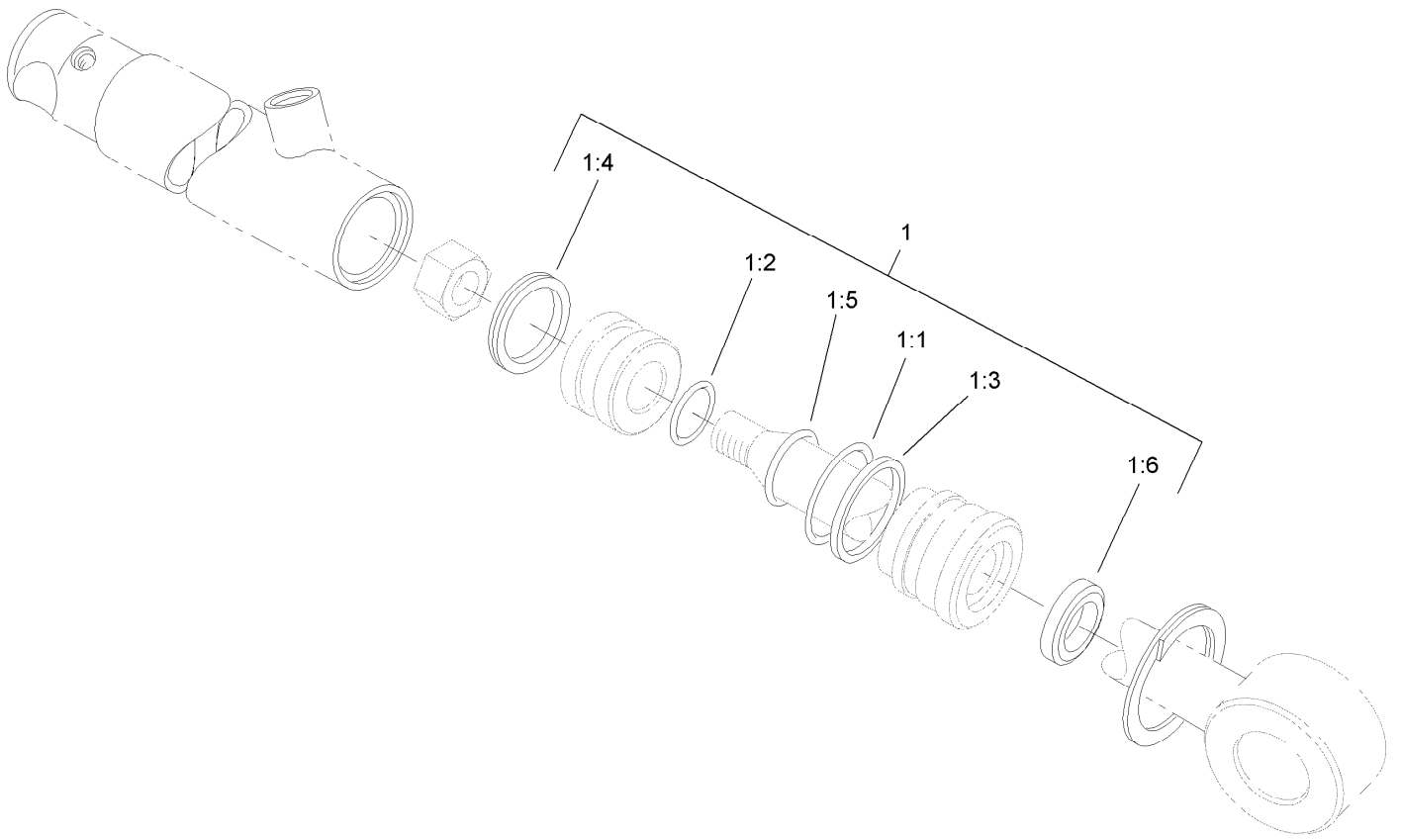
Air Cleaner Assembly No. 93-2190

<i>Ref.</i>	<i>Part Number</i>	<i>Qty.</i>	<i>Description</i>
2	108-3811	1	Filter-Air
3	94-3652	1	Cover ASM
4	87-9400	1	Valve-Vacuator
5	285-17	1	Plug-Pipe



Rear Hitch Assembly

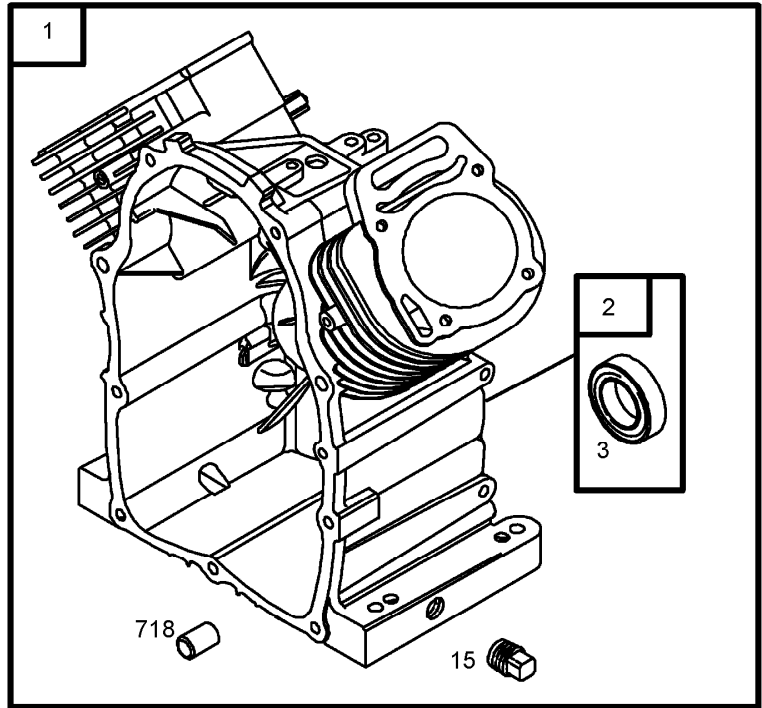
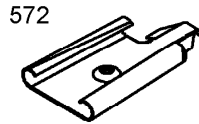
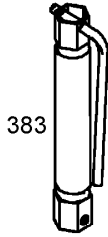
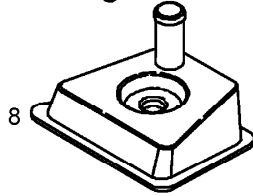
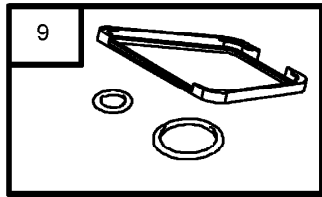
<i>Ref.</i>	<i>Part Number</i>	<i>Qty.</i>	<i>Description</i>	<i>Ref.</i>	<i>Part Number</i>	<i>Qty.</i>	<i>Description</i>
1	322-2	2	Screw-HH	16	18-7310	1	Pin-Cylinder
2	2412-133	2	R-Clamp	17	325-4	2	Screw-HH
3	108-7970-01	1	Rear Cover ASM	18	325-5	2	Screw-HH
4	104-7048	1	Cap-Housing	19	108-6872	2	Pivot Pin ASM
5	104-7050	1	Tube-Manual	20	110-1338	1	Hydraulic Cylinder ASM
6	108-2282	1	Pin-Clevis	21	340-132	2	Fitting-HYD, 90 DEG
7	3272-23	3	Pin-Cotter	21:1	237-78	1	O-Ring
8	108-6870-01	1	Adapter ASM	21:2	237-21	1	O-Ring
9	108-6885	2	Pin ASM	22	95-8837	1	Hose ASM
10	32144-10	5	Screw-HWH	23	100-3833	1	HYD Hose ASM
11	323-12	2	Screw-HH	24	323-34	1	Screw-HH
12	3256-26	4	Washer-Flat	25	53-6380	1	Washer-Flat
13	108-6860-03	1	Hitch Frame ASM	26	104-8301	6	Nut-Flange, NI
14	323-10	4	Screw-HH	27	256-311	2	Bushing-Split
15	110-3375	1	Rear Tube ASM	28	104-8300	2	Nut-Flange, NI
15:2	110-3365	2	Plug-Expansion	29	108-6871	1	Tube-Roller
15:3	302-5	4	Fitting-Grease	30	110-1368-01	1	Roller Plate ASM
15:4	95-3577	2	Bushing	33	3256-3	6	Washer-Flat
15:5	33-3090	4	Bushing	35	302-5	1	Fitting-Grease



Hydraulic Cylinder Assembly No. 110-1338

<i>Ref.</i>	<i>Part Number</i>	<i>Qty.</i>	<i>Description</i>
1	108-4597	1	Seal Kit
1:1		1	O-Ring ●
1:2		1	O-Ring ●
1:3		1	Ring-Back Up ●
1:4		1	Seal-Psp ●
1:5		1	Seal-Rod ●
1:6		1	Seal-Dust ●

● Not serviced separately



1019 LABEL KIT

1058 OPERATOR'S MANUAL

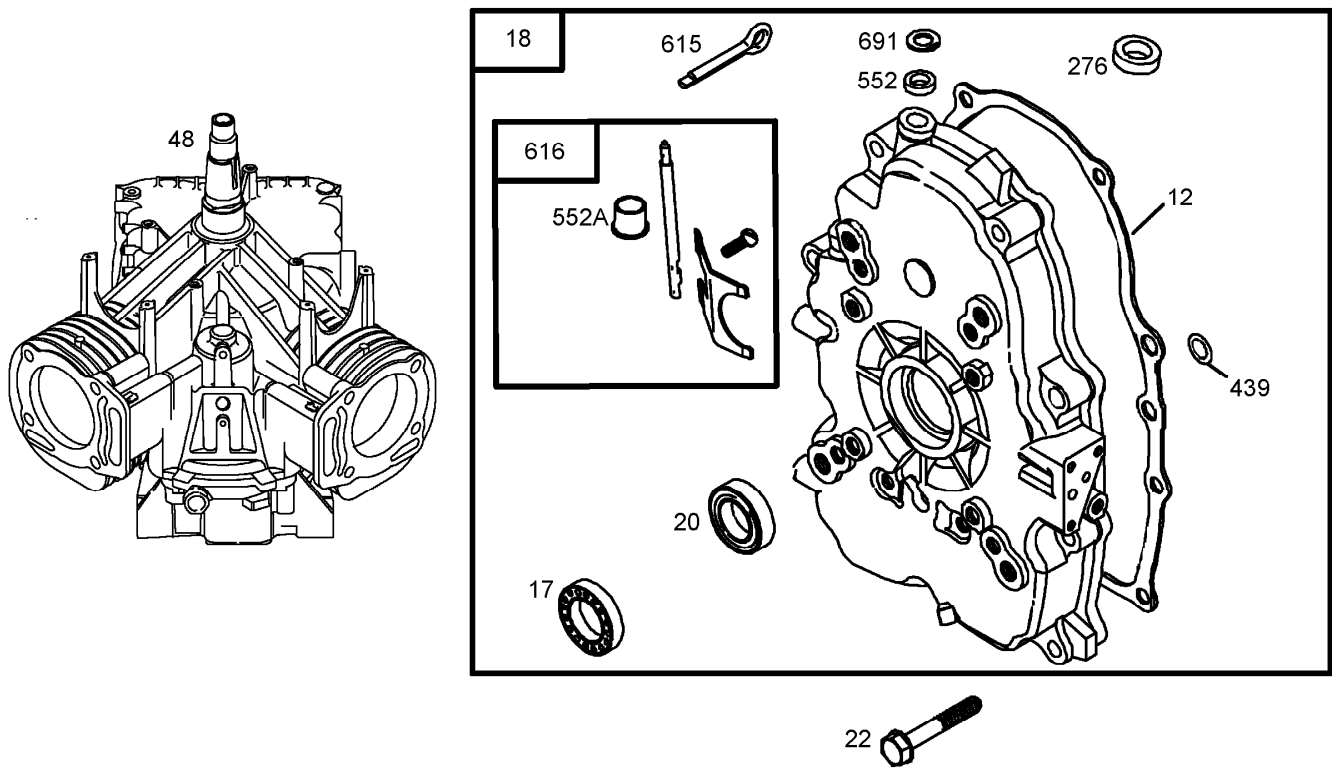
1330 REAIR MANUAL

Cylinder Assembly Briggs and Stratton 305447-0178-E1

Ref.	Part Number	Qty.	Description
1	692178	1	Cylinder ASM ●
2	808534	1	Bushing-Seal Kit ●
3	805101	1	Seal-Oil ●■
8	808984	1	Breather ASM ●
9	809094	1	Gasket-Breather ●
10	690751	1	Screw ●
15	690946	1	Plug-Drain, Oil ●
337	496018	1	Spark Plug ●
383	19374	1	Wrench-Spark Plug ●
572	690686	1	Baffle-Breather ●
635	692076	1	Boot-Spark Plug ●
718	806469	1	Pin-Locating ●
1019	809181	1	Kit-Label ●
1058	276343	1	Operator Manual ●
1330	272144	1	Repair Manual ●

● Obtain parts from www.briggsandstratton.com

■ Included in Engine Gasket Set (Ref. No. 358)

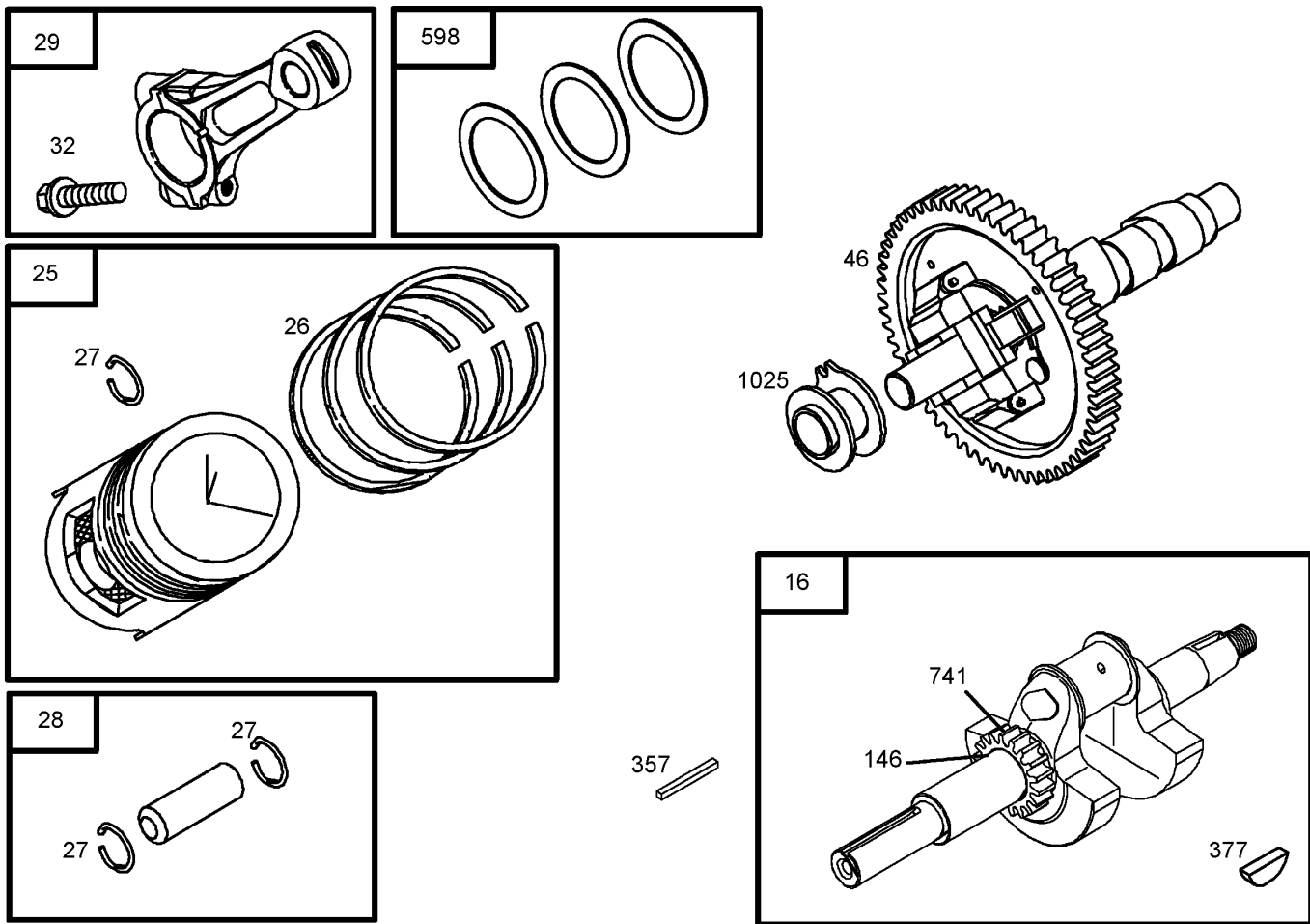


Crankcase Assembly Briggs and Stratton 305447-0178-E1

Ref.	Part Number	Qty.	Description
12	842589	1	Gasket-Crankcase ●■
17	690752	1	Bearing-Ball ●
18	808847	1	Cover-Crankcase ●
20	805049	1	Seal-Oil ●■
22	807362	1	Screw ●
48		1	Short Block (Part No. Not Available At Time Of Printing) ●
276	690724	1	Washer-Sealing ●
439	692154	1	Seal-O Ring ●■
552	690701	1	Bushing-Crank, Governor ●
552A	806686	1	Bushing-Crank, Governor ●
615	691550	1	Retainer-Shaft, Governor ●
616	806685	1	Crank-Governor ●
691	690680	1	Seal-Shaft, Governor ●■

● Obtain parts from www.briggsandstratton.com

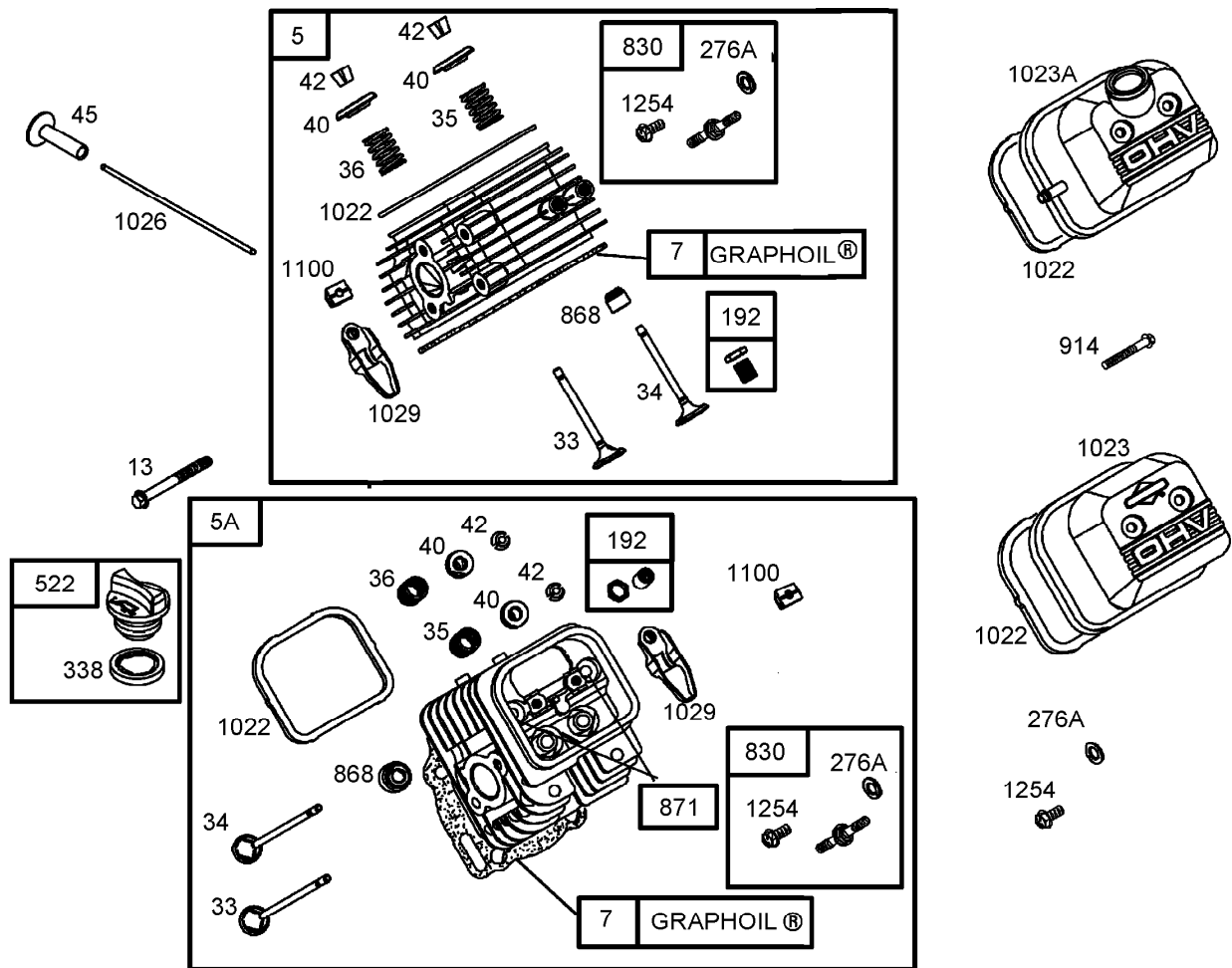
■ Included in Engine Gasket Set (Ref. No. 358)



Crankshaft Assembly Briggs and Stratton 305447-0178-E1

Ref.	Part Number	Qty.	Description
16	692168	1	Crankshaft ●
25	807619	1	Piston ASM (Standard) ●
25	807809	1	Piston ASM (.020 Oversize) ●
26	807620	1	Ring Set (Standard) ●
26	807810	1	Ring Set (.020 Oversize) ●
27	690683	1	Lock-Pin, Piston ●●
28	807621	1	Pin-Piston ●
29	807900	1	Rod-Connecting (Standard) ●
29	807803	1	Rod-Connecting (.020 Undersize) ●
32	690698	1	Screw ●
46	691557	1	Camshaft ●
146	691639	1	Key-Timing ●
357	691483	1	Key pulley , Drive ●
377	808095	1	Key-Woodruff ●
598	807625	1	Shim-Play, End ●
741	691530	1	Gear-Timing ●
1025	690689	1	Spool-Governor ●

● Obtain parts from www.briggsandstratton.com

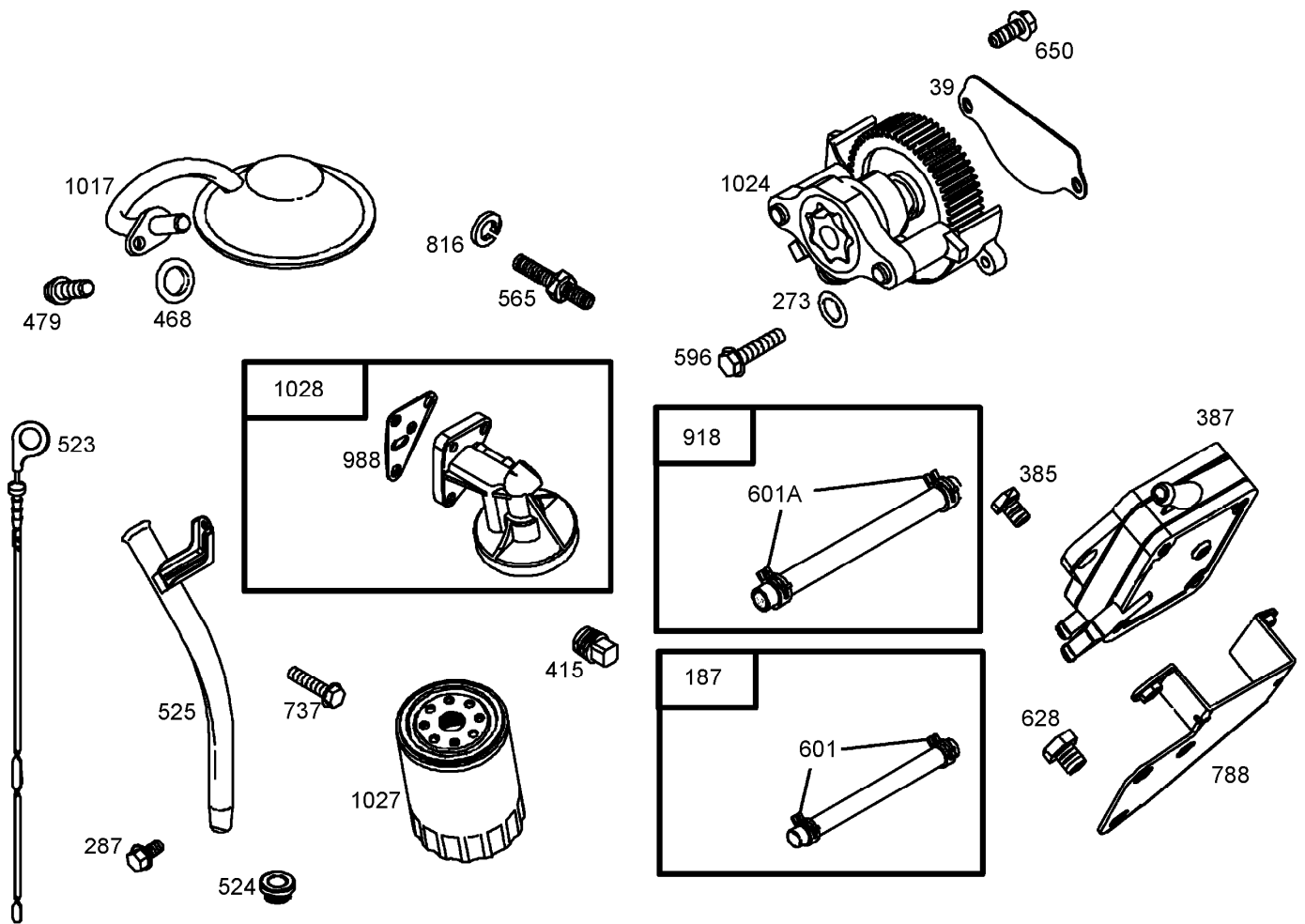


Cylinder Head Assembly Briggs and Stratton 305447-0178-E1

Ref.	Part Number	Qty.	Description	Ref.	Part Number	Qty.	Description
5	809200	1	Head-Cylinder ●	522	491832	1	Plug-Fill, Dipstick ●
5A	809201	1	Head-Cylinder ●	830	809157	1	Stud-Arm, Rocker ●
7	806085	1	Gasket-Head, Cylinder ●■▲	868	691963	1	Seal-Valve ●■▲
13	692059	1	Screw ●	871	692057	1	Bushing-Guide, Valve ●
33	807681	1	Valve-Exhaust ●	914	807120	1	Screw ●
34	807680	1	Valve-Intake ●	1022	806039	1	Gasket-Cover, Rocker ●■▲
35	692084	1	Spring-Valve ●	1023	691494	1	Cover-Valve ●
36	692084	1	Spring-Valve ●	1023A	690910	1	Cover-Valve ●
40	692058	1	Retainer-Valve ●	1026	691836	1	Rod-Push ●
42	807683	1	Keeper-Valve ●	1026	691758	1	Rod-Push ●
45	690977	1	Tappet-Valve ●	1029	807323	1	Arm-Rocker ●
192	807623	1	Adjuster-Arm, Rocker ●	1100	791959	1	Pivot-Arm, Rocker ●
276A	807085	1	Washer-Sealing ●■▲	1254	807084	1	Screw ●
338	691312	1	Seal-O Ring ●■▲				

● Obtain parts from www.briggsandstratton.com
▲ Included in Valve Gasket Set (Ref. No. 1095)

■ Included in Engine Gasket Set (Ref. No. 358)



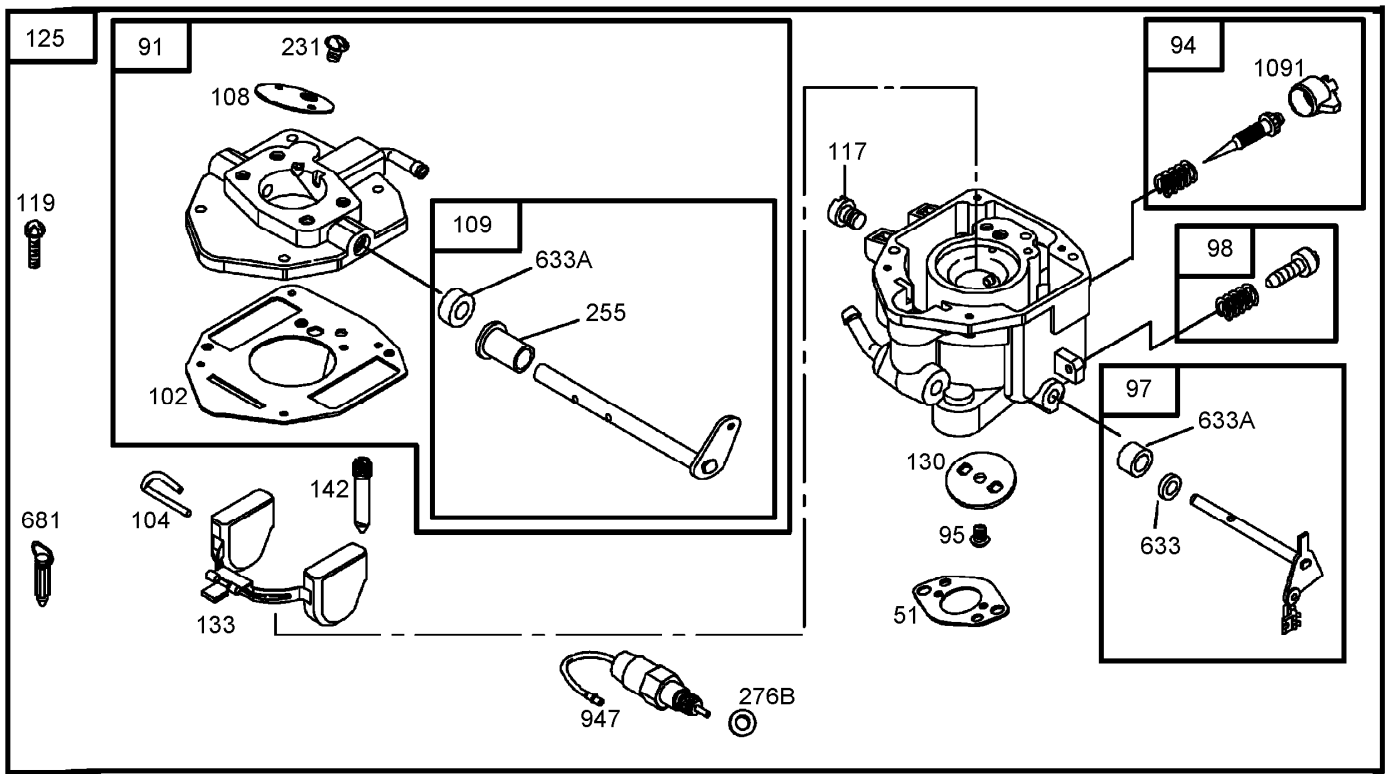
Oil Filter, Tube and Pump Assembly Briggs and Stratton 305447-0178-E1

Ref.	Part Number	Qty.	Description
39	690745	1	Deflector-Oil ●
187	791766	1	Line-Fuel ●
273	690681	1	Seal-O Ring ●■
287	692062	1	Screw ●
385	807084	1	Screw ●
387	808969	1	Pump-Fuel ●
415	690283	1	Plug-Oil ●
468	690690	1	Seal-O Ring ●■
479	807084	1	Screw ●
523	693175	1	Dipstick ●
524	693172	1	Seal-Tube, Dipstick ●■
525	693174	1	Tube-Dipstick ●
565	690682	1	Stud ●
596	691492	1	Screw ●

Ref.	Part Number	Qty.	Description
601	791850	1	Clamp-Hose ●
601A	691038	1	Clamp-Hose ●
628	692062	1	Screw ●
650	692539	1	Screw ●
737	690679	1	Screw ●
788	691559	1	Bracket-Pump, Fuel ●
816	690706	1	Washer ●
918	393815	1	Line-Vacuum ●
988	692063	1	Gasket-Adapter, Oil Filter ● ■
1017	690900	1	Screen-Pump, Oil ●
1024	693185	1	Pump-Oil ●
1027	492932	1	Filter-Oil ●
1028	808235	1	Adapter-Filter, Oil ●

● Obtain parts from www.briggsandstratton.com

■ Included in Engine Gasket Set (Ref. No. 358)



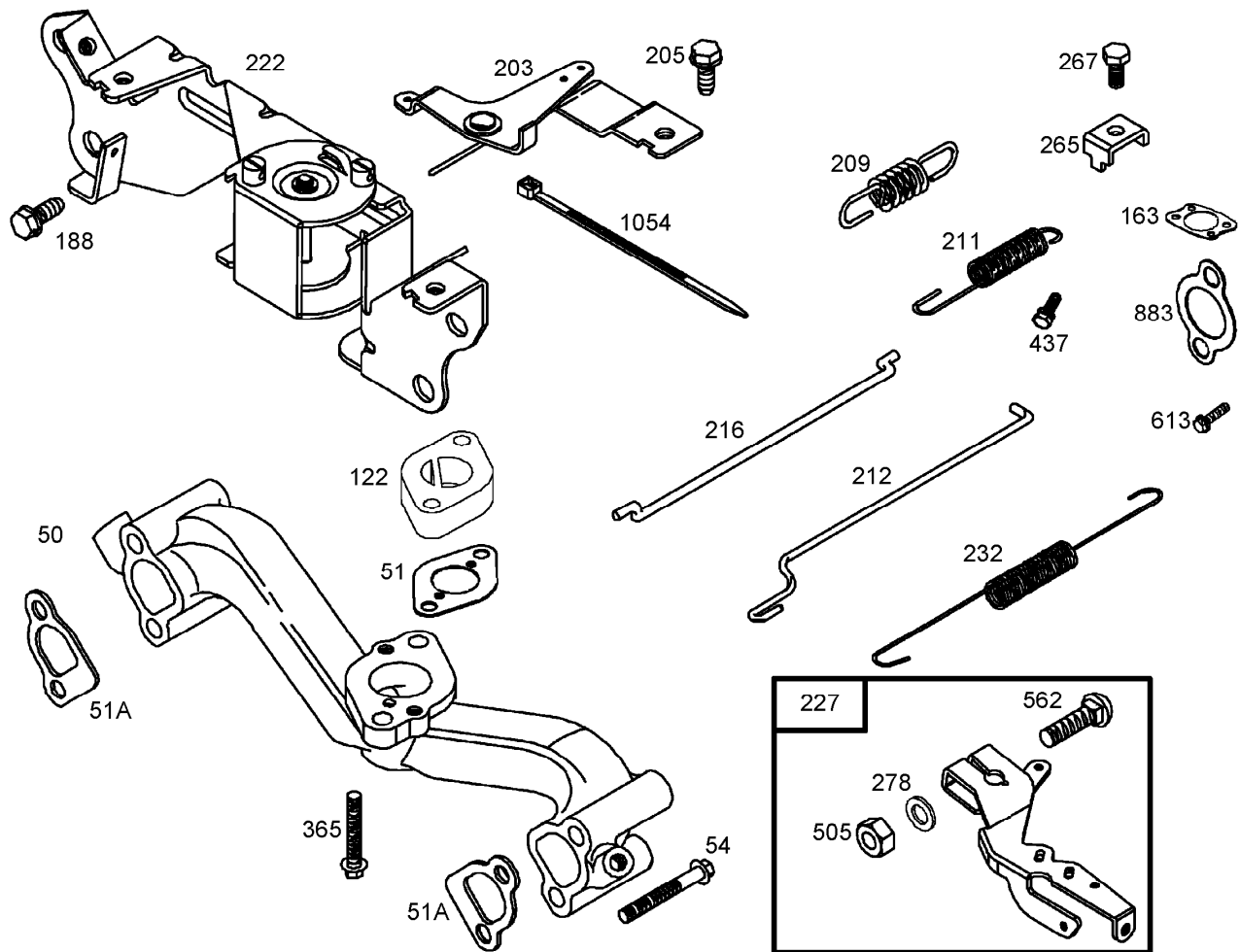
118

Carburetor Assembly Briggs and Stratton 305447-0178-E1

Ref.	Part Number	Qty.	Description	Ref.	Part Number	Qty.	Description
51	691694	1	Gasket-Intake ●■	125	842729	1	Carburetor ●
91	809208	1	Upper Carburetor Body ASM ●	130	690726	1	Valve-Throttle ●
94	808257	1	Idle Mixture Kit ●▲	133	806961	1	Float-Carburetor ●
95	690718	1	Screw ●	142	690725	1	Nozzle-Carburetor ●
97	807495	1	Shaft throttle ●	231	690718	1	Screw ●
98	808981	1	Idle Speed Kit ●	255	690721	1	Bushing-Shaft, Choke ●▲
102	692077	1	Gasket-Body, Carburetor ●▲	276B	806137	1	Washer-Sealing ●
104	690723	1	Pin-Hinge, Float ●▲	633	806131	1	Seal-Shaft, Choke Throttle ●▲
108	690719	1	Valve-Choke ●	633A	690722	1	Seal-Shaft, Choke Throttle ●▲
109	809096	1	Shaft-Choke ●	681	808798	1	Valve-Needle, Float ●▲
117	690862	1	Jet main ●▲	947	692094	1	Solenoid-Fuel ●
118	842311	1	Jet-Main ●	1091	691516	1	Cap-Limiter ●▲
119	690720	1	Screw ●				

● Obtain parts from www.briggsandstratton.com
▲ Included in Carburetor Overhaul Kit (Ref. No. 121)

■ Included in Engine Gasket Set (Ref. No. 358)

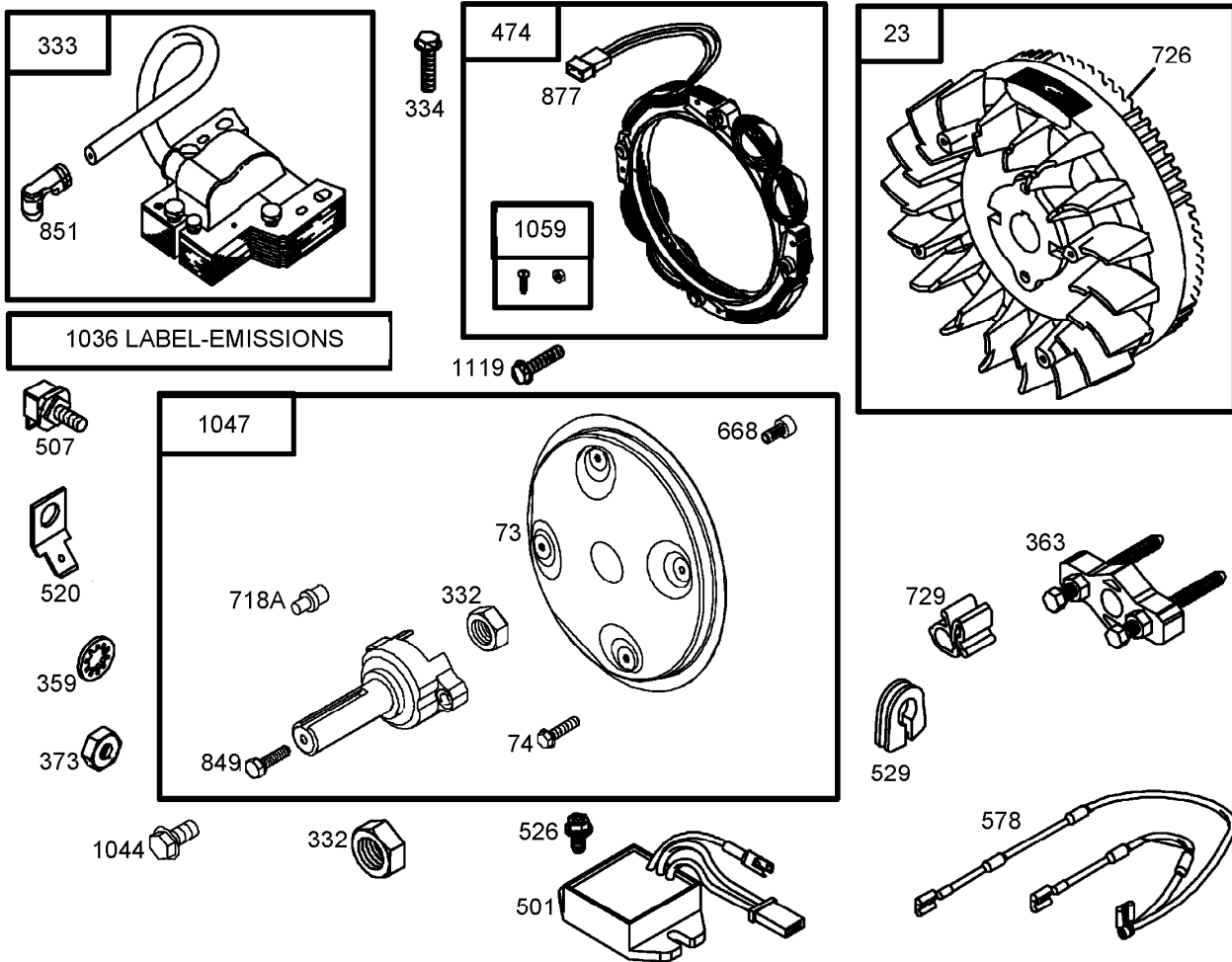


Governor Assembly Briggs and Stratton 305447-0178-E1

Ref.	Part Number	Qty.	Description	Ref.	Part Number	Qty.	Description
50	690754	1	Manifold-Intake ●	222	808454	1	Bracket-Control ●
51	691694	1	Gasket-Intake ●■	227	690236	1	Lever-Control, Governor ●
51A	692035	1	Gasket-Intake ●■▲	232	692073	1	Spring-Link, Governor ●
54	690676	1	Screw ●	265	691024	1	Clamp-Casing ●
122	690691	1	Spacer-Carburetor ●	267	692083	1	Screw ●
163	692081	1	Gasket-Cleaner, Air ●	278	842122	1	Washer ●
188	692056	1	Screw ●	365	690711	1	Screw ●
203	690923	1	Crank-Bell ●	437	691902	1	Screw ●
205	692083	1	Screw ●	505	690238	1	Nut ●
209	692071	1	Spring-Governor ●	562	690239	1	Bolt ●
211	692069	1	Spring-Idle, Governed ●	613	691902	1	Screw ●
212	690712	1	Link-Throttle ●	883	691613	1	Gasket-Exhaust ●■▲
216	690705	1	Link-Choke ●	1054	280275	1	Tie-Cable ●

● Obtain parts from www.briggsandstratton.com
▲ Included in Valve Gasket Set (Ref. No. 1095)

■ Included in Engine Gasket Set (Ref. No. 358)

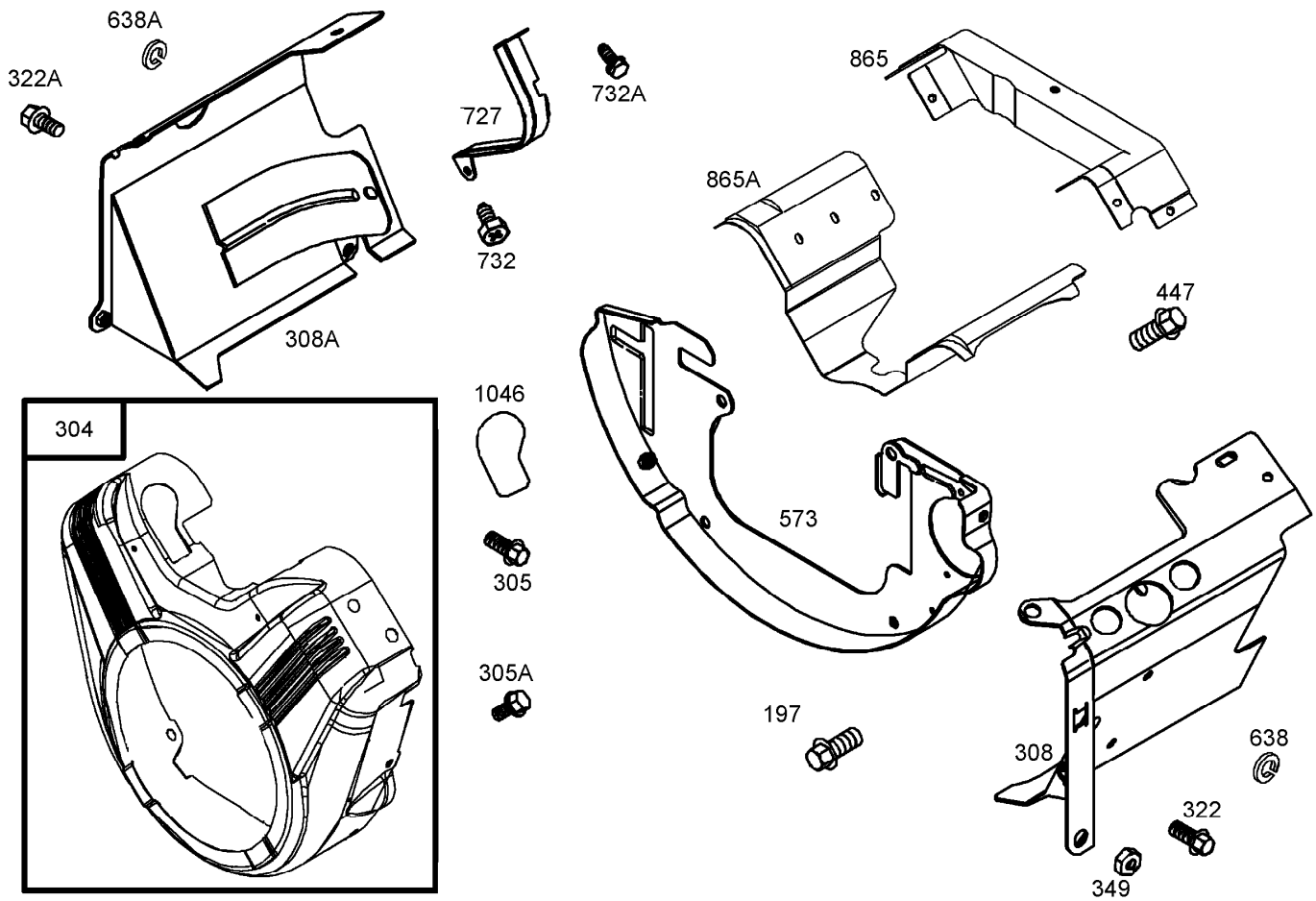


Flywheel Assembly Briggs and Stratton 305447-0178-E1

Ref.	Part Number	Qty.	Description	Ref.	Part Number	Qty.	Description
23	841825	1	Flywheel ■	668	691500	1	Spacer ■
73	841582	1	Screen-Rotating ■	718A	841581	1	Pin-Locating ■
74	841441	1	Screw ■	726		1	Gear-Ring ■●
332	690887	1	Nut ■	729	690586	1	Clip-Wire ■
333	492341	1	Armature-Magneto ■	849	691088	1	Screw (Stub Shaft) ■
334	692066	1	Screw ■	851	493880	1	Terminal-Spark Plug ■
359	691077	1	Washer ■	877	399916	1	Connector-Wire, Alternator ■
363	19203	1	Puller-Flywheel ■	1036	842664	1	Label-Emission (After Engine Date Code: 05063000) ■
373	691612	1	Nut ■	1044	692056	1	Screw ■
474	696458	1	Alternator ■	1047	841580	1	Shaft-Stub ■
501	691185	1	Regulator ■	1059	698516	1	Screw And Washer Kit ■
507	691972	1	Insulator ■	1119	691552	1	Screw ■
520	691084	1	Terminal-Ground ■				
526	692067	1	Screw ■				
529	690744	1	Grommet ■				
578	692319	1	Wire ASM ■				

● Not serviced separately

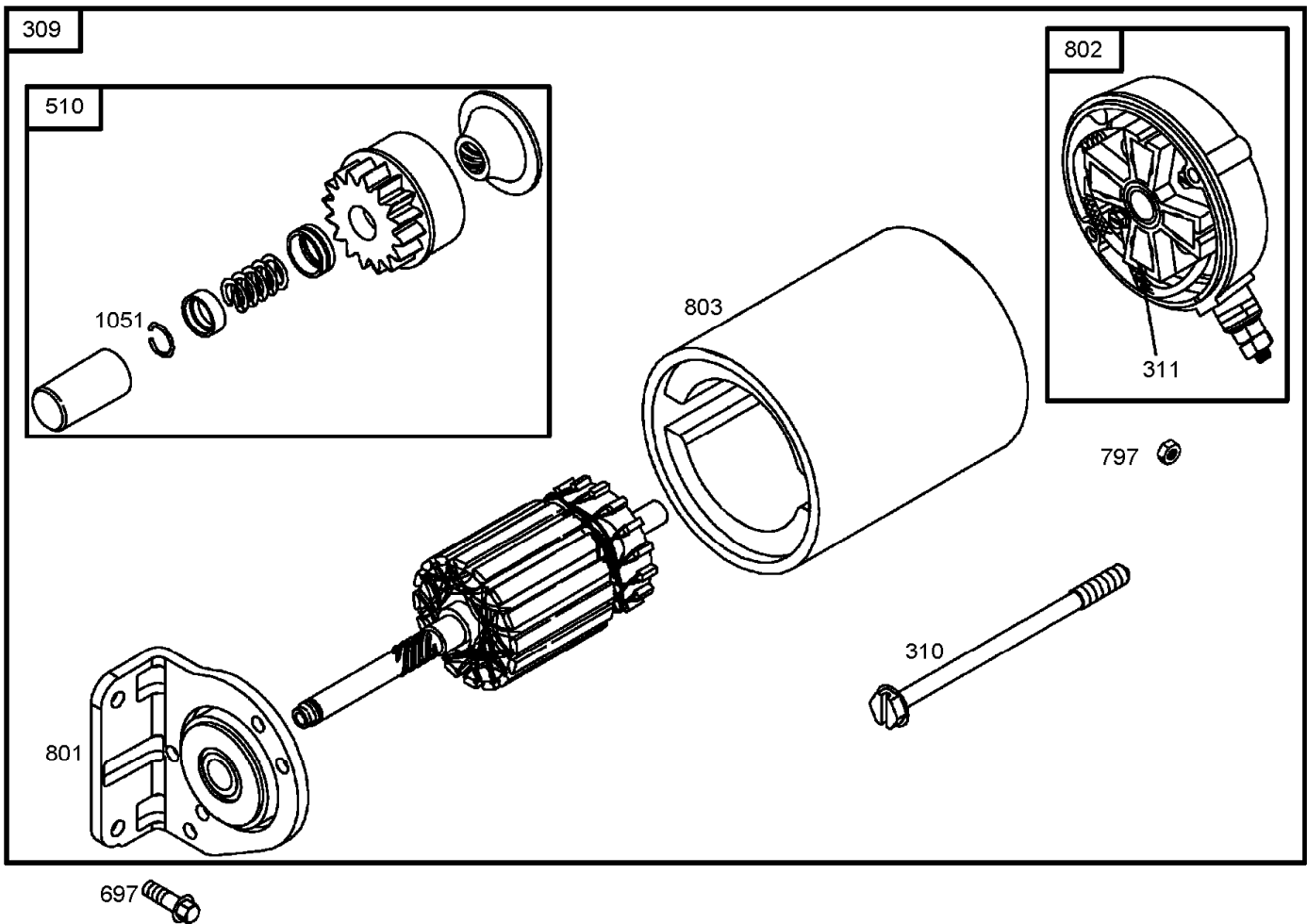
■ Obtain parts from www.briggsandstratton.com



Blower Housing Assembly Briggs and Stratton 305447-0178-E1

Ref.	Part Number	Qty.	Description
197	807163	1	Screw ●
304	841828	1	Housing-Blower ●
305	841233	1	Screw ●
305A	692056	1	Screw ●
308	841317	1	Cover-Head, Cylinder (Cylinder 1) ●
308A	841316	1	Cover-Head, Cylinder (Cylinder 2) ●
322	841233	1	Screw ●
322A	692067	1	Screw ●
349	690238	1	Nut ●
447	841233	1	Screw ●
573	841310	1	Plate back ●
638	690706	1	Washer ●
638A	691551	1	Washer ●
727	841313	1	Cover drive, Starter ●
732	690688	1	Screw ●
732A	841233	1	Screw ●
865	841319	1	Cover-Guide, Air ●
865A	807119	1	Cover-Guide, Air ●
1046	692085	1	Plug-Blower Housing ●

● Obtain parts from www.briggsandstratton.com

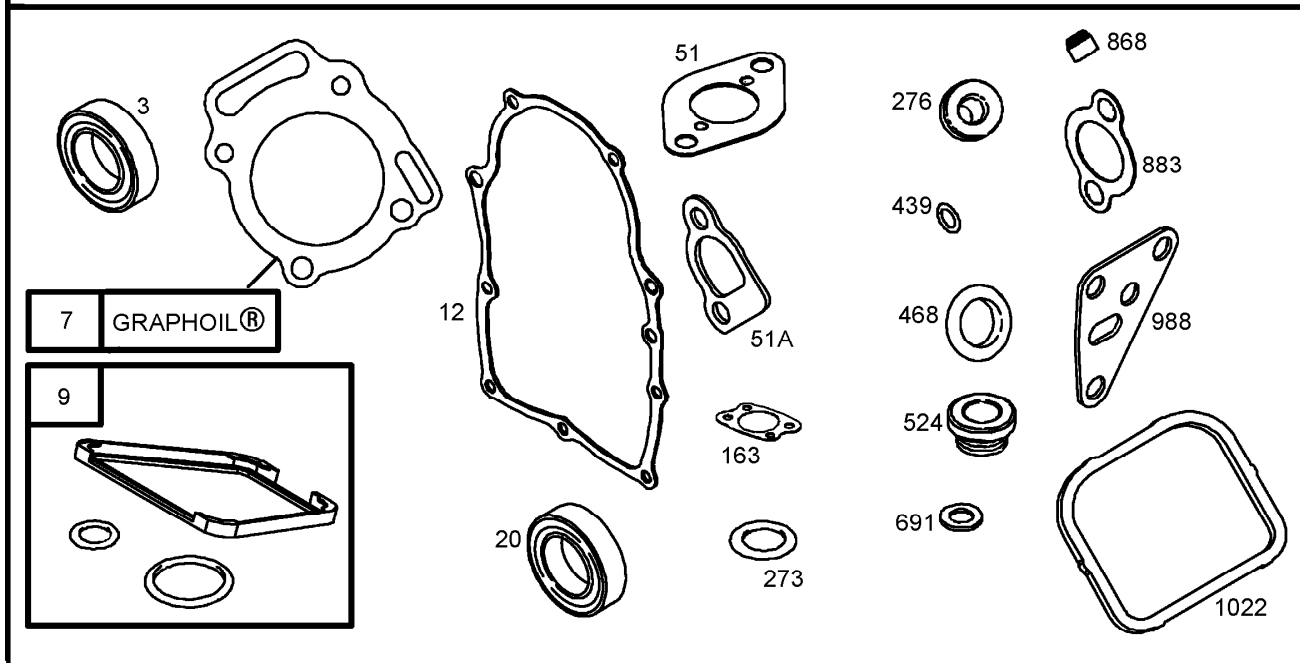


Starter Assembly Briggs and Stratton 305447-0178-E1

Ref.	Part Number	Qty.	Description
309	691564	1	Motor-Starter ●
310	496880	1	Bolt-Thru ●
311	496887	1	Brush Set ●
510	496881	1	Drive-Starter ●
697	692062	1	Screw ●
797	691029	1	Nut ●
801	808778	1	Cap-Drive ●
802	496813	1	Cap-End ●
803	690854	1	Housing-Starter ●
1051	691124	1	Ring-Lock ●

● Obtain parts from www.briggsandstratton.com

358 ENGINE GASKET SET

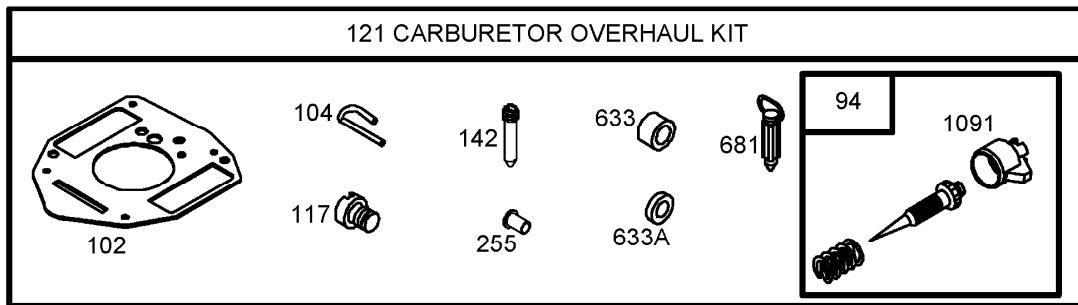
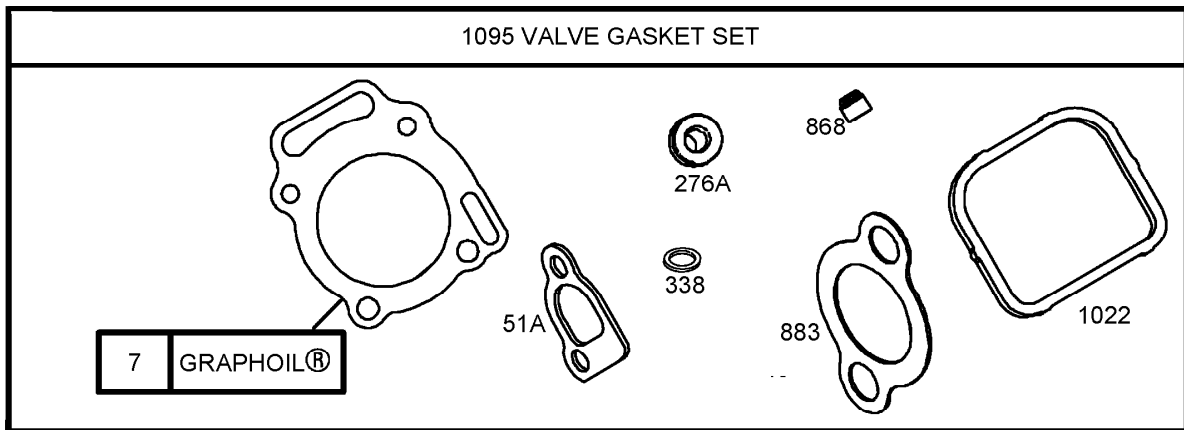


358 Engine Gasket Set Briggs and Stratton 305447-0178-E1

Ref.	Part Number	Qty.	Description
3	805101	1	Seal-Oil ●
7	806085	1	Gasket-Head, Cylinder ●■
9	809094	1	Gasket-Breather ●
12	842589	1	Gasket-Crankcase ●
20	805049	1	Seal-Oil ●
51	691694	1	Gasket-Intake ●
51A	692035	1	Gasket-Intake ●■
163	692081	1	Gasket-Cleaner, Air ●
273	690681	1	Seal-O Ring ●
276	690724	1	Washer-Sealing ●
358	841188	1	Engine Gasket Set ●
439	692154	1	Seal-O Ring ●
468	690690	1	Seal-O Ring ●
524	693172	1	Seal-Tube, Dipstick ●
691	690680	1	Seal-Shaft, Governor ●
868	691963	1	Seal-Valve ●■
883	691613	1	Gasket-Exhaust ●■
988	692063	1	Gasket-Adapter, Oil Filter ●
1022	806039	1	Gasket-Cover, Rocker ●■

● Obtain parts from www.briggsandstratton.com

■ Included in Valve Gasket Set (Ref. No. 1095)



1095 Valve Gasket Set and 121 Carburetor Overhaul Kit Briggs and Stratton 305447-0178-E1

Ref.	Part Number	Qty.	Description
7	806085	1	Gasket-Head, Cylinder ●■
51A	692035	1	Gasket-Intake ●■
94	808257	1	Idle Mixture Kit ●
102	692077	1	Gasket-Body, Carburetor ●
104	690723	1	Pin-Hinge, Float ●
117	690862	1	Jet main ●
121	809021	1	Carburetor Overhaul Kit ●
142	690725	1	Nozzle-Carburetor ●
255	690721	1	Bushing-Shaft, Choke ●
276A	807085	1	Washer-Sealing ●
338	691312	1	Seal-O Ring ●■
633	806131	1	Seal-Shaft, Choke Throttle ●
633A	690722	1	Seal-Shaft, Choke Throttle ●
681	808798	1	Valve-Needle, Float ●
868	691963	1	Seal-Valve ●■
883	691613	1	Gasket-Exhaust ●■
1022	806039	1	Gasket-Cover, Rocker ●■
1091	691516	1	Cap-Limiter ●
1095	842723	1	Valve Gasket Set ●

● Obtain parts from www.briggsandstratton.com

■ Included in Engine Gasket Set (Ref. No. 358)

Attachments and Accessories

For 08703 Sand/Infield Pro 3040 Traction Unit

Product Name	Model/Part
Manual Blade.....	08714
Midmount Toolbar System	08731
Tooth Rake	08751
Spring Rake.....	08752
Rear Broom	08753
Finish Grader.....	08754
Spiker	08755
Drag Mat Carrier System	08756
Debris Blower	08759
QAS Utility Box	08760
Rear Remote Hydraulic Kit	08781
Screen-Spark Arrestor	104-6540
Yellow Hydraulic Cap	107-1576
Red Gas Cap	107-2173
Light Kit.....	110-1314
Speed Limiter Kit	110-1371
Draw Bar Hitch Assembly	110-1375
MVP Maintenance Kit	110-8117
Smooth Wheel and Tire ASM.....	112-0034
Drag Mat Assembly	112-1424
Variable Orifice Kit	112-1433
Wheel and Tire Assembly	94-6126

Notes:

Notes:

Notes:



Count on it.