



**Count on it.**

**Parts Catalog**

**MM-655H-S Mortar Mixer**

Model No. 68013—Serial No. 313000001 and Up



# Ordering Replacement Parts

To order replacement parts, please supply the part number, the quantity, and the description of each part desired.

## Understanding Reference Numbers

Each identified part in an illustration has a reference number. The reference number for a part also appears in the parts list, along with other information about the part.

This catalog uses two special reference number formats, one to indicate parts in a service assembly and another to indicate the quantity of a given part in an illustration.

## Service Assembly Reference Numbers

Parts in service assemblies have reference numbers in the form a:b. The a represents the reference number of the entire service assembly and the b represents a sequential number unique to each part within the service assembly.

For example, a wheel assembly might be identified by reference number 6, the tire by 6:1, the valve by 6:2, and the wheel by 6:3. When you order the assembly identified by reference number 6, you receive all parts identified by reference numbers 6:1, 6:2, and 6:3. However, you may also order any part individually. Reference numbers of this type appear in illustration and in parts lists.

## Reference Numbers Indicating Quantity

In an illustration, if a reference number indicates more than one part, the reference number has the form nX y. The n represents the quantity of the part, the X is the multiplication symbol, and the y represents the reference number.

For example, in an illustration, the reference number 2X 37 means that two of the parts identified by reference number 37 are indicated.

# List of Abbreviations

**AR:** as required

**ASM:** assembly

**BBC:** blade brake control

**BHTF:** button head thread forming

**CARR:** carriage

**CCW:** counter clockwise

**CW:** clockwise

**DEG:** degrees

**DPA:** Dual Point Adjustment

**ECM:** electronic control module

**EXT:** external

**FH:** flat head

**GA:** gauge

**HD:** heavy-duty

**HF:** hex flange

**HH:** hex head

**HHF:** hex head flange

**HHFTF:** hex head flange thread forming

**HJ:** hex jam

**HLH:** hex lag head

**HOC:** height-of-cut

**HSBH:** hex socket button head

**HSFH:** hex socket flat head

**HSH:** hex socket head

**HWH:** hex washer head

**HWHTF:** hex washer head thread forming

**HYD:** hydraulic

**LH:** left hand

**LP:** Liquefied Petroleum Gas

**LPG:** Liquefied Petroleum Gas

**NI:** nylon insert

**NPTF:** national pipe thread fine

**PFH:** phillips flat head

**PPH:** phillips pan head

**PPHTF:** phillips pan head thread forming

**PRH:** phillips round head

**PTH:** phillips truss head

**PTO:** power-take-off

**RH:** right hand

**ROPS:** roll-over protection system

**RRB:** rear roller brush

**SFH:** slotted fillister head

**SHH:** slotted hex head

**SHWH:** slotted hex washer head

**SPH:** slotted pan head

**SQH:** square head

**SRH:** slotted round head

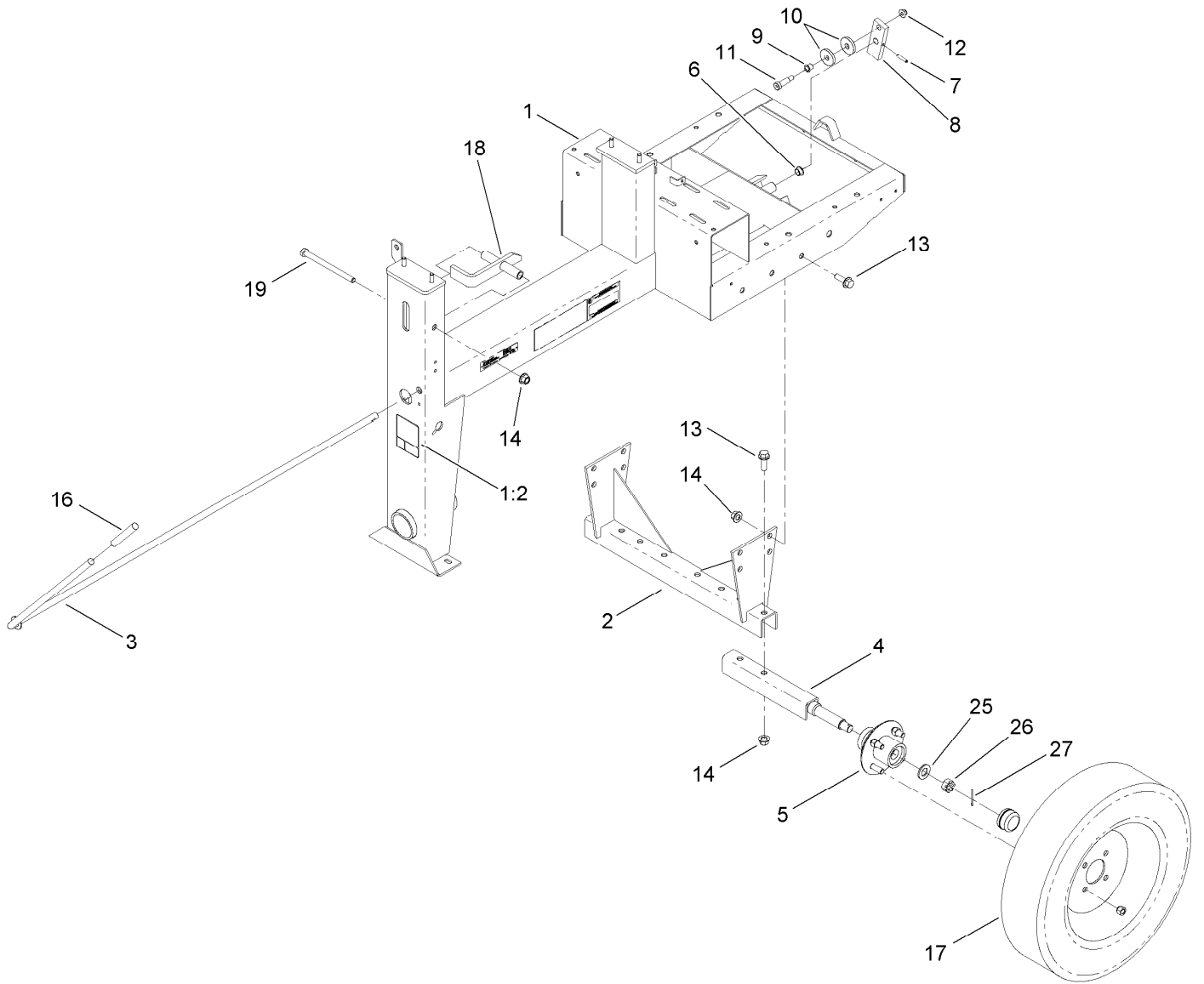
**STD:** standard

**TAP:** self tapping

**TTH:** torx truss head

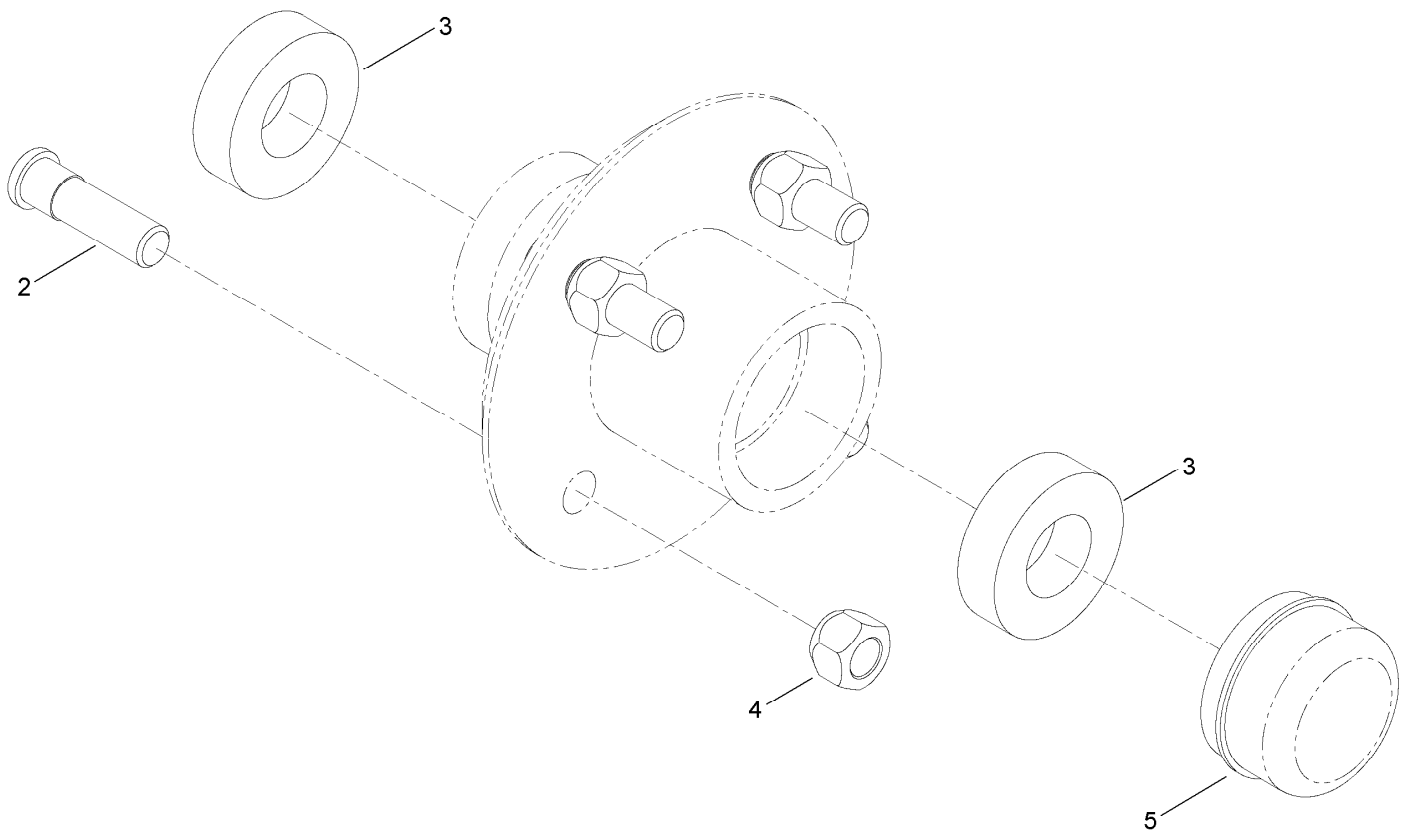
# Contents

- Frame and Axle Assembly ..... 4
- Hub Assembly No. 125-8171 ..... 5
- Drum Assembly ..... 6
- Engine and Pinion Assembly ..... 7
- Pinion Assembly No. ST21471 ..... 8
- Cowl Assembly ..... 9
- Attachments and Accessories ..... 10



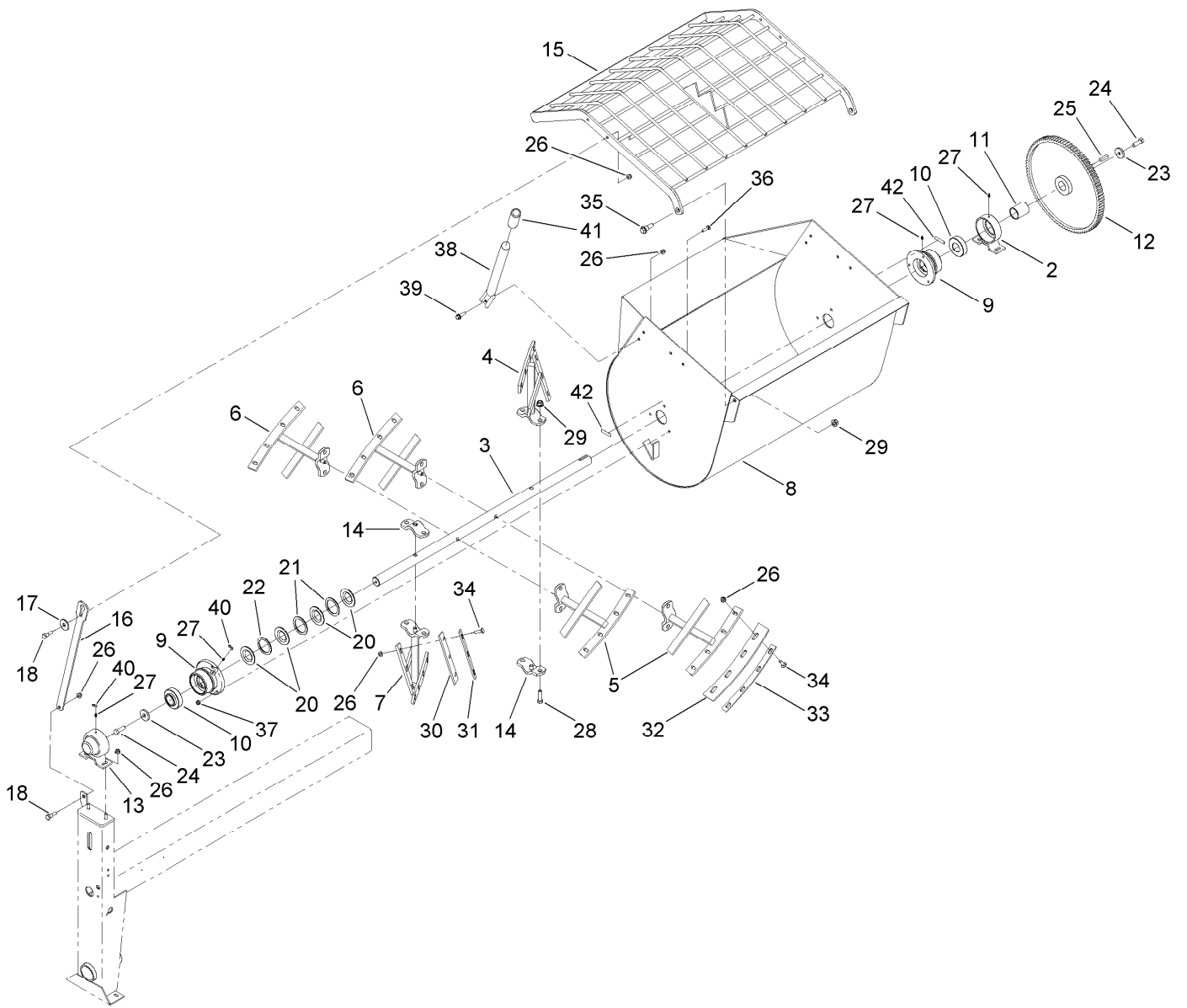
## Frame and Axle Assembly

<i>Ref.</i>	<i>Part Number</i>	<i>Qty.</i>	<i>Description</i>	<i>Ref.</i>	<i>Part Number</i>	<i>Qty.</i>	<i>Description</i>
1	127-1680	1	Frame ASM	11	ST81153	1	Screw-HSBH
1:2	125-8216	1	Decal-Safety Chain, Towing	12	104-8301	1	Nut-Flange, NI
2	125-8219-03	1	Support-Axle	13	100-6116	8	Screw-HHF
3	ST39568-03	1	Lever-Clutch	14	99-5107	9	Nut-Lock
4	ST22512-03	2	Axle-Half	16	ST34687	1	Grip-Handle
5	125-8171	2	Hub	17	ST32306	2	Tire And Rim ASM
6	ST32116	1	Bushing-Flange	18	ST24027-03	1	Latch-Drum
7	32121-69	1	Pin-Spring	19	325-33	1	Screw-HH
8	ST39446-03	1	Link-Clutch	25	3256-28	2	Washer-Flat
9	ST32099	1	Bushing-Flange	26	ST80054	2	Nut
10	ST26326	2	Washer-Flat	27	3272-13	2	Pin-Cotter



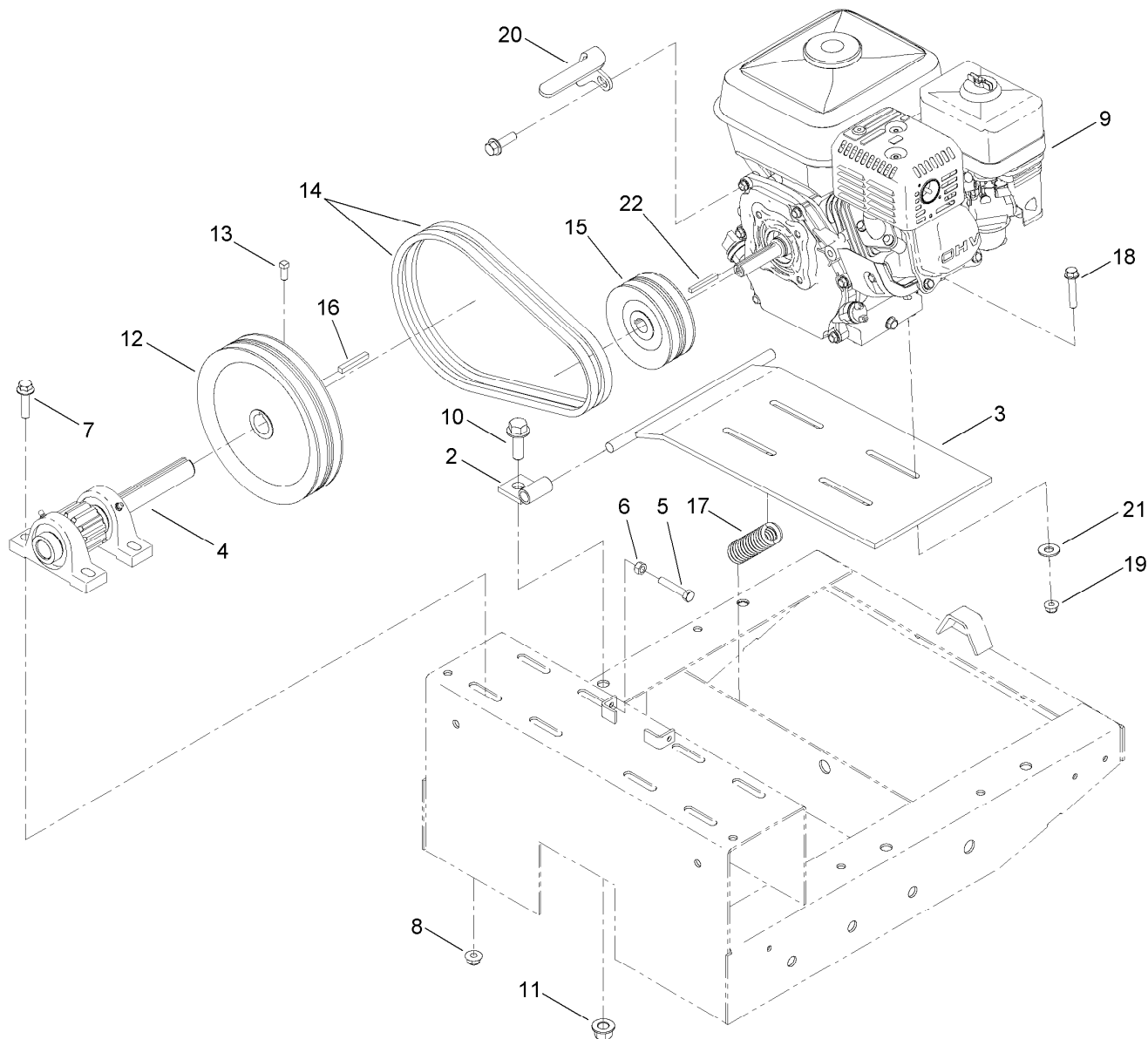
## Hub Assembly No. 125-8171

<i>Ref.</i>	<i>Part Number</i>	<i>Qty.</i>	<i>Description</i>
2	ST39190	4	Stud-Wheel
3	ST32233	2	Bearing-Roller
4	ST80045	4	Nut-Lug
5	ST34573	1	Cap-Dust



## Drum Assembly

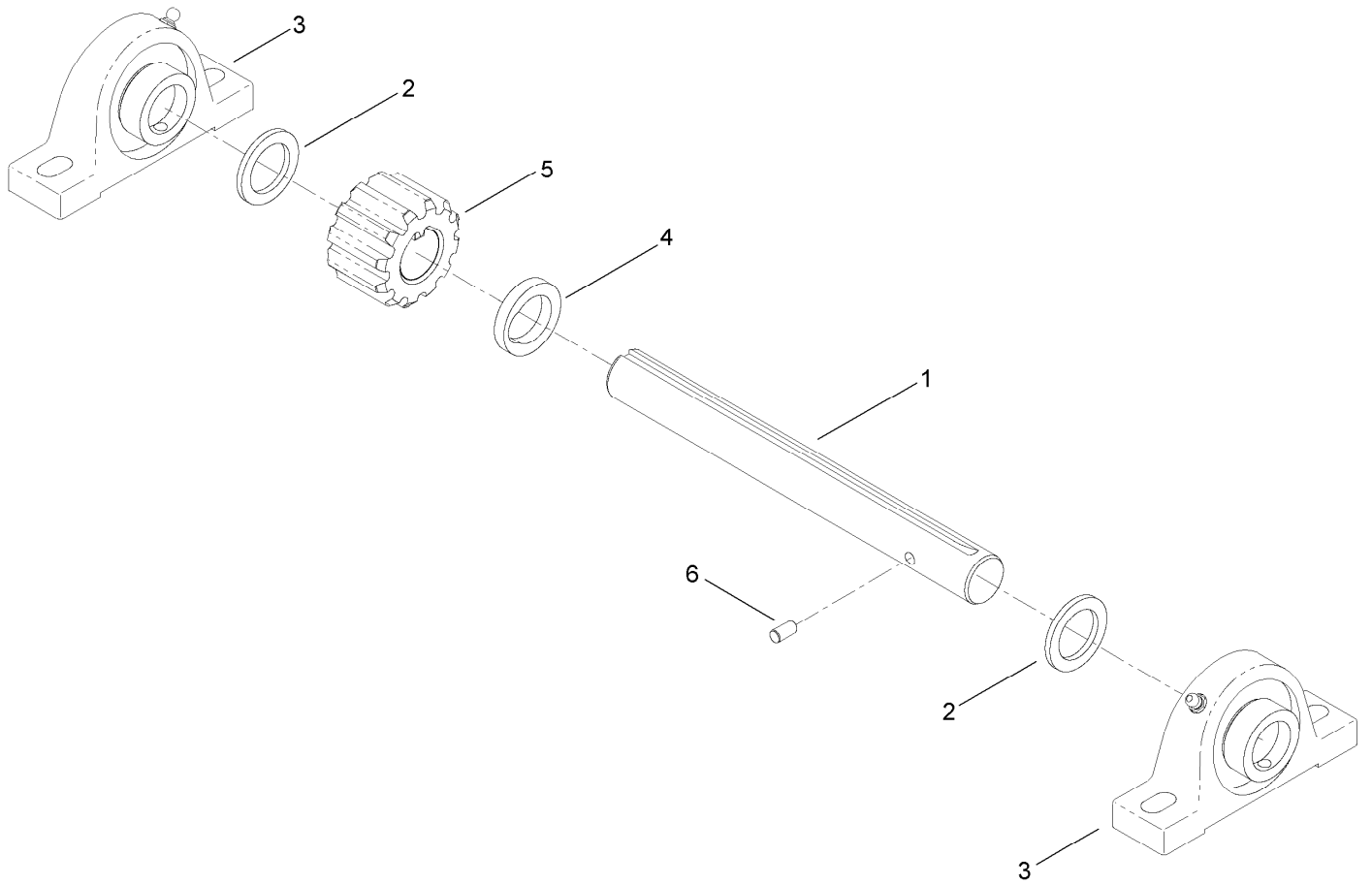
Ref.	Part Number	Qty.	Description	Ref.	Part Number	Qty.	Description
2	ST24021-03	1	Trunnion	23	ST26326	2	Washer-Flat
3	ST24205-01	1	Shaft-Drum	24	325-6	2	Screw-HH
4	ST24219-01	1	Paddle	25	ST81060	1	Key-Square
5	ST24220-01	1	Paddle	26	104-8301	30	Nut-Flange, NI
6	ST24221-01	1	Paddle	27	ST46042	4	Fitting-Grease
7	ST24222-01	1	Paddle	28	325-7	6	Screw-HH
8	ST25934-01	1	Drum	29	99-5107	8	Nut-Lock
9	ST32326-01	2	Housing-Bearing	30	ST24033	2	Blade-Rubber, Short
10	ST32003	2	Bearing-Ball	31	ST24031-01	2	Bar-Backer, Short
11	ST25909	1	Spacer-Shaft, Drum	32	ST24106	4	Blade-Rubber, Long
12	ST26933-03	1	Gear-94 Teeth	33	ST24104-01	4	Bar-Backer, Long
13	ST36574-03	1	Trunnion-Capped	34	3231-25	22	Bolt-CARR
14	ST24107-01	2	Clamp	35	116-0780	2	Screw-HHF, Shoulder
15	125-6253-01	1	Guard-Drum	36	3230-3	6	Screw-CARR
16	125-6223-03	1	Bar-Guard, Lift	37	104-8300	6	Nut-Flange, NI
17	106-2008	1	Washer-Thrust	38	ST44347-01	1	Handle-Dump
18	80-1300	2	Bolt-Shoulder	39	3234-24	2	Screw-HHF
20	ST32324	8	Seal-Drum	40	ST47001	4	Cap-Plug
21	ST24017	4	Washer-Flat	41	ST47023	1	Grip-Hand
22	ST25881	2	Washer-Split	42	125-8175	2	Decal-Grease



## Engine and Pinion Assembly

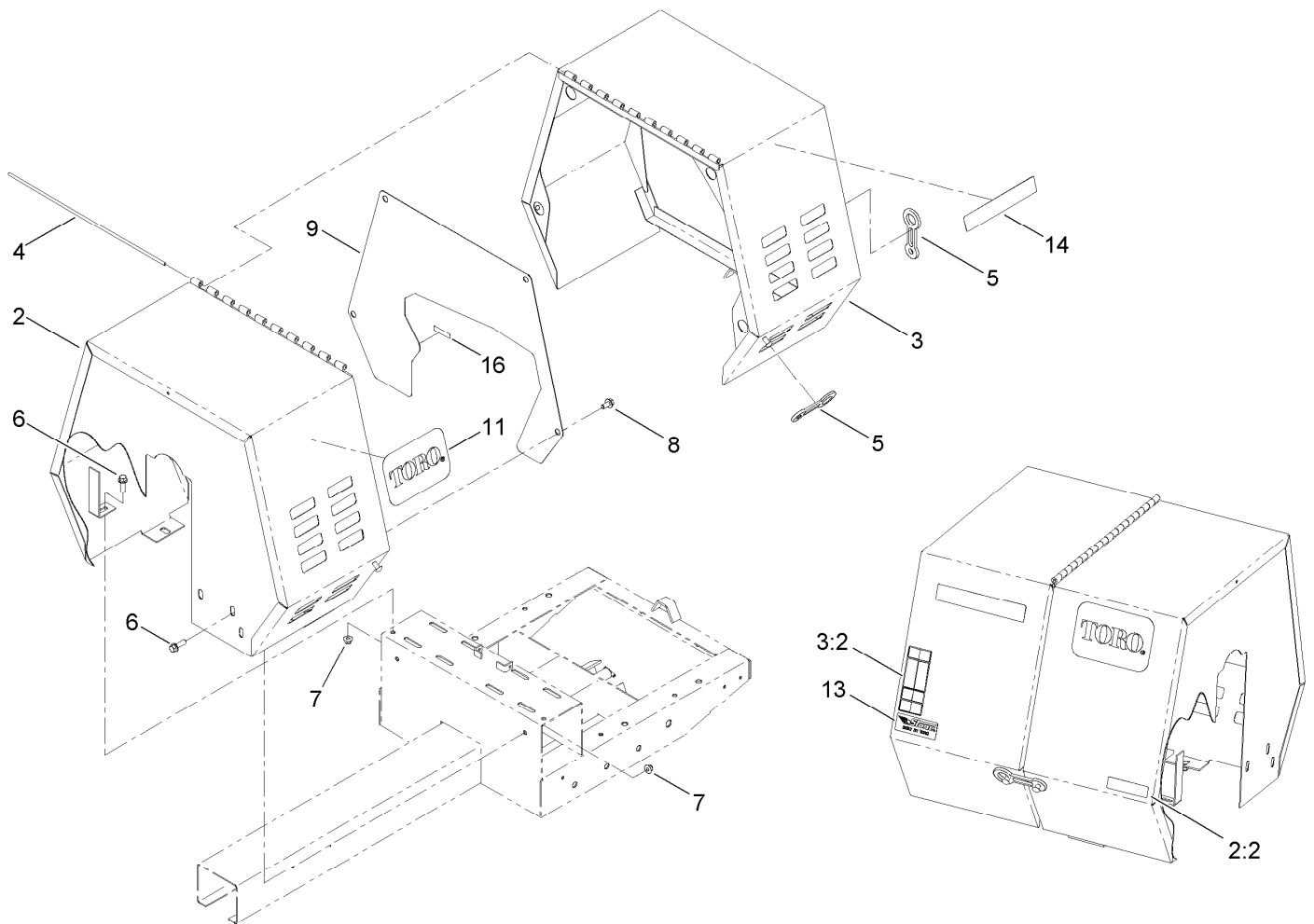
Ref.	Part Number	Qty.	Description	Ref.	Part Number	Qty.	Description
2	ST57786-03	2	Mount-Motor	13	120-6474	2	Screw-Set, SQH
3	ST39565-03	1	Base-Motor	14	ST34052	2	Belt-V
4	ST21471	1	Pinion ASM	15	ST38664	1	Sheave
5	322-41	1	Screw-HH	16	7-0238	1	Key-Square
6	3217-6	1	Nut-Hex	17	ST34849	1	Spring
7	114-4681	4	Screw-HHF	18	94-5780	4	Screw-HWH
8	104-8301	4	Nut-Flange, NI	19	104-8300	4	Nut-Flange, NI
9	125-4820	1	Engine-Honda, Gx160 ●	20	127-1665-03	1	Guide-Belt
10	100-6116	2	Screw-HHF	21	3256-4	4	Washer-Flat
11	99-5107	2	Nut-Lock	22	ST37716	1	Key-Square
12	ST38450	1	Sheave				

● Obtain parts from [www.honda-engines.com](http://www.honda-engines.com)



## Pinion Assembly No. ST21471

<i>Ref.</i>	<i>Part Number</i>	<i>Qty.</i>	<i>Description</i>
1	ST24036	1	Shaft-Pinion
2	ST24622	2	Washer-Flat
3	ST32208	2	Bearing-Block, Pillow
4	ST38122	1	Washer
5	ST57625	1	Gear-Spur
6	95-0715	1	Pin-Dowel



## Cowl Assembly

Ref.	Part Number	Qty.	Description
2	127-1683	1	Stationary Cowl ASM
2:2	117-2718	1	Decal-Arrester, Spark
3	127-1685	1	Movable Cowl ASM
3:2	125-4939	1	Decal-Warning
4	ST44368	1	Pin
5	ST47182	3	Latch-Rubber
6	3234-24	6	Screw-HHF
7	104-8301	6	Nut-Flange, NI
8	110-9380	4	Screw-HWH
9	125-6310-03	1	Plate-Guard
11	67-7320	2	Decal
13	125-4942	1	Decal
14	125-4948	2	Decal-Mm-655H
16	125-8175	1	Decal-Grease

# Attachments and Accessories

## For 68013 MM-655H-S Mortar Mixer

<b>Product Name</b>	<b>Model/Part</b>
31 inch Forged Tow Pole Hitch .....	68056
31 inch Pintel Tow Pole Hitch .....	68058
31 inch Stamped Tow Pole Hitch .....	68060
Trailer Light Kit.....	68062

**Notes:**



**Count on it.**