



MODEL NO. 03505 – 60001 thru
70001 & UP
MODEL NO. 03508 – 60001 thru
70001 & UP

**OPERATOR'S
MANUAL**

5 BLADE & 8 BLADE CUTTING UNITS
For Reelmaster® 5100D/5300D Traction Units

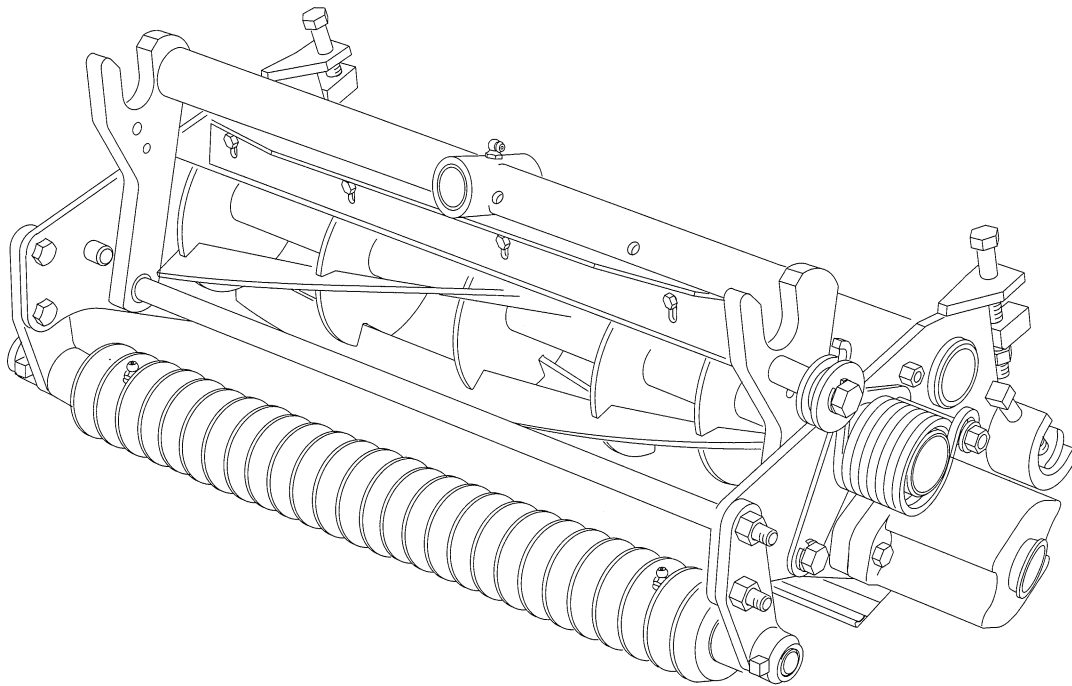


TABLE OF CONTENTS

	Page No.		Page No.
SPECIFICATIONS	2	LUBRICATION	5
KNOW YOUR CUTTING UNIT	2	MAINTENANCE	6
ADJUSTING CUTTING UNIT	3	Removing Bedknife For Grinding	6
Adjusting Bedknife to Reel	2	Preparing Reel for Grinding	6
Adjusting Shield Height	3	Servicing and Adjusting Reel Bearings	6
Adjusting Top Bar	3	Removal of Reel Assembly	7
Leveling Front Roller to Reel	4	MAINTENANCE CHART	7
Adjusting Height-of-Cut	4	TORO PROMISE	8
BACKLAPPING CUTTING UNIT	4		

SPECIFICATIONS

CUTTING UNIT

REEL CONSTRUCTION: 5 or 8 blades welded construction.

HEIGHT OF CUT RANGE:

5 Blade – 1/2" to 3/4"

8 Blade – 1/4" to 5/8"

REEL DIAMETER: 5 in.

POWER: Hydraulic motor splined to reel shaft.

BEARINGS: Tapered roller.

BEDKNIFE AND BEDBAR ADJUSTMENT: Opposing screw.

ROLLER ADJUSTMENT:

Front: Fixed

Rear: Screw adjustable with bolt clamp lock

ADJUSTING CUTTING UNIT

IMPORTANT: Read this Operator's Manual thoroughly before operating cutting unit. Failure to do so may result in damage to the cutting unit.

Note: The Cutting Units are shipped completely assembled. Two flange lock nuts, shipped on studs of each cutting unit are used to mount the reel drive motor to the cutting unit. Retain these fasteners for later installation.

After the cutting unit is unboxed, use the following procedures to assure the cutting units are adjusted properly.

1. Check for looseness in the bearings between the end plate and reel. Check looseness of bearings by moving reel laterally or axially on each end of cutting unit, refer to section on Servicing And Adjusting The Reel Bearings.
2. Check drive end of the reel for grease. Grease to be visibly evident.
3. Insure that all nuts and bolts are securely fastened.
4. Check level of front roller to reel: refer to section on Leveling Front Roller Assembly to Reel.

ADJUSTING BEDKNIFE TO REEL

1. Adjustment of bedknife to reel is accomplished by first, loosening bottom screw on each side of cutting unit (Fig. 1), then tightening the top adjustment screw

on each side of cutting unit. This adjustment will position the bedknife closer to the reel blades.

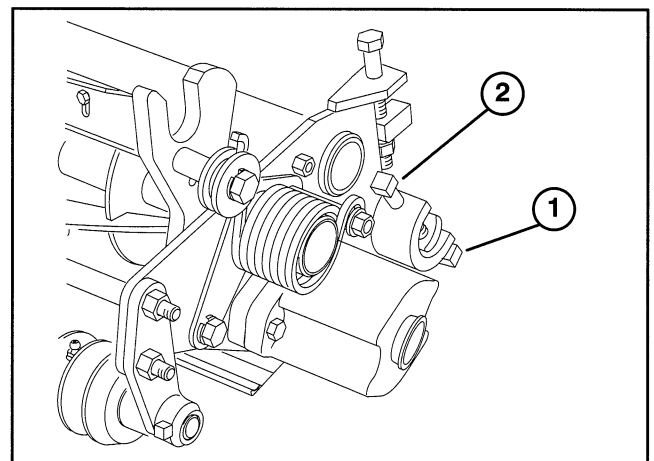


Figure 1

1. Bottom Bedknife Adjusting Screw
2. Top Bedknife Adjusting Screw

IMPORTANT: Use only a 3/8 open end wrench 3" – 6" in length for adjusting bedknife to reel. A longer wrench will provide too much leverage and may cause distortion of the mounting plate for the adjustment screw.

2. After adjusting bedknife to reel, make sure that both the top and the bottom adjustment screws are secured on both ends of the cutting unit (Fig. 1).

ADJUSTING CUTTING UNIT

3. After the adjustment is accomplished, check to see if reel can pinch paper when inserted from the front and cut paper when inserted at a right angle (Fig. 2). It should be possible to cut paper with minimum contact between the bedknife and the reel blades. Should excessive reel drag be evident it **will** be necessary to either back lap or re-grind the cutting unit to achieve the sharp edges needed for precision cutting (see Toro reel sharpening manual).

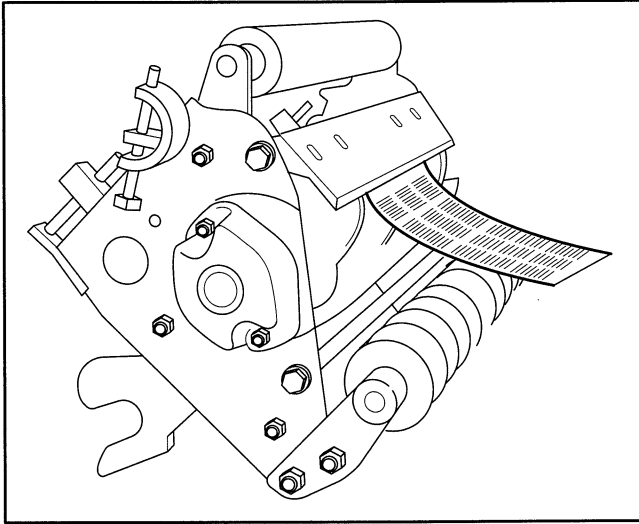


Figure 2

ADJUSTING SHIELD HEIGHT

Adjust shield to assure proper grass clipping discharge into basket or for desired front discharge when not using baskets.

1. Set cutting unit in normal cutting position (Fig. 3).

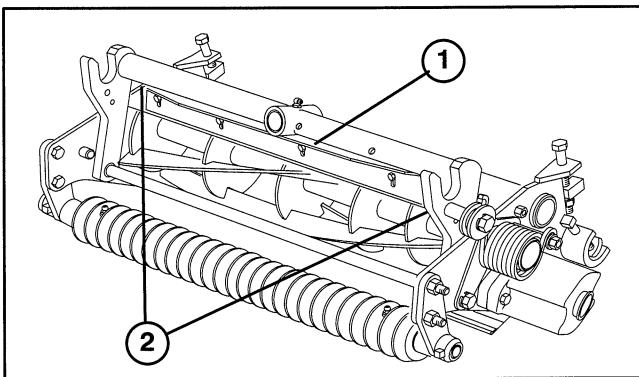


Figure 3

1. Shield
2. Shield Fasteners

2. Loosen capscrews and nuts securing shield to each side-plate, adjust shield to desired height and tighten fasteners (Fig. 3).

3. Repeat adjustment on remaining cutting units and adjust top bar, refer to section on Adjusting Top Bar.

When mowing in conditions in which excessive amounts of clippings are being removed, rear discharge may be desirable. Opening the rear shield will allow direct discharge of clippings, thus preventing re-cutting.

To open the rear shield:

1. Loosen the locking bolt on the side of the cutting unit (Fig. 4).

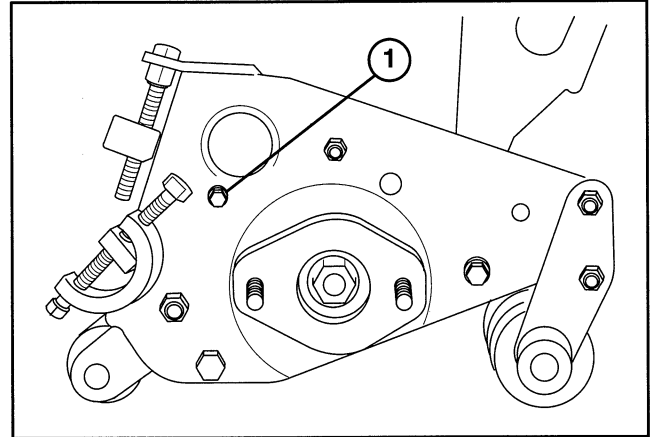


Figure 4

1. Rear Shield Locking Bolt

2. Open the rear shield to the desired operating position.

3. Tighten the locking bolt to secure shield.

ADJUSTING TOP BAR

Adjust top bar to assure clippings are cleanly discharged from reel area:

1. Loosen screws securing top bar (Fig. 5). Insert 0.060 inch feeler gauge between top of reel and bar and tighten screws (Fig. 5). Assure bar and reel are equal distance apart across complete reel.

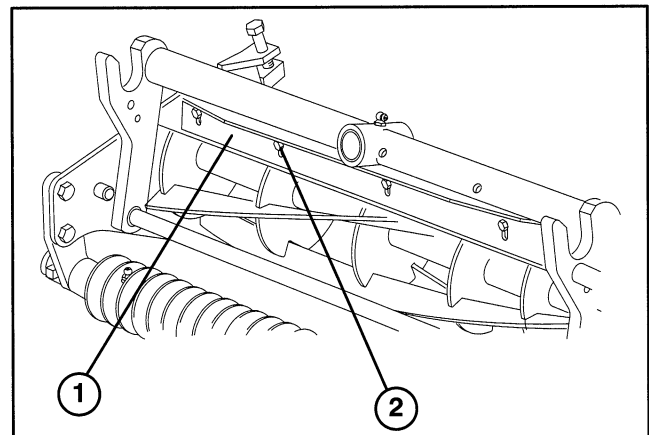


Figure 5

1. Top bar
2. Bar Mounting Screws

2. Repeat settings on remaining cutting units.

ADJUSTING CUTTING UNIT

NOTE: Bar is adjustable to compensate for changes in turf conditions. Bar should be parallel to reel to assure optimum performance and should be adjusted whenever shield height is adjusted or whenever reel is sharpened on a reel grinder.

LEVELING FRONT ROLLER TO REEL

1. Adjust rear roller assembly to lowest height-of-cut, refer to section on Adjusting Height of Cut. Do not tighten nuts securing height of cut brackets at this time.

2. Place a 1/4 inch or thicker plate under the reel blades and against the cutting edge of the bedknife (Fig. 6). Rear roller should not contact surface.

NOTE: Be sure the plate covers the full length of reel blades.

3. Level front roller to reel by loosening (4) capscrews holding front roller brackets and rotating front roller until it contacts surface that plate is on. Tighten capscrews and make sure roller has not changed position. To prevent moving the roller bracket when tightening, hold nut and tighten capscrew.

4. With the Cutting Unit reel blades positioned on the plate, hold Cutting Unit securely and turn tap bolts until the rear roller assembly contacts the working surface across the full length of the roller.

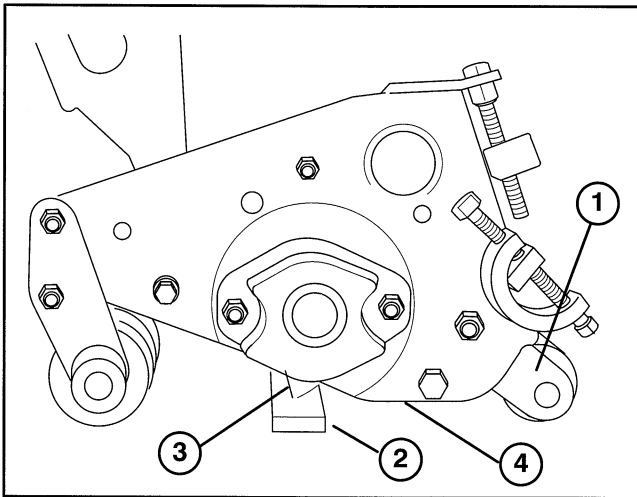


Figure 6

- | | |
|-------------------------|----------------|
| 1. Rear Roller Bracket | 3. Reel Blades |
| 2. 1/4 Inch Steel Plate | 4. Bedknife |

NOTE: This adjustment should be made on a flat working surface.

5. Secure nut on outside of rear roller height-of-cut bracket to lock roller in place.

ADJUSTING HEIGHT OF CUT

1. Front roller must be leveled first, refer to section on Leveling Front Roller To Reel.

2. To adjust the height of cut, the cutting unit should be turned over.

3. Loosen the locknuts securing the height of cut brackets to each end of the cutting unit (Fig. 7).

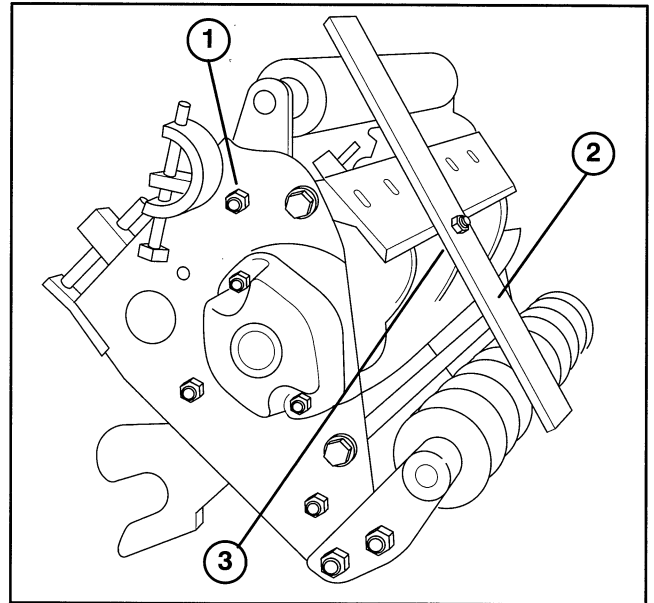


Figure 7

- | | |
|--------------|-------------------------|
| 1. Locknut | 3. Gauge Bar Screw head |
| 2. Gauge Bar | |

4. Set the head of the screw on the gauge bar to the desired height of cut, making this measurement from the bar face to underside of screw head.

5. Place the bar across the front and rear rollers and adjust the tap bolt until the underside of the screw head engages the bedknife cutting edge (Fig. 7).

IMPORTANT: Do procedure No. 4 on each end of the bedknife. Retighten height of cut adjustment locknuts on both ends. Recheck adjustment.

BACKLAPPING CUTTING UNITS



DANGER

REELS MAY STALL WHILE BACKLAPPING. DO NOT ATTEMPT TO RESTART REELS BY HAND OR ADJUST WHILE BACKLAPPING. SET SPEED CONTROL TO POSITION 11 TO START REELS; SET TO POSITION 1 FOR BACKLAPPING.

Note: Backlap either the front cutting units together or the rear ones together.

1. Position machine on a clean, level surface, lower the cutting units, stop the engine, engage the parking brakes, move enable/disable switch to disable position and remove key from ignition switch.
2. Unlock and raise seat to expose controls.
3. Make initial reel to bedknife adjustments appropriate for backlapping on all cutting units. Start engine and set engine at idle speed.
4. Set both reel speed controls to position 11. Select either front or rear on backlap switch to determine which units to backlap.
5. Move enable / disable switch to enable position. Move lower mow / raise lever forward to start backlapping operation on designated reels.
6. For the cutting units being backlapped, move the reel speed control to position 1.

7. Apply lapping compound with long handled brush supplied with machine.



CAUTION

Be careful when lapping the reel because contact with the reel or other moving parts can result in personal injury.

8. To make an adjustment to the cutting units while backlapping, Turn reels OFF by moving Lower mow / Raise lever REARWARD, Move Enable / Disable switch to DISABLE and turn engine OFF. After adjustments have been completed, repeat steps 3–7.

9. Repeat procedure for remaining cutting units.

10. When backlap operation is completed, return backlap switch to OFF, set reel speed controls to desired mowing setting and wash all lapping compound off cutting units.

Note: Additional instructions and procedures on Backlapping are available in the TORO Sharpening Reel & Rotary Mowers Manual Form No. 80–300PT.

NOTE: For a better cutting edge, run a file across the front face of the bedknife when the lapping operation is completed. This will remove any burrs or rough edges that may have built up on the cutting edge.

LUBRICATION

There are six (6) grease fittings on each cutting unit (Fig. 8), which must be lubricated using a No. 2 multi-purpose lithium base grease. A hand operated grease gun is recommended for best results.

IMPORTANT: Lubricating cutting units immediately after washing helps purge water out of bearings and increases bearing life.

1. Wipe each grease fitting with a clean rag.
2. Grease reel bearings as follows:
 - A. Hydraulic motor end; apply grease until pressure is felt against handle.
 - B. Counterbalance end; apply grease until it starts to come through seal inside counter balance hole.
3. Apply grease to front and rear roller bearings until it begins to show around washers, on rear rollers or seal lips, on front rollers.

IMPORTANT: Do not apply too much pressure or grease seals will be permanently damaged.

4. Wipe excess grease away.

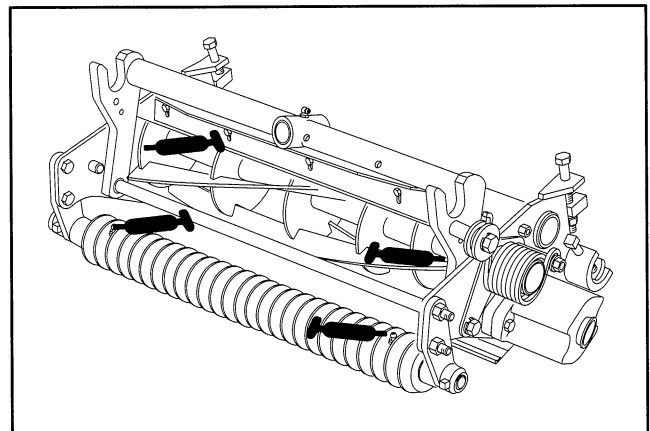


Figure 8

MAINTENANCE

IMPORTANT: Reel motors must be removed before removing the cutting units to prevent hose damage due to twisting, bending, and kinking.

REMOVING BEDKNIFE FOR GRINDING

The rear roller assembly must be removed in order to remove the bedknife assembly for sharpening. To remove the rear roller, proceed as follows:

1. Remove capscrew and nut anchoring the rear roller height-of-cut bracket to the side plate on both ends of the cutting unit (Fig. 9).

2. Loosen set screws securing the rear roller shaft to the height-of-cut brackets.

IMPORTANT: When reinstalling rear roller shaft to the height-of-cut brackets, torque set screws to 25–30 ft.-lb.

3. Unthread the tap bolts from the height-of-cut brackets and remove the from both side plates.

4. Remove the bedbar mounting bolts from each end of the cutting unit (Fig. 9). Then loosen the bedknife adjusting screws at each end of the cutting unit (Fig. 9). The bedknife assembly can then be removed by rotating it away from the reel.

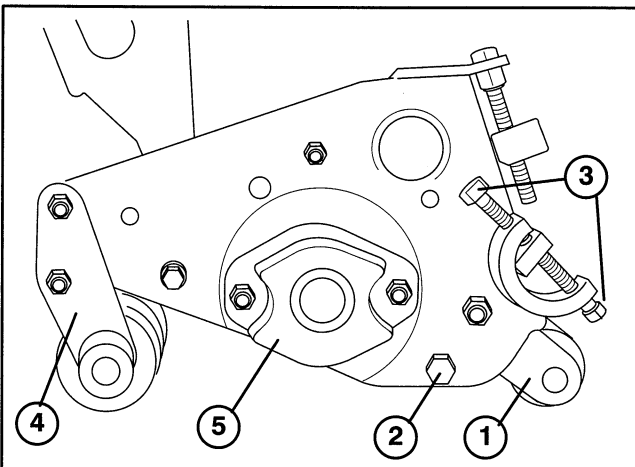


Figure 9

1. Rear Roller Height of Cut Bracket
2. Bedbar Mounting Bolts
3. Bedknife Adjusting Screws
4. Front Roller Brackets
5. Counterbalance End Cap

IMPORTANT: When reinstalling the bedbar assembly, be sure to assemble rear roller brackets under arms of bedbar.

NOTE: For proper grinding of bedknife, grind in accordance with procedures in the TORO Sharpening Reel & Rotary Mowers Manual Form No. 80–300PT.

PREPARING REEL FOR GRINDING

The front roller may have to be removed so that the reel can be sharpened. To accomplish this, proceed as follows:

IMPORTANT: Some reel grinders may require that the rear roller assembly be mounted to the cutting unit for proper support in the reel grinder.

1. Remove the locknuts securing the front roller brackets to the sideplates at both ends of the cutting unit (Fig. 9).

2. The roller assembly can then be removed from the cutting unit by pulling evenly on both sides.

3. For proper grinding of reel, grind in accordance with procedures in TORO Sharpening Reel & Rotary Mowers Form No. 80–300PT.

IMPORTANT: After grinding operation is complete, reassemble cutting unit, check bearing adjustment and adjust top shield and bar; refer to sections on Adjusting Shield Height and Adjust Top Bar. Back lap the cutting unit to complete sharpening operation. To assure proper alignment of the rear roller in the roller brackets, make sure roller moves freely within brackets before tightening set screws on bearing shafts. Apply medium strength Locktite #242 to set screws before tightening.

SERVICING AND ADJUSTING THE REEL BEARINGS

IMPORTANT: Before removing cutting unit, remove reel motors to prevent damaging hydraulic hoses.

It is recommended that a check be made periodically of the drag on the reel bearings. Proper adjustment of the reel bearings insures that no end play of reel exists and there is minimum rolling torque of reel assembly. All measurements and adjustments of reel rolling torque must be done with a completely assembled cutting unit. The reel bearings can be checked and adjusted in the following manner:

1. First, adjust the bedknife so it is not in contact with the reel.

2. The rolling torque required to turn the reel should be 4 to 7 inch pounds. This should be measured with a torque wrench.

If the rolling torque of the reel is not per specification or end play of reel exists, adjust the reel bearing as follows:

A. Remove the mounting nuts from the counterbalance end cap and remove end cap from the mounting studs (Fig. 9).

B. Using a large socket wrench, remove the reel bearing adjustment nut. Tap on the head of the hex head bolt on the end of the reel shaft, with a small hammer, until end play of the reel can be felt.

The Toro Promise **A One Year Limited Warranty**

The Toro Company promises to repair your TORO product if defective in materials or workmanship. The following time periods from the date of purchase apply:

Commercial Products 1 Year

The cost of parts, labor and transportation are included.

If you feel your TORO Product is defective and wish to rely on The Toro Promise, the following procedure is recommended:

1. Contact your Authorized TORO Distributor or Commercial Dealer (the Yellow Pages of your telephone directory is a good reference source).
2. The TORO Distributor or Commercial Dealer will advise you on the arrangements that can be made to inspect and repair your product.
3. The TORO Distributor or Commercial Dealer will inspect the product and advise you whether the product is defective and, if so, make all repairs necessary to correct the defect without an extra charge to you.

If for any reason you are dissatisfied with the distributor's analysis of the defect or the service performed, you may contact us.

Write:

TORO Commercial Products Service Department
8111 Lyndale Avenue South
Minneapolis, MN 55420

The above remedy of product defects through repair by an Authorized TORO Distributor or Commercial Dealer is the purchaser's sole remedy for any defect.

THERE IS NO OTHER EXPRESS WARRANTY. ALL IMPLIED WARRANTIES OF MERCHANTABILITY AND FITNESS FOR USE ARE LIMITED TO THE DURATION OF THE EXPRESS WARRANTY.

Some states do not allow limitations on how long an implied warranty lasts, so the above limitation may not apply to you.

This Warranty applies only to parts or components which are defective and does not cover repairs necessary due to normal wear, misuse, accidents, or lack of proper maintenance. Regular, routine maintenance of the unit to keep it in proper operating condition is the responsibility of the owner.

All warranty repairs reimbursable under The Toro Promise must be performed by an Authorized Toro Commercial Dealer or Distributor using Toro approved replacement parts.

Repairs or attempted repairs by anyone other than an Authorized TORO Distributor or Commercial Dealer are not reimbursable under the TORO Promise. In addition, these unauthorized repair attempts may result in additional malfunctions, the correction of which is not covered by warranty.

THE TORO COMPANY IS NOT LIABLE FOR INDIRECT, INCIDENTAL OR CONSEQUENTIAL DAMAGES IN CONNECTION WITH THE USE OF THE PRODUCT INCLUDING ANY COST OR EXPENSE OF PROVIDING SUBSTITUTE EQUIPMENT OR SERVICE DURING PERIODS OF MALFUNCTION OR NON-USE.

Some states do not allow the exclusion of incidental or consequential damages, so the above exclusion may not apply to you.

This warranty gives you specific legal rights, and you may also have other rights which vary from state to state.

COUNTRIES OTHER THAN THE UNITED STATES OR CANADA

Customers who have purchased TORO products exported from the United States or Canada should contact their TORO Distributor (Dealer) to obtain guarantee policies for your country, province, or state. If for any reason you are dissatisfied with your Distributor's service or have difficulty obtaining guarantee information, contact the TORO importer. If all other remedies fail, you may contact us at The Toro Company.

Compliance with Radio Interference Regulations Certified.