



Count on it.

Parts Catalog

TR-34D Trench Roller

Model No. 68039—Serial No. 313000001 and Up



Ordering Replacement Parts

To order replacement parts, please supply the part number, the quantity, and the description of each part desired.

Understanding Reference Numbers

Each identified part in an illustration has a reference number. The reference number for a part also appears in the parts list, along with other information about the part.

This catalog uses two special reference number formats, one to indicate parts in a service assembly and another to indicate the quantity of a given part in an illustration.

Service Assembly Reference Numbers

Parts in service assemblies have reference numbers in the form a:b. The a represents the reference number of the entire service assembly and the b represents a sequential number unique to each part within the service assembly.

For example, a wheel assembly might be identified by reference number 6, the tire by 6:1, the valve by 6:2, and the wheel by 6:3. When you order the assembly identified by reference number 6, you receive all parts identified by reference numbers 6:1, 6:2, and 6:3. However, you may also order any part individually. Reference numbers of this type appear in illustration and in parts lists.

Reference Numbers Indicating Quantity

In an illustration, if a reference number indicates more than one part, the reference number has the form nX y. The n represents the quantity of the part, the X is the multiplication symbol, and the y represents the reference number.

For example, in an illustration, the reference number 2X 37 means that two of the parts identified by reference number 37 are indicated.

List of Abbreviations

AR: as required

ASM: assembly

BBC: blade brake control

BHTF: button head thread forming

CARR: carriage

CCW: counter clockwise

CW: clockwise

DEG: degrees

DPA: Dual Point Adjustment

ECM: electronic control module

EXT: external

FH: flat head

GA: gauge

HD: heavy-duty

HF: hex flange

HH: hex head

HHF: hex head flange

HHFTF: hex head flange thread forming

HJ: hex jam

HLH: hex lag head

HOC: height-of-cut

HSBH: hex socket button head

HSFH: hex socket flat head

HSH: hex socket head

HWH: hex washer head

HWHTF: hex washer head thread forming

HYD: hydraulic

LH: left hand

LP: Liquefied Petroleum Gas

LPG: Liquefied Petroleum Gas

NI: nylon insert

NPTF: national pipe thread fine

PFH: phillips flat head

PPH: phillips pan head

PPHTF: phillips pan head thread forming

PRH: phillips round head

PTH: phillips truss head

PTO: power-take-off

RH: right hand

ROPS: roll-over protection system

RRB: rear roller brush

SFH: slotted fillister head

SHH: slotted hex head

SHWH: slotted hex washer head

SPH: slotted pan head

SQH: square head

SRH: slotted round head

STD: standard

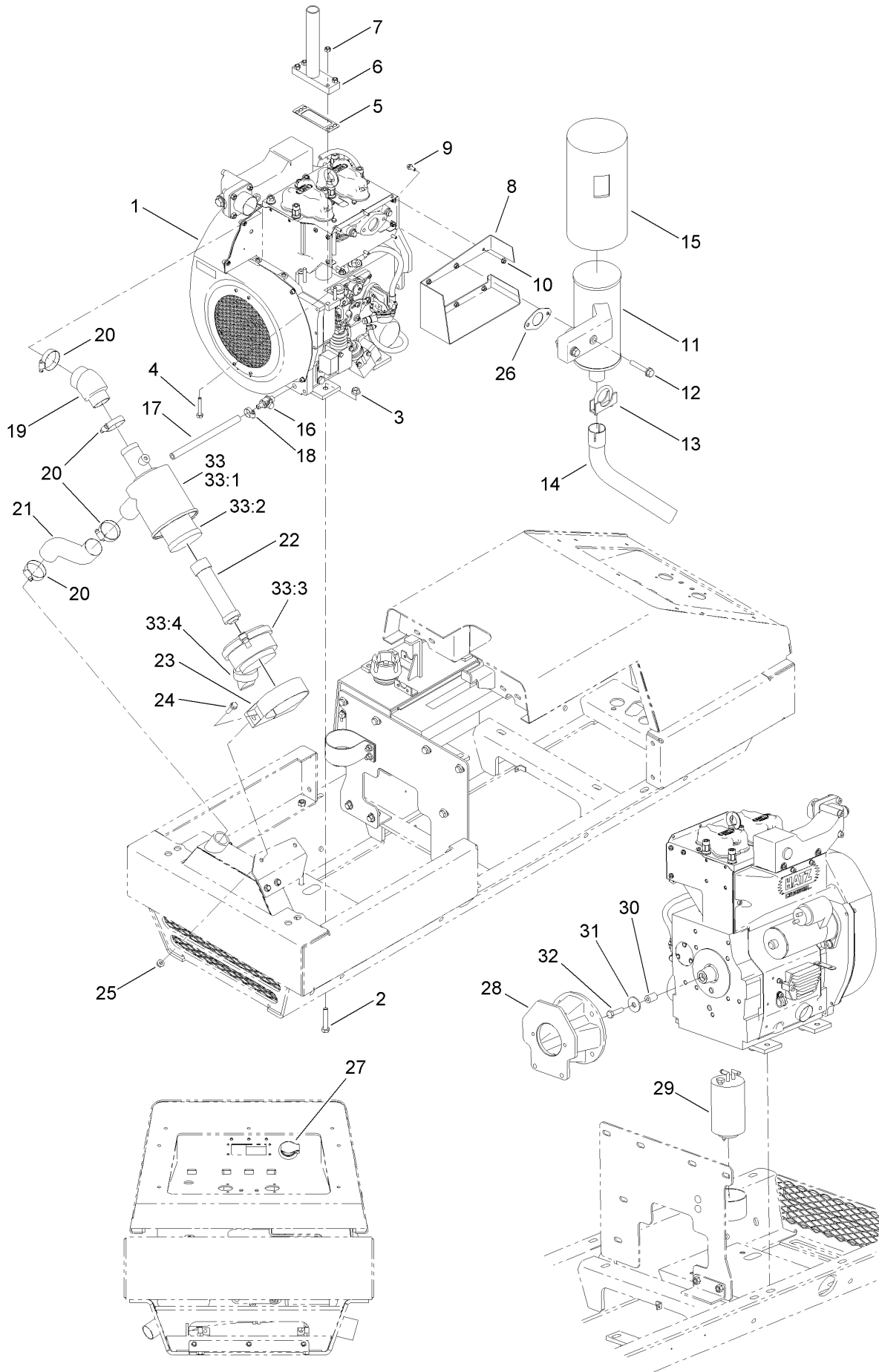
TAP: self tapping

TTH: torx truss head

Contents

Engine, Air Cleaner and Muffler Assembly	4
Fuel Tank Assembly	6
Frame Assembly	8
Drum and Scraper Assembly	10
Parking Brake Assembly No. ST58161	12
Hydraulic Tank, Manifold and Pump Assembly	14
Return Filter Assembly No. ST39991	16
Hydraulic Manifold Assembly No. ST50269	18
Wheel Motor and Counter Balance Weight Assembly	20
Battery and Control System Assembly	22
Junction Box Assembly No. ST48556	24
Electric Junction Box Assembly No. ST48558	26
Radio and Cable Assembly	28
Hydraulic Routing Assembly Main Frame	30
Hydraulic Routing Assembly Wheel Motor and Manifold	32
Hydraulic Routing Assembly Tank Assembly	34
Hood Assembly	36
Hood Latch and Wear Strip Assembly	38
Attachments and Accessories	40

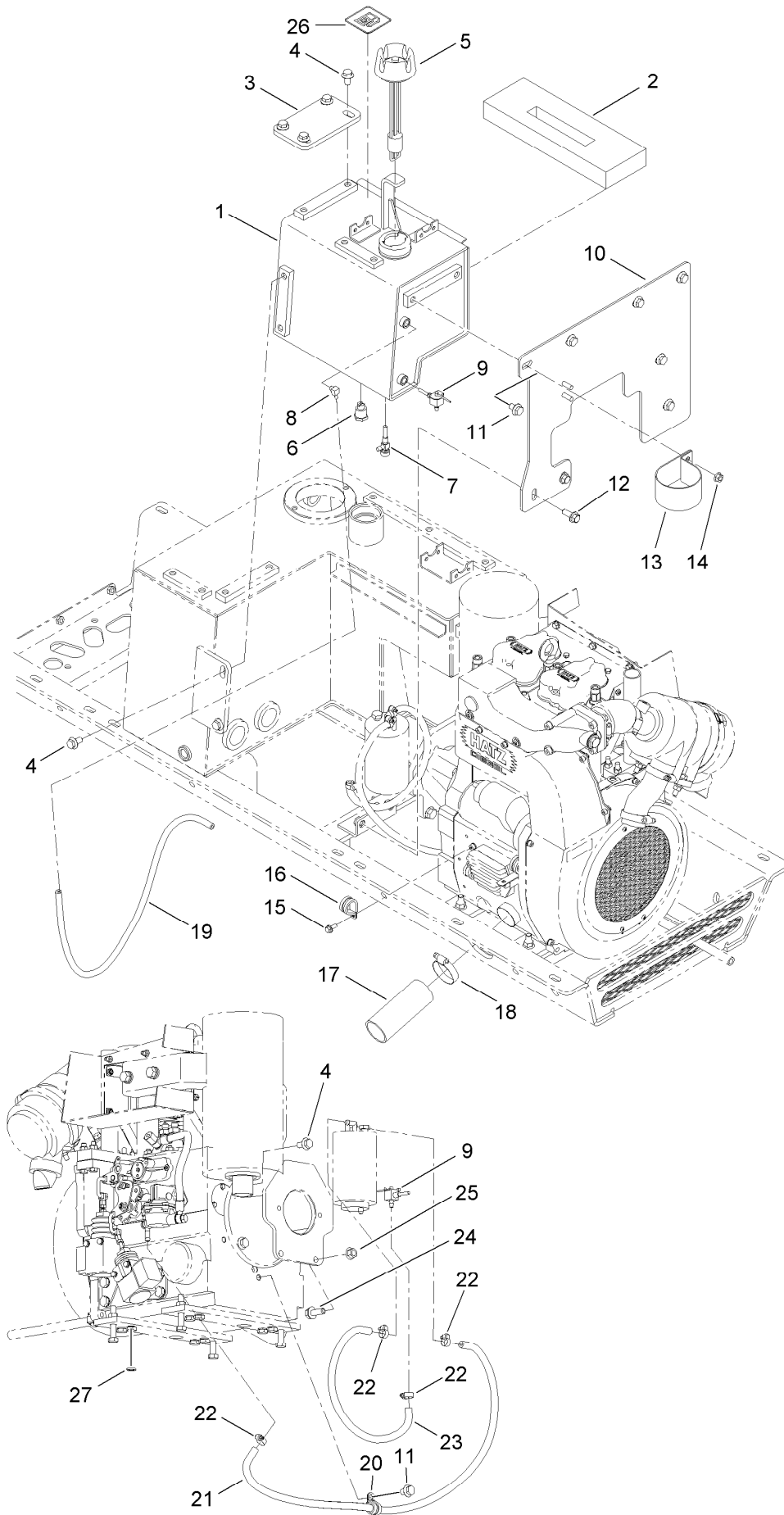
Engine, Air Cleaner and Muffler Assembly



Engine, Air Cleaner and Muffler Assembly (continued)

<i>Ref.</i>	<i>Part Number</i>	<i>Qty.</i>	<i>Description</i>	<i>Ref.</i>	<i>Part Number</i>	<i>Qty.</i>	<i>Description</i>
1	ST30358	1	Engine ASM	20	2412-130	4	Clamp-Hose
2	ST81032	4	Screw-HH	21	ST47448	1	Hose-Flex, Vacuum
3	33005-00	5	Nut-HF	22	ST36561	1	Filter-Safety
4	33114-050	2	Screw-HH	23	ST39911	1	Band-Mounting, Air Cleaner
5	ST42976	1	Gasket-Filler, Oil	24	33104-035	2	Screw-HHF
6	ST36541-03	1	Filler-Oil	25	33004-00	2	Nut-HF
7	33024-00	4	Nut-Lock, NI	26	125-6365	1	Gasket
8	ST36461-03	1	Ducting-Air, Out Extension	27	ST36307	1	Switch-Ignition
9	33103-016	6	Screw-HHF	28	ST30391	1	Housing-Mounting, Pump
10	33003-00	6	Nut-HF	29	ST30345	1	Filter-Fuel/Water Separator
11	ST39866	1	Muffler	30	125-6366	1	Insert-Thread
12	33105-060	2	Screw-HHF	31	ST81262	1	Washer-Flat
13	ST36779	1	Clamp-Muffler	32	ST80837	1	Screw-HH
14	ST39867	1	Tailpipe	33	ST36558	1	Air Cleaner ASM
15	ST31277	1	Blanket-Insulation, Exhaust	33:1	ST39918	1	Cover-Air Cleaner
16	ST38680	1	Valve-Drain, Oil	33:2	ST36559	1	Element-Filter, Air
17	ST36606	1	Hose	33:3	125-6363	1	Cover-Latching
18	2412-36	1	Clamp-Hose	33:4	ST36560	1	Valve-Vacuator
19	ST47445	1	Hose-Intake, Air, Engine				

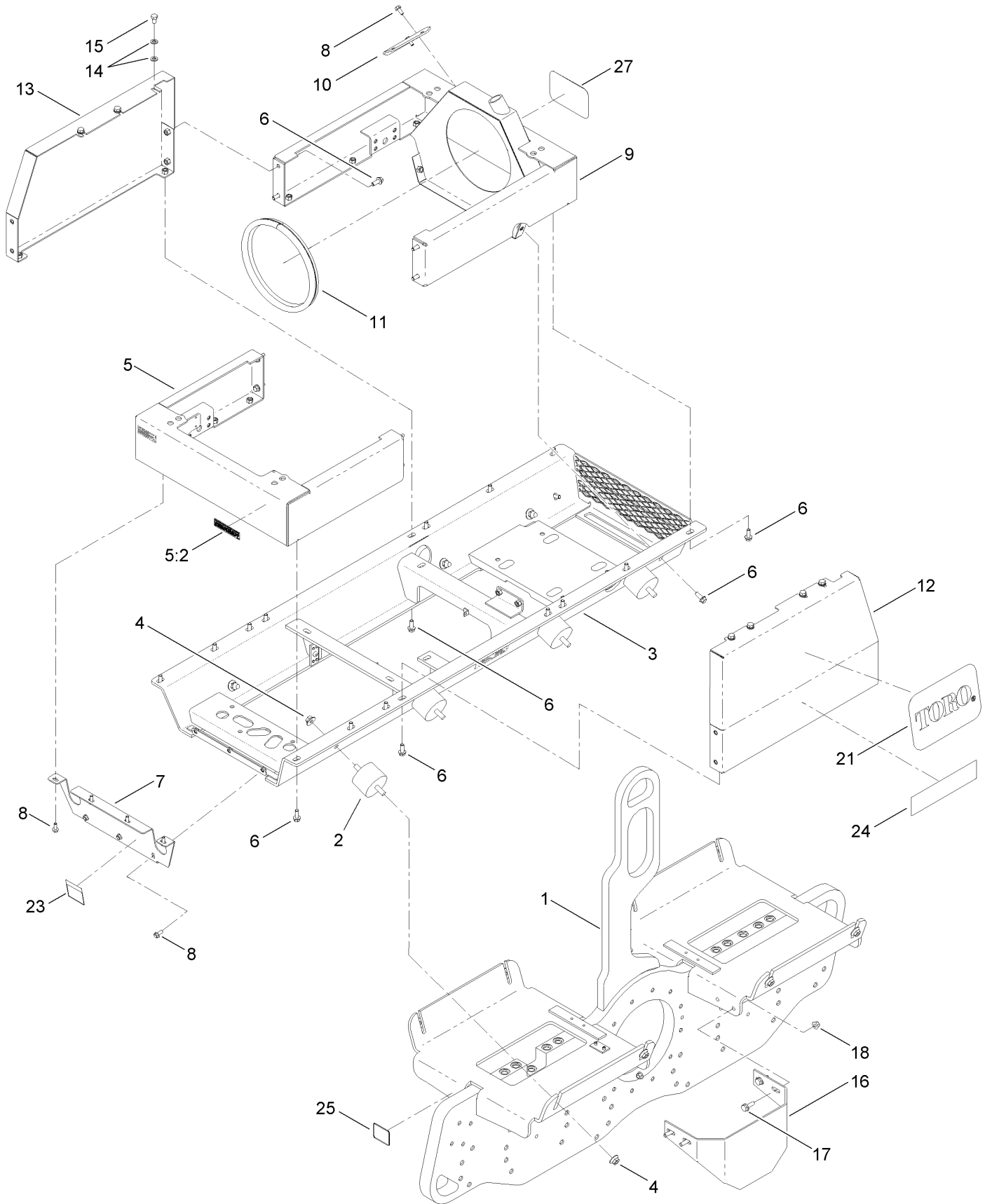
Fuel Tank Assembly



Fuel Tank Assembly (continued)

<i>Ref.</i>	<i>Part Number</i>	<i>Qty.</i>	<i>Description</i>	<i>Ref.</i>	<i>Part Number</i>	<i>Qty.</i>	<i>Description</i>
1	ST39865-03	1	Cell-Fuel Tank	15	33103-016	2	Screw-HHF
2	ST47488	1	Isolator-Lifteye	16	ST36617	2	Clamp
3	ST36434-03	1	Plate-Mounting, HYD Fuel	17	ST47459	1	Hose-Breather
4	33105-020	10	Screw-HHF	18	2412-130	1	Clamp-Hose
5	ST36718	1	Gauge-Fuel	19	ST36778	1	Hose-Fuel, Return
6	ST46108	1	Plug-HH, Magnetic	20	ST35448	1	Clamp
7	ST46009	1	Valve And Strainer ASM	21	125-8591	1	Hose-Fuel
8	ST46365	1	Fitting-HYD, Elbow	22	2412-108	4	Clamp-Worm
9	ST39056	1	Valve-Strainer	23	110-5706	1	Hose-Fuel
10	125-8550-03	1	Shield-Heat	24	33105-030	1	Screw-HHF
11	33105-016	7	Screw-HHF	25	33005-00	5	Nut-HF
12	3234-42	2	Screw-HHF	26	125-8478	1	Decal-Diesel
13	ST36544-03	1	Strap-Separator, Water	27	ST81179	8	Washer-Flat
14	33004-00	2	Nut-HF				

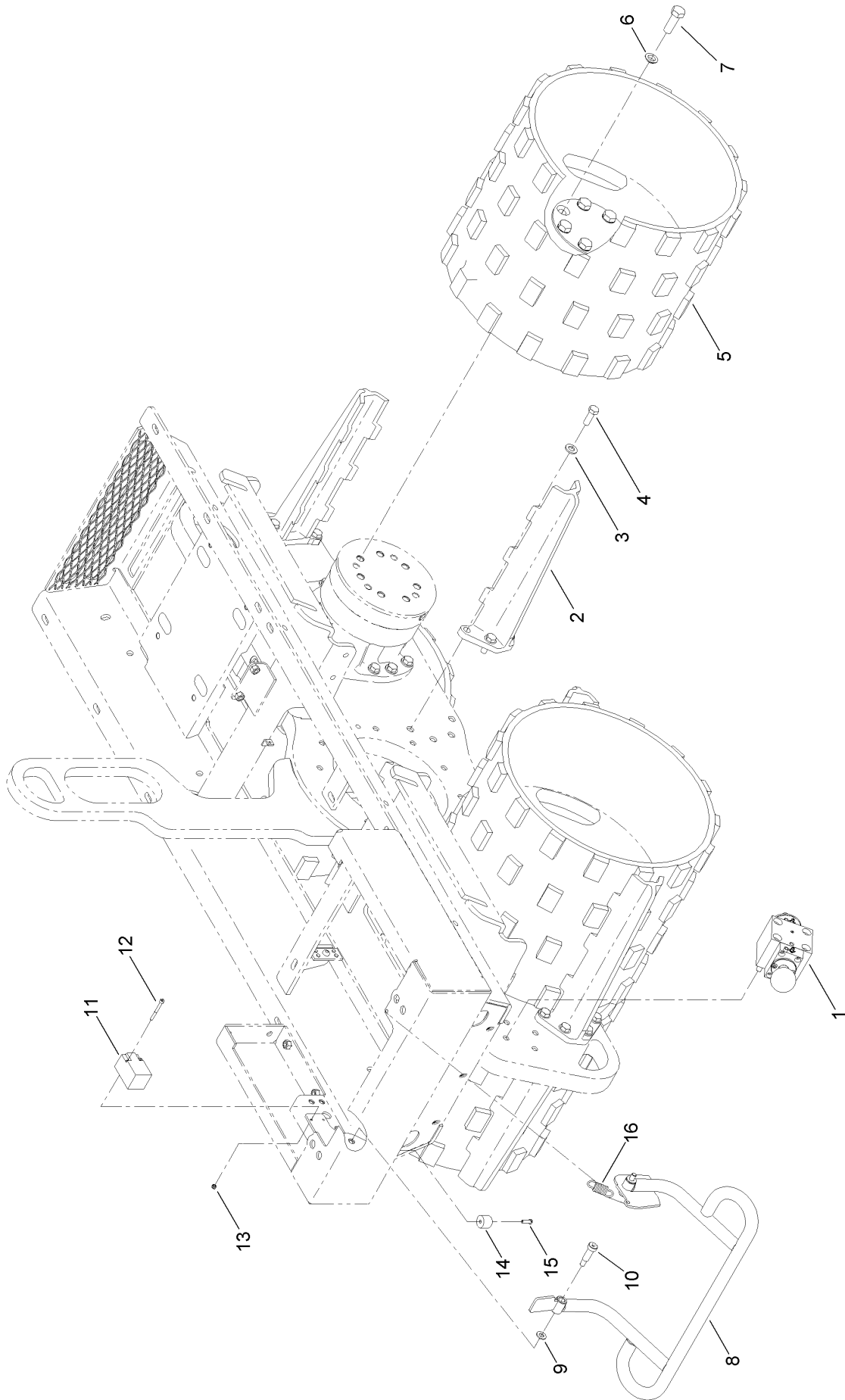
Frame Assembly



Frame Assembly (continued)

<i>Ref.</i>	<i>Part Number</i>	<i>Qty.</i>	<i>Description</i>	<i>Ref.</i>	<i>Part Number</i>	<i>Qty.</i>	<i>Description</i>
1	125-6379	1	Frame-Lower	12	125-8224-03	1	Cover-Right
2	ST47443	8	Mount-Shock, Frame	13	125-8225-03	1	Cover-Left
3	125-8230-03	1	Frame-Upper	14	33095-00	14	Washer-Flat
4	32128-56	16	Nut-HF	15	33115-016	7	Screw-HH
5	127-2870	1	Operator Hood Rail ASM	16	ST57781-03	1	Guard-Motor, Eccentric
5:2	117-2718	1	Decal-Arrester, Spark	17	33105-030	4	Screw-HHF
6	3234-42	26	Screw-HHF	18	33005-00	4	Nut-HF
7	ST39983-03	1	Cover-Frame, Lower (Back)	21	105-4222	2	Decal
8	98-9940	9	Screw	23	125-8189	1	Decal-Parking Brake
9	125-6389-03	1	Rail-Hood, Engine	24	125-8186	2	Decal
10	ST36483-03	1	Bracket-Mounting, Air Filter	25	125-6694	2	Decal-Tie Down
11	ST47454	1	Seal-Inlet, Air	27	99-4693	1	Decal

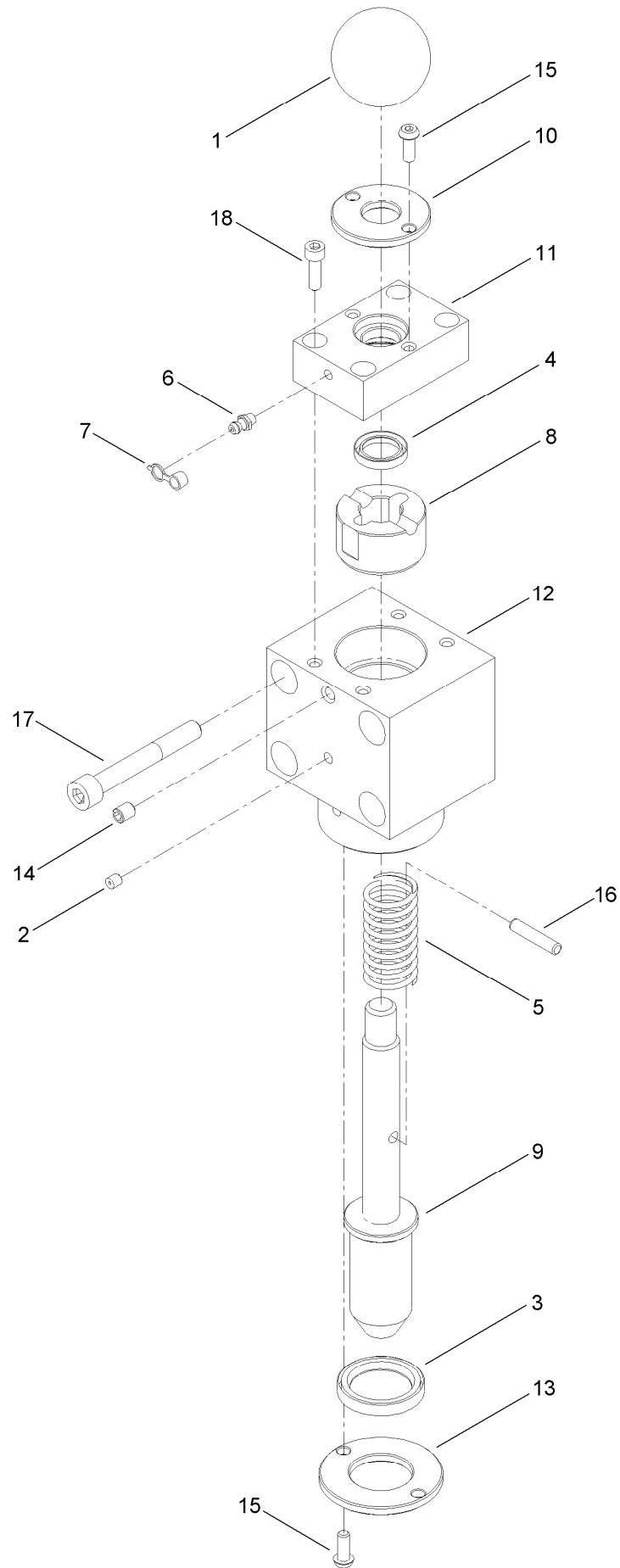
Drum and Scraper Assembly



Drum and Scraper Assembly (continued)

<i>Ref.</i>	<i>Part Number</i>	<i>Qty.</i>	<i>Description</i>	<i>Ref.</i>	<i>Part Number</i>	<i>Qty.</i>	<i>Description</i>
1	ST58161	1	Brake Parking ASM	9	3256-24	2	Washer-Flat
2	ST39833-03	8	Scraper-Drum, Wide	10	ST81153	2	Screw-HSBH
3	33096-00	32	Washer-Flat	11	ST48532	1	Switch-Proximity
4	ST81029	32	Screw-HH	12	ST81178	2	Screw-HSH
5	ST39821	4	Drum-Wide	13	ST80850	2	Nut
6	ST36556	28	Spacer-Drum	14	ST48495	1	Bumper-Bar, Safety
7	ST80976	28	Screw-HH	15	ST80847	1	Screw-HSBH
8	ST37484-03	1	Bar-Safety	16	ST39008	1	Spring-Extension

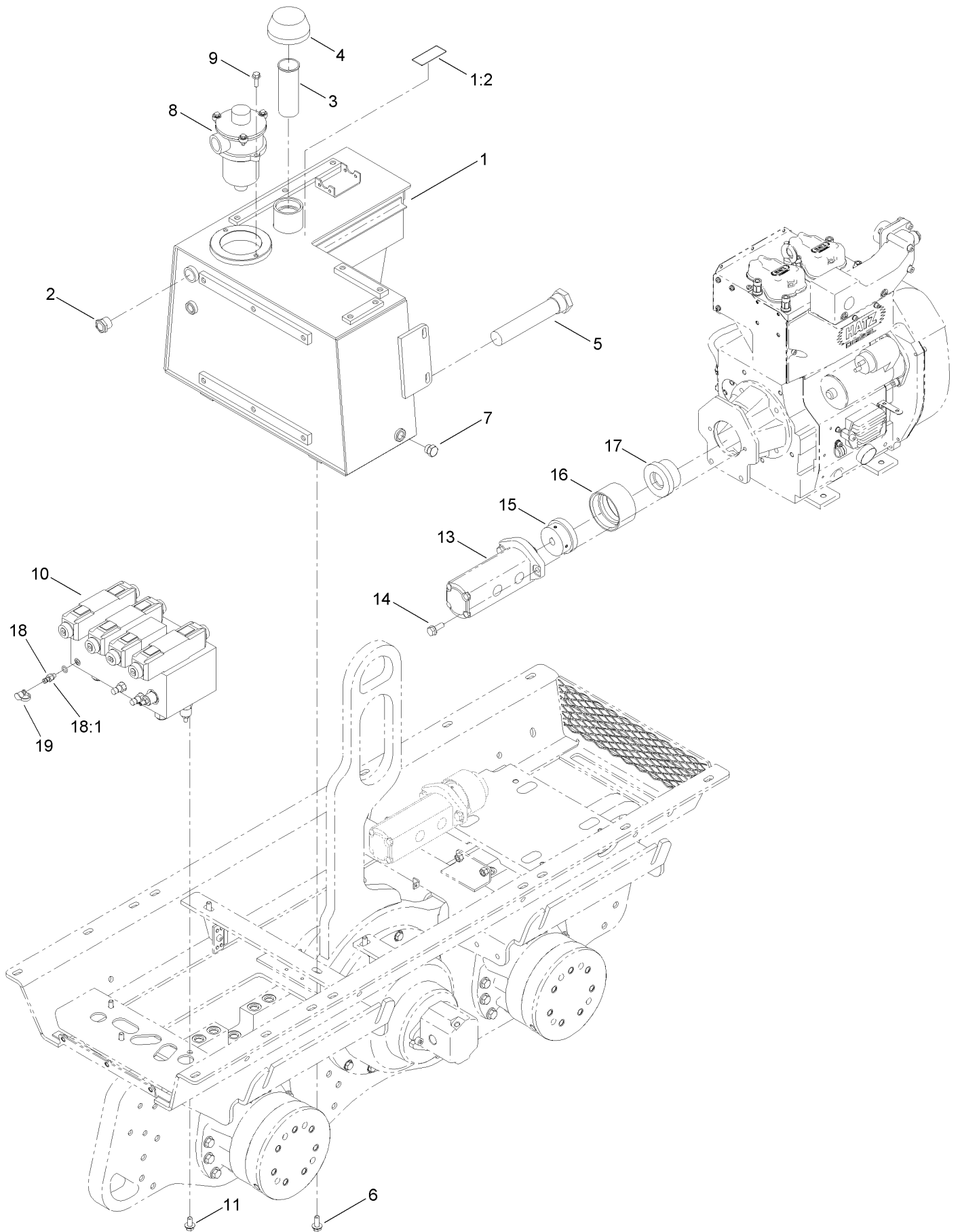
Parking Brake Assembly No. ST58161



Parking Brake Assembly No. ST58161 (continued)

<i>Ref.</i>	<i>Part Number</i>	<i>Qty.</i>	<i>Description</i>	<i>Ref.</i>	<i>Part Number</i>	<i>Qty.</i>	<i>Description</i>
1	ST32687	1	Knob-Ball	11	ST58158	1	Housing-Upper, Brake Parking
2	ST36696	1	Plug	12	ST58159	1	Housing-Lower, Brake Parking
3	ST36697	1	Seal-Lip	13	ST58160	1	Cap-Lower, Brake Parking
4	ST36698	1	Seal-Lip	14	ST80868	1	Screw-HSH, Set
5	ST36699	1	Spring-Compression	15	ST81022	4	Screw-HSBH
6	ST46042	2	Fitting-Grease	16	107-8899	1	Pin-Dowel
7	ST47001	2	Cap-Plug	17	ST81070	4	Screw-HSH
8	ST58155	1	Bushing-Brake, Parking	18	ST81213	4	Screw-HSH
9	ST58156	1	Piston-Brake Parking				
10	ST58157	1	Cap-Upper, Brake Parking				

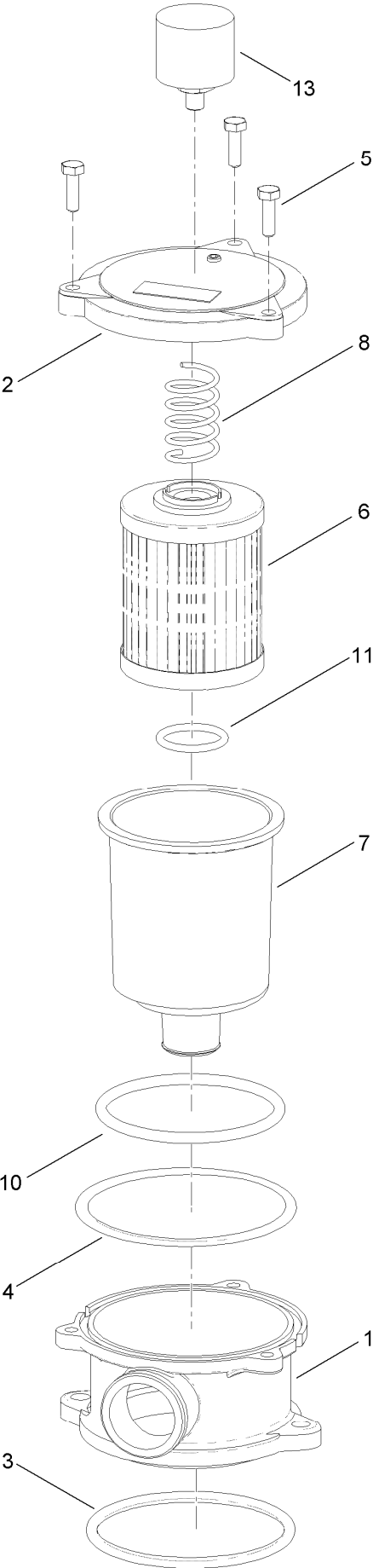
Hydraulic Tank, Manifold and Pump Assembly



Hydraulic Tank, Manifold and Pump Assembly (continued)

<i>Ref.</i>	<i>Part Number</i>	<i>Qty.</i>	<i>Description</i>	<i>Ref.</i>	<i>Part Number</i>	<i>Qty.</i>	<i>Description</i>
1	127-2873	1	HYD Tank ASM	10	ST50269	1	HYD Manifold ASM
1:2	125-4964	1	Decal-Caution, HYD Fluid	11	33105-020	3	Screw-HHF
2	ST38534	1	Glass Sight ASM	13	ST32656	1	HYD Triple Gear Pump ASM
3	ST46951	1	Basket-Strainer	14	33105-030	2	Screw-HHF
4	ST46934	1	Breather-HYD	15	ST30632	1	Coupling
5	ST39088	2	Strainer	16	ST30634	1	Sleeve-Coupling
6	33105-025	4	Screw-HHF	17	ST30633	1	Coupling
7	ST46638	3	Plug	18	354-77	3	Fitting-Quick
8	ST39991	1	Return Filter ASM	18:1	237-78	1	O-Ring
9	33104-025	2	Screw-HHF	19	354-79	3	Cap-Dust

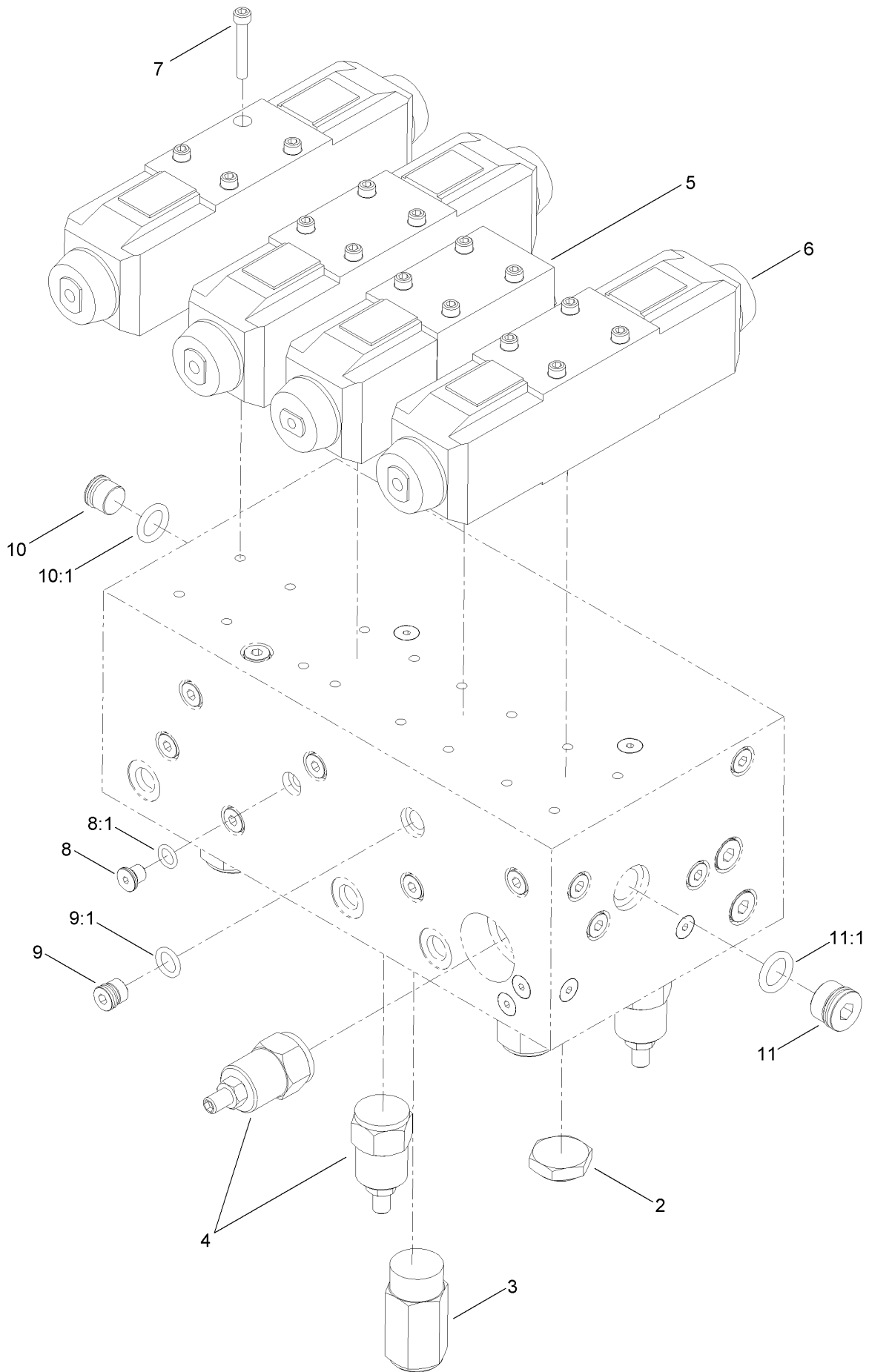
Return Filter Assembly No. ST39991



Return Filter Assembly No. ST39991 (continued)

<i>Ref.</i>	<i>Part Number</i>	<i>Qty.</i>	<i>Description</i>	<i>Ref.</i>	<i>Part Number</i>	<i>Qty.</i>	<i>Description</i>
1	ST39994	1	Housing-Head, Filter	7	ST39995	1	Bowl-Filter
2	ST39992	1	Cover-Filter	8	127-5554	1	Spring-Compression
3	127-5550	1	O-Ring-Filter Head	10	127-5552	1	O-Ring-Filter Bowl
4	127-5551	1	O-Ring-Filter Cover	11	127-5553	1	O-Ring-Filter Element
5	33103-020	3	Screw-HHF	13	ST36987	1	Gauge-Indicator, Filter Clogging
6	ST39993	1	Element-Filter, 10 Micron				

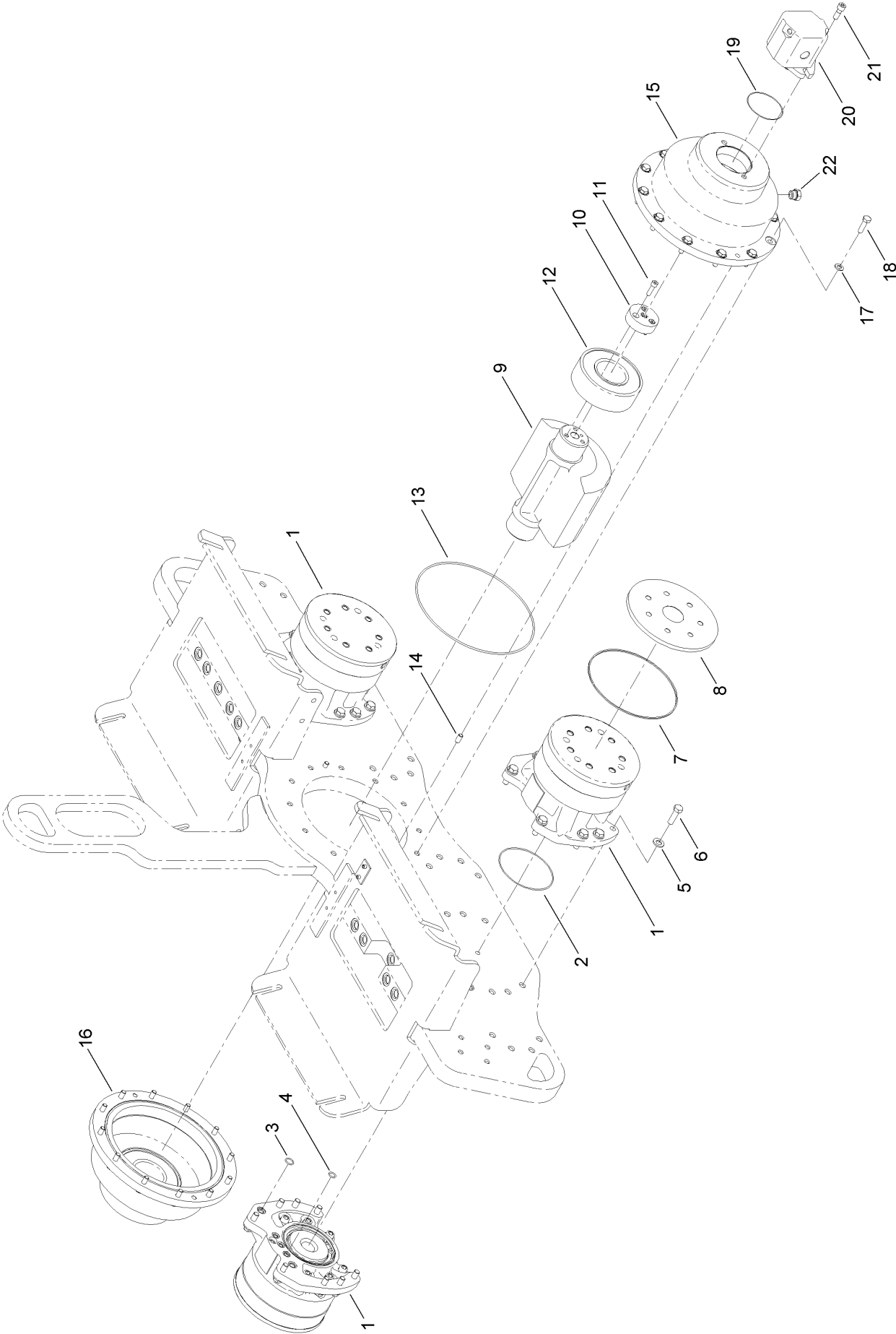
Hydraulic Manifold Assembly No. ST50269



Hydraulic Manifold Assembly No. ST50269 (continued)

<i>Ref.</i>	<i>Part Number</i>	<i>Qty.</i>	<i>Description</i>	<i>Ref.</i>	<i>Part Number</i>	<i>Qty.</i>	<i>Description</i>
2	127-7542	2	Valve-Check	8:1	237-156	1	O-Ring
3	127-7543	3	Valve-Relief	9	106-1025	26	Plug-HYD
4	127-7544	4	Valve-Counterbalance	9:1	237-78	1	O-Ring
5	127-7545	1	Valve-Control, Directional	10	106-1026	4	Plug-HYD
6	127-7546	3	Valve-Control, Directional	10:1	237-42	1	O-Ring
7	3274-13	16	Screw-HSH	11	106-1027	1	Plug-HYD
8	106-1024	10	Plug-Leak, Zero	11:1	237-79	1	O-Ring

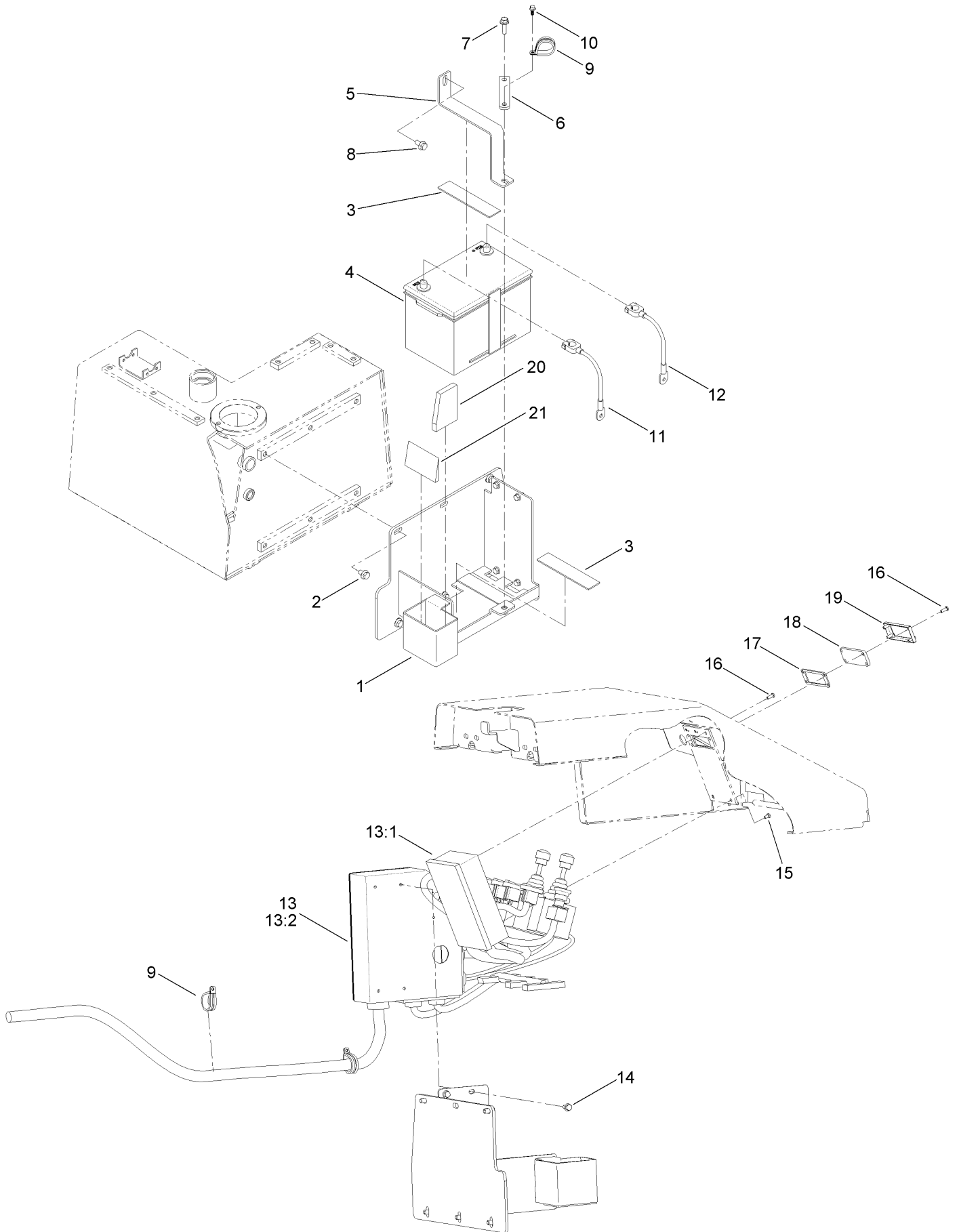
Wheel Motor and Counter Balance Weight Assembly



Wheel Motor and Counter Balance Weight Assembly (continued)

<i>Ref.</i>	<i>Part Number</i>	<i>Qty.</i>	<i>Description</i>	<i>Ref.</i>	<i>Part Number</i>	<i>Qty.</i>	<i>Description</i>
1	ST39871	4	HYD Motor ASM	12	ST32234	2	Bearing-Roller
2	ST47465	4	O-Ring	13	ST39872	2	O-Ring
3	ST32299	8	O-Ring	14	ST81001	4	Pin
4	ST47463	12	O-Ring	15	ST57777	1	Cap-Motor, Eccentric
5	33096-00	32	Washer-Flat	16	ST57776	1	Cap-End, Eccentric
6	ST81030	32	Screw-HH	17	33095-00	24	Washer-Flat
7	ST47467	4	Seal-Lip, Blue	18	ST81027	24	Screw-HH
8	ST47466	4	Cover-Protector	19	ST47301	1	O-Ring
9	ST57775	1	Weight-Counter, Eccentric	20	ST58875	1	HYD Gear Motor ASM
10	ST29266	1	Shaft-Extension, Eccentric	21	ST80872	2	Screw-HSH
11	ST80711	3	Screw-HSH	22	ST46638	3	Plug

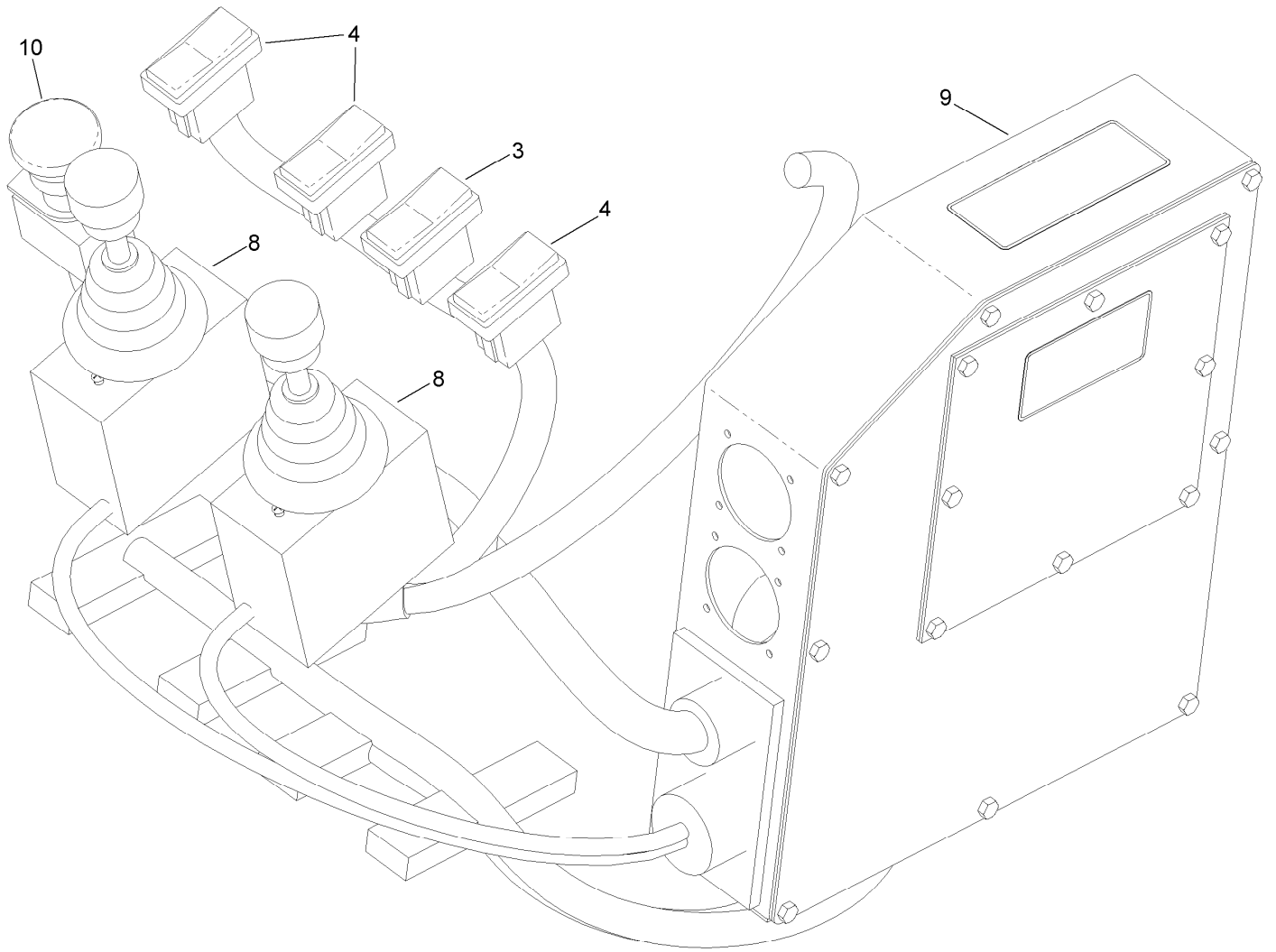
Battery and Control System Assembly



Battery and Control System Assembly (continued)

<i>Ref.</i>	<i>Part Number</i>	<i>Qty.</i>	<i>Description</i>	<i>Ref.</i>	<i>Part Number</i>	<i>Qty.</i>	<i>Description</i>
1	125-8231-03	1	Panel-Electrical	13	ST23600	1	Control System Kit
2	33105-016	5	Screw-HHF	13:1	ST48554	1	Box-Control Ignition, Electronic
3	ST47244	4	Rubber	13:2	ST48556	1	Junction Box ASM
4	127-7507	1	Battery-775Cca, 12V Agm	14	33104-016	4	Screw-HHF
5	ST57908-03	1	Strap-Battery	15	42-9430	2	Screw-HH
6	125-8595-03	1	Bracket-Wire Harness	16	ST81022	7	Screw-HSBH
7	119-4061	1	Screw-HHF	17	ST36515	1	Gasket-Cover
8	33105-020	1	Screw-HHF	18	ST36514	1	Cover
9	ST36630	3	Clamp	19	ST36627	1	Cover-Lens
10	99-6810	1	Screw-HHF	20	ST36613	2	Pad-Foam
11	ST48491	1	Cable-Battery, Black	21	ST36614	2	Pad-Foam
12	ST48492	1	Cable-Battery, Red				

Junction Box Assembly No. ST48556

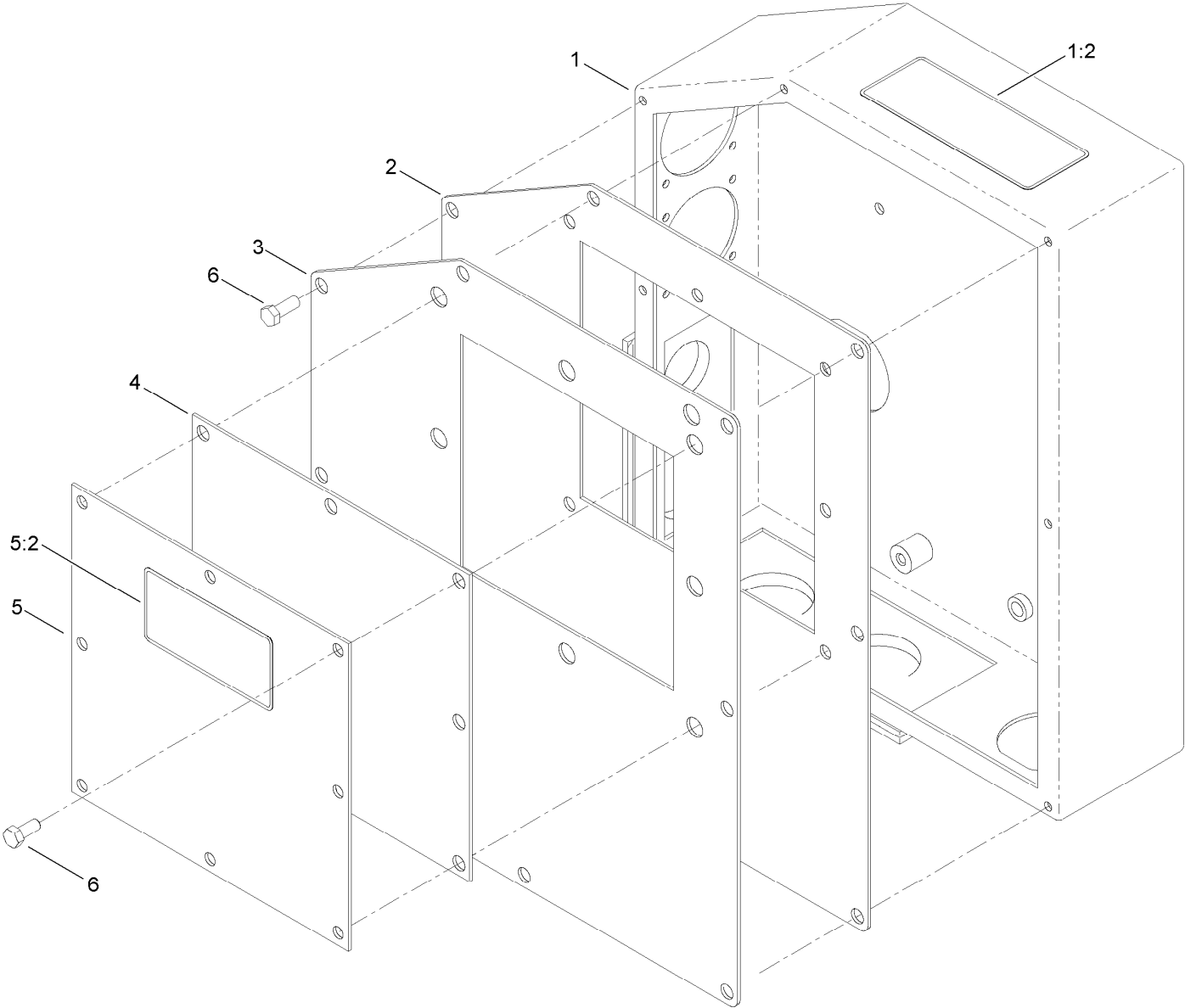


Junction Box Assembly No. ST48556 (continued)

<i>Ref.</i>	<i>Part Number</i>	<i>Qty.</i>	<i>Description</i>	<i>Ref.</i>	<i>Part Number</i>	<i>Qty.</i>	<i>Description</i>
1	ST37076	1	Fuse-10 Amp ●	6	ST48526	1	Fuse-1 Amp ●
2	ST48378	1	Relay ●	7	ST48533	1	Cable-Switch, Proximity ●
3	ST48439	1	Switch-Rocker, 3 Position	8	ST48557	2	Controller-Joystick
4	ST48440	3	Switch-Rocker, 2 Position	9	ST48558	1	Box-Junction, Electric
5	ST48524	1	Fuse-30 Amp ●	10	ST48562	7	Cable Valve ASM

● Not illustrated

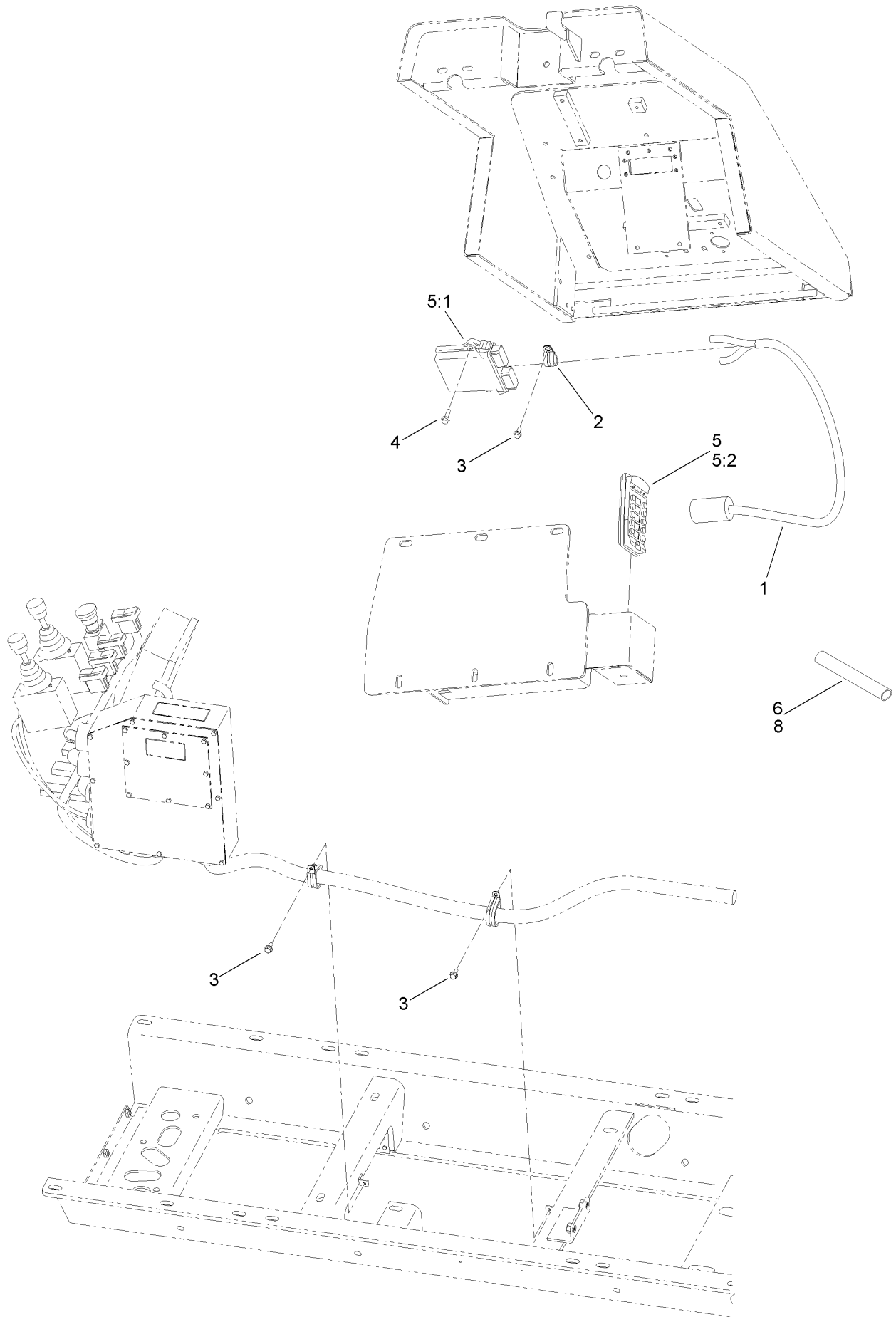
Electric Junction Box Assembly No. ST48558



Electric Junction Box Assembly No. ST48558 (continued)

<i>Ref.</i>	<i>Part Number</i>	<i>Qty.</i>	<i>Description</i>	<i>Ref.</i>	<i>Part Number</i>	<i>Qty.</i>	<i>Description</i>
1	127-2875	1	Electric Junction Box	5	127-2874	1	Auxillary Electric Cover ASM
1:2	125-8187	1	Decal-Caution, Electronics	5:2	125-8188	1	Decal-Caution, Fuse Replacement
2	ST48455	1	Gasket-Box, Junction (Main)	6	ST81037	16	Screw-HH
3	ST48454	1	Cover-Box, Junction (Main)				
4	ST48457	1	Gasket-Box, Junction (Auxillary)				

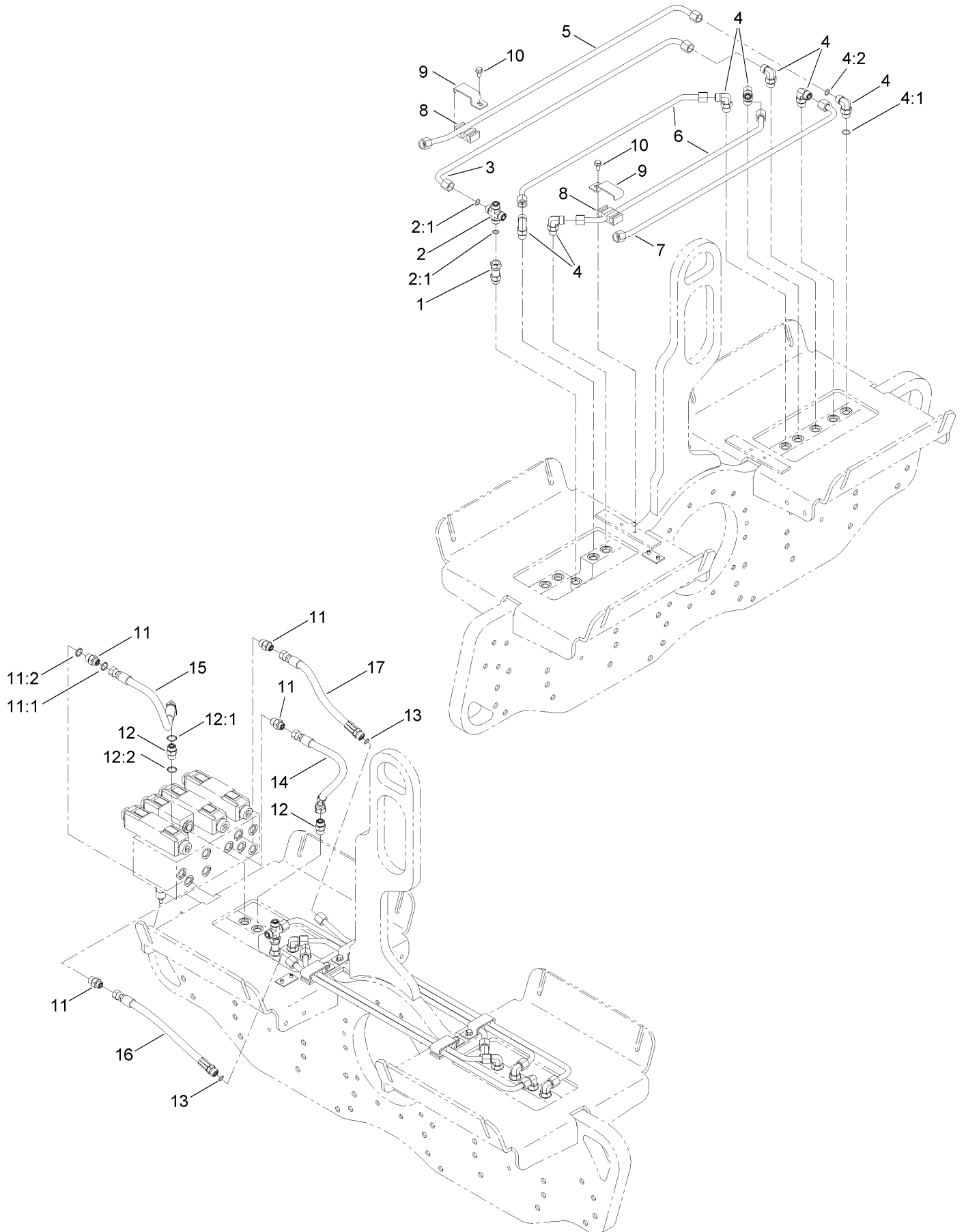
Radio and Cable Assembly



Radio and Cable Assembly (continued)

<i>Ref.</i>	<i>Part Number</i>	<i>Qty.</i>	<i>Description</i>	<i>Ref.</i>	<i>Part Number</i>	<i>Qty.</i>	<i>Description</i>
1	ST48560	1	Cable ASM	5:1	ST48553	1	Receiver-Bulldog
2	ST35448	1	Clamp	5:2	ST48598	1	Transmitter
3	33103-016	3	Screw-HHF	6	ST47596	2	Tubing-Shrink, Heat
4	33103-025	2	Screw-HHF	8	ST47598	1	Tubing-Shrink, Heat
5	ST23672	1	Omnex Radio Kit				

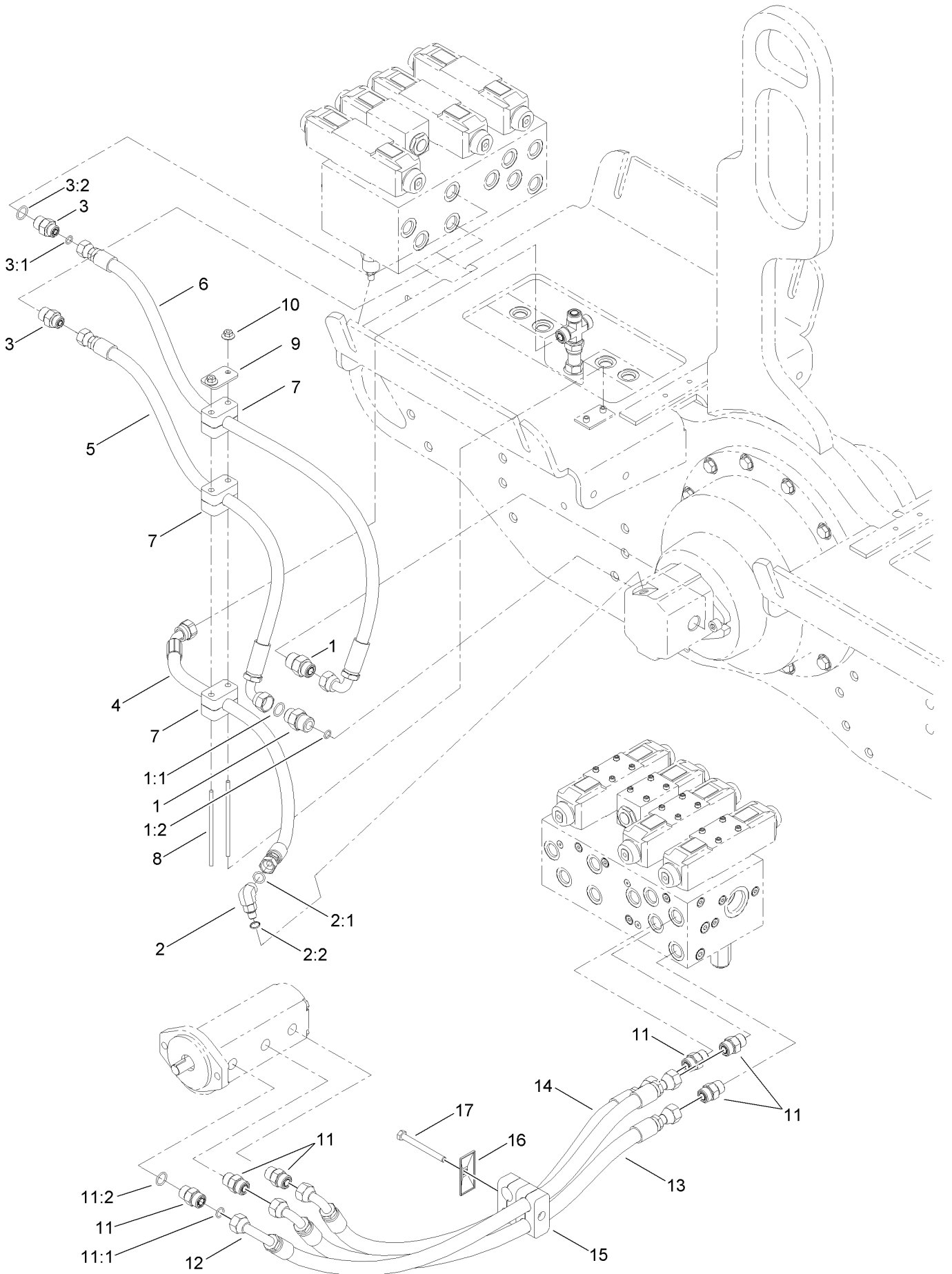
Hydraulic Routing Assembly Main Frame



Hydraulic Routing Assembly Main Frame (continued)

<i>Ref.</i>	<i>Part Number</i>	<i>Qty.</i>	<i>Description</i>	<i>Ref.</i>	<i>Part Number</i>	<i>Qty.</i>	<i>Description</i>
1	ST46912	1	Fitting-HYD	10	33104-016	4	Screw-HHF
2	100-7670	1	Adapter-HYD	11	340-3	4	Adapter
2:1	237-30	4	O-Ring	11:1	237-22	1	O-Ring
3	125-8577	1	HYD Tube ASM	11:2	237-79	1	O-Ring
4	340-98	7	Fitting-HYD, 90 DEG	12	340-4	2	Fitting-HYD, Straight
4:1	237-79	1	O-Ring	12:1	237-30	1	O-Ring
4:2	237-30	1	O-Ring	12:2	237-79	1	O-Ring
5	125-8576	1	HYD Tube ASM	13	237-30	2	O-Ring
6	125-8578	2	HYD Tube ASM	14	127-7498	1	Hose-ASM
7	125-8579	1	HYD Tube ASM	15	127-7499	1	Hose-ASM
8	ST36493	4	Tube-Captivator	16	127-7500	1	Hose-ASM
9	ST36484	4	Bracket-Captivator, HYD	17	127-7501	1	Hose-ASM

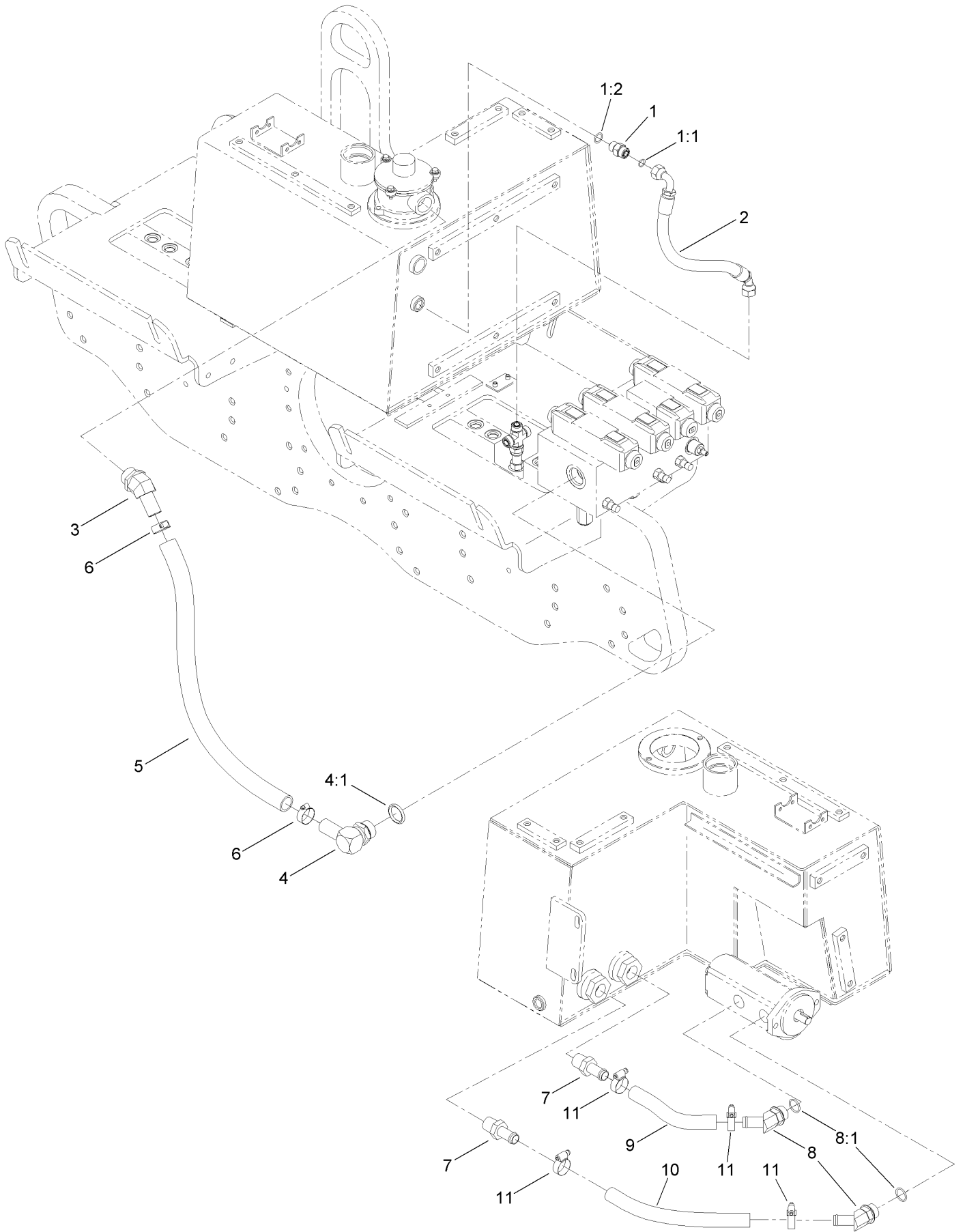
Hydraulic Routing Assembly Wheel Motor and Manifold



Hydraulic Routing Assembly Wheel Motor and Manifold (continued)

<i>Ref.</i>	<i>Part Number</i>	<i>Qty.</i>	<i>Description</i>	<i>Ref.</i>	<i>Part Number</i>	<i>Qty.</i>	<i>Description</i>
1	340-6	2	Fitting-HYD, Straight	8	ST36591	2	Rod-Threaded
1:1	237-30	1	O-Ring	9	ST47452	1	Cover-Plate
1:2	237-80	1	O-Ring	10	116-8218	2	Nut-Hex Flange
2	340-97	1	Fitting-HYD, 90 DEG	11	340-4	6	Fitting-HYD, Straight
2:1	237-22	1	O-Ring	11:1	237-30	1	O-Ring
2:2	237-78	1	O-Ring	11:2	237-79	1	O-Ring
3	340-3	2	Adapter	12	127-7502	1	Hose-ASM
3:1	237-22	1	O-Ring	13	127-7485	1	Hose-ASM
3:2	237-79	1	O-Ring	14	127-7484	1	Hose-ASM
4	127-7483	1	Hose-ASM	15	127-7523	2	Clamp-Hose, Dual Hose
5	127-7486	1	Hose-ASM	16	ST47456	1	Cover-Plate, Dual Hose
6	127-7481	1	Hose-ASM	17	322-20	1	Screw-HH
7	127-7522	3	Clamp-Hose				

Hydraulic Routing Assembly Tank Assembly



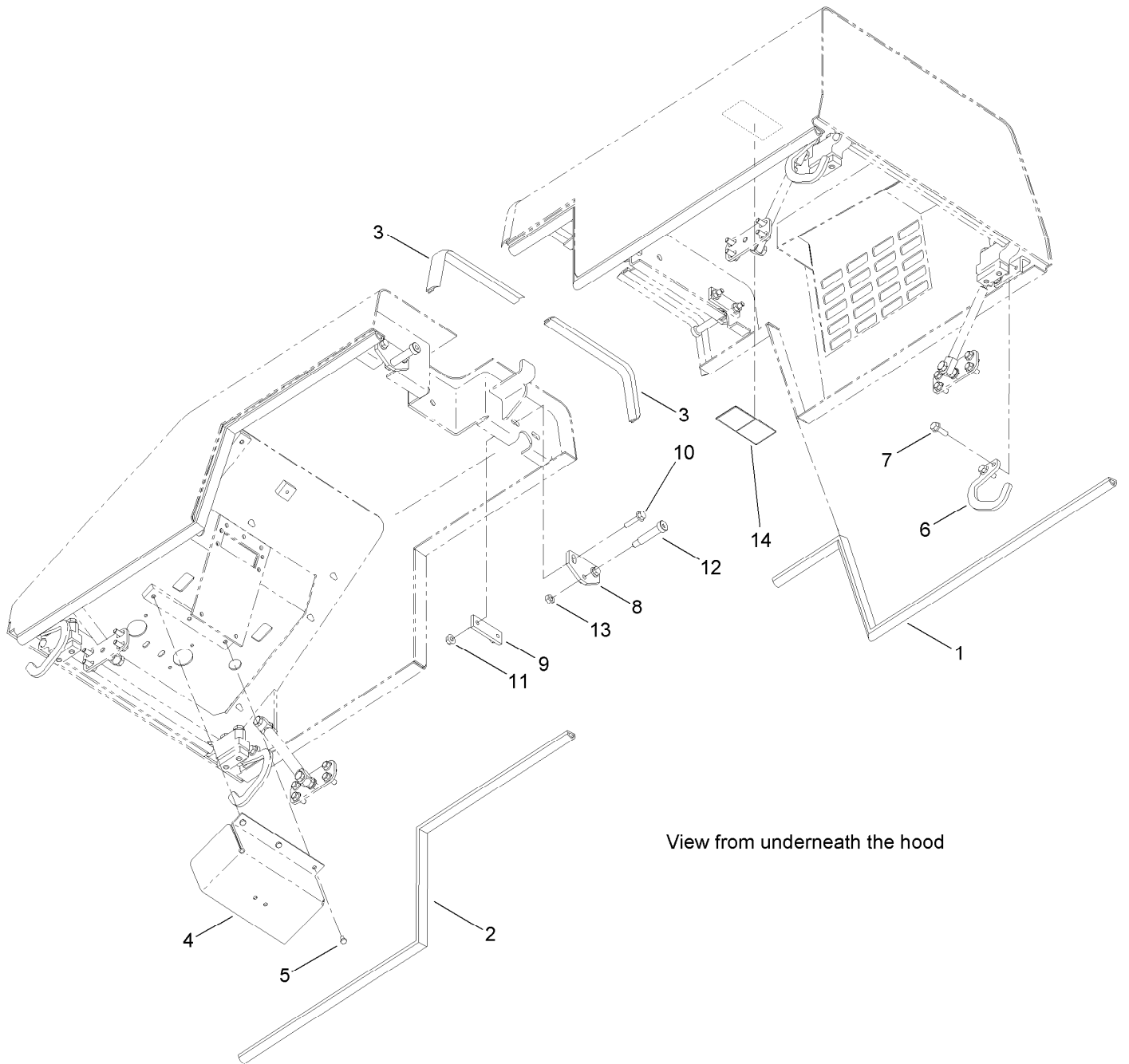
Hydraulic Routing Assembly Tank Assembly (continued)

<i>Ref.</i>	<i>Part Number</i>	<i>Qty.</i>	<i>Description</i>	<i>Ref.</i>	<i>Part Number</i>	<i>Qty.</i>	<i>Description</i>
1	340-4	1	Fitting-HYD, Straight	6	2412-34	2	Clamp-Hose
1:1	237-30	1	O-Ring	7	ST46518	2	Fitting-HYD
1:2	237-79	1	O-Ring	8	354-127	2	Elbow-45 DEG
2	127-7482	1	Hose-ASM	8:1	237-81	1	O-Ring
3	ST46976	1	Elbow-45 DEG	9	127-7479	1	Hose
4	23-8910	1	Stem-Barb, 90 DEG	10	127-7480	1	Hose
4:1	237-146	1	O-Ring	11	2412-129	4	Clamp-Hose
5	127-7503	1	Hose				

Hood Assembly (continued)

<i>Ref.</i>	<i>Part Number</i>	<i>Qty.</i>	<i>Description</i>	<i>Ref.</i>	<i>Part Number</i>	<i>Qty.</i>	<i>Description</i>
1	127-2872	1	Hood-Engine	14	33015-00	8	Nut-Hex
2	127-2871	1	Hood-Operator	15	33095-00	12	Washer-Flat
3	ST39897	4	Block-Hinge, Hood	16	ST39378	4	Latch-Clip, Hood
4	33105-060	8	Screw-HHF	17	33103-045	8	Screw-HHF
5	ST36625	4	Plate-Hinge, Nut	18	33003-00	8	Nut-HF
6	ST46042	4	Fitting-Grease	19	ST57608	1	Lock, T-Handle
7	ST47001	4	Cap-Plug	20	ST81033	4	Screw-HSBH
8	ST37489	4	Plate-Mounting, Gas Spring	21	ST80850	4	Nut
9	98-9940	16	Screw	22	ST81187	7	Clip-Arrow, Nylon
10	ST37492	2	Spring-Gas	23	125-4967	1	Decal-Lift Here
11	ST37493	2	Spring-Gas	24	127-1656	1	Decal-Readout, Ignition
12	ST37483	8	Rod-End, Gas Spring	25	127-1660	1	Decal-Console
13	33115-040	8	Screw-HH				

Hood Latch and Wear Strip Assembly



View from underneath the hood

Hood Latch and Wear Strip Assembly (continued)

<i>Ref.</i>	<i>Part Number</i>	<i>Qty.</i>	<i>Description</i>	<i>Ref.</i>	<i>Part Number</i>	<i>Qty.</i>	<i>Description</i>
1	ST47446	2	Strip-Wear	8	ST36595	4	Plate
2	ST47447	2	Strip-Wear	9	ST36451	4	Plate-Backing, Lock
3	ST36616	4	Gasket-Gripping, Self	10	33104-035	8	Screw-HHF
4	ST50349-01	1	Cover-Switch, Control	11	33004-00	8	Nut-HF
5	42-9430	3	Screw-HH	12	ST81031	4	Screw-HSBH, Shoulder
6	ST36521	4	Bracket-Hood, Stop	13	3217-7	4	Nut-Hex
7	33104-025	8	Screw-HHF	14	125-4963	1	Decal-Hot Surface

Attachments and Accessories

For 68039 TR-34D Trench Roller

Product Name	Model/Part
24in Narrow Drum Conversion Kit.....	68069
Control Cover Kit	68070

Notes:

Notes:

Notes:



Count on it.