



MODEL NO. 30555-40001  
thru 80001 & UP

OPERATOR'S  
MANUAL

**52" SIDE DISCHARGE CUTTING DECK**  
FOR GROUNDMASTER 200 SERIES TRACTION UNITS

To assure maximum safety, optimum performance, and to gain knowledge of the product, it is essential that you or any other operator of the machine read and understand the contents of this manual before the engine is ever started. Pay particular attention to the **SAFETY INSTRUCTIONS** highlighted by this symbol —



The safety alert symbol means **CAUTION, WARNING** or **DANGER** — personal safety instruction. Failure to comply with the instruction may result in personal injury.



The Groundmaster 200 Series Traction unit with a 52" Side Discharge Deck conforms to the American National Standards Institute's safety standards for Riding Mowers when weights are installed according to chart on page 10.



# FOREWORD

The 52" cutting deck has advanced concepts in engineering, design and safety; and if maintained properly, will give excellent service.

Since this is a high-quality product, Toro is concerned about the future use of the machine and safety of the user. Therefore, read this manual to familiarize yourself with proper set-up, operation and maintenance instructions. The major sections of the manual are:

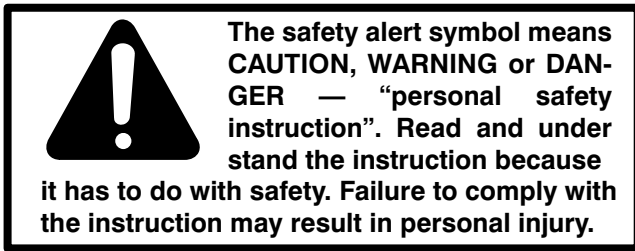
- |                        |                     |                |
|------------------------|---------------------|----------------|
| 1. Safety Instructions | 3. Before Operating | 5. Maintenance |
| 2. Set-up Instructions | 4. Lubrication      |                |

Certain information in this manual is emphasized. DANGER, WARNING and CAUTION identify personal safety related information. IMPORTANT identifies mechanical information demanding special attention. Be sure to read this directive because it deals with the possibility of damaging a part or parts of the machine. NOTE identifies general information worthy of special attention.

## TABLE OF CONTENTS

	Page		Page
<b>SAFETY INSTRUCTIONS</b> .....	3-4	<b>LUBRICATION</b> .....	13
<b>SAFETY AND INSTRUCTION DECALS</b> .....	5	Grease Bearings And Bushings .....	13
<b>SPECIFICATIONS</b> .....	6	<b>MAINTENANCE</b> .....	14-19
<b>LOOSE PARTS</b> .....	6	Trouble Shooting .....	14
<b>SET-UP INSTRUCTIONS</b> .....	7-11	Separating Cutting Unit From Traction Unit ...	15
Install Lift Arms .....	7	Servicing Bushings in Castor Arms .....	15
Install Carrier Frame .....	7	Servicing Castor Wheel and Bearing .....	16
Install Cutting Unit .....	8	Checking for Bent Blade .....	16
Install Weight Transfer Kit .....	8	Replacing Cutter Blade .....	16
Install Rear Weight .....	10	Checking Sail and Sharpening Cutter Blade .	17
<b>BEFORE OPERATING</b> .....	11	Correcting Cutting Unit Mismatch .....	17
Adjusting Height-of-Cut .....	11	Replacing Grass Deflector .....	18
Adjusting Rollers .....	11	Adjusting Idler Pulley .....	19
Check Lubricant In Gear Box .....	11	Replacing Drive Belt .....	19
<b>OPERATING INSTRUCTIONS</b> .....	12	<b>IDENTIFICATION AND ORDERING</b> .....	20
Grass Deflector .....	12	<b>MAINTENANCE CHART</b> .....	21-23
Tension Spring Adjustment .....	12	<b>THE TORO PROMISE</b> .....	Back Cover

# SAFETY INSTRUCTIONS



The cutting unit has been tested and certified for compliance with the B71.4–1990 specifications of the American National Standards Institute. Although hazard control and accident prevention partially are dependent upon the design and configuration of the machine, these factors are also dependent upon awareness, concern, and proper training of the personnel involved in the operation, transport, maintenance, and storage of the machine. Improper use or maintenance of the machine can result in injury or death. To reduce the potential for injury or death, comply with the following safety instructions.

## BEFORE OPERATING

1. Read and understand the contents of this Operator’s Manual before operating the machine. Become familiar with all controls and know how to stop quickly. A free replacement manual is available by sending complete Model and Serial Number to:

The Toro Company  
8111 Lyndale Avenue South  
Bloomington, Minnesota 55420–1196

2. Never allow children to operate the machine. Do not allow adults to operate machine without proper instruction. Only trained operators who have read this manual should operate this machine.

3. Never operate the machine when under the influence of drugs or alcohol.

4. Remove all debris or other objects that might be picked up and thrown by the cutter blades. Keep all bystanders away from the mowing area.

5. Keep all shields and safety devices in place. If a shield, safety device or decal is illegible or damaged, repair or replace it before operation is commenced. Also tighten any loose nuts, bolts and screws to assure machine is in safe operating condition.

6. Do not operate machine while wearing sandals, tennis shoes, sneakers or shorts. Also, do not wear loose fitting clothing which could get caught in moving parts. Always wear long pants and substantial shoes. Wearing safety glasses, safety shoes and a helmet is advisable and required by some local ordinances and insurance regulations.

7. Check interlock switches daily for proper operation (Refer To Section in Traction Unit Operator’s Manual on Checking Interlock Switches). Do not rely entirely on safety switches -shut off engine before getting off seat. If a switch fails, replace it before operating the machine. The interlock system is for your protection, so do not bypass it. Replace all interlock switches every two years. Interlock switches should be adjusted so:

- A. Engine cannot be started unless traction pedal is released (neutral position) and PTO lever is DISENGAGED (off position).
- B. Engine stops if operator gets off seat when traction pedal is depressed.
- C. Engine stops if operator gets off seat when PTO lever is ENGAGED (on position).

8. Fill fuel tank before starting the engine. Avoid spilling fuel. Since fuel is flammable, handle it carefully.

- A. Use an approved fuel container.
- B. Do not fill tank while engine is hot or running.
- C. Do not smoke while handling fuel.
- D. Fill fuel tank outdoors and up to about one inch (25 mm) from top of the tank, not the filler neck.
- E. Wipe up any spilled fuel.

## WHILE OPERATING

9. Do not run the engine in a confined area without adequate ventilation. Exhaust fumes are hazardous and could possibly be deadly.

10. Maximum seating capacity is one person. Never carry passengers.

11. Sit on the seat when starting the engine and operating the machine.

12. Before starting the engine:

- A. Engage parking brake.
- B. Ensure traction pedal is in neutral and PTO is in the OFF, disengaged position.
- C. After engine is started, release parking brake and keep foot off traction pedal. Machine must not move. If movement is evident, the neutral return mechanism is adjusted incorrectly; therefore, shut engine off and adjust until machine does not move when traction pedal is released.

13. Using the machine demands attention, and to prevent loss of control:

- A. Mow only in daylight or when there is good artificial light.
- B. Watch for holes or other hidden hazards.
- C. Do not drive close to a sand trap, ditch, creek or other hazard.
- D. Reduce speed when making sharp turns and when turning on hillsides.
- E. Avoid sudden starts and stops.

# SAFETY INSTRUCTIONS

- F. Before backing up, look to the rear and assure no one is behind the machine.
- G. Watch out for traffic when near or crossing roads. Always yield the right-of-way.
- H. The cutting deck must be lowered when going down slopes for steering control.

**14.** The grass deflector must always be installed and in lowest position on the side discharge cutting unit. Never operate mower without deflector or entire grass collector. This product is designed to drive objects into the ground where they lose energy quickly in grassy areas. **However, don't take an injury risk!!** When a person or pet appears unexpectedly in or near the mowing area, **STOP MOWING**. Careless operation, combined with terrain angles, ricochets, or improperly positioned guards, can lead to thrown object injuries. Do not resume mowing until area is cleared. If the cutting unit discharge area ever plugs, shut engine off before removing the obstruction.

**15.** Never raise the cutting unit while the blades are rotating.

**16.** If the cutting blades strike a solid object or the machine vibrates abnormally, shut the engine off. Remove spark plug wire from spark plug to prevent possibility of accidental starting. Check cutting unit and traction unit for damage and malfunctioning parts. Repair any damage before restarting the engine and operating the cutting unit. Be sure blades are in good condition and blade bolts are tight.

**17.** Cut grass slopes carefully. Do not start, stop, or turn suddenly.

**18.** Do not touch engine or muffler while engine is running or soon after it is stopped. These areas could be hot enough to cause a burn.

**19.** Before getting off the seat:

- A. Move traction pedal to neutral position and remove foot from pedal.
- B. Set the parking brake and disengage the PTO.
- C. Shut the engine off and remove the key from the ignition switch. Wait for all movement to stop before getting off the seat.

**20.** Lower the cutting unit to the ground and remove key from ignition switch whenever machine is left unattended.

## MAINTENANCE

**21.** Remove key from ignition switch to prevent accidental starting of the engine when servicing, adjusting or storing the machine.

**22.** Perform only those maintenance instructions described in this manual. If major repairs are ever needed or assistance is desired, contact an Authorized TORO Distributor.

**23.** To reduce potential fire hazard, keep the engine free of excessive grease, grass, leaves and accumulations of dirt.

**24.** Be sure machine is in safe operating condition by keeping nuts, bolts and screws tight. Check the blade mounting bolts and nuts frequently to be sure they are tightened to specification.

**25.** Make sure all hydraulic line connectors are tight, and all hydraulic hoses and lines are in good condition before applying pressure to the system.

**26.** Keep body and hands away from pin hole leaks in hydraulic lines that eject high pressure hydraulic fluid. Use cardboard or paper to find hydraulic leaks. Hydraulic fluid escaping under pressure can penetrate skin and cause injury. Fluid accidentally injected into the skin must be surgically removed within a few hours by a doctor familiar with this form of injury or gangrene may result.

**27.** Before disconnecting or performing any work on the hydraulic system, all pressure in system must be relieved by stopping engine and lowering cutting unit to the ground.

**28.** If the engine must be running to perform a maintenance adjustment, keep hands, feet, clothing and other parts of the body away from the cutting unit blades and other moving parts.

**29.** Do not overspeed the engine by changing governor settings. To be sure of safety and accuracy, have an Authorized TORO Distributor check maximum engine speed with a tachometer.

**30.** Engine must be shut off before checking oil or adding oil to the crankcase.

**31.** Allow engine to cool before storing mower in any enclosure such as a garage or storage shed. Make sure the mower fuel tank is empty if machine is to be stored in excess of 30 days. Do not store mower near any open flame or where gasoline fumes may be ignited by a spark. Always store gasoline in a safety-approved, red metal container.

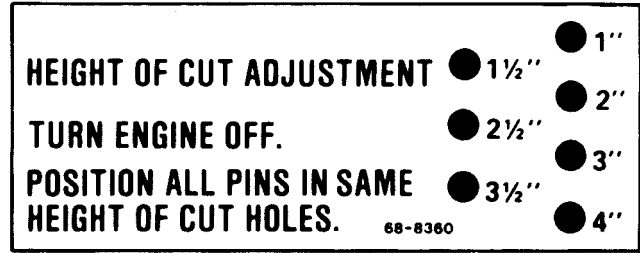
**32.** To ensure optimum performance and safety, always purchase genuine TORO replacement parts and accessories to keep the Toro all TORO. NEVER USE "WILL-FIT" REPLACEMENT PARTS AND ACCESSORIES MADE BY OTHER MANUFACTURERS. Look for the TORO logo to assure genuineness. Using unapproved replacement parts and accessories could void the warranty of The Toro Company.

# SAFETY AND INSTRUCTION DECALS

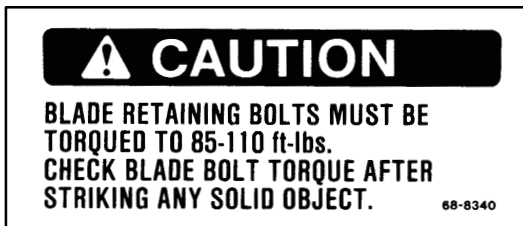
The following decals are installed on the machine. If any become damaged or illegible, replace it. The decal part number is listed below and in your parts catalog. Replacement can be ordered from your Authorized Toro Distributor.



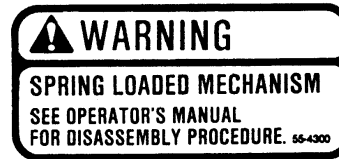
ON BOTH SIDES OF CUTTING UNIT  
(Part No. 66-1340)



ON LEFT SIDE OF CARRIER FRAME  
(Part No. 68-8360)



ON LEFT SIDE OF CUTTING UNIT  
(Part No. 68-8340)



ON SPRING COVERS  
(Part No. 55-4300)



ON DEFLECTOR  
(Part No. 54-9220)



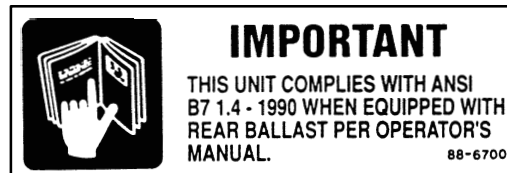
ON LEFT AND CENTER OF DECK, UNDER SHIELDS  
(Part No. 67-5360)



UNDER DEFLECTOR  
(Part No. 66-6380)



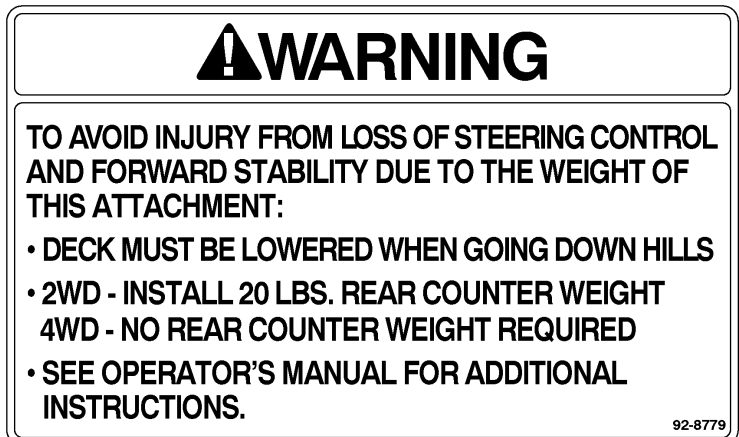
ON GEAR BOX BRACKET  
(Part No. 70-2560)



ON REAR CENTER OF CUTTING UNIT  
(Part No. 88-6700)



ON LEFT SIDE OF CUTTING UNIT  
(Part No. 43-8480)



ON LEFT SIDE OF CUTTING UNIT  
(Part No. 92-8779)

# SPECIFICATIONS

**Width of Cut:** 51–3/4 in. (1.82 m).

**Height of Cut:** Adjustable from 1” to 4” (25 to 102 mm) in 1/2” (13 mm) increments.

**Blade Tip Speed:** 15,764 ft/min. @ 3300 engine rpm.  
15,525 ft/min. @ 3250 engine rpm.

**Cutter Blades:** Three heat treated steel blades, each 3/16 in. (4.8 mm) thick and 18” (45 mm) long.

**Pneumatic Wheels:** 8 in. (203 mm) dia. with greaseable roller bearings. (Inflation 20–30 P.S.I.)

**Unit Drive System :** PTO driven gear box transmits power through a “AA” section belt to all blade spindles.

**Optional Equipment:**

**Leaf Mulcher:** Model 30700

**Rear Weight Kit:** Part No. 24–5780

**52” Front Baffle Kit:** Part No. 68–7210  
(For Dry Conditions)

**Grass Collection System:** Model 30502 Blower Kit used with Model 30504 Hopper Kit or Model 30505 Dump Kit.

**Note:** Model 30505 only fits Models 30223, 30224 and 30243. Model 30504 only fits Models 30223 and 30224.

**Phenolic Caster Wheels:** Part No. 27–1050 use with Spanner Part No. 69–8980 or order Part No. 40–0370 Caster Fork and 3/4” bolts Part No. 328–9.

**Specifications and design subject to change without notice.**

# LOOSE PARTS

**NOTE:** Use this chart as a checklist to assure all parts have been received. Without these parts, total set–up cannot be completed.

DESCRIPTION	QTY.	USE
Lift Arm	2	Mount to Traction Unit
Rear Cradle Spacer Capscrew 3/8– 16 x 2” lg. Flange Nut 3/8–16	2 2 6 6	Mount to Lift Arms
Carrier Frame Capscrews 1/2–13 x 1–1/2” lg.	1 6	Mount to Lift Arms
Clevis Pin Hair Pin Cotter	4 4	Mount Deck to Carrier Frame
Mounting Bracket Lock Pin Assembly Self Tapping Screw Spring Cover Assembly Clevis Pin Hair Pin Cotter Spring End–Top Extension Spring–Heavy Spring End–Lower Knee Link Capscrew 3/8– 16 x 2–1/4” lg. Capscrew 3/8– 16 x 1” lg. Shoulder Bolt Flatwasher Locknut 3/8–16	1 2 2 2 1 1 1 1 1 1 1 2 2 2 2 4	Mount Weight Transfer Kit
Operator’s Manual Parts Catalog	1 1	Read Before Operating Machine.
Cushion Shim	3	Level Rubber Cushions on Cutting Deck

# SET-UP INSTRUCTIONS

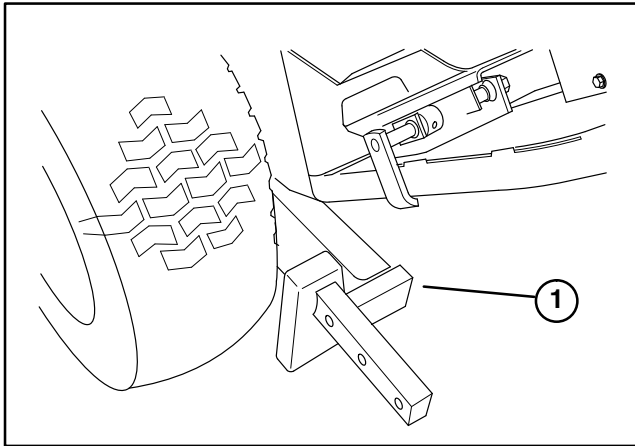


## DANGER

Do not start the engine and engage the PTO lever when PTO shaft is not connected to cutting unit gear box because the PTO shaft will rotate with enough force to cause serious injury.

### INSTALL LIFT ARMS

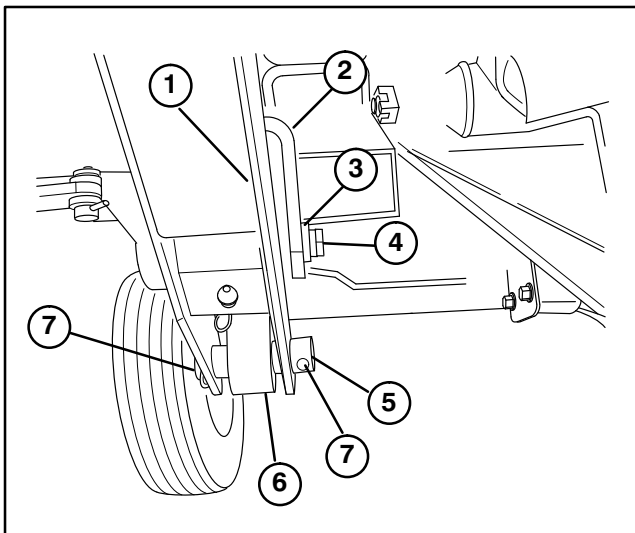
1. Slide a lift arm under each side of traction unit, positioning as shown in figure 1. Align each lift arm with holes in axle brackets.
2. Insert a pivot pin through axle bracket and lift arm. Secure with capscrew, flatwasher, lockwasher and cotter pin.



**Figure 1**

1. Lift arm

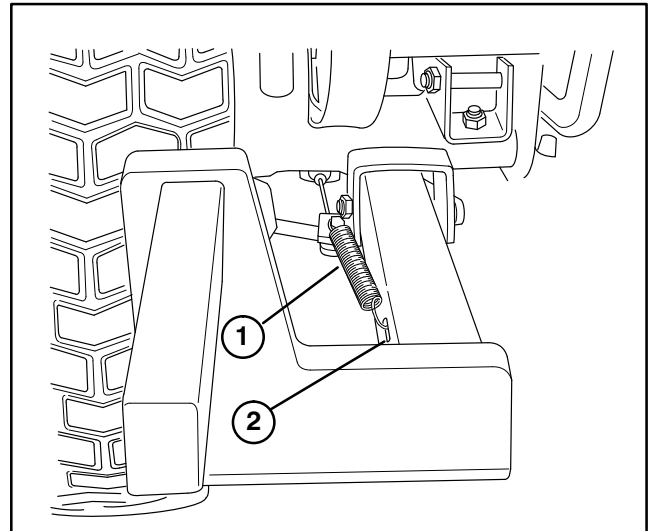
3. Align lift arm holes with hydraulic cylinder rod hole, insert pin and secure with cotter pins (Fig. 2).



**Figure 2**

- |                 |                 |
|-----------------|-----------------|
| 1. Lift arm     | 5. Cylinder pin |
| 2. Axle bracket | 6. Cylinder end |
| 3. Pivot pin    | 7. Cotter pin   |
| 4. Capscrew     |                 |

4. Remove cotter pins from clevis pins holding brake struts and yokes together, and discard the cotter pins. Keeping clevis pin in place, install short end of spring into hole in clevis pin to retain parts together. Connect other end of springs to slotted holes in lift arms (Fig. 3).



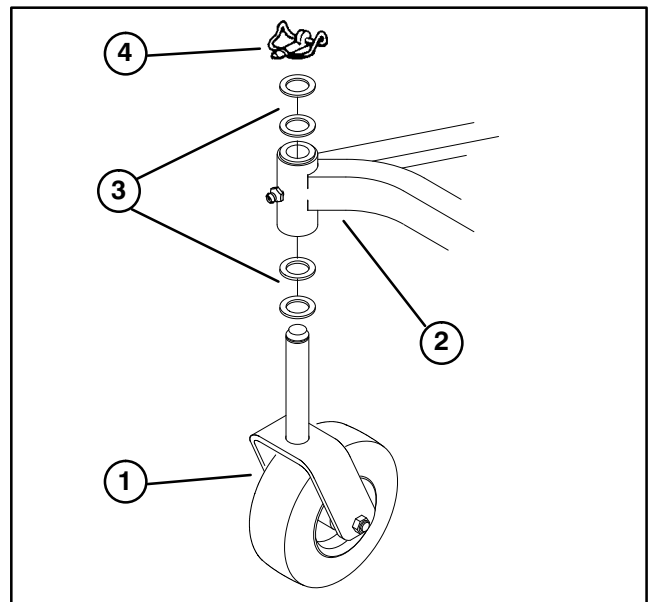
**Figure 3**

1. Brake return spring
2. Slotted hole

### INSTALL CARRIER FRAME

**Note:** Grease castor wheel shaft with No. 2 grease after installing and after initial operation of machine.

1. Remove lynch pin and two thrust washers shipped on each castor wheel assembly. Leave two thrust washers on each shaft, insert shafts into frame mounting tube, install thrust washers and lynch pin.



**Figure 4**

- |                          |                   |
|--------------------------|-------------------|
| 1. Castor wheel assembly | 3. Thrust washers |
| 2. Carrier frame         | 4. Lynch pin      |

# SET-UP INSTRUCTIONS

2. Mount a rear cradle to each lift arm with (3) 3/8–16 x 2" lg. capscrews, spacers and flangenuts as shown in figure 5.

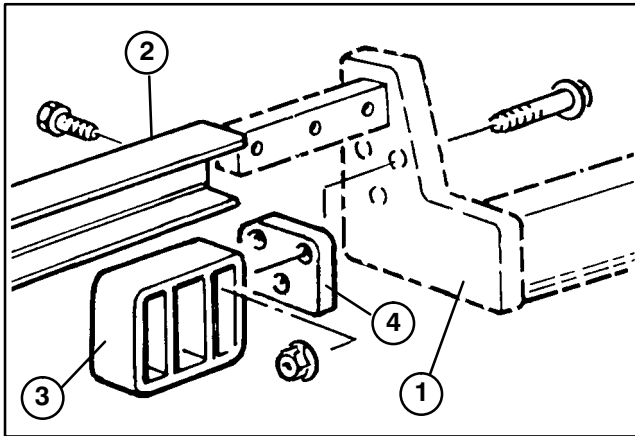


Figure 5

- |                  |                |
|------------------|----------------|
| 1. Lift arm      | 3. Rear cradle |
| 2. Carrier frame | 4. Spacer      |

**Note:** If rear cradle mounting holes are not in lift arms, use the dimensions shown in figure 6, to locate, mark and drill the (3) .406" dia. holes required in each lift arm.

3. Slide carrier frame onto lift arms aligning mounting holes. Secure each side of carrier frame to lift arms with (3) 1/2–13 x 1–1/2" lg. capscrews. Torque capscrews to 70–80 ft–lb. (Fig. 6).

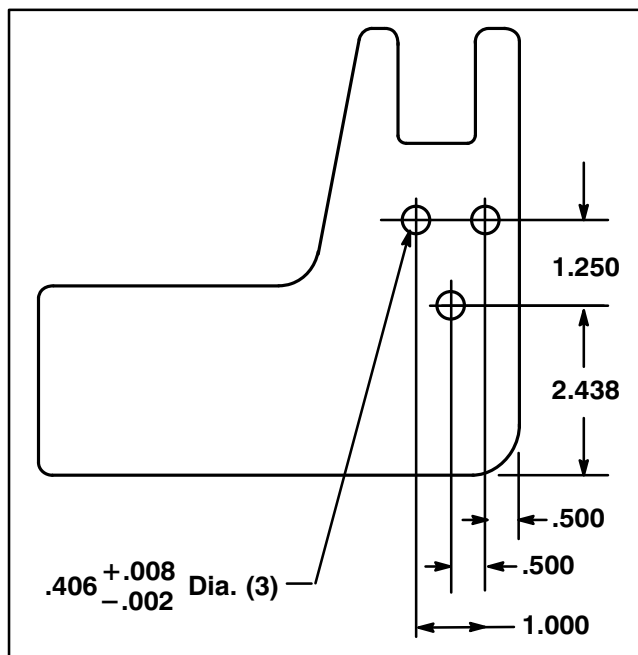


Figure 6

## INSTALL CUTTING UNIT

1. Make sure PTO shaft on traction unit clears cutting unit frame, engage parking brake, be sure traction pedal is in neutral, PTO lever is in OFF position, start engine and raise frame.

2. Stop engine, slide cutting unit under frame, slide male PTO shaft in female PTO shaft. Align gearcase input shaft with PTO shaft and slide together. Secure with roll pin and tighten bolts and locknuts (Fig. 7).

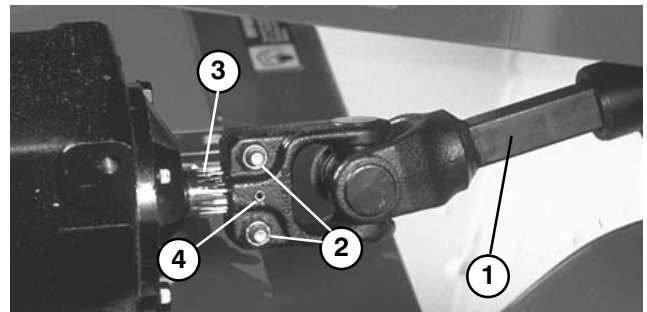


Figure 7

- |                       |                   |
|-----------------------|-------------------|
| 1. PTO shaft          | 3. Gearcase shaft |
| 2. Bolts and locknuts | 4. Roll pin       |

3. Lower carrier frame and install (4) clevis pins through desired height-of-cut bracket holes and frame brackets. Secure all four pins with hair pin cotters.

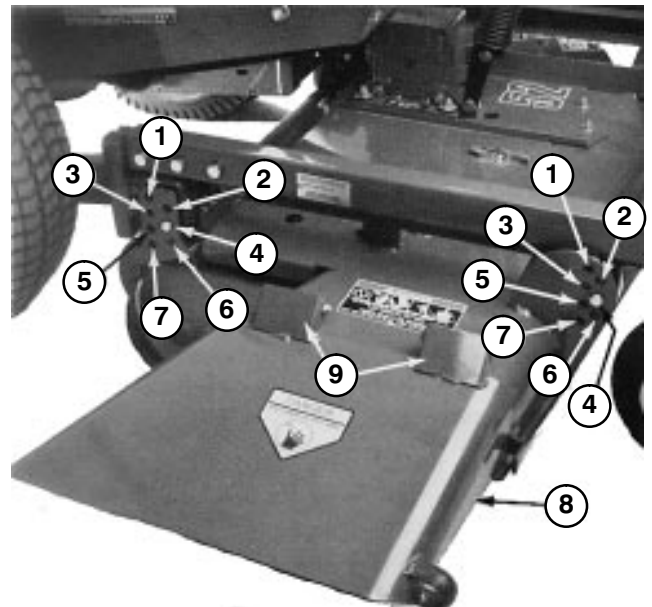


Figure 8

- |                      |                      |
|----------------------|----------------------|
| 1. 1 in. (25 mm)     | 6. 3–1/2 in. (89 mm) |
| 2. 1–1/2 in. (38 mm) | 7. 4 in. (102 mm)    |
| 3. 2 in. (51 mm)     | 8. Grass deflector   |
| 4. 2–1/2 in. (64 mm) | 9. Spring hinges     |
| 5. 3 in. (76 mm)     |                      |

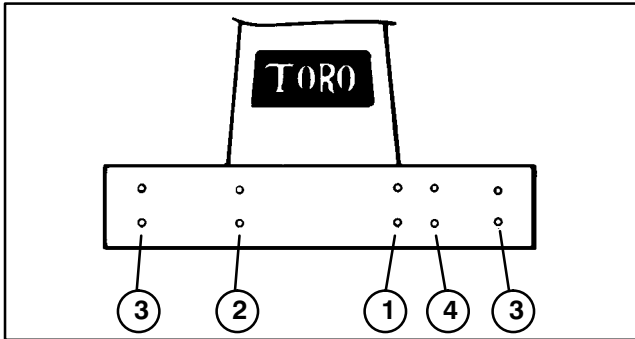
## INSTALL WEIGHT TRANSFER KIT

1. Fully raise the cutting deck, set the parking brake, rotate the ignition key to OFF and remove key from ignition switch.

2. Place blocks under the cutting deck to prevent it from falling during assembly.

**Note:** Mounting brackets for weight transfer kit must be installed in different locations depending on the cutting deck. Refer to figure 9 for mounting location.

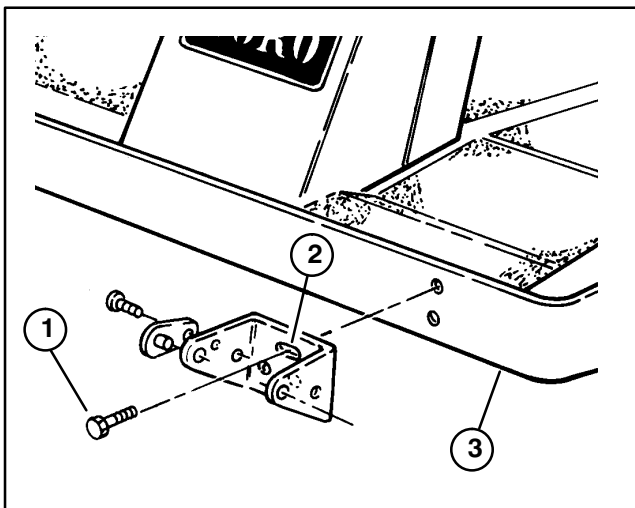
# SET-UP INSTRUCTIONS



**Figure 9**

- 1. 52" side discharge deck
- 2. 52" deck w/bagger
- 3. 62" & 72" decks
- 4. 52" rear discharge deck

3. To install the mounting brackets, insert (2) 3/8-16 x 1" lg. flangehead capscrews through the slotted bracket holes. Thread the screws into the captivated frame nuts and torque to 45-50 ft-lb (Fig. 10).



**Figure 10**

- 1. Flangehead capscrew
- 2. Slotted hole
- 3. Frame

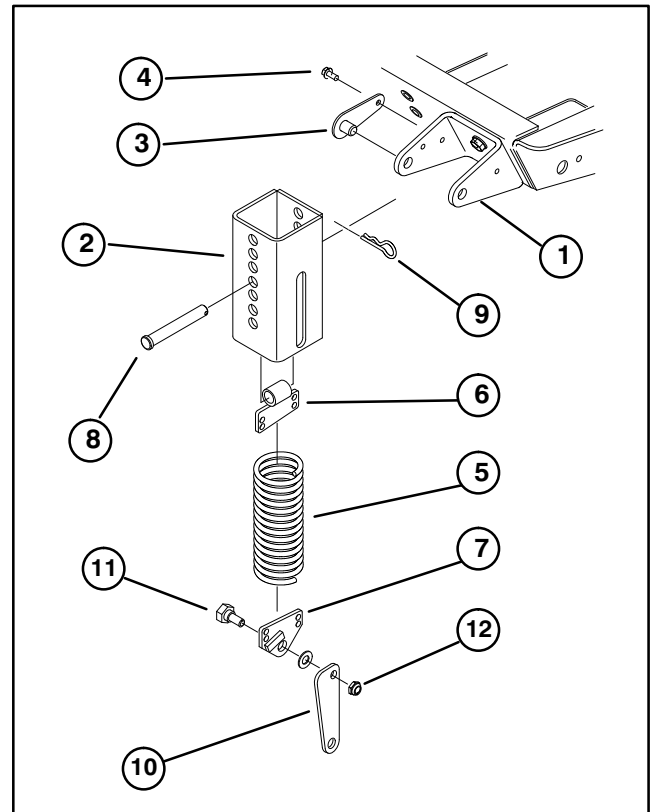
4. Thread the top extension spring coil into the top spring end holes and the bottom extension spring coil into the bottom spring end holes (Fig. 11).

5. Mount knee link to lower spring end with wide part of knee link pointing forward and spring end stop pointing forward. Secure knee link to outer side of spring end with a shoulder bolt and locknut (Fig. 11, 12).

**IMPORTANT: The knee link must be assembled pointing in the proper direction or spring will not pivot correctly when deck is raised.**

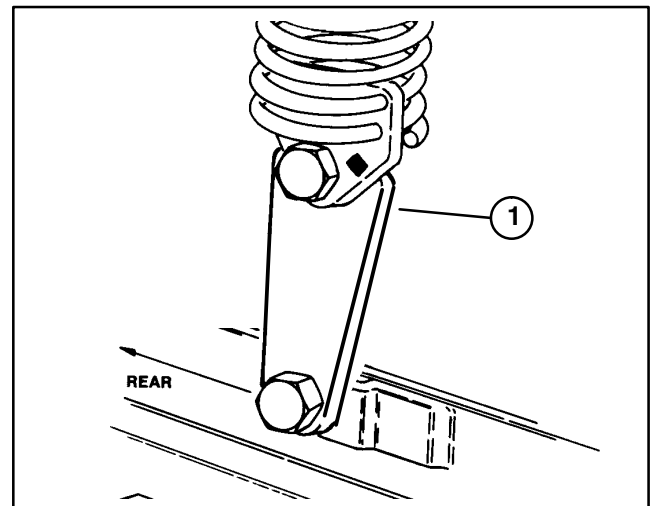
6. Mount bottom of knee link to deck bracket with a shoulder bolt and locknut.

7. Align slotted holes in the spring cover (slot toward the bottom) with the mounting bracket holes. Insert lock pin assemblies into the bracket holes and secure each to the bracket with self-tapping screws (Fig. 11). Torque the screws to 20 ft-lb.



**Figure 11**

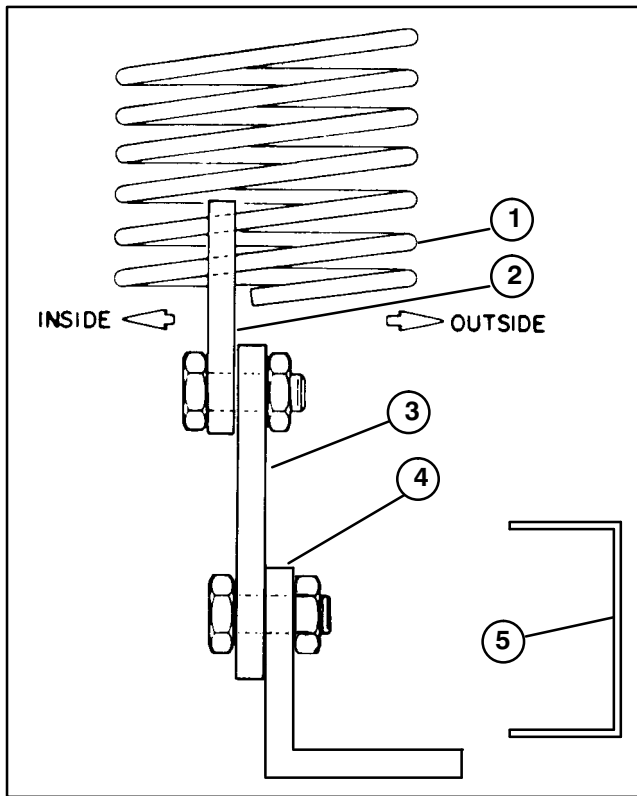
- 1. Mounting bracket
- 2. Spring cover
- 3. Lock pin assembly
- 4. Self tapping screw
- 5. Extension spring
- 6. Top spring end
- 7. Bottom spring end
- 8. Clevis pin
- 9. Hair pin cotter
- 10. Knee link
- 11. Shoulder bolt
- 12. Locknut (2)



**Figure 12**

- 1. Wide part of knee link

# SET-UP INSTRUCTIONS



**Figure 13**

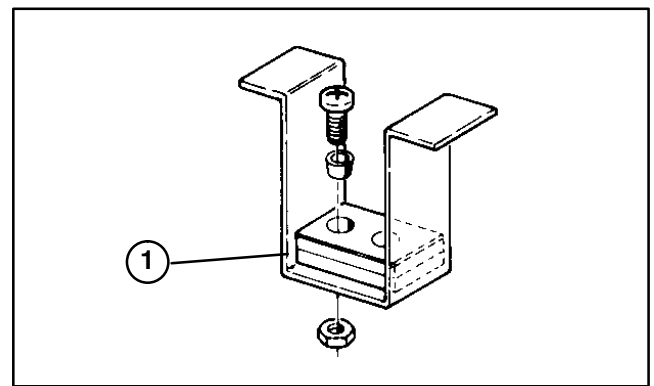
- |                           |                    |
|---------------------------|--------------------|
| 1. Weight transfer spring | 4. Deck bracket    |
| 2. Spring end plate       | 5. Deck frame      |
| 3. Knee link bracket      | 6. Flotation frame |

8. From the bottom, insert the spring and top spring end into the spring cover. Select a hole that matches

the cutter deck height-of-cut setting; i.e., top cover hole matches the highest height setting, bottom cover hole the lowest, etc. Align the top spring end hole with the selected spring cover holes and insert the clevis pin to secure the spring inside the cover (Fig. 11). Secure clevis pin with a hair pin cotter.

9. Remove the blocks from under the cutting unit. Make final counterbalance adjustments under actual cutting conditions; refer to Tension Spring Adjustment, page 12.

10. Check to make sure front height-of cut pins are resting properly on frame cushions (Fig. 14). If pins are not resting properly, place a shim or shims under cushion to raise it for proper alignment.



**Figure 14**

1. Frame cushions

## INSTALL REAR WEIGHT

Two Wheel Drive Groundsmaster 200 Series Traction Units comply with ANSI B71.4-1990 Standard when equipped with rear weight. Use chart below to determine combinations of weight required. Order parts from your local Authorized Toro Distributor.

Four Wheel Drive Groundsmaster 200 Series Traction Units do not need additional rear weight to comply with ANSI B71.4-1990 Standard.

	Rear Weight Required	Left Side Weight Required	Weight Part Number	Weight Description	Qty.
52" Side Discharge Deck	20 lb.	0 lb.	92-8763	Weight Kit - 20 lb.	1
52" Side Discharge Deck with 9 cu. ft. Hopper	0 lb.	0 lb.	-	-	-
52" Side Discharge Deck with 15 cu. ft. Hopper	0 lb.	215 lb.	* & 92-9670 & 24-5780	75 lb. Wheel Weight  Bracket Kit  Rear Weight-Kit	1  1  2

\* 75 lb. wheel weight (included with 15 cu. ft. Hopper) required on left wheel

# BEFORE OPERATING

## ADJUSTING HEIGHT-OF-CUT

The height-of-cut is adjustable from 1 to 4 inches in 1/2 inch increments by relocating four clevis pins in different hole locations to prevent any operating and cutting unit.

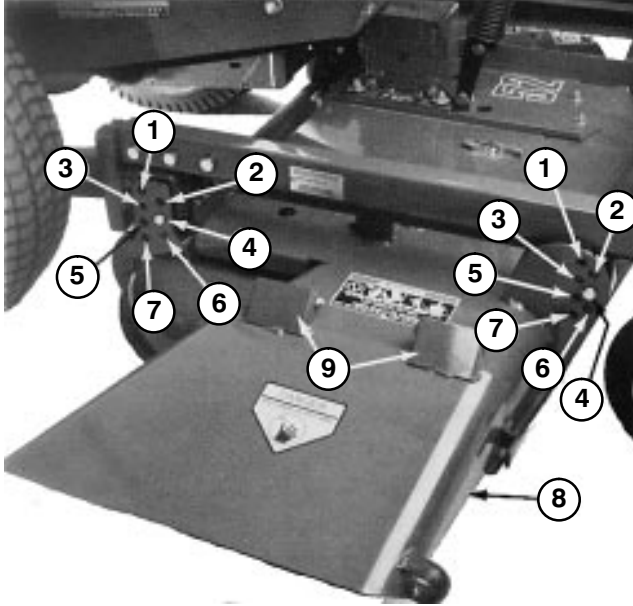


Figure 15

- |                      |                      |
|----------------------|----------------------|
| 1. 1 in. (25 mm)     | 6. 3-1/2 in. (89 mm) |
| 2. 1-1/2 in. (38 mm) | 7. 4 in. (102 mm)    |
| 3. 2 in. (51 mm)     | 8. Grass deflector   |
| 4. 2-1/2 in. (64 mm) | 9. Spring hinges     |
| 5. 3 in. (76 mm)     |                      |

**Note:** All four pins should be in identical hole locations to prevent any operating and cutting difficulties.

## ADJUSTING ROLLERS

**Note:** If cutting unit is to be used in 1 in. or 1-1/2 in. height-of-cut setting, rear cutting unit rollers must be repositioned in the top bracket holes.

### To adjust rear rollers:

1. Remove cotter pins securing roller shafts to underside of deck.
2. Slide shafts out of lower bracket holes, align rollers with top holes and install shafts.
3. Install cotter pins to secure assemblies.

## CHECK LUBRICANT IN GEAR BOX

The gearbox is designed to operate on SAE 80-90 wt. gear lube. Although the gear box is shipped with lubricant from the factory, check the level before operating the cutting unit.

1. Position machine and cutting unit on a level surface.
2. Remove check plug from side of gear box and make sure lubricant is up to bottom of hole. If level of lubricant is low, remove fill plug on top of gear case and add enough lubricant to bring it up to bottom of hole in side.

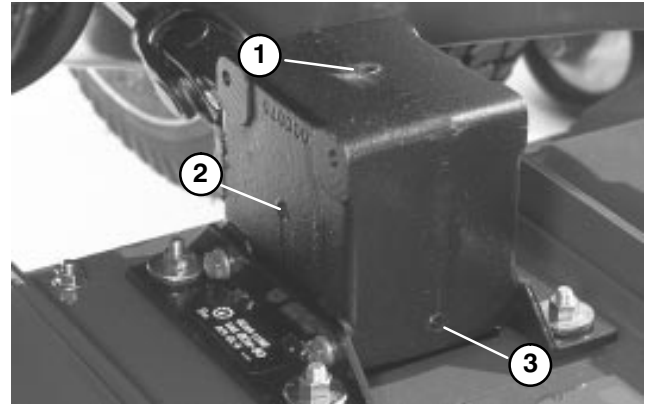


Figure 16

1. Filler plug      2. Check plug      3. Drain plug

# OPERATING INSTRUCTIONS

## GRASS DEFLECTOR



### WARNING

The grass deflector (Fig. 15) is a safety device that diverts grass and other foreign objects being discharged downward. **WE STRONGLY RECOMMEND THAT THE DEFLECTOR BE IN ITS NORMAL OPERATING POSITION WHENEVER THE CUTTING UNIT IS ENGAGED. NEVER OPERATE CUTTING UNIT WITH THE DEFLECTOR REMOVED FROM THE CUTTING UNIT OR IT TIED/BLOCKED IN A RAISED POSITION. SINCE THE BLADES COULD THEN THROW DEBRIS A CONSIDERABLE DISTANCE WITH SUFFICIENT FORCE TO CAUSE PERSONAL INJURY OR DAMAGE TO PROPERTY.** If the grass deflector is damaged, repair or replace the affected part(s).

**Note:** The deflector is spring loaded into its downward normal operating position, but the operator can temporarily swing it out of the way to facilitate loading in a trailer or when otherwise necessary.

## TENSION SPRING ADJUSTMENT

For best performance, so cutting unit bounce on uneven turf is minimal and it does not ride heavily over flat terrain. If scalping occurs or the cut is uneven from side to side, there may too much weight on the deck and weight may have to be transferred to the traction unit: i.e. increased spring tension.

By contrast, if too much weight is transferred to the traction unit, the deck will bounce excessively and the cut will be uneven. If the cutting unit does not perform properly, adjust as follows:

1. Stop the machine on a level surface, set parking brake, fully raise cutting unit turn ignition key to OFF and remove key from switch.
2. Remove hair pin cotter from clevis pin securing spring end to spring cover and remove clevis pin. Align the top spring end hole with the new hole selected in the spring cover, insert clevis pin and secure with hairpin cotter.
3. Resume operations. If further adjustments are required repeat procedure.



### CAUTION

**Counterbalance spring is in tension when deck is in lowered position. Always raise deck before adjusting or removing spring.**

# LUBRICATION

## GREASE BEARINGS AND BUSHINGS

The cutting unit must be lubricated regularly. If machine is operated under normal conditions, lubricate castor bearings and bushings with No. 2 general purpose lithium base grease or molybdenum base grease, after every 8 hours of operation or daily, whichever comes first. All other bearings, bushings and gear box must be lubricated after every 50 hours of operation.

1. The cutting unit lubrication points are: castor spindle bushings, castor wheel bearings and blade spindle bearings.

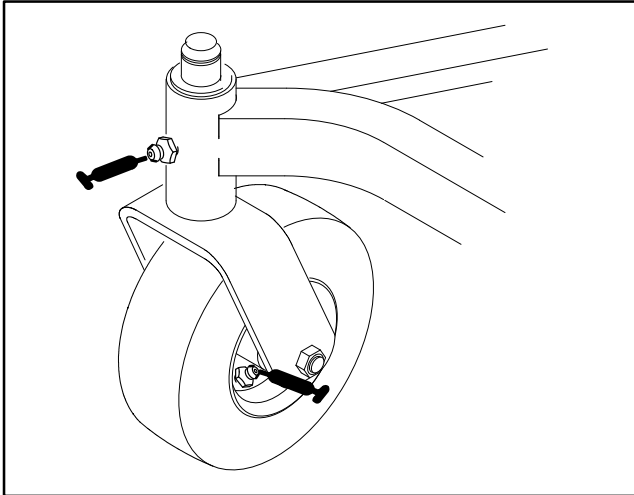


Figure 17



Figure 18

2. Lower cutting unit so castor wheels are on a level surface. Be sure all height-of-cut pins are in the same hole locations. Remove check plug (Fig. 19) from side of gear box and check level of lubricant. If level of lubricant is low, remove fill plug on top of gear box and add SAE 80–90 wt. gear lube until level is up to bottom of check hole.

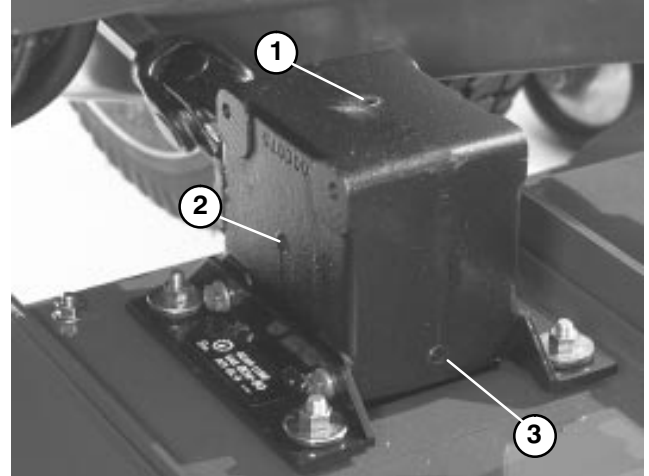
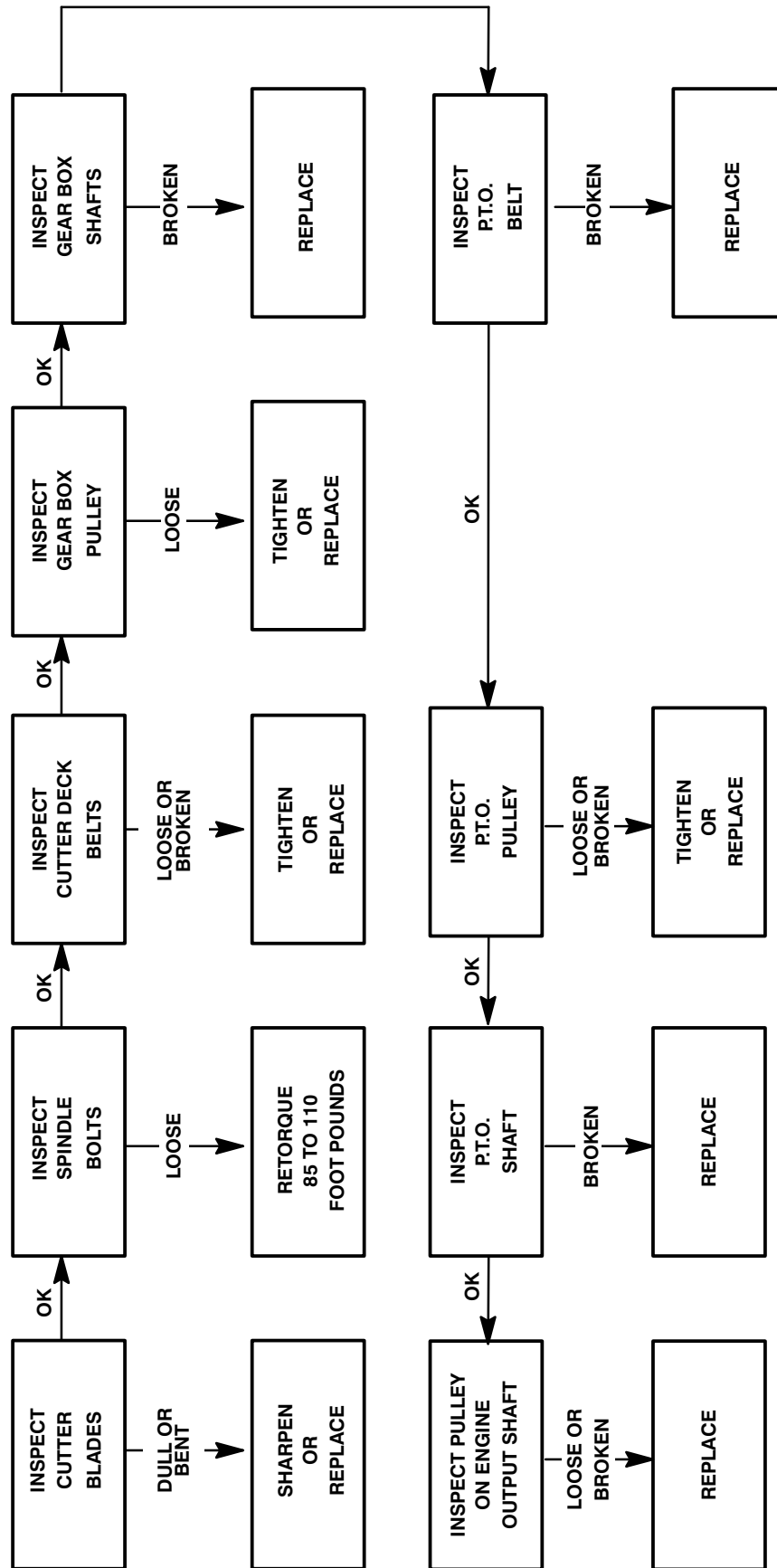


Figure 19

- 1. Fill plug
- 2. Check plug
- 3. Drain plug

# MAINTENANCE TROUBLE SHOOTING

**UNIT WILL NOT CUT OR CUTS POORLY**



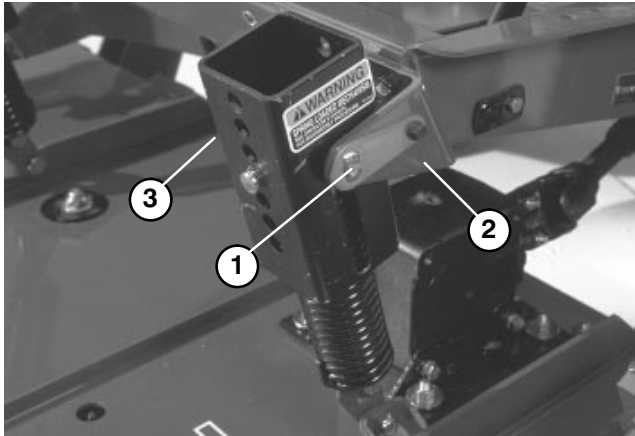
# MAINTENANCE

## SEPARATING CUTTING UNIT FROM TRACTION UNIT

1. Position machine on a level surface, raise cutting unit, engage parking brake, be sure traction pedal is in neutral position, PTO lever in OFF position, shut engine OFF and remove key from switch.



2. Disconnect counterbalance from traction unit, remove lock pins from brackets, separate spring tension assemblies from brackets and lay them down on the deck. Loosely secure lock pins to brackets to prevent losing them (Fig. 20).



**Figure 20**

- 1. Lockpin
- 2. Bracket
- 3. Spring tension assembly
- 4. Height-of-cut clevis pin

3. Lower cutting unit, remove (4) pins from height-of-cut brackets.

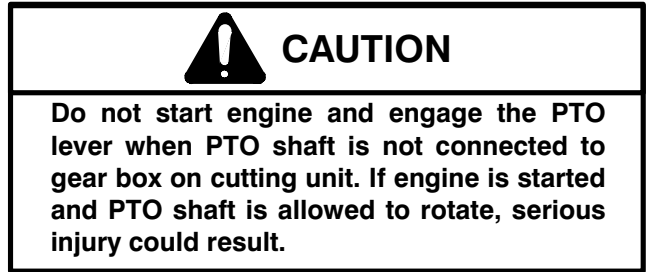
4. Start engine, raise cutting unit frame.

5. Stop engine and slide cutting unit away from traction unit and carrier frame, separating male and female sections of PTO shaft (Fig. 21).



**Figure 21**

- 1. PTO shaft



6. Deck carrier frame must be removed if traction unit will be used with any other accessory.

## SERVICING BUSHINGS IN CASTOR ARMS

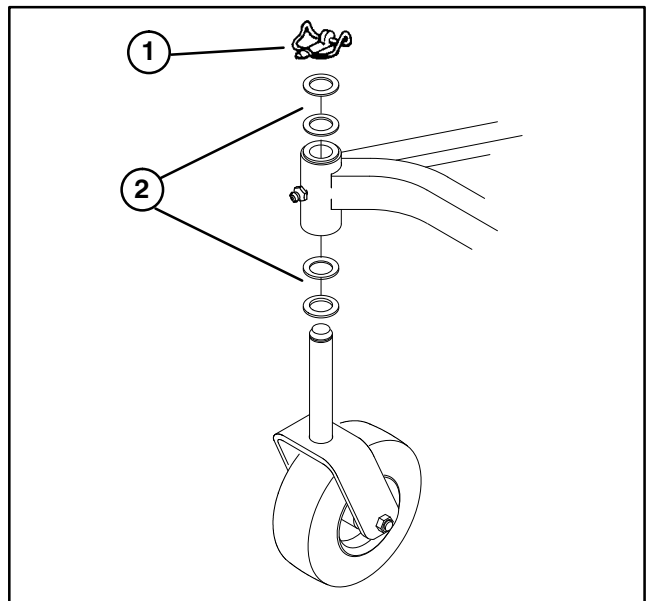
The castor arms have bushings pressed into the top and bottom portion of the tube which, after many hours of operation, will wear. To check the bushings, move castor fork back and forth and from side-to-side. If castor shaft is loose inside the bushings, bushings are worn and must be replaced.

1. Raise cutting unit so wheels are off floor and block it so cannot accidentally fall.

2. Remove lynch pin and thrust washers from top of castor spindle.

3. Pull castor spindle out of mounting tube. Allow thrust washers to remain on bottom of spindle.

4. Insert pin punch into top or bottom of mounting tube and drive bushing out of tube (Fig. 22). Also drive other bushing out of tube. Clean inside of mounting tube to remove any dirt.



**Figure 22**

- 1. Lynch pin
- 2. Thrust washers

5. Apply grease to inside and outside of new bushings. Using a hammer and flat plate, drive bushings into mounting tube.

6. Inspect castor shaft for wear and replace if damaged.

# MAINTENANCE

7. Push castor shaft through bushings and mounting tube. Slide spacers onto shaft and secure with lynch pin.

**IMPORTANT:** When bushings are installed, the inside diameter may collapse slightly, and this may not allow castor shaft to be installed. If castor spindle does not slide through new bushings and mounting tube, ream both bushings to inside diameter of 1.126 inches.

## SERVICING CASTOR WHEEL AND BEARING

The castor wheel rotates on a high-quality roller bearing and is supported by a spanner bushing. Even after many hours of use, provided that the bearing was kept well-lubricated, bearing wear will be minimal. However, failure to keep bearing lubricated will cause rapid wear. A wobbly castor wheel usually indicates a worn bearing.

1. Remove locknut from capscrew holding castor wheel assembly between castor fork. Grasp castor wheel and slide capscrew out of fork.

**Note:** Account for (2) thrust washers.

2. Tip wheel to the side and allow spanner bushing to fall out.

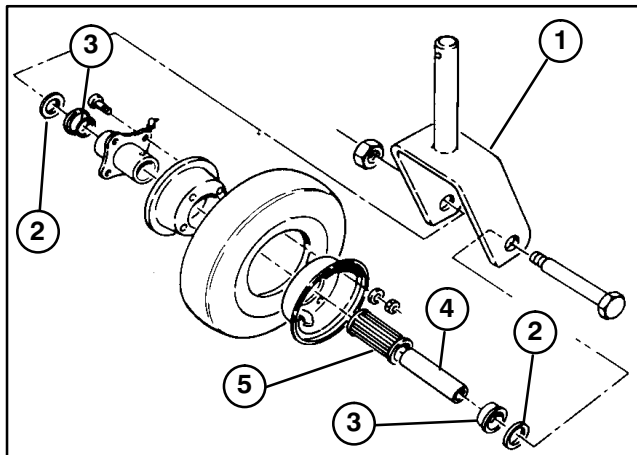


Figure 23

3. Remove one bushing from wheel hub and allow bearing to fall out. Remove bushing from opposite side of wheel hub.

4. Inspect bearing, spanner bushing and wheel for wear. Replace worn, damaged parts.

5. To assemble parts, slide spanner bushing through hub assembly.

6. Mount castor wheel assembly and washers between the fork, insert capscrew and locknut. Tighten capscrew and locknut until spanner bushing and washers bottom against inside of castor fork.

7. Pump grease through grease fitting on wheel until bearing is greased thoroughly.

## CHECKING FOR BENT BLADE

1. Position machine on a level surface, raise cutting unit, engage parking brake, be sure traction pedal is in neutral position, PTO lever in OFF position, shut engine OFF, remove key from switch and disconnect wires from spark plugs. Block cutting unit to prevent it from falling accidentally.

2. Rotate blade until the ends face forward and backward. Measure from inside of cutting unit to cutting edge at front of blade (Fig. 24), and remember this dimension.

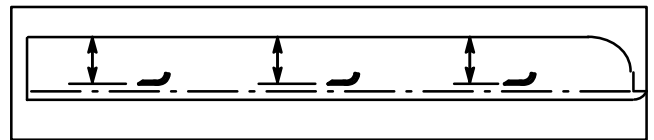


Figure 24

3. Rotate opposite end of blade forward. Measure between the cutting unit and cutting edge of blade at the same position as in step 2. The difference between dimensions obtained in steps 2 and 3 must not exceed 1/8 of an inch. If dimension exceeds 1/8 of an inch, replace the blade because it is bent: refer to Removing Cutter Blade.

## REPLACING CUTTER BLADE

The blade must be replaced if a solid object is hit, the blade is out-of-balance or if the blade is bent. Always use genuine TORO replacement blades to be sure of safety and optimum performance. Never use replacement blades made by other manufacturers because they could be dangerous.



### WARNING

**Do not try to straighten a blade that is bent, and never weld a broken or cracked blade. Always use a new blade to assure safety.**

1. Position machine on a level surface, raise cutting unit, engage parking brake, be sure traction pedal is in neutral position, PTO lever in OFF position, shut engine OFF, remove key from switch and disconnect wires from spark plugs. Block cutting unit to prevent it from falling accidentally.

2. Grasp end of blade using a rag or thickly padded glove. Remove blade bolt, lockwasher, anti-scalp cup and blade from spindle shaft.

# MAINTENANCE

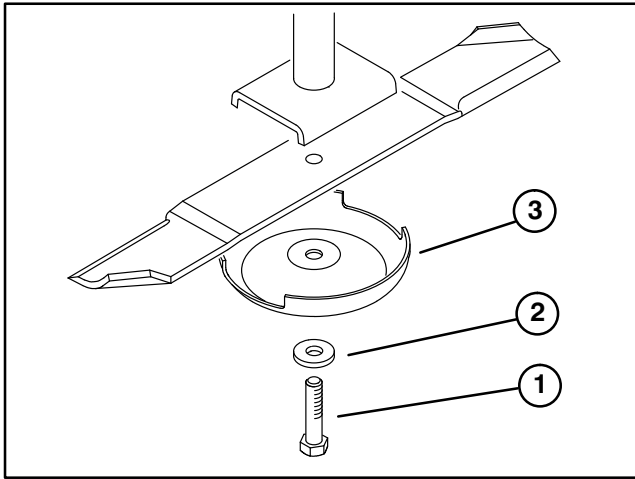


Figure 25

1. Blade bolt
2. Lockwasher
3. Anti-Scalp Cup

3. Install blade-sail facing toward cutting unit- with anti-scalp cup, lockwasher and blade bolt. Tighten blade bolt to 85-110 ft-lb.

## CHECKING SAIL AND SHARPENING CUTTER BLADE

Two areas must be considered when checking and servicing the cutter blade: one area is the sail, the other is the cutting edge. Both cutting edges and the sail, which is the turned up portion opposite the cutting edge, contribute to a good quality-of-cut. The sail is important because it pulls grass up straight, thereby producing an even cut. However, the sail will gradually wear down during operation, and this condition is normal. As the sail wears down, the quality-of-cut will degrade somewhat, although the cutting edges are sharp. The cutting edge of the blade must be sharp so the grass is cut rather than torn. A dull cutting edge is evident when tips of the grass appear brown and shredded. Sharpen the cutting edges to correct this condition.

1. Position machine on a level surface, raise cutting unit, engage parking brake, be sure traction pedal is in neutral position, PTO lever in OFF position, shut engine OFF, remove key from switch and disconnect wires from spark plugs. Block cutting unit to prevent it from falling accidentally.

2. Examine cutting ends of the blade carefully, especially where the flat and curved parts of the blade meet (Fig. 26-A). Since sand and abrasive material can wear away the metal that connects the flat and curved parts of the blade, check the blade before using the mower. If wear is noticed (Fig. 26-B), replace the blade.

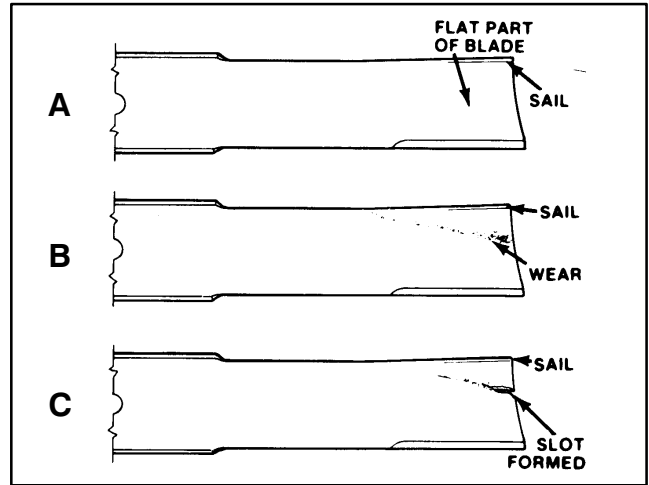


Figure 26

3. Examine cutting edges of all blades. Sharpen the cutting edges if they are dull or nicked. Sharpen only the top of the cutting edge and maintain the original cutting angle to make sure of sharpness (Fig. 27). The blade will remain balanced if same amount of metal is removed from both cutting edges.



## DANGER

If blade is allowed to wear, a slot will form between the sail and flat part of the blade (Fig. 26-C). Eventually a piece of the blade may break off and be thrown from under the housing, possibly resulting in serious injury to yourself or bystanders.

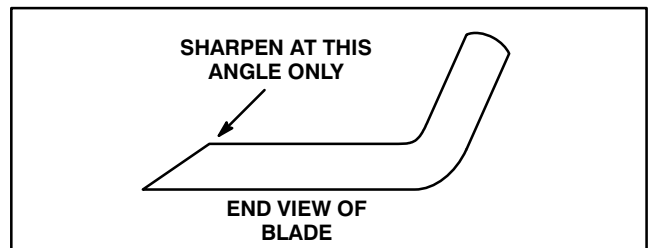


Figure 27

**Note:** Remove the blades and sharpen them on a grinder: refer to Removing Cutter Blades, steps 2 and 3. After sharpening the cutting edges, reinstall blade with anti-scalp cup, flatwasher and blade bolt. Blade sails must be on top of blade. Tighten blade bolt to 85-110 ft-lb.

## CORRECTING CUTTING UNIT MISMATCH

If one cutter blade cuts lower than the others, correct as follows:

1. Lower cutting unit onto a level surface, engage parking brake, be sure traction pedal is in neutral position, PTO lever in OFF position, shut engine OFF, remove key from switch and disconnect wires from spark plugs. Make sure tire pressure is equal on all tires.

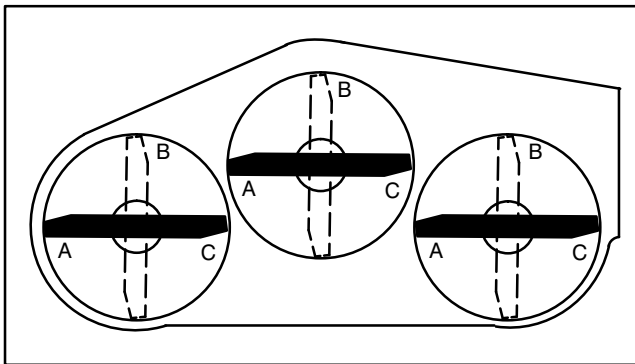
# MAINTENANCE

2. Raise height-of-cut to the 4 in. position: refer to Adjusting Height-Of-Cut.

3. Rotate blades so tips line up with one another. Tips of the adjacent blades must be within 1/8 in. of each other. If tips are not within 1/8 in. of each other, proceed to step 10 and add shims between spindle housing and bottom of cutting unit.

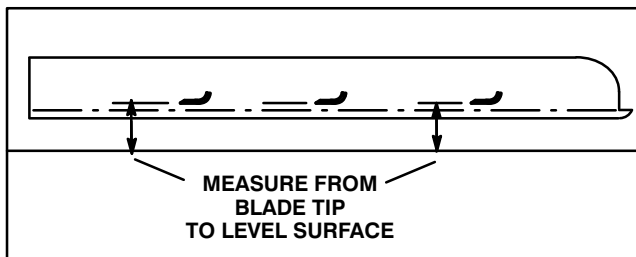
4. Check to make sure front height-of-cut pins are resting properly on frame cushions. If pins are not resting properly, place a shim or shims under cushion to raise it for proper alignment.

5. Position all three blades in the "A" position (Fig. 28) and measure from level surface to the bottom of the tip end of each blade (Fig. 29).



**Figure 28**

6. Note measurement attained at "A", rotate blades to "B" position (Fig. 28), measure distance of all blades to level surface and note dimensions (Fig. 29).



**Figure 29**

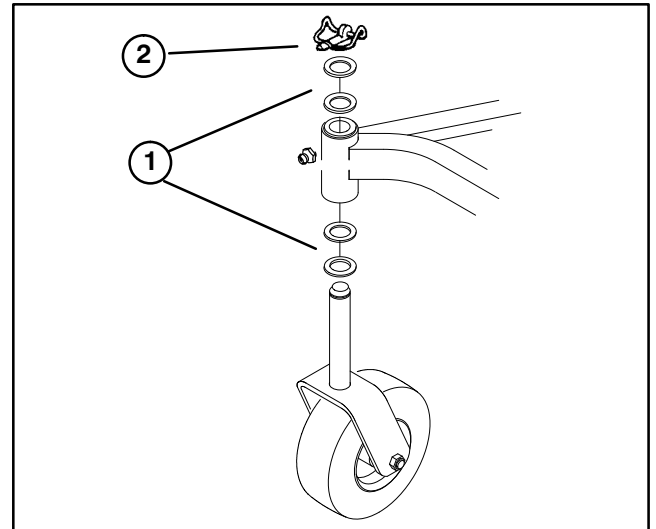
7. Rotate blades to "C" position, measure and note distance measured (Fig. 28, 29).

8. Compare measurements at various positions. All dimensions must be equal within 1/4 in. from any two adjacent blades. The difference between dimensions of all three blades must not exceed 3/8 in. If difference exceeds specifications proceed to step 9.

9. Remove capscrews, flatwashers and locknuts from outer spindle in the area where shims must be added. To raise or lower the blade, add a shim, Part No. 3256-24, between spindle housing and bottom of cutting unit. Continue checking alignment of blades and adding shims until tips of blades are within the required dimension.

10. Equalize side-to-side measurements as follows:

A. Cutting units usually operated at 1 to 2 in. height-of-cut should have the low side of the cutting unit raised. Remove the lynch pin securing castor wheel on low end (Fig. 30) and remove castor assembly.



**Figure 30**

1. Thrust washers (as required)
2. Lynch pin

B. Transfer one thrust washer from top side of castor shaft to lower side, install castor assembly and compare blade height of all blades; refer to items 3 through 7. Continue adding thrust washers if height still does not meet requirements.

C. If cutting unit is operated at 2 to 4 in. height-of-cut, lower the high side of cutting unit. Remove lynch pin of castor at high end of unit and remove castor assembly (Fig. 30).

D. Transfer one thrust washer from lower side of castor shaft to top side, install assembly and compare blade height of all blades; refer to items 3 through 7. Repeat procedure if height still does not meet requirements.

E. If height is within specified dimension, install lynch pin, set height-of-cut to proper height and resume operation.

## REPLACING GRASS DEFLECTOR

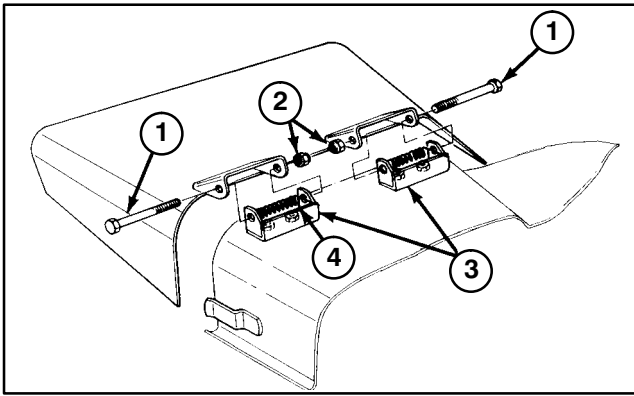
1. Position machine on a level surface, raise cutting unit, engage parking brake, be sure traction pedal is in neutral position, PTO lever in OFF position, shut engine OFF and remove key from switch. Block cutting unit to prevent it from falling accidentally.

2. Remove two capscrews, locknuts and springs securing deflector mounts to pivot brackets.

3. To remove the pivot brackets, remove carriage bolts and nuts.

4. Reinstall pivot brackets on top of discharge opening with carriage bolts and nuts. Head of carriage bolts must be on inside of cutting unit.

# MAINTENANCE



**Figure 31**

- |             |                   |
|-------------|-------------------|
| 1. Capscrew | 3. Pivot brackets |
| 2. Locknuts | 4. Spring         |

5. Position deflector mounts on pivot brackets and secure parts together with capscrews, locknuts and springs. Both locknuts must face each other. Tighten locknuts until they are flush against deflector pivots.

6. Lift deflector and allow it to drop to check spring tension. Deflector must be held firmly in full downward position by spring tension. Correct if necessary.

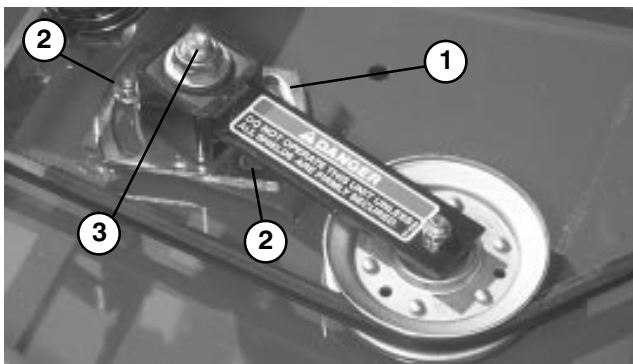
## ADJUSTING IDLER PULLEY

The idler pulley applies force against the belt so power can be transmitted to the blade pulleys. If the idler is not tensioned against the belt with sufficient force, maximum power will not be transmitted to the pulleys. Initial tension on a new belt requires 25 to 30 ft-lb of torque on the large nut, which applies force against the belt. As the belt wears and loosens, 20 to 25 ft-lb of torque on the large nut is required. If the idler is not adjusted to these specifications, adjustment is necessary.

1. Position machine on a level surface, lower cutting unit, engage parking brake, be sure traction pedal is in neutral position, PTO lever in OFF position, shut engine OFF and remove key from switch.

2. Release and unhook latches securing center cover to top of cutting unit. Remove cover from cutting unit.

3. Loosen two nuts securing idler plate in place. Using a socket and torque wrench, tighten the idler adjusting nut to 25–30 ft–lb. (Fig. 32).



**Figure 32**

- |                        |
|------------------------|
| 1. Idler plate         |
| 2. Nuts (2)            |
| 3. Idler adjusting nut |

4. Hold the torque against the belt and tighten the two nuts so idler plate is held securely in place. Release the idler adjusting nut. Install cover and secure latches.

## REPLACING DRIVE BELT

The blade drive belt, tensioned by the adjustable idler, is very durable. However, after many hours of use, the belt will show signs of wear. Signs of a worn belt are: squealing when belt is rotating, blades slipping when cutting grass, frayed edges, burn marks and cracks. Replace the belt if any of these conditions are evident.

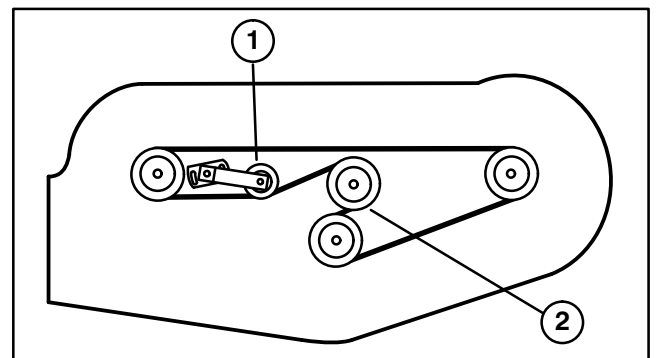
1. Position machine on a level surface, lower cutting unit, engage parking brake, be sure traction pedal is in neutral position, PTO lever in OFF position, shut engine OFF and remove key from switch.

2. Release and unhook latches securing covers to top of cutting unit. Remove covers.

3. Loosen two nuts securing idler plate in place and remove old belt from pulleys.

4. To install new belt, the gear box base must be removed. To do this, remove four carriage bolts and locknuts holding gear box base.

5. Install new belt around gear box pulley, spindle pulleys, stationary idler pulley and adjustable idler pulley.



**Figure 33**

- |                            |
|----------------------------|
| 1. Adjustable Idler Pulley |
| 2. Gear Box Pulley         |

6. Install gear box base with carriage bolts and locknuts.

7. Using a torque wrench, adjust tension of idler pulley against the belt: refer to Adjusting Idler Pulley.

8. Reinstall covers and secure latches.

9. Remove blocking and lower cutting unit to ground.

# IDENTIFICATION AND ORDERING

## MODEL AND SERIAL NUMBERS

The cutting deck has two identification numbers: a model number and a serial number. The two numbers are stamped into a plate which is located on carrier frame behind the right front castor wheel. In any correspondence concerning the mower, supply the model and serial numbers to assure that correct information and replacement parts are obtained.

To order replacement parts from an authorized TORO Distributor, supply the following information:

1. Model and serial numbers of the machine.
2. Part number, description and quantity of parts desired.

**Note:** Do not order by reference number if a parts catalog is being used; use the part number.







## **The Toro Promise** **A One Year Limited Warranty**

*The Toro Company promises to repair your TORO product if defective in materials or workmanship. The following time periods from the date of purchase apply:*

**Commercial Products ..... 1 Year**

*The cost of parts and labor are included, but the customer pays the transportation costs on walk rotary mowers with cutting unit widths of less than 25".*

---

If you feel your TORO Product is defective and wish to rely on The Toro Promise, the following procedure is recommended:

1. Contact your Authorized TORO Distributor or Commercial Dealer (the Yellow Pages of your telephone directory is a good reference source).
2. The TORO Distributor or Commercial Dealer will advise you on the arrangements that can be made to inspect and repair your product.
3. The TORO Distributor or Commercial Dealer will inspect the product and advise you whether the product is defective and, if so, make all repairs necessary to correct the defect without an extra charge to you.

If for any reason you are dissatisfied with the distributor's analysis of the defect or the service performed, you may contact us.

Write:

TORO Commercial Products Service Department  
8111 Lyndale Avenue South  
Minneapolis, MN 55420

The above remedy of product defects through repair by an Authorized TORO Distributor or Commercial Dealer is the purchaser's sole remedy for any defect.

**THERE IS NO OTHER EXPRESS WARRANTY. ALL IMPLIED WARRANTIES OF MERCHANTABILITY AND FITNESS FOR USE ARE LIMITED TO THE DURATION OF THE EXPRESS WARRANTY.**

Some states do not allow limitations on how long an implied warranty lasts, so the above limitation may not apply to you.

This Warranty applies only to parts or components which are defective and does not cover repairs necessary due to normal wear, misuse, accidents, or lack of proper maintenance. Regular, routine maintenance of the unit to keep it in proper operating condition is the responsibility of the owner.

All warranty repairs reimbursable under The Toro Promise must be performed by an Authorized Toro Commercial Dealer or Distributor using Toro approved replacement parts.

Repairs or attempted repairs by anyone other than an Authorized TORO Distributor or Commercial Dealer are not reimbursable under the TORO Promise. In addition, these unauthorized repair attempts may result in additional malfunctions, the correction of which is not covered by warranty.

**THE TORO COMPANY IS NOT LIABLE FOR INDIRECT, INCIDENTAL OR CONSEQUENTIAL DAMAGES IN CONNECTION WITH THE USE OF THE PRODUCT INCLUDING ANY COST OR EXPENSE OF PROVIDING SUBSTITUTE EQUIPMENT OR SERVICE DURING PERIODS OF MALFUNCTION OR NON-USE.**

Some states do not allow the exclusion of incidental or consequential damages, so the above exclusion may not apply to you.

This warranty gives you specific legal rights, and you may also have other rights which vary from state to state.

### **COUNTRIES OTHER THAN THE UNITED STATES OR CANADA**

Customers who have purchased TORO products exported from the United States or Canada should contact their TORO Distributor (Dealer) to obtain guarantee policies for your country, province, or state. If for any reason you are dissatisfied with your Distributor's service or have difficulty obtaining guarantee information, contact the TORO importer. If all other remedies fail, you may contact us at The Toro Company.