



# Heavy-Duty Spindle Kit

## Z Master® Riding Mowers

Model No. 78580

### Installation Instructions

## Loose Parts

Use the chart below to verify that all parts have been shipped.

Description	Qty.	Use
No parts required	–	Prepare the mower.
Spindle assembly	1	Install the new spindle.
Bolt (3/8 x 3/4 inch)	3	
Curved washer	3	
Flat washer	3	
Bolt (M10-1.5 x 25)	6	
Nut (M10-1.5)	6	

## Preparing the Mower

1. Thoroughly clean mower deck. All debris must be removed to ensure spindle will fit properly against mower deck.
2. Repair all bent or damaged areas of mower deck and replace any missing parts.

## Installing the New Spindle

### ⚠ WARNING

While maintenance or adjustments are being made, someone could start the engine. Accidental starting of the engine could seriously injure you or other bystanders.

Remove the key from the ignition switch, engage parking brake, and pull the wire(s) off the spark plug(s) before you do any maintenance. Also push the wire(s) aside so it does not accidentally contact the spark plug.

1. Park the machine on a level surface, disengage the blade control switch, and move the motion control levers outward to the neutral position and engage parking brake.
2. Remove the belt covers from the mower deck.
3. Remove the mower belt from the pulleys on the mower deck.
4. Remove the three bolts holding the deck pulley to the aluminum hub. Save the deck pulley and discard the bolts (Figure 1).

5. Raise the deck to the transport position.
6. Raise the front of the machine and support it with a Z Stand® or jack stands (or equivalent support).

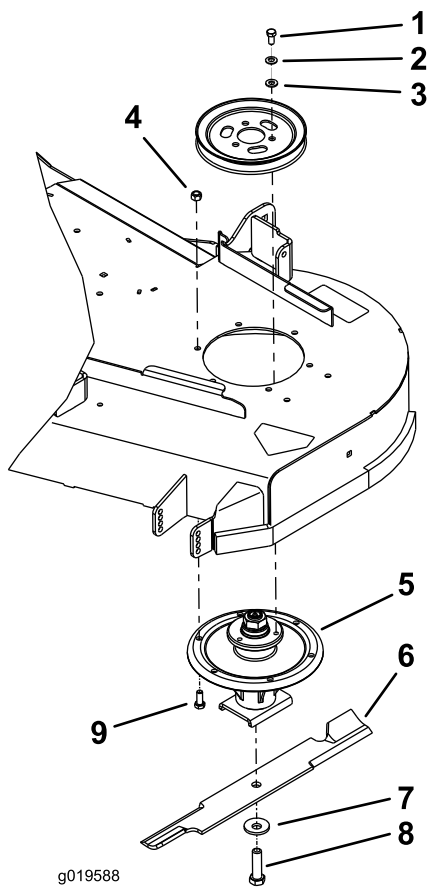
### ⚠ CAUTION

Raising the mower deck for service or maintenance relying solely on mechanical or hydraulic jacks could be dangerous. The mechanical or hydraulic jacks may not be enough support or may malfunction allowing the machine to fall, which could cause injury.

Do Not rely solely on mechanical or hydraulic jacks for support. Use adequate jack stands or equivalent support.

7. Remove the blade from the spindle. Save the blade, curved washer and blade bolt.
8. Remove the spindle assembly from the mower deck.
9. Install the new spindle assembly under the mower deck with 6 bolts (M10-1.5 x 25) and 6 nuts (M10-1.5) (Figure 1).
10. Align the three holes in the deck pulley with the three holes in the spindle hub and install 3 bolts (3/8 x 3/4 inch), 3 small curved washers and 3 flat washers (Figure 1).
11. Install the blade to the spindle with the blade bolt and large curved washer. Torque the blade bolt to 85-110 ft-lb (115-150 N-m) (Figure 1).





g019588

**Figure 1**

- |                          |                        |
|--------------------------|------------------------|
| 1. Bolt (3/8 x 3/4 inch) | 6. Blade               |
| 2. Curved washer         | 7. Curved washer       |
| 3. Flat washer           | 8. Blade bolt          |
| 4. Nut (M10-1.5)         | 9. Bolt (M10-1.5 x 25) |
| 5. Spindle               |                        |