



Count on it.

Parts Catalog

LX423 Lawn Tractor

Model No. 13AX90RS848—Serial No. 1 and Up



Ordering Replacement Parts

To order replacement parts, please supply the part number, the quantity, and the description of each part desired.

Understanding Reference Numbers

Each identified part in an illustration has a reference number. The reference number for a part also appears in the parts list, along with other information about the part.

This catalog uses two special reference number formats, one to indicate parts in a service assembly and another to indicate the quantity of a given part in an illustration.

Service Assembly Reference Numbers

Parts in service assemblies have reference numbers in the form a:b. The a represents the reference number of the entire service assembly and the b represents a sequential number unique to each part within the service assembly.

For example, a wheel assembly might be identified by reference number 6, the tire by 6:1, the valve by 6:2, and the wheel by 6:3. When you order the assembly identified by reference number 6, you receive all parts identified by reference numbers 6:1, 6:2, and 6:3. However, you may also order any part individually. Reference numbers of this type appear in illustration and in parts lists.

Reference Numbers Indicating Quantity

In an illustration, if a reference number indicates more than one part, the reference number has the form nX y. The n represents the quantity of the part, the X is the multiplication symbol, and the y represents the reference number.

For example, in an illustration, the reference number 2X 37 means that two of the parts identified by reference number 37 are indicated.

List of Abbreviations

AR: as required

ASM: assembly

BBC: blade brake control

BHTF: button head thread forming

CARR: carriage

CCW: counter clockwise

CW: clockwise

DEG: degrees

DPA: Dual Point Adjustment

ECM: electronic control module

EXT: external

FH: flat head

GA: gauge

HD: heavy-duty

HF: hex flange

HH: hex head

HHF: hex head flange

HHFTF: hex head flange thread forming

HJ: hex jam

HLH: hex lag head

HOC: height-of-cut

HSBH: hex socket button head

HSFH: hex socket flat head

HSH: hex socket head

HWH: hex washer head

HWHTF: hex washer head thread forming

HYD: hydraulic

LH: left hand

LPG: Liquid Propane Gas

NI: nylon insert

NPTF: national pipe thread fine

PFH: phillips flat head

PPH: phillips pan head

PPHTF: phillips pan head thread forming

PRH: phillips round head

PTH: phillips truss head

PTO: power-take-off

RH: right hand

ROPS: roll-over protection system

RRB: rear roller brush

SFH: slotted fillister head

SHH: slotted hex head

SHWH: slotted hex washer head

SPH: slotted pan head

SQH: square head

SRH: slotted round head

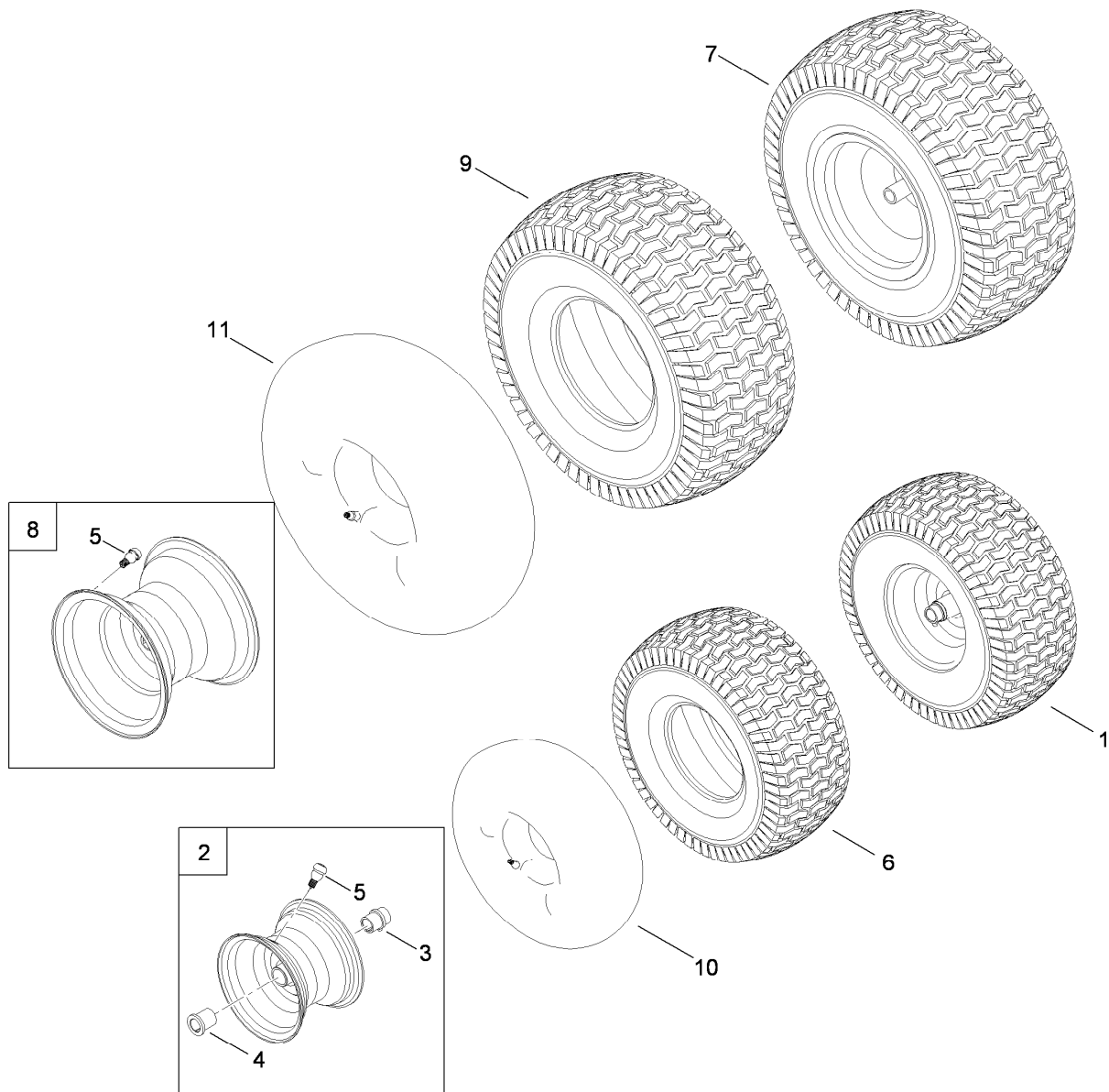
STD: standard

TAP: self tapping

TTH: torx truss head

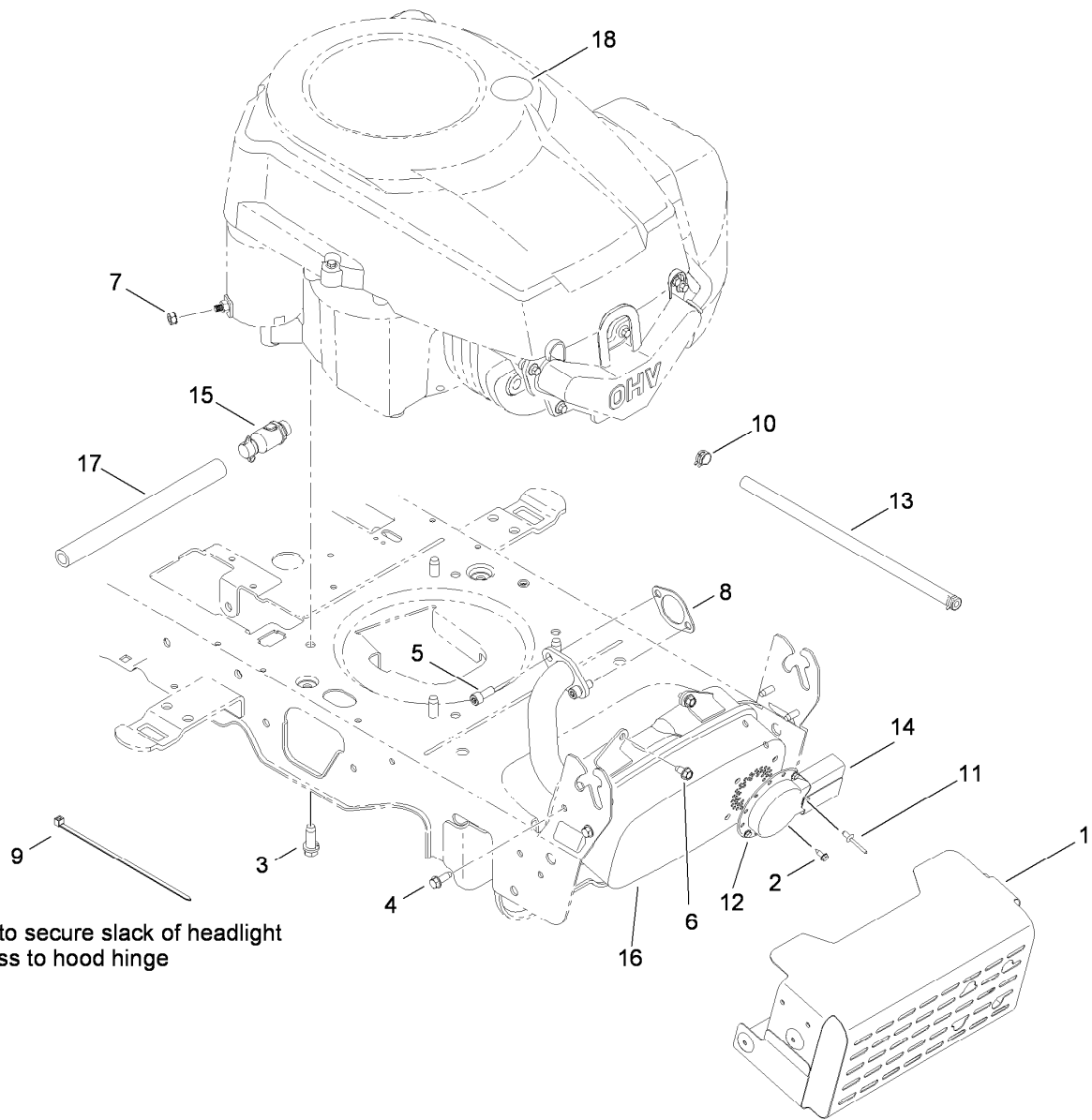
Contents

Wheel and Tire Assembly	4
Muffler and Shield Assembly	5
Steering and Front Axle Assembly	6
Frame, Battery and PTO Assembly	8
Seat, Fender and Deck Lift Assembly	10
Fuel Tank, Hood and Dash Assembly	12
Transmission, Belt and Drive Assembly	14
42 Inch Deck Assembly	16
Transmission Assembly No. 112-6256	18
Attachments and Accessories	20



Wheel and Tire Assembly

Ref.	Part Number	Qty.	Description
1	119-3969	1	Front Wheel And Tire ASM
2	119-3970	1	Rim ASM (W/Bearings)
3	112-0375	1	Bearing-Flange (W/Zerk)
4	112-0331	1	Bearing-Flange
5	112-0503	1	Valve-Air, Tubeless
6	112-0576	1	Tire-Front
7	119-3971	1	Rear Wheel And Tire ASM
8	112-6201	1	Rim-Wheel, Rear
9	112-0713	1	Tire-Multi Trac
10	232-39	1	Tube-Inner
11	93-3893	1	Tube-Inner



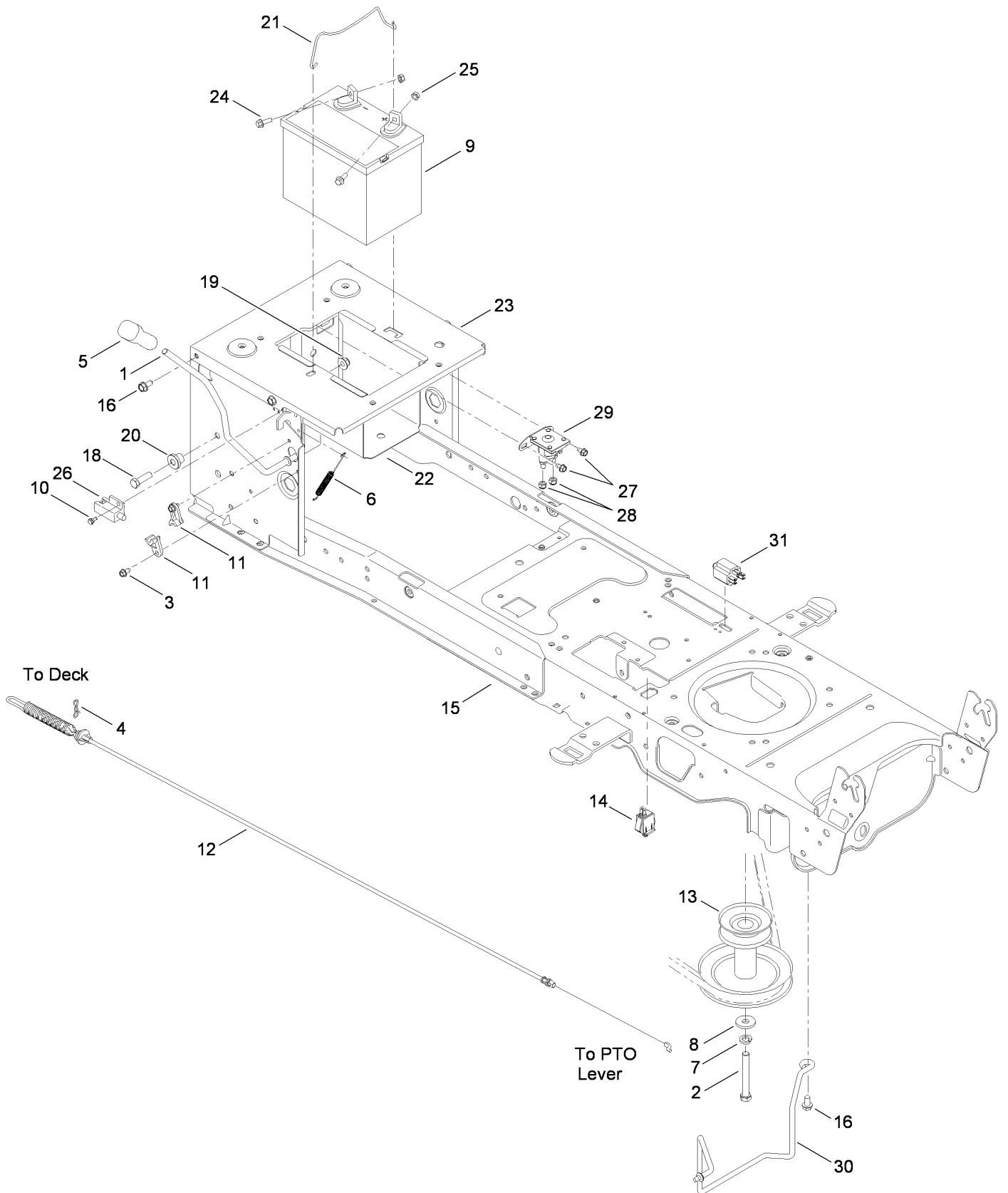
Muffler and Shield Assembly

Ref.	Part Number	Qty.	Description	Ref.	Part Number	Qty.	Description
1	112-6202	1	Shield-Muffler	10	112-0573	1	Clamp-Hose
2	112-0626	1	Screw-HWHTF	11	112-3741	1	Rivet-Pop
3	112-6163	1	Screw-HH, TAP	12	112-0453	1	Deflector-Muffler
4	112-0524	1	Screw-HWHTF	13	112-0720	1	Hose-Fuel
5	112-6012	1	Screw-HSH	14	112-0730	1	Deflector-Muffler, Long
6	112-0659	1	Screw-HWH	15	110-9890	1	Drain-Oil
7	112-0546	1	Nut-Sems	16	119-3973	1	Muffler
8	119-3972	1	Gasket-Exhaust	17	112-0553	1	Hose-Drain
9	112-0527	1	Tie-Cable	18	112-5960	1	Decal-Check Oil

Steering and Front Axle Assembly (continued)

<i>Ref.</i>	<i>Part Number</i>	<i>Qty.</i>	<i>Description</i>	<i>Ref.</i>	<i>Part Number</i>	<i>Qty.</i>	<i>Description</i>
1	112-0631	1	Screw-HH	19	119-3979	1	Bracket-Support, Steering
2	112-0492	1	Screw-HH	20	119-3980	1	RH Axle ASM
3	112-0473	1	Screw-HH	21	119-3981	1	LH Axle ASM
4	119-3974	1	Link-Drag, LH	22	112-5843	1	Screw-HH
5	119-3975	1	Link-Drag, RH	23	112-0611	1	Screw-HH
6	112-0493	1	Nut-Jam	24	112-1095	1	Bolt-HH
7	112-0668	1	Nut-Lock, Flange	25	112-0483	1	Nut-Hex, Lock
8	112-0859	1	Nut-Lock, Flange	26	112-0650	1	Nut-Lock, Flange
9	112-0511	1	Nut-Lock, Flange	27	112-0860	1	Pin-Cotter
10	119-3976	1	Gear-Steering	28	119-3982	1	Axle-Cast
11	112-0863	1	Gear-Pinion, Steering	29	119-3983	1	Block-Steering
12	112-0917	1	Ball Joint ASM	30	112-6136	1	Spacer
13	112-0924	1	Washer-Flat	31	119-3984	1	Spacer
14	112-0925	1	Washer-Flat	32	112-5968	1	Cap-Hub
15	112-6097	1	Shaft-Steering	33	112-6258	1	Washer-Flat
16	119-3977	1	Spacer-Shoulder	34	119-3985	1	Steering Wheel ASM
17	119-3978	1	Spacer	35	112-3734	1	Cap-Wheel, Steering
18	112-6257	1	Bearing-Flange, Hex	36	112-0352	1	Cap-Hub

Frame, Battery and PTO Assembly

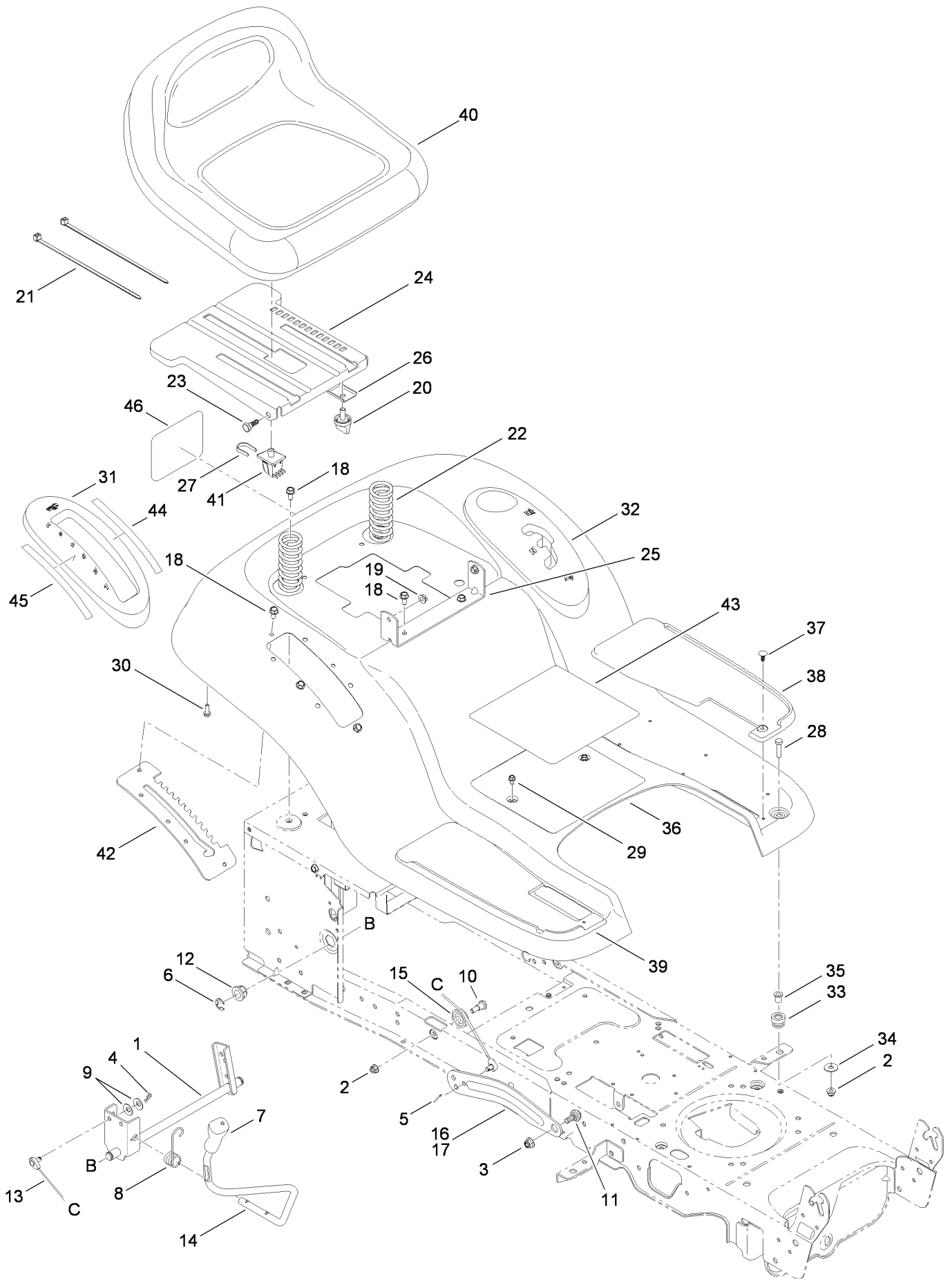


Frame, Battery and PTO Assembly (continued)

<i>Ref.</i>	<i>Part Number</i>	<i>Qty.</i>	<i>Description</i>	<i>Ref.</i>	<i>Part Number</i>	<i>Qty.</i>	<i>Description</i>
1	119-3986	1	PTO Handle ASM	16	112-6070	1	Screw-TAP
2	119-3987	1	Bolt	18	112-0557	1	Screw-HH
3	112-0524	1	Screw-HWHTF	19	112-0668	1	Nut-Lock, Flange
4	112-0990	1	Pin-Cotter	20	112-0661	1	Spacer-Shoulder
5	119-3988	1	Grip-Handle	21	112-0581	1	Rod-Holddown, Battery
6	119-3989	1	Spring-Extension	22	112-0570	1	Tray-Battery
7	112-0428	1	Washer-Lock	23	112-6209	1	Bracket-Frame, Seat
8	112-0380	1	Washer-Flat	24	119-3994	1	Bolt
9	112-0425	1	Battery-245, Cca (Dry Flat Top)	25	112-0546	1	Nut-Sems
10	112-6206	1	Bolt-Shoulder	26	112-6210	1	Switch-Interlock, No/Nc
11	119-3990	1	Bearing-PTO	27	112-6022	1	Screw-TAP
12	119-3991	1	Cable-Engagement, Deck	28	112-0636	1	Nut-Lock, Flange
13	112-0333	1	Pulley-Engine	29	112-6073	1	Solenoid-12V, 2 Post 2 Tab
14	119-3992	1	Switch-Plunger, Snap Mount	30	119-3995	1	Rod-Keeper
15	119-3993	1	Lower Frame ASM	31	119-3996	1	Switch-3 Pole
				99	119-3997	1	Harness-Wiring ●

● Not illustrated

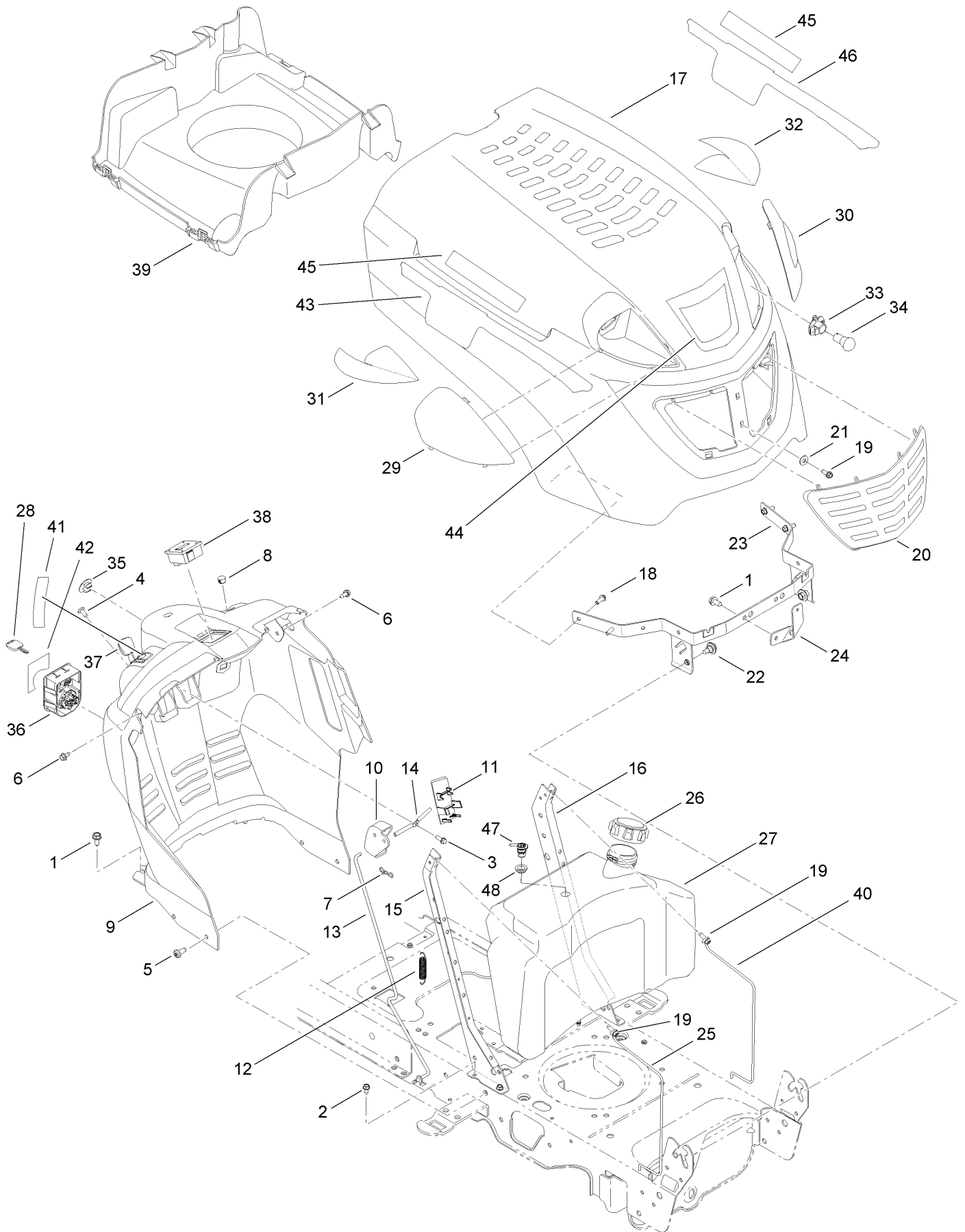
Seat, Fender and Deck Lift Assembly



Seat, Fender and Deck Lift Assembly (continued)

<i>Ref.</i>	<i>Part Number</i>	<i>Qty.</i>	<i>Description</i>	<i>Ref.</i>	<i>Part Number</i>	<i>Qty.</i>	<i>Description</i>
1	112-5969	1	Lift Shaft ASM	24	112-6214	1	Bracket-Mount, Seat
2	112-0650	1	Nut-Lock, Flange	25	112-6217	1	Bracket-Pivot, Seat
3	112-0668	1	Nut-Lock, Flange	26	112-6216	1	Bracket-Knob, Adjustment
4	112-0459	1	Pin-Cotter	27	119-8400	1	Clip-Retension
5	112-0990	1	Pin-Cotter	28	112-0373	1	Screw-HH
6	112-0586	1	Ring-E	29	112-0524	1	Screw-HWHTF
7	112-0585	1	Grip-Handle	30	112-0509	1	Screw-TAP
8	112-0477	1	Spring-Torsion	31	112-6226	1	Cover-Lift, Lever
9	112-0660	1	Washer-Spring	32	112-6111	1	Cover-Holder (W/Cup)
10	112-0443	1	Bolt-Shoulder	33	112-3732	1	Grommet
11	112-0669	1	Bolt-Shoulder	34	112-0582	1	Washer-Flat
12	112-0347	1	Bearing-Flange	35	112-3733	1	Spacer
13	112-0374	1	Cable-Lift	36	119-8401	1	Fender
14	119-3998	1	Handle-Lift	37	112-5988	1	Clip-Ratchet
15	119-3999	1	Pulley-Cable	38	119-8402	1	Pad-Foot, LH
16	119-8471	1	Arm-Lift, RH	39	119-8403	1	Pad-Foot, RH
17	119-8472	1	Arm-Lift, LH	40	112-6231	1	Seat
18	112-6070	1	Screw-TAP	41	119-8404	1	Switch-Seat
19	112-0511	1	Nut-Lock, Flange	42	119-8405	1	Bracket-Lift
20	112-0409	1	Knob	43	119-8475	1	Decal-Safety
21	112-0527	1	Tie-Cable	44	119-8477	1	Decal-HOC
22	121-5737	1	Spring-Compression	45	119-8478	1	Decal-PTO
23	112-0575	1	Bolt-Shoulder	46	119-9050	1	Decal-Toro

Fuel Tank, Hood and Dash Assembly



Fuel Tank, Hood and Dash Assembly (continued)

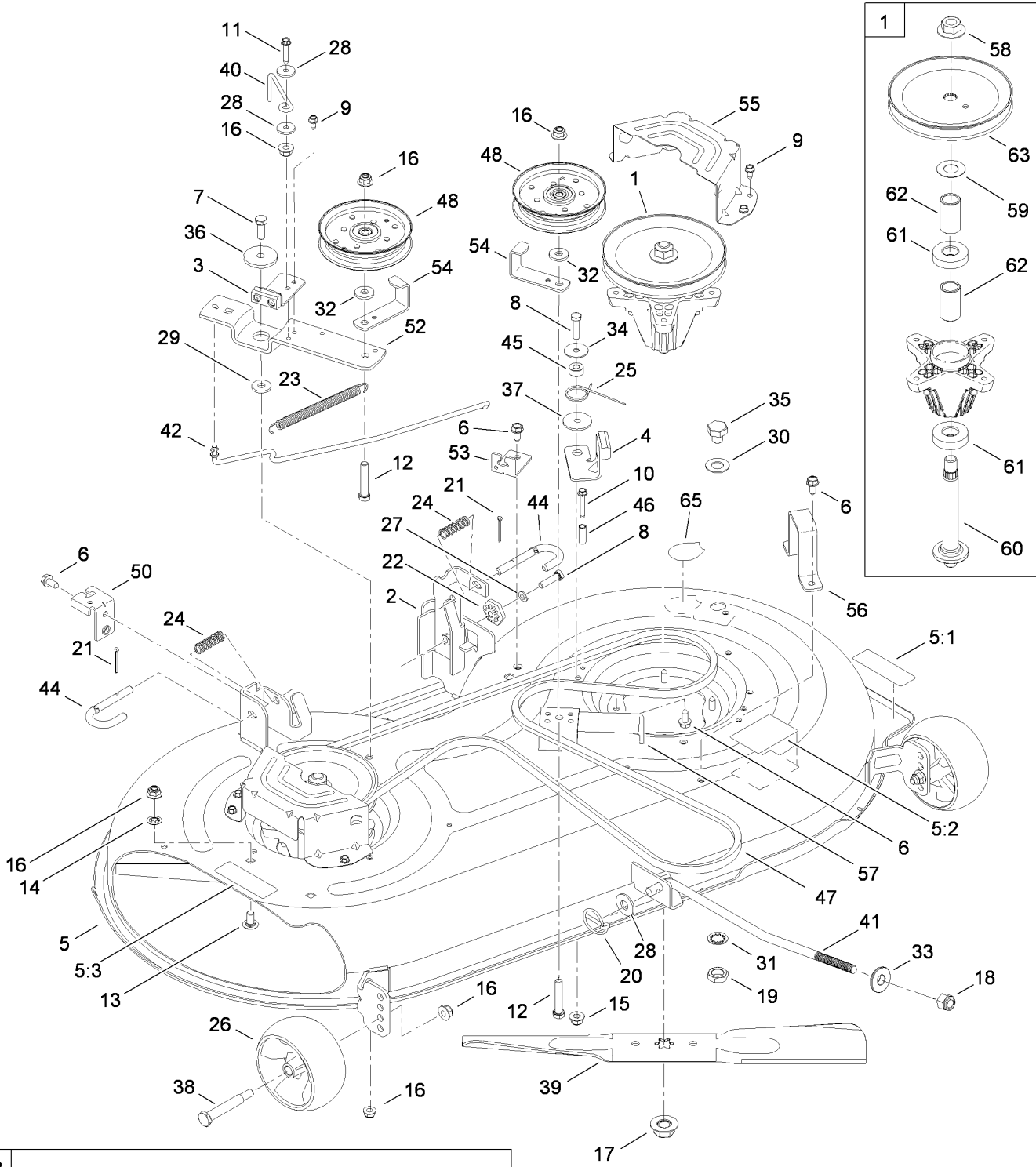
<i>Ref.</i>	<i>Part Number</i>	<i>Qty.</i>	<i>Description</i>	<i>Ref.</i>	<i>Part Number</i>	<i>Qty.</i>	<i>Description</i>
1	112-6070	1	Screw-TAP	25	112-0678	1	Rod-Support
2	112-0524	1	Screw-HWHTF	26	119-9118	1	Cap-Fuel
3	112-0509	1	Screw-TAP	27	119-9121	1	Tank-Fuel
4	112-0550	1	Screw-TAP	28	112-6115	1	Key-Ignition
5	112-0563	1	Screw-TAP	29	112-0447	1	Lens-RH
6	112-0659	1	Screw-HWH	30	112-0446	1	Lens-LH
7	112-0990	1	Pin-Cotter	31	112-5810	1	Reflector-RH
8	119-8406	1	Cap-Plug, Hole	32	112-5811	1	Reflector-LH
9	112-6123	1	Dash-Manual, PTO	33	112-0408	1	Socket-Headlight
10	119-8407	1	Lever-Dash	34	112-0402	1	Lamp-12V, Miniature
11	119-8408	1	Cover-Cruise	35	112-0535	1	Plug-Choke
12	119-8409	1	Spring-Extension	36	119-8412	1	Module-Switch, Ignition
13	119-8410	1	Rod-Latch	37	112-6253	1	Cable-Throttle/Choke
14	112-0604	1	Rod-Lever, Bent	38	112-6117	1	Meter-Hour
15	112-6262	1	Support-Dash, Plate (RH)	39	112-6124	1	Plenium-Hood
16	112-6263	1	Support-Dash, Plate (LH)	40	119-9117	1	Rod-Support, LH Tank
17	112-0444	1	Hood	41	112-6283	1	Decal-Throttle
18	119-8411	1	Screw	42	119-8479	1	Decal-Switch, Ignition
19	112-0587	1	Screw-TAP	43	112-5953	1	Decal-Hood, Right Side
20	112-0381	1	Grill	44	112-3716	1	Decal-Hood
21	112-5989	1	Washer-Flat	45	112-6287	1	Decal
22	112-6128	1	Bolt-Shoulder, TAP	46	112-5952	1	Decal-Hood, Left Side
23	112-5985	1	Bracket-Pivot	47	125-1798	1	Valve-Rollover, Grommet
24	112-5986	1	Bracket-Support, Hood	48	125-1799	1	Grommet-Rubber

Transmission, Belt and Drive Assembly (continued)

<i>Ref.</i>	<i>Part Number</i>	<i>Qty.</i>	<i>Description</i>	<i>Ref.</i>	<i>Part Number</i>	<i>Qty.</i>	<i>Description</i>
1	112-6256	1	Transmission Drive ASM	44	112-0301	1	Belt-Drive, Variable Speed
2		1	Variable Speed Pulley ASM	45	112-0379	1	Pulley-V (W/Hub)
3	119-8414	1	Shift Lever ASM	46	112-0313	1	Pulley-Idler, Flat
4	112-0714	1	Screw-Hex	47	112-6149	1	Pulley-Idler, Y Type
5	112-0626	1	Screw-HWHTF	48	119-8426	1	Bracket-Adjustment, Shift
6	112-6070	1	Screw-TAP	49	119-8427	1	Bracket-Idler, Center Double
7	112-0469	1	Screw-TAP	50	119-8428	1	Bracket-Shift
8	112-5828	1	Screw-HH	51	119-8429	1	Brake Control ASM
9	112-6009	1	Screw-HH	52	112-0680	1	Pedal ASM
10	119-8415	1	Screw	53	121-5739	1	Bracket ASM
11	112-0493	1	Nut-Jam	54	112-0556	1	Screw-HWH
12	112-0343	1	Nut-Hex	55	119-8431	1	Pin-Clevis
13	112-0650	1	Nut-Lock, Flange	56	112-0668	1	Nut-Lock, Flange
14	112-0385	1	Nut-Lock, Flange	57	112-0990	1	Pin-Cotter
15	112-0451	1	Nut-Flange	58	119-8432	1	Cap-Push
16	112-0459	1	Pin-Cotter	59	119-8433	1	Spring-Extension
17	112-0568	1	Pin-Cotter	60	119-8434	1	Pad-Pedal, Brake
18	112-0639	1	Pin-Hair	61	121-5740	1	Pad
19	112-6235	1	Hub-Pulley, Spline	62	112-0435	1	Washer-Bell
20	112-0514	1	Knob-Shift	63	112-0442	1	Bolt-Shoulder
21	112-0306	1	Ball Joint ASM	64	119-8435	1	Bearing-Flange
22	112-0602	1	Switch-Spring, Short	65	112-0387	1	Bearing-Flange, Hex (Split)
23	112-0625	1	Plate-Insulator	66	119-8436	1	Latch-Cruise
24	112-0670	1	Sleeve	67	119-8437	1	Bracket-Strap, Pedal Support
25	112-0683	1	Sleeve	68	119-8438	1	Bracket-Strap, Pedal Support
26	119-8416	1	Bearing-Plate, Shift	69	119-8439	1	Bracket-Pedal, Brake
27	119-8417	1	Spring-Extension	70	119-8440	1	Bracket-Plate, Reinforcement
28	119-9124	1	Spring-Extension	71	119-8441	1	Bracket-Transmission
29	112-0357	1	Clip-Spring, Shifter	72	121-5741	1	Idler Bracket ASM
30	112-0350	1	Spring-Extension	73	112-0395	1	Screw-HWH
31	112-0407	1	Washer-Flat	74	112-0557	1	Screw-HH
32	112-0415	1	Washer-Lock	75	112-0584	1	Spacer-Shoulder
33	112-0579	1	Washer-Flat	76	119-8470	1	Pulley ASM
34	112-0435	1	Washer-Bell	77	119-8443	1	Belt Keeper ASM
35	112-0423	1	Bearing-Ball	78	119-9122	1	Bracket ASM
36	112-6128	1	Bolt-Shoulder, TAP	79	112-0551	1	Screw-HH
37	119-8419	1	Spacer-Shoulder	80	112-0843	1	Screw-HWH
38	119-8420	1	Rod-Bypass, Foot Pedal	81	112-5996	1	Cup-Bearing
39	121-5738	1	Rod-Adjustment, Idler	82	112-0500	1	Washer-Flat
40	119-8422	1	Rod-Brake	83	112-0352	1	Cap-Hub
41	119-8423	1	Rod-Shift				
42	112-5831	1	Spacer				
43	119-8424	1	Belt-V, Poly				

● Not serviced separately

42 Inch Deck Assembly



42 Inch Deck Assembly (continued)

<i>Ref.</i>	<i>Part Number</i>	<i>Qty.</i>	<i>Description</i>	<i>Ref.</i>	<i>Part Number</i>	<i>Qty.</i>	<i>Description</i>
1	119-8445	1	Spindle Pulley ASM	33	119-8455	1	Washer-Bellville
2	112-0413	1	LH Hanger Bracket ASM	34	112-0500	1	Washer-Flat
3	119-8446	1	Deck Brake ASM	35	112-0577	1	Plug
4	119-8447	1	Deck Brake ASM	36	112-0584	1	Spacer-Shoulder
5	119-8448	1	Deck ASM	37	112-0410	1	Spacer-Shoulder
5:1	112-6284	1	Decal-Deck	38	112-0325	1	Bolt-Shoulder
5:2	119-8476	1	Decal-Belt Routing	39	119-8456	1	Blade-2 In 1
5:3	112-6285	1	Decal-Chute	40	119-9140	1	Rod-Keeper, Belt
6	112-6070	1	Screw-TAP	41	119-8457	1	Rod-Lift, Deck
7	112-0492	1	Screw-HH	42	119-8458	1	Rod-Brake
8	112-0373	1	Screw-HH	43	119-8459	1	Chute ASM
9	112-0524	1	Screw-HWHTF	44	112-0436	1	Pin-Handle, Deck Release
10	121-5742	1	Washer-Flat	45	121-5743	1	Shoulder-Spacer
11	112-0587	1	Screw-TAP	46	112-0644	1	Spacer
12	112-0421	1	Screw-HH	47	112-0340	1	Belt - V
13	112-0452	1	Bolt-CARR	48	112-0314	1	Pulley-Idler
14	112-0440	1	Nut-Push	49	119-8461	1	Pin-Hinge
15	112-0650	1	Nut-Lock, Flange	50	119-8462	1	Bracket-Cable, Deck Engage
16	112-0668	1	Nut-Lock, Flange	51	119-8463	1	Spring-Torsion
17	112-0330	1	Nut-Lock, Flange	52	119-8464	1	Bracket-Pivot, Idler
18	119-8449	1	Nut	53	119-8465	1	Bracket-Cable, Deck Engage
19	112-0351	1	Nut-Hex	54	119-8466	1	Bracket-Guard, Belt
20	119-8450	1	Pin-Lynch	55	119-8467	1	Cover-Belt
21	112-0412	1	Pin-Cotter	56	119-8468	1	Stop-LH
22	112-0327	1	Gear-Adjustment, Deck	57	119-8469	1	Bracket-Support, Idler
23	119-8473	1	Spring-Extension	58	112-0330	1	Nut-Lock, Flange
24	119-8451	1	Spring-Compression	59	112-0813	1	Washer-Thrust
25	121-5737	1	Spring-Compression	60	112-6278	1	Shaft-Spindle
26	112-0677	1	Wheel-Deck, Front	61	112-0377	1	Bearing-Ball
27	112-0366	1	Washer-Lock	62	112-6252	1	Spacer
28	119-8453	1	Washer-Flat	63	112-0613	1	Pulley-Deck
29	119-8454	1	Washer-Flat	64	119-9069	1	Bracket-Chute
30	112-0339	1	Washer-Flat	65	119-8474	1	Decal-Deck Wash System
31	112-0643	1	Washer-Lock				
32	112-0541	1	Washer-Flat				

Transmission Assembly No. 112-6256 (continued)

<i>Ref.</i>	<i>Part Number</i>	<i>Qty.</i>	<i>Description</i>	<i>Ref.</i>	<i>Part Number</i>	<i>Qty.</i>	<i>Description</i>
1	112-0806	1	Shift Fork ASM	14	112-0817	1	Disc-Brake
2	112-6084	1	Drive Shaft ASM	15	112-6089	1	Gear-Bevel, 42T (Spline)
3	119-9141	1	Differential ASM	16	112-6090	1	Collar-Cluster
4	112-6086	1	Upper Housing ASM	17	112-6091	1	Seal
5	112-0832	1	Brake ASM	18	112-0748	1	Washer-Flat
6	112-6087	1	Screw-TAP	19	112-0750	1	Washer-Flat
7	112-0698	1	Screw-HWH	20	112-0745	1	Washer-Flat
8	112-0839	1	Screw-TAP	21	112-0773	1	Washer-Thrust
9	112-0741	1	Puck-Brake	22	112-0755	1	Washer-Thrust
10	112-6088	1	Housing-Lower	23	112-0794	1	Bearing-Flange
11	112-0801	1	Spring-Detent	24	112-0795	1	Bearing-Flange
12	112-6092	1	Bearing-Sleeve	25	112-0800	1	Seal
13	112-0799	1	Ball-Detent				

Attachments and Accessories

For 13AX90RS848 LX423 Lawn Tractor

Product Name	Model/Part
42 Inch Mulch Kit	117-0058
42 inch Two-Stage Snowthrower	190-032-101
46 inch Front Blade	190-833-000
Twin Bagger for 42 inch and 46 inch Lawn Tractors	19A30003000
10 cu. ft. Poly Dump Cart	79991
17 cu. ft. Poly Dump Cart	79992
125 lb. Tow Spreader	79993
42 inch Sweeper	79994
48 inch Dethatcher	79995
40 inch Spike Aerator	79996
Stake Side Kit	79997

Notes:

Notes:

Notes:



Count on it.