



**Count on it.**

**Parts Catalog**

**GrandStand® Mower**

**With 48in TURBO FORCE® Cutting Unit**

**Model No. 74578—Serial No. 313000001 and Up**



# Ordering Replacement Parts

To order replacement parts, please supply the part number, the quantity, and the description of each part desired.

## Understanding Reference Numbers

Each identified part in an illustration has a reference number. The reference number for a part also appears in the parts list, along with other information about the part.

This catalog uses two special reference number formats, one to indicate parts in a service assembly and another to indicate the quantity of a given part in an illustration.

## Service Assembly Reference Numbers

Parts in service assemblies have reference numbers in the form a:b. The a represents the reference number of the entire service assembly and the b represents a sequential number unique to each part within the service assembly.

For example, a wheel assembly might be identified by reference number 6, the tire by 6:1, the valve by 6:2, and the wheel by 6:3. When you order the assembly identified by reference number 6, you receive all parts identified by reference numbers 6:1, 6:2, and 6:3. However, you may also order any part individually. Reference numbers of this type appear in illustration and in parts lists.

## Reference Numbers Indicating Quantity

In an illustration, if a reference number indicates more than one part, the reference number has the form nX y. The n represents the quantity of the part, the X is the multiplication symbol, and the y represents the reference number.

For example, in an illustration, the reference number 2X 37 means that two of the parts identified by reference number 37 are indicated.

# List of Abbreviations

**AR:** as required

**ASM:** assembly

**BBC:** blade brake control

**BHTF:** button head thread forming

**CARR:** carriage

**CCW:** counter clockwise

**CW:** clockwise

**DEG:** degrees

**DPA:** Dual Point Adjustment

**ECM:** electronic control module

**EXT:** external

**FH:** flat head

**GA:** gauge

**HD:** heavy-duty

**HF:** hex flange

**HH:** hex head

**HHF:** hex head flange

**HHFTF:** hex head flange thread forming

**HJ:** hex jam

**HLH:** hex lag head

**HOC:** height-of-cut

**HSBH:** hex socket button head

**HSFH:** hex socket flat head

**HSH:** hex socket head

**HWH:** hex washer head

**HWHTF:** hex washer head thread forming

**HYD:** hydraulic

**LH:** left hand

**LP:** Liquefied Petroleum Gas

**LPG:** Liquefied Petroleum Gas

**NI:** nylon insert

**NPTF:** national pipe thread fine

**PFH:** phillips flat head

**PPH:** phillips pan head

**PPHTF:** phillips pan head thread forming

**PRH:** phillips round head

**PTH:** phillips truss head

**PTO:** power-take-off

**RH:** right hand

**ROPS:** roll-over protection system

**RRB:** rear roller brush

**SFH:** slotted fillister head

**SHH:** slotted hex head

**SHWH:** slotted hex washer head

**SPH:** slotted pan head

**SQH:** square head

**SRH:** slotted round head

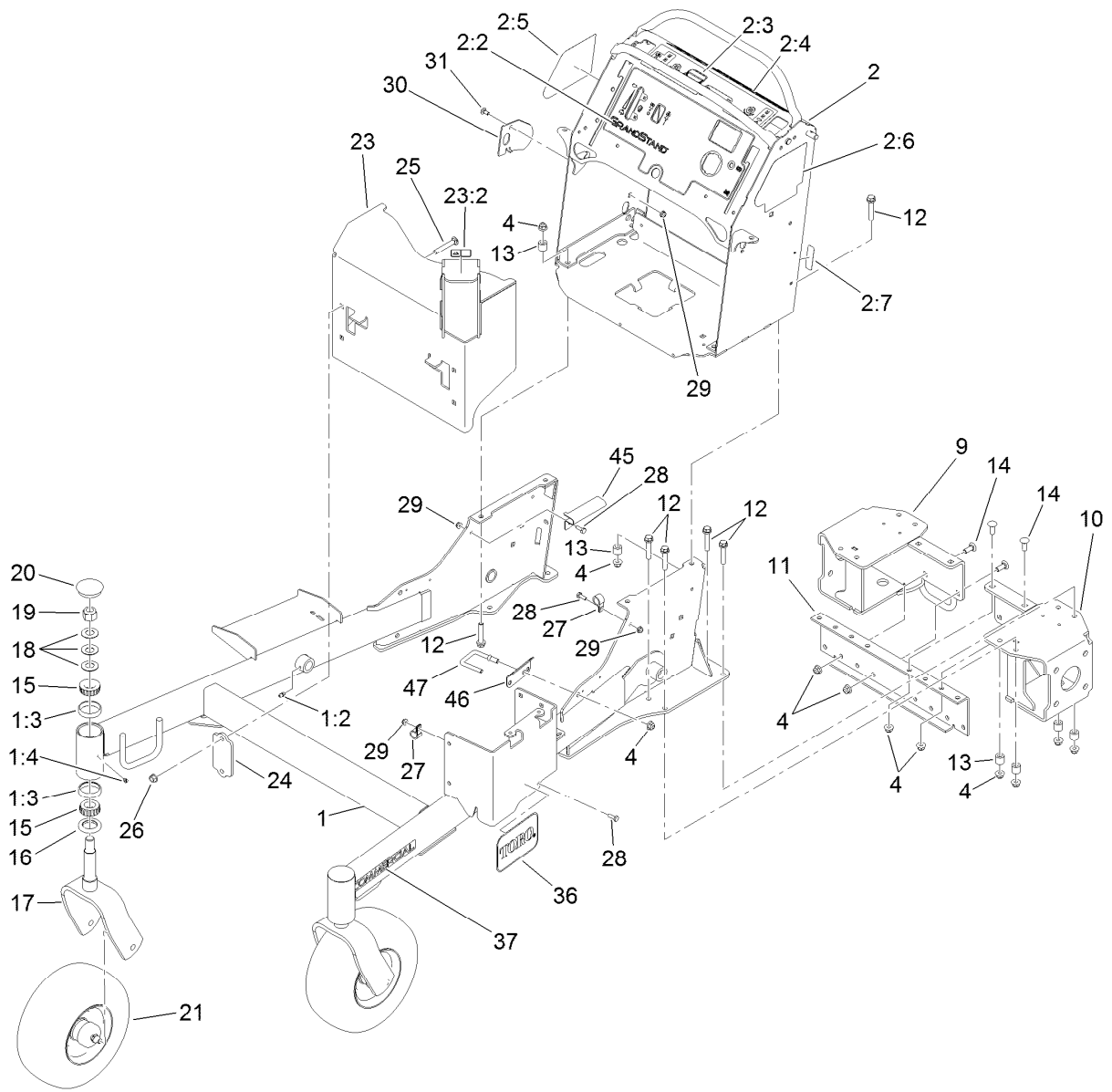
**STD:** standard

**TAP:** self tapping

**TTH:** torx truss head

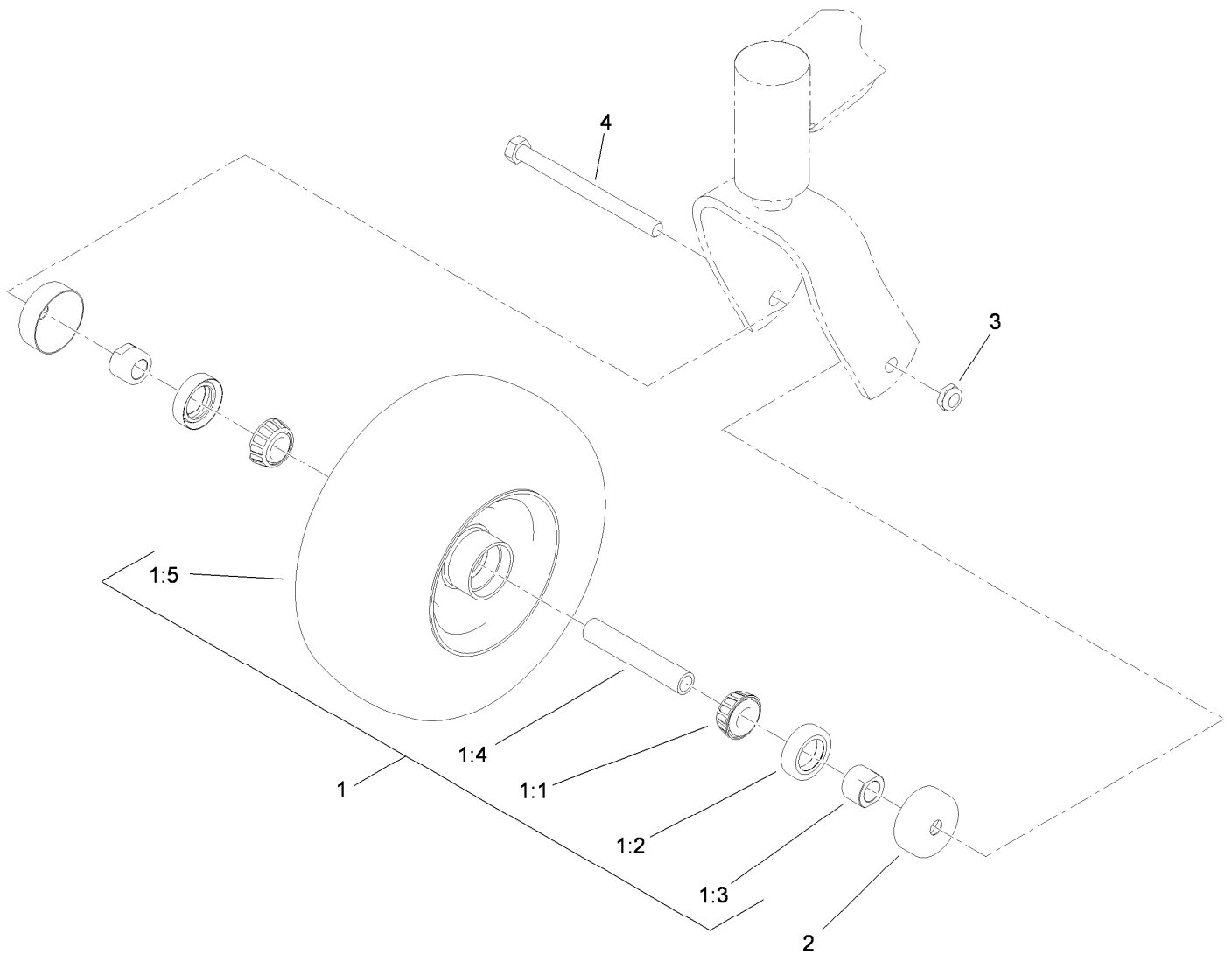
# Contents

Frame Assembly.....	4
Wheel and Bearing Assembly No. 112-3810.....	5
Parking Brake Assembly.....	6
Decklift Assembly.....	7
Platform Assembly.....	9
Cushion Assembly No. 119-8742.....	10
Platform Assembly No. 117-9640.....	11
Ground Drive Assembly.....	12
Hydraulic Motor Assembly No. 114-0549.....	13
Pump Idler Assembly.....	14
Hydraulic System Assembly.....	15
Hydraulic Pump Assembly No. 125-4672.....	16
Control Assembly.....	17
Engine Assembly.....	18
Fuel Tank Assembly.....	19
Vent Hose Assembly.....	20
Electrical Assembly.....	21
Deck Assembly.....	23
Deck Decal Assembly No. 120-6401.....	24
Idler Arm Assembly No. 120-6410.....	25
Idler Adjust Assembly No. 117-0446.....	26
Spindle Assembly No. 119-8560.....	27
Deflector Assembly No. 120-2451.....	28
Attachments and Accessories.....	29



## Frame Assembly

Ref.	Part Number	Qty.	Description	Ref.	Part Number	Qty.	Description
1	119-8700	1	Front Frame ASM	18	1-633508	6	Washer-Bellville
1:2	302-5	4	Fitting-Grease	19	3296-51	2	Nut-Lock, NI
1:3	1-543508	4	Cup-Bearing	20	103-4882	2	Cap-Grease
1:4	1-811010	2	Plug	21	112-3810	2	Wheel/Tire And Bearing ASM
2	120-6460	1	Control Tower ASM	23	116-8739	1	Muffler Guard ASM
2:2	120-6464	1	Decal-Control Panel	23:2	106-5517	1	Decal-Warning, Hot Surface
2:3	119-8727	1	Decal-Opc	24	119-7303-01	2	Bracket-Mounting, Guard
2:4	117-3626	1	Decal-Warning	25	3231-31	4	Screw-CARR
2:5	117-0456	1	Decal-HOC	26	32128-21	4	Nut-HF
2:6	121-5972	1	Decal-Aid, Service	27	2412-87	2	Clamp-Cable
2:7	116-3267	1	Decal-Fuse	28	321-4	3	Screw-HH
4	104-8301	22	Nut-Flange, NI	29	104-7201	4	Nut-HF
9	119-7222-01	1	RH Motor Mount ASM	30	119-7312	1	Plate-Striker
10	119-7220-01	1	LH Motor Mount ASM	31	3229-11	1	Screw-CARR
11	119-7224-01	1	Mount-Motor, Center	36	68-3640	1	Decal
12	108-3742	12	Screw-HHF	37	117-3591	2	Decal-Commercial
13	121-1760	12	Spacer	45	116-5067	1	Bracket-Hose, Fuel (Double)
14	3231-22	8	Screw-CARR	46	121-6003	2	Guard-Hose
15	1-543509	4	Bearing-Roller, Tapered	47	121-6004	2	Guide-Hose
16	1-543511	2	Seal-Grease				
17	103-8618-01	2	Fork-Caster				

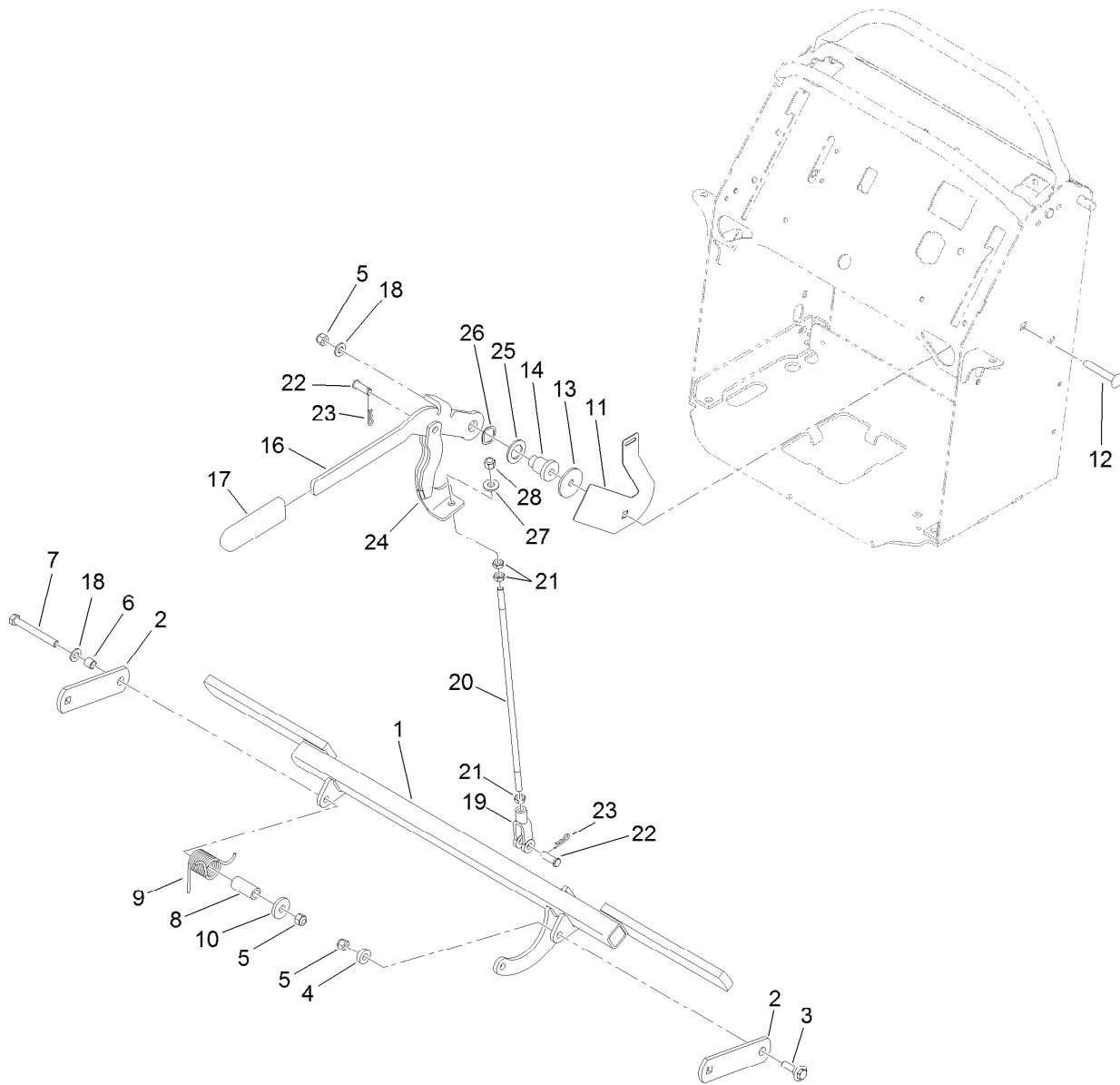


## Wheel and Bearing Assembly No. 112-3810

Ref.	Part Number	Qty.	Description
1		1	Wheel And Bearing ASM ●
1:1	1-633585	2	Bearing-Cone, Taper
1:2	103-0063	2	Seal-Caster
1:3	103-3051	2	Spacer-Nut ■
1:4	103-3157	1	Axle-Caster
1:5	110-9965	1	Wheel And Tire ASM
2	103-2768	2	Guard-Seal
3	3296-45	1	Nut-Lock, NI
4	325-20	1	Screw-HH

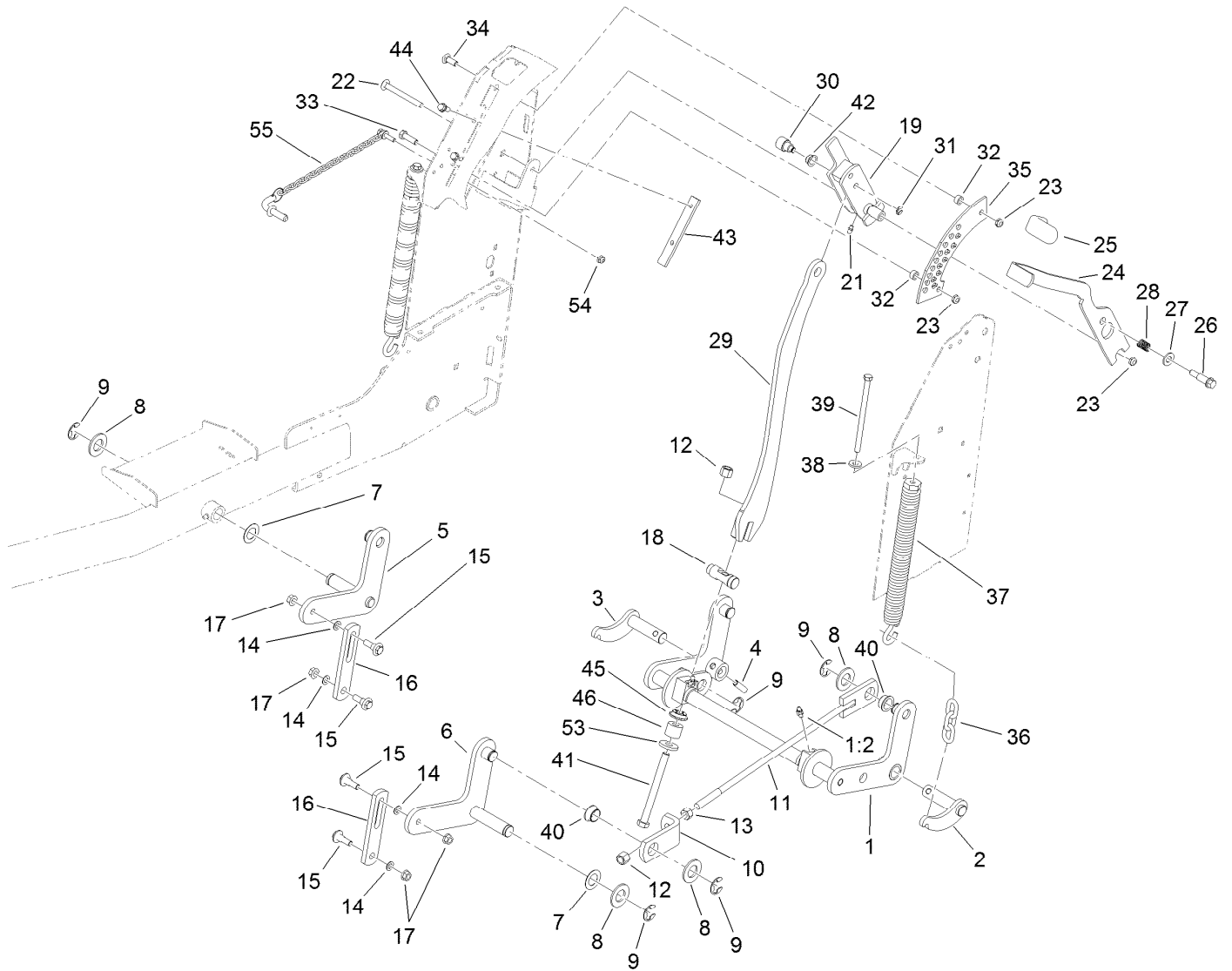
● Not serviced separately

■ Use Pro-Lock, Nut Type (P/N 1-840022, .5ml tube) on spacer nut



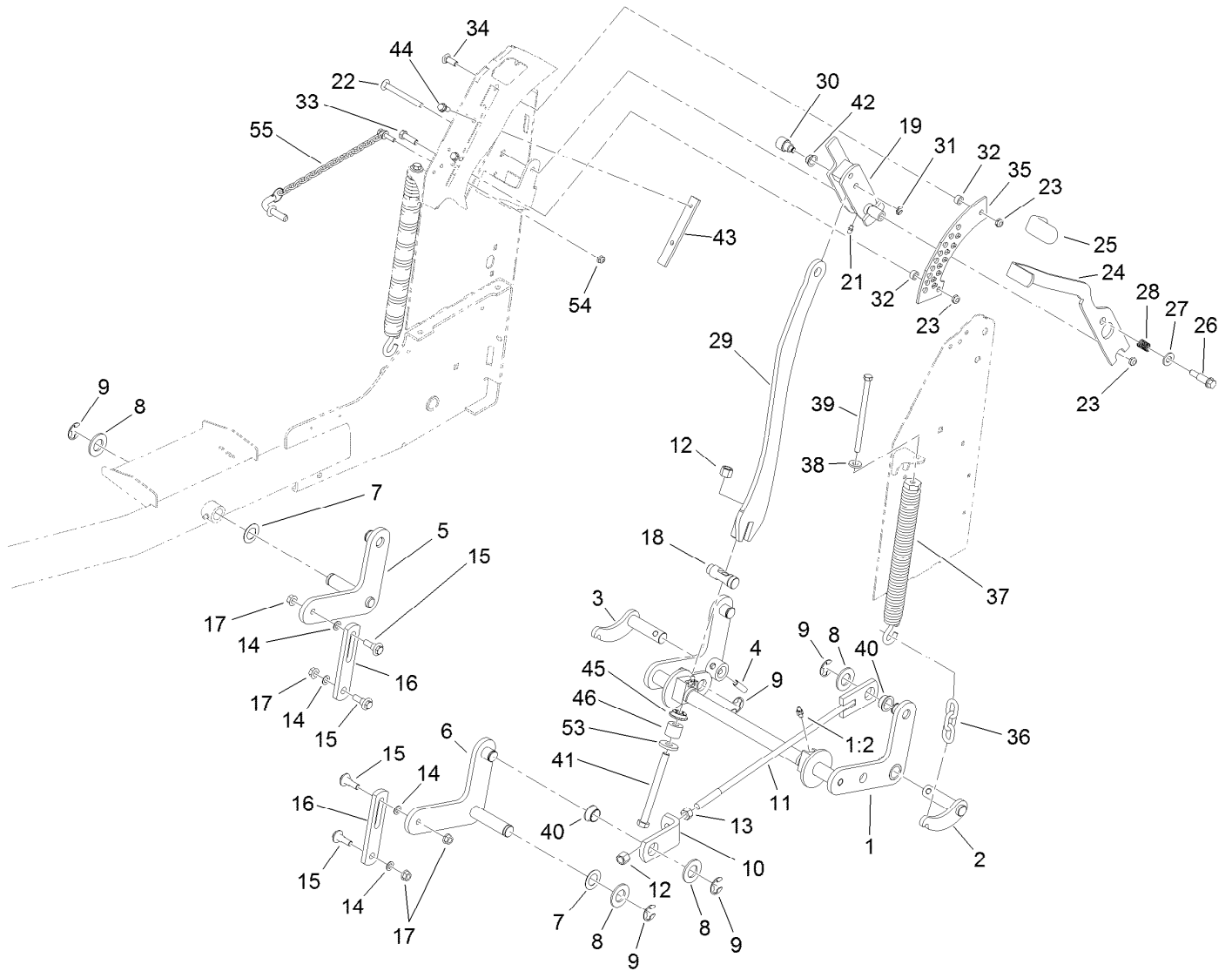
## Parking Brake Assembly

Ref.	Part Number	Qty.	Description	Ref.	Part Number	Qty.	Description
1	119-8730-03	1	Brake Bar ASM	16	117-5759-03	1	Lever-Brake
2	114-5186-01	2	Support-Brake	17	1-633268	1	Grip-Lever
3	614672	1	Bolt-Shoulder	18	3256-24	2	Washer-Flat
4	5-0652	1	Spacer	19	1-633131	1	Yoke-Linkage, Brake
5	104-8301	3	Nut-Flange, NI	20	119-7244	1	Rod-Brake
6	117-9684	1	Spacer	21	3220-3	3	Nut-HJ
7	323-20	1	Screw-HH	22	283-2	2	Pin-Clevis
8	117-9683	1	Spacer	23	3290-307	2	Pin-Hair
9	117-9682	1	Spring-Torsion	24	119-8780-03	1	Brake Arm ASM
10	1-373034	1	Washer	25	1-303007	1	Washer
11	117-0452-03	1	Plate-Switch, Brake	26	106-5335	1	Washer-Wave
12	3231-44	1	Screw-CARR	27	98-5975	1	Washer-Belleville
13	63-7400	1	Washer-Rebound	28	3296-6	1	Nut-Lock
14	106-3214	1	Mount-Pulley				



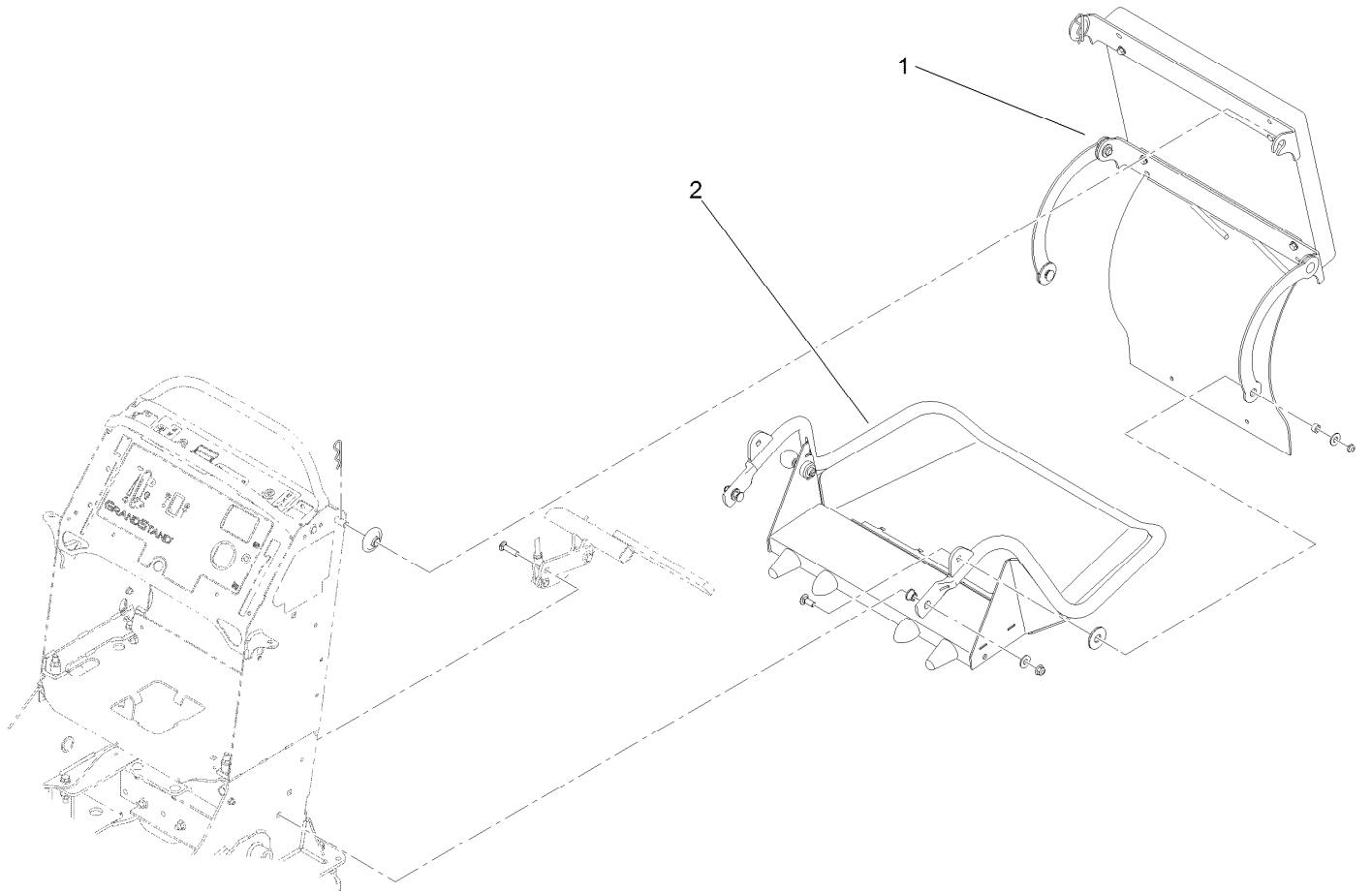
## Decklift Assembly

Ref.	Part Number	Qty.	Description	Ref.	Part Number	Qty.	Description
1	116-3103	1	Rear Crossshaft ASM	22	3231-24	1	Screw-CARR
1:2	302-11	2	Fitting-Lube, 45 DEG	23	3296-59	3	Nut-Lock, NI
2	116-3104-01	1	LH Pivot Shaft ASM	24	114-1878-03	1	Lever-HOC
3	116-3105-01	1	RH Pivot Shaft ASM	25	1-633268	1	Grip-Lever
4	116-3107	2	Pin-Spiral	26	66-0561	1	Screw-Shoulder
5	121-5994-01	1	RH Lift Arm ASM	27	3256-26	1	Washer-Flat
6	121-5993-01	1	LH Lift Arm ASM	28	65-9940	1	Spring
7	110-6767	2	Washer-Thrust	29	116-2939	1	Bar-Lift
8	3256-29	6	Washer-Flat	30	116-3048	1	Hub-Pivot
9	32151-103	7	Ring-Retaining, EXT	31	32151-47	1	Ring-Retaining
10	116-2901	2	Bracket-Lift Rod	32	111044	2	Spacer
11	116-8676	2	Lift Rod ASM	33	323-7	1	Screw-HH
12	3296-23	3	Nut-Lock, NI	34	3231-22	1	Screw-CARR
13	3217-9	2	Nut-HH	35	114-5307	1	Bracket-HOC
14	40-1940	4	Washer	36	103-9859	2	Chain-Decklift, Front
15	109-9840	4	Screw-Shoulder, HHF	37	116-0886	2	Extension Spring ASM
16	117-0519	2	Link-Lift	38	98-5975	2	Washer-Belleville
17	32128-21	4	Nut-HF	39	323-58	2	Bolt-TAP, HH
18	114-5274	1	Pin-HOC	40	116-2909	4	Bearing-Flange
19	114-3512	1	HOC Handle ASM	41	325-22	1	Screw-HH
21	302-5	1	Fitting-Grease	42	116-3047	1	Bearing-Flange



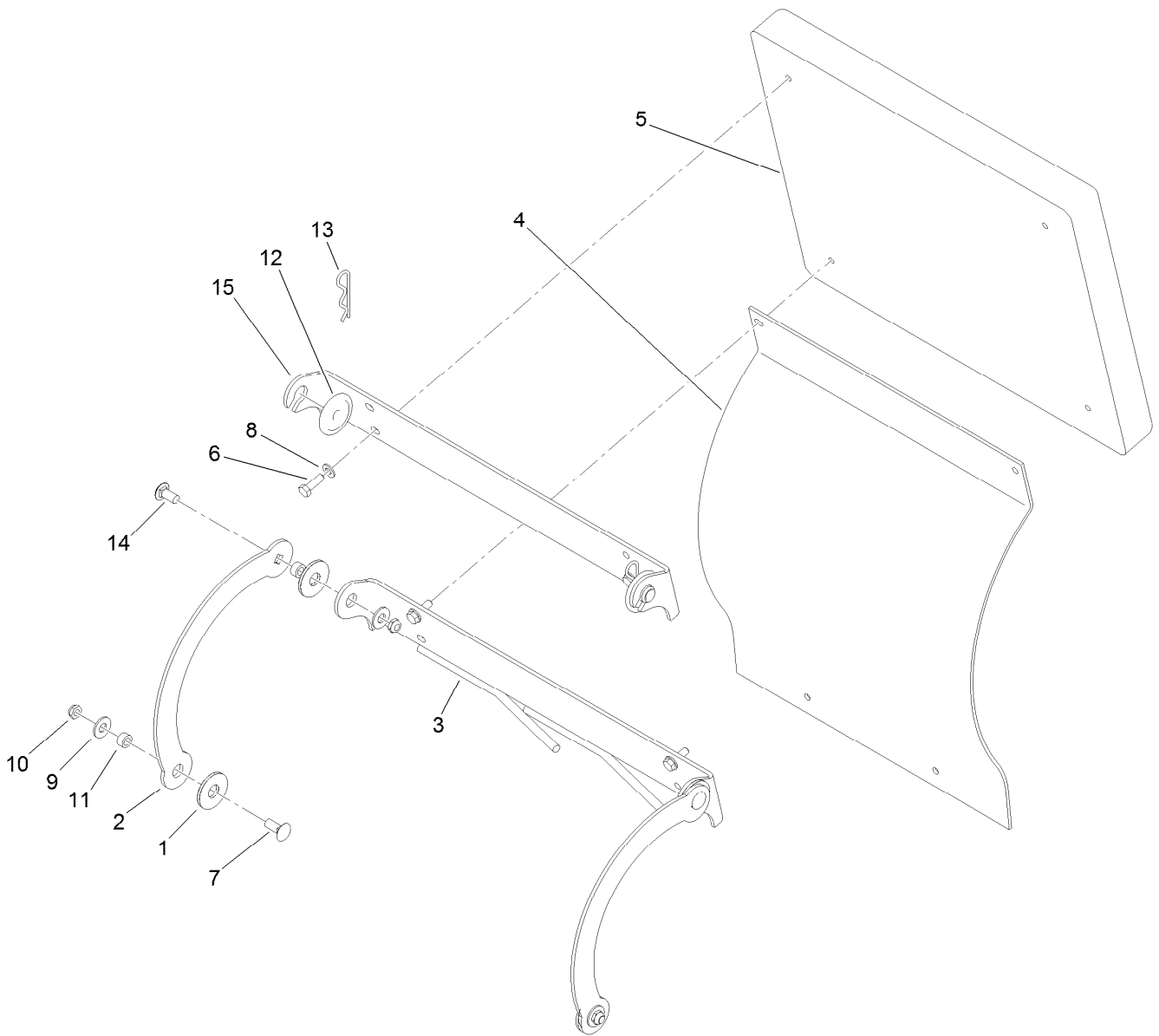
## Decklift Assembly (continued)

<i>Ref.</i>	<i>Part Number</i>	<i>Qty.</i>	<i>Description</i>	<i>Ref.</i>	<i>Part Number</i>	<i>Qty.</i>	<i>Description</i>
43	116-3124	1	Skid-Handle, Lift	53	92-2651	1	Washer
44	32144-70	2	Screw-HWHTF	54	104-7201	1	Nut-HF
45	116-3625	1	Seat-Spring	55	114-0409	1	HOC Pin ASM
46	116-3241	1	Spring-Urethane				



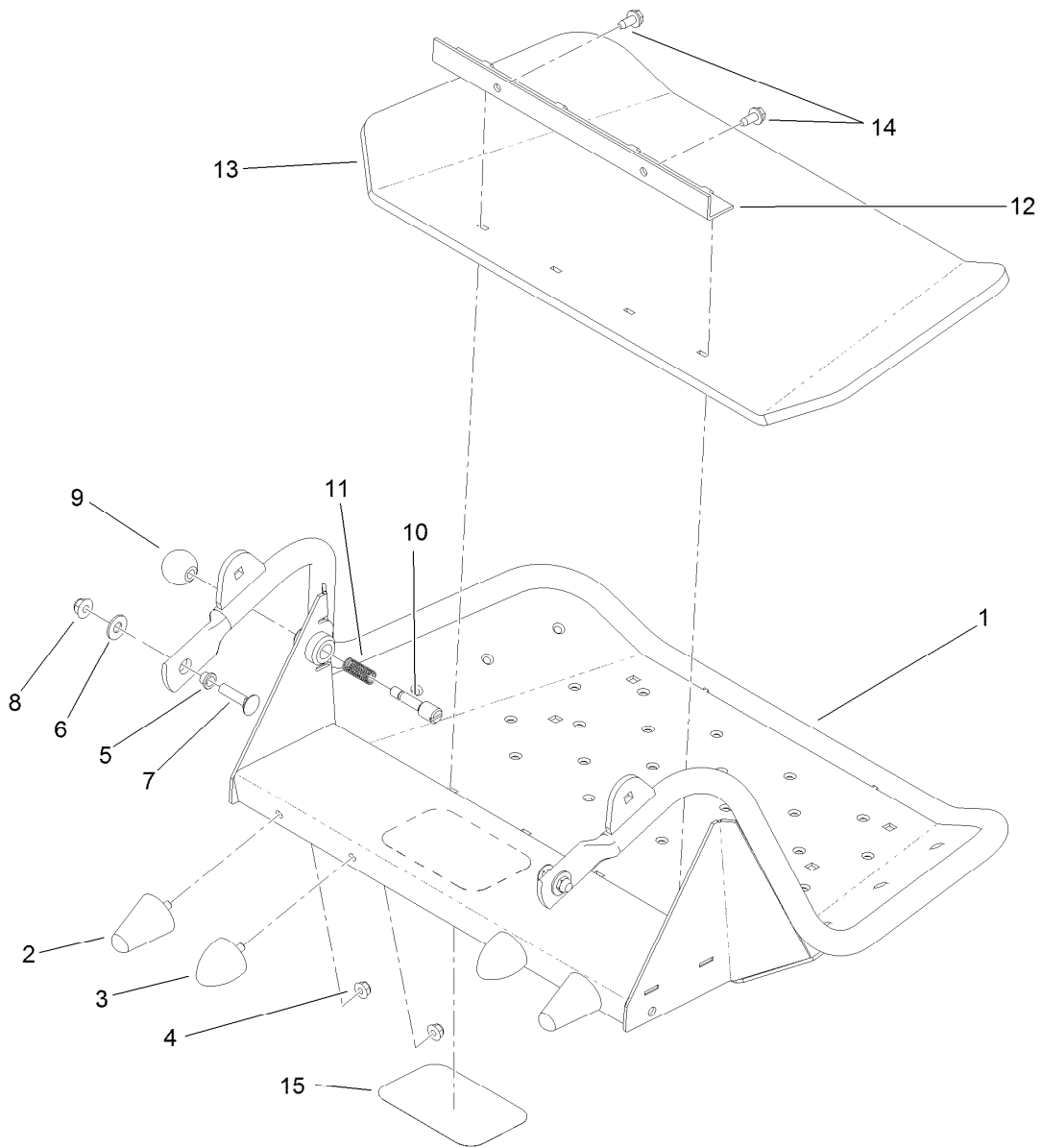
## Platform Assembly

<i>Ref.</i>	<i>Part Number</i>	<i>Qty.</i>	<i>Description</i>
1	119-8742	1	Cushion ASM
2	117-9640	1	Platform ASM



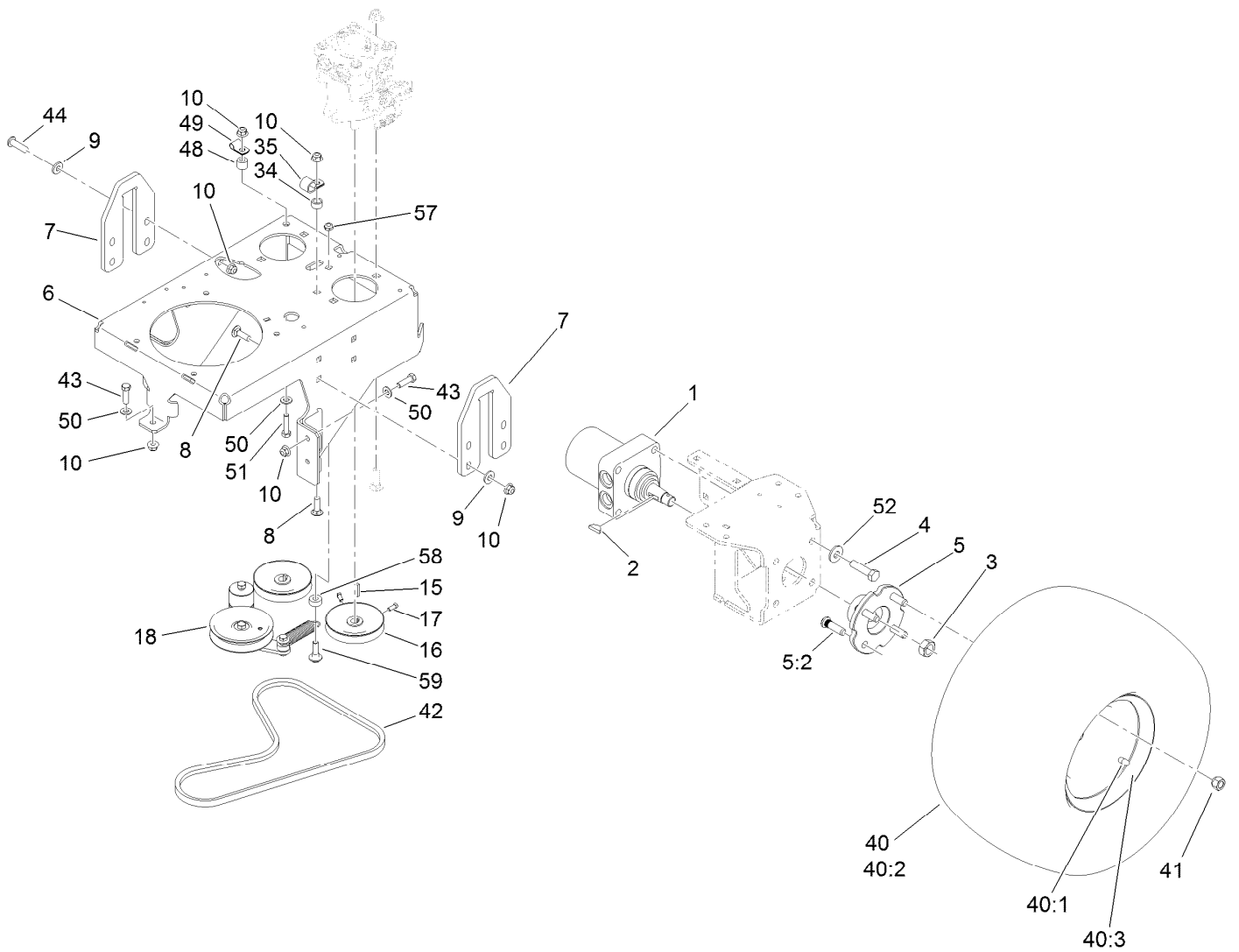
## Cushion Assembly No. 119-8742

Ref.	Part Number	Qty.	Description
1	114-0463	4	Washer-Friction, Composite
2	114-1915-01	2	Link-Pad
3	119-7369-03	1	Lower Hinge ASM
4	114-1919	1	Shield-Rear
5	117-9739	1	Pad-Cushion
6	116-0648	4	Screw-HH, Thread Locking
7	3231-2	2	Bolt-CARR
8	3256-23	4	Washer-Flat
9	3256-4	4	Washer-Flat
10	3296-59	4	Nut-Lock, NI
11	111044	4	Spacer
12	116-2886	2	Slide-Bushing
13	3290-355	2	Pin-Hair
14	3231-27	2	Screw-CARR
15	116-2757-03	1	Hinge-Pad



## Platform Assembly No. 117-9640

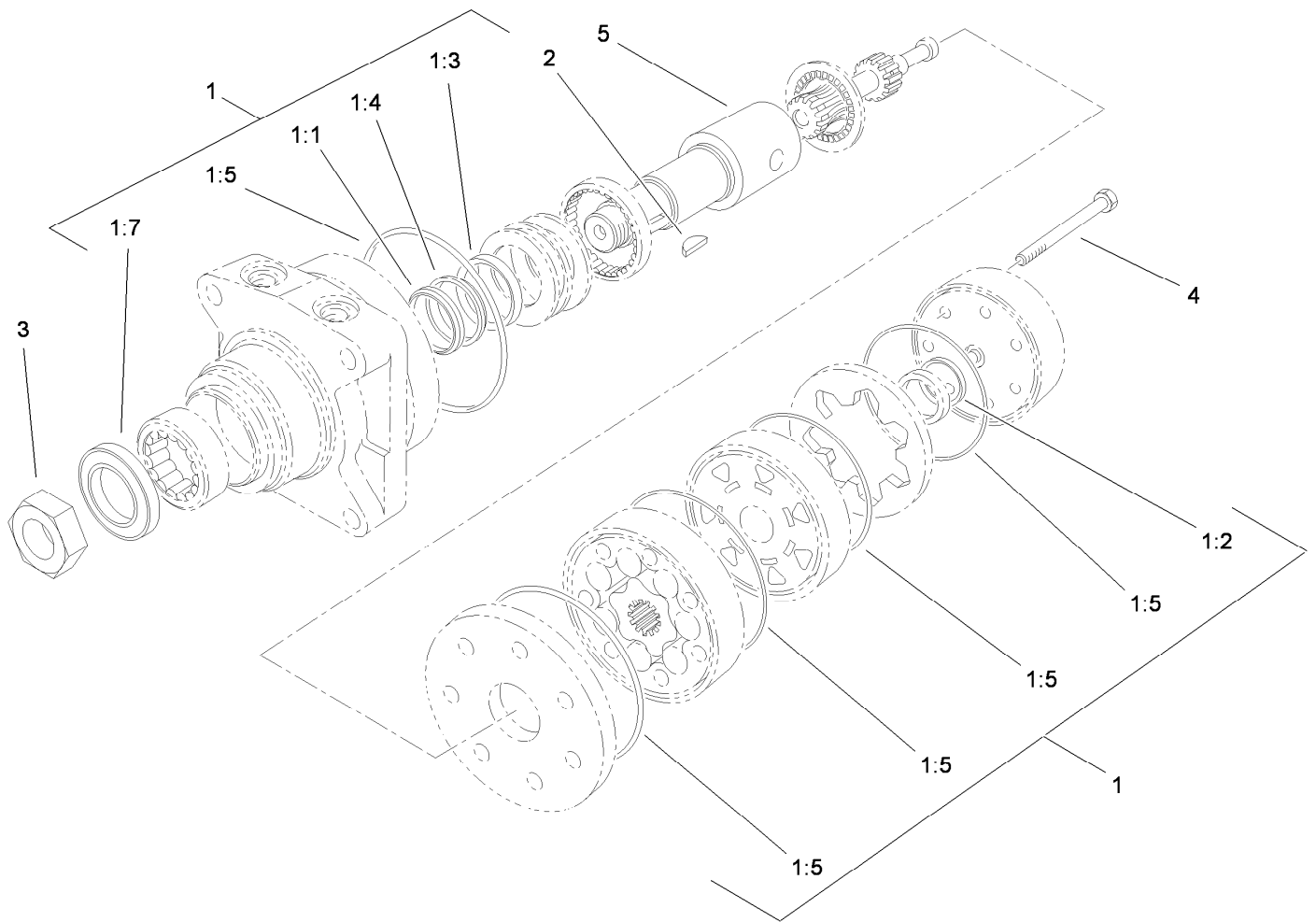
<i>Ref.</i>	<i>Part Number</i>	<i>Qty.</i>	<i>Description</i>
1	117-9641-01	1	Platform ASM
2	114-1925	2	Bumper-Rubber
3	114-1926	2	Bumper-Rubber
4	104-8300	4	Nut-Flange, NI
5	109-8788	2	Bushing-Flanged
6	3256-4	2	Washer-Flat
7	3231-4	2	Screw-CARR
8	104-8301	2	Nut-Flange, NI
9	1-603175	1	Knob-Ball
10	119-8650	1	Pin-Latch
11	114-5348	1	Spring
12	114-1920-03	1	Clamp-Shield
13	114-5349	1	Mat-Foot
14	32144-70	2	Screw-HWHTF
15	68-3640	1	Decal



## Ground Drive Assembly

Ref.	Part Number	Qty.	Description	Ref.	Part Number	Qty.	Description
1	114-0549	2	HYD Motor ASM	40	120-6465	2	Wheel/Tire ASM
2	3257-8	2	Key-Woodruff	40:1	116-4605	1	Rim-8 Inch
3	85-7310	2	Nut-Motor, Wheel	40:2	120-6466	1	Tire
4	325-8	8	Screw-HH	40:3	232-27	1	Stem-Valve
5	105-0800	2	Wheel Hub ASM	41	242-50	8	Nut-Lug
5:2	10-6830	4	Stud-Type, Drive	42	114567	1	Belt-V, Lower PTO
6	120-6456-01	1	Base-Engine	43	3234-42	5	Screw-HHF
7	119-8662	2	Plate-Lift	44	3274-63	1	Screw-HSBH
8	3231-25	8	Bolt-CARR	48	121-1760	1	Spacer
9	98-5975	8	Washer-Belleville	49	116-3362	1	Clip-Tube
10	104-8301	15	Nut-Flange, NI	50	3256-24	1	Washer-Flat
15	1-807272	2	Key	51	323-8	1	Screw-HH
16	105-5648	2	Pulley-Pump	52	1-513435	8	Washer-Spring
17	3241-5	4	Screw-Set	57	3296-59	1	Nut-Lock, NI
18		1	Pump Idler ASM ●	58	104-8426	1	Spacer
34	1-653069	1	Spacer-Wheel	59	614672	1	Bolt-Shoulder
35	1-633396	1	Clip-Loom				

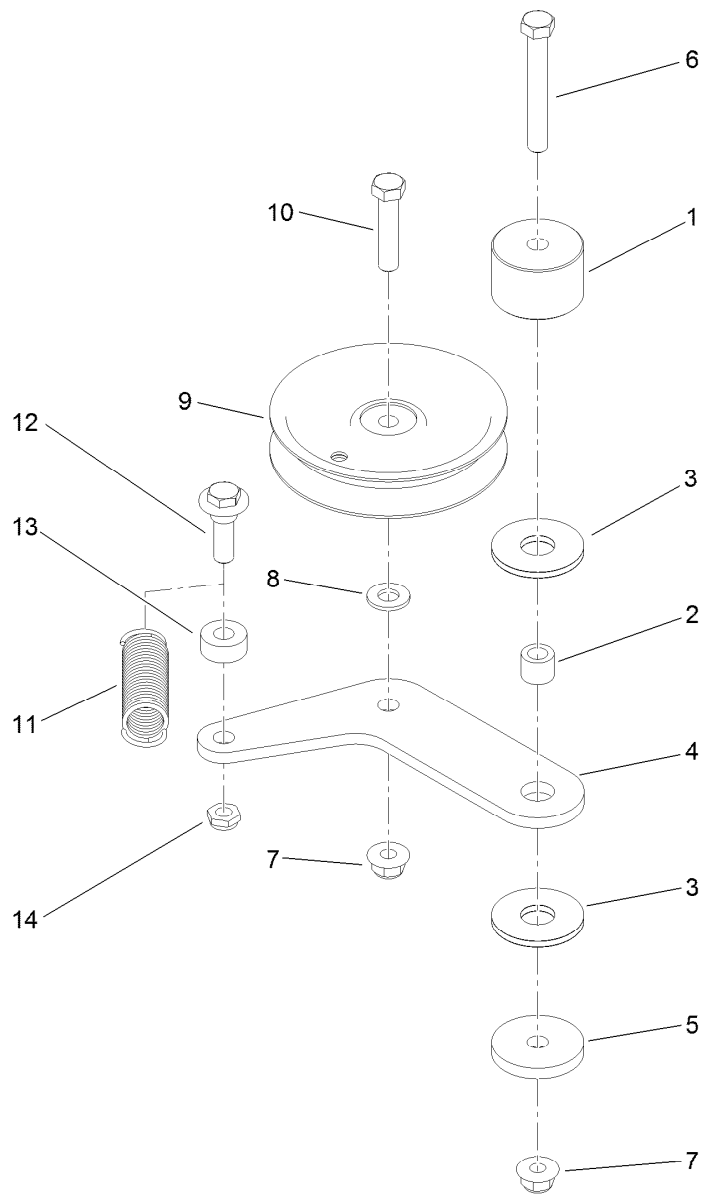
● Not serviced separately



## Hydraulic Motor Assembly No. 114-0549

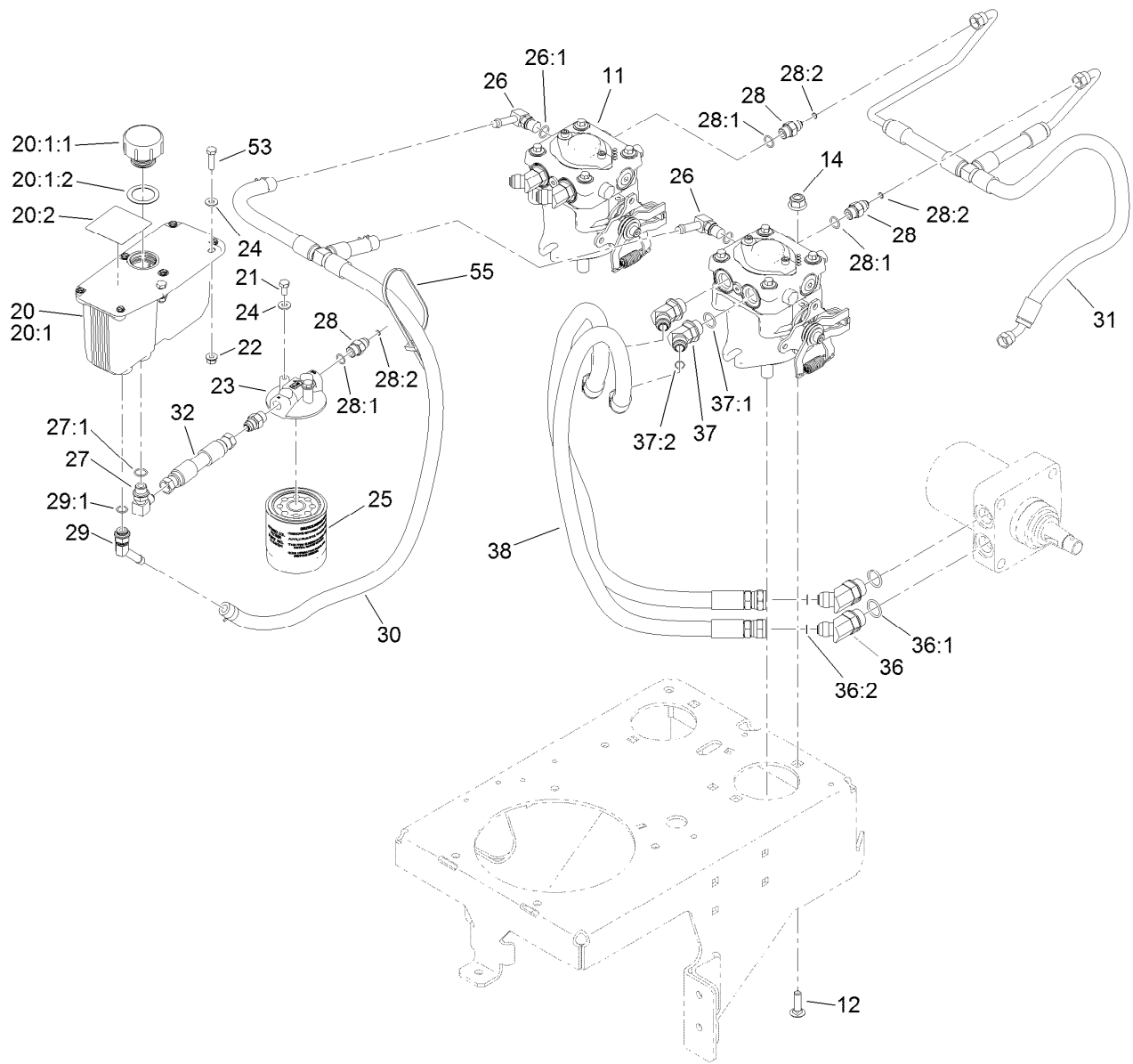
Ref.	Part Number	Qty.	Description
1	1-000119	1	Seal Kit
1:1		1	Ring-Back Up ●
1:2		1	Seal-Commutator ●
1:3		1	Seal-Shaft (Viton) ●
1:4		1	Washer-Back Up, Steel ●
1:5		5	Ring-Seal (Viton) ●
1:7		1	Seal-Dirt And Water ●
2	3257-8	1	Key-Woodruff
3	85-7310	1	Nut-Motor, Wheel
4	106-5549	6	Bolt-Special
5	106-8764	1	Shaft-Coupling

● Not serviced separately



## Pump Idler Assembly

<i>Ref.</i>	<i>Part Number</i>	<i>Qty.</i>	<i>Description</i>
1	117-3568	1	Hub-Idler
2	1-413088	1	Bushing-Lever, Lift
3	114-0463	2	Washer-Friction, Composite
4	119-8737	1	Plate-Idler
5	110-9981	1	Washer-Plain
6	323-13	1	Screw-HH
7	104-8301	2	Nut-Flange, NI
8	3256-24	1	Washer-Flat
9	93-1622	1	Pulley-Idler
10	323-9	1	Screw-HH
11	108-4056	1	Spring-Extension
12	614672	1	Bolt-Shoulder
13	104-8426	1	Spacer
14	3296-59	1	Nut-Lock, NI

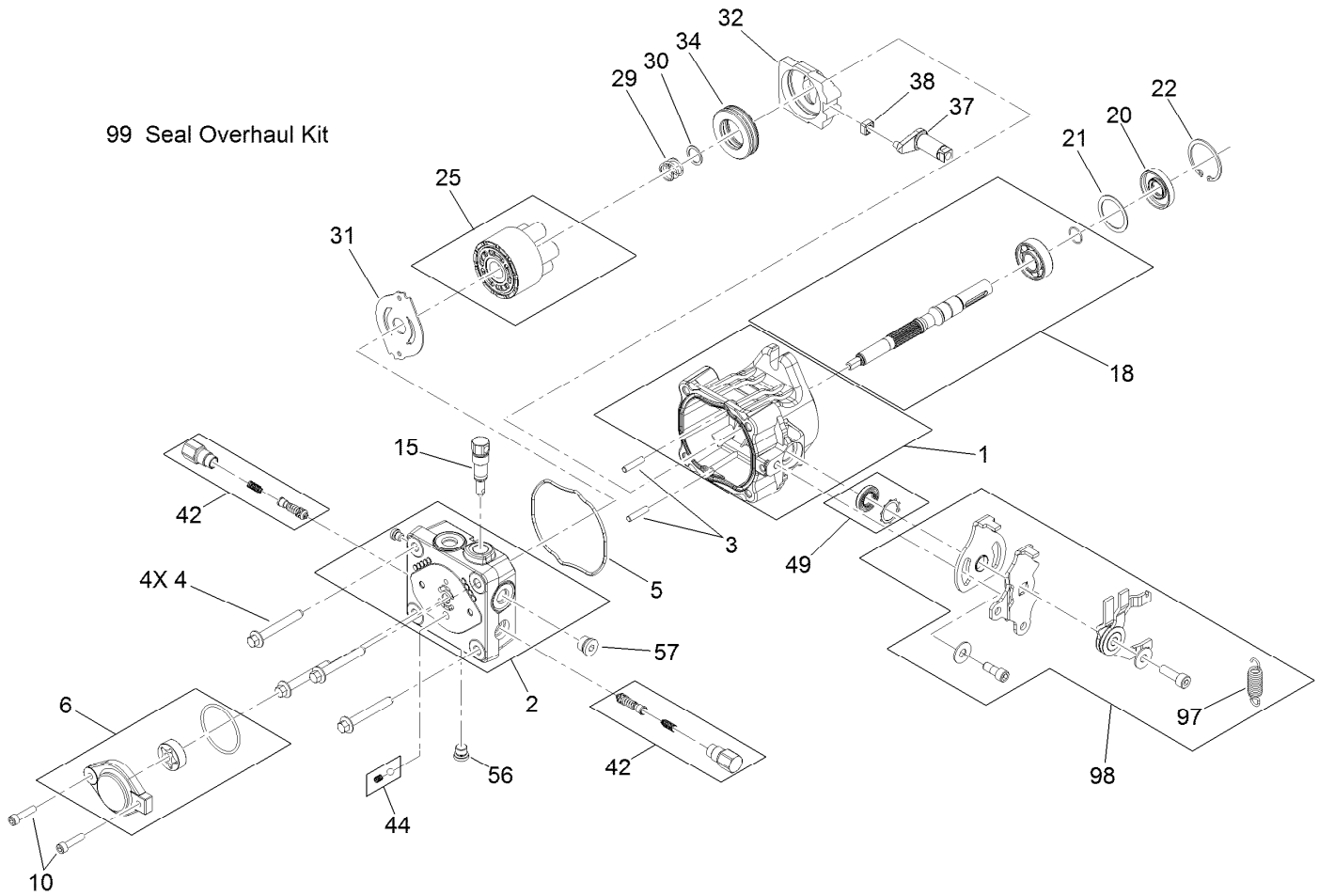


## Hydraulic System Assembly

Ref.	Part Number	Qty.	Description	Ref.	Part Number	Qty.	Description
11	125-4672	2	Hydraulic Pump Am	28	103-2156	4	Fitting-Straight
12	3232-3	4	Bolt-CARR	28:1	1-603921	1	O-Ring
14	114-8417	4	Nut-HF, NI	28:2	103-1020	1	O-Ring
20	107-8433	1	HYD Reservoir ASM	29	103-1807	1	Fitting-Barbed, 45 DEG
20:1		1	Reservoir-HYD ●	29:1	237-42	1	O-Ring
20:1:1	103-1948	1	Cap-Reservoir, HYD	30	121-5969	1	Case Drain Hose ASM
20:1:2	103-1949	1	Gasket-Cap	31	121-5968	1	Charge Hose ASM
20:2	115-4212	1	Decal-Warning	32	116-2604	1	HYD Hose ASM
21	321-3	2	Screw-HH	36	1-523222	4	Fitting-HYD, 45 DEG
22	32128-32	2	Nut-HHF	36:1	1-603919	1	O-Ring
23	104-7836	1	Head-Filter	36:2	1-603992	1	O-Ring
24	3256-22	4	Washer-Flat	37	1-523221	4	Fitting-HYD, 45 DEG
25	114-3494	1	Element-Filter, 25 Micron	37:1	1-603920	1	O-Ring
26	100-4887	2	Fitting-Barbed, 90 DEG	37:2	1-603992	1	O-Ring
26:1	237-42	1	O-Ring	38	116-6902	4	HYD Hose ASM
27	103-1802	1	Fitting-HYD, 90 DEG	53	321-6	2	Screw-HH
27:1	1-603921	1	O-Ring	55	3290-378	1	Tie-Cable

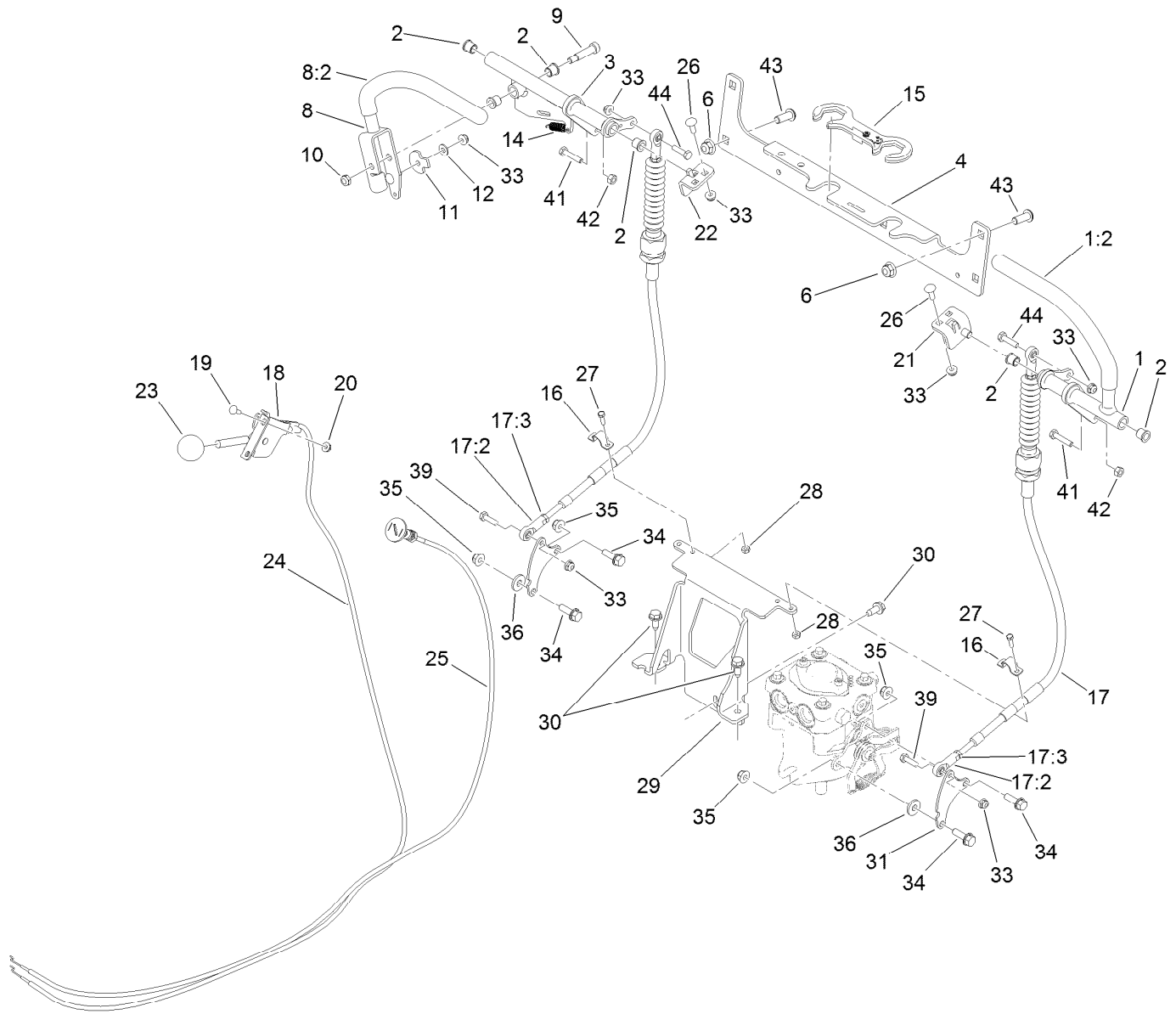
● Not serviced separately

99 Seal Overhaul Kit



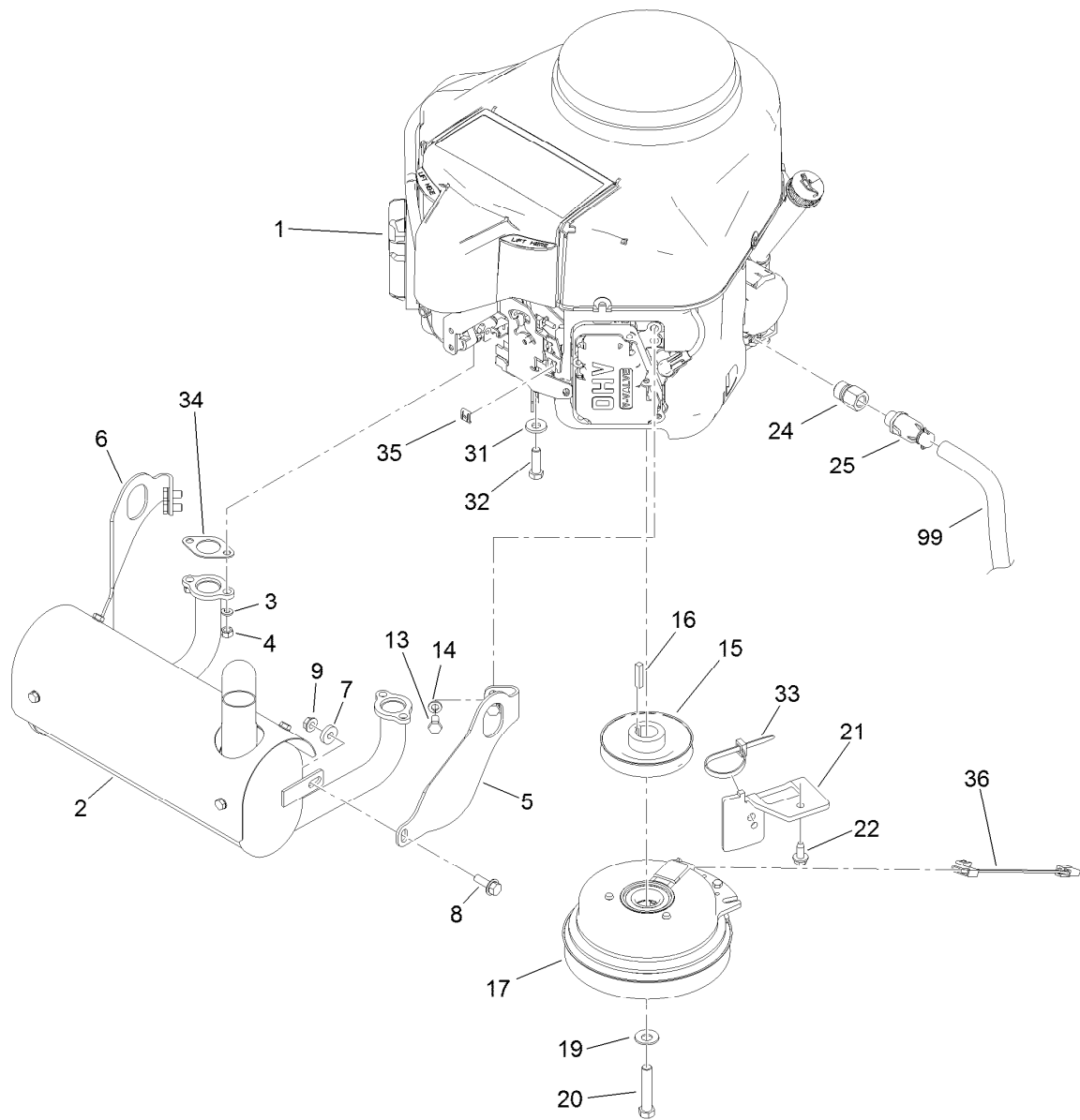
## Hydraulic Pump Assembly No. 125-4672

Ref.	Part Number	Qty.	Description	Ref.	Part Number	Qty.	Description
1	115-4464	1	Housing Kit	31	105-6185	1	Plate-Valve
2	106-8752	1	End Cap Kit (W/Poppets)	32	94-1907	1	Swashplate-Variable
3	106-8753	2	Pin-Headless, Straight	34	94-6922	1	Bearing-Thrust
4	106-8754	4	Bolt-HF	37	115-4458	1	Arm-Trunnion, Tapered Square
5	125-4682	1	O-Ring	38	94-1910	1	Guide-Slot
6	106-8756	1	Charge Pump Kit	42	125-4683	2	Shock Valve Kit
10	104-2111	2	Capscrew	44	112-4164	1	Charge Relief Kit
15	106-8759	1	Bypass Valve Kit	49	106-8761	1	Trunnion Seal / Retainer Kit
18	103-2664	1	Input Shaft Kit	56	106-8762	1	Plug-HSH
20	104-5310	1	Seal-Lip	57	104-2189	1	Plug-Thread, Straight
21	104-5308	1	Spacer	97	125-4684	1	Spring-Extension
22	104-5309	1	Ring-Retaining	98	115-4046	1	Return Kit
25	103-2666	1	Cylinder Block Kit	99	105-6184	1	Seal Overhaul Kit
29	94-1936	1	Spring-Block				
30	94-1937	1	Washer-Thrust				



## Control Assembly

Ref.	Part Number	Qty.	Description	Ref.	Part Number	Qty.	Description
1	119-8743	1	LH Lever ASM	21	119-8690	1	LH Pivot Tab ASM
1:2	119-0222	1	Grip	22	119-8718	1	RH Pivot Tab ASM
2	103-9928	6	Bearing	23	1-603175	1	Knob-Ball
3	119-7353	1	RH Motion Control ASM	24	119-6654	1	Cable-Throttle
4	119-7359-01	1	Bracket-Cross	25	119-6655	1	Control-Choke, Push/Pull
6	104-8301	4	Nut-Flange, NI	26	3229-1	4	Bolt-CARR
8	119-1887	1	RH Motion Lever ASM	27	3290-134	4	Screw
8:2	119-0222	1	Grip	28	3296-2	4	Nut-Lock, NI
9	114-0239	1	Screw-HSH	29	119-8746-01	1	Bracket-Cable Mount
10	3296-47	1	Nut-Lock, NI	30	32144-70	3	Screw-HWHTF
11	114-0268	1	Cam-Lever	31	121-5967	2	Plate-Control, Pump
12	3256-22	1	Washer-Flat	33	104-7201	9	Nut-HF
14	114-0249	1	Spring-Extension	34	3234-29	4	Screw-HHF
15	120-8372	1	Lock-Cable	35	104-8300	4	Nut-Flange, NI
16	119-7370	2	Clamp	36	4-2390	2	Washer-Flat
17	119-7366	2	Cable ASM	39	321-5	2	Screw-HH
17:2	119-7379	2	Rod-Ball Joint	41	114-0282	2	Screw-HH
17:3	3220-1	3	Nut-Jam	42	3217-5	2	Nut-Hex
18	110-5547	1	Control Lever ASM	43	3274-94	4	Screw-HSBH
19	1-807533	2	Bolt-CARR	44	321-6	2	Screw-HH
20	32128-17	2	Nut-Lock, Flange				

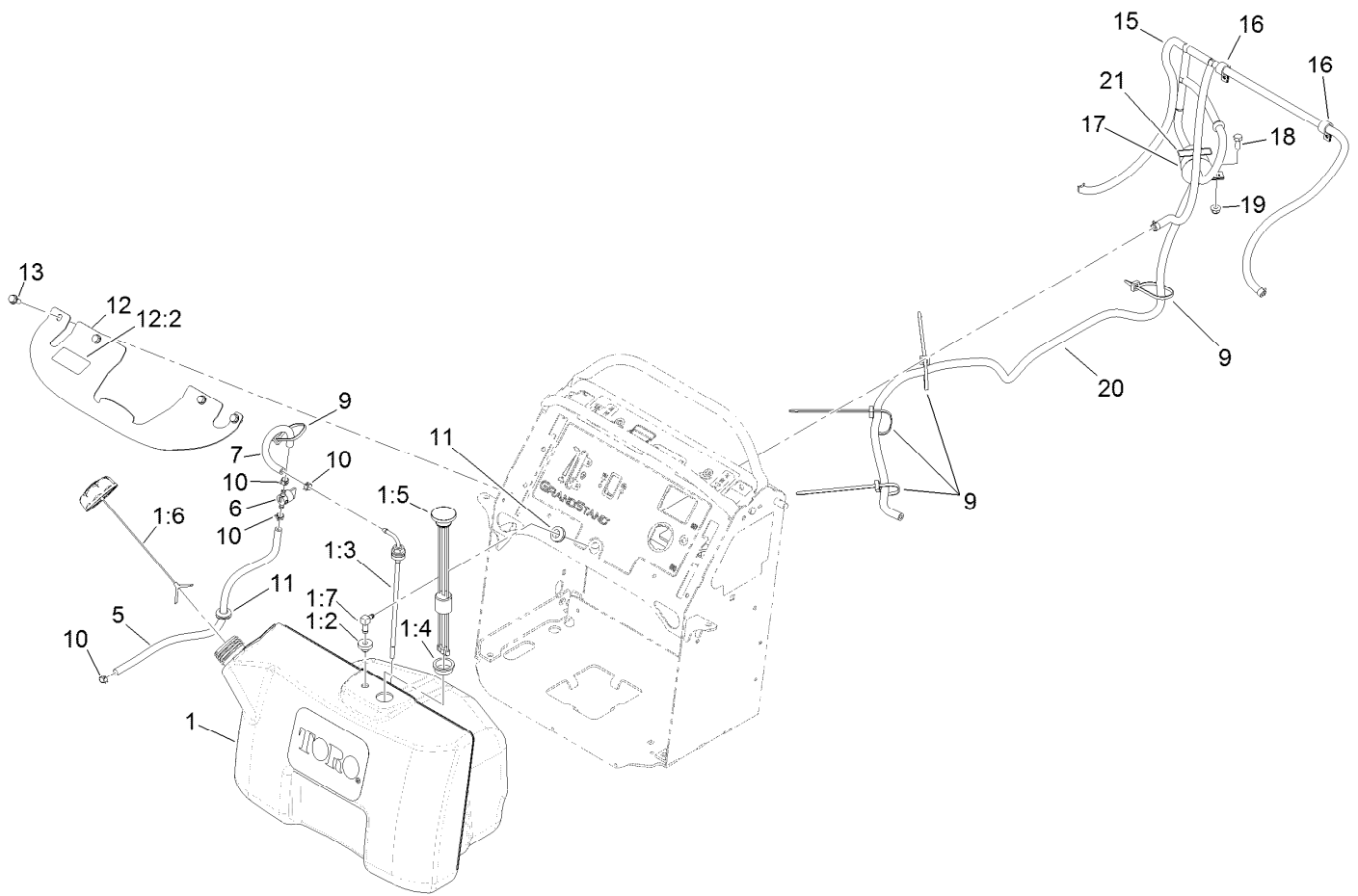


## Engine Assembly

Ref.	Part Number	Qty.	Description	Ref.	Part Number	Qty.	Description
1		1	Engine-Kawasaki, Fs651V ●■	17	125-4673	1	Clutch
2	116-2352	1	Muffler	19	1-603610	1	Washer-Spring
3	114-3550	4	Washer-Lock, Spring	20	3212-9	1	Screw-HH
4	114-3549	4	Nut	21	116-3811-01	1	Bracket-Anchor, Clutch
5	116-2353	1	Bracket-Muffler Mount, LH	22	32144-70	1	Screw-HWHTF
6	116-2354	1	Bracket-Muffler Mount, RH	24	103-1966	1	Adapter
7	104-7658	2	Spacer	25	120-4321	1	Valve-Drain, Oil
8	3234-29	2	Screw-HHF	31	98-5975	4	Washer-Belleville
9	32128-25	2	Nut-HF	32	323-7	4	Screw-HH
13	33114-016	4	Screw-HH	33	3290-378	1	Tie-Cable
14	3253-4	4	Washer-Lock	34	1-653313	2	Gasket-Exhaust
15	116-3610	1	Pulley	35	81-1690	1	Clamp-Cable
16	1-807259	1	Key	36	109-9274	1	Harness-Clutch
				99	103-1964	1	Hose-Drain, Oil

● Not serviced separately

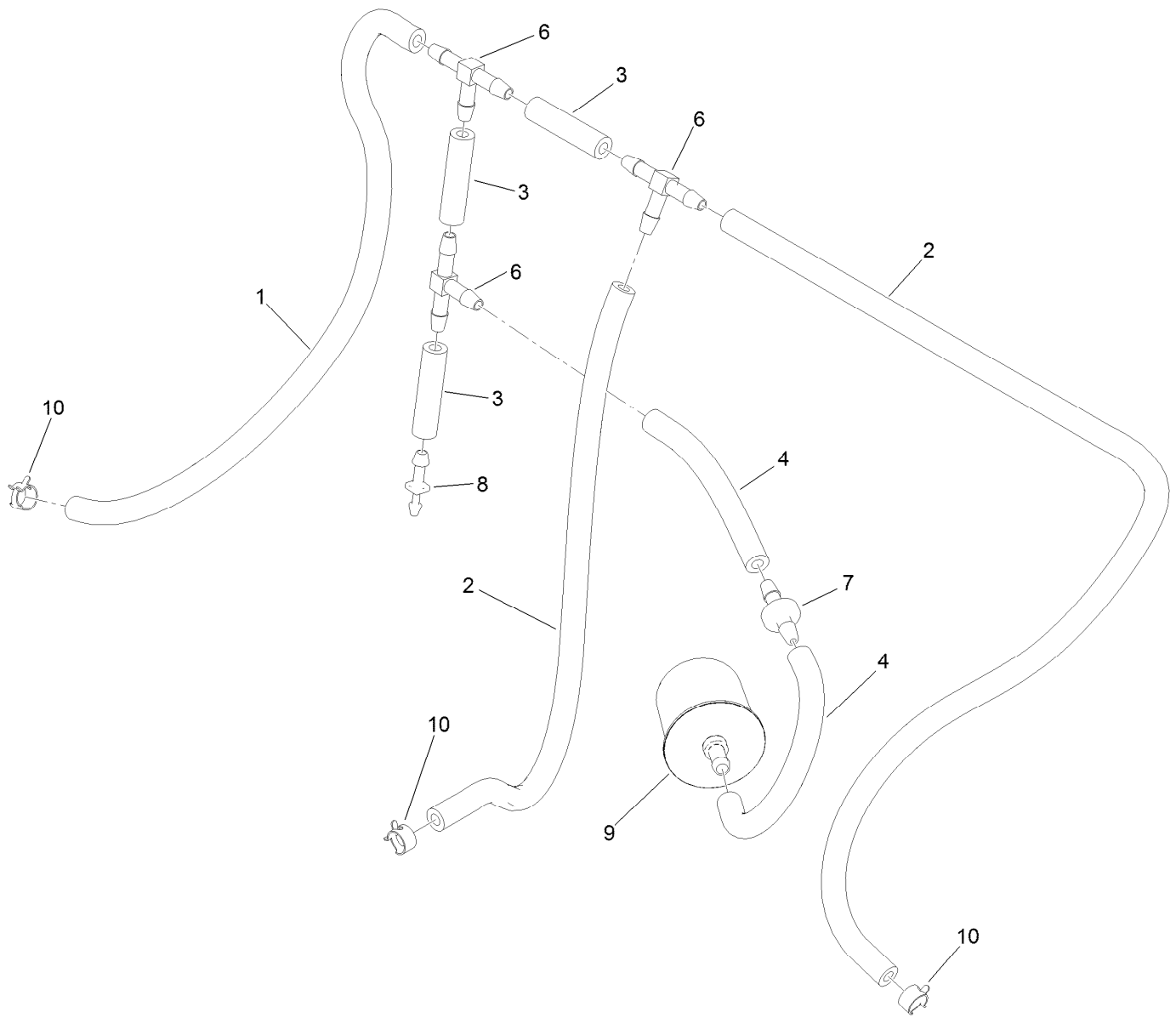
■ Obtain parts from [www.kawpowerpc.com](http://www.kawpowerpc.com)



## Fuel Tank Assembly

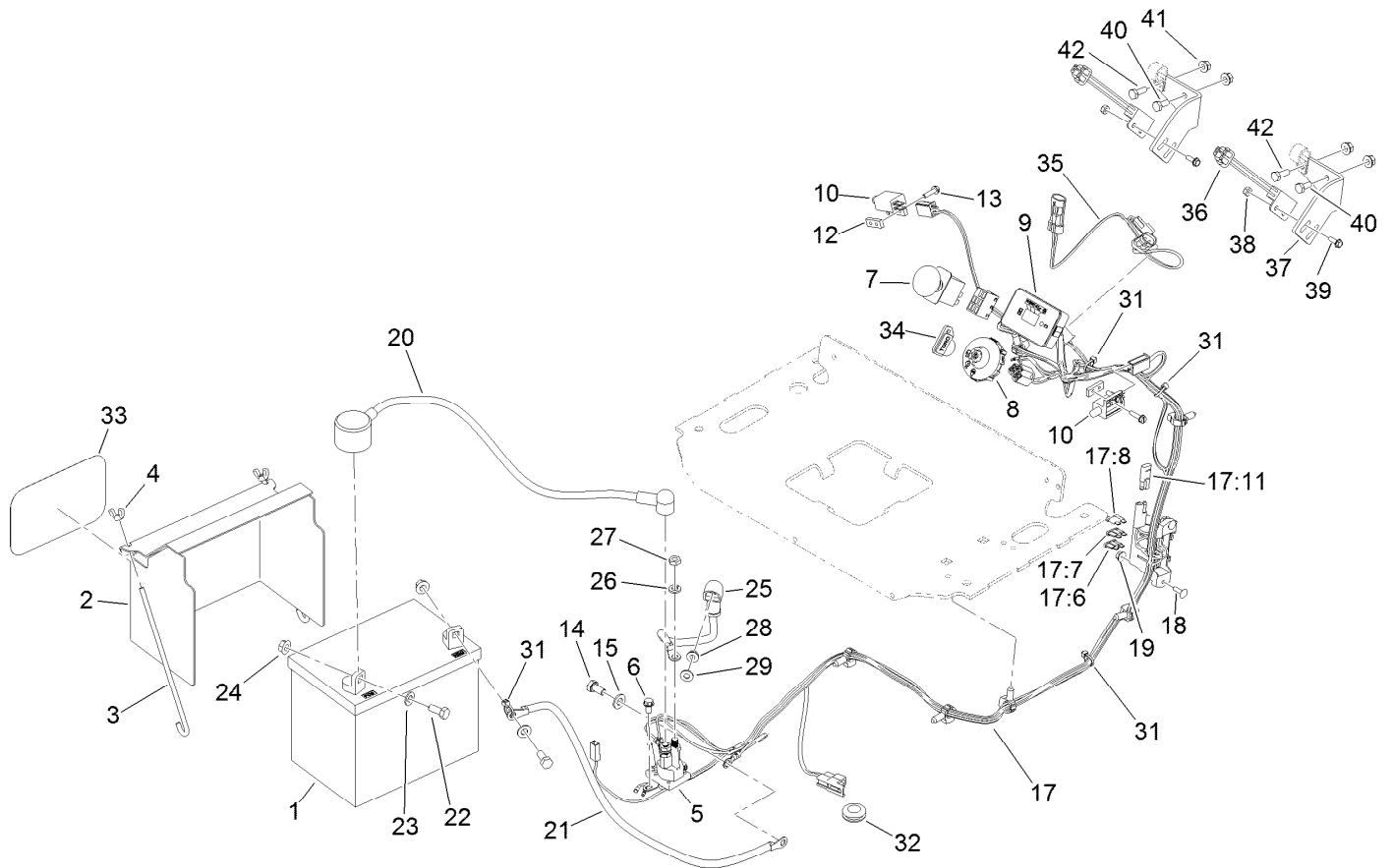
Ref.	Part Number	Qty.	Description	Ref.	Part Number	Qty.	Description
1	119-7340	1	Tank ASM	11	112-7069	2	Grommet
1:2	46-6560	3	Bushing	12	120-6462	1	Bracket-Tank
1:3	1-643172	3	Elbow-90 DEG	12:2	116-3290	1	Decal-Fill, Fuel
1:4	95-8972	1	Grommet	13	32144-70	4	Screw-HWHTF
1:5	117-9719	1	Guage-Fuel	15		1	Vent Hose ASM ●
1:6	116-1704	1	Cap-Fuel, Ratcheting	16	2412-87	2	Clamp-Cable
1:7	116-3408	1	Fitting-Fuel, Bulkhead	17	2412-96	1	Clamp-R
5	110-5701	1	Hose-Fuel	18	322-3	1	Screw-HH
6	1-603770	1	Valve-Fuel	19	104-8300	1	Nut-Flange, NI
7	109-0297	1	Hose-Fuel	20	119-6073	1	Hose-Fuel
9	3290-378	5	Tie-Cable	21	116-4769	1	Decal-Filter, Emissions
10	2412-98	4	Clamp-Hose				

● Not serviced separately



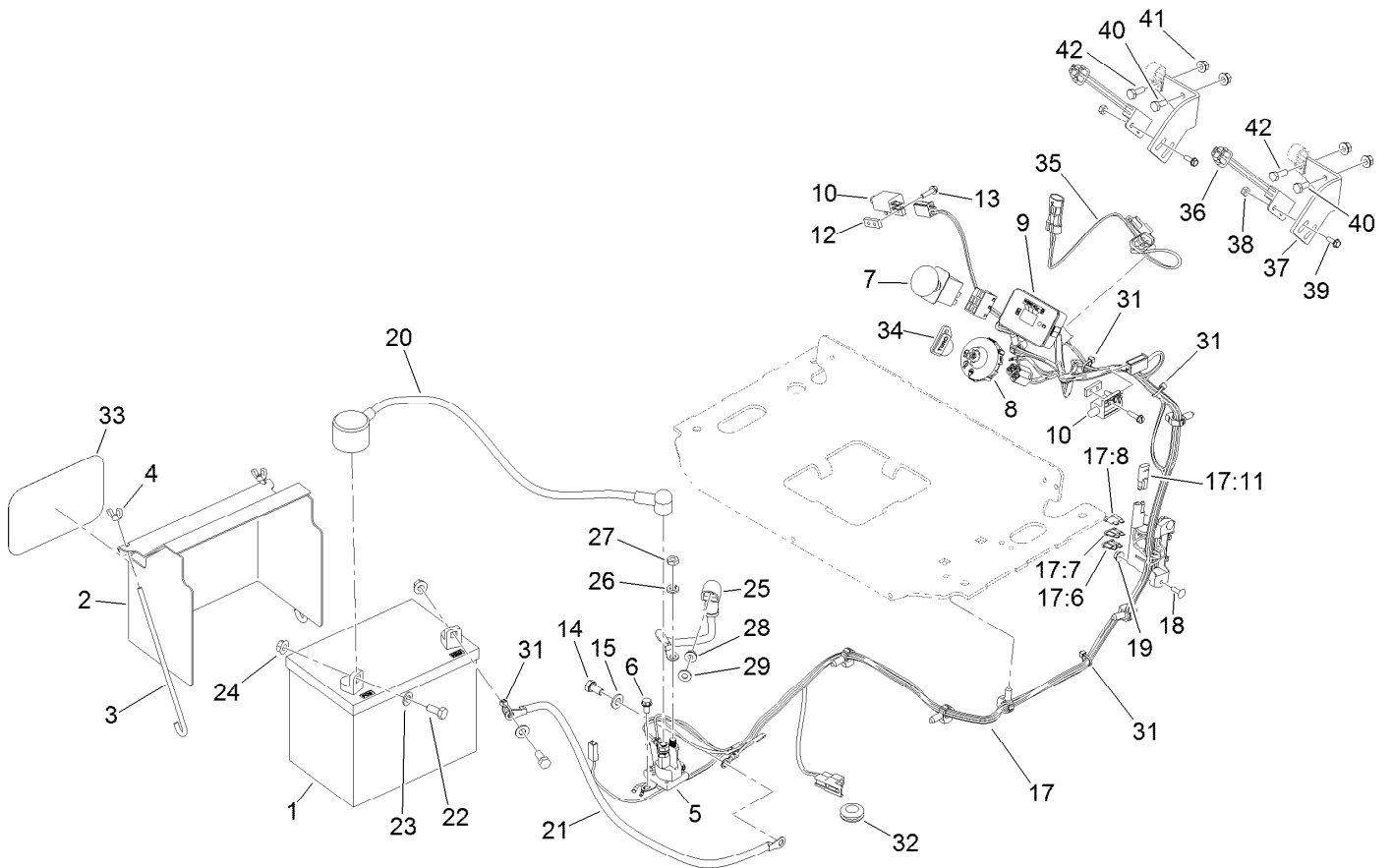
## Vent Hose Assembly

<i>Ref.</i>	<i>Part Number</i>	<i>Qty.</i>	<i>Description</i>
1	109-3491	1	Hose-Fuel
2	109-0299	2	Hose-Fuel
3	99-9415	3	Hose-Fuel
4	109-0650	2	Hose-Fuel
6	99-5005	3	Fitting-Tee, Barbed
7	99-5000	1	Valve-Check, Fuel
8	106-8150	1	Fitting-Straight
9	120-2235	1	Filter-Fuel
10	2412-98	3	Clamp-Hose



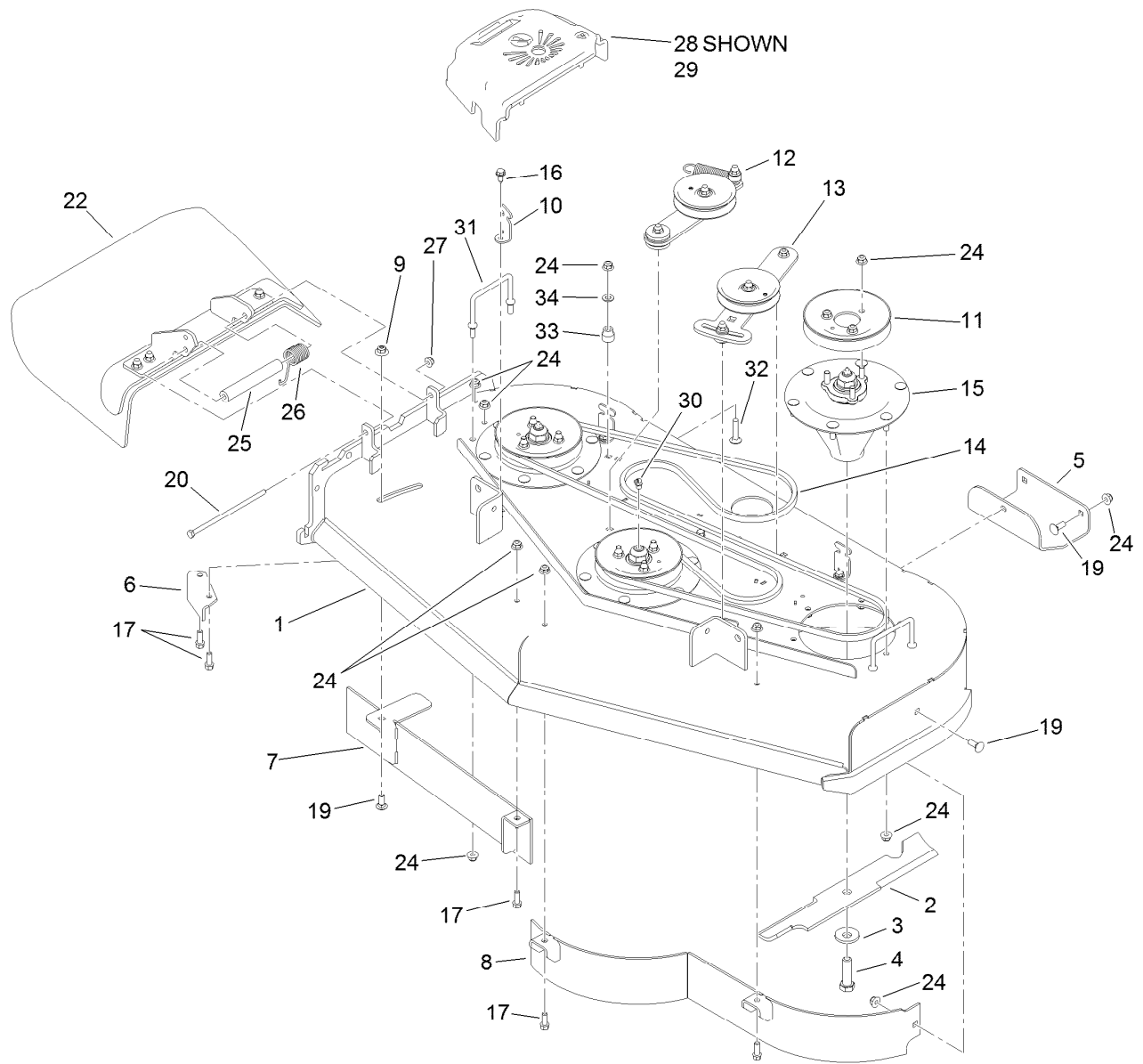
## Electrical Assembly

Ref.	Part Number	Qty.	Description	Ref.	Part Number	Qty.	Description
1	104-8162	1	Battery	20	115-3864	1	Cable-Battery, Positive
2	117-0543-01	1	Cover-Battery	21	105-0836	1	Cable-Battery, Black
3	1-633651	2	Bolt-Holddown	22	322-3	2	Screw-HH
4	1-543792	2	Wingnut	23	3256-23	2	Washer-Flat
5	117-1197	1	Solenoid	24	109-5715	2	Nut-HHF, Smooth
6	32144-4	2	Screw-HWH	25	106-8268	1	Cable-Battery, Red
7	114-0279	1	Switch-PTO	26	3253-4	2	Washer-Lock
8	117-2222	1	Switch-Ignition	27	3220-2	2	Nut-Jam
9	117-3886	1	Module-Hour Meter	28	32128-33	1	Nut-HF
10	1-513152	2	Switch-Closed, Normally	29	3256-22	1	Washer-Flat
12	1-633181	2	Plate-Tapped	31	1-303287	4	Tie-Cable
13	32105-13	4	Screw-HWH	32	117-2781	1	Grommet
14	33114-016	1	Screw-HH	33	68-3640	1	Decal
15	33094-00	1	Washer-Plain	34	63-8360	1	Key-Ignition (W/Shield)
17	116-2662	1	Harness-Wiring	35	119-8729	1	Harness-Wire, Neutral
17:6	109103	1	Fuse-Blade, 30 Amp				Switch
17:7	109102	1	Fuse-Blade, 25 Amp	36	105-0023	2	Switch-Proximity
17:8	218-578	1	Fuse-Blade, 10 Amp	37	119-8503-01	2	Bracket-Mount, Switch
17:11	116-0053	1	Cap-Plug	38	3296-2	4	Nut-Lock, NI
18	1-807533	2	Bolt-CARR	39	32105-23	4	Screw
19	3290-148	2	Nut-HF	40	321-3	2	Screw-HH



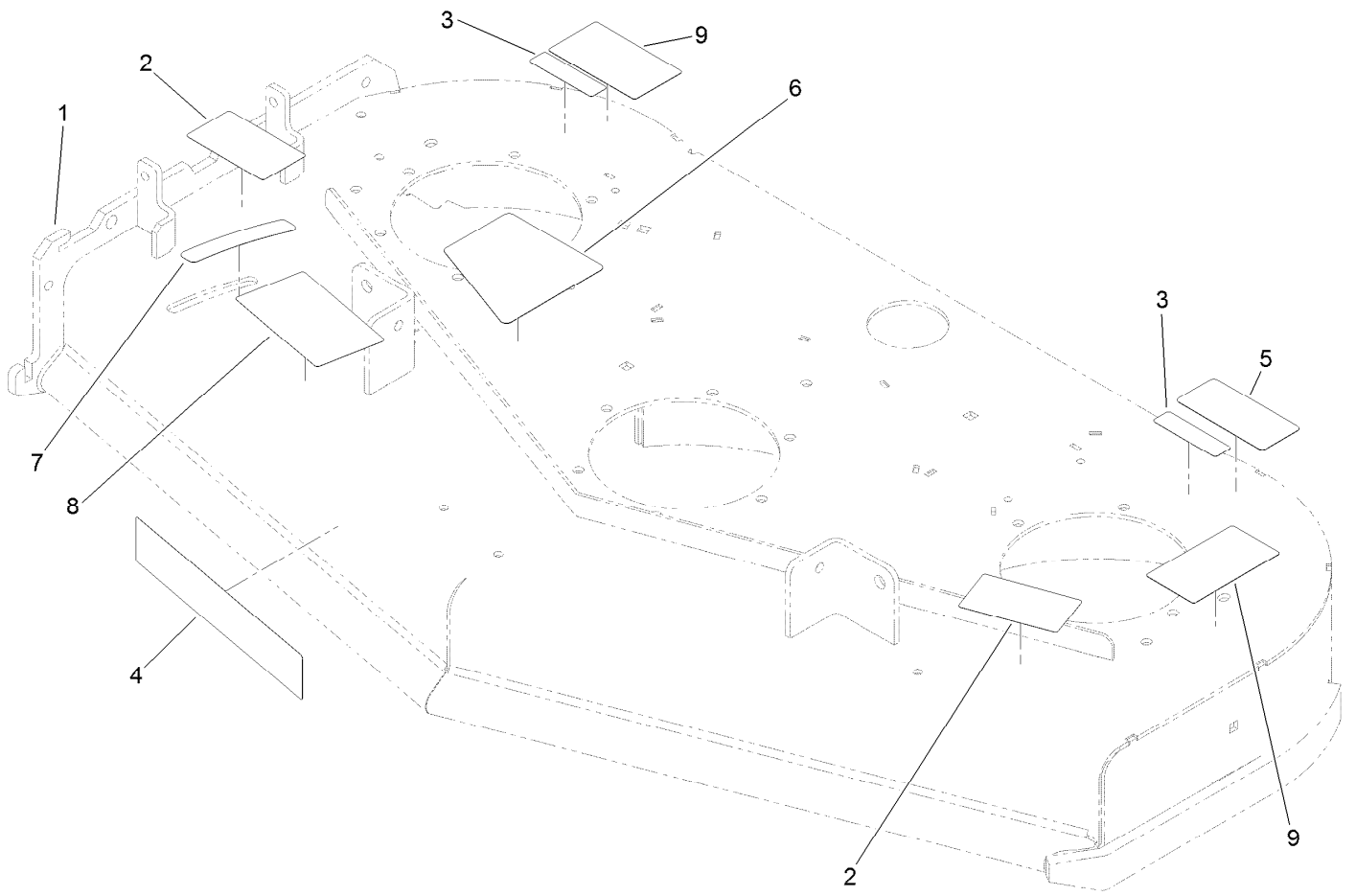
## Electrical Assembly (continued)

<i>Ref.</i>	<i>Part Number</i>	<i>Qty.</i>	<i>Description</i>
41	32128-32	4	Nut-HHF
42	321-4	2	Screw-HH



## Deck Assembly

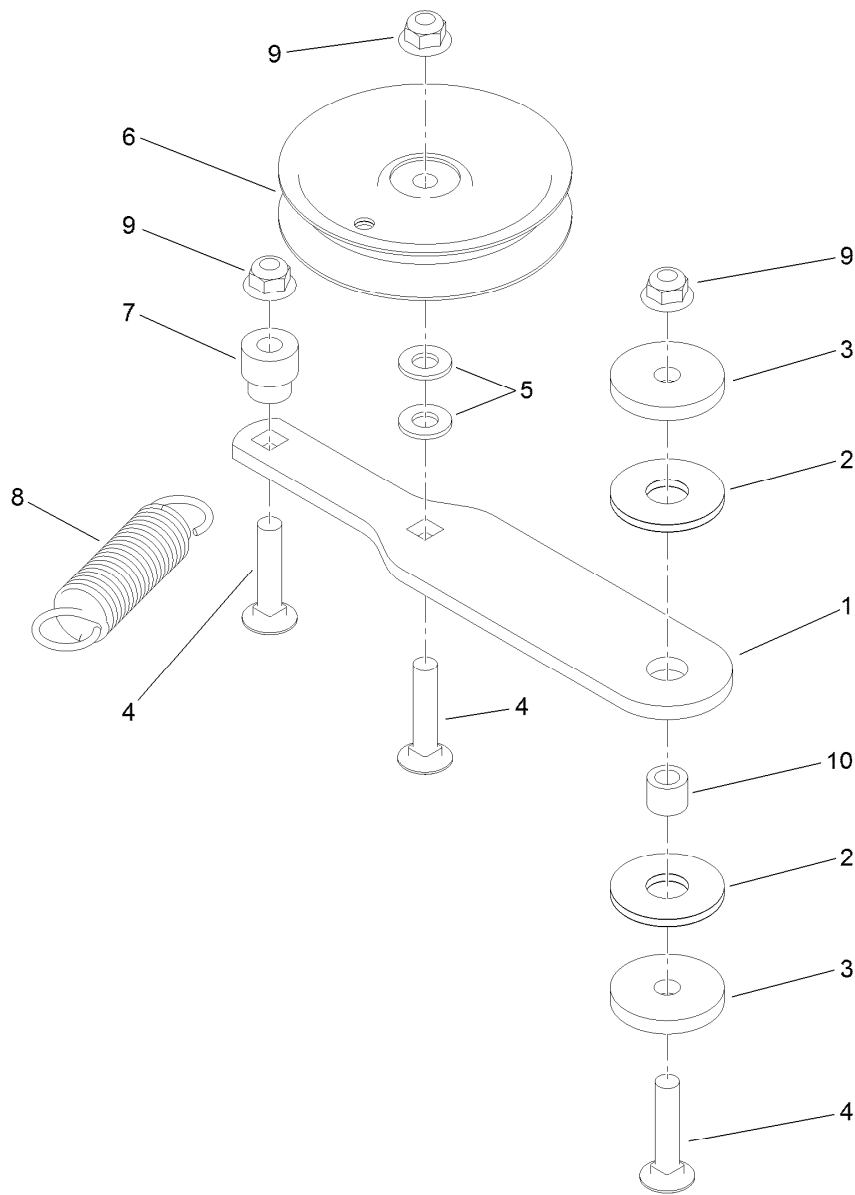
Ref.	Part Number	Qty.	Description	Ref.	Part Number	Qty.	Description
1	120-6401	1	Deck ASM	17	92-1624	5	Screw-HWH
2	107-3192-03	3	Blade-16.5 Inch (High Flow)	19	3231-2	5	Bolt-CARR
3	103-0865	3	Washer-Blade Bolt, Heavy	20	322-50	1	Screw-HH
4	51-4060	3	Screw-Blade	22	120-2451	1	Deflector ASM
5	114-1908-01	1	Skid	24	104-8301	41	Nut-Flange, NI
6	107-8541-01	1	Baffle-Discharge	25	105-4622	1	Spacer
7	121-1790-01	1	Baffle ASM	26	108-4052	1	Spring-Torsion
8	117-0410-01	1	48 Inch Baffle ASM	27	104-8300	1	Nut-Flange, NI
9	109-6658	1	Nut-Flange, NI	28	120-6431	1	Cover-Belt, RH
10	117-5758-03	4	Bracket-Cover	29	120-6423	1	Cover-Belt
11	120-6432	3	Pulley	30	302-33	1	Fitting-Grease
12	120-6410	1	Idler Arm ASM	31	109-6982	2	Wireform-Cover
13	117-0446	1	Idler Adjust ASM	32	3231-5	1	Screw-CARR
14	114-0453	1	Belt-V	33	1-603496	1	Bushing-Idler
15	119-8560	3	Spindle ASM	34	3256-24	1	Washer-Flat
16	32144-70	4	Screw-HWHTF				



## Deck Decal Assembly No. 120-6401

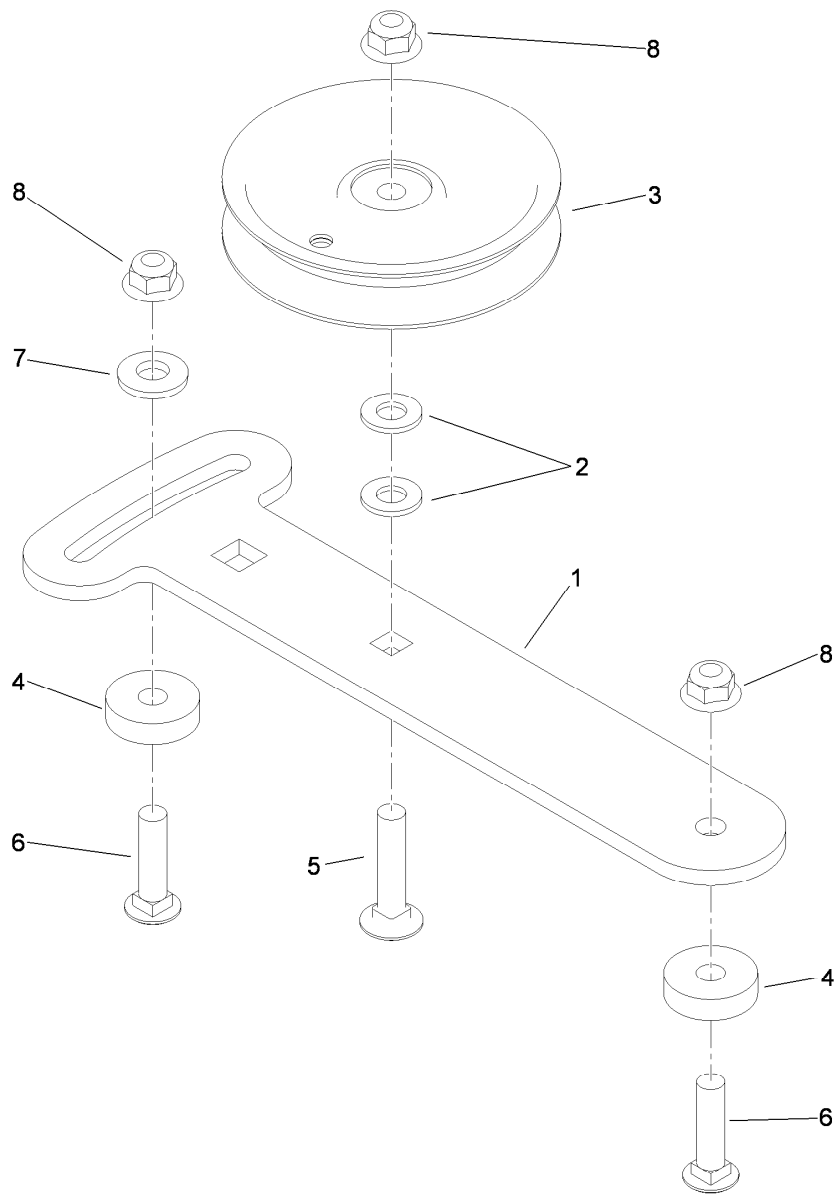
<i>Ref.</i>	<i>Part Number</i>	<i>Qty.</i>	<i>Description</i>
1		1	Deck ASM ●
2	121-6049	2	Decal-Danger
3	119-0217	2	Decal-Danger
4	107-1690	1	Decal
5	93-7818	1	Decal-Torque, Blade Bolt
6	120-6412	1	Decal-Belt Tension, Ce
7	110-2067	1	Decal-Setting, Baffle
8	110-2068	1	Decal-Adjustment, Baffle
9	120-6424	2	Decal-Danger, Rotating Parts

● Not serviced separately



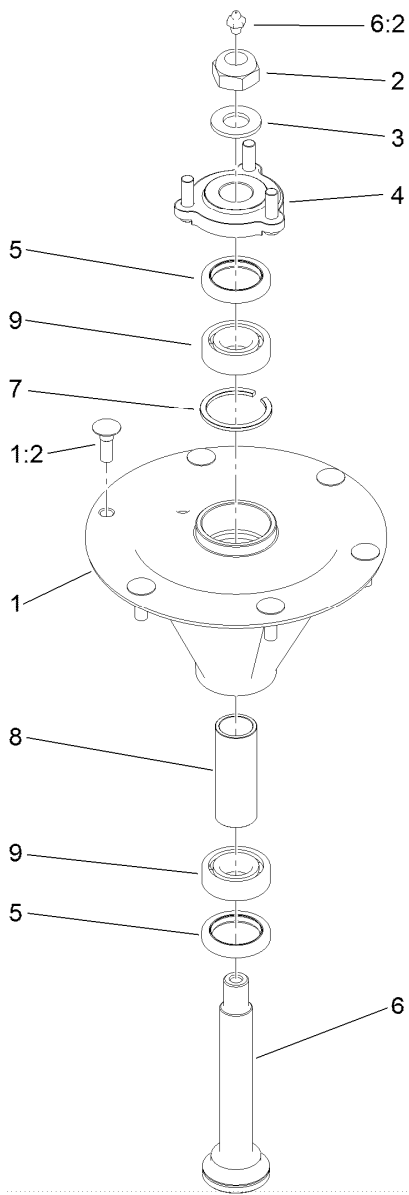
## Idler Arm Assembly No. 120-6410

<i>Ref.</i>	<i>Part Number</i>	<i>Qty.</i>	<i>Description</i>
1	120-6409	1	Arm-Idler
2	114-0463	2	Washer-Friction, Composite
3	110-9981	2	Washer-Plain
4	3231-5	3	Screw-CARR
5	3256-24	2	Washer-Flat
6	93-1622	1	Pulley-Idler
7	1-603496	1	Bushing-Idler
8	1-603402	1	Spring-Extension
9	104-8301	3	Nut-Flange, NI
10	1-413088	1	Bushing-Lever, Lift



## Idler Adjust Assembly No. 117-0446

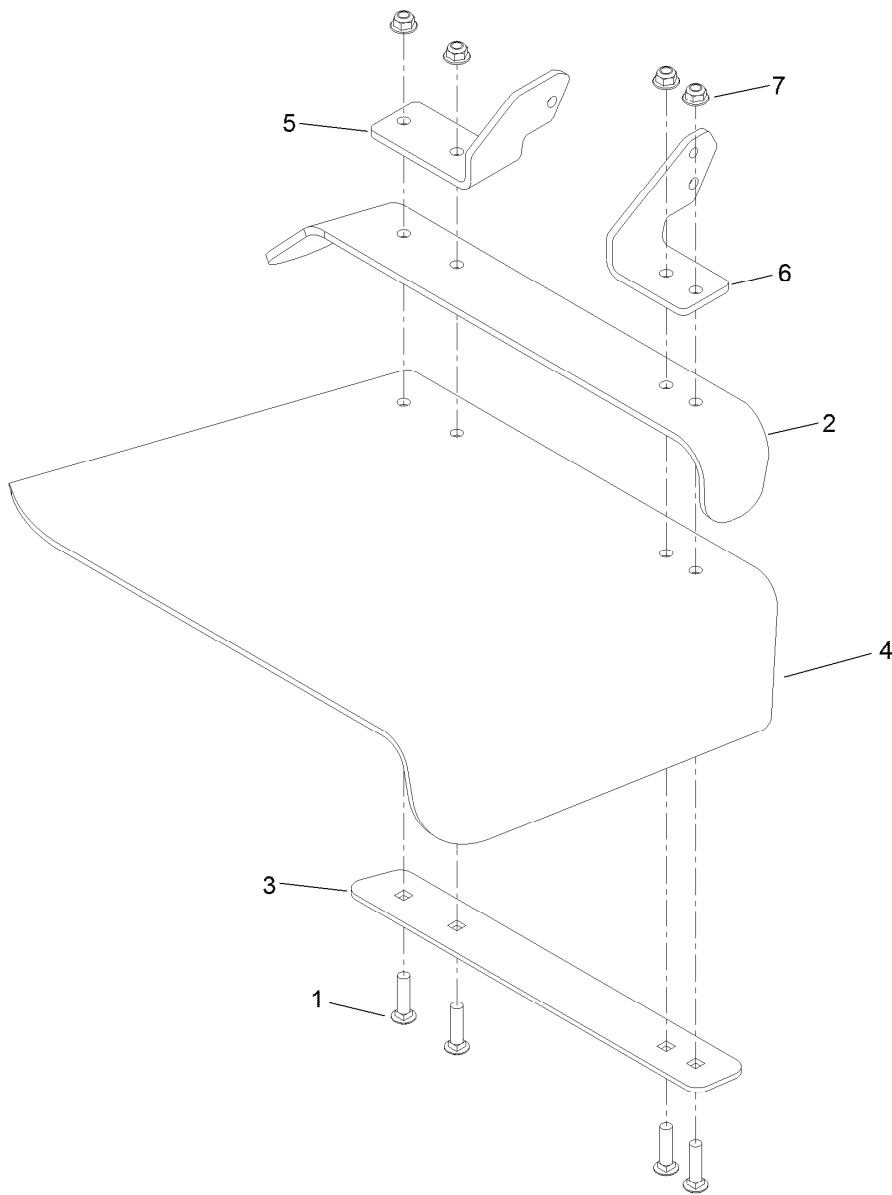
Ref.	Part Number	Qty.	Description
1	114-1991	1	Plate-Idler
2	3256-24	2	Washer-Flat
3	93-1622	1	Pulley-Idler
4	105-7788	2	Spacer
5	3231-5	1	Screw-CARR
6	3231-4	2	Screw-CARR
7	98-5975	1	Washer-Belleville
8	104-8301	3	Nut-Flange, NI



## Spindle Assembly No. 119-8560

<i>Ref.</i>	<i>Part Number</i>	<i>Qty.</i>	<i>Description</i>
1		1	Spindle Housing And Studs ASM ●
1:2	114-8195	6	Bolt-Ribbed Neck
2	3296-67	1	Nut-Lock, NI
3	92-5836	1	Washer
4	117-6172	1	Spindle Hub ASM
5	253-133	2	Seal-Oil
6	119-8527	1	Spindle Shaft And Zerk ASM
6:2	302-2	1	Fitting-Grease
7	119-8532	1	Snap Ring
8	117-6184	1	Spacer
9	119-8558	2	Bearing-Noseal

● Not serviced separately



## Deflector Assembly No. 120-2451

<i>Ref.</i>	<i>Part Number</i>	<i>Qty.</i>	<i>Description</i>
1	3231-4	4	Screw-CARR
2	106-3246-01	1	Deflector
3	106-3248-03	1	Strap-Discharge
4	110-0759	1	Deflector-Rubber
5	108-4059-01	1	Plate-Hinge, Rear
6	106-3253-01	1	Plate-Hinge, Front
7	104-8301	4	Nut-Flange, NI

# Attachments and Accessories

## For 74578 GrandStand Mower With 48in TURBO FORCE Cutting Unit

<b>Product Name</b>	<b>Model/Part</b>
Standard High Lift Blade .....	107-3192-03
Blade-Low Flow, 16.5in.....	107-3193-03
Blade-Mid Flow, 16.5in .....	107-3194-03
Blade-Atomic, 16.5in .....	107-3195-03
Blade-Recycling, 16.5in.....	107-3196-03
Bagging Enhancement Kit .....	108-4091
Blade-Hi Flow, 16.5in (6 Pack).....	110-0414
Blade-Lo Flow, 16.5in (6 Pack) .....	110-0415
Blade-Recycler, 16.5in (6 Pack).....	110-0416
Blade-Atomic, 16.5in (6 Pack) .....	110-0417
Blade-Mid Flow, 16.5in (6 Pack) .....	110-0418
Weight-Cast.....	112-7059-01
Light Kit.....	114-3505
Striping Kit .....	114-3521
Hypr-Oil 500 (quart).....	114-4713
Hypr-Oil 500 (gallon).....	114-4714
Hypr-Oil 500-5 (5 gallon).....	114-4715
Recycler Kit .....	117-0540
Weight Kit .....	117-3620
Chute Gate Kit With Bag.....	119-7292
Speed Control Kit.....	119-7390
Trash Bag Kit.....	121-7530
Soft Bag (3 Bushel).....	30104
Spark Arrestor .....	98-9099

**Notes:**

**Notes:**



**Count on it.**