



Count on it.

Parts Catalog

GrandStand® Mower

With 60in TURBO FORCE® Cutting Unit

Model No. 74583—Serial No. 313000001 and Up



Ordering Replacement Parts

To order replacement parts, please supply the part number, the quantity, and the description of each part desired.

Understanding Reference Numbers

Each identified part in an illustration has a reference number. The reference number for a part also appears in the parts list, along with other information about the part.

This catalog uses two special reference number formats, one to indicate parts in a service assembly and another to indicate the quantity of a given part in an illustration.

Service Assembly Reference Numbers

Parts in service assemblies have reference numbers in the form a:b. The a represents the reference number of the entire service assembly and the b represents a sequential number unique to each part within the service assembly.

For example, a wheel assembly might be identified by reference number 6, the tire by 6:1, the valve by 6:2, and the wheel by 6:3. When you order the assembly identified by reference number 6, you receive all parts identified by reference numbers 6:1, 6:2, and 6:3. However, you may also order any part individually. Reference numbers of this type appear in illustration and in parts lists.

Reference Numbers Indicating Quantity

In an illustration, if a reference number indicates more than one part, the reference number has the form nX y. The n represents the quantity of the part, the X is the multiplication symbol, and the y represents the reference number.

For example, in an illustration, the reference number 2X 37 means that two of the parts identified by reference number 37 are indicated.

List of Abbreviations

AR: as required

ASM: assembly

BBC: blade brake control

BHTF: button head thread forming

CARR: carriage

CCW: counter clockwise

CW: clockwise

DEG: degrees

DPA: Dual Point Adjustment

ECM: electronic control module

EXT: external

FH: flat head

GA: gauge

HD: heavy-duty

HF: hex flange

HH: hex head

HHF: hex head flange

HHFTF: hex head flange thread forming

HJ: hex jam

HLH: hex lag head

HOC: height-of-cut

HSBH: hex socket button head

HSFH: hex socket flat head

HSH: hex socket head

HWH: hex washer head

HWHTF: hex washer head thread forming

HYD: hydraulic

LH: left hand

LP: Liquefied Petroleum Gas

LPG: Liquefied Petroleum Gas

NI: nylon insert

NPTF: national pipe thread fine

PFH: phillips flat head

PPH: phillips pan head

PPHTF: phillips pan head thread forming

PRH: phillips round head

PTH: phillips truss head

PTO: power-take-off

RH: right hand

ROPS: roll-over protection system

RRB: rear roller brush

SFH: slotted fillister head

SHH: slotted hex head

SHWH: slotted hex washer head

SPH: slotted pan head

SQH: square head

SRH: slotted round head

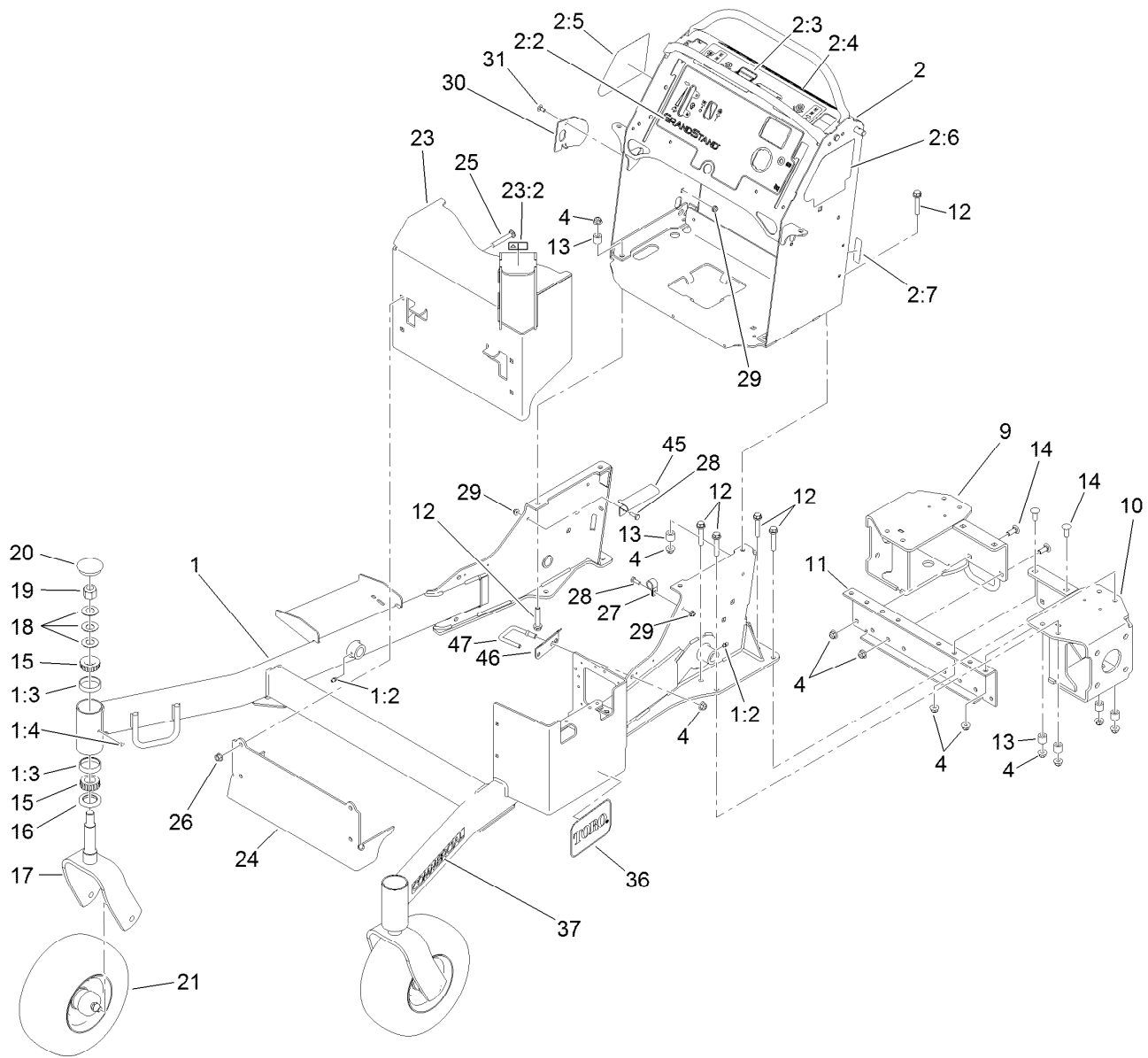
STD: standard

TAP: self tapping

TTH: torx truss head

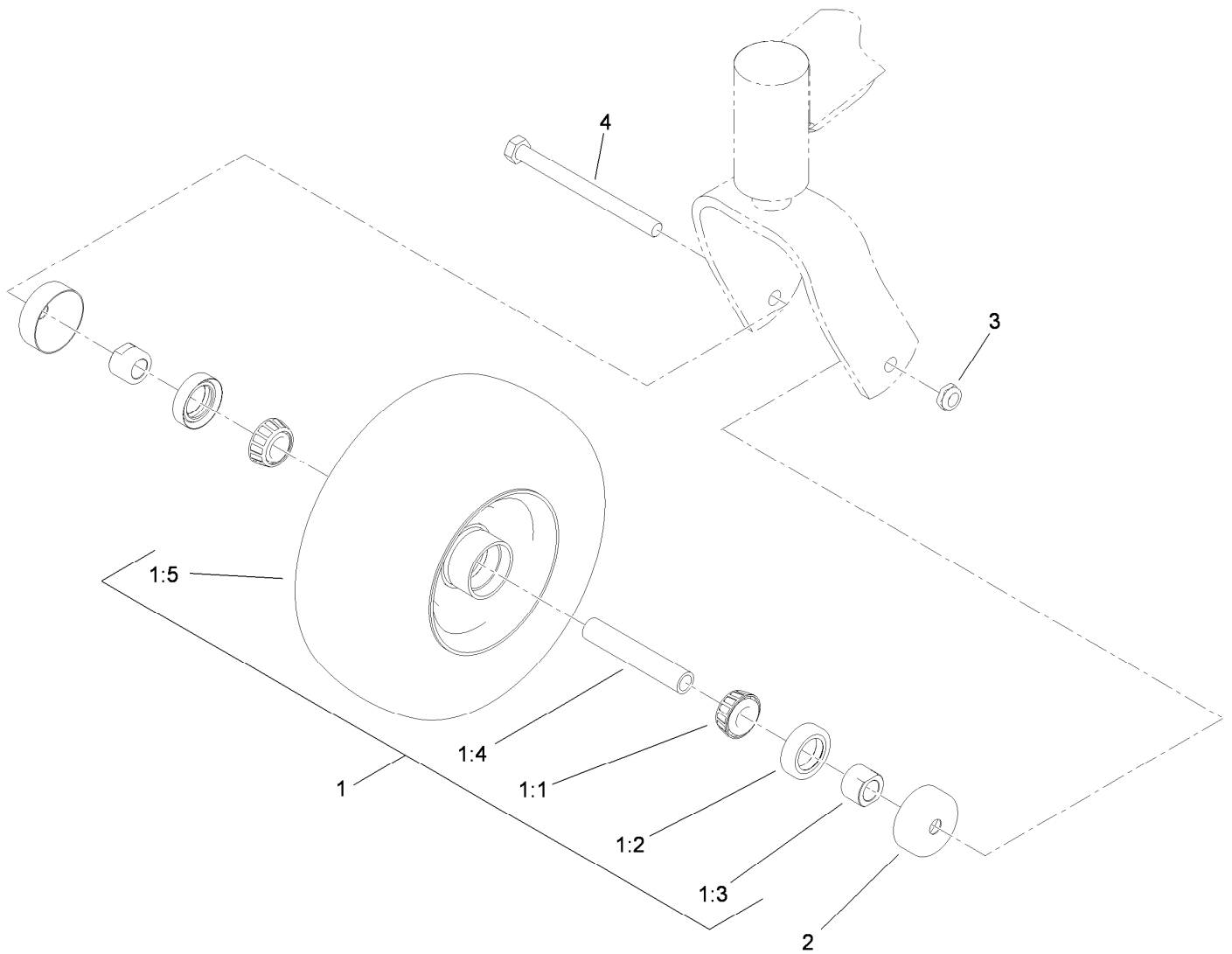
Contents

Frame Assembly.....	4
Wheel and Bearing Assembly No. 112-3810.....	5
Parking Brake Assembly.....	6
Decklift Assembly.....	7
Platform Assembly.....	9
Cushion Assembly No. 119-8742.....	10
Platform Assembly No. 117-9640.....	11
Ground Drive Assembly.....	12
Hydraulic Motor Assembly No. 114-0549.....	13
Pump Idler Assembly.....	14
Hydraulic System Assembly.....	15
Hydraulic Pump Assembly No. 125-4672.....	16
Control Assembly.....	17
Fuel Tank Assembly.....	18
Vent Hose Assembly.....	19
Electrical Assembly.....	20
Engine Assembly.....	22
Deck Assembly.....	23
Deck Decal Assembly No. 120-6414.....	24
Right Hand Idler Assembly No. 121-5970.....	25
Left Hand Idler Assembly No. 121-5965.....	26
Spindle Assembly No. 119-8560.....	27
Deflector Assembly No. 120-2451.....	28
Attachments and Accessories.....	29



Frame Assembly

Ref.	Part Number	Qty.	Description	Ref.	Part Number	Qty.	Description
1	121-5995	1	Front Frame ASM	18	1-633508	6	Washer-Bellville
1:2	302-5	4	Fitting-Grease	19	3296-51	2	Nut-Lock, NI
1:3	1-543508	4	Cup-Bearing	20	103-4882	2	Cap-Grease
1:4	1-811010	2	Plug	21	112-3810	2	Wheel/Tire And Bearing ASM
2	121-5950	1	Control Tower ASM	23	116-6373	1	Muffler Guard ASM
2:2	120-6497	1	Decal-Control Panel, Efi	23:2	106-5517	1	Decal-Warning, Hot Surface
2:3	119-8727	1	Decal-Opc	24	116-3113-01	1	Panel-Guard
2:4	117-3626	1	Decal-Warning	25	3231-31	4	Screw-CARR
2:5	117-0456	1	Decal-HOC	26	32128-21	4	Nut-HF
2:6	121-5972	1	Decal-Aid, Service	27	2412-87	1	Clamp-Cable
2:7	116-3267	1	Decal-Fuse	28	321-4	2	Screw-HH
4	104-8301	22	Nut-Flange, NI	29	104-7201	3	Nut-HF
9	119-7222-01	1	RH Motor Mount ASM	30	119-7312	1	Plate-Striker
10	119-7220-01	1	LH Motor Mount ASM	31	3229-11	1	Screw-CARR
11	119-7224-01	1	Mount-Motor, Center	36	68-3640	1	Decal
12	108-3742	12	Screw-HHF	37	117-3591	2	Decal-Commercial
13	121-1760	12	Spacer	45	116-5067	1	Bracket-Hose, Fuel (Double)
14	3231-22	8	Screw-CARR	46	121-6003	2	Guard-Hose
15	1-543509	4	Bearing-Roller, Tapered	47	121-6004	2	Guide-Hose
16	1-543511	2	Seal-Grease				
17	103-8618-01	2	Fork-Caster				

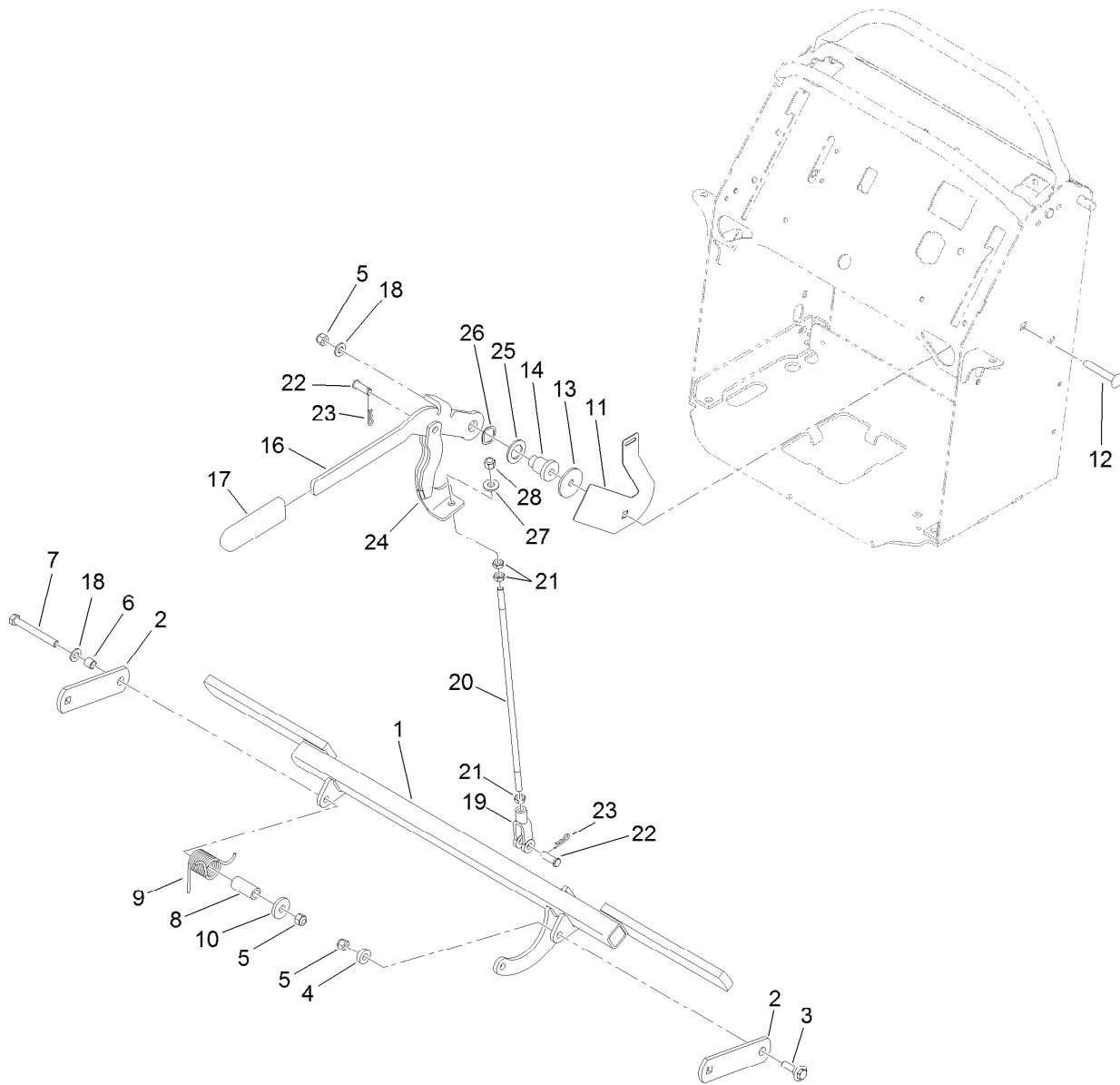


Wheel and Bearing Assembly No. 112-3810

Ref.	Part Number	Qty.	Description
1		1	Wheel And Bearing ASM ●
1:1	1-633585	2	Bearing-Cone, Taper
1:2	103-0063	2	Seal-Caster
1:3	103-3051	2	Spacer-Nut ■
1:4	103-3157	1	Axle-Caster
1:5	110-9965	1	Wheel And Tire ASM
2	103-2768	2	Guard-Seal
3	3296-45	1	Nut-Lock, NI
4	325-20	1	Screw-HH

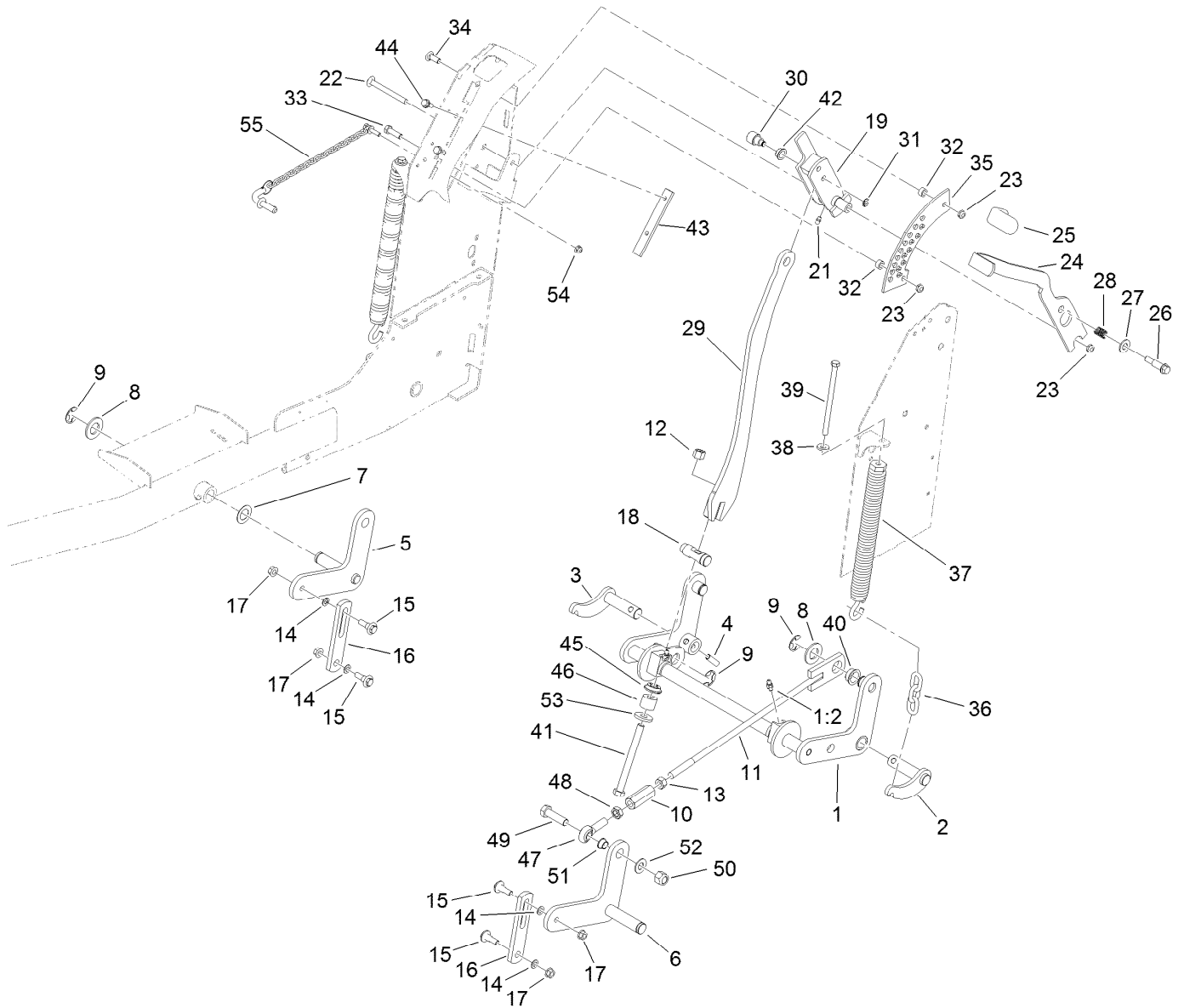
● Not serviced separately

■ Use Pro-Lock, Nut Type (P/N 1-840022, .5ml tube) on spacer nut



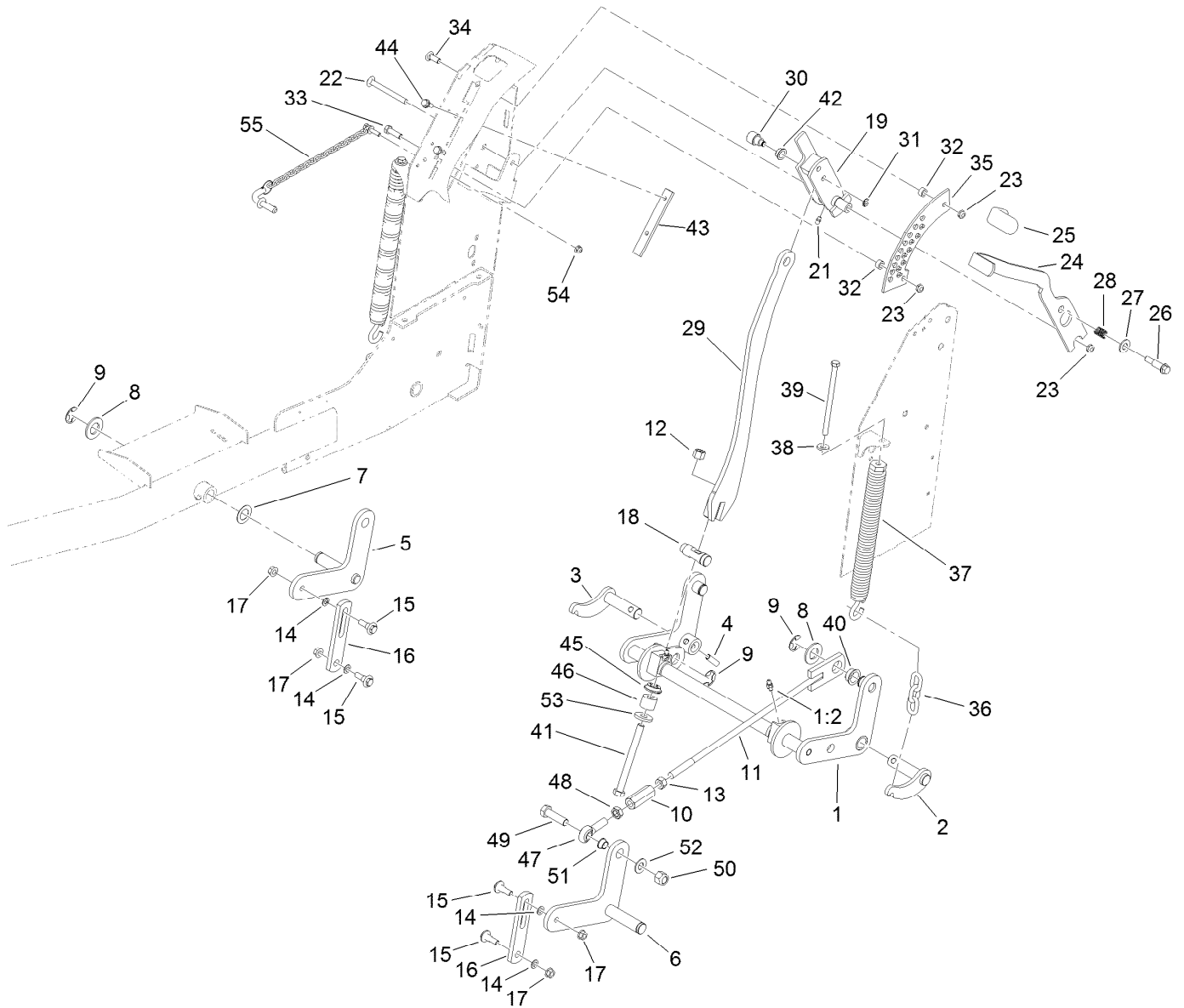
Parking Brake Assembly

Ref.	Part Number	Qty.	Description	Ref.	Part Number	Qty.	Description
1	119-8730-03	1	Brake Bar ASM	16	117-5759-03	1	Lever-Brake
2	114-5186-01	2	Support-Brake	17	1-633268	1	Grip-Lever
3	614672	1	Bolt-Shoulder	18	3256-24	2	Washer-Flat
4	5-0652	1	Spacer	19	1-633131	1	Yoke-Linkage, Brake
5	104-8301	3	Nut-Flange, NI	20	119-7244	1	Rod-Brake
6	117-9684	1	Spacer	21	3220-3	3	Nut-HJ
7	323-20	1	Screw-HH	22	283-2	2	Pin-Clevis
8	117-9683	1	Spacer	23	3290-307	2	Pin-Hair
9	117-9682	1	Spring-Torsion	24	119-8780-03	1	Brake Arm ASM
10	1-373034	1	Washer	25	1-303007	1	Washer
11	117-0452-03	1	Plate-Switch, Brake	26	106-5335	1	Washer-Wave
12	3231-44	1	Screw-CARR	27	98-5975	1	Washer-Belleville
13	63-7400	1	Washer-Rebound	28	3296-6	1	Nut-Lock
14	106-3214	1	Mount-Pulley				



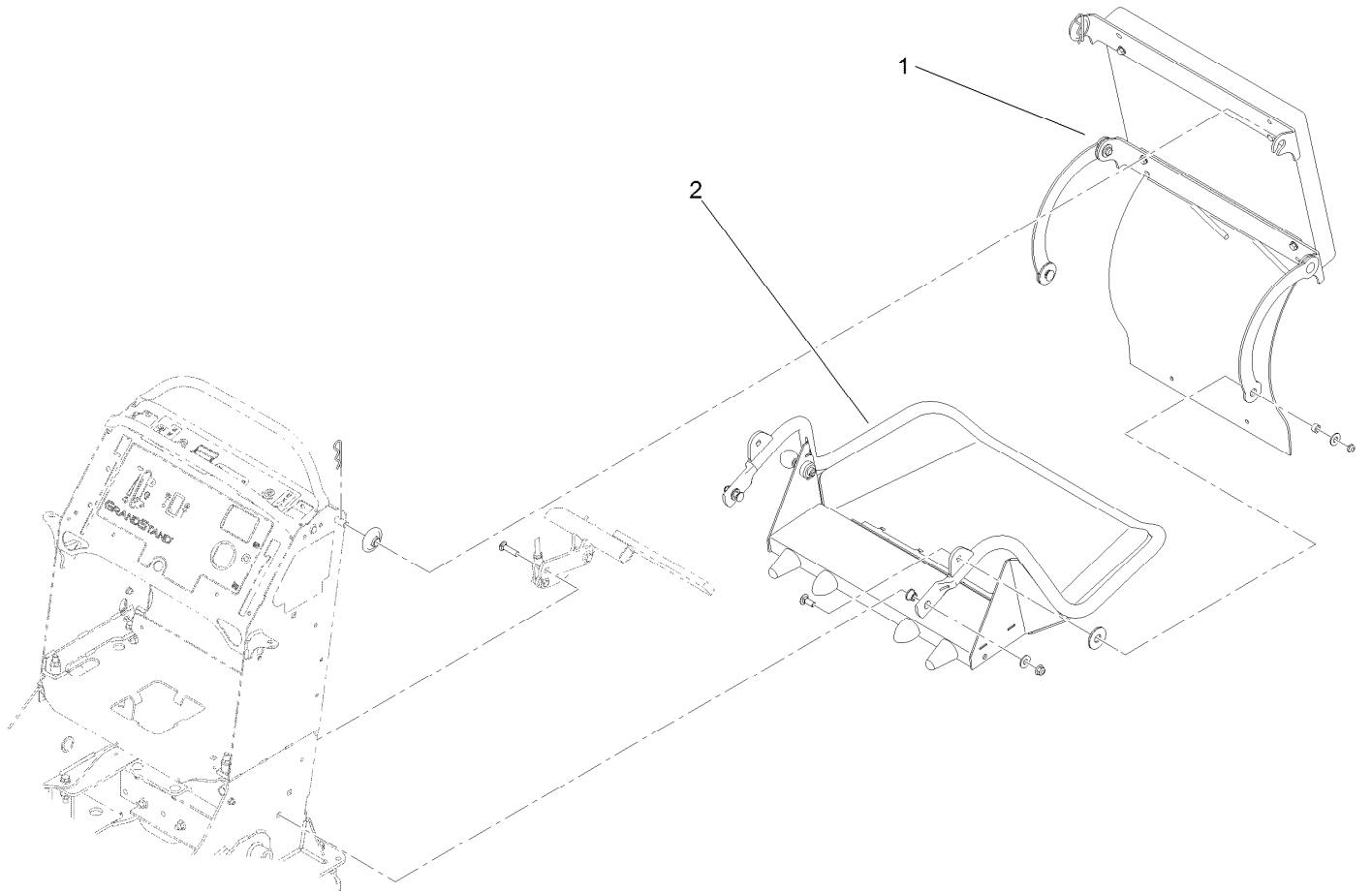
Decklift Assembly

Ref.	Part Number	Qty.	Description	Ref.	Part Number	Qty.	Description
1	116-3103	1	Rear Crossshaft ASM	22	3231-24	1	Screw-CARR
1:2	302-11	2	Fitting-Lube, 45 DEG	23	3296-59	3	Nut-Lock, NI
2	116-3104-01	1	LH Pivot Shaft ASM	24	114-1878-03	1	Lever-HOC
3	116-3105-01	1	RH Pivot Shaft ASM	25	1-633268	1	Grip-Lever
4	116-3107	2	Pin-Spiral	26	66-0561	1	Screw-Shoulder
5	121-5999-01	1	RH Lift Arm ASM	27	3256-26	1	Washer-Flat
6	121-5998-01	1	LH Lift Arm ASM	28	65-9940	1	Spring
7	110-6767	2	Washer-Thrust	29	116-2939	1	Bar-Lift
8	3256-29	4	Washer-Flat	30	116-3048	1	Hub-Pivot
9	32151-103	5	Ring-Retaining, EXT	31	32151-47	1	Ring-Retaining
10	119-7250	2	Link-Lift	32	111044	2	Spacer
11	119-7306	2	Lift Rod ASM	33	323-7	1	Screw-HH
12	3296-23	1	Nut-Lock, NI	34	3231-22	1	Screw-CARR
13	3217-9	2	Nut-HH	35	114-5307	1	Bracket-HOC
14	40-1940	4	Washer	36	103-9859	2	Chain-Decklift
15	109-9840	4	Screw-Shoulder, HHF	37	116-0886	2	Extension Spring ASM
16	117-0519	2	Link-Lift	38	98-5975	2	Washer-Belleville
17	32128-21	4	Nut-HF	39	323-58	2	Bolt-TAP, HH
18	114-5274	1	Pin-HOC	40	116-2909	2	Bearing-Flange
19	114-3512	1	HOC Handle ASM	41	325-22	1	Screw-HH
21	302-5	1	Fitting-Grease	42	116-3047	1	Bearing-Flange



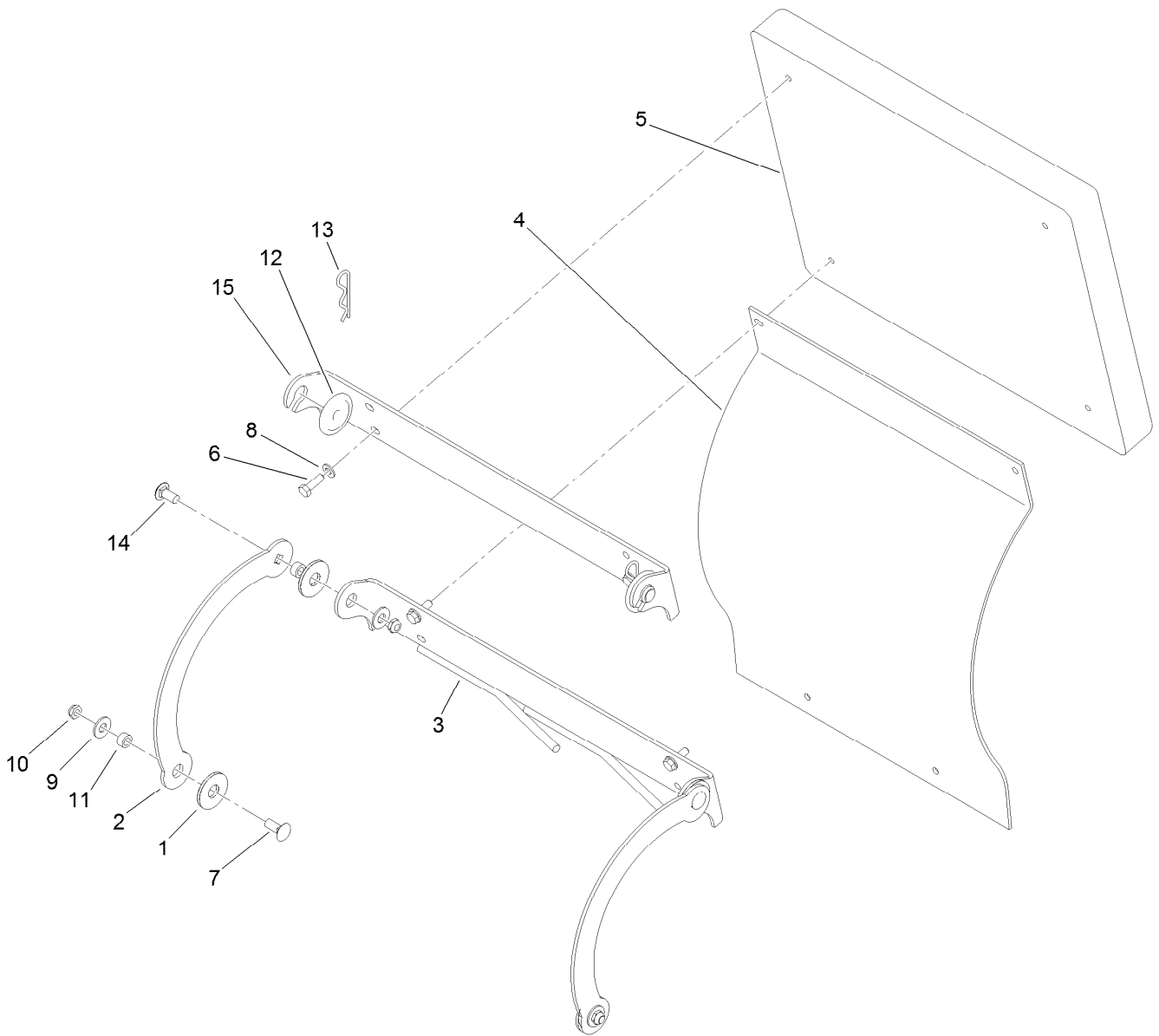
Decklift Assembly (continued)

<i>Ref.</i>	<i>Part Number</i>	<i>Qty.</i>	<i>Description</i>	<i>Ref.</i>	<i>Part Number</i>	<i>Qty.</i>	<i>Description</i>
43	116-3124	1	Skid-Handle, Lift	50	3296-53	2	Nut-Lock, NI
44	32144-70	2	Screw-HWHTF	51	80-1290	2	Bushing
45	116-3625	1	Seat-Spring	52	3256-27	2	Washer-Flat
46	116-3241	1	Spring-Urethane	53	92-2651	1	Washer
47	117-5291	2	Balljoint-Spherical	54	104-7201	1	Nut-HF
48	117-5293	2	Nut-Jam	55	114-0409	1	HOC Pin ASM
49	327-22	2	Screw-HH				



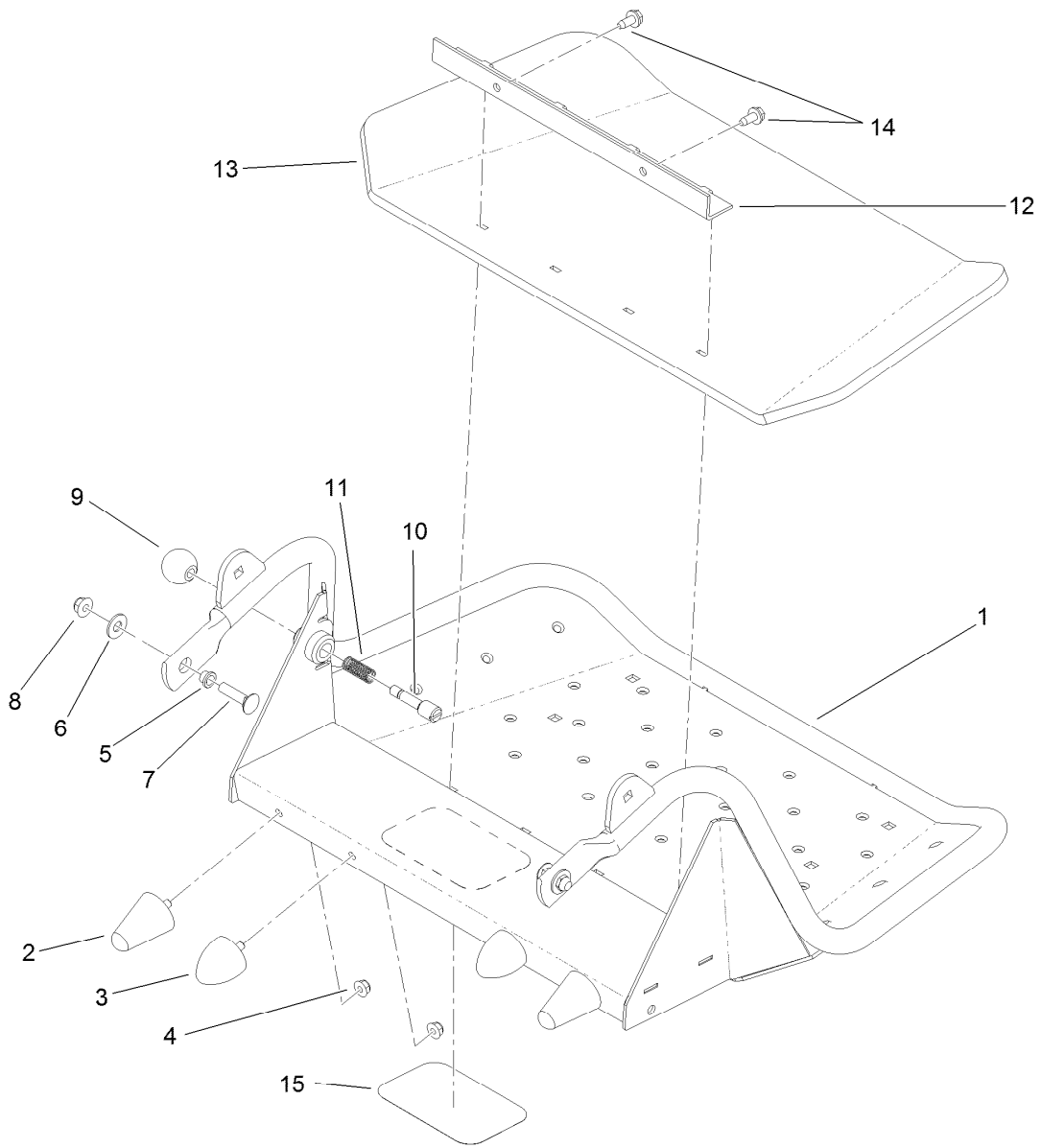
Platform Assembly

<i>Ref.</i>	<i>Part Number</i>	<i>Qty.</i>	<i>Description</i>
1	119-8742	1	Cushion ASM
2	117-9640	1	Platform ASM



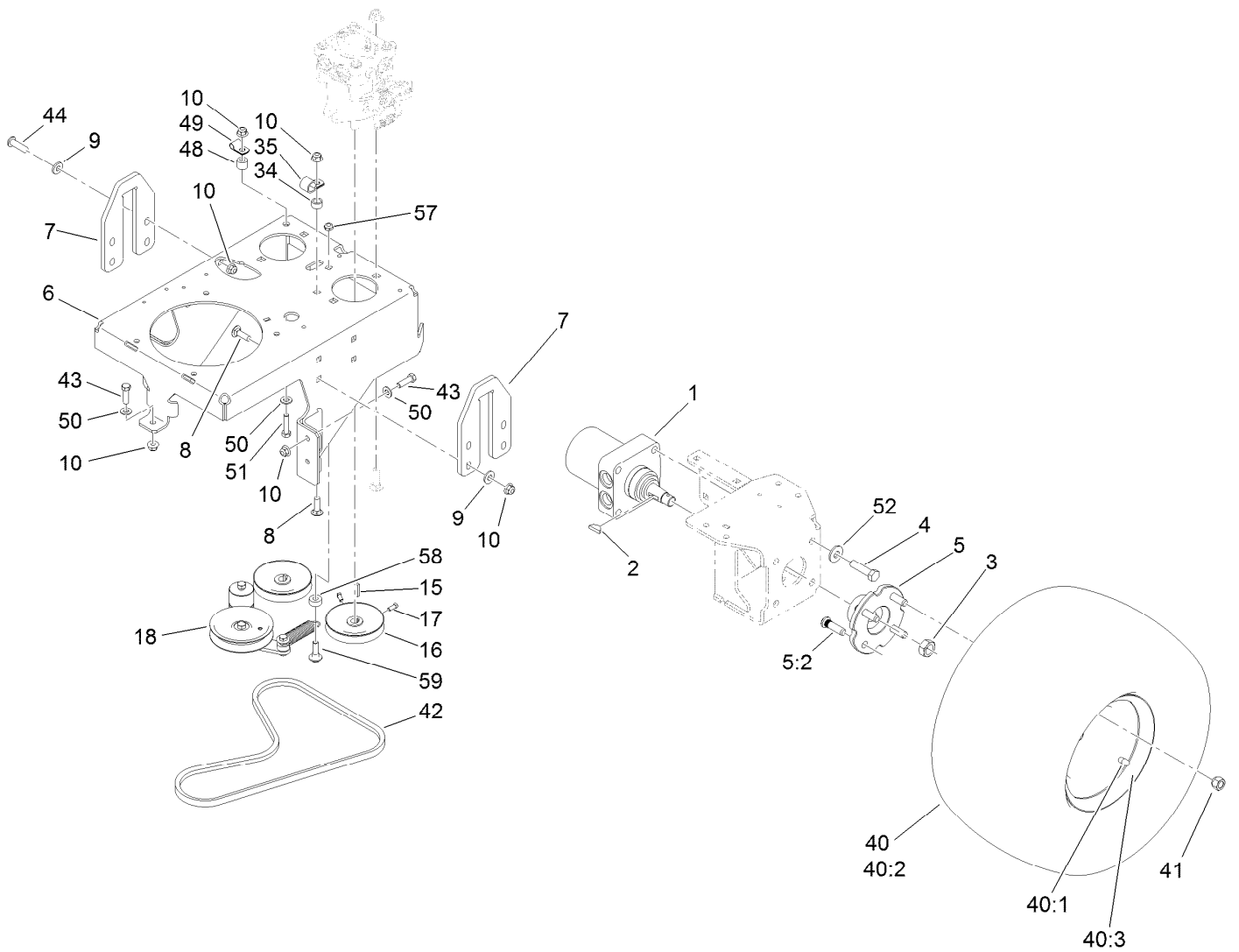
Cushion Assembly No. 119-8742

<i>Ref.</i>	<i>Part Number</i>	<i>Qty.</i>	<i>Description</i>
1	114-0463	4	Washer-Friction, Composite
2	114-1915-01	2	Link-Pad
3	119-7369-03	1	Lower Hinge ASM
4	114-1919	1	Shield-Rear
5	117-9739	1	Pad-Cushion
6	322-5	4	Screw-HH
7	3231-2	2	Bolt-CARR
8	3256-23	4	Washer-Flat
9	3256-4	4	Washer-Flat
10	3296-59	4	Nut-Lock, NI
11	111044	4	Spacer
12	116-2886	2	Slide-Bushing
13	3290-355	2	Pin-Hair
14	3231-27	2	Screw-CARR
15	116-2757-03	1	Hinge-Pad



Platform Assembly No. 117-9640

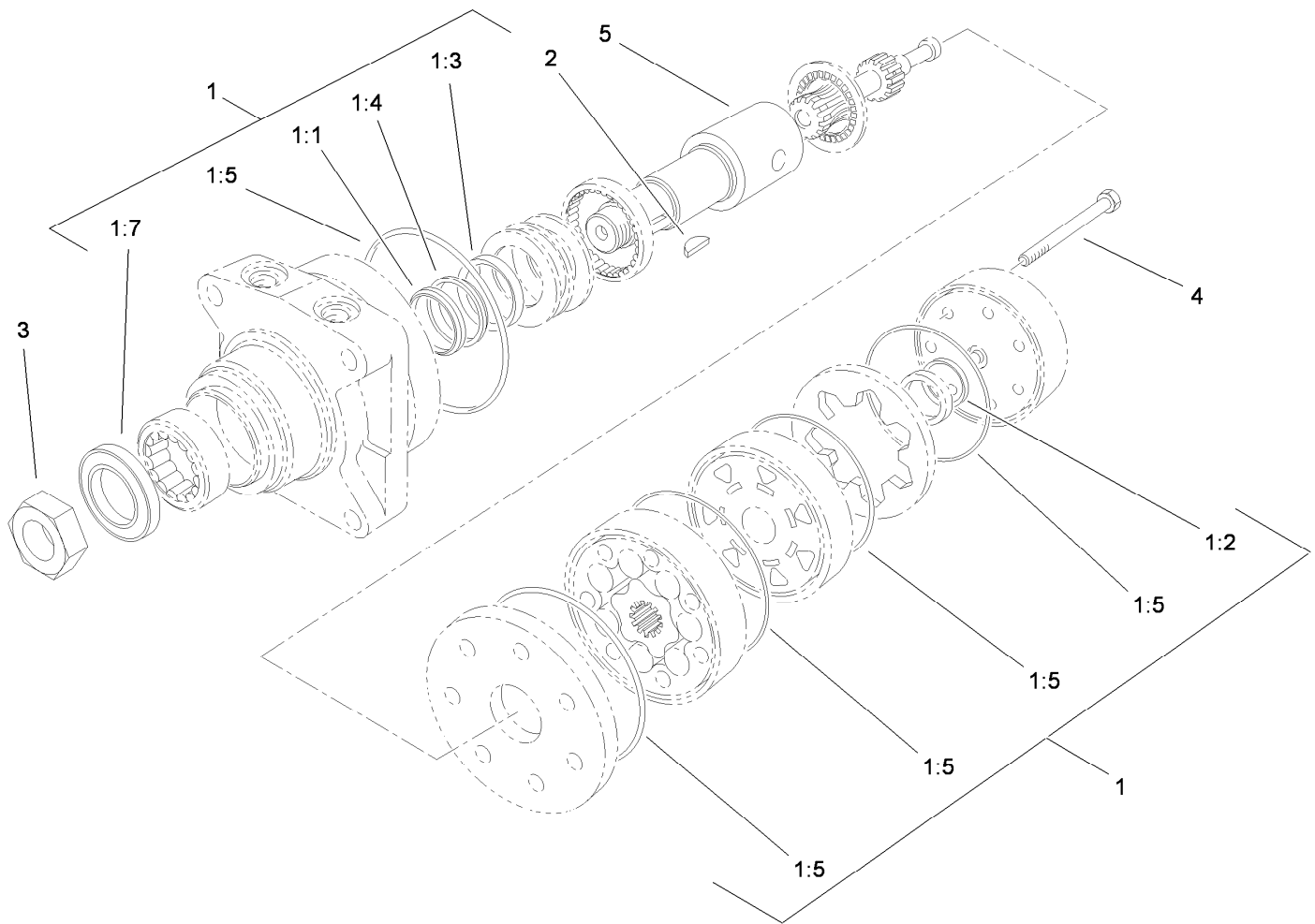
<i>Ref.</i>	<i>Part Number</i>	<i>Qty.</i>	<i>Description</i>
1	117-9641-01	1	Platform ASM
2	114-1925	2	Bumper-Rubber
3	114-1926	2	Bumper-Rubber
4	104-8300	4	Nut-Flange, NI
5	109-8788	2	Bushing-Flanged
6	3256-4	2	Washer-Flat
7	3231-4	2	Screw-CARR
8	104-8301	2	Nut-Flange, NI
9	1-603175	1	Knob-Ball
10	119-8650	1	Pin-Latch
11	114-5348	1	Spring
12	114-1920-03	1	Clamp-Shield
13	114-5349	1	Mat-Foot
14	32144-70	2	Screw-HWHTF
15	68-3640	1	Decal



Ground Drive Assembly

Ref.	Part Number	Qty.	Description	Ref.	Part Number	Qty.	Description
1	114-0549	2	HYD Motor ASM	40	120-6465	2	Wheel/Tire ASM
2	3257-8	2	Key-Woodruff	40:1	116-4605	1	Rim-8 Inch
3	85-7310	2	Nut-Motor, Wheel	40:2	120-6466	1	Tire
4	325-8	8	Screw-HH	40:3	232-27	1	Stem-Valve
5	105-0800	2	Wheel Hub ASM	41	242-50	8	Nut-Lug
5:2	10-6830	4	Stud-Type, Drive	42	114567	1	Belt-V, Lower PTO
6	120-6456-01	1	Base-Engine	43	3234-42	5	Screw-HHF
7	119-8662	2	Plate-Lift	44	3274-63	1	Screw-HSBH
8	3231-25	8	Bolt-CARR	48	121-1760	1	Spacer
9	98-5975	8	Washer-Belleville	49	116-3362	1	Clip-Tube
10	104-8301	15	Nut-Flange, NI	50	3256-24	1	Washer-Flat
15	1-807272	2	Key	51	323-8	1	Screw-HH
16	105-5648	2	Pulley-Pump	52	1-513435	8	Washer-Spring
17	3241-5	4	Screw-Set	57	3296-59	1	Nut-Lock, NI
18		1	Pump Idler ASM ●	58	104-8426	1	Spacer
34	1-653069	1	Spacer-Wheel	59	614672	1	Bolt-Shoulder
35	1-633396	1	Clip-Loom				

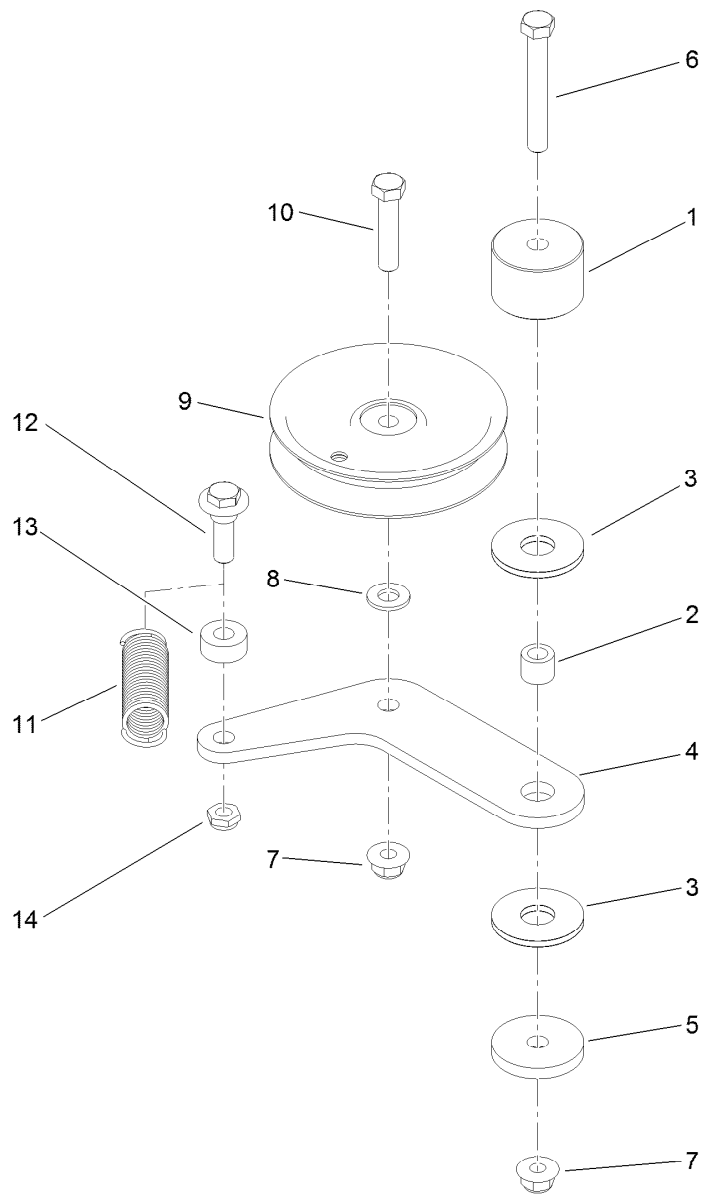
● Not serviced separately



Hydraulic Motor Assembly No. 114-0549

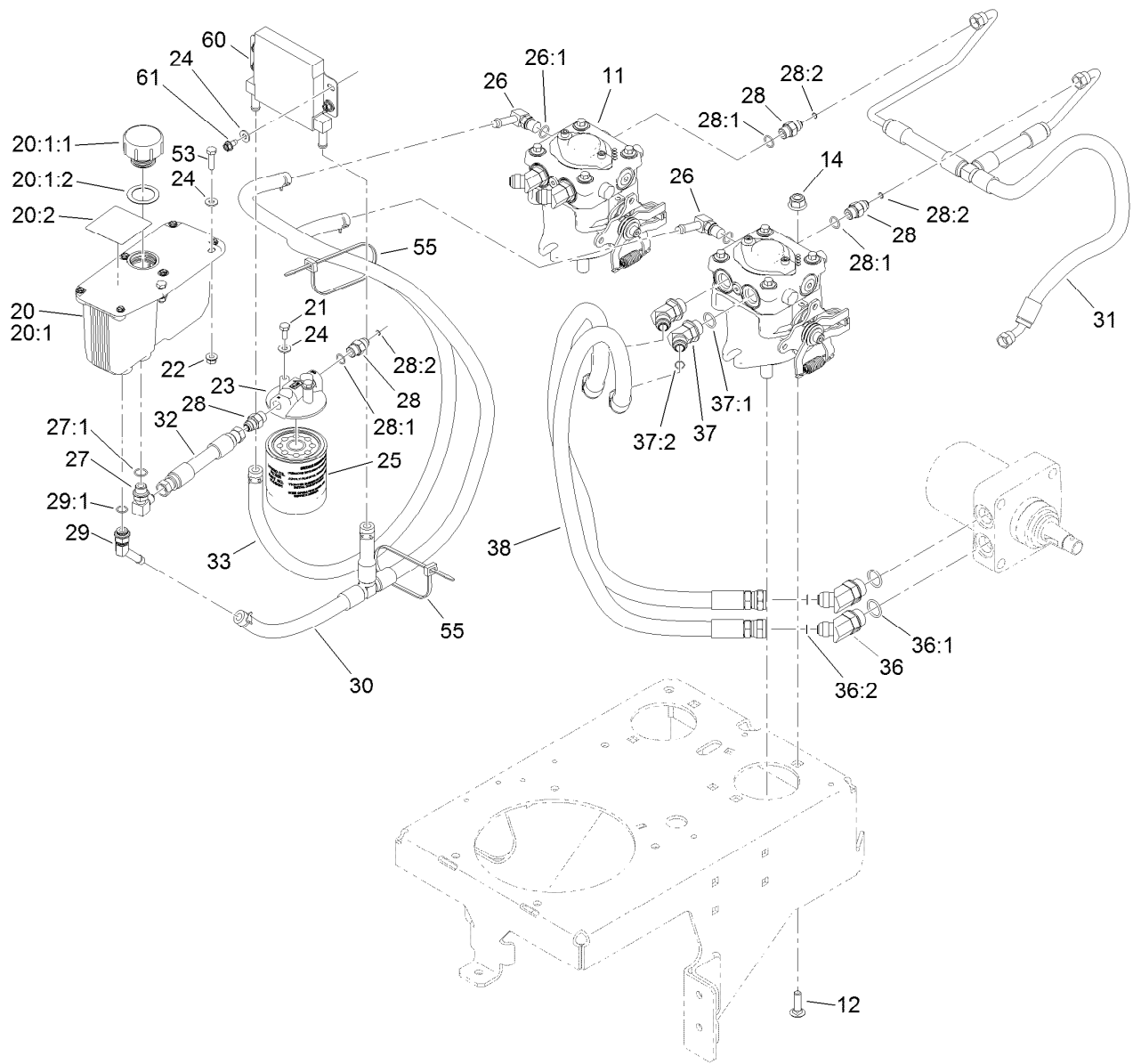
Ref.	Part Number	Qty.	Description
1	1-000119	1	Seal Kit
1:1		1	Ring-Back Up ●
1:2		1	Seal-Commutator ●
1:3		1	Seal-Shaft (Viton) ●
1:4		1	Washer-Back Up, Steel ●
1:5		5	Ring-Seal (Viton) ●
1:7		1	Seal-Dirt And Water ●
2	3257-8	1	Key-Woodruff
3	85-7310	1	Nut-Motor, Wheel
4	106-5549	6	Bolt-Special
5	106-8764	1	Shaft-Coupling

● Not serviced separately



Pump Idler Assembly

<i>Ref.</i>	<i>Part Number</i>	<i>Qty.</i>	<i>Description</i>
1	117-3568	1	Hub-Idler
2	1-413088	1	Bushing-Lever, Lift
3	114-0463	2	Washer-Friction, Composite
4	119-8737	1	Plate-Idler
5	110-9981	1	Washer-Plain
6	323-13	1	Screw-HH
7	104-8301	2	Nut-Flange, NI
8	3256-24	1	Washer-Flat
9	93-1622	1	Pulley-Idler
10	323-9	1	Screw-HH
11	108-4056	1	Spring-Extension
12	614672	1	Bolt-Shoulder
13	104-8426	1	Spacer
14	3296-59	1	Nut-Lock, NI

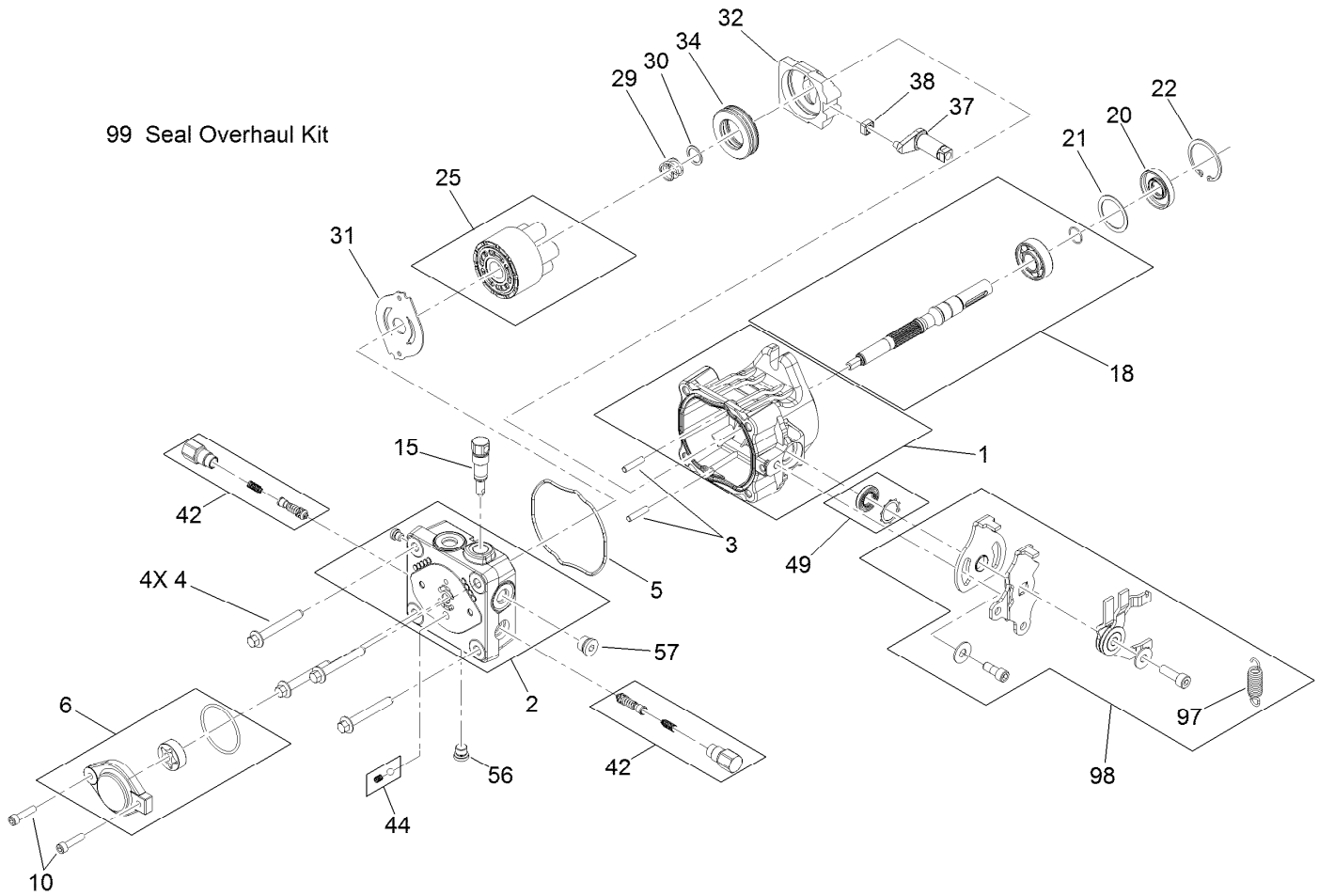


Hydraulic System Assembly

Ref.	Part Number	Qty.	Description	Ref.	Part Number	Qty.	Description
11	125-4672	2	Hydraulic Pump ASM	28:2	103-1020	1	O-Ring
12	3232-3	4	Bolt-CARR	29	103-1807	1	Fitting-Barbed, 45 DEG
14	114-8417	4	Nut-HF, NI	29:1	237-42	1	O-Ring
20	107-8433	1	HYD Reservoir ASM	30	121-5981	1	Case Drain Hose ASM
20:1		1	Reservoir-HYD ●	31	121-5968	1	Charge Hose ASM
20:1:1	103-1948	1	Cap-Reservoir, HYD	32	121-5983	1	HYD Hose ASM
20:1:2	103-1949	1	Gasket-Cap	33	121-5982	1	Case Drain Hose ASM
20:2	115-4212	1	Decal-Warning	36	1-523222	4	Fitting-HYD, 45 DEG
21	321-3	2	Screw-HH	36:1	1-603919	1	O-Ring
22	32128-32	2	Nut-HHF	36:2	1-603992	1	O-Ring
23	104-7836	1	Head-Filter	37	1-523221	4	Fitting-HYD, 45 DEG
24	3256-22	8	Washer-Flat	37:1	1-603920	1	O-Ring
25	114-3494	1	Element-Filter, 25 Micron	37:2	1-603992	1	O-Ring
26	100-4887	2	Fitting-Barbed, 90 DEG	38	116-6902	4	HYD Hose ASM
26:1	237-42	1	O-Ring	53	321-6	2	Screw-HH
27	103-1802	1	Fitting-HYD, 90 DEG	55	3290-378	2	Tie-Cable
27:1	1-603921	1	O-Ring	60	116-7205	1	Cooler-Oil
28	103-2156	4	Fitting-Straight	61	32104-17	4	Screw-HWH
28:1	1-603921	1	O-Ring				

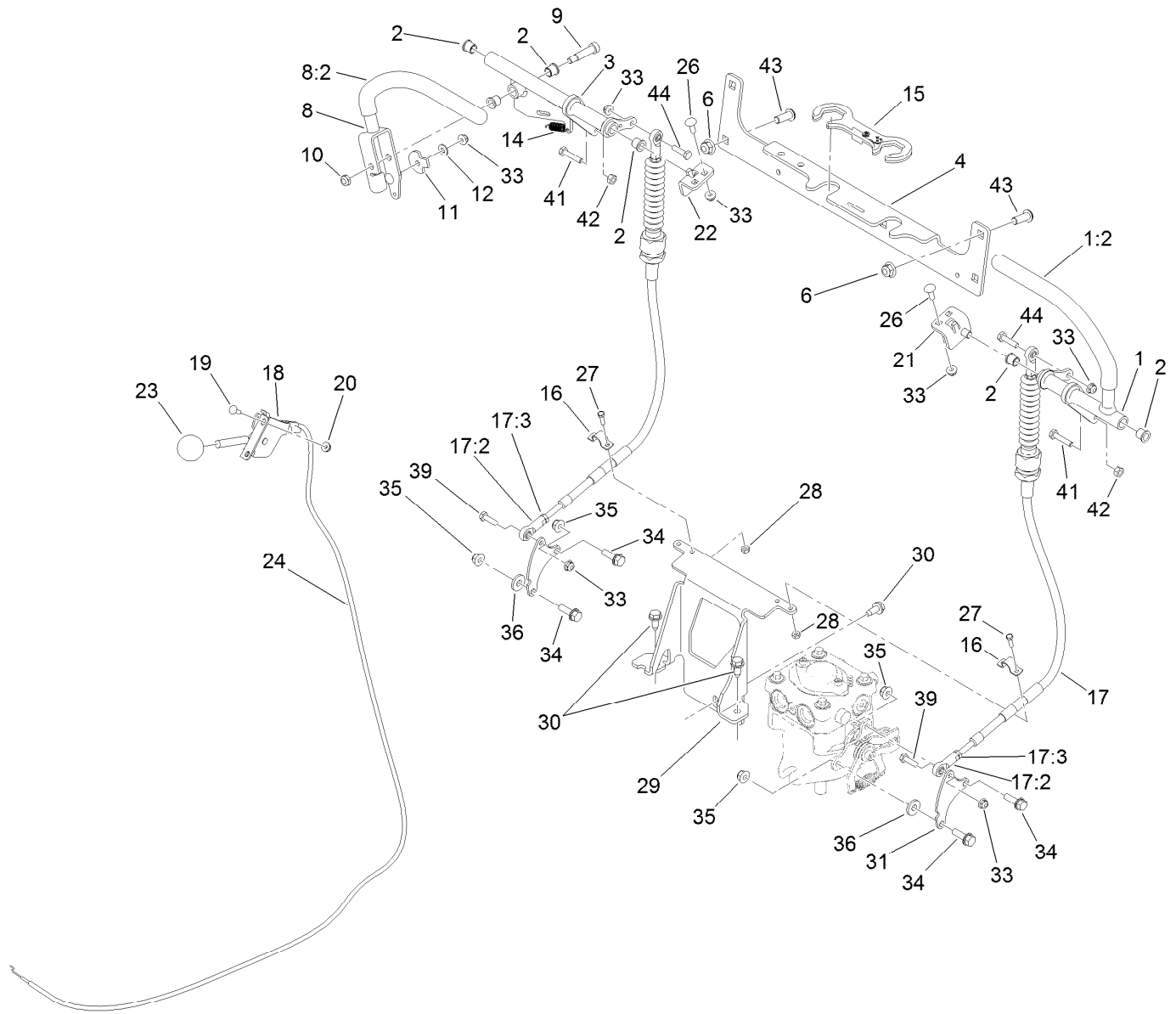
● Not serviced separately

99 Seal Overhaul Kit



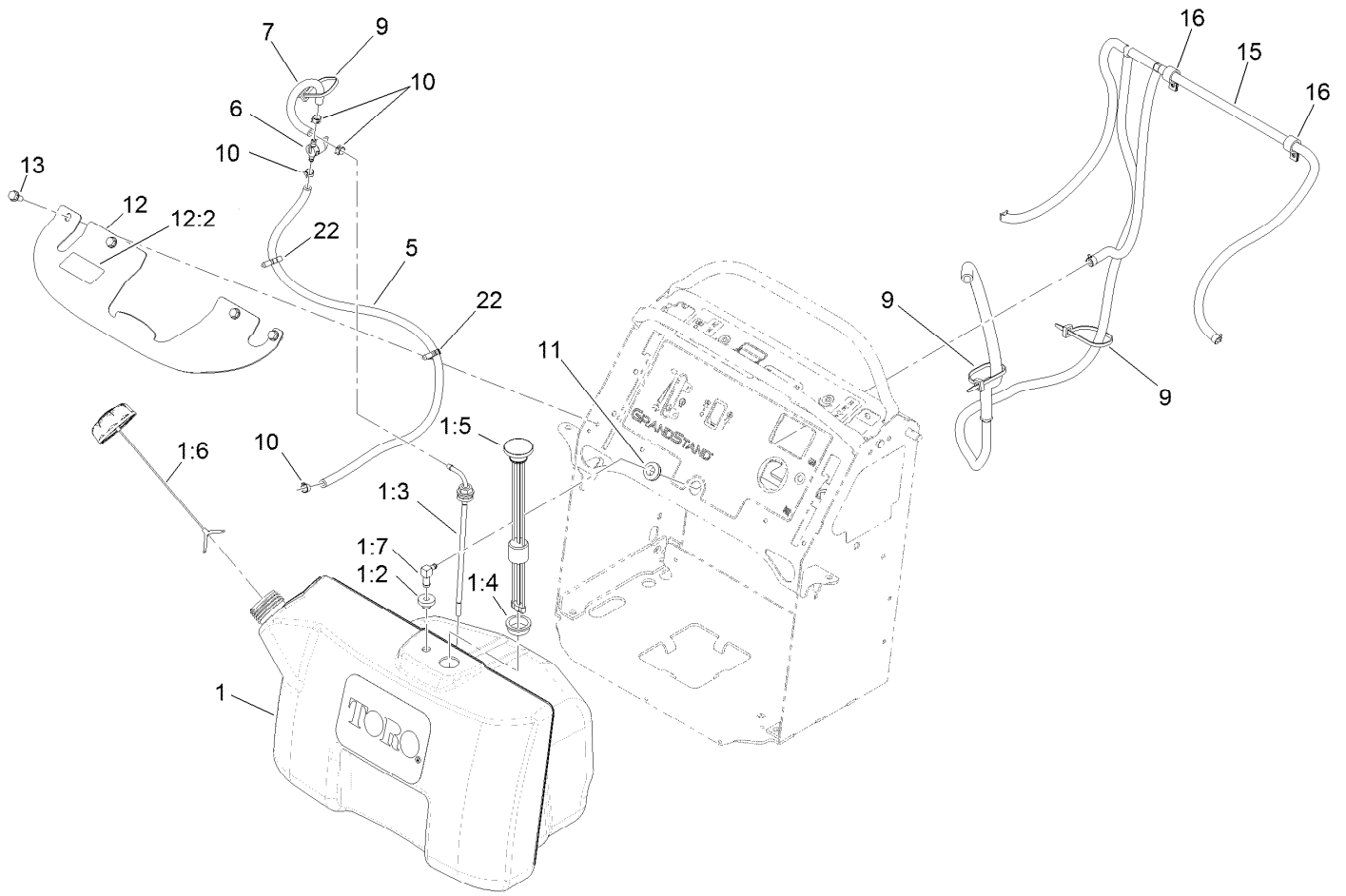
Hydraulic Pump Assembly No. 125-4672

Ref.	Part Number	Qty.	Description	Ref.	Part Number	Qty.	Description
1	115-4464	1	Housing Kit	31	105-6185	1	Plate-Valve
2	106-8752	1	End Cap Kit (W/Poppets)	32	94-1907	1	Swashplate-Variable
3	106-8753	2	Pin-Headless, Straight	34	94-6922	1	Bearing-Thrust
4	106-8754	4	Bolt-HF	37	115-4458	1	Arm-Trunnion, Tapered Square
5	125-4682	1	O-Ring	38	94-1910	1	Guide-Slot
6	106-8756	1	Charge Pump Kit	42	125-4683	2	Shock Valve Kit
10	104-2111	2	Capscrew	44	112-4164	1	Charge Relief Kit
15	106-8759	1	Bypass Valve Kit	49	106-8761	1	Trunnion Seal / Retainer Kit
18	103-2664	1	Input Shaft Kit	56	106-8762	1	Plug-HSH
20	104-5310	1	Seal-Lip	57	104-2189	1	Plug-Thread, Straight
21	104-5308	1	Spacer	97	125-4684	1	Spring-Extension
22	104-5309	1	Ring-Retaining	98	115-4046	1	Return Kit
25	103-2666	1	Cylinder Block Kit	99	105-6184	1	Seal Overhaul Kit
29	94-1936	1	Spring-Block				
30	94-1937	1	Washer-Thrust				



Control Assembly

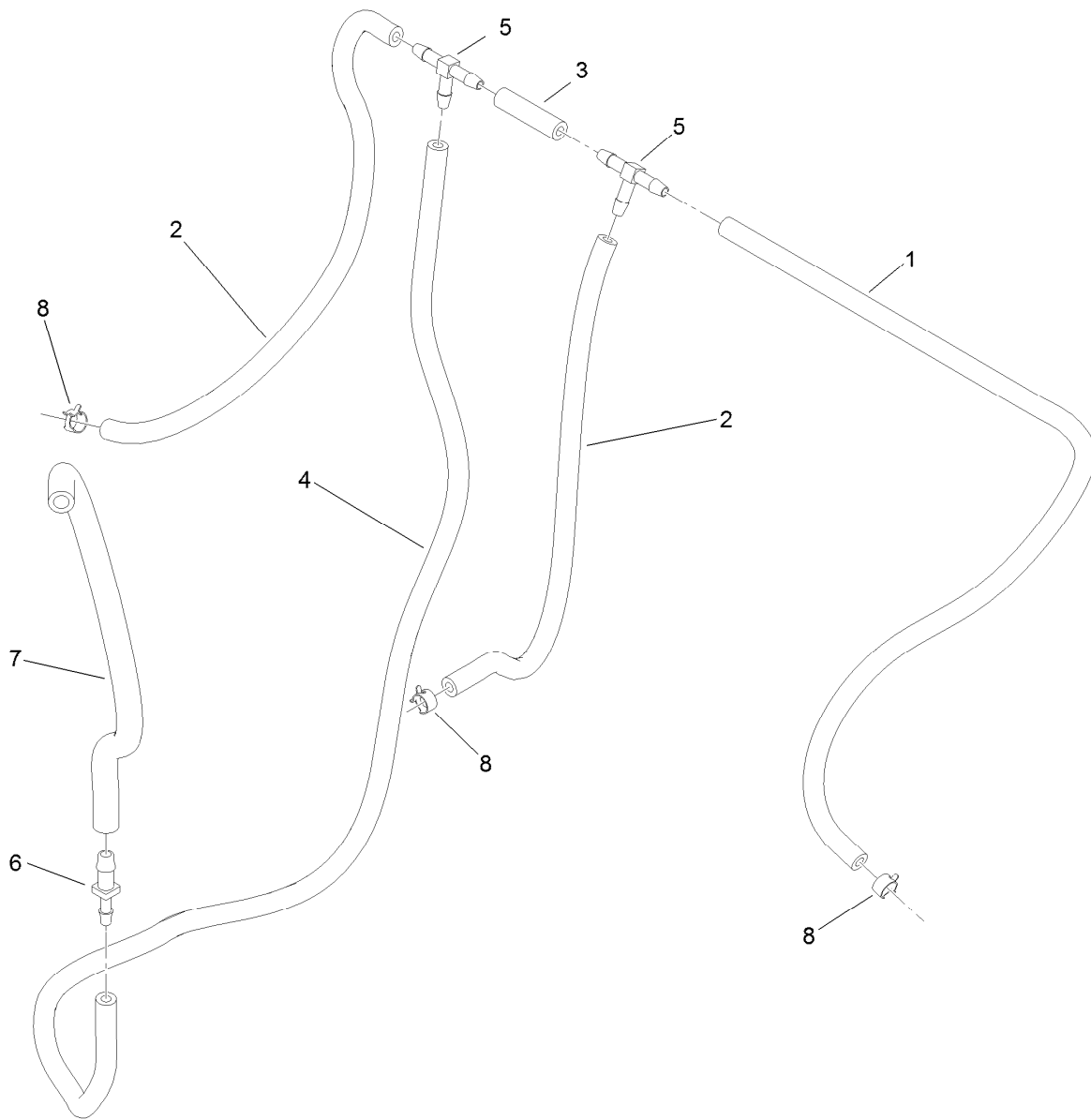
Ref.	Part Number	Qty.	Description	Ref.	Part Number	Qty.	Description
1	119-8743	1	LH Lever ASM	20	32128-17	2	Nut-Lock, Flange
1:2	119-0222	1	Grip	21	119-8690	1	LH Pivot Tab ASM
2	103-9928	6	Bearing	22	119-8718	1	RH Pivot Tab ASM
3	119-7353	1	RH Motion Control ASM	23	1-603175	1	Knob-Ball
4	119-7359-01	1	Bracket-Cross	24	119-6654	1	Cable-Throttle
6	104-8301	4	Nut-Flange, NI	26	3229-1	4	Bolt-CARR
8	119-1887	1	RH Motion Lever ASM	27	3290-134	4	Screw
8:2	119-0222	1	Grip	28	3296-2	4	Nut-Lock, NI
9	114-0239	1	Screw-HSH	29	119-8746-01	1	Bracket-Cable Mount
10	3296-47	1	Nut-Lock, NI	30	32144-70	3	Screw-HWHTF
11	114-0268	1	Cam-Lever	31	121-5967	2	Plate-Control, Pump
12	3256-22	1	Washer-Flat	33	104-7201	9	Nut-HF
14	114-0249	1	Spring-Extension	34	3234-29	4	Screw-HHF
15	120-8372	1	Lock-Cable	35	104-8300	4	Nut-Flange, NI
16	119-7370	2	Clamp	36	4-2390	2	Washer-Flat
17	119-7366	2	Cable ASM	39	321-5	2	Screw-HH
17:2	119-7379	2	Rod-Ball Joint	41	114-0282	2	Screw-HH
17:3	3220-1	3	Nut-Jam	42	3217-5	2	Nut-Hex
18	110-5547	1	Control Lever ASM	43	3274-94	4	Screw-HSBH
19	1-807533	2	Bolt-CARR	44	321-6	2	Screw-HH



Fuel Tank Assembly

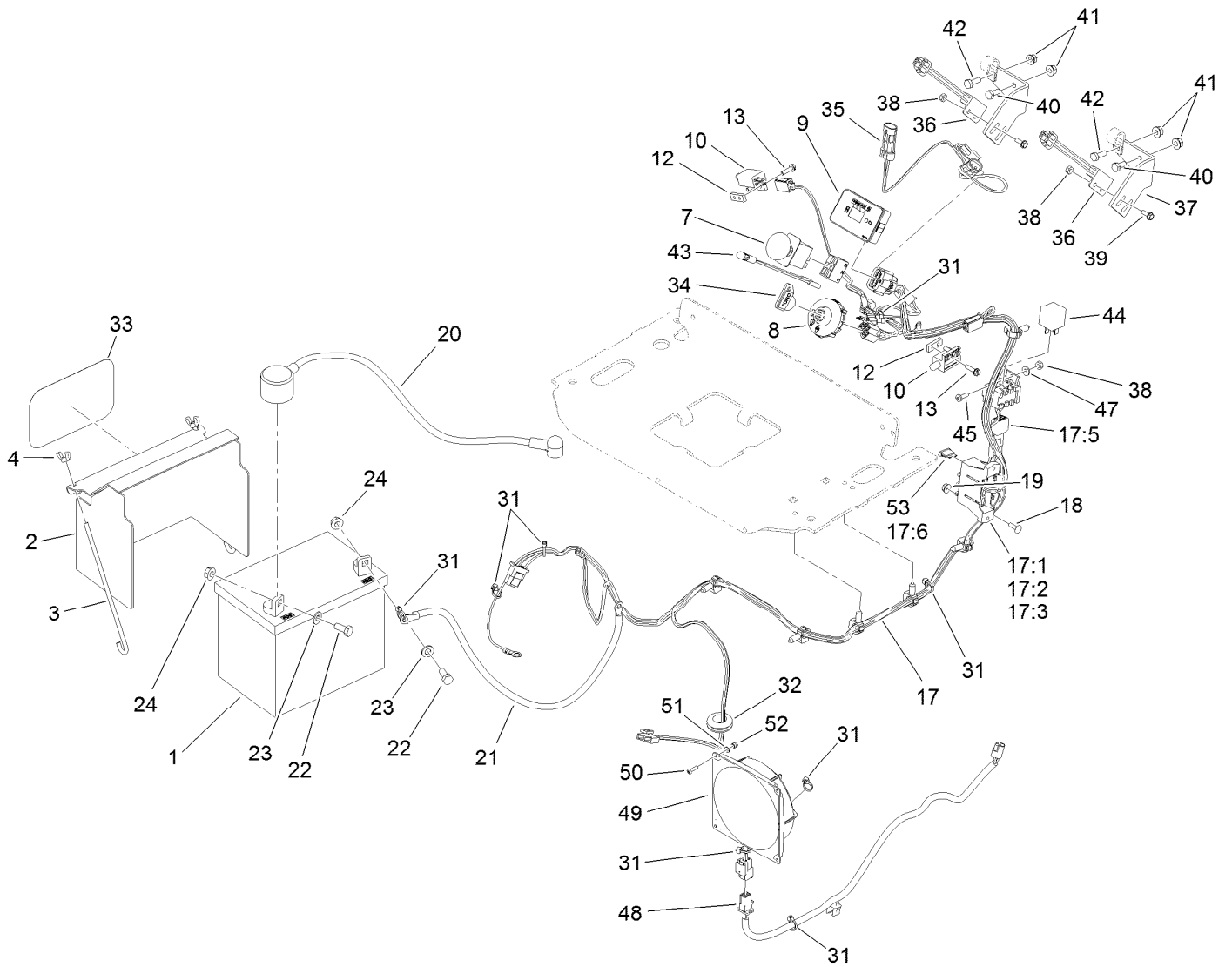
Ref.	Part Number	Qty.	Description	Ref.	Part Number	Qty.	Description
1	119-7340	1	Tank ASM	9	3290-378	3	Tie-Cable
1:2	46-6560	3	Bushing	10	2412-98	4	Clamp-Hose
1:3	1-643172	3	Elbow-90 DEG	11	112-7069	2	Grommet
1:4	95-8972	1	Grommet	12	120-6462	1	Bracket-Tank
1:5	117-9719	1	Guage-Fuel	12:2	116-3290	1	Decal-Fill, Fuel
1:6	116-1704	1	Cap-Fuel, Ratcheting	13	32144-70	4	Screw-HWHTF
1:7	116-3408	1	Fitting-Fuel, Bulkhead	15		1	Vent Hose ASM ●
5	109-0273	1	Hose-Fuel	16	2412-87	2	Clamp-Cable
6	1-603770	1	Valve-Fuel	22	32180-040	2	Clip-Harness
7	109-0297	1	Hose-Fuel				

● Not serviced separately



Vent Hose Assembly

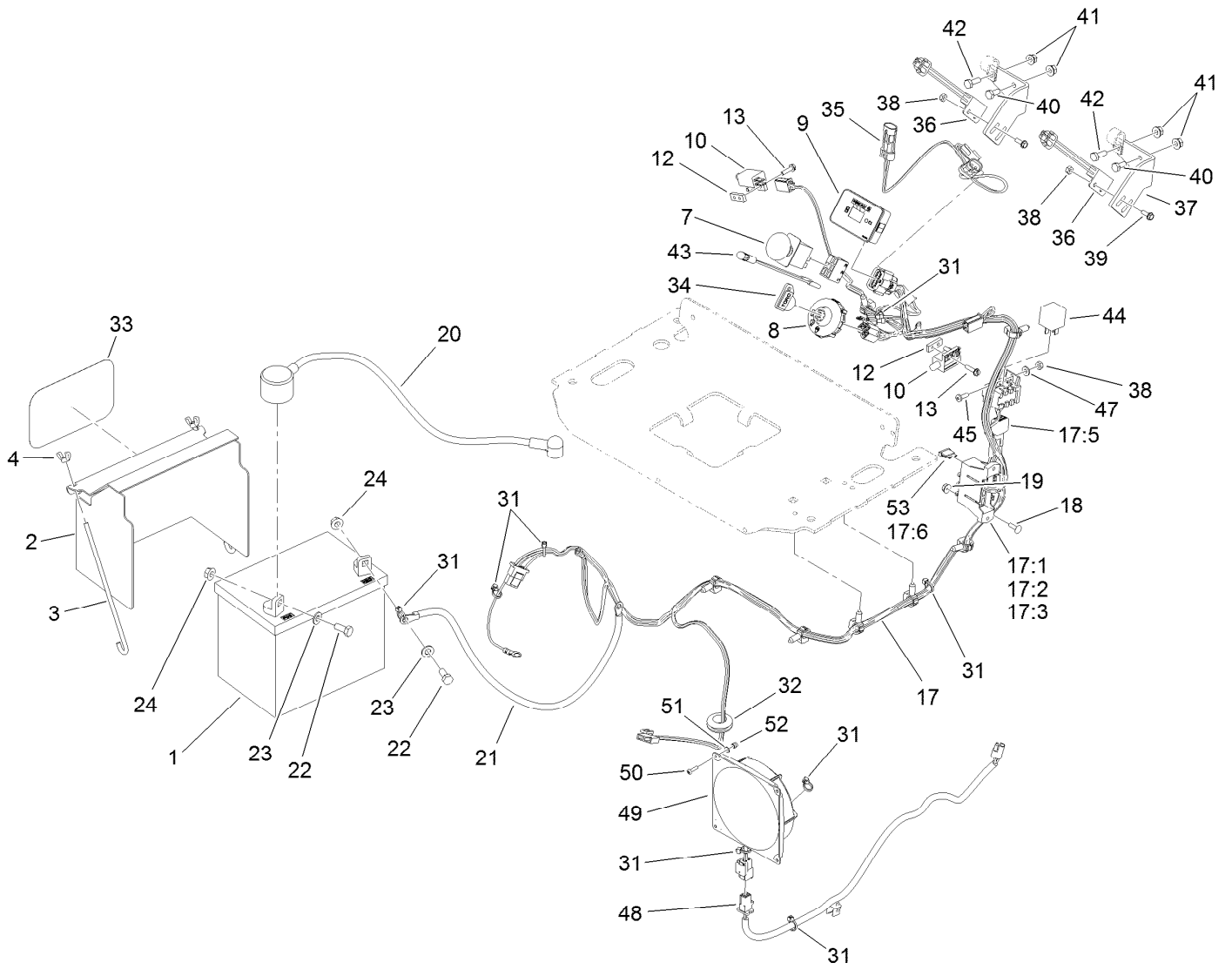
<i>Ref.</i>	<i>Part Number</i>	<i>Qty.</i>	<i>Description</i>
1	109-3491	1	Hose-Fuel
2	109-0299	2	Hose-Fuel
3	99-9415	1	Hose-Fuel
4	109-0289	1	Hose-Fuel
5	99-5005	2	Fitting-Tee, Barbed
6	116-5072	1	Fitting-Straight
7	116-4344	1	Hose-Fuel
8	2412-98	3	Clamp-Hose



Electrical Assembly

Ref.	Part Number	Qty.	Description	Ref.	Part Number	Qty.	Description
1	104-8162	1	Battery	19	3290-148	2	Nut-HF
2	117-0543-01	1	Cover-Battery	20	115-3864	1	Cable-Battery, Positive
3	1-633651	2	Bolt-Holddown	21	105-0836	1	Cable-Battery, Black
4	1-543792	2	Wingnut	22	322-3	2	Screw-HH
7	114-0279	1	Switch-PTO	23	3256-23	2	Washer-Flat
8	117-2222	1	Switch-Ignition	24	109-5715	2	Nut-HHF, Smooth
9	117-3886	1	Module-Hour Meter	31	1-303287	8	Tie-Cable
10	1-513152	2	Switch-Closed, Normally	32	117-2781	1	Grommet
12	1-633181	2	Plate-Tapped	33	68-3640	1	Decal
13	32105-13	4	Screw-HWH	34	63-8360	1	Key-Ignition (W/Shield)
17	121-7509	1	Harness-Wire Efi	35	119-8729	1	Harness-Wire, Neutral Switch
17:1	109103	1	Fuse-Blade, 30 Amp	36	105-0023	2	Switch-Proximity
17:2	109102	1	Fuse-Blade, 25 Amp	37	119-8503-01	2	Bracket-Mount, Switch
17:3	218-578	1	Fuse-Blade, 10 Amp	38	3296-2	5	Nut-Lock, NI
17:4	116-0053	1	Cap-Plug ●	39	32105-23	4	Screw
17:5	103-3895	1	Diode-Tvs	40	321-3	2	Screw-HH
17:6	109355	1	Fuse-Blade, 15 Amp	41	32128-32	4	Nut-HHF
18	1-807533	2	Bolt-CARR				

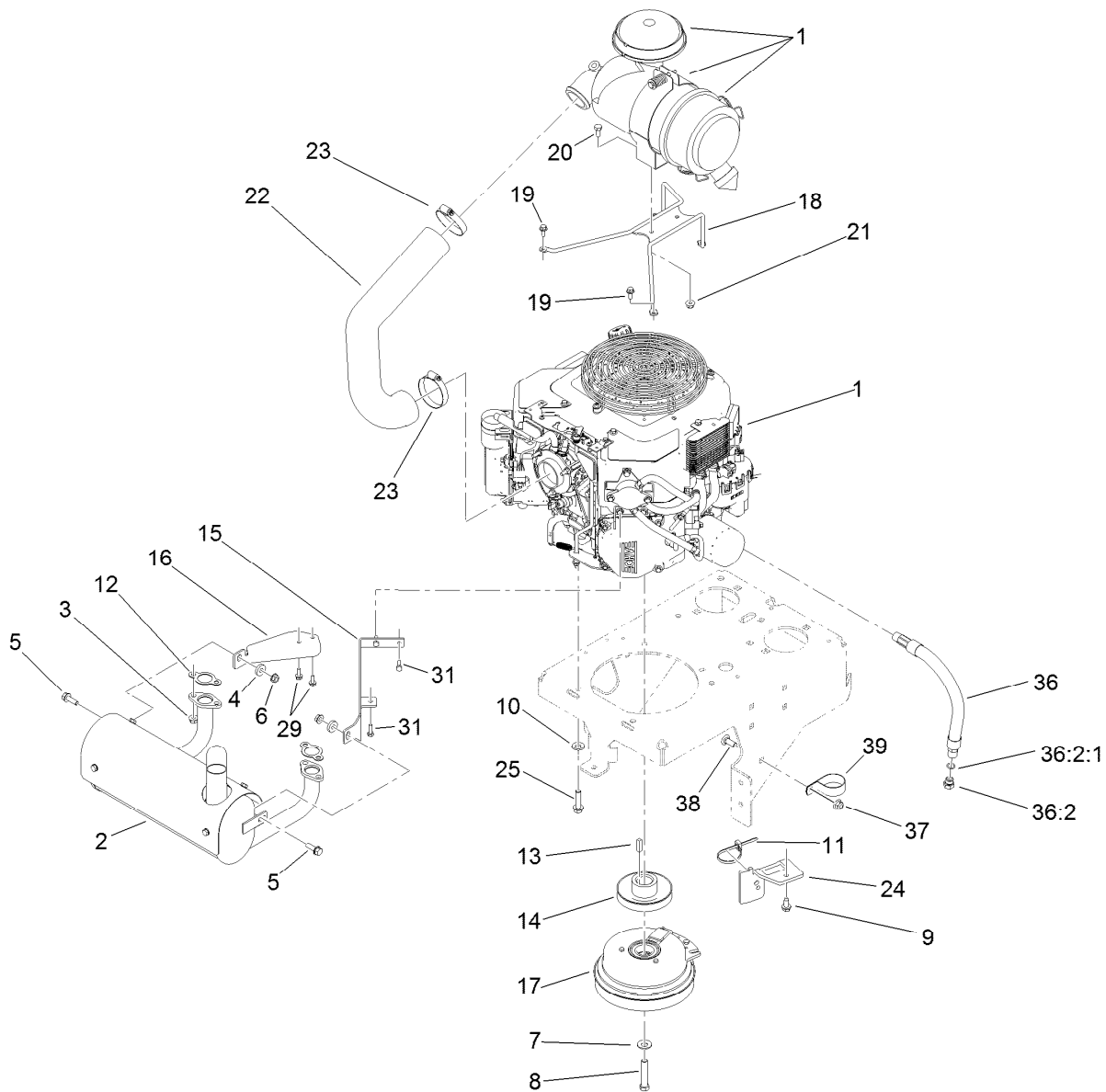
● Not illustrated



Electrical Assembly (continued)

<i>Ref.</i>	<i>Part Number</i>	<i>Qty.</i>	<i>Description</i>	<i>Ref.</i>	<i>Part Number</i>	<i>Qty.</i>	<i>Description</i>
42	321-4	2	Screw-HH	49	116-7047	1	Fan-Electric
43	1-643267	1	Indicator-Led, Red	50	46-0670	4	Screw-PPH
44	1-643275	1	Relay	51	48-7990	4	Washer-Flat
45	3290-500	1	Screw-PPH	52	46-0430	4	Nut-Lock
47	3256-14	1	Washer-Flat	53	109355	1	Fuse-Blade, 15 Amp
48	120-8389	1	Harness-Wire, Fan				

● Not illustrated



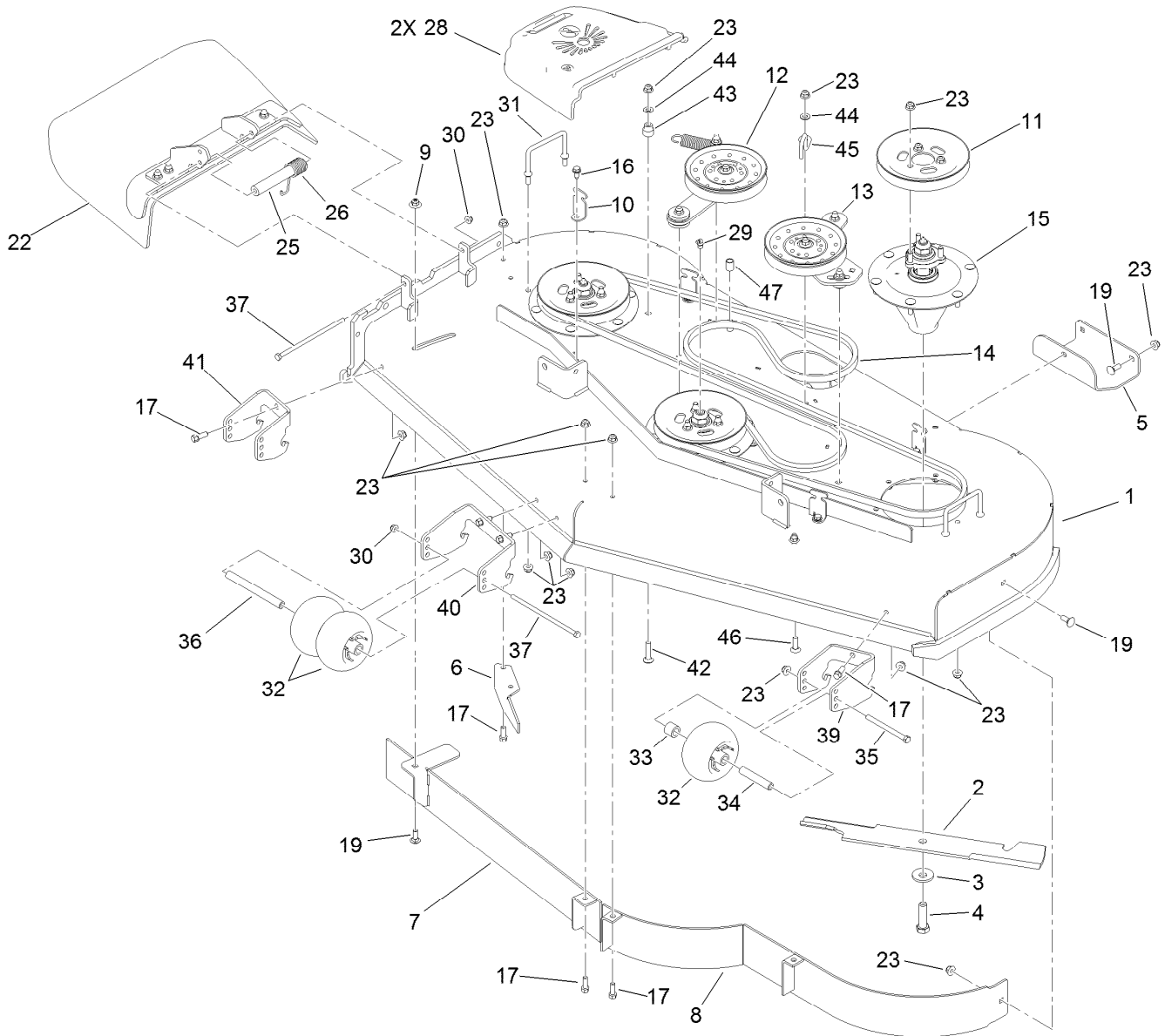
Engine Assembly

Ref.	Part Number	Qty.	Description	Ref.	Part Number	Qty.	Description
1		1	Engine-Kohler ●■	18	125-4660-03	1	Mount-Cleaner, Air
2	116-4092	1	Muffler	19	33103-016	2	Screw-HHF
3	68-9400	4	Nut-Flange	20	322-3	2	Screw-HH
4	104-7658	2	Spacer	21	104-8300	2	Nut-Flange, NI
5	3234-29	2	Screw-HHF	22	116-4047	1	Hose-Intake, Air
6	32128-25	2	Nut-HF	23	2412-42	2	Clamp-Hose
7	1-603610	1	Washer-Spring	24	116-3811-01	1	Bracket-Anchor, Clutch
8	3212-9	1	Screw-HH ▲	25	32144-102	4	Screw-HWH
9	32144-70	1	Screw-HWHTF	29	116-5722	2	Screw-HWHTF
10	98-5975	3	Washer-Belleville	31	116-4295	3	Screw-HH
11	3290-378	1	Tie-Cable	36	116-5108	1	Oil Drain Hose ASM
12	110-6697	2	Gasket-Exhaust	36:2	353-508	1	Plug-HH
13	1-807259	1	Key	36:2:1	237-42	1	O-Ring
14	116-3882	1	Pulley				
15	116-4039	1	Bracket-Muffler, LH	37	104-8301	1	Nut-Flange, NI
16	116-4038	1	Bracket-Muffler, RH	38	3231-22	1	Screw-CARR
17	116-4172	1	Clutch	39	2412-147	1	Clamp

● Not serviced separately

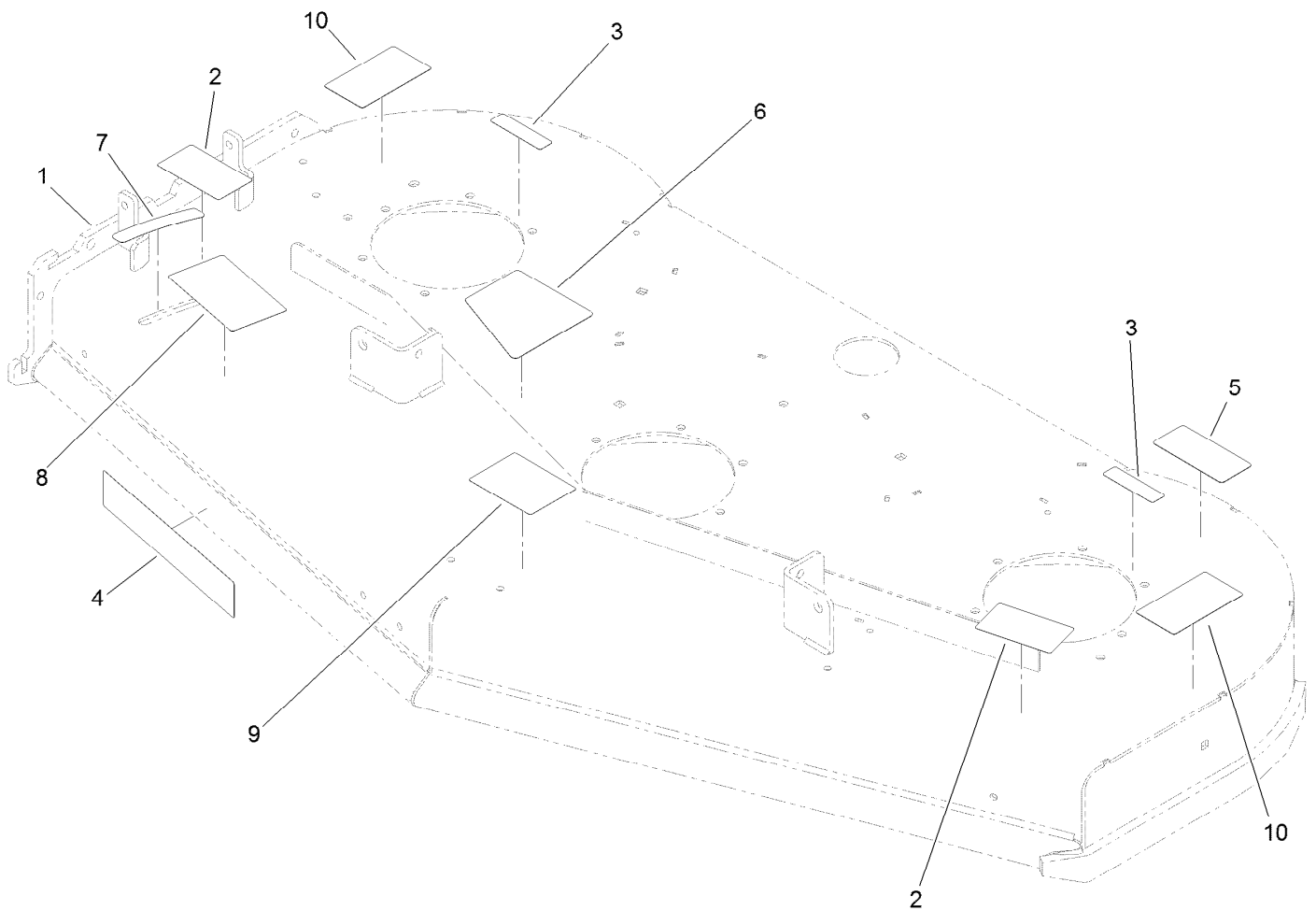
▲ Use Pro-Lock, Nut Type (P/N 1-840022, .5ml tube) on threads.

■ Obtain parts from www.kohlerplus.com



Deck Assembly

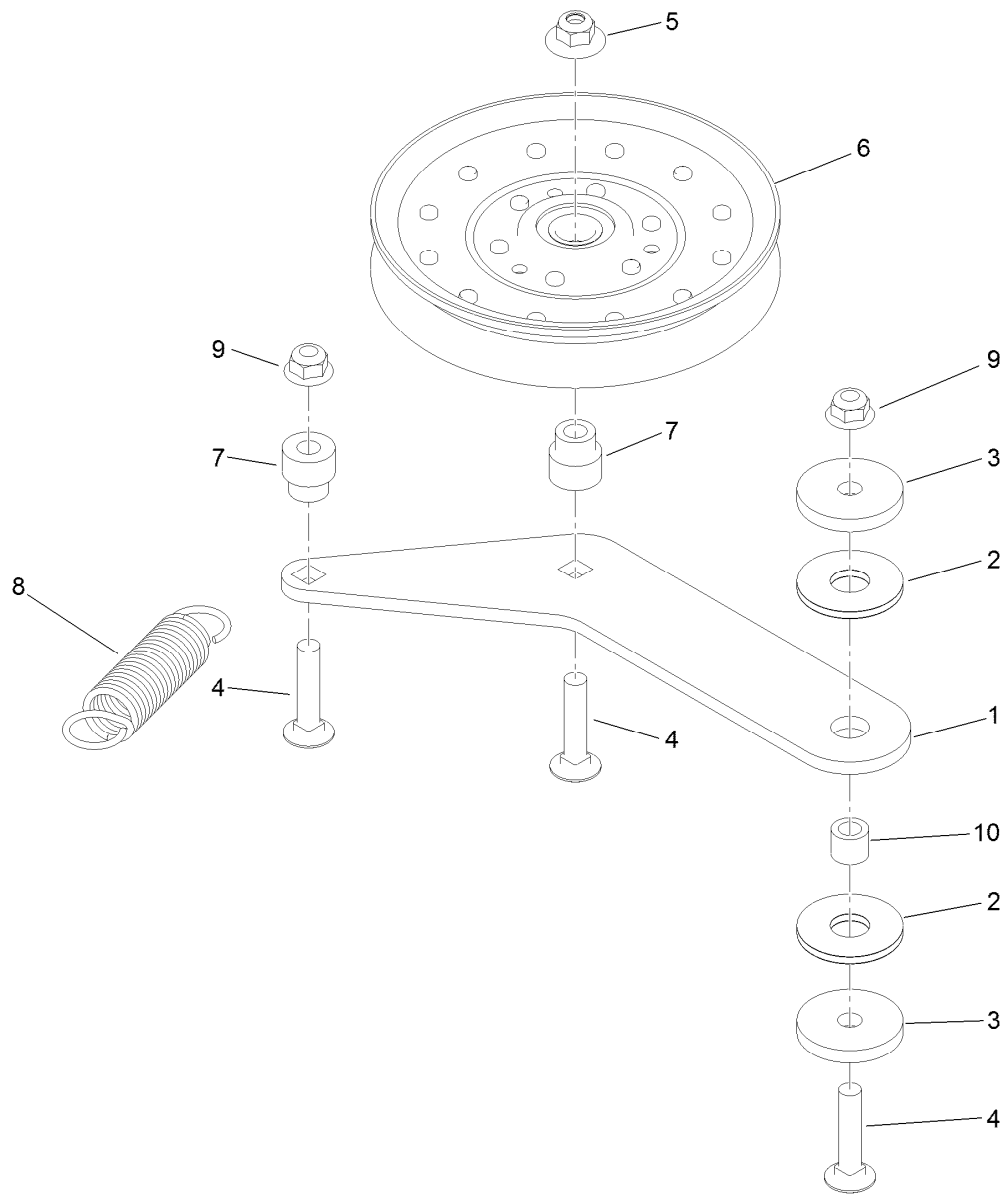
Ref.	Part Number	Qty.	Description	Ref.	Part Number	Qty.	Description
1	120-6414	1	Deck ASM	26	108-4052	1	Spring-Torsion
2	105-7718-03	3	Blade-Hi Flow	28	120-6423	2	Cover-Belt
3	103-0865	3	Washer-Blade Bolt, Heavy	29	302-33	1	Fitting-Grease
4	51-4060	3	Screw-Blade	30	104-8300	2	Nut-Flange, NI
5	114-1908-01	1	Skid	31	109-6982	2	Wireform-Cover
6	106-3216-01	1	Baffle-Discharge	32	1-603299	4	Roller-Scalp, Anti
7	121-1788-01	1	Baffle ASM	33	98-7913	2	Tube-Spacer
8	117-9701-01	1	Baffle ASM	34	98-7912	2	Tube-Spanner
9	109-6658	1	Nut-Flange, NI	35	323-23	2	Screw-HH
10	117-5758-03	4	Bracket-Cover	36	98-5967	1	Spacer-Wheel
11	120-6434	3	Pulley	37	322-50	2	Screw-HH
12	121-5970	1	RH Idler Arm ASM	39	114-5204-01	1	Bracket-Wheel, LH
13	121-5965	1	LH Idler Arm ASM	40	114-5208-01	1	Bracket-Wheel, Center
14	106-7369	1	Belt-V	41	114-5213-01	1	Bracket-Wheel, RH
15	119-8560	3	Spindle ASM	42	3231-5	1	Screw-CARR
16	32144-70	4	Screw-HWHTF	43	1-603496	1	Bushing-Idler
17	92-1624	9	Screw-HWH	44	3256-24	2	Washer-Flat
19	3231-2	5	Bolt-CARR	45	110-6975	1	Guide-Belt
22	120-2451	1	Deflector ASM	46	3231-28	1	Screw-CARR
23	104-8301	48	Nut-Flange, NI	47	121-7521	1	Bumper-Idler
25	105-4622	1	Spacer				



Deck Decal Assembly No. 120-6414

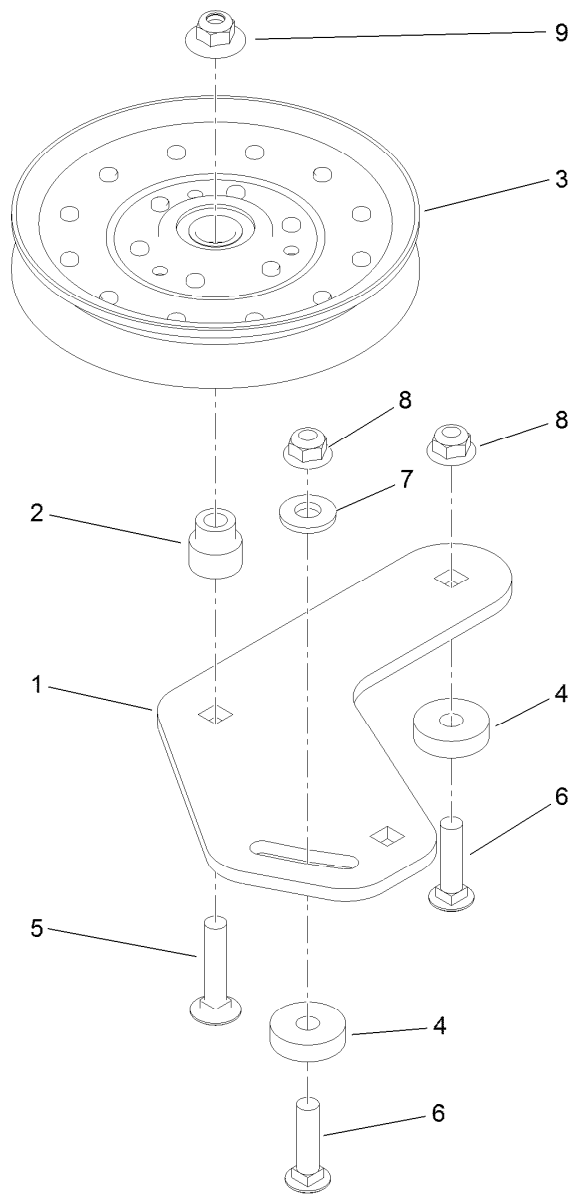
<i>Ref.</i>	<i>Part Number</i>	<i>Qty.</i>	<i>Description</i>
1		1	Deck ASM ●
2	121-6049	2	Decal-Danger
3	119-0217	2	Decal-Danger
4	107-1619	1	Decal
5	93-7818	1	Decal-Torque, Blade Bolt
6	120-6412	1	Decal-Belt Tension, Ce
7	110-2067	1	Decal-Setting, Baffle
8	110-2068	1	Decal-Adjustment, Baffle
9	112-3858	1	Decal-Anti Scalp
10	120-6424	2	Decal-Danger, Rotating Parts

● Not serviced separately



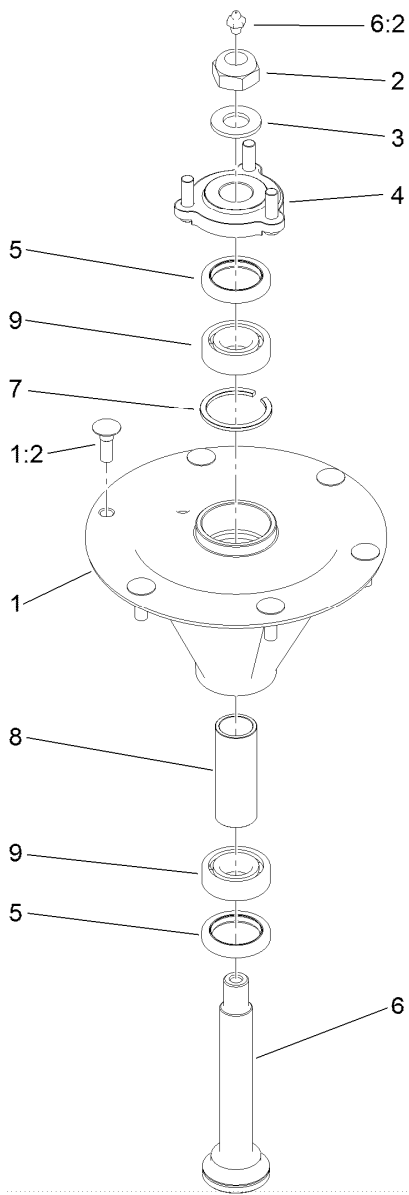
Right Hand Idler Assembly No. 121-5970

<i>Ref.</i>	<i>Part Number</i>	<i>Qty.</i>	<i>Description</i>
1	121-5971	1	Arm-Idler, RH
2	114-0463	2	Washer-Friction, Composite
3	110-9981	2	Washer-Plain
4	3231-5	3	Screw-CARR
5	109-6658	1	Nut-Flange, NI
6	116-4667	1	Idler-Pulley, Flat
7	1-603496	2	Bushing-Idler
8	1-603402	1	Spring-Extension
9	104-8301	2	Nut-Flange, NI
10	1-413088	1	Bushing-Lever, Lift



Left Hand Idler Assembly No. 121-5965

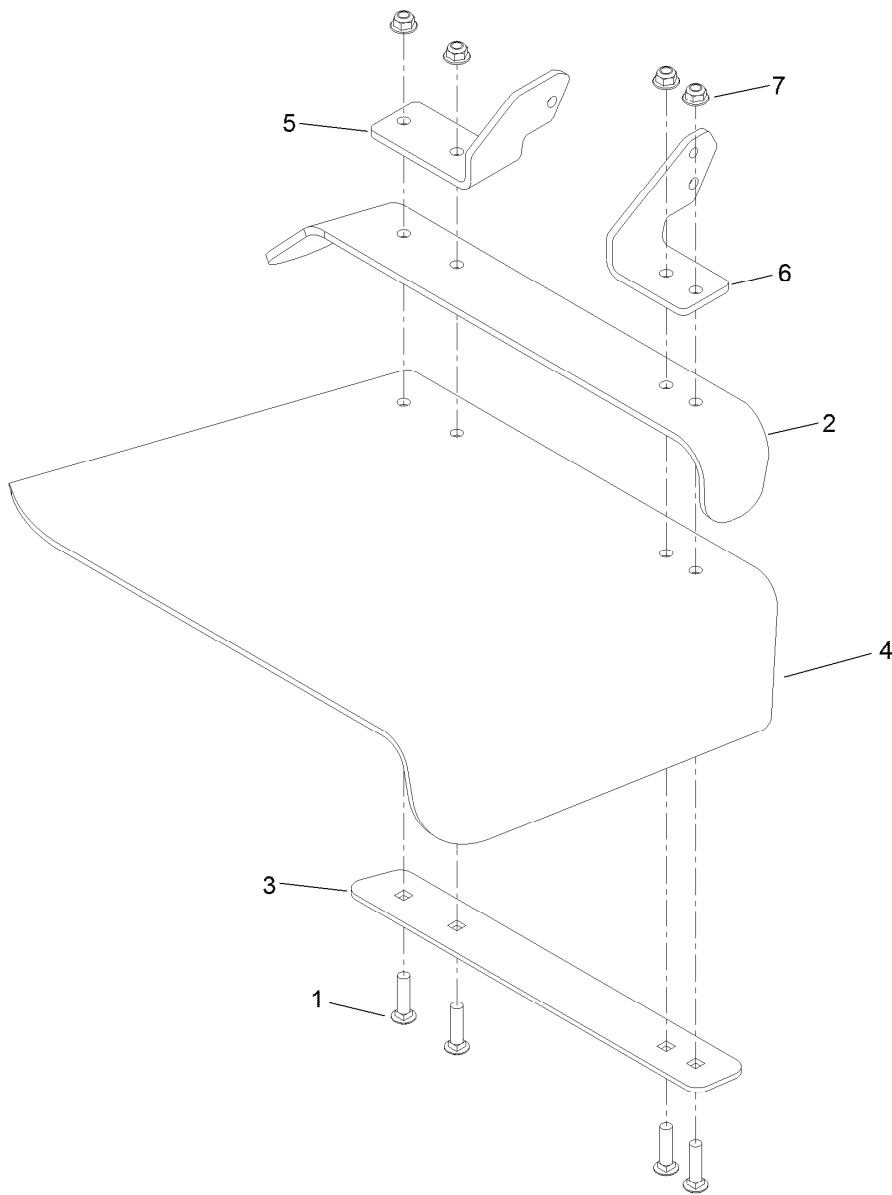
<i>Ref.</i>	<i>Part Number</i>	<i>Qty.</i>	<i>Description</i>
1	121-5966-03	1	Arm-Idler, LH
2	1-603496	1	Bushing-Idler
3	116-4667	1	Idler-Pulley, Flat
4	105-7788	2	Spacer
5	3231-5	1	Screw-CARR
6	3231-4	2	Screw-CARR
7	98-5975	1	Washer-Belleville
8	104-8301	2	Nut-Flange, NI
9	109-6658	1	Nut-Flange, NI



Spindle Assembly No. 119-8560

<i>Ref.</i>	<i>Part Number</i>	<i>Qty.</i>	<i>Description</i>
1		1	Spindle Housing And Studs ASM ●
1:2	114-8195	6	Bolt-Ribbed Neck
2	3296-67	1	Nut-Lock, NI
3	92-5836	1	Washer
4	117-6172	1	Spindle Hub ASM
5	253-133	2	Seal-Oil
6	119-8527	1	Spindle Shaft And Zerk ASM
6:2	302-2	1	Fitting-Grease
7	119-8532	1	Snap Ring
8	117-6184	1	Spacer
9	119-8558	2	Bearing-Noseal

● Not serviced separately



Deflector Assembly No. 120-2451

<i>Ref.</i>	<i>Part Number</i>	<i>Qty.</i>	<i>Description</i>
1	3231-4	4	Screw-CARR
2	106-3246-01	1	Deflector
3	106-3248-03	1	Strap-Discharge
4	110-0759	1	Deflector-Rubber
5	108-4059-01	1	Plate-Hinge, Rear
6	106-3253-01	1	Plate-Hinge, Front
7	104-8301	4	Nut-Flange, NI

Attachments and Accessories

For 74583 GrandStand Mower With 60in TURBO FORCE Cutting Unit

Product Name	Model/Part
Blade-Mid Flow, 20.5in	105-7715-03
Blade-Lo Flow, 20.5in	105-7716-03
Blade-Hi Flow, 20.5in.....	105-7718-03
Blade-Recycler, 20.5in.....	105-7777-03
Blade-Atomic, 20.5in	105-8777-03
Turbo Baffle Kit	107-1634
6 Pack Blade, 20.5in Hi-Flow	108-1114
6 Pack-Blade, 20.5in Atomic.....	108-1115
6 Pack Blade, 20.5in Mid-Flow	108-1123
6 Pack-Blade, 20.5in Lo Flow	108-1128
6 Pack-Blade, 20.5in Recycler.....	110-0405
Weight-Cast.....	112-7059-01
Light Kit.....	114-3505
Striping Kit	114-3521
Hypr-Oil 500 (quart).....	114-4713
Hypr-Oil 500 (gallon).....	114-4714
Hypr-Oil 500-5 (5 gallon).....	114-4715
Recycler Kit	115-7468
Weight Kit	117-3620
Chute Gate Kit With Bag.....	119-7292
Speed Control Kit.....	119-7390
Trash Bag Kit.....	121-7530
Soft Bag (3 Bushel).....	30104
Spark Arrestor	98-9099

Notes:

Notes:



Count on it.