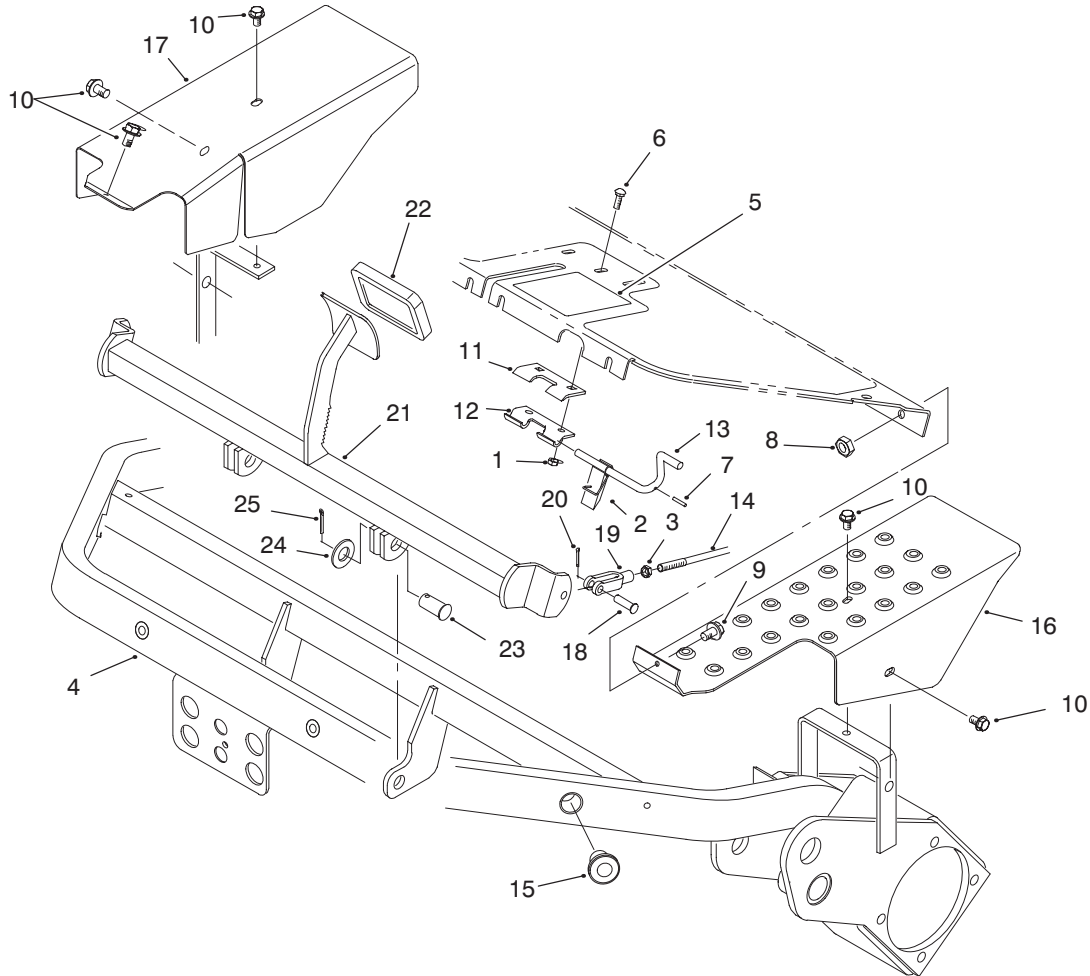




MODEL NO. 04380-70001 & UP

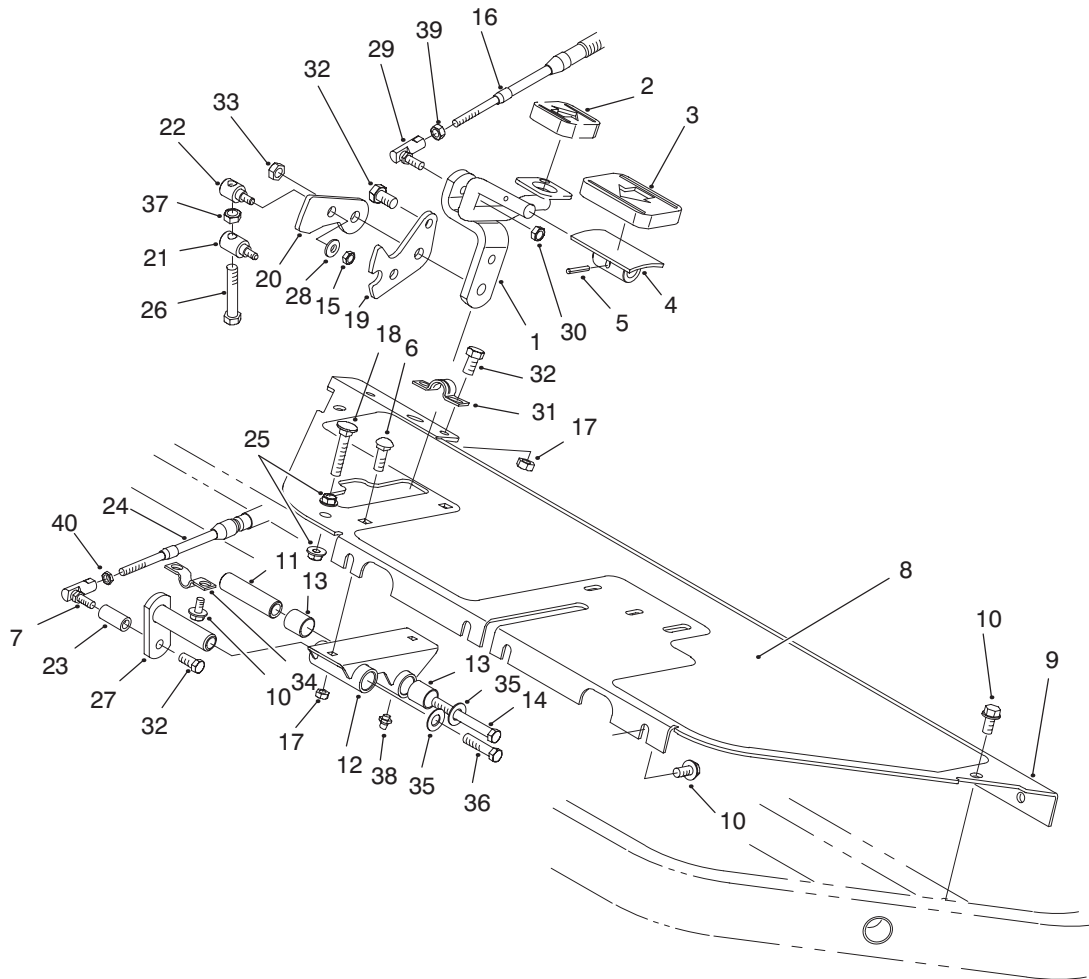
PARTS
CATALOGGREENSMASTER 3200
TRACTION UNIT

T-2222-3

FRAME & BRAKE PEDAL ASSEMBLY

Ref. No.	Part No.	Description	No. Used
1	33023-00	Nut - Lock	2
2	93-2276	Spring - Brake Latch	1
3	3220-2	Nut - Jam	2
4	93-2010	Frame	1
5	93-8062	Decal - Parking Brake	1
6	33123-016	Screw - Carriage	2
7	32121-50	Pin - Roll	1
8	33024-00	Nut - Lock	1
9	33114-020	Screw - HH	1
10	32144-14	Screw - HH	5
11	95-1628	Hinge - Upper	1
12	95-1629	Hinge - Lower	1
13	94-9600	Brake Latch	1

Ref. No.	Part No.	Description	No. Used
14	93-2069	Rod - Brake	2
15	83-1700	Bushing - Flange	3
16	93-2073	Shield - Wheel LH	1
17	93-2072	Shield - Wheel RH	1
18	283-61	Pin - Clevis	2
19	282-2	Clevis	2
20	3272-6	Pin - Cotter	2
21	93-2075	Brake Pedal	1
22	93-7629	Pad - Foot Brake	1
23	283-87	Pin - Clevis	2
24	3256-27	Washer - Flat	2
25	3272-11	Pin - Cotter	2

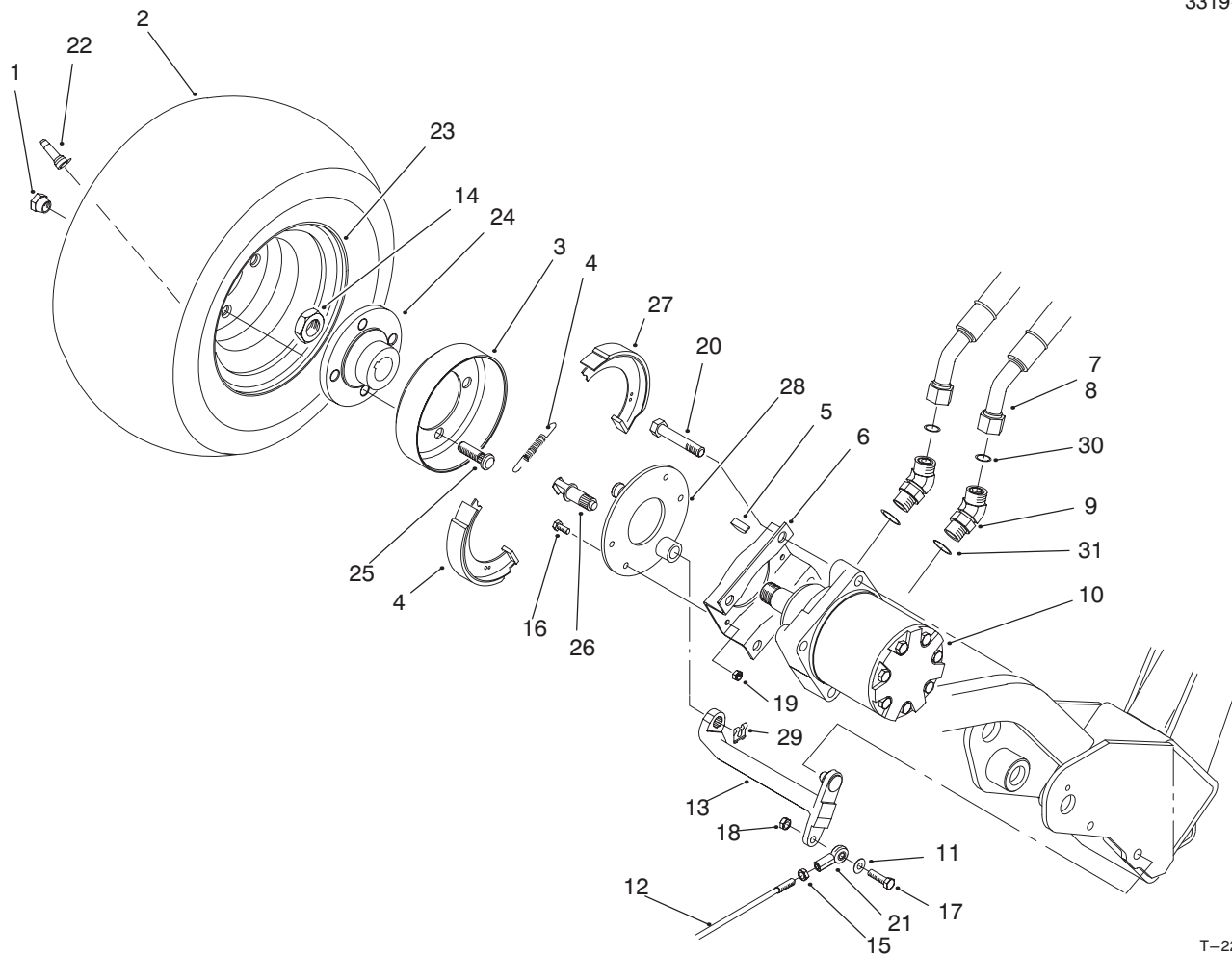


T-2242-2

FLOOR PANEL & TRACTION PEDAL ASSEMBLY

Ref. No.	Part No.	Description	No. Used
1	93-2085	Rod	1
2	74-9110	Pad - Pedal Reverse	1
3	74-9100	Pad - Pedal Forward	1
4	49-6440	Pedal - Accelerator	1
5	32121-45	Roll Pin	1
6	33124-020	Screw - Carr.	2
7	2411-38	Ball Joint Assembly	1
8	93-2142	Pad - Floor Plate	1
9	94-6399	Plate - Floor	1
10	32144-14	Screw - HH	8
11	94-1371	Spacer	1
12	94-1383	Pedal Pivot	1
13	256-311	Bushing - Straight	4
14	33115-090	Screw - HH	1
15	33023-00	Nut - Lock	2
16	93-2099	Cable - Traction Control	1
17	33024-00	Nut - Lock	4
18	17-9420	Screw - Handle	1
19	94-1373	Bracket - Lock	1
20	94-1372	Bracket - Mow	1

Ref. No.	Part No.	Description	No. Used
21	94-1375	Trunnion Lock Bracket	1
22	94-1374	Trunnion Mow Bracket	1
23	94-1386	Shaft - Pedal Lock	1
24	94-1304	Cable - Neutral Lock	1
25	32128-20	Nut - Lock	2
26	94-3489	Screw - HH	1
27	94-1300	Neutral Lock	1
28	3256-1	Washer - Flat	2
29	2411-34	Ball Joint	1
30	3296-13	Nut - Lock	1
31	93-2092	Clamp - Cable	1
32	33114-016	Screw - HH	4
33	33025-00	Nut - Lock	1
34	93-2279	Clamp - Cable	1
35	3256-24	Washer - Flat	2
36	33115-016	Screw - HH	1
37	33014-00	Nut - Hex	1
38	302-5	Fitting - Grease	1
39	3220-1	Nut - Jam	1
40	3219-14	Nut - Hex.	1



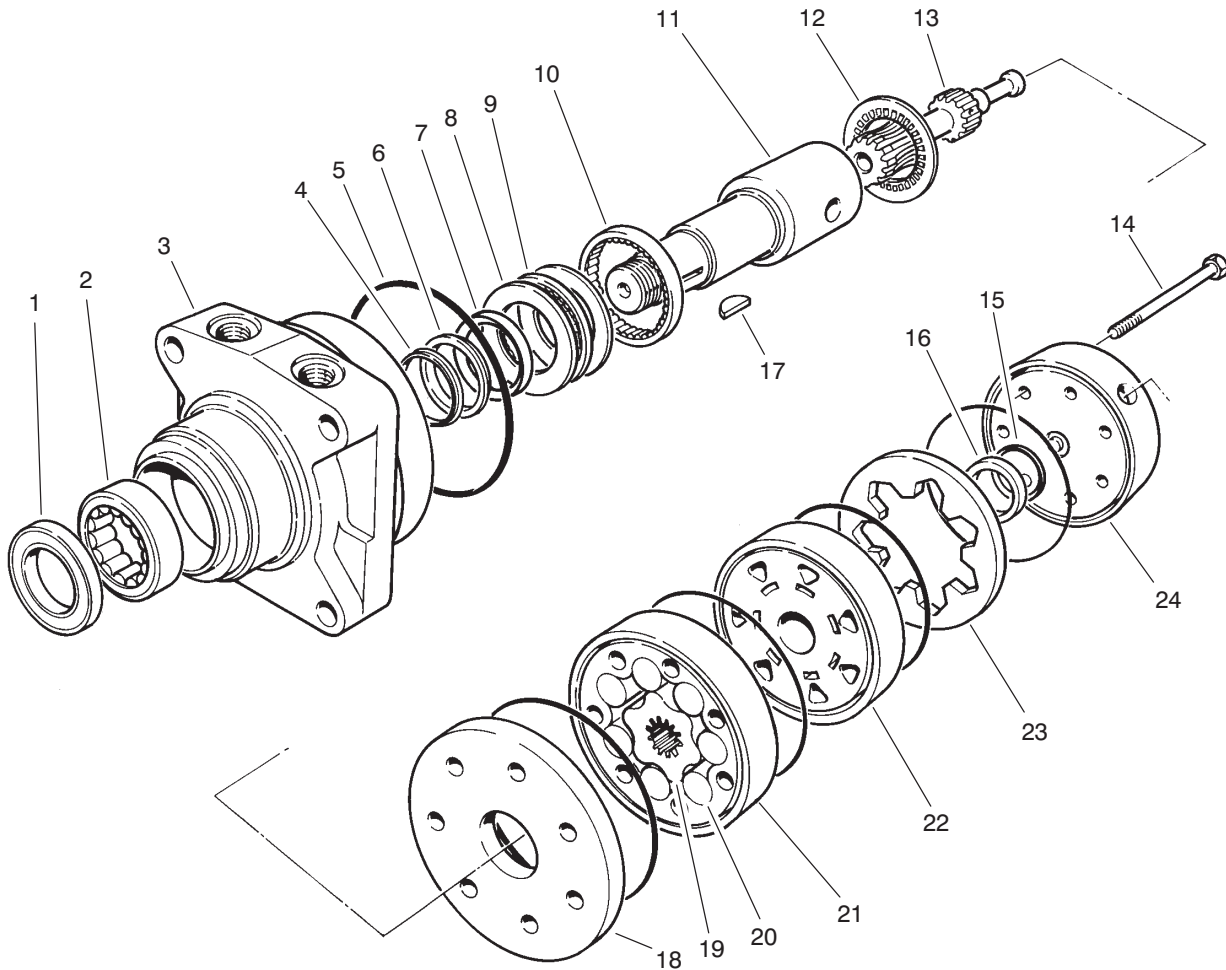
T-2223-1

FRONT WHEEL & BRAKE ASSEMBLY

Ref. No.	Part No.	Description	No. Used
1	242-50	Nut - Lug	8
2	28-3680	Tire	2
3	10-6850	Drum - Brake	2
4	70-9880	Spring - Return	4
5	3257-42	Key - Woodruff	2
6	84-2000	Bracket - Brake	2
7	94-5357	Hose Assembly - RH	2
8	94-5358	Hose Assembly - LH	2
9	340-14	Fitting - 45° (Incl. Ref. #30-31)	4
10	92-9199	Hydraulic Motor - Wheel	2
11	3256-23	Washer - Flat	2
12	93-2069	Rod - Brake	2
13	93-2096	Lever - Brake	2
14	26-3790	Nut - Lock	2
15	3220-20	Nut - Jam	2
16	33113-020	Screw - HH	8
17	33114-030	Screw - HH	2

Ref. No.	Part No.	Description	No. Used
18	33024-00	Nut - Lock NI	2
19	33023-00	Nut - Lock NI	8
20	33116-060	Screw - HH	8
21	93-2070	Clevis - Swivel	2
22	232-24	Stem - Valve	2
23	217-60	Rim	2
24	10-6870	Hub - Wheel	2
25	85-6540	Stud - Drive	8
26	70-9860	Cam - Brake	2
27	70-9840	Shoe - Brake	4
28	70-9870	Plate - Backing	2
29	70-9850	Clip - Retaining	2
30	237-65	O-Ring	4
31	237-80	O-Ring	4
*	10-6821	Brake Drum Assembly (Incl. Ref. #3 & 24-25)	2
*	71-1500	Brake Assembly (Incl. Ref. #4 & 26-29)	2

*Not Illustrated



T-0983-1

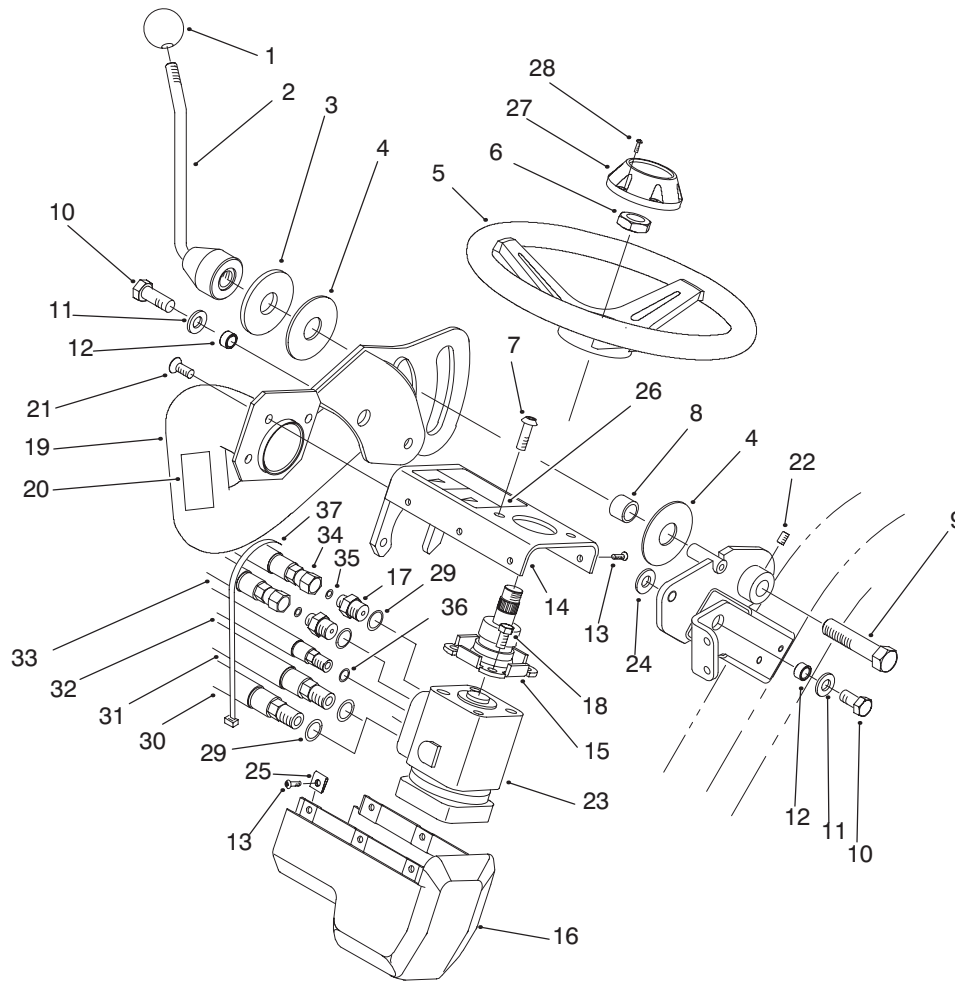
HYDRAULIC DRIVE MOTOR ASSEMBLY NO. 92-9199

Ref. No.	Part No.	Description	No. Used
†1		Seal – Dirt & Water	1
†2		Bearing	1
†3		Housing	1
†4		Washer – Back-Up	1
†5		Ring – Seal	5
†6		Washer – Back-Up	1
†7		Seal – Inner	1
†8		Washer – Thrust	2
†9		Bearing – Thrust	1
†10		Bearing	1
11	76-0860	Shaft – Coupling	1
12	76-0850	Bearing – Thrust	1
13	92-9761	Link – Drive	7
14	92-9762	Screw – Cap Hex. Hd.	1
†15		Seal – Commutator	1
†16		Commutator	1

Ref. No.	Part No.	Description	No. Used
17	3257-42	Key – Woodruff	1
18	76-0870	Plate – Wear	1
†19		Rotor	1
†20		Vane	7
†21		Stator	1
22	76-0840	Manifold	1
†23		Ring – Commutator	1
24	76-0940	End Cover Assembly	1
*	92-9763	Rotor Set (Incl. Ref. #19-21)	1
*	76-0880	Commutator Assembly (Incl. Ref. #15, 16 & 23)	1
*	94-8178	Seal Kit (Incl. Ref. #1, 4-7 & 15)	1
*	76-0810	Housing Assembly (Incl. Ref. #2, 3 & 8-10)	1

*Not Illustrated

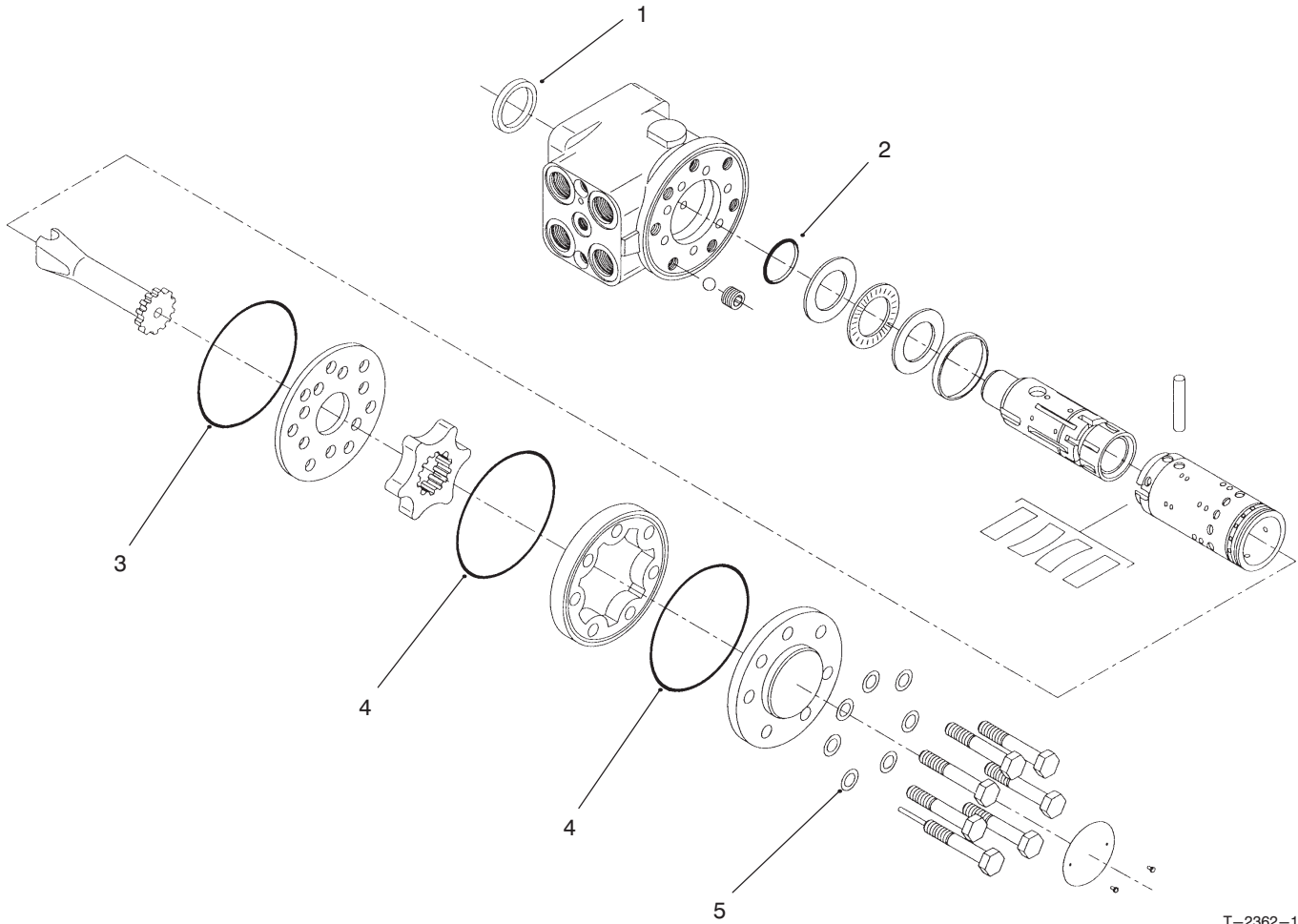
†Not Serviced Separately



T-2224-2

STEERING ARM ASSEMBLY

Ref. No.	Part No.	Description	No. Used	Ref. No.	Part No.	Description	No. Used
1	233-48	Knob	1	18	323-4	Screw - HH	2
2	93-2400	Lockup Handle	1	19	93-2115	Steering Arm	1
3	83-0760	Spacer - Lockup	1	20	93-8068	Decal - Steering Arm	1
4	83-0740	Disc - Friction	2	21	3274-80	Screw - HSBH	3
5	68-5130	Wheel - Steering (Incl. Ref. #27-28)	1	22	3242-2	Screw - Set	1
6	47-6990	Nut - Steering Wheel	1	23	93-2120	Steering Control Valve	1
7	3274-63	Screw - HSBH	2	24	65-6390	Washer - Thrust	1
8	83-0730	Spacer - Lockup	1	25	3290-277	Nut - Speed	6
9	93-2199	Screw - HH	1	26	93-8063	Decal - Warning	1
10	325-4	Screw - HH	2	27	68-5140	Cap - Steering Wheel	1
11	3256-26	Washer - Flat	2	28	32144-21	Screw - Phillips Pan Head	2
12	47-2890	Bushing	2	29	237-79	O-Ring	4
13	3274-39	Screw - HSBH	6	30	93-2272	Hose Assembly	1
14	94-9628	Steering Cover Asm (Incl. Ref. #26)	1	31	93-2252	Hose Assembly	1
15	83-1420	Steering Column Assembly	1	32	93-2269	Hose Assembly	1
16	94-6366	Cover - Steering Valve	1	33	93-2270	Hose Assembly	1
17	340-133	Fitting - Hydraulic (Incl. Ref. #29-30)	2	34	93-2271	Hose Assembly	1
				35	237-21	O-Ring	2
				36	237-42	O-Ring	1
				37	3290-379	Tie - Cable	1



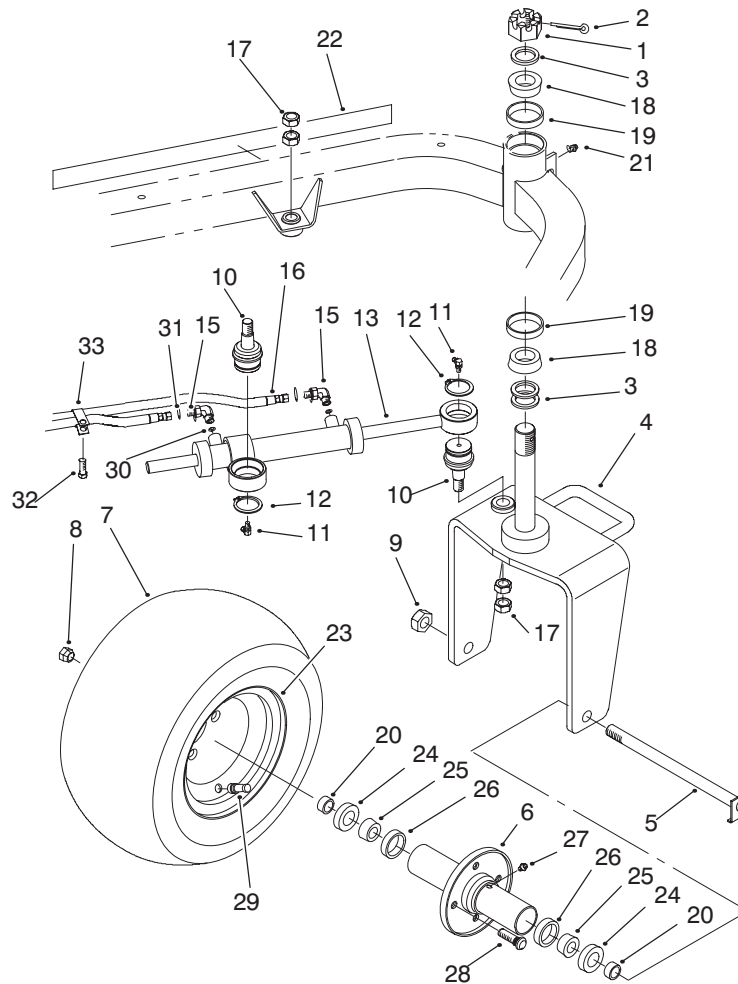
T-2362-1

STEERING CONTROL VALVE NO. 93-2120

Ref. No.	Part No.	Description	No. Used
†1		Ring – Dust Seal	1
†2		O-Ring	1
†3		O-Ring	1
†4		O-Ring	2

Ref. No.	Part No.	Description	No. Used
†5		Washer	7
*	94-4929	Kit – Seal (Incl. Ref. #1-5)	1

† Not Serviced Separately.

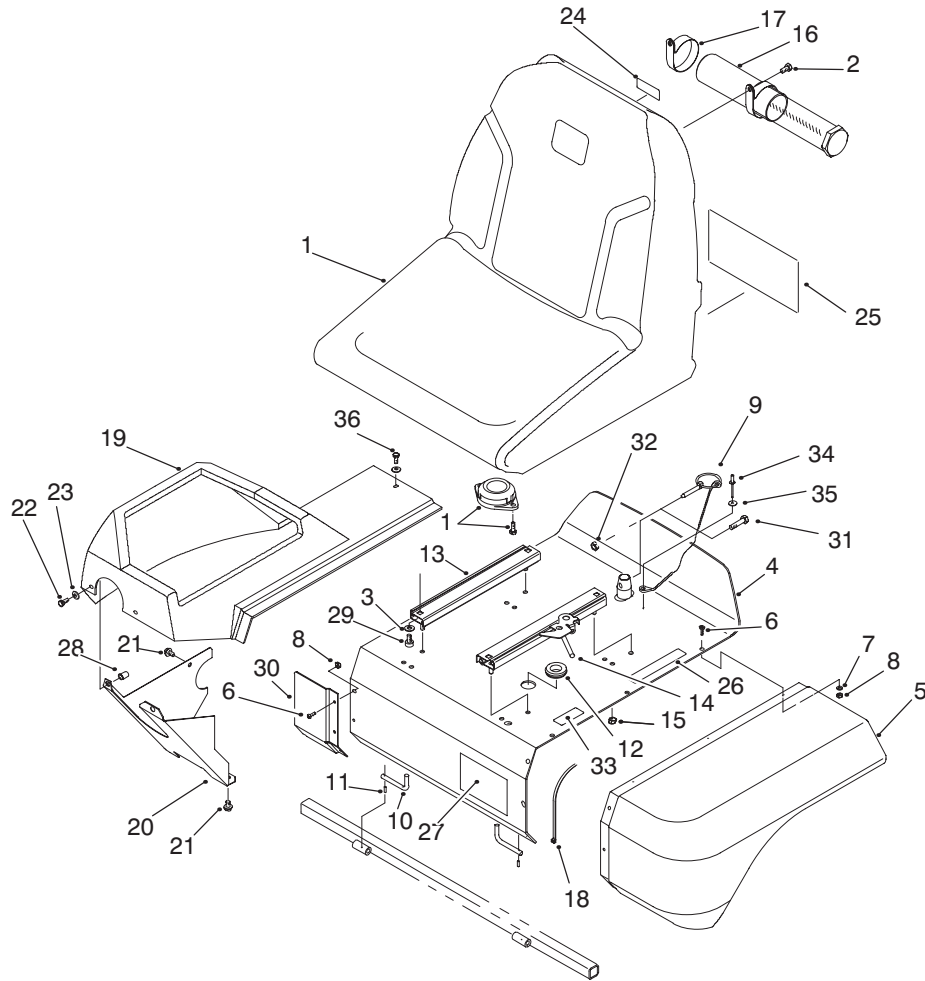


T-2225-2

REAR WHEEL ASSEMBLY

Ref. No.	Part No.	Description	No. Used	Ref. No.	Part No.	Description	No. Used
1	32136-9	Nut - Hex	1	18	254-70	Bearing Cone	2
2	3272-37	Pin - Cotter	1	19	254-61	Bearing - Cup	2
3	18-6320	Washer - Steering	3	20	74-3730	Spacer - Cylinder	2
4	93-2125	Castor Fork	1	21	302-5	Fitting - Grease, Str.	1
5	5-3934	Bolt	1	22	93-2234	Decal - GR3200	2
6	75-9440	Hub - Wheel	1	23	217-60	Rim	1
7	28-3680	Tire	1	24	253-111	Seal - Shaft	2
8	242-50	Nut - Lug	4	25	254-78	Cone - Bearing	2
9	3296-67	Nut - Lock NI	1	26	254-79	Cup - Bearing	2
10	92-5838	Ball Joint	2	27	302-55	Fitting - Grease	1
11	302-60	Fitting - Grease, 90°	2	28	10-6830	Stud - Drive	4
12	32151-104	Ring - Retaining, Ext.	2	29	232-27	Valve Stem w/Cap	1
13	93-2122	Cylinder Asm - Steering (Incl. Ref. #32)	1	30	237-78	O-Ring	2
14	93-2270	Hose Assembly	1	31	237-21	O-Ring	2
15	340-132	Fitting - Hydraulic	2	32	32144-14	Screw - HH	1
16	93-2269	Hose Assembly	1	33	92-5753	Clamp - Hose	1
17	3220-6	Nut - Jam	4	*	94-4398	Kit - Seal, Repair	1

*Not Illustrated



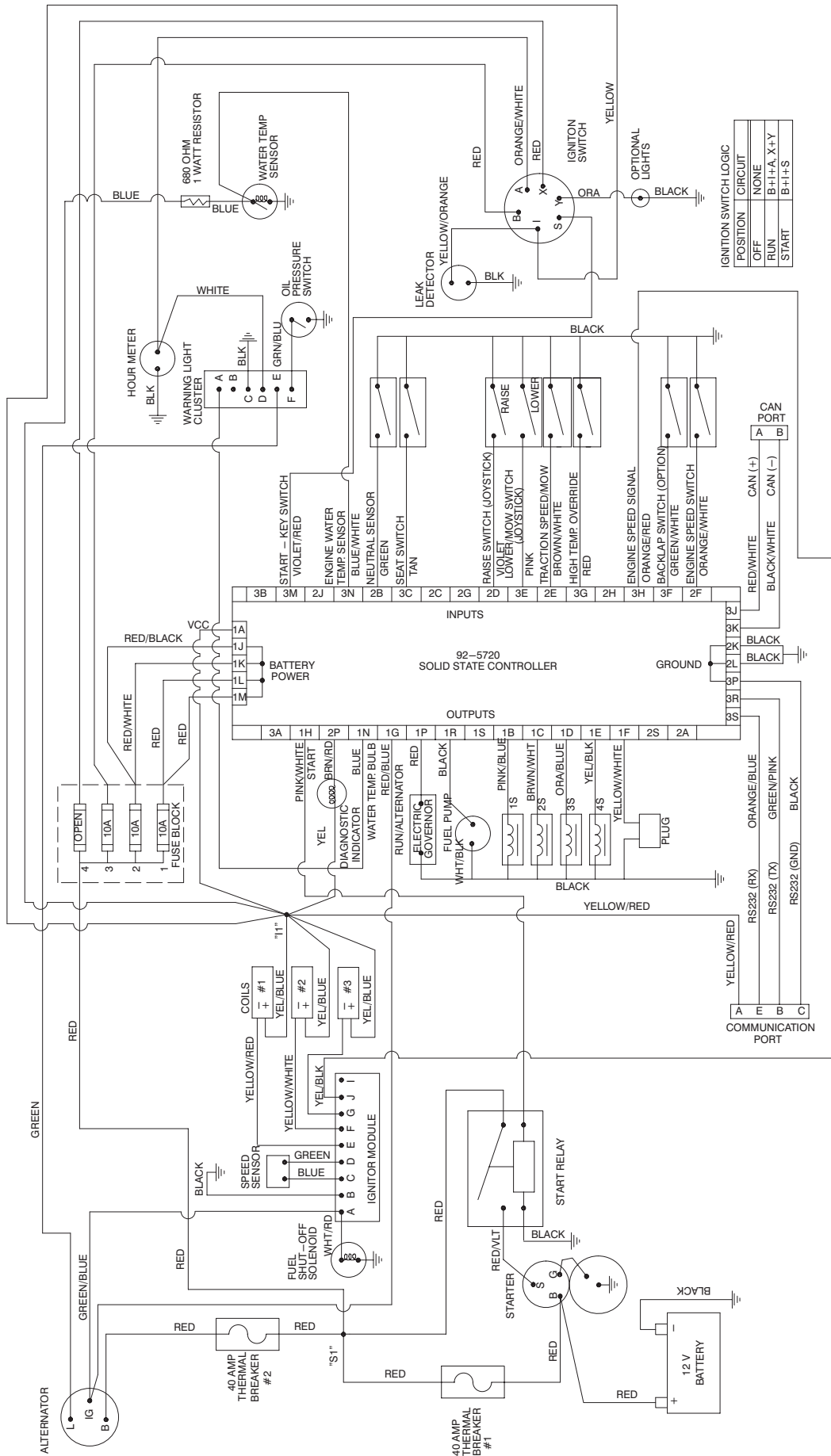
T-2226-4

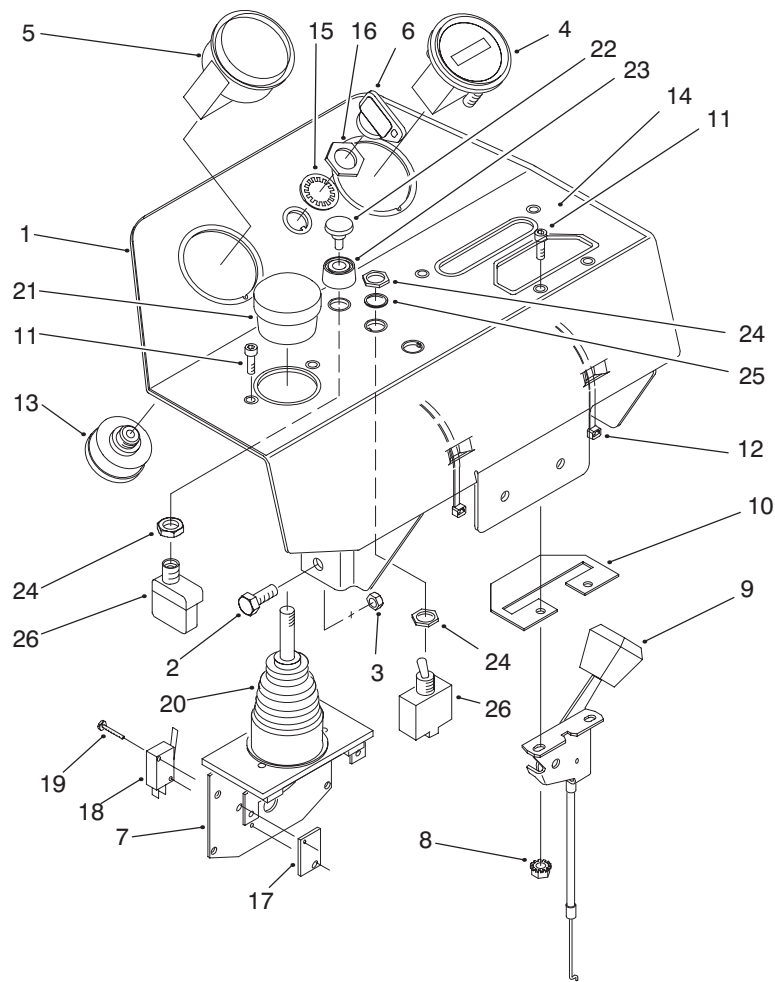
SEAT ASSEMBLY

Ref. No.	Part No.	Description	No. Used
1	92-6280	Seat	1
2	322-2	Screw - HH	2
3	3256-23	Washer - Flat	4
4	94-9627	Seat Support Asm (Incl. Ref. #26, 27 & 33)	1
5	93-2128	Panel - Seat Base	1
6	3274-39	Screw - HSBH	9
7	3256-77	Washer - Flat	6
8	3296-12	Nut - Lock	9
9	77-3780	Asm. - Pin, Lynch	1
10	93-2422	Rod - Seat Pivot	2
11	32121-7	Pin - Spring	2
12	237-100	Grommet	1
13	92-8990	Adjuster	1
14	92-8991	Adjuster w/Latch	1
15	3296-29	Nut - Lock	4
16	74-0720	Tube - Manual	1
17	2412-133	Clamp - R	2
18	3290-378	Tie - Cable	1
19	93-2578	Shroud - Console	1
20	94-4547	Panel - Lower	1
21	32144-14	Screw - HH	2
22	33113-016	Screw - HH	2
23	3256-1	Washer - Flat	3
24	93-6686	Decal - Hydraulic Oil	1

Ref. No.	Part No.	Description	No. Used
25	95-0501	Decal - Service	1
25	95-0502	Decal - Service (Danish)	1
25	95-0503	Decal - Service (Dutch)	1
25	95-0504	Decal - Service (Finnish)	1
25	95-0505	Decal - Service (French)	1
25	95-0506	Decal - Service (German)	1
25	95-0507	Decal - Service (Italian)	1
25	95-0508	Decal - Service (Japanese)	1
25	95-0509	Decal - Service (Norwegian)	1
25	95-0510	Decal - Service (Portuguese)	1
25	95-0511	Decal - Service (Spanish)	1
25	95-0512	Decal - Service (Swedish)	1
26	93-6689	Decal - No Rider	1
27	94-2579	Decal - Toro	1
28	93-5447	Insert - Threaded	2
29	3274-12	Screw - HSH	4
30	94-4546	Panel - Extension	1
31	33113-030	Screw - HH (Europe)	1
32	33023-00	Nut - Lock NI (Europe)	1
33	93-7252	Decal - CE Mark	1
34	3290-282	Rivet - Pop	1
35	3256-49	Washer - Flat	1
36	33113-012	Screw - HH	1

ELECTRICAL SCHEMATIC



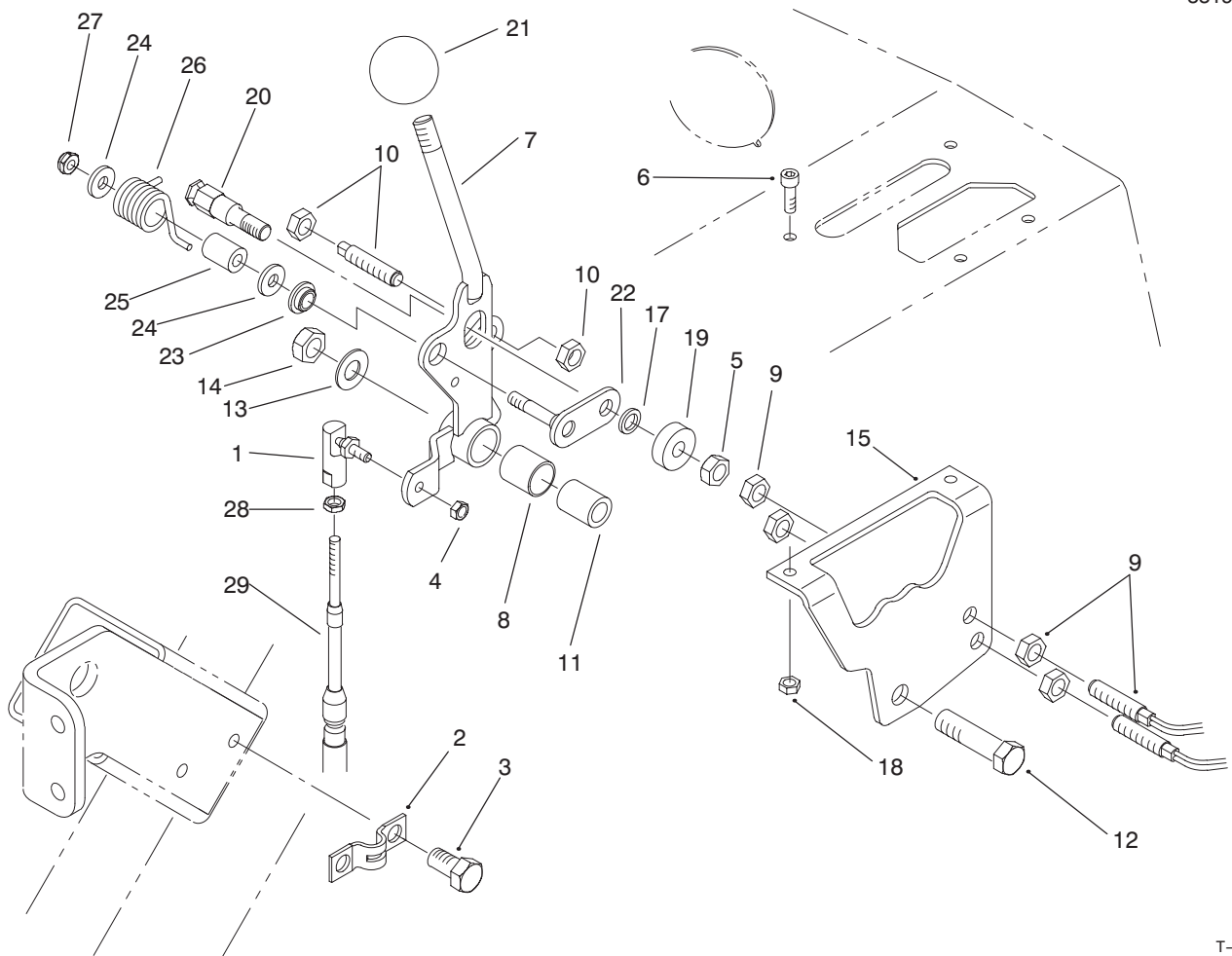


T-2235-2

CONTROL PANEL ASSEMBLY

Ref. No.	Part No.	Description	No. Used
1	94-6953	Console	1
2	33114-020	Screw - HH	4
3	33024-00	Nut - Lock NI	4
4	66-2950	Gauge - Hour Meter	1
5	93-7053	Warning Light Cluster	1
6	63-8360	Key - Ignition	2
7	75-3420	Lever - Control (Incl. Ref. #17-21)	1
8	32149-8	Nut - Keps	2
9	93-2329	Control - Choke	1
10	85-9190	Plate - Control	1
11	3273-26	Screw - HSH	4
12	3290-378	Tie - Cable	2
13	27-2360	Switch - Ignition (Incl. Ref. #15-16)	1
14	93-2232	Decal - Console	1

Ref. No.	Part No.	Description	No. Used
15	218-446	Washer - Lock	1
16	218-447	Nut - Hex.	1
17	3290-354	Plate - Nut	2
18	218-590	Switch - Micro	2
19	3290-93	Screw - HH	4
20	3290-488	Boot - Control, Lift	1
21	3290-489	Knob - Control, Lift	1
22	43-6280	Button - Push	1
23	43-6420	Bezel	1
24	218-498	Nut - Lock	3
25	218-589	Washer - Lock	1
26	75-1010	Switch (Incl. Ref. #24 & 25)	1
27	72-9760	Switch - Override (Incl. Ref. #24)	1



T-2265-2

TRACTION HANDLE ASSEMBLY

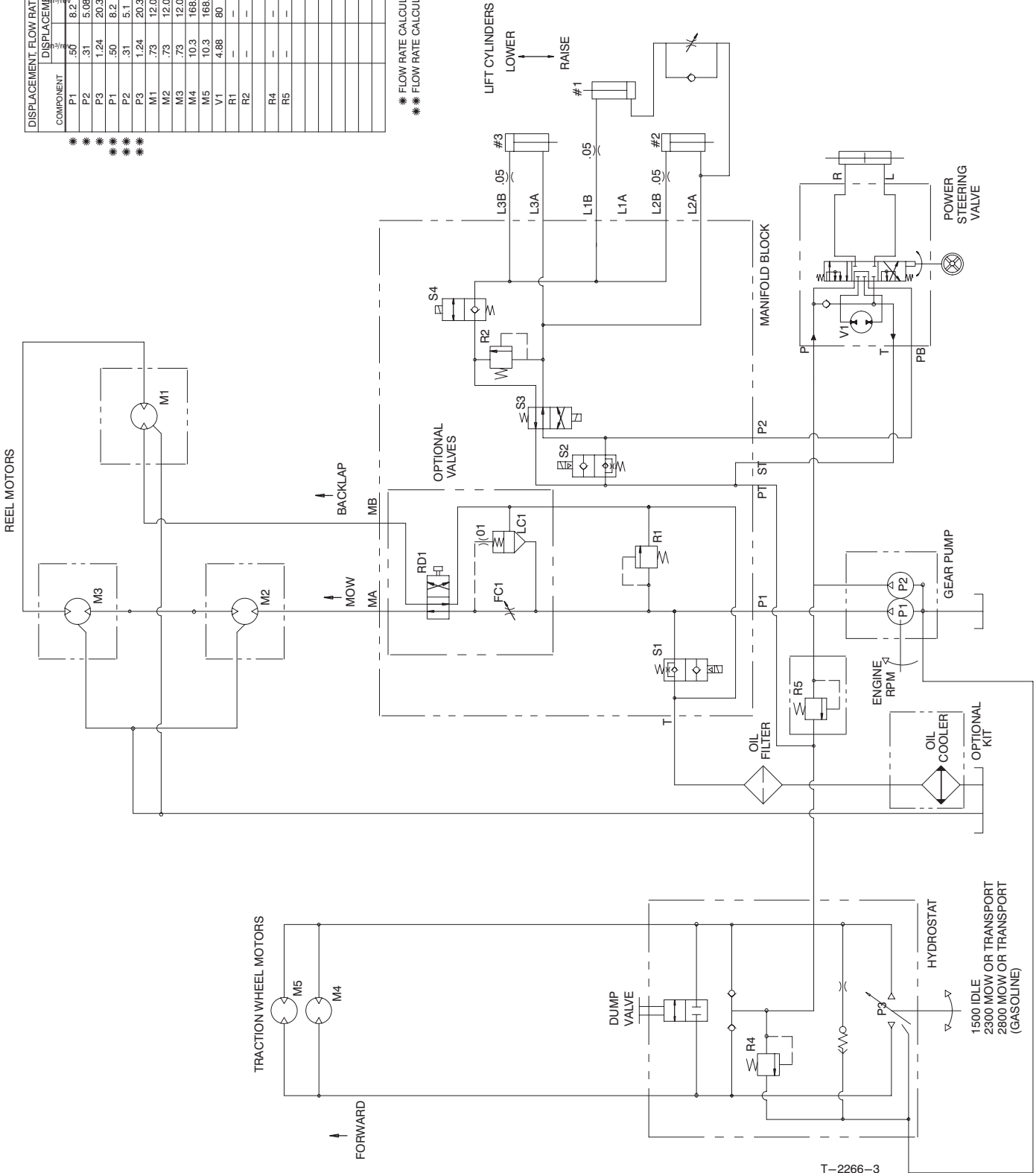
Ref. No.	Part No.	Description	No. Used
1	2411-38	Ball Joint	1
2	93-2279	Clamp - Cable	1
3	33113-008	Screw - HH	2
4	3296-27	Nut - Lock	1
5	33024-00	Nut - Lock NI	1
6	3273-26	Screw - HSH	2
7	94-9611	Handle	1
8	256-311	Bushing - Straight	1
9	93-2055	Reed Switch - Sensor	2
10	93-2056	Reed Switch - Actuator	1
11	94-1378	Tube - Handle Pivot	1
12	33115-040	Screw - HH	1
13	33025-00	Nut - Lock NI	1
14	3256-24	Washer - Flat	1
15	94-6398	Bracket - Traction	1

Ref. No.	Part No.	Description	No. Used
17	75-5470	Spacer	1
18	3296-27	Nut - Lock	2
19	251-259	Bearing - Ball	1
20	94-9617	Pin - Spring	1
21	233-42	Knob	1
22	94-9614	Roller Pivot - Welded	1
23	94-9619	Bushing	1
24	3256-1	Washer - Flat	2
25	94-9618	Spacer - Spring	1
26	94-9620	Spring - Torsion	1
27	33023-00	Nut - Lock	1
28	3219-14	Nut - Jam	1
29	94-1304	Cable - Neutral Lock (Incl. Ref. #28)	1

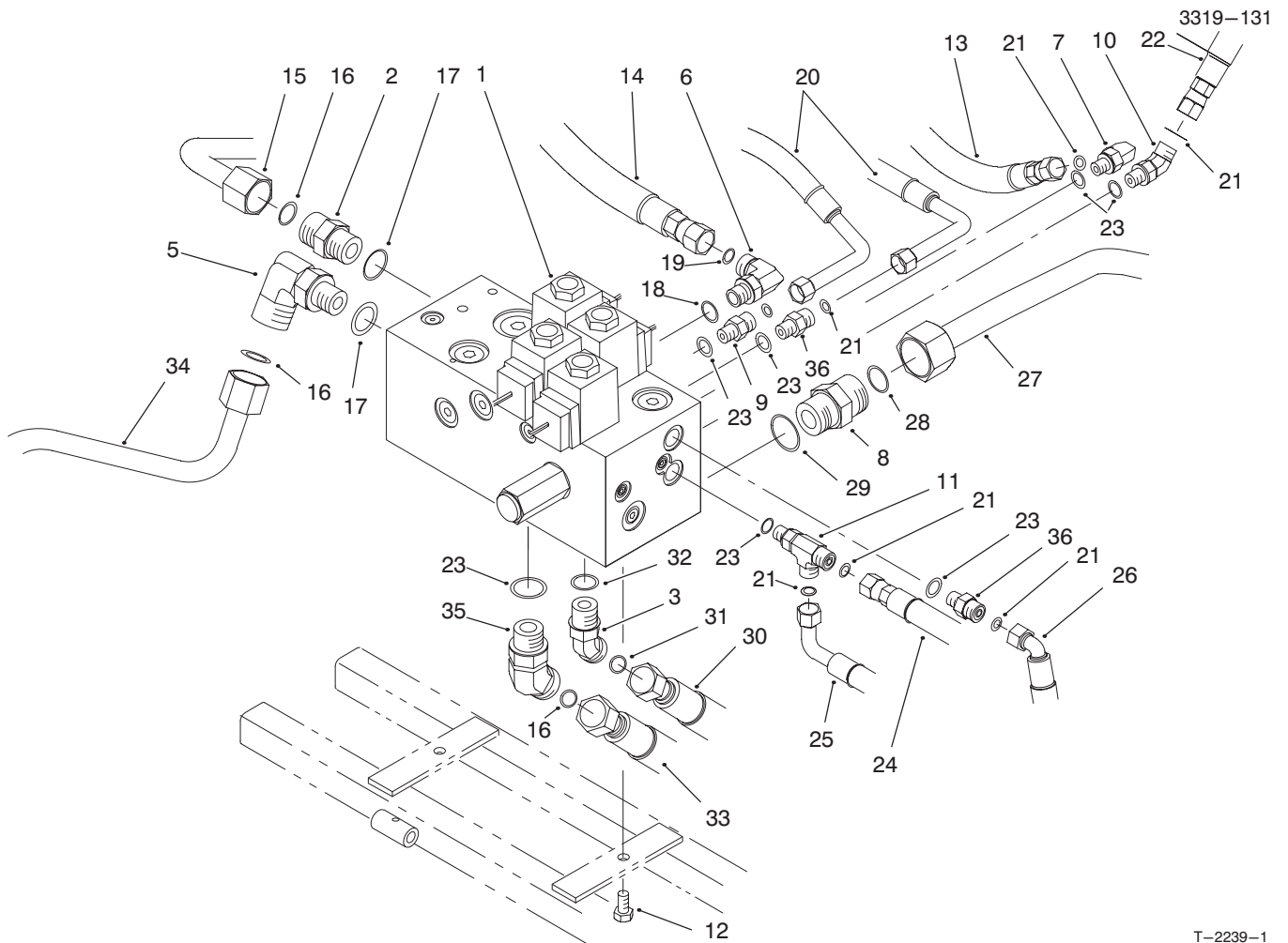
HYDRAULIC SCHEMATIC

DISPLACEMENT FLOW RATE AND PRESSURE CHART					
COMPONENT	DISPLACEMENT cu in/rev	PRESSURE		FLOW RATE	
		PSI	BARS	GPM	LPM
P1	.50	8.2	—	5.9	22.4
P2	.31	5.08	—	3.7	13.9
P3	1.24	20.3	—	14.8	55.8
P1	.50	8.2	—	4.9	18.5
P2	.31	5.1	—	3.0	11.4
P3	1.24	20.3	—	12.1	45.8
M1	.73	12.0	—	—	—
M2	.73	12.0	—	—	—
M3	.73	12.0	—	—	—
M4	10.3	168.8	—	—	—
M5	10.3	168.8	—	—	—
V1	4.88	80	—	—	—
R1	—	—	2400	—	—
R2	—	—	150	10	—
R4	—	—	100	7	—
R5	—	—	1000	69	—

** FLOW RATE CALCULATED AT 2800 RPM AND 98% EFFICIENCY
 *** FLOW RATE CALCULATED AT 2300 RPM AND 98% EFFICIENCY



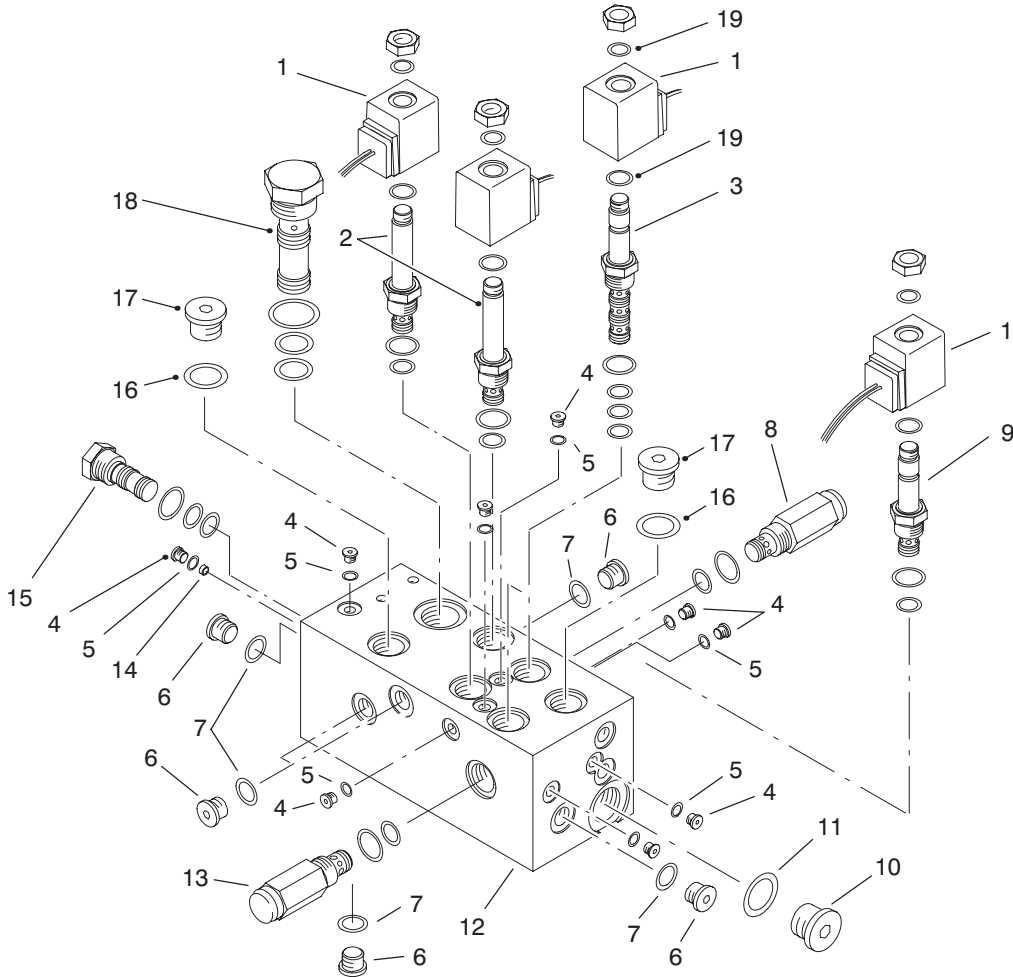
T-2266-3



T-2239-1

MANIFOLD INSTALLATION ASSEMBLY

Ref. No.	Part No.	Description	No. Used	Ref. No.	Part No.	Description	No. Used
1	93-2240	Manifold Assembly	1	16	237-65	O-Ring	3
2	340-7	Fitting - Hydraulic (Incl. Ref. #16-17)	1	17	237-80	O-Ring	2
3	340-138	Fitting - Hydraulic 45° (Incl. Ref. #31-32)	1	18	237-42	O-Ring	1
5	340-17	Fitting - Hydraulic 90° (Incl. Ref. #16-17)	1	19	237-22	O-Ring	1
6	340-77	Fitting - Hydraulic 90° (Incl. Ref. #18-19)	1	20	93-2254	Tube - Hydraulic	2
7	340-132	Fitting - Hydraulic 90° (Incl. Ref. #21 & 23)	1	21	237-21	O-Ring	7
8	340-9	Fitting - Hydraulic (Incl. Ref. #28-29)	1	22	94-3477	Hose Assembly	1
9	340-92	Fitting - Hydraulic (Incl. Ref. #21 & 23)	1	23	237-78	O-Ring	7
10	340-103	Fitting - Hydraulic 45° (Incl. Ref. #21 & 23)	1	24	93-2258	Hose Assembly	1
11	340-140	Tee - Hydraulic (Incl. Ref. #21 & 23)	1	25	93-2256	Hose Assembly	1
12	33114-016	Screw - HH	2	26	93-2255	Hose Assembly	1
13	93-2271	Hose Assembly	1	27	94-4518	Tube - Hydraulic	1
14	93-2272	Hose Assembly	1	28	237-58	O-Ring	1
15	94-1317	Tube - Hydraulic	1	29	237-81	O-Ring	1
				30	94-1331	Hose Assembly	1
				31	237-30	O-Ring	1
				32	237-79	O-Ring	1
				33	94-1332	Hose Assembly	1
				34	94-1320	Tube - Hydraulic	1
				35	340-14	Fitting - Hydraulic (Incl. Ref. #16 & 23)	1
				36	95-1639	Fitting - Orificed (Incl. Ref. #21 & 23)	2



T-2251-1

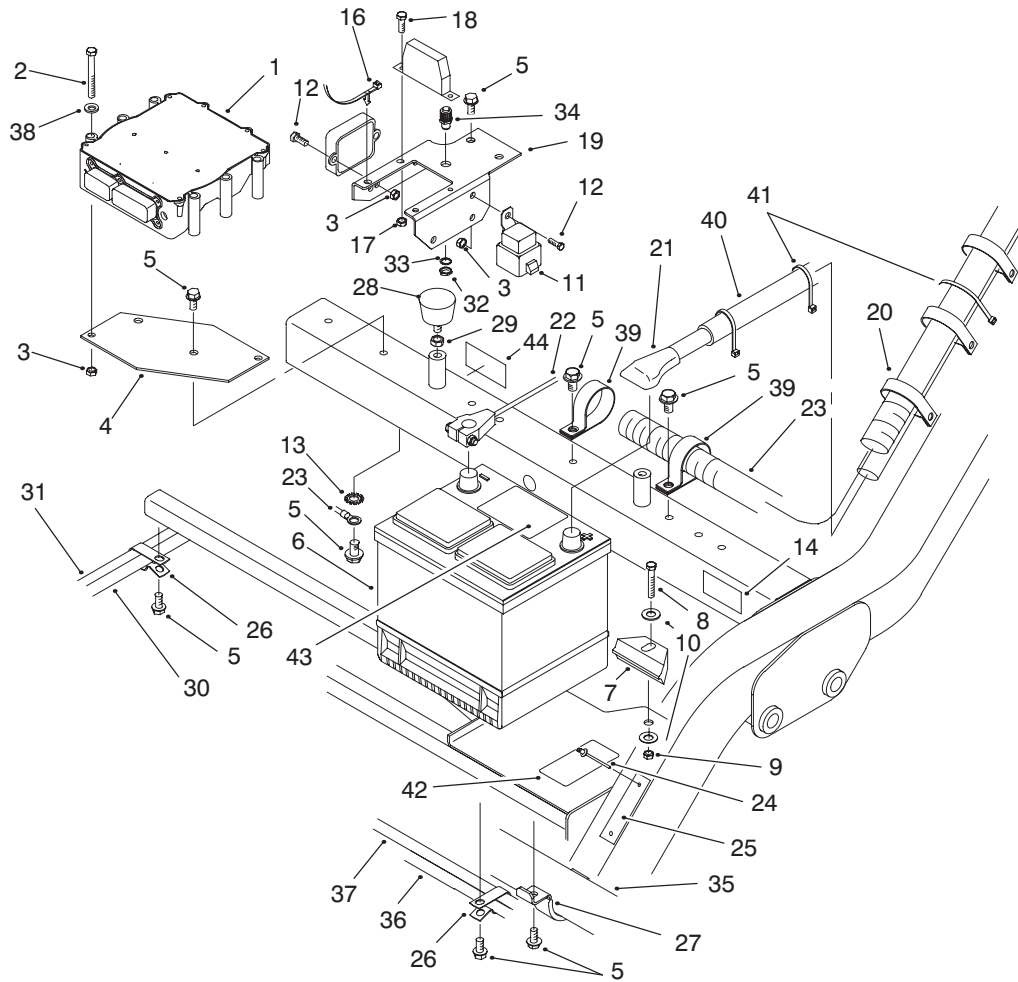
MANIFOLD ASSEMBLY NO. 93-2240

Ref. No.	Part No.	Description	No. Used
1	88-9190	Solenoid - 20 Watt	4
2	93-7494	Cartridge - N.O. Poppet (Use Seal Kit #75-2080)	2
3	94-2627	Cartridge (Use Seal Kit #75-2090)	1
4	353-991	Plug (Incl. Ref. #5)	9
5	237-156	O-Ring	9
6	353-989	Plug (Incl. Ref. #7)	6
7	237-42	O-Ring	6
8	95-1601	Cartridge - Relief 2400 psi (Use Seal Kit #75-2080)	1
9	92-6315	Cartridge - N.C. (Use Seal Kit #75-2080)	1
10	353-988	Plug (Incl. Ref. #11)	1
11	237-79	O-Ring	1

Ref. No.	Part No.	Description	No. Used
†12		Body - Manifold	1
13	94-6351	Cartridge - Relief 150 psi (Use Seal Kit #75-2080)	1
14	95-5999	Plug - Orifice	1
15	94-6353	Cartridge Valve Assembly (use Seal Kit #95-5641)	1
16	237-80	O-Ring	2
17	354-70	Plug (Incl. Ref. #16)	2
18	94-6352	Plug - Cavity (Use Seal Kit #94-3661)	1
19	94-5438	Seal - Solenoid	8
*	75-2080	Seal Kit	5
*	95-5641	Seal Kit	1
*	75-2090	Seal Kit	1
*	94-3661	Seal Kit	1

*Not Illustrated

†Not Serviced Separately



T-2238-3

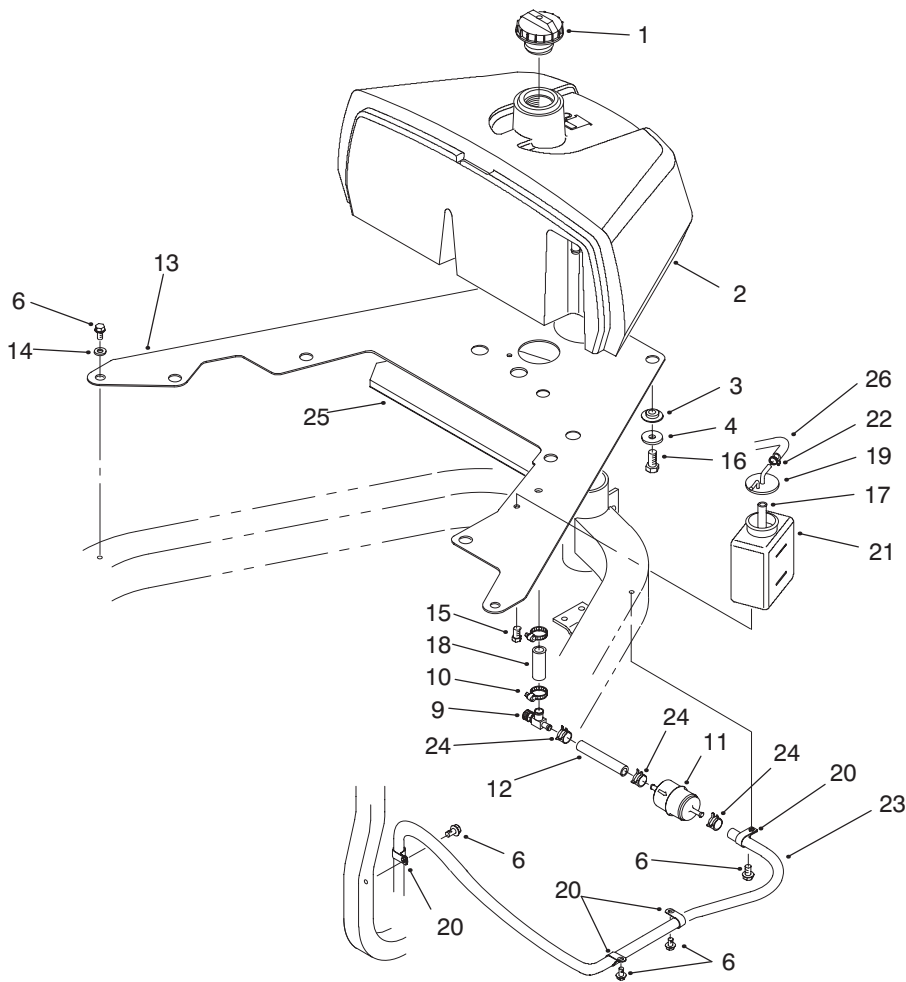
BATTERY & CONTROLLER ASSEMBLY

Ref. No.	Part No.	Description	No. Used	Ref. No.	Part No.	Description	No. Used
1	92-5720	Controller – Electronic Note: This part must be programmed with Part No. 94-7342 by distributor before installation.	1	23	93-2349	Wire Harness (Incl. Ref. #32-34)	1
2	33113-070	Screw – HH	2	24	3290-415	Rivet – Pop	2
3	33023-00	Nut – Lock NI	5	†25		Serial Plate	1
4	93-2089	Bracket – Controller	1	26	92-5753	Clamp – Hose, Double	2
5	32144-14	Screw – HH	13	27	93-2036	Clamp – Air Hose	1
6	66-2750	Battery	1	28	68-3270	Bumper – Rubber	2
7	66-2490	Retainer – Battery	1	29	3218-2	Nut – Jam	2
8	33114-040	Screw – HH	1	30	93-2269	Hose Assembly	1
9	33024-00	Nut – Lock NI	1	31	93-2270	Hose Assembly	1
10	3256-23	Washer – Flat	2	†32		Nut – Lock	1
11	70-1480	Relay	1	†33		Washer – Lock	1
12	33113-016	Screw – HH	3	34	85-4491	Lamp – Diagnostic	1
13	3254-2	Washer – Lock	1	35	93-2035	Hose – Air Cleaner	1
†14		Decal – ANSI	1	36	93-2255	Hose Assembly	1
16	94-1325	Push Mount Tie	2	37	93-2256	Hose Assembly	1
17	3296-2	Nut – Lock	2	38	3256-22	Washer – Flat	2
18	32105-13	Screw – HH	2	39	2412-39	Clamp – R	2
19	93-2123	Bracket – Fuse Block	1	40	94-4519	Tube – Convuluted	1
20	2412-104	Clamp – R	3	41	3290-378	Tie – Cable	3
21	93-2343	Cable – Battery, Positive	1	42	93-6668	Decal – Battery	1
22	93-2344	Cable – Battery, Negative	1	43	93-7276	Decal – Danger	1
				‡44	74562-87801	Decal – Emissions	1
				*	70-8570	Circuit Breaker – 40 Amp	2

*Not Illustrated

†Not Serviced Separately

‡Obtain replacement parts from your local Briggs & Stratton Dealer.



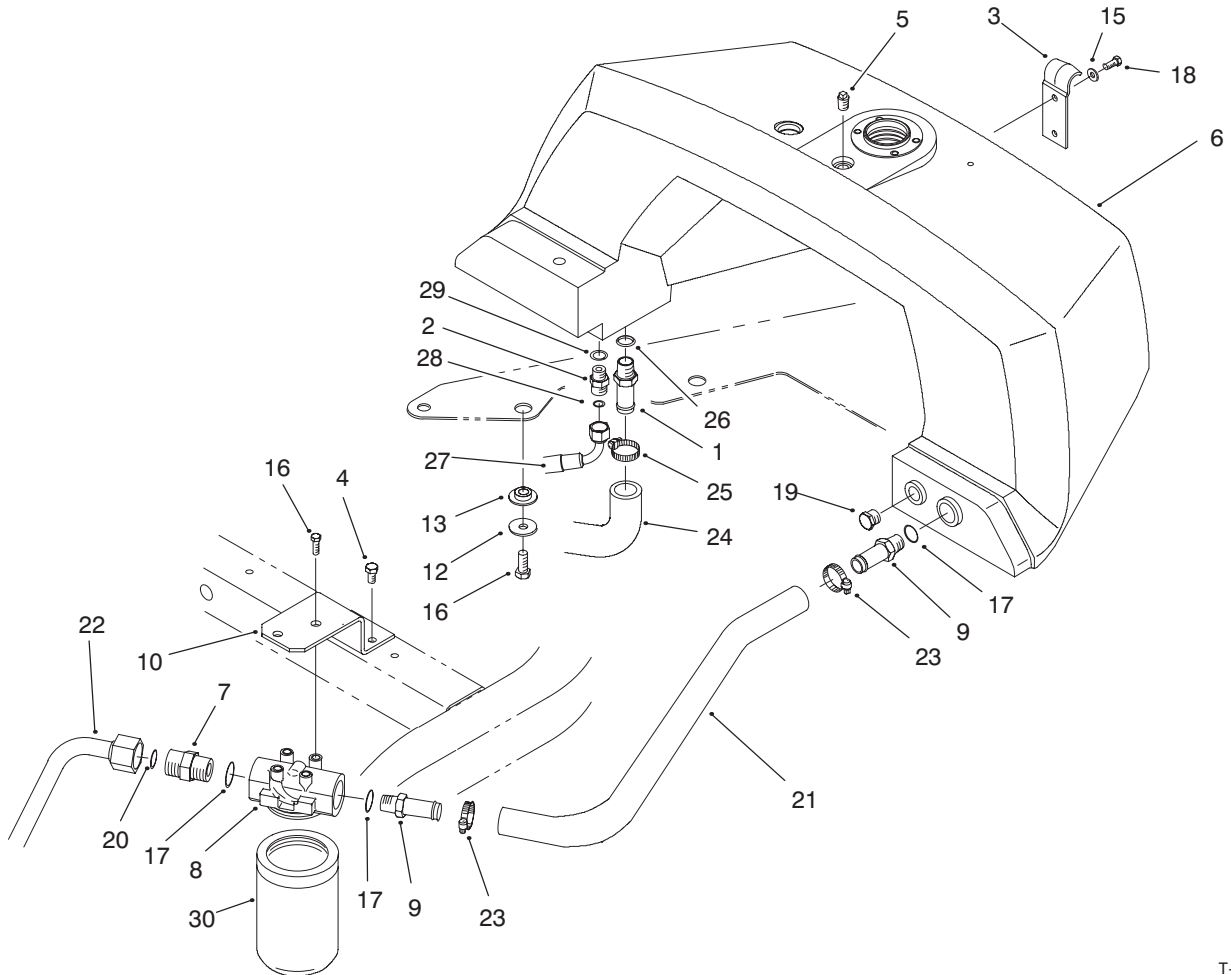
TORO.93.3200.21

T-2232-3

FUEL SYSTEM ASSEMBLY

Ref. No.	Part No.	Description	No. Used
1	93-3101	Cap - Fuel	1
2	93-2224	Tank - Fuel, Gasoline	1
3	240-11	Grommet	3
4	93-4637	Washer - Flat	3
6	32144-14	Screw - HH	7
9	83-1390	Fitting - Fuel Shutoff	1
10	2412-36	Clamp - Hose	2
11	95-2926	Filter - Fuel	1
12	93-2227	Hose - Fuel	1
13	94-1364	Plate	1
14	3256-23	Washer - Flat	2
15	33114-016	Screw - HH	2

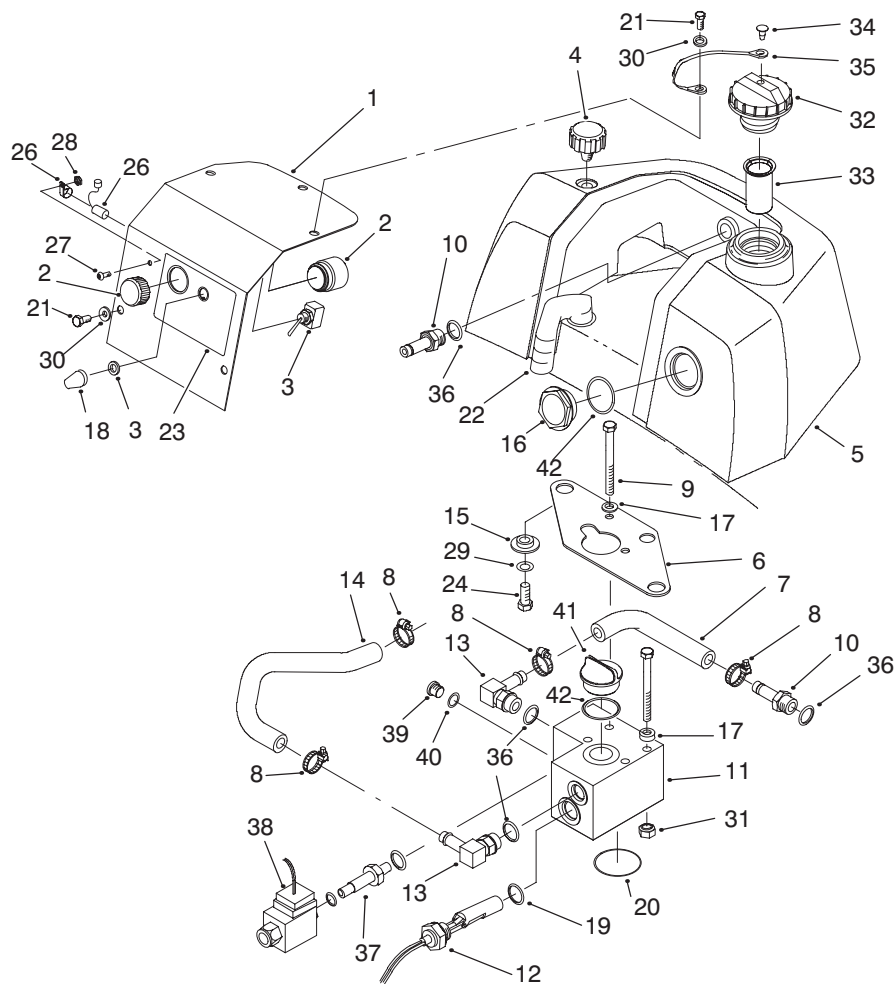
Ref. No.	Part No.	Description	No. Used
16	33115-020	Screw - HH	3
17	94-1348	Hose - Tank, Recovery	1
18	56-2230	Hose - Fuel	1
19	93-2048	Cap - Overflow Tank	1
20	2412-41	Clamp - R	4
21	93-2049	Tank - Overflow	1
22	2412-108	Clamp - Hose	1
23	93-2228	Hose - Fuel	1
24	2412-98	Clamp - Hose	3
25	94-3474	Pad - Thermal	1
26	93-2260	Hose - Expansion Tank	1



T-2233-2

HYDRAULIC RESERVOIR ASSEMBLY

Ref. No.	Part No.	Description	No. Used	Ref. No.	Part No.	Description	No. Used
1	354-78	Fitting - Barb (Incl. Ref. #26)	1	15	3256-1	Washer - Flat	2
2	340-2	Fitting - Hydraulic (Incl. Ref. #28-29)	1	16	33115-020	Screw - HH	6
3	93-2438	Clamp - Fuel Tank	1	17	237-81	O-Ring	3
4	32144-14	Screw - HH	2	18	33113-016	Screw - HH	2
5	281-10	Plug - Pipe	1	19	353-988	Plug	1
6	93-2235	Tank - Hydraulic	1	20	237-58	O-Ring	1
7	340-9	Fitting - Hydraulic (Incl. Ref. #17 & 20)	1	21	94-9607	Hose - Formed	1
8	93-2242	Filter Assembly - Oil (Incl. Ref. #30)	1	22	94-4518	Tube - Hydraulic	1
9	354-73	Fitting - Hydraulic (Incl. Ref. #17)	2	23	2412-129	Clamp - Hose	2
10	93-2236	Mount - Oil Filter	1	24	93-2068	Hose - Pump Inlet	1
12	93-4637	Washer - Flat	4	25	2412-34	Clamp - Hose	1
13	240-11	Grommet	4	26	237-146	O-Ring	1
				27	94-4539	Hose Assembly	1
				28	237-22	O-Ring	1
				29	237-42	O-Ring	1
				30	75-1310	Element	1



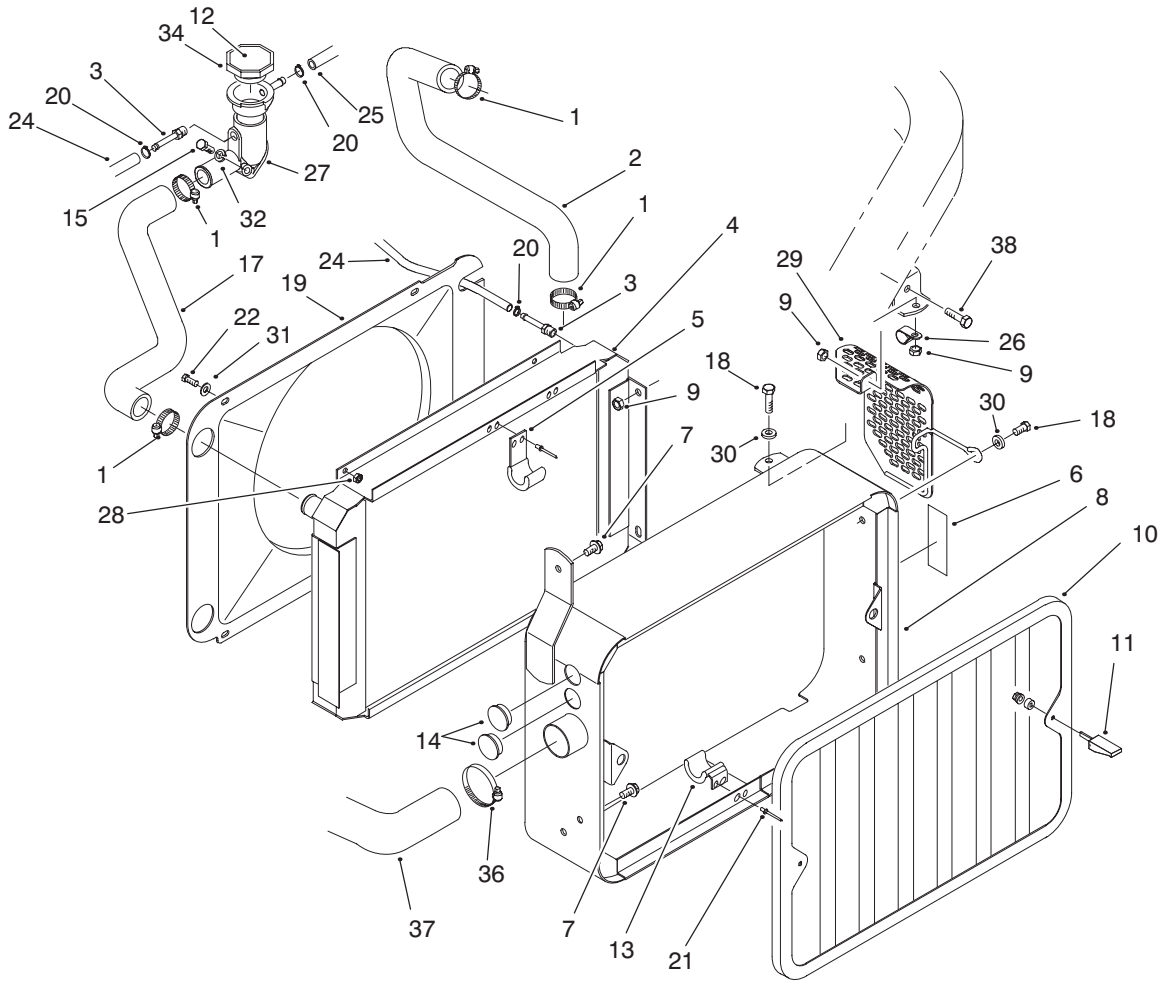
T-2234-3

LEAK DETECTOR ASSEMBLY

Ref. No.	Part No.	Description	No. Used
1	93-2435	Plate - Cover	1
2	80-9330	Alarm - Audio	1
3	20-7150	Switch - Toggle	1
4	68-6150	Breather - Air	1
5	93-2429	Tank - Leak Detection	1
6	94-8165	Plate - Mounting	1
7	93-2434	Hose - Formed, Outlet	1
8	2412-36	Clamp - Hose	4
9	33114-090	Screw - HH	4
10	354-121	Fitting - Barb (Incl. Ref. #36)	2
11	93-2430	Valve Assembly (Incl. Ref. #37-42)	1
12	83-1450	Sensor - Oil Level	1
13	354-120	Fitting - Barb (Incl. Ref. #36)	2
14	93-2433	Hose - Formed, Inlet	1
15	240-11	Grommet	2
16	83-2250	Guage - Sight	1
17	3256-23	Washer - Flat	2
18	218-473	Boot - Toggle Switch	1
19	237-80	O-Ring	1
20	94-9649	O-Ring	1

Ref. No.	Part No.	Description	No. Used
21	33113-016	Screw - HH	5
22	94-1350	Harness - Leak Detector	1
23	93-2436	Decal - Leak Detector	1
24	33115-020	Screw - HH	2
26	83-2280	Timer - Delay	1
27	3274-39	Screw - HSBH	1
28	3296-12	Nut - Lock	1
29	93-4637	Washer - Flat	2
30	3256-1	Washer - Flat	5
31	33024-00	Nut - Lock NI	4
32	93-7160	Cap - Hydraulic Oil (Incl. Ref. #34-35)	1
33	93-2275	Screen - Filler	1
†34		Plug	1
†35		Tether	1
36	237-79	O-Ring	4
†37		Spool - Valve	1
†38		Coil - Valve	1
39	353-990	Plug (Incl. Ref. #40)	1
40	237-78	O-Ring	1
41	93-7498	Plug - Plastic	1
42	94-8166	O-Ring	2
43	73-3540	Washer - Flat	2

† Not Serviced Separately.

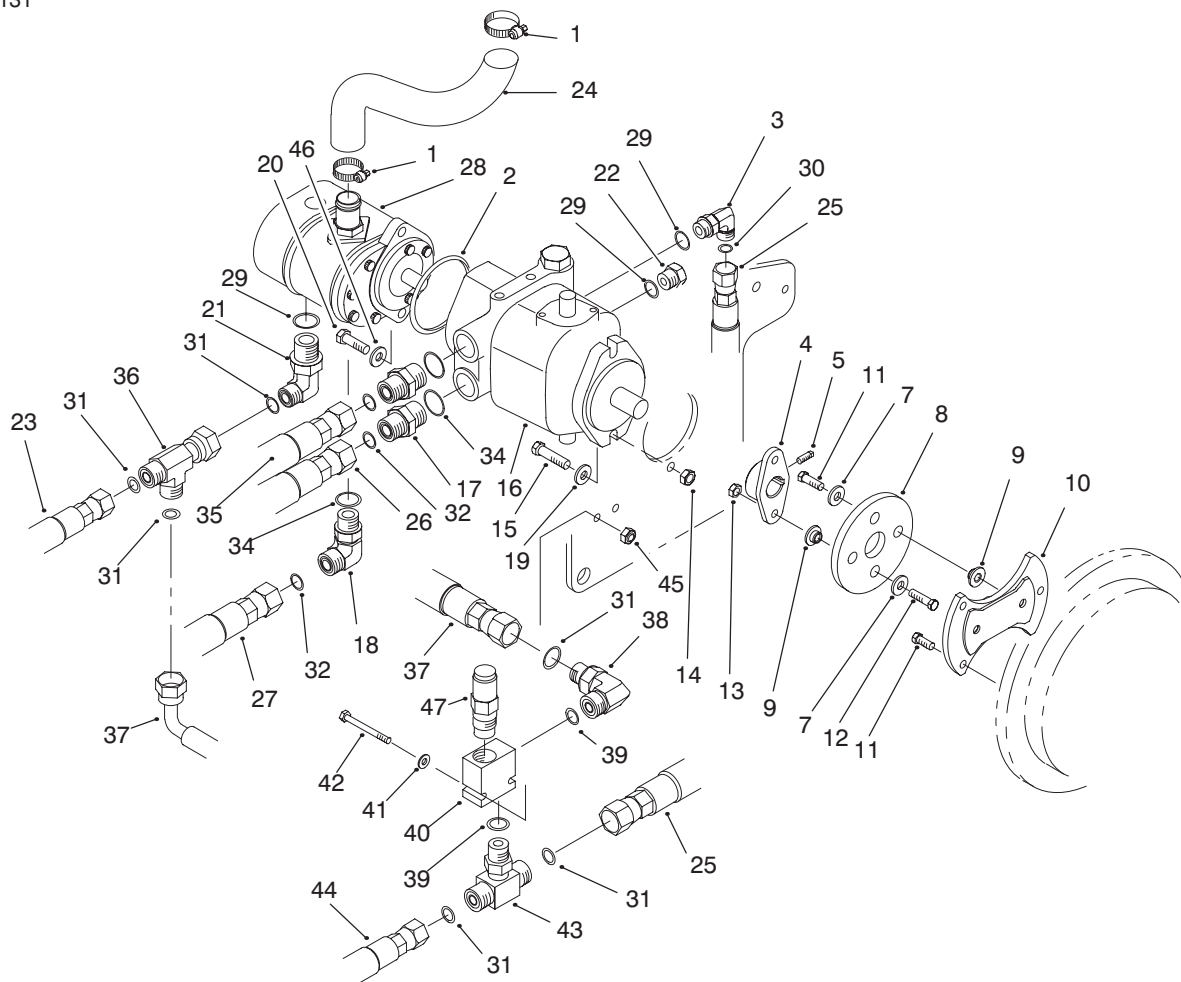


T-2229-4

RADIATOR ASSEMBLY

Ref. No.	Part No.	Description	No. Used
1	2412-34	Clamp - Hose	4
2	94-9608	Hose - Radiator	1
3	304-73	Fitting - Hose Barb	2
4	93-2300	Radiator	1
5	93-2425	Bracket - Cooler, Upper	2
6	93-6681	Decal - Warning, Fan	1
7	32144-14	Screw - HH	2
8	94-9623	Radiator Support Asm. (Incl. Ref. #6)	1
9	33024-00	Nut - Lock NI	6
10	93-2050	Screen	1
11	74-5950	Latch - Swell	2
12	93-7840	Decal - Radiator Cap	1
13	93-2424	Bracket - Cooler, Lower	2
14	94-4528	Plug	2
15	33113-025	Screw - HH	2
17	93-2018	Hose - Radiator	1
18	33114-020	Screw - HH	5

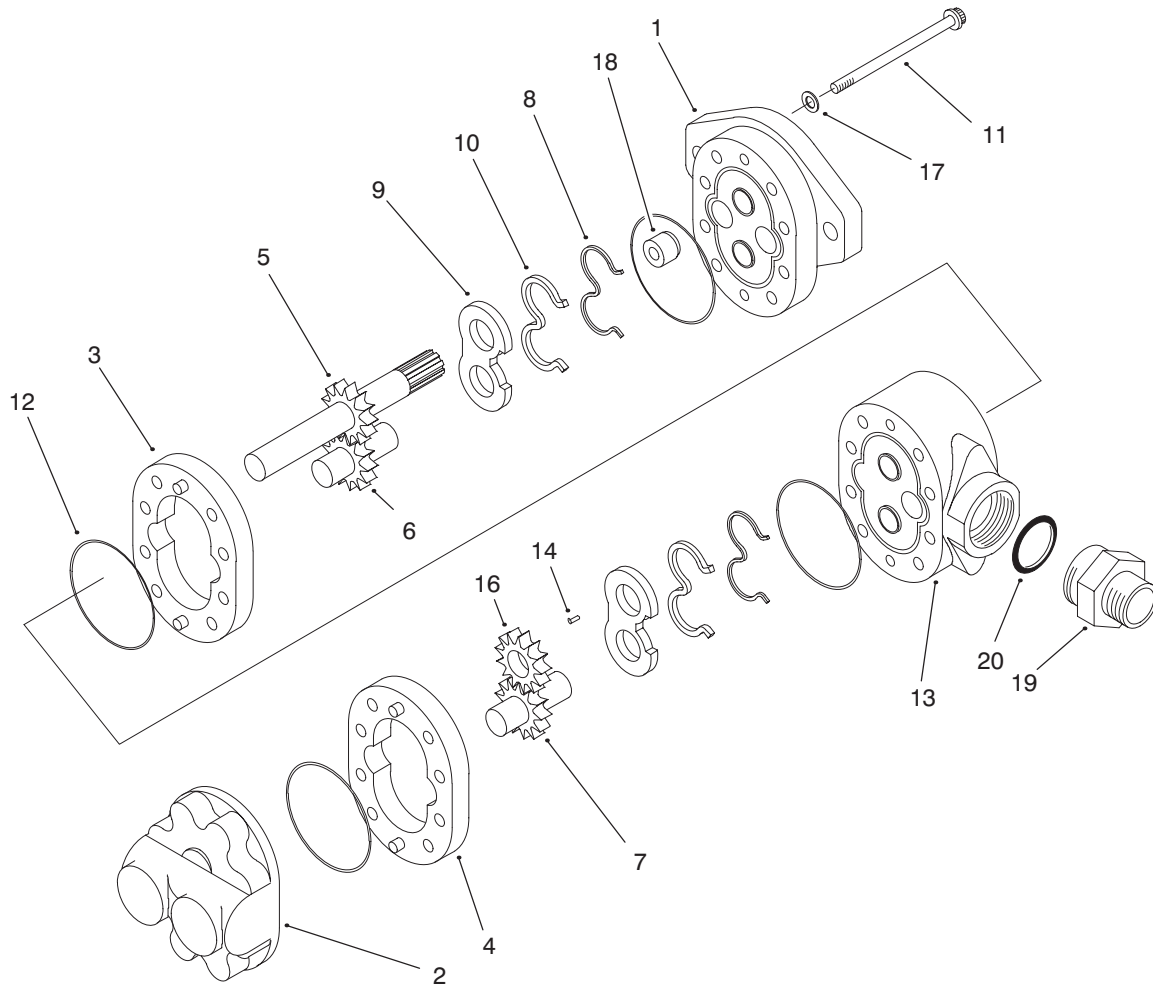
Ref. No.	Part No.	Description	No. Used
19	93-2320	Shroud - Fan	1
20	2412-108	Clamp - Hose	3
21	3269-15	Rivet - Pop	8
22	33113-016	Screw - HH	4
24	94-4522	Hose - Breather	1
25	93-2260	Hose - Expansion Tank	1
26	2412-41	Clamp - R	1
27	93-2448	Housing - Thermostat	1
28	33023-00	Nut - Lock NI	4
29	94-6370	Alternator Guard Assembly	1
30	3256-23	Washer	2
31	3256-22	Washer - Flat	4
32	3253-3	Washer - Spring Lock	2
34	66-3240	Cap - Radiator	1
36	2412-92	Clamp - Hose	1
37	93-2035	Hose - Air Cleaner	1
38	33114-016	Screw - HH	1



T-2227-3

HYDRAULIC PUMP & HYDROSTAT ASSEMBLY

Ref. No.	Part No.	Description	No. Used	Ref. No.	Part No.	Description	No. Used
1	2412-34	Clamp - Hose	2	23	93-2252	Hose Assembly	1
2	60-3520	O-Ring	1	24	94-8174	Hose - Pump Inlet	1
3	340-98	Fitting - Hydraulic 90° (Incl. Ref. #29-30)	1	25	94-6384	Hose Assembly	1
4	93-2589	Hub - Pump	1	26	94-5355	Hose Assembly	1
5	3241-6	Screw - SQH	2	27	94-1332	Hose Assembly	1
7	3256-3	Washer - Flat	4	28	95-0533	Gear Pump - 2 Section	1
8	80-8650	Coupling - Rubber	1	29	237-79	O-Ring	3
9	27-6600	Spacer - Coupling	4	30	237-30	O-Ring	1
10	93-2220	Pump Adapter	1	31	237-22	O-Ring	6
11	33114-020	Screw - HH	5	32	237-65	O-Ring	3
12	33114-030	Screw - HH	2	34	237-81	O-Ring	3
13	33024-00	Nut - Lock NI	2	35	94-5356	Hose Assembly	1
14	33025-00	Nut - Lock NI	2	36	340-115	Fitting - Tee	1
15	33115-040	Screw - HH	2	37	94-8167	Hose Assembly	1
16	93-2586	Hydrostat	1	38	340-77	Fitting - Hydraulic (Incl. Ref. #31 & 39)	1
17	340-8	Fitting - Hydraulic (Incl. Ref. #32 & 34)	2	39	237-42	O-Ring	2
18	340-17	Fitting - Hydraulic 90° (Incl. Ref. #32 & 34)	1	40	94-6385	Valve - Relief (Incl. Ref. #47)	1
19	3256-24	Washer - Flat	4	41	3256-22	Washer - Flat	2
20	3274-1	Screw - HH	2	42	33113-050	Screw - HH	2
21	340-18	Fitting - Hydraulic (Incl. Ref. #29 & 31)	1	43	340-94	Fitting - Tee	1
22	353-988	Plug (Incl. Ref. #29)	1	44	94-6383	Hose Assembly	1
				45	33023-00	Nut - Lock	2
				46	3256-24	Washer - Flat	2
				47	94-6386	Cartridge - Relief Valve	1



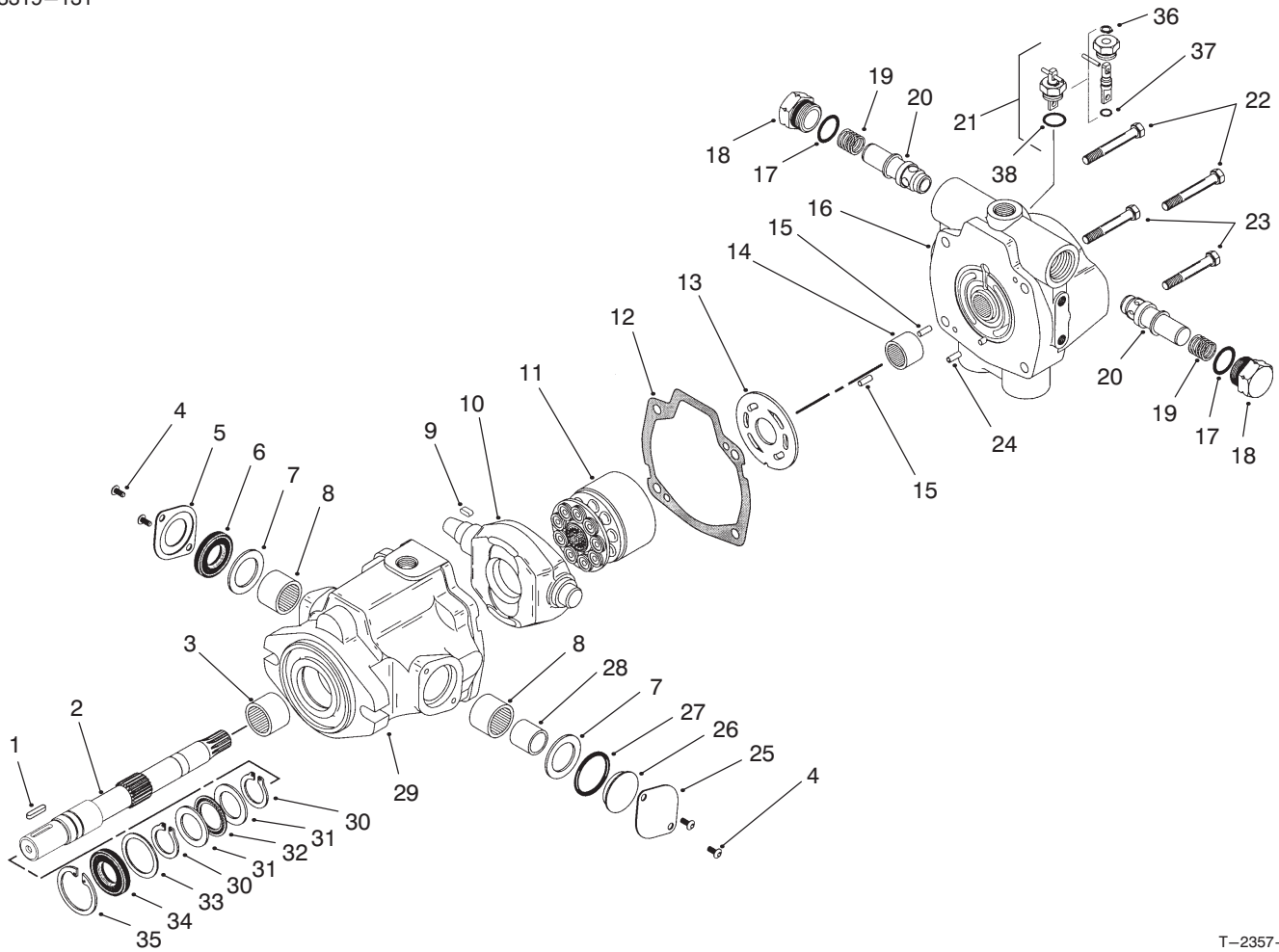
T-2392-1

GEAR PUMP ASSEMBLY NO. 95-0533

Ref. No.	Part No.	Description	No. Used	Ref. No.	Part No.	Description	No. Used
†1		Plate – Front	1	†13		Plate – Adapter	1
†2		Plate – Back	1	†14		Key	1
†3		Body	1	†15		Tube	1
†4		Body	1	†16		Gear	1
†5		Gear – Drive	1	17	94-8160	Washer	4
†6		Gear – Idler	1	18	94-3011	Plug	1
†7		Gear – Idler	1	†19		Fitting – Suction	1
†8		Gasket – Backup	2	†20		Seal – O-Ring	1
†9		Plate – Wear	2	*	94-8161	Kit – Seal Repair (Incl. Ref. #8-10,12, 14 & 20)	1
†10		Seal – Pressure	2				
11	94-8158	Screw – Cap	8				
†12		O-Ring	4				

† Not Serviced Separately.

* Not Illustrated.



T-2357-1

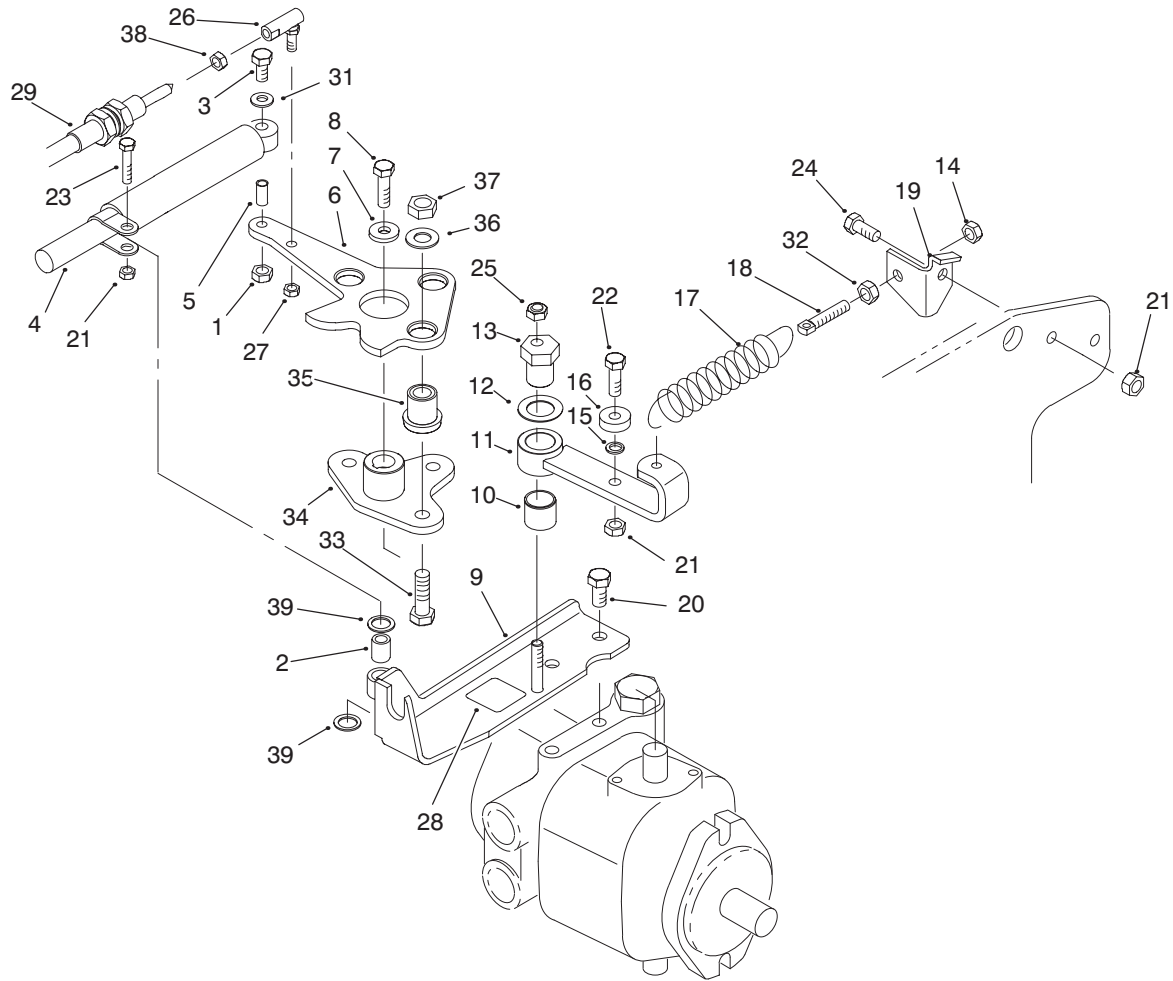
HYDROSTAT ASSEMBLY NO. 93-2586

Ref. No.	Part No.	Description	No. Used
1	94-3645	Key	1
2	94-6359	Shaft - Drive	1
3	94-6363	Bearing	1
4	60-6330	Screw	4
5	76-6080	Seal - Cover	1
6	76-6190	Seal - Shaft	1
7	76-6180	Washer	2
8	252-95	Bearing - Thrust	2
9	94-3646	Key	1
10	94-3643	Plate - Cam	1
11	76-6070	Rotating Kit Assembly	1
†12		Gasket	1
13	94-6360	Plate - Valve	1
14	94-6368	Bearing	1
15	76-6150	Pin - Dowel	2
16	94-6361	Back Plate Assembly (Incl. Ref. #14 & 24)	1
†17		O-Ring	4
18	70-1240	Plug Assembly (Incl. Ref. #17)	2
19	76-6200	Spring	2
20	94-3644	Seat	2

Ref. No.	Part No.	Description	No. Used
21	39-2080	Dump Valve Assembly	1
22	76-6170	Screw - Cap	2
23	76-6160	Screw - Cap	2
†24		Pin - Roll	1
25	76-6090	Cover - Trunnion	1
26	76-6100	Cover - Trunnion O-Ring	1
27	76-6140	O-Ring	1
28	33-3750	Race - Inner	1
29	94-3641	Housing Assembly (Incl. Ref. #3)	1
30	32151-29	Ring - Retaining	2
31	252-71	Race - Bearing	2
32	252-66	Bearing - Thrust	1
33	33-3720	Washer	1
34	42-2720	Seal - Shaft	1
35	32151-13	Ring - Retaining	1
†36		Ring - Retaining	1
†37		O-Ring	1
†38		O-Ring	1
*	94-6362	Seal Repair Kit (Incl. Ref. #6, 12, 17, 27, 30 & 34-38)	1

* Not Illustrated

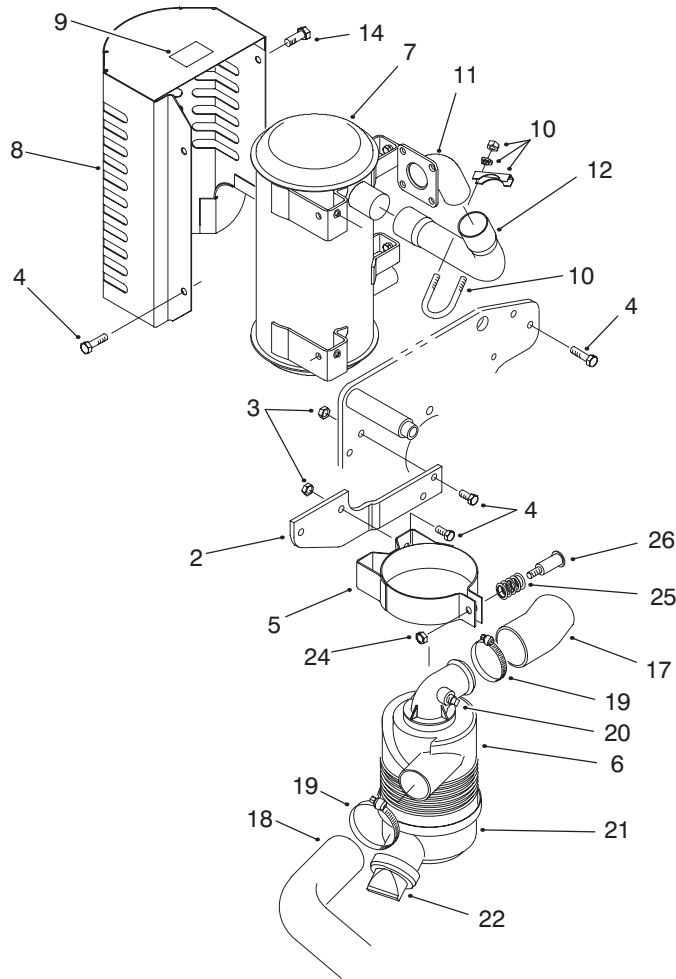
† Not Serviced Separately



T-2228-3

NEUTRAL SYSTEM ASSEMBLY

Ref. No.	Part No.	Description	No. Used	Ref. No.	Part No.	Description	No. Used
1	33023-00	Nut - Lock	1	20	323-4	Screw - HH	2
2	94-8197	Tube - Pivot	1	21	33024-00	Nut - Lock	3
3	33113-030	Screw - HH	1	22	33114-025	Screw - HH	1
4	76-8870	Lever Damper Assembly	1	23	33114-030	Screw - HH	1
5	94-1312	Spacer - Pivot	1	24	33114-020	Screw - HH	1
6	94-3488	Pump Lever	1	25	3296-29	Nut - Hex	1
7	88-7200	Washer - Pivot	1	26	2411-34	Ball Joint	1
8	3210-6	Screw - HH	1	27	3296-13	Nut - Lock	1
9	94-9603	Cable Support	1	28	93-9051	Decal - Eccentric Bolt	1
10	94-9609	Bushing - Straight	1	29	93-2099	Cable - Traction Control	1
11	94-4527	Neutral Arm	1	31	3256-22	Washer - Flat	1
12	3-6498	Washer - Thrust	1	32	3220-2	Nut - Jam	1
13	93-2111	Stud - Traction	1	33	33115-035	Screw - HH	3
14	3296-4	Nut - Lock Elastic	1	34	94-3486	Plate	1
15	75-5470	Spacer	1	35	63-9750	Mount - Rubber	3
16	251-259	Bearing - Ball	1	36	2844	Washer	3
17	94-1369	Spring - Ext.	1	37	33025-00	Nut - Lock	3
18	18-6380	Pin	1	38	3220-1	Nut - Jam	1
19	94-3491	Bracket - Spring	1	39	94-8196	Washer - Nylon	2



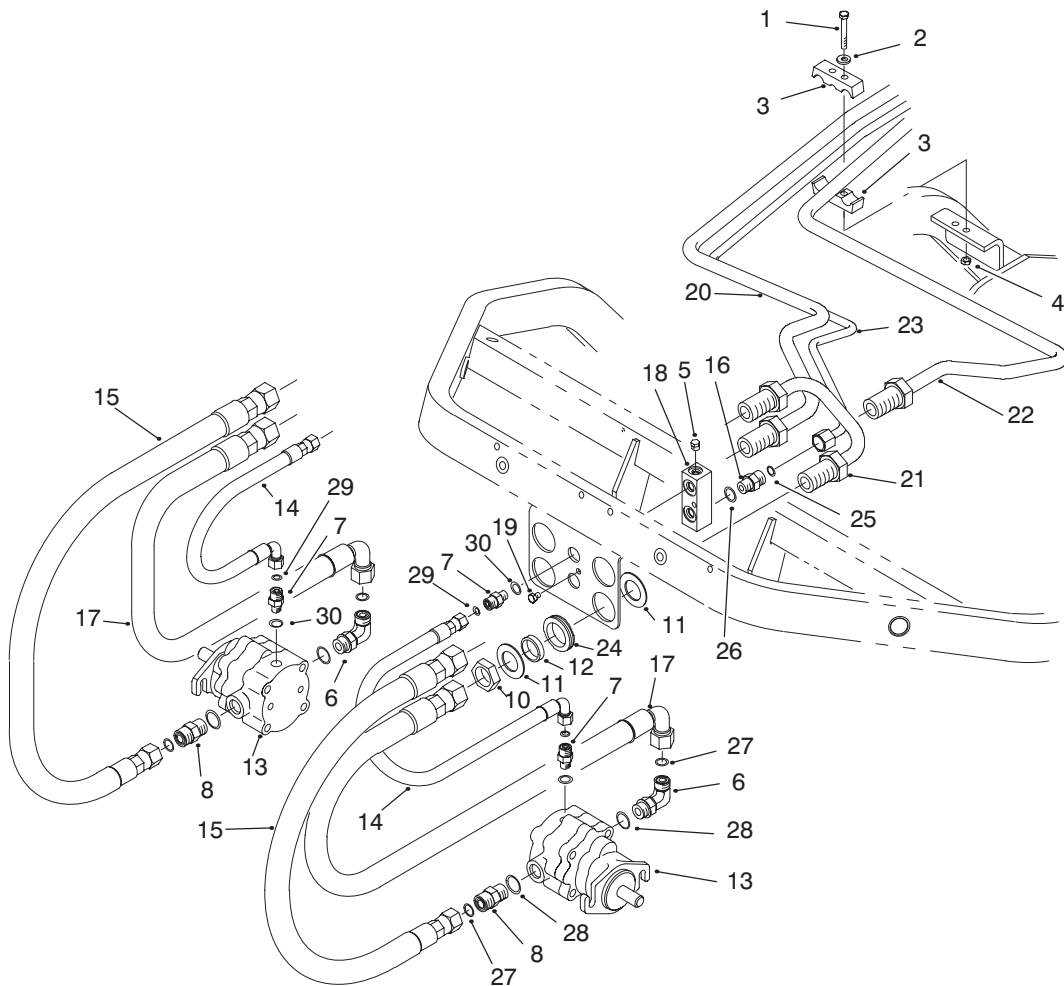
T-2237-2

MUFFLER & AIR CLEANER ASSEMBLY

Ref. No.	Part No.	Description	No. Used
2	94-5359	Bracket - Air Cleaner	1
3	33024-00	Nut - Lock NI	4
4	33114-020	Screw - HH	10
5	93-2191	Mounting Band Assembly (Incl. Ref. #24-26)	1
6	93-2190	Air Cleaner Assembly (Incl. Ref. #20-23)	1
7	94-8153	Muffler	1
*	94-8157	Arrestor - Spark (Optional)	1
8	94-9629	Muffler Shield Assembly (Incl. Ref. #9)	1
9	93-8069	Decal - Hot Surface	1

Ref. No.	Part No.	Description	No. Used
10	2112-9	Clamp	2
11	93-2188	Exhaust Bracket	1
12	93-2181	Pipe - Exhaust	1
17	93-2194	Hose - Air Cleaner	1
18	93-2035	Hose - Air Cleaner	1
19	2412-92	Clamp - Hose	2
20	285-17	Plug	1
21	94-3652	Cover Assembly	1
22	94-1414	Valve	1
*23	93-2195	Element - Air Cleaner	1
24	48-9510	Nut - Lock	1
25	94-3654	Spring - Compression	1
26	94-3653	Bolt	1

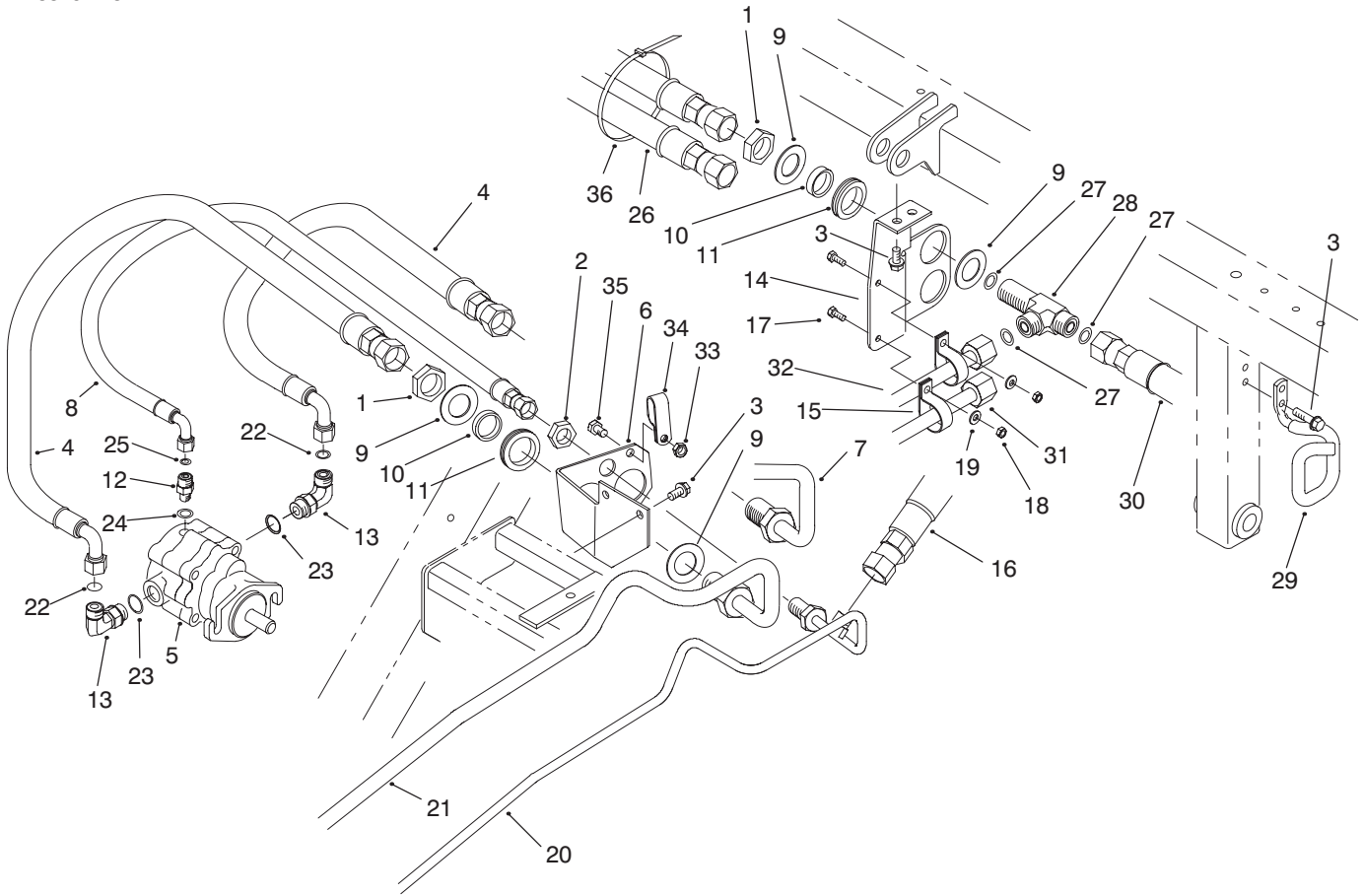
*Not Illustrated



T-2240-1

REEL MOTOR INSTALLATION ASSEMBLY – R.H. & L.H.

Ref. No.	Part No.	Description	No. Used	Ref. No.	Part No.	Description	No. Used
1	33113-050	Screw – HH	2	16	340-2	Fitting – Hydraulic (Incl. Ref. #25-26)	1
2	3256-1	Washer – Flat	2	17	95-2909	Hose Assembly	2
3	93-2509	Clamp – Tube	2	18	93-2238	T-Block (Incl. Ref. #5)	1
4	33023-00	Nut – Lock NI	2	19	33113-008	Screw – HH	1
5	353-991	Plug	1	20	94-1318	Tube – Hydraulic	1
6	340-98	Fitting – Hydraulic 90° (Incl. Ref. #27-28)	2	21	94-1319	Tube – Hydraulic	1
7	340-92	Fitting – Hydraulic (Incl. Ref. #29-30)	4	22	94-1320	Tube – Hydraulic	1
8	340-4	Fitting – Hydraulic (Incl. Ref. #27-28)	2	23	94-1321	Tube – Hydraulic	1
10	340-74	Nut – Bulkhead	4	24	240-3	Grommet – Rubber	4
11	69-9010	Washer	8	25	237-22	O-Ring	1
12	69-9000	Spacer	4	26	237-42	O-Ring	1
13	93-1375	Reel Motor	4	27	237-30	O-Ring	4
14	93-2264	Hose Assembly	2	28	237-79	O-Ring	4
15	95-2908	Hose Assembly	2	29	237-21	O-Ring	4
				30	237-78	O-Ring	4

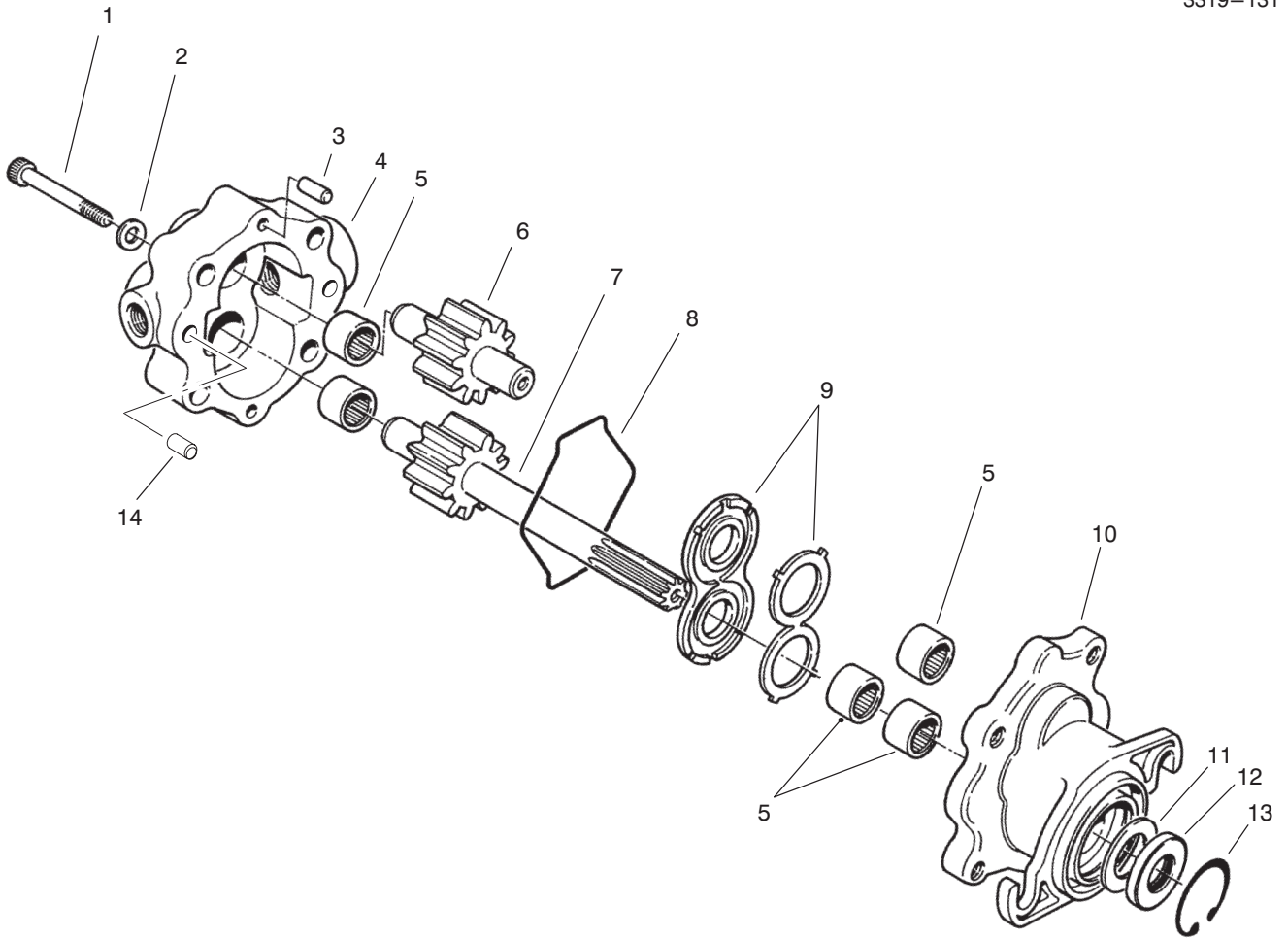


T-2241-3

REEL MOTOR INSTALLATION ASSEMBLY – REAR

Ref. No.	Part No.	Description	No. Used
1	340-74	Nut – Bulkhead	4
2	340-70	Nut – Bulkhead	1
3	32144-14	Screw – HH	6
4	95-2907	Hose Assembly	2
5	93-1375	Reel Motor	1
6	94-1316	Bracket – Bulkhead	1
7	94-1317	Tube – Hydraulic	1
8	94-1328	Hose Assembly	1
9	69-9010	Washer	8
10	69-9000	Spacer	4
11	240-3	Grommet – Rubber	4
12	340-92	Fitting – Hydraulic (Incl. Ref. #24-25)	1
13	340-98	Fitting – Hydraulic 90° (Incl. Ref. #22-23)	2
14	94-8155	Bracket – Bulkhead	1
15	2412-134	Clamp – R	2
16	94-4539	Hose Assembly	1
17	33113-020	Screw – HH	2
18	33023-00	Nut – Lock NI	2

Ref. No.	Part No.	Description	No. Used
19	3256-22	Washer – Flat	2
20	94-1321	Tube – Hydraulic	1
21	94-1318	Tube – Hydraulic	1
22	237-30	O-Ring	2
23	237-79	O-Ring	2
24	237-78	O-Ring	1
25	237-21	O-Ring	1
26	94-5357	Hose Assembly	2
27	237-65	O-Ring	3
28	94-5350	Fitting – Bulkhead Tee (Incl. Ref. #27)	2
29	94-5352	Retainer – Hose	1
30	94-5358	Hose Assembly	2
31	94-5353	Tube – Hydraulic	1
32	94-5354	Tube – Hydraulic	1
33	33024-00	Nut – Lock	1
34	2412-137	Clamp – Tube, Double	1
35	33114-020	Screw – HH	1
36	3290-378	Tie – Cable	1



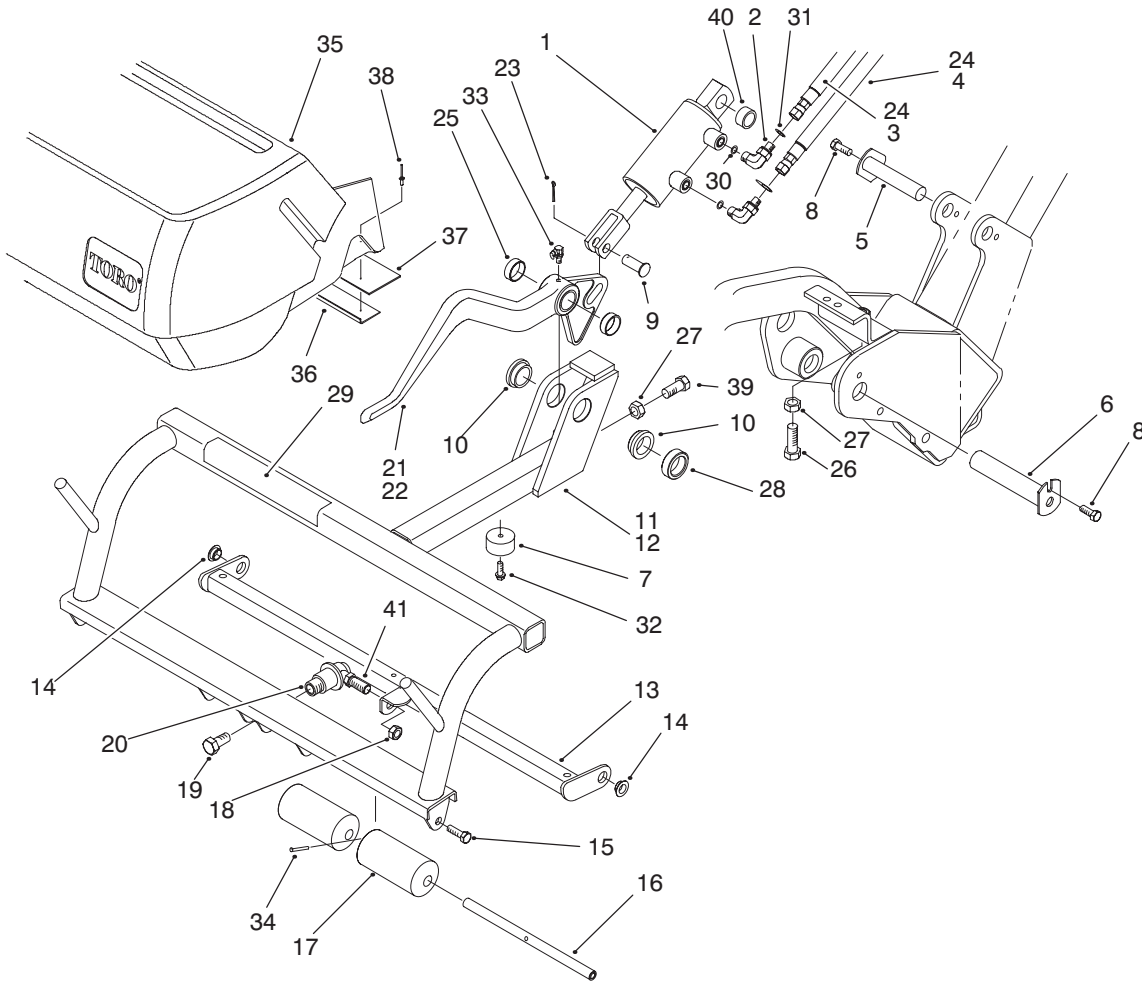
T-1872-1

REEL MOTOR ASSEMBLY NO. 93-1375

Ref. No.	Part No.	Description	No. Used
1	354-50	Screw-Hex Socket Hd.	4
2	354-51	Washer	4
3	353-599	Pin-Dowel	2
4	93-3614	Assembly - Cover (Incl. Ref. #5)	1
†5		Bearing-Needle	5
6	93-3616	Assembly - Idler Gear	1
7	93-3615	Assembly - Drive Shaft	1
8	354-46	Ring-Seal	1

Ref. No.	Part No.	Description	No. Used
9	74-3810	Assembly - Load Plate	1
10	92-8795	Assembly - Body (Incl. Ref. #5)	1
†11		Spacer	1
†12		Seal-Shaft	1
13	32151-41	Ring - Retaining	1
14	92-8796	Pin - Dowel	2
*	92-8863	Repair Kit (Incl. Ref. #8, & 11-13)	1

*Not Illustrated
†Not Serviced Separately



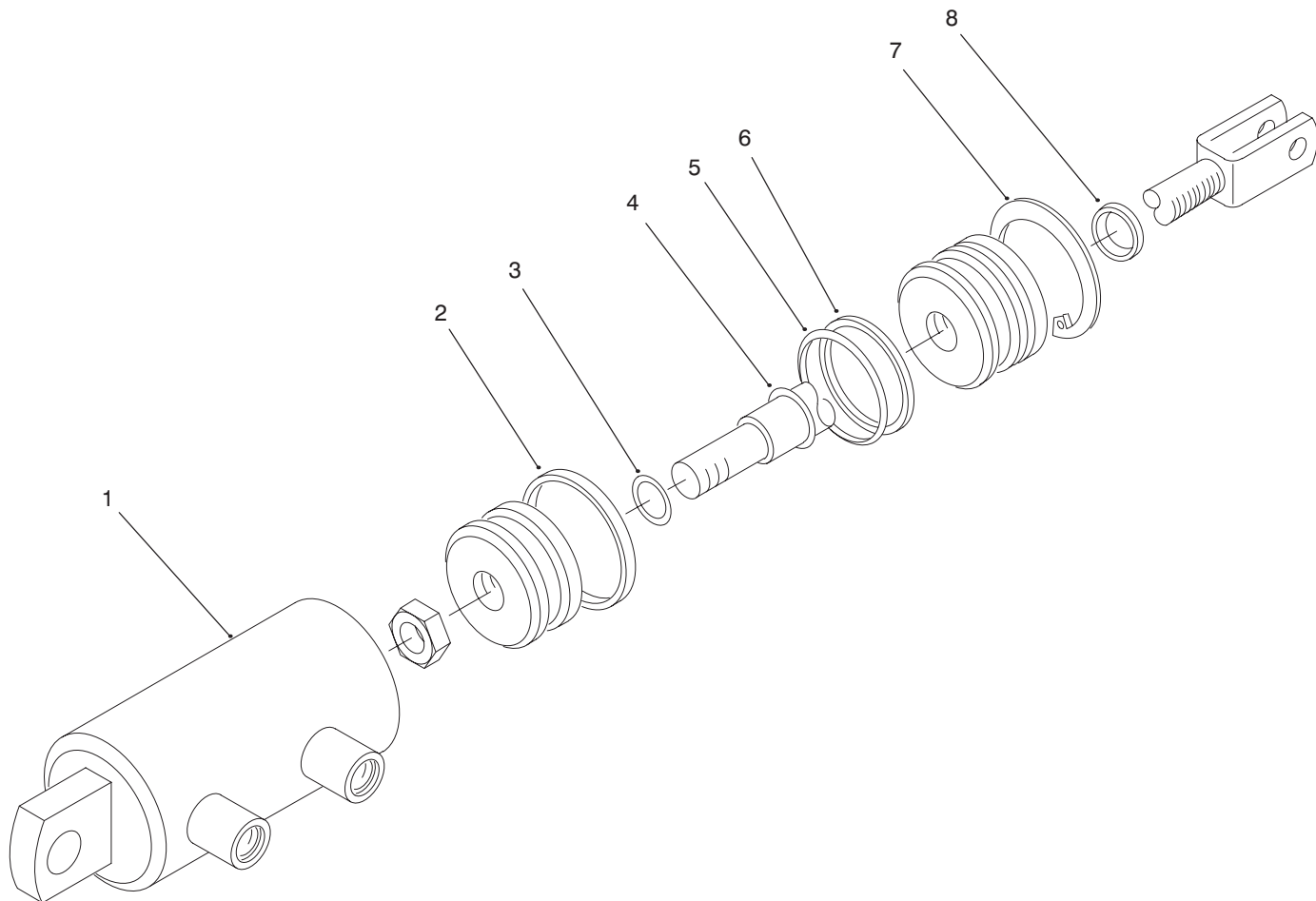
T-2230-3

PULL FRAME ASSEMBLY – R.H. & L.H.

Ref. No.	Part No.	Description	No. Used
1	93-2246	Hydraulic Cylinder Assembly	2
2	340-132	Fitting – Hydraulic 90° (Incl. Ref. #30-31)	4
3	93-2255	Hose Assembly	1
4	93-2256	Hose Assembly	1
5	10-6060	Pin – Ram Pivot	2
6	94-8198	Carrier Pin Assembly	2
7	94-4548	Bumper	2
8	32144-14	Screw – HH	4
9	283-8	Pin – Clevis	2
10	94-9610	Bushing – Flange	4
11	94-9625	Carrier – RH (Incl. Ref. #10 & 29)	1
12	94-9624	Carrier – LH (Incl. Ref. #10 & 29)	1
13	94-3483	Pull Arm	2
14	93-2368	Bushing – Flange	4
15	3211-2	Screw – HH	8
16	93-2363	Shaft – Roller	8
17	93-2362	Roller – Anti Scalp	8
18	3296-19	Nut – Lock	2
19	3213-1	Screw – HH	2
20	94-9647	Ball Joint (Incl. Ref. #41)	2

Ref. No.	Part No.	Description	No. Used
21	93-2405	Lift Arm – RH	1
22	93-2407	Lift Arm – LH	1
23	3272-11	Pin – Cotter	2
24	93-2254	Hose Assembly	2
25	92-8995	Bushing – Straight	4
26	325-6	Screw – HH	2
27	3218-5	Nut – Jam	4
28	93-2384	Spacer – Carrier	2
29	93-8064	Decal – Warning	2
30	237-78	O-Ring	4
31	237-21	O-Ring	4
32	32144-44	Screw – HWH	2
33	302-60	Fitting – Grease 90°	2
34	32121-6	Pin – Roll	4
35	94-8172	Grass Basket Assembly (Incl. Ref. #36-38)	2
36	95-2903	Angle – Basket Seal	2
37	93-2551	Seal – Basket	2
38	3290-382	Rivet – Pop	16
39	325-4	Screw – HH	2
40	74-3730	Spacer	2
41	94-9648	Ball Stud	2
*	65-8320	Bar – Guage	1

* Not Illustrated.



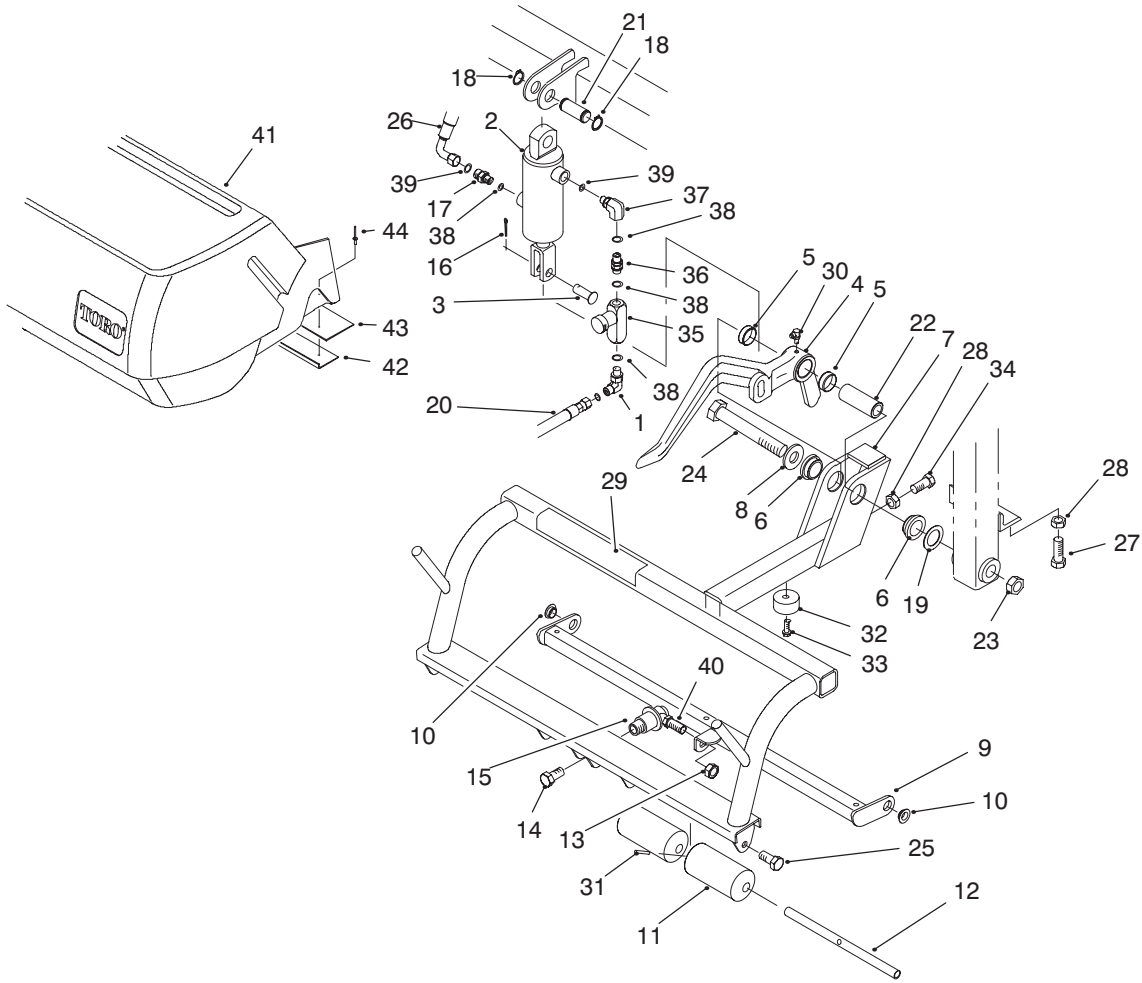
T-2299-1

HYDRAULIC CYLINDER NO. 93-2246

Ref. No.	Part No.	Description	No. Used
†1		Barrel	1
†2		Uniring	1
†3		O-Ring	1
†4		Seal - PDF	1
†5		O-Ring	1

Ref. No.	Part No.	Description	No. Used
†6		Washer - Back-Up	1
7	32120-8	Ring - Retaining	1
†8		Seal - Dust	1
*	86-5390	Kit - Seal, Repair (Incl. Ref. #2-6 & 8)	1

†Not Serviced Separately

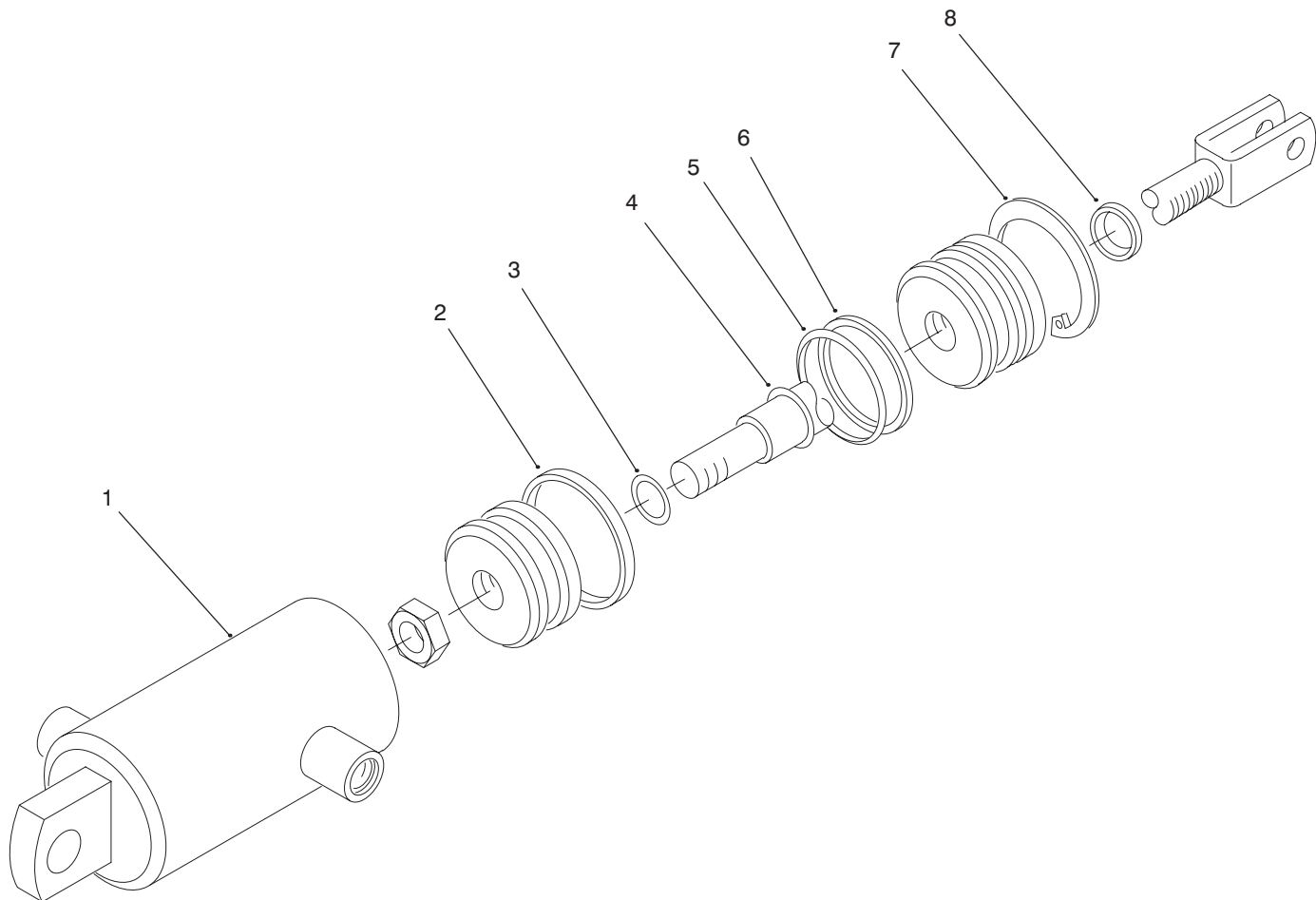


T-2231-3

PULL FRAME ASSEMBLY – REAR

Ref. No.	Part No.	Description	No. Used
1	340-132	Fitting – Hydraulic 90° (Incl. Ref. #38-39)	1
2	94-6357	Hydraulic Cylinder Assembly	1
3	283-8	Pin – Clevis	1
4	93-2403	Lift Arm – Center	1
5	92-8995	Bushing – Straight	2
6	94-9610	Bushing – Flange	2
7	94-9626	Center Carrier Assembly (Incl. Ref. #6 & 29)	1
8	3256-7	Washer – Flat	1
9	94-3483	Pull Arm	1
10	93-2368	Bushing – Flange	2
11	93-2362	Roller – Anti Scalp	4
12	93-2363	Shaft – Roller	2
13	3296-19	Nut – Lock	1
14	3213-1	Screw – HH	1
15	94-9647	Ball Joint (Incl. Ref. #40)	1
16	3272-11	Pin – Cotter	1
17	95-1639	Fitting – Hydraulic (Incl. Ref. #38-39)	1
18	32120-72	Ring – Retaining, Ext.	2
19	63-2290	Washer – Thrust	1
20	93-2258	Hose Assembly	1
21	94-3452	Pin – Cylinder	1
22	94-8199	Tube – Pivot	1

Ref. No.	Part No.	Description	No. Used
23	3296-53	Nut – Hex	1
24	327-17	Screw – HH	1
25	3211-2	Screw – HH	4
26	94-3477	Hose Assembly	1
27	325-6	Screw – HH	1
28	3218-5	Nut – Jam	2
29	93-8064	Decal – Warning	1
30	302-60	Fitting – Grease 90°	1
31	32121-6	Pin – Roll	2
32	94-4548	Bumper	1
33	32144-44	Screw – HWH	1
34	325-4	Screw – HH	1
35	93-7489	Valve – Flow Control	1
36	94-8043	Fitting – Hydraulic Union (Incl. Ref. #38)	1
37	94-8044	Fitting – Hydraulic 90° (Incl. Ref. #38)	1
38	237-78	O-Ring	2
39	237-21	O-Ring	2
40	94-9648	Ball Stud	1
41	94-8172	Grass Basket Assembly (Incl. Ref. #42-44)	1
42	95-2903	Angle – Basket Seal	1
43	93-2551	Seal – Basket	1
34	3290-382	Rivet – Pop	8



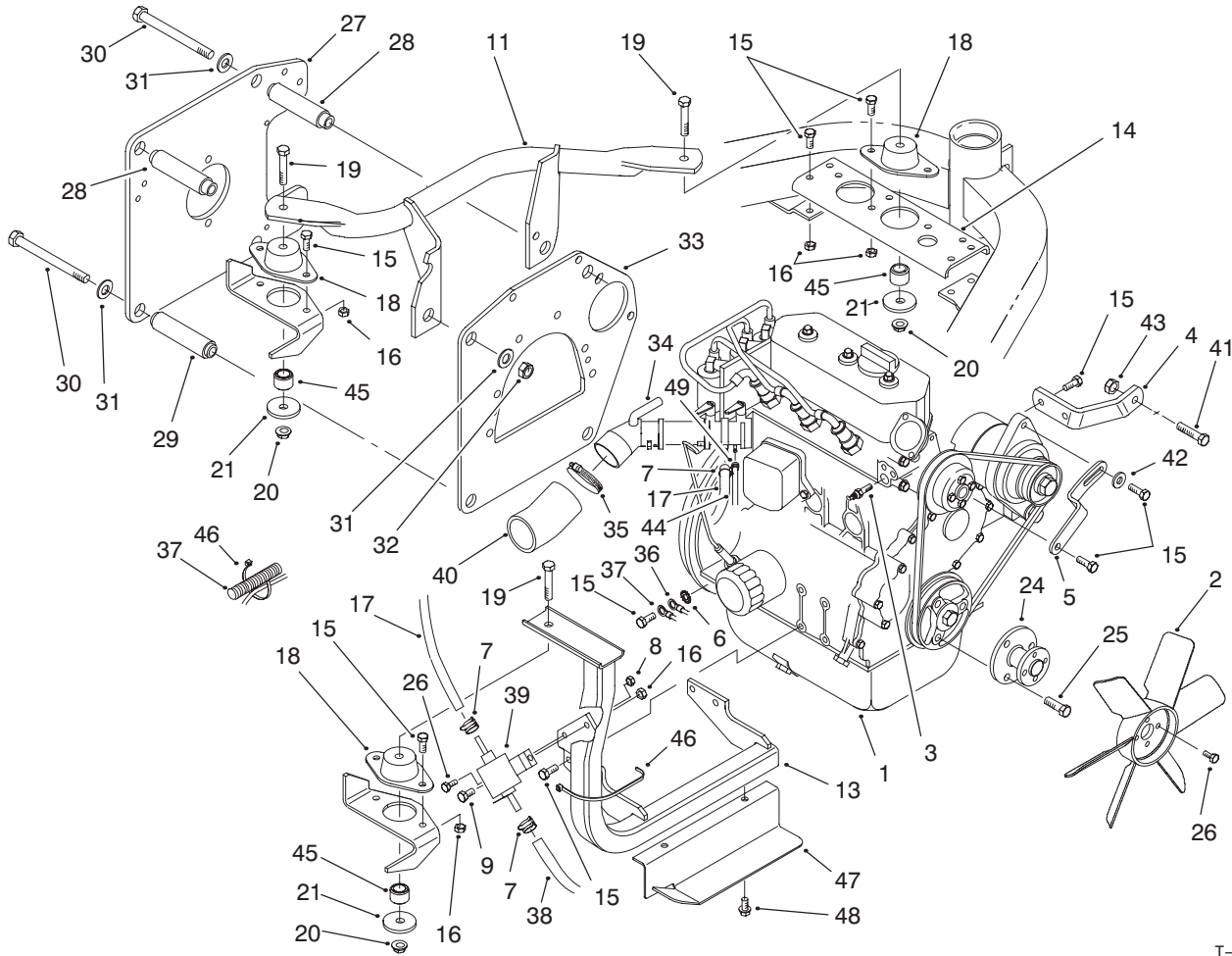
T-2358-1

HYDRAULIC CYLINDER NO. 94-6357

Ref. No.	Part No.	Description	No. Used
†1		Barrel	1
†2		Uniring	1
†3		O-Ring	1
†4		Seal - PDF	1
†5		O-Ring	1

Ref. No.	Part No.	Description	No. Used
†6		Washer - Back-Up	1
7	32120-8	Ring - Retaining	1
†8		Seal - Dust	1
*	86-5390	Kit - Seal, Repair (Incl. Ref. #2-6 & 8)	1

† Not Serviced Separately

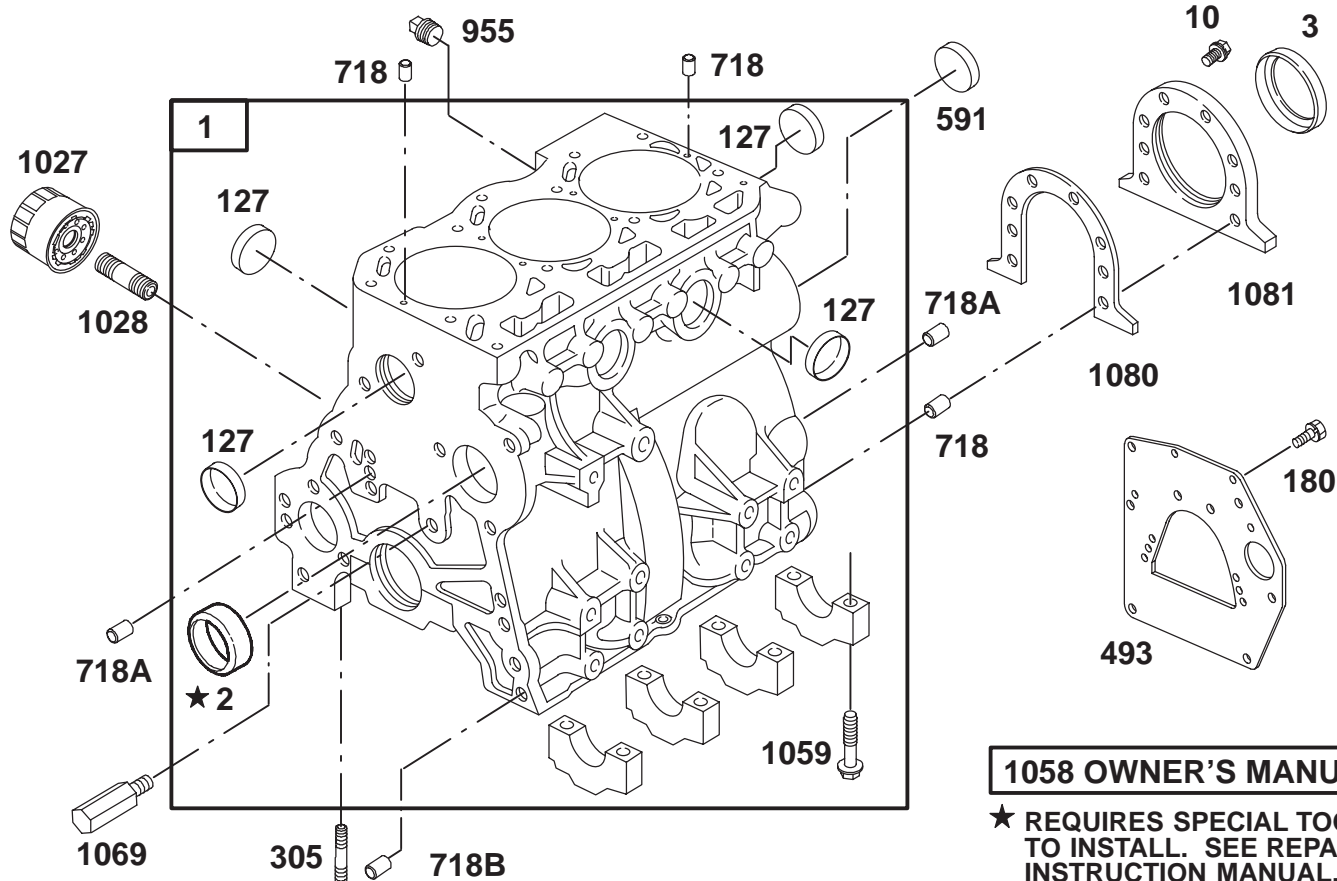


T-2236-3

ENGINE INSTALLATION ASSEMBLY

Ref. No.	Part No.	Description	No. Used
1	93-2200	Engine - Daihatsu (Incl. Ref. #2-5, 33-34 & 39)	1
2	93-2090	Fan - Engine	1
3	94-3457	Sender - Temperature	1
4	93-2445	Bracket - Alternator, Lower	1
5	93-2446	Bracket - Alternator, Upper	1
6	3254-2	Washer - Lock, Int	1
7	2412-98	Clamp - Hose	3
8	33023-00	Nut - Lock NI	1
9	33114-016	Screw - HH	1
11	93-2210	Engine Mount - Rear	1
13	93-2205	Engine Mount - Front	1
14	93-2020	Bracket - Support	1
15	33114-020	Screw - HHF	19
16	33024-00	Nut - Lock NI	11
17	93-2229	Hose - Fuel	1
18	83-1030	Mount - Engine	3
19	323-11	Screw - HH	3
20	3290-357	Nut - Flange	3
21	41-4430	Plate - Washer	3
24	93-2153	Adapter - Fan	1
25	70-8470	Screw	3
26	33113-016	Screw - HH	5

Ref. No.	Part No.	Description	No. Used
27	93-2173	Plate - Pump	1
28	93-2588	Spacer - Upper	2
29	93-2174	Spacer - Lower	2
30	33116-130	Screw - HH	4
31	3256-26	Washer - Flat	8
32	33026-00	Nut - Lock NI	4
33		Plate - Backing	1
34		Adapter - Carburetor	1
35	2412-92	Clamp - Hose	1
36	93-2344	Cable - Battery, Negative	1
37	93-2349	Harness - Wire	1
38	93-2228	Hose - Fuel	1
39		Pump - Fuel	1
40	93-2194	Hose - Air Cleaner	1
41	33115-050	Screw - HH	1
42	3256-3	Washer - Flat	1
43	33025-00	Nut - Lock	1
44	70-1910	Hose - Fuel	1
45	94-4538	Spacer - Mount	3
46	3290-378	Tie - Cable	2
47	94-8156	Shield - Dust	1
48	32144-14	Screw - HWH	2
49	94-8188	Clamp - Hose	1



Assemblies include all parts shown in frames.

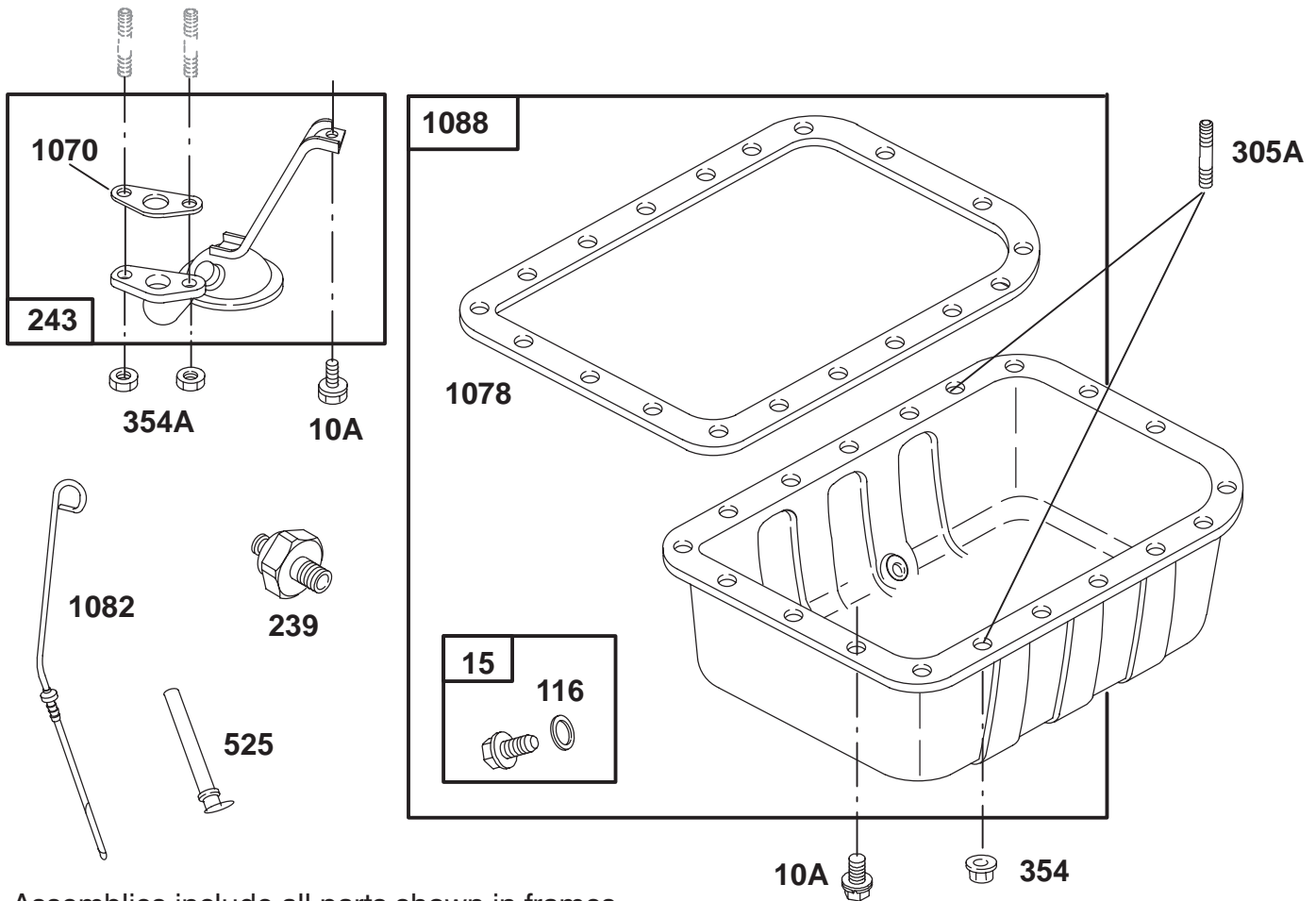
ENGINE BRIGGS & STRATTON MODEL 433447-0115-A1

Ref. No.	Part No.	Description	No. Used
1	825027	Cylinder Assembly	1
2	820129	Bushing	1
3	820056	Seal-Oil	1
10	820031	Screw-Hex.	6
127	820004	Plug-Welch	7
180	820176	Screw-Hex.	3
305	820016	Stud-Std.	1
493	820283	Bracket-Mounting	1
591	820151	Plug-Camshaft	1
718	820063	Pin-Locating	4

Ref. No.	Part No.	Description	No. Used
718A	820062	Pin-Locating	3
718B	820061	Pin-Locating	2
955	820051	Plug	1
1027	491056	Filter-Oil	1
1028	820050	Adapter-Oil Filter	1
1058	820154	Owner's Manual	1
1059	820042	Screw-Hex.	8
1069	820102	Nozzle-Oil	1
†1080	820145	Gasket-Retainer	1
1081	820146	Retainer-Sea	1

NOTE: Obtain replacement parts from your local Briggs & Stratton Dealer.

† Included in Gasket Set - Part No. 825056.



Assemblies include all parts shown in frames.

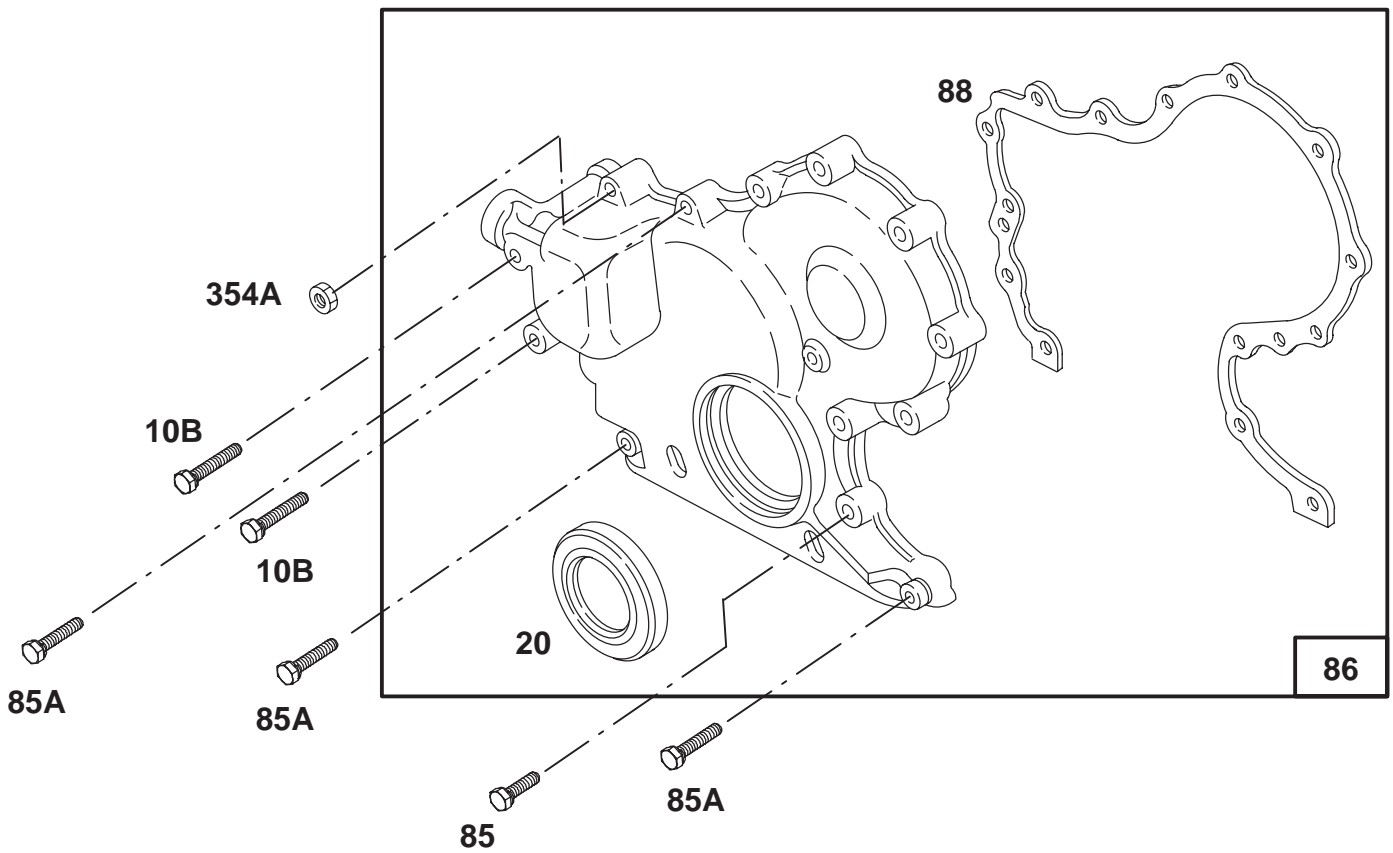
ENGINE BRIGGS & STRATTON MODEL 433447-0115-A1

Ref. No.	Part No.	Description	No. Used
10A	820034	Screw—Hex.	17
15	825043	Plug—Oil Drain	1
†116	820049	Washer	1
239	825000	Switch—Oil Pressure	1
243	825089	Screen—Oil Pump	1
305A	820017	Stud—Std.	2
354	820068	Nut—Hex.	2

Ref. No.	Part No.	Description	No. Used
354A	820069	Nut—Hex.	2
525	820144	Adaptor—Oil Fill	1
†1070	820104	Gasket—Oil Strainer	1
†1078	820137	Gasket—Oil Pan	1
1082	820237	Dipstick	1
1088	825049	Pan—Oil	1

NOTE: Obtain replacement parts from your local Briggs & Stratton Dealer.

† Included in Gasket Set — Part No. 825056.



Assemblies include all parts shown in frames.

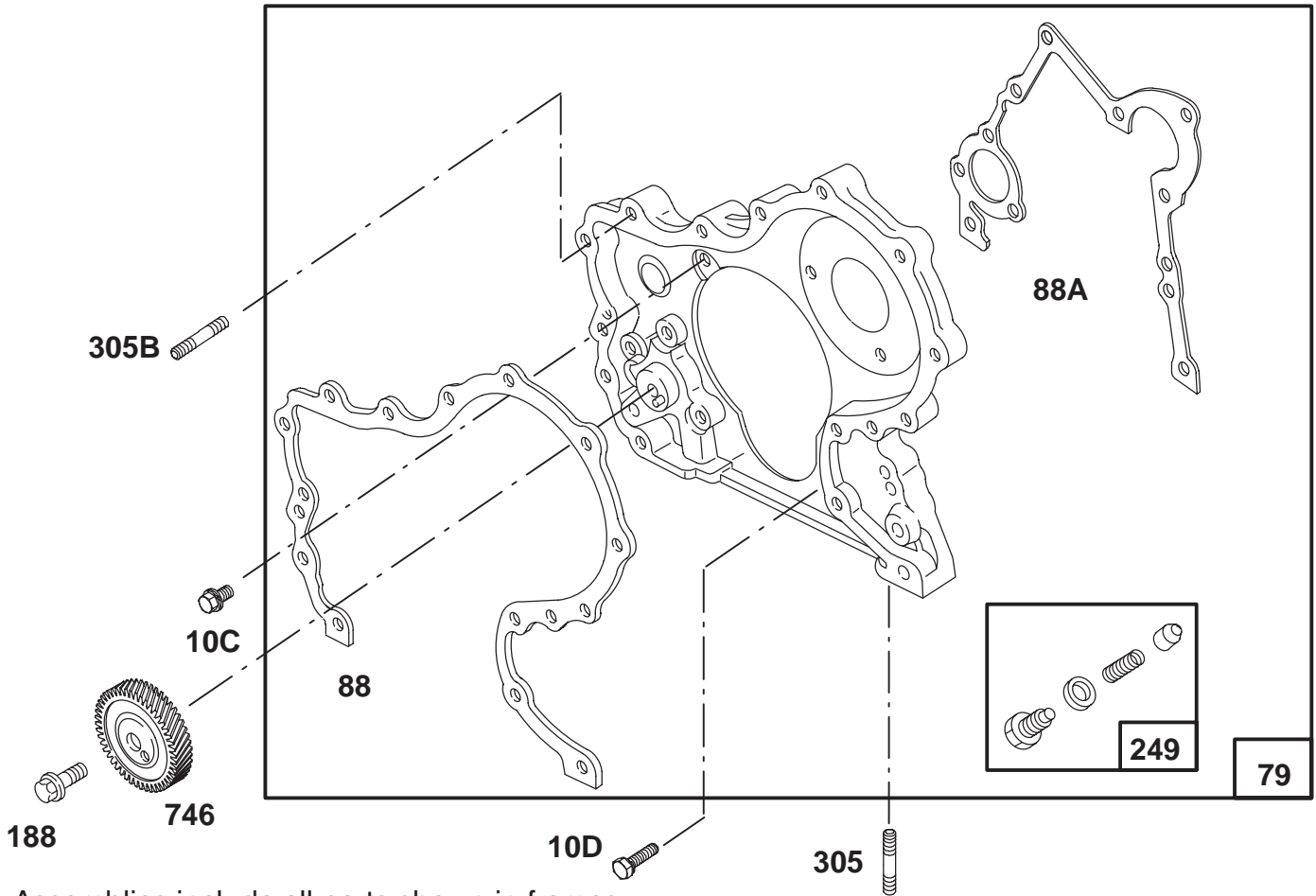
ENGINE BRIGGS & STRATTON MODEL 433447-0115-A1

Ref. No.	Part No.	Description	No. Used
10B	820026	Screw—Hex.	2
†20	820055	Seal—Oil	1
85	820029	Screw—Hex.	6
85A	820027	Screw—Hex.	3

Ref. No.	Part No.	Description	No. Used
86	825119	Cover Assy.—Gear	1
†88	820148	Gasket—Cover	1
354A	820069	Nut—Hex.	2

NOTE: Obtain replacement parts from your local Briggs & Stratton Dealer.

† Included in Gasket Set — Part No. 825056.



Assemblies include all parts shown in frames.

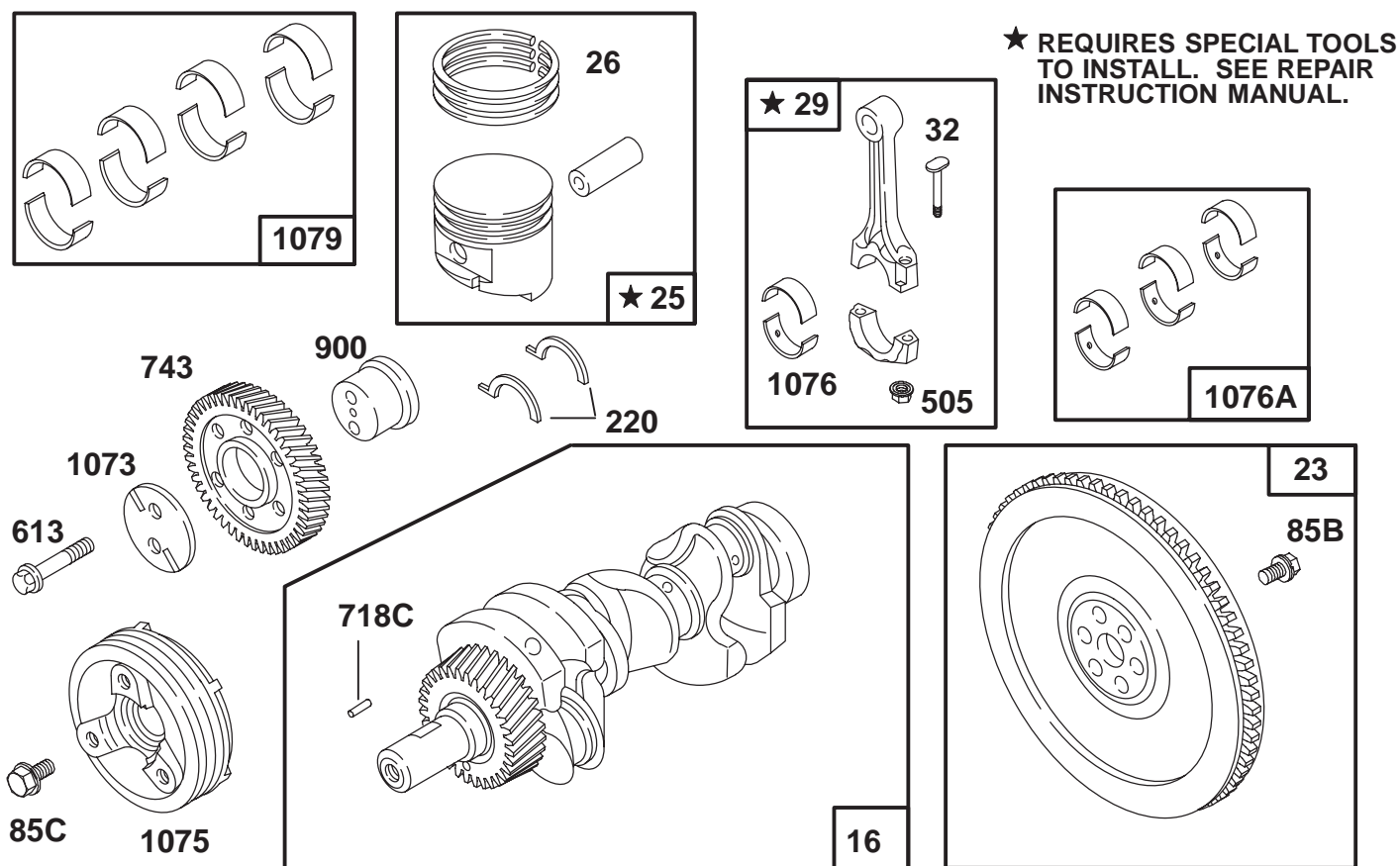
ENGINE BRIGGS & STRATTON MODEL 433447-0115-A1

Ref. No.	Part No.	Description	No. Used
10C	820033	Screw—Hex.	1
10D	820030	Screw—Hex.	4
79	825120	Case Assembly—Gear	1
†88	820148	Gasket—Cover	1
†88A	820155	Gasket—Cover	1

Ref. No.	Part No.	Description	No. Used
188	820180	Screw—Hex.	1
249	825032	Valve—Oil Relief	1
305	820016	Stud—Std.	1
305B	820156	Stud—Mtg. Assembly	2
746	820121	Gear—Drive	1

NOTE: Obtain replacement parts from your local Briggs & Stratton Dealer.

† Included in Gasket Set — Part No. 825056.

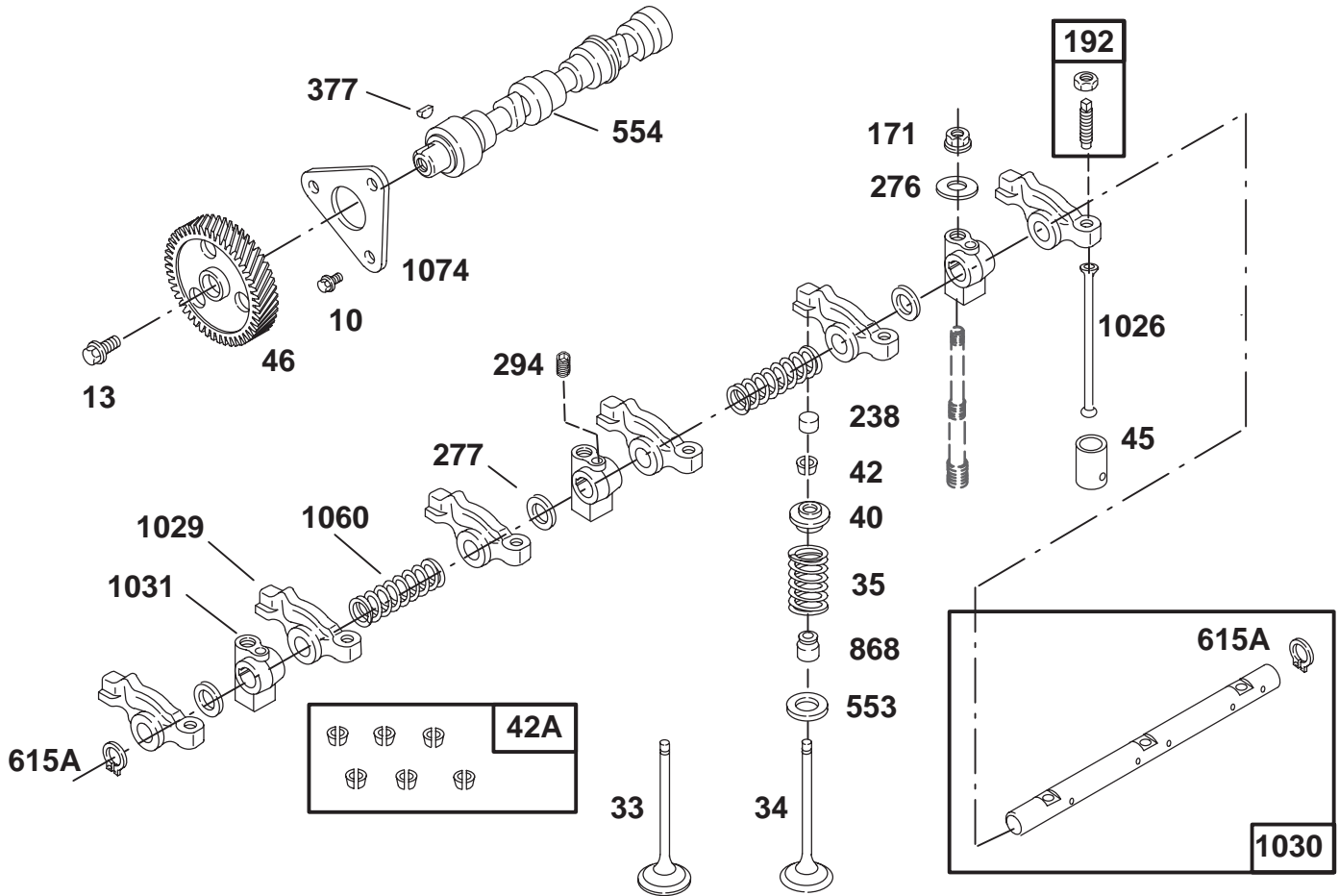


Assemblies include all parts shown in frames.

ENGINE BRIGGS & STRATTON MODEL 433447-0115-A1

Ref. No.	Part No.	Description	No. Used	Ref. No.	Part No.	Description	No. Used
16	825016	Crankshaft	1	505	820073	Nut-Hex.	6
23	825090	Flywheel	1	613	820081	Screw-Hex.	2
25	825038	Piston Assembly (Standard)	3	718C	820059	Pin-Locating	1
*	825018	Piston Assembly (.010" Oversize)	3	743	825013	Gear-Drive	1
26	825091	Ring Set (Standard)	3	900	820116	Shaft-Gear	1
*	825092	Ring Set (.010" Oversize)	3	1073	820117	Plate-Idler Gear	1
29	825033	Rod-Connecting	3	1075	820123	Pulley-Crankshaft	1
32	820128	Screw-Hex.	6	1076	820142	Bearing-Rod (Standard)	3
85B	820080	Screw-Hex.	6	1076A	825019	Bearing Engine Set-Rod (Standard)	1
85C	820079	Screw-Hex.	1	*	825060	Bearing Engine Set-Rod (.010" Undersize)	1
220	820140	Washer-Thrust (Standard) 820139 Washer-Thrust (.005" Oversize)	1	1079	825040	Bearing Set-Main (Standard)	1
				*	825039	Bearing Set- Main (.010" Undersize)	1

NOTE: Obtain replacement parts from your local Briggs & Stratton Dealer.



Assemblies include all parts shown in frames.

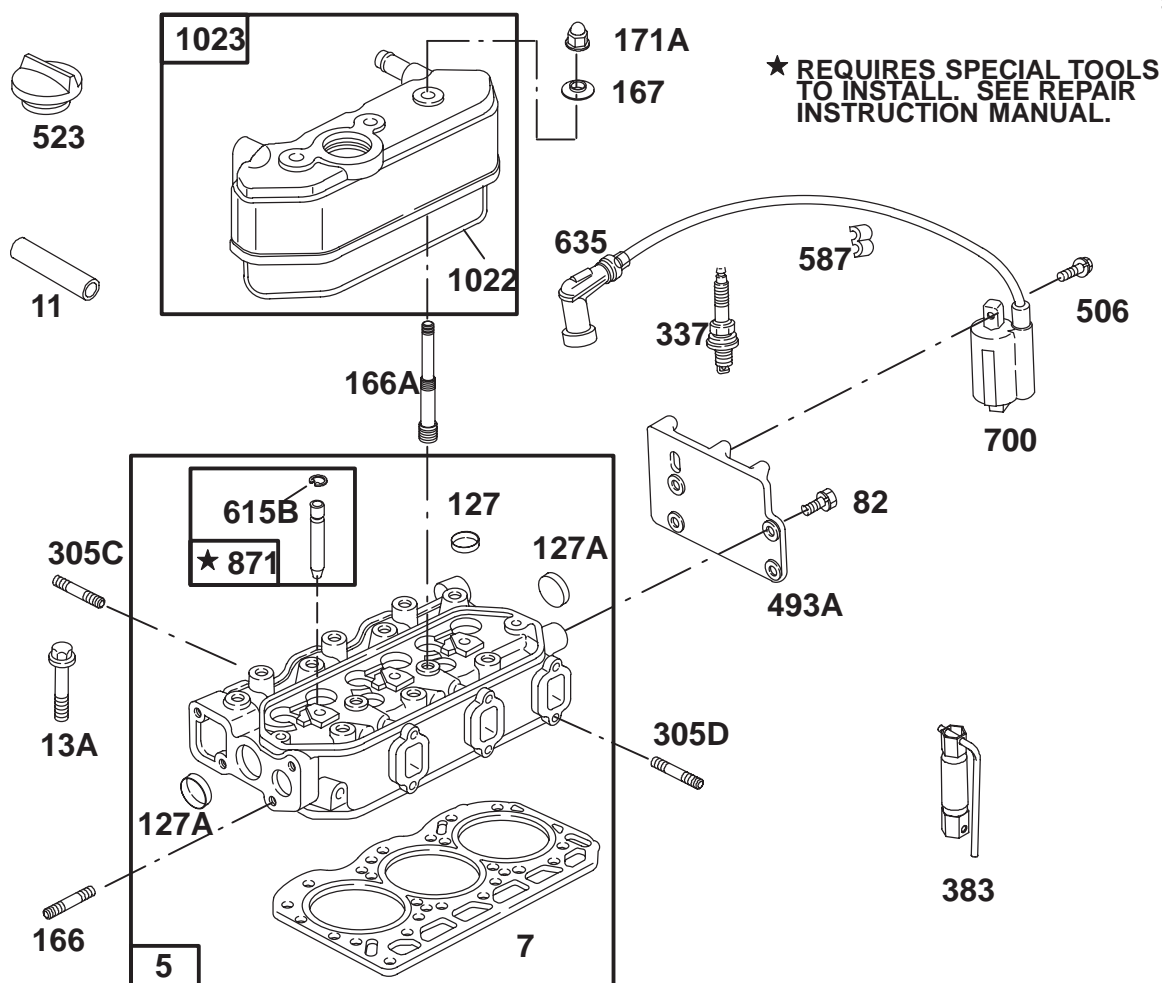
ENGINE BRIGGS & STRATTON MODEL 433447-0115-A1

Ref. No.	Part No.	Description	No. Used
10	820031	Screw—Hex.	3
13	820075	Screw—Hex.	1
33	820114	Valve—Exhaust	3
34	820115	Valve—Intake	3
35	820043	Spring—Valve	6
40	820111	Retainer—Valve	6
42	825042	Valve Keeper Set	6
42A	825082	Valve Keeper Engine Set (Contains 6 Sets)	1
45	820110	Tappet—Valve	6
46	820119	Gear—Cam	1
171	820070	Nut—Hex.	3
192	825041	Nut—Rocker Arm	6
238	820113	Cap—Valve	6
276	820177	Washer	3
277	820065	Washer	3
294	820105	Screw—Socket	1
377	94196	Key—Woodruff	1
553	820112	Seat—Valve Spring	6

Ref. No.	Part No.	Description	No. Used
554	820388	Shaft — Cam (Used after code date 96011800)	1
*	820122	Shaft—Cam (Used before code date 96011900)	1
615A	820003	Retainer	2
868	820041	Seal—Valve	6
1026	820109	Rod—Push	6
1029	820387	Arm — Rocker (Used after code date 96011800)	6
*	820107	Arm — Rocker (Used before code date 96011900)	6
1030	825093	Shaft—Rocker Arm	1
1031	820106	Support—Rocker Arm	3
1060	820044	Spring—Rocker Shaft	2
1074	820118	Retainer—Camshaft	1

NOTE: Obtain replacement parts from your local Briggs & Stratton Dealer.

*Not Illustrated



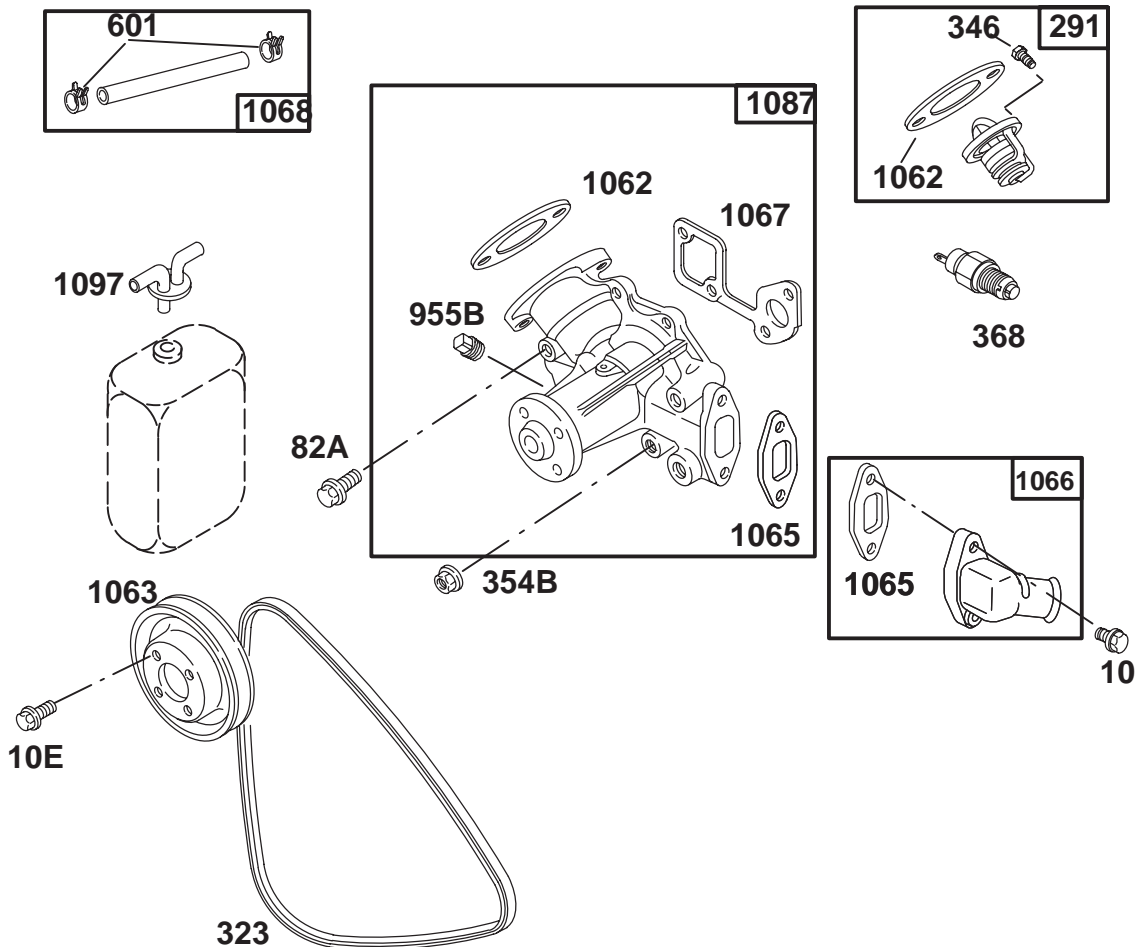
ENGINE BRIGGS & STRATTON MODEL 433447-0115-A1

Ref. No.	Part No.	Description	No. Used	Ref. No.	Part No.	Description	No. Used
5	825047	Head—Cylinder	1	337	491055	Plug—Spark	3
†‡7	820153	Gasket—Cylinder Head	1	383	89838	Wrench—Spark Plug	1
11	820048	Tube—Breather	1	493A	820083	Bracket—Mounting	1
13A	820074	Screw—Hex.	14	506	820012	Screw—Hex.	6
82	820024	Screw—Hex.	4	523	825024	Cap—Oil Fill	1
127	820004	Plug—Welch	2	587	820046	Clamp	2
127A	820005	Plug—Welch	2	615B	820130	Retainer	6
166	820078	Stud—Mtg.	2	635	820084	Boot—Spark Plug	3
166A	820076	Stud—Std.	3	700	820037	Coil—Ignition	3
†‡167	820064	Washer	3	871	825030	Bushing—Guide	6
171A	820071	Nut	3	†‡1022	820150	Gasket—Rocker Cover	1
305C	820015	Stud—Std.	2	1023	825088	Cover—Rocker	1
305D	820014	Stud—Mtg.	6				

NOTE: Obtain replacement parts from your local Briggs & Stratton Dealer.

† Included in Gasket Set — Part No. 825056.

‡ Included in Valve Overhaul Kit — Part No. 825057.



Assemblies include all parts shown in frames.

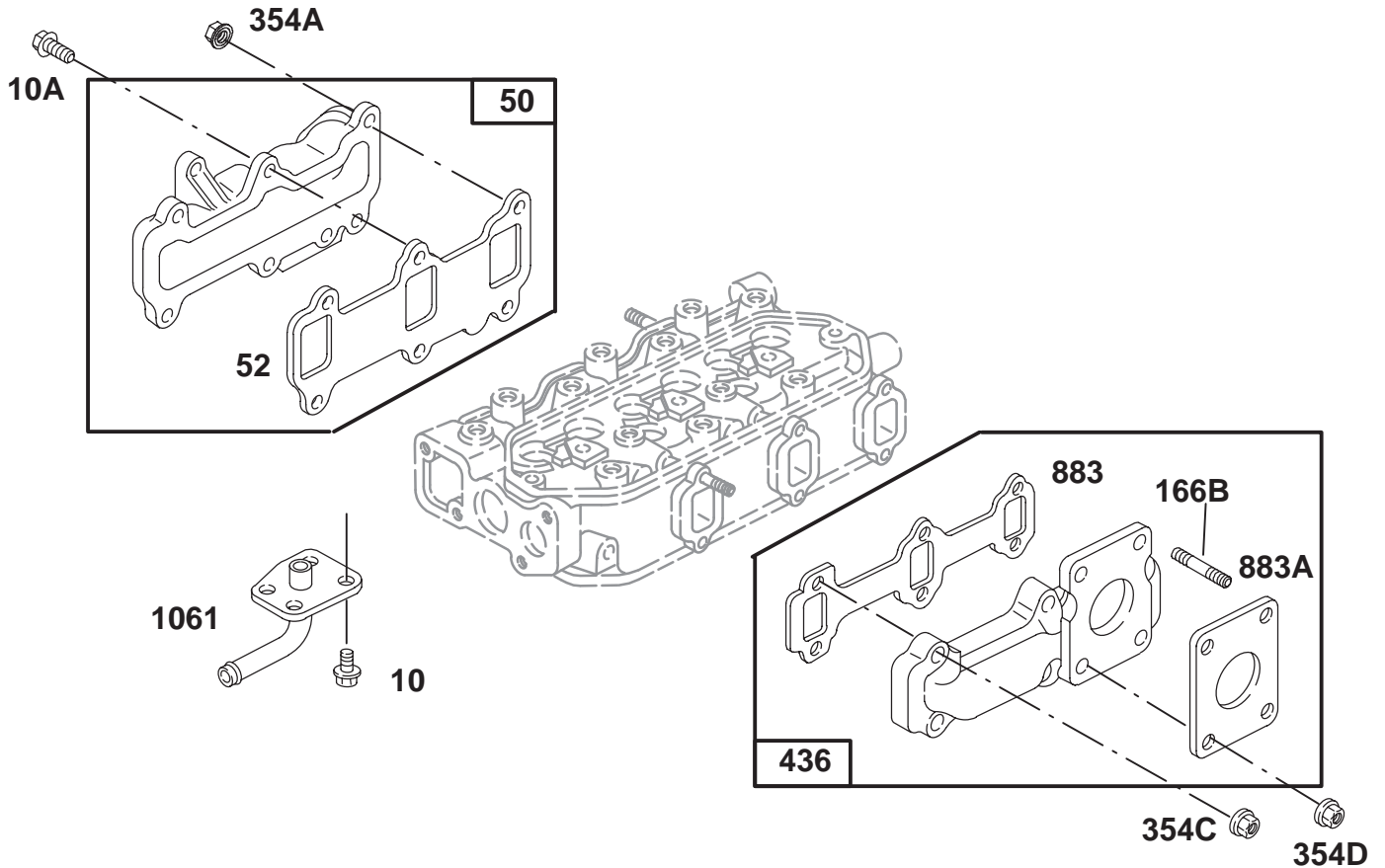
ENGINE BRIGGS & STRATTON MODEL 433447-0115-A1

Ref. No.	Part No.	Description	No. Used
10	820031	Screw-Hex.	2
10E	820203	Screw-Hex.	4
82A	820022	Screw-Hex.	2
291	825064	Thermostat	1
323	820288	Belt-Vee	1
346	820185	Screw-Hex.	1
354B	820181	Nut-Hex.	2
368	820208	Switch Water Temp.	1
601	820045	Clamp-Hose	2

Ref. No.	Part No.	Description	No. Used
955B	820182	Plug	1
†1062	820093	Gasket-Outlet	1
1063	820095	Pulley-Pump	1
†1065	820098	Gasket-Inlet Hsg.	1
1066	825051	Housing-Inlet	1
†1067	820100	Gasket-Water Pump	1
1068	825045	Hose	1
1087	825050	Pump-Water	1
1097	820287	Cap - Surge Tank	1

NOTE: Obtain replacement parts from your local Briggs & Stratton Dealer.

† Included in Gasket Set - Part No. 825056.



Assemblies include all parts shown in frames.

ENGINE BRIGGS & STRATTON MODEL 433447-0115-A1

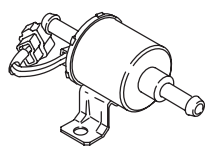
Ref. No.	Part No.	Description	No. Used
10	820031	Screw-Hex.	4
10A	820034	Screw-Hex.	4
50	825053	Manifold-Intake	1
†‡52	820087	Gasket-Intake	1
166B	820183	Stud-Std.	4
354A	820069	Nut-Hex.	2

Ref. No.	Part No.	Description	No. Used
354C	820010	Nut-Hex.	6
354D	820178	Nut-Hex.	4
436	825055	Manifold-Exhaust	1
†‡883	820088	Gasket-Exhaust	1
†883A	820085	Gasket-Exhaust	1
1061	820090	Cover-Outlet	1

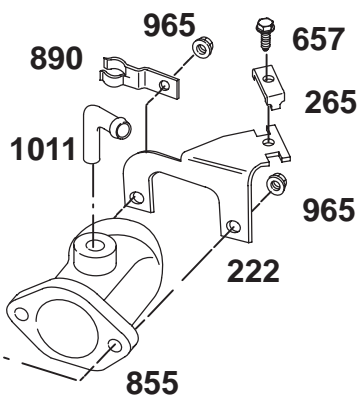
NOTE: Obtain replacement parts from your local Briggs & Stratton Dealer.

† Included in Gasket Set - Part No. 825056.

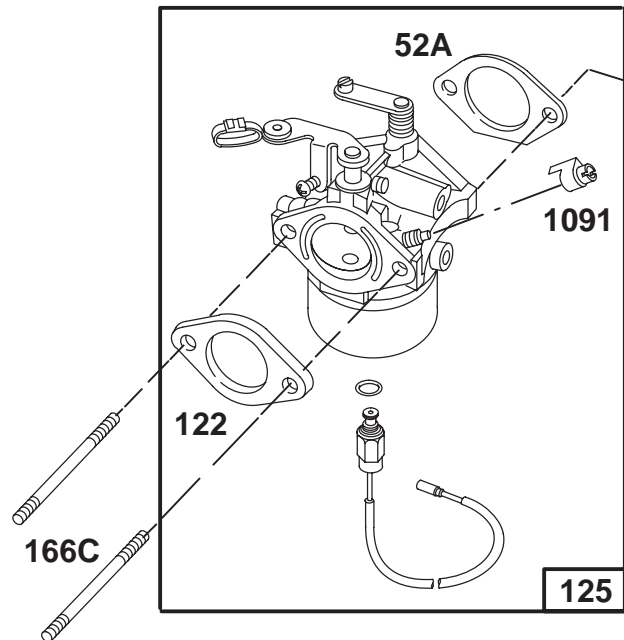
‡ Included in Valve Overhaul Kit - Part No. 825057.



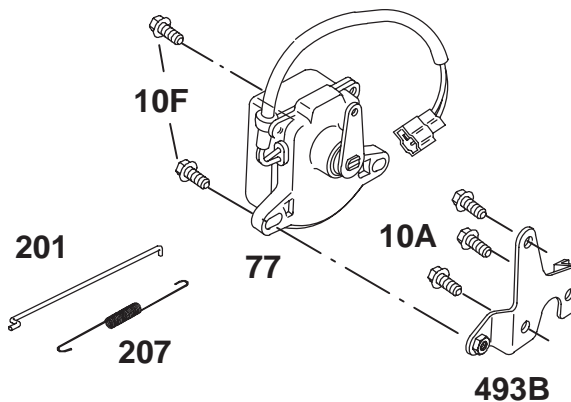
387



855



125



493B

Assemblies include all parts shown in frames.

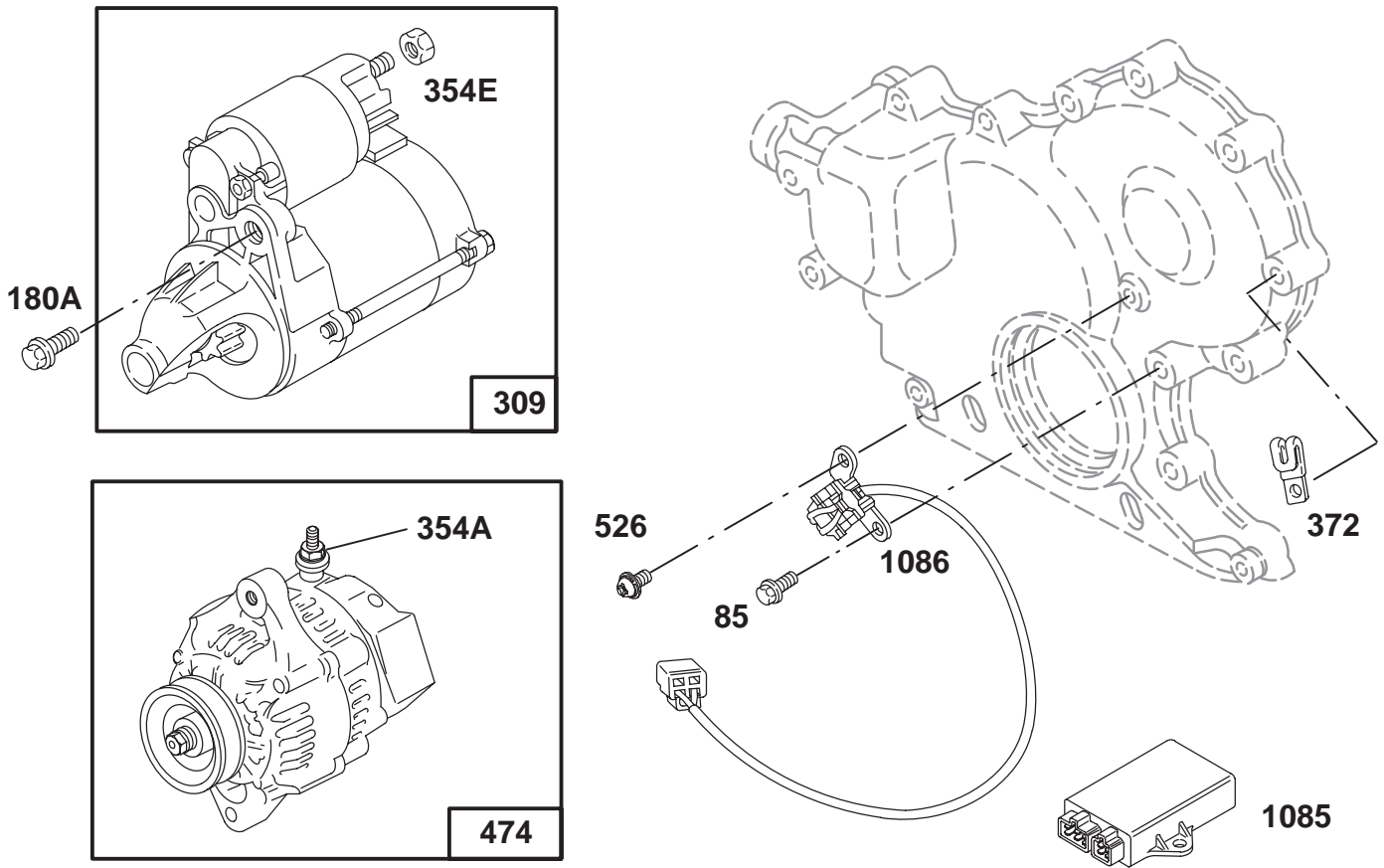
ENGINE BRIGGS & STRATTON MODEL 433447-0115-A1

Ref. No.	Part No.	Description	No. Used
10A	820034	Screw-Hex.	3
10F	820228	Screw-Hex.	2
†52A	820160	Gasket-Intake	1
†77	820209	Governor-Electronic	1
122	820082	Spacer	1
125	825121	Carburetor	1
166C	820077	Stud (Carburetor Mounting)	2
201	820226	Link	1
207	820227	Spring-Control Rod	1

Ref. No.	Part No.	Description	No. Used
222	820224	Bracket-Control	1
265	221535	Clamp-Casing	1
493B	820223	Bracket-Mounting	1
657	805169	Screw-Phillips	1
387	825005	Pump-Fuel	1
855	820284	Adaptor-Air	1
890	820238	Bracket-Support	1
965	820011	Nut-Hex.	2
1011	820184	Tube-Vent	1
1091	805858	Cap - Limiter	1

NOTE: Obtain replacement parts from your local Briggs & Stratton Dealer.

† Included in Gasket Set - Part No. 825056.



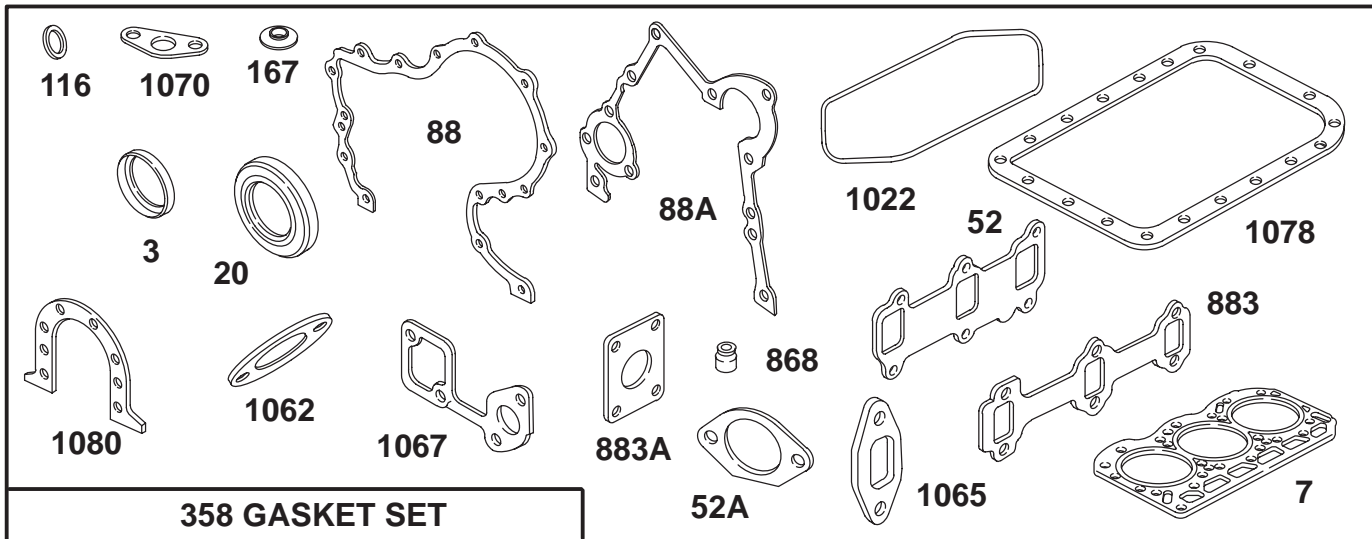
Assemblies include all parts shown in frames.

ENGINE BRIGGS & STRATTON MODEL 433447-0115-A1

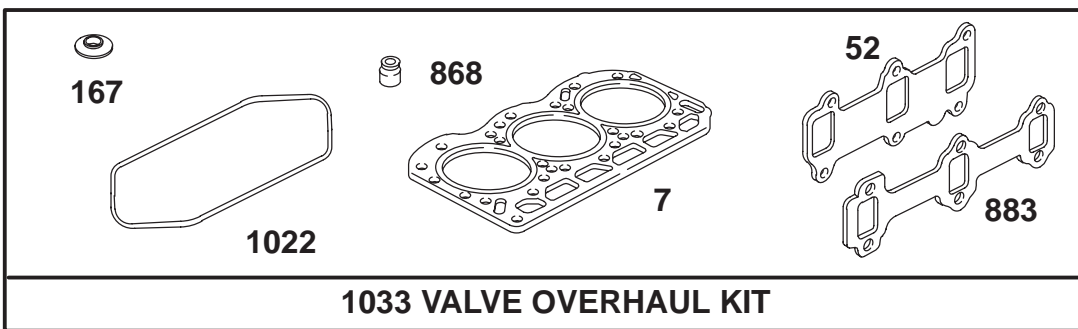
Ref. No.	Part No.	Description	No. Used
85	820029	Screw—Hex.	1
180A	820019	Screw—Hex.	2
309	825095	Motor—Starter	1
354A	820069	Nut—Hex.	1
354E	820067	Nut—Hex.	1

Ref. No.	Part No.	Description	No. Used
372	820047	Clamp	1
474	825084	Alternator	1
526	820013	Screw—Phillips	1
1085	825008	Module—Ignition	1
1086	825009	Trigger—Ignition	1

NOTE: Obtain replacement parts from your local Briggs & Stratton Dealer.



358 GASKET SET



1033 VALVE OVERHAUL KIT

Assemblies include all parts shown in frames.

ENGINE BRIGGS & STRATTON MODEL 433447-0115-A1

Ref. No.	Part No.	Description	No. Used
†3	820056	Seal—Oil	1
†7	820153	Gasket—Cylinder Head	1
†20	820055	Seal—Oil	1
†52	820087	Gasket—Intake	1
†52A	820160	Gasket—Intake	1
†88	820148	Gasket—Cover	1
†88A	820155	Gasket—Cover	1
†116	820049	Washer	1
†167	820064	Washer (Rocker Cover)	1
358	825056	Gasket Set	1
†868	820041	Seal—Valve	1

Ref. No.	Part No.	Description	No. Used
†883	820088	Gasket—Exhaust	1
†883A	820085	Gasket—Exhaust	1
†1022	820150	Gasket—Rocker Cover	1
1033	825057	Kit—Valve Overhaul	1
†1062	820093	Gasket—Outlet	1
†1065	820098	Gasket—Inlet Hsg.	1
†1067	820100	Gasket—Water Pump	1
†1070	820104	Gasket—Oil Strainer	1
†1078	820137	Gasket—Oil Pan	1
†1080	820145	Gasket—Retainer	1

NOTE: Obtain replacement parts from your local Briggs & Stratton Dealer.

† Included in Gasket Set — Part No. 825056.

‡ Included in Valve Overhaul Kit — Part No. 825057.

TORO PART NUMBER INDEX

3319-131

Part No.	Description	Pg. No.	Ref. No.	Qty.	Part No.	Description	Pg. No.	Ref. No.	Qty.
2844	Washer	23	36	3	75-3420	Lever - Control	10	7	1
3-6498	Washer - Thrust	23	12	1	75-5470	Spacer	23	15	1
5-3934	Bolt	7	5	1	75-5470	Spacer	11	17	1
10-6060	Pin - Ram Pivot	28	5	2	75-9440	Hub - Wheel	7	6	1
10-6821	Brake Drum Assembly	3	*	2	76-0810	Housing Assembly	4	*	1
10-6830	Stud - Drive	7	28	4	76-0840	Manifold	4	22	1
10-6850	Drum - Brake	3	3	2	76-0850	Bearing - Thrust	4	12	1
10-6870	Hub - Wheel	3	24	2	76-0860	Shaft - Coupling	4	11	1
17-9420	Screw - Handle	2	18	1	76-0870	Plate - Wear	4	18	1
18-6320	Washer - Steering	7	3	3	76-0880	Commutator Assembly	4	*	1
18-6380	Pin	23	18	1	76-0940	End Cover Assembly	4	24	1
20-7150	Switch - Toggle	18	3	1	76-6070	Rotating Kit Assembly	22	11	1
26-3790	Nut - Lock	3	14	2	76-6080	Seal - Cover	22	5	1
27-2360	Switch - Ignition	10	13	1	76-6090	Cover - Trunnion	22	25	1
27-6600	Spacer - Coupling	20	9	4	76-6100	Cover - Trunnion O-Ring	22	26	1
28-3680	Tire	3	2	2	76-6140	O-Ring	22	27	1
28-3680	Tire	7	7	1	76-6150	Pin - Dowel	22	15	2
33-3720	Washer	22	33	1	76-6160	Screw - Cap	22	23	2
33-3750	Race - Inner	22	28	1	76-6170	Screw - Cap	22	22	2
39-2080	Dump Valve Assembly	22	21	1	76-6180	Washer	22	7	2
41-4430	Plate - Washer	32	21	3	76-6190	Seal - Shaft	22	6	1
42-2720	Seal - Shaft	22	34	1	76-6200	Spring	22	19	2
43-6280	Button - Push	10	22	1	76-8870	Lever Damper Assembly	23	4	1
43-6420	Bezel	10	23	1	77-3780	Asm. - Pin, Lynch	8	9	1
47-2890	Bushing	5	12	2	80-8650	Coupling - Rubber	20	8	1
47-6990	Nut - Steering Wheel	5	6	1	80-9330	Alarm - Audio	18	2	1
48-9510	Nut - Lock	24	24	1	83-0730	Spacer - Lockup	5	8	1
49-6440	Pedal - Accelerator	2	4	1	83-0740	Disc - Friction	5	4	2
56-2230	Hose - Fuel	16	18	1	83-0760	Spacer - Lockup	5	3	1
60-3520	O-Ring	20	2	1	83-1030	Mount - Engine	32	18	3
60-6330	Screw	22	4	4	83-1390	Fitting - Fuel Shutoff	16	9	1
63-2290	Washer - Thrust	30	19	1	83-1420	Steering Column Assembly	5	15	1
63-8360	Key - Ignition	10	6	2	83-1450	Sensor - Oil Level	18	12	1
63-9750	Mount - Rubber	23	35	3	83-1700	Bushing - Flange	1	15	3
65-6390	Washer - Thrust	5	24	1	83-2250	Guage - Sight	18	16	1
65-8320	Bar - Guage	28	*	1	83-2280	Timer - Delay	18	26	1
66-2490	Retainer - Battery	15	7	1	84-2000	Bracket - Brake	3	6	2
66-2750	Battery	15	6	1	85-4491	Lamp - Diagnostic	15	34	1
66-2950	Gauge - Hour Meter	10	4	1	85-6540	Stud - Drive	3	25	8
66-3240	Cap - Radiator	19	34	1	85-9190	Plate - Control	10	10	1
68-3270	Bumper - Rubber	15	28	2	86-5390	Kit - Seal, Repair	29	*	1
68-5130	Wheel - Steering	5	5	1	86-5390	Kit - Seal, Repair	31	*	1
68-5140	Cap - Steering Wheel	5	27	1	88-7200	Washer - Pivot	23	7	1
68-6150	Breather - Air	18	4	1	88-9190	Solenoid - 20 Watt	14	1	4
69-9000	Spacer	26	10	4	92-5720	Controller - Electronic	15	1	1
69-9000	Spacer	25	12	4	92-5753	Clamp - Hose	7	33	1
69-9010	Washer	26	9	8	92-5753	Clamp - Hose, Double	15	26	2
69-9010	Washer	25	11	8	92-5838	Ball Joint	7	10	2
70-1240	Plug Assembly	22	18	2	92-6280	Seat	8	1	1
70-1480	Relay	15	11	1	92-6315	Cartridge - N.C.	14	9	1
70-1910	Hose - Fuel	32	44	1	92-8795	Assembly - Body	27	10	1
70-8470	Screw	32	25	3	92-8796	Pin - Dowel	27	14	2
70-8570	Circuit Breaker - 40 Amp	15	*	2	92-8863	Repair Kit	27	*	1
70-9840	Shoe - Brake	3	27	4	92-8990	Adjuster	8	13	1
70-9850	Clip - Retaining	3	29	2	92-8991	Adjuster w/Latch	8	14	1
70-9860	Cam - Brake	3	26	2	92-8995	Bushing - Straight	30	5	2
70-9870	Plate - Backing	3	28	2	92-8995	Bushing - Straight	28	25	4
70-9880	Spring - Return	3	4	4	92-9199	Hydraulic Motor - Wheel	3	10	2
71-1500	Brake Assembly	3	*	2	92-9761	Link - Drive	4	13	7
72-9760	Switch - Override	10	27	1	92-9762	Screw - Cap Hex. Hd.	4	14	1
73-3540	Washer - Flat	18	43	2	92-9763	Rotor Set	4	*	1
74-0720	Tube - Manual	8	16	1	93-1375	Reel Motor	26	5	1
74-3730	Spacer	28	40	2	93-1375	Reel Motor	25	13	2
74-3730	Spacer - Cylinder	7	20	2	93-2010	Frame	1	4	1
74-3810	Assembly - Load Plate	27	9	1	93-2018	Hose - Radiator	19	17	1
74-5950	Latch - Swell	19	11	2	93-2020	Bracket - Support	32	14	1
74-9100	Pad - Pedal Forward	2	3	1	93-2035	Hose - Air Cleaner	24	18	1
74-9110	Pad - Pedal Reverse	2	2	1	93-2035	Hose - Air Cleaner	15	35	1
75-1010	Switch	10	26	1	93-2035	Hose - Air Cleaner	19	37	1
75-1310	Element	17	30	1	93-2036	Clamp - Air Hose	15	27	1
75-2080	Seal Kit	14	*	5	93-2048	Cap - Overflow Tank	16	19	1
75-2090	Seal Kit	14	*	1	93-2049	Tank - Overflow	16	21	1

*Not Illustrated

TORO PART NUMBER INDEX (Cont.)

Part No.	Description	Pg. No.	Ref. No.	Qty.	Part No.	Description	Pg. No.	Ref. No.	Qty.
93-2050	Screen	19	10	1	93-2270	Hose Assembly	15	31	1
93-2055	Reed Switch - Sensor	11	9	2	93-2270	Hose Assembly	5	33	1
93-2056	Reed Switch - Actuator	11	10	1	93-2271	Hose Assembly	13	13	1
93-2068	Hose - Pump Inlet	17	24	1	93-2271	Hose Assembly	5	34	1
93-2069	Rod - Brake	3	12	2	93-2272	Hose Assembly	13	14	1
93-2069	Rod - Brake	1	14	2	93-2272	Hose Assembly	5	30	1
93-2070	Clevis - Swivel	3	21	2	93-2275	Screen - Filler	18	33	1
93-2072	Shield - Wheel RH	1	17	1	93-2276	Spring - Brake Latch	1	2	1
93-2073	Shield - Wheel LH	1	16	1	93-2279	Clamp - Cable	11	2	1
93-2075	Brake Pedal	1	21	1	93-2279	Clamp - Cable	2	34	1
93-2085	Rod	2	1	1	93-2300	Radiator	19	4	1
93-2089	Bracket - Controller	15	4	1	93-2320	Shroud - Fan	19	19	1
93-2090	Fan - Engine	32	2	1	93-2329	Control - Choke	10	9	1
93-2092	Clamp - Cable	2	31	1	93-2343	Cable - Battery, Positive	15	21	1
93-2096	Lever - Brake	3	13	2	93-2344	Cable - Battery, Negative	15	22	1
93-2099	Cable - Traction Control	2	16	1	93-2344	Cable - Battery, Negative	32	36	1
93-2099	Cable - Traction Control	23	29	1	93-2349	Harness - Wire	32	37	1
93-2111	Stud - Traction	23	13	1	93-2349	Wire Harness	15	23	1
93-2115	Steering Arm	5	19	1	93-2362	Roller - Anti Scalp	30	11	4
93-2120	Steering Control Valve	5	23	1	93-2362	Roller - Anti Scalp	28	17	8
93-2122	Cylinder Asm - Steering	7	13	1	93-2363	Shaft - Roller	30	12	2
93-2123	Bracket - Fuse Block	15	19	1	93-2363	Shaft - Roller	28	16	8
93-2125	Castor Fork	7	4	1	93-2368	Bushing - Flange	30	10	2
93-2128	Panel - Seat Base	8	5	1	93-2368	Bushing - Flange	28	14	4
93-2142	Pad - Floor Plate	2	8	1	93-2384	Spacer - Carrier	28	28	2
93-2153	Adapter - Fan	32	24	1	93-2400	Lockup Handle	5	2	1
93-2173	Plate - Pump	32	27	1	93-2403	Lift Arm - Center	30	4	1
93-2174	Spacer - Lower	32	29	2	93-2405	Lift Arm - RH	28	21	1
93-2181	Pipe - Exhaust	24	12	1	93-2407	Lift Arm - LH	28	22	1
93-2188	Exhaust Bracket	24	11	1	93-2422	Rod - Seat Pivot	8	10	2
93-2190	Air Cleaner Assembly	24	6	1	93-2424	Bracket - Cooler, Lower	19	13	2
93-2191	Mounting Band Assembly	24	5	1	93-2425	Bracket - Cooler, Upper	19	5	2
93-2194	Hose - Air Cleaner	24	17	1	93-2429	Tank - Leak Detection	18	5	1
93-2194	Hose - Air Cleaner	32	40	1	93-2430	Valve Assembly	18	11	1
93-2195	Element - Air Cleaner	24	*23	1	93-2433	Hose - Formed, Inlet	18	14	1
93-2199	Screw - HH	5	9	1	93-2434	Hose - Formed, Outlet	18	7	1
93-2200	Engine - Daihatsu	32	1	1	93-2435	Plate - Cover	18	1	1
93-2205	Engine Mount - Front	32	13	1	93-2436	Decal - Leak Detector	18	23	1
93-2210	Engine Mount - Rear	32	11	1	93-2438	Clamp - Fuel Tank	17	3	1
93-2220	Pump Adapter	20	10	1	93-2445	Bracket - Alternator, Lower	32	4	1
93-2224	Tank - Fuel, Gasoline	16	2	1	93-2446	Bracket - Alternator, Upper	32	5	1
93-2227	Hose - Fuel	16	12	1	93-2448	Housing - Thermostat	19	27	1
93-2228	Hose - Fuel	16	23	1	93-2509	Clamp - Tube	25	3	2
93-2228	Hose - Fuel	32	38	1	93-2551	Seal - Basket	28	37	2
93-2229	Hose - Fuel	32	17	1	93-2551	Seal - Basket	30	43	1
93-2232	Decal - Console	10	14	1	93-2578	Shroud - Console	8	19	1
93-2234	Decal - GR3200	7	22	2	93-2586	Hydrostat	20	16	1
93-2235	Tank - Hydraulic	17	6	1	93-2588	Spacer - Upper	32	28	2
93-2236	Mount - Oil Filter	17	10	1	93-2589	Hub - Pump	20	4	1
93-2238	T-Block	25	18	1	93-3101	Cap - Fuel	16	1	1
93-2240	Manifold Assembly	13	1	1	93-3614	Assembly - Cover	27	4	1
93-2242	Filter Assembly - Oil	17	8	1	93-3615	Assembly - Drive Shaft	27	7	1
93-2246	Hydraulic Cylinder Assembly	28	1	2	93-3616	Assembly - Idler Gear	27	6	1
93-2252	Hose Assembly	20	23	1	93-4637	Washer - Flat	16	4	3
93-2252	Hose Assembly	5	31	1	93-4637	Washer - Flat	17	12	4
93-2254	Hose Assembly	28	24	2	93-4637	Washer - Flat	18	29	2
93-2254	Tube - Hydraulic	13	20	2	93-5447	Insert - Threaded	8	28	2
93-2255	Hose Assembly	28	3	1	93-6668	Decal - Battery	15	42	1
93-2255	Hose Assembly	13	26	1	93-6681	Decal - Warning, Fan	19	6	1
93-2255	Hose Assembly	15	36	1	93-6686	Decal - Hydraulic Oil	8	24	1
93-2256	Hose Assembly	28	4	1	93-6689	Decal - No Rider	8	26	1
93-2256	Hose Assembly	13	25	1	93-7053	Warning Light Cluster	10	5	1
93-2256	Hose Assembly	15	37	1	93-7160	Cap - Hydraulic Oil	18	32	1
93-2258	Hose Assembly	30	20	1	93-7252	Decal - CE Mark	8	33	1
93-2258	Hose Assembly	13	24	1	93-7276	Decal - Danger	15	43	1
93-2260	Hose - Expansion Tank	19	25	1	93-7489	Valve - Flow Control	30	35	1
93-2260	Hose - Expansion Tank	16	26	1	93-7494	Cartridge - N.O. Poppet	14	2	2
93-2264	Hose Assembly	25	14	2	93-7498	Plug - Plastic	18	41	1
93-2269	Hose Assembly	7	16	1	93-7629	Pad - Foot Brake	1	22	1
93-2269	Hose Assembly	15	30	1	93-7840	Decal - Radiator Cap	19	12	1
93-2269	Hose Assembly	5	32	1	93-8062	Decal - Parking Brake	1	5	1
93-2270	Hose Assembly	7	14	1	93-8063	Decal - Warning	5	26	1

*Not Illustrated

TORO PART NUMBER INDEX (Cont.)

3319-131

Part No.	Description	Pg. No.	Ref. No.	Qty.	Part No.	Description	Pg. No.	Ref. No.	Qty.
93-8064	Decal - Warning	28	29	2	94-4548	Bumper	28	7	2
93-8064	Decal - Warning	30	29	1	94-4548	Bumper	30	32	1
93-8068	Decal - Steering Arm	5	20	1	94-4929	Kit - Seal	6	*	1
93-8069	Decal - Hot Surface	24	9	1	94-5350	Fitting - Bulkhead Tee	26	28	2
93-9051	Decal - Eccentric Bolt	23	28	1	94-5352	Retainer - Hose	26	29	1
94-1300	Neutral Lock	2	27	1	94-5353	Tube - Hydraulic	26	31	1
94-1304	Cable - Neutral Lock	2	24	1	94-5354	Tube - Hydraulic	26	32	1
94-1304	Cable - Neutral Lock	11	29	1	94-5355	Hose Assembly	20	26	1
94-1312	Spacer - Pivot	23	5	1	94-5356	Hose Assembly	20	35	1
94-1316	Bracket - Bulkhead	26	6	1	94-5357	Hose Assembly	26	26	2
94-1317	Tube - Hydraulic	26	7	1	94-5357	Hose Assembly - RH	3	7	2
94-1317	Tube - Hydraulic	13	15	1	94-5358	Hose Assembly	26	30	2
94-1318	Tube - Hydraulic	25	20	1	94-5358	Hose Assembly - LH	3	8	2
94-1318	Tube - Hydraulic	26	21	1	94-5359	Bracket - Air Cleaner	24	2	1
94-1319	Tube - Hydraulic	25	21	1	94-5438	Seal - Solenoid	14	19	8
94-1320	Tube - Hydraulic	25	22	1	94-6351	Cartridge - Relief 150 psi	14	13	1
94-1320	Tube - Hydraulic	13	34	1	94-6352	Plug - Cavity	14	18	1
94-1321	Tube - Hydraulic	26	20	1	94-6353	Cartridge Valve Assembly	14	15	1
94-1321	Tube - Hydraulic	25	23	1	94-6357	Hydraulic Cylinder Assembly	30	2	1
94-1325	Push Mount Tie	15	16	2	94-6359	Shaft - Drive	22	2	1
94-1328	Hose Assembly	26	8	1	94-6360	Plate - Valve	22	13	1
94-1331	Hose Assembly	13	30	1	94-6361	Back Plate Assembly	22	16	1
94-1332	Hose Assembly	20	27	1	94-6362	Seal Repair Kit	22	*	1
94-1332	Hose Assembly	13	33	1	94-6363	Bearing	22	3	1
94-1348	Hose - Tank, Recovery	16	17	1	94-6366	Cover - Steering Valve	5	16	1
94-1350	Harness - Leak Detector	18	22	1	94-6368	Bearing	22	14	1
94-1364	Plate	16	13	1	94-6370	Alternator Guard Assembly	19	29	1
94-1369	Spring - Ext.	23	17	1	94-6383	Hose Assembly	20	44	1
94-1371	Spacer	2	11	1	94-6384	Hose Assembly	20	25	1
94-1372	Bracket - Mow	2	20	1	94-6385	Valve - Relief	20	40	1
94-1373	Bracket - Lock	2	19	1	94-6386	Cartridge - Relief Valve	20	47	1
94-1374	Trunnion Mow Bracket	2	22	1	94-6398	Bracket - Traction	11	15	1
94-1375	Trunnion Lock Bracket	2	21	1	94-6399	Plate - Floor	2	9	1
94-1378	Tube - Handle Pivot	11	11	1	94-6953	Console	10	1	1
94-1383	Pedal Pivot	2	12	1	94-8043	Fitting - Hydraulic Union	30	36	1
94-1386	Shaft - Pedal Lock	2	23	1	94-8044	Fitting - Hydraulic 90°	30	37	1
94-1414	Valve	24	22	1	94-8153	Muffler	24	7	1
94-2579	Decal - Toro	8	27	1	94-8155	Bracket - Bulkhead	26	14	1
94-2627	Cartridge	14	3	1	94-8156	Shield - Dust	32	47	1
94-3011	Plug	21	18	1	94-8157	Arrestor - Spark	24	*	1
94-3452	Pin - Cylinder	30	21	1	94-8158	Screw - Cap	21	11	8
94-3457	Sender - Temperature	32	3	1	94-8160	Washer	21	17	4
94-3474	Pad - Thermal	16	25	1	94-8161	Kit - Seal Repair	21	*	1
94-3477	Hose Assembly	13	22	1	94-8165	Plate - Mounting	18	6	1
94-3477	Hose Assembly	30	26	1	94-8166	O-Ring	18	42	2
94-3483	Pull Arm	30	9	1	94-8167	Hose Assembly	20	37	1
94-3483	Pull Arm	28	13	2	94-8172	Grass Basket Assembly	28	35	2
94-3486	Plate	23	34	1	94-8172	Grass Basket Assembly	30	41	1
94-3488	Pump Lever	23	6	1	94-8174	Hose - Pump Inlet	20	24	1
94-3489	Screw - HH	2	26	1	94-8178	Seal Kit	4	*	1
94-3491	Bracket - Spring	23	19	1	94-8188	Clamp - Hose	32	49	1
94-3641	Housing Assembly	22	29	1	94-8196	Washer - Nylon	23	39	2
94-3643	Plate - Cam	22	10	1	94-8197	Tube - Pivot	23	2	1
94-3644	Seat	22	20	2	94-8198	Carrier Pin Assembly	28	6	2
94-3645	Key	22	1	1	94-8199	Tube - Pivot	30	22	1
94-3646	Key	22	9	1	94-9600	Brake Latch	1	13	1
94-3652	Cover Assembly	24	21	1	94-9603	Cable Support	23	9	1
94-3653	Bolt	24	26	1	94-9607	Hose - Formed	17	21	1
94-3654	Spring - Compression	24	25	1	94-9608	Hose - Radiator	19	2	1
94-3661	Seal Kit	14	*	1	94-9609	Bushing - Straight	23	10	1
94-4398	Kit - Seal, Repair	7	*	1	94-9610	Bushing - Flange	30	6	2
94-4518	Tube - Hydraulic	17	22	1	94-9610	Bushing - Flange	28	10	4
94-4518	Tube - Hydraulic	13	27	1	94-9611	Handle	11	7	1
94-4519	Tube - Convoluted	15	40	1	94-9614	Roller Pivot - Welded	11	22	1
94-4522	Hose - Breather	19	24	1	94-9617	Pin - Spring	11	20	1
94-4527	Neutral Arm	23	11	1	94-9618	Spacer - Spring	11	25	1
94-4528	Plug	19	14	2	94-9619	Bushing	11	23	1
94-4538	Spacer - Mount	32	45	3	94-9620	Spring - Torsion	11	26	1
94-4539	Hose Assembly	26	16	1	94-9623	Radiator Support Asm.	19	8	1
94-4539	Hose Assembly	17	27	1	94-9624	Carrier - LH	28	12	1
94-4546	Panel - Extension	8	30	1	94-9625	Carrier - RH	28	11	1
94-4547	Panel - Lower	8	20	1	94-9626	Center Carrier Assembly	30	7	1

*Not Illustrated

TORO PART NUMBER INDEX (Cont.)

Part No.	Description	Pg. No.	Ref. No.	Qty.	Part No.	Description	Pg. No.	Ref. No.	Qty.
94-9627	Seat Support Asm	8	4	1	237-65	O-Ring	3	30	4
94-9628	Steering Cover Asm	5	14	1	237-65	O-Ring	20	32	3
94-9629	Muffler Shield Assembly	24	8	1	237-78	O-Ring	13	23	7
94-9647	Ball Joint	30	15	1	237-78	O-Ring	26	24	1
94-9647	Ball Joint	28	20	2	237-78	O-Ring	25	30	4
94-9648	Ball Stud	30	40	1	237-78	O-Ring	28	30	4
94-9648	Ball Stud	28	41	2	237-78	O-Ring	7	30	2
94-9649	O-Ring	18	20	1	237-78	O-Ring	30	38	2
95-0501	Decal - Service	8	25	1	237-78	O-Ring	18	40	1
95-0502	Decal - Service (Danish)	8	25	1	237-79	O-Ring	14	11	1
95-0503	Decal - Service (Dutch)	8	25	1	237-79	O-Ring	26	23	2
95-0504	Decal - Service (Finnish)	8	25	1	237-79	O-Ring	25	28	4
95-0505	Decal - Service (French)	8	25	1	237-79	O-Ring	20	29	3
95-0506	Decal - Service (German)	8	25	1	237-79	O-Ring	5	29	4
95-0507	Decal - Service (Italian)	8	25	1	237-79	O-Ring	13	32	1
95-0508	Decal - Service (Japanese)	8	25	1	237-79	O-Ring	18	36	4
95-0509	Decal - Service (Norwegian)	8	25	1	237-80	O-Ring	14	16	2
95-0510	Decal - Service	8	25	1	237-80	O-Ring	13	17	2
95-0511	Decal - Service (Spanish)	8	25	1	237-80	O-Ring	18	19	1
95-0512	Decal - Service (Swedish)	8	25	1	237-80	O-Ring	3	31	4
95-0533	Gear Pump - 2 Section	20	28	1	237-81	O-Ring	17	17	3
95-1601	Cartridge - Relief 2400 psi	14	8	1	237-81	O-Ring	13	29	1
95-1628	Hinge - Upper	1	11	1	237-81	O-Ring	20	34	3
95-1629	Hinge - Lower	1	12	1	237-100	Grommet	8	12	1
95-1639	Fitting - Hydraulic	30	17	1	237-146	O-Ring	17	26	1
95-1639	Fitting - Orificed	13	36	2	237-156	O-Ring	14	5	9
95-2903	Angle - Basket Seal	28	36	2	240-3	Grommet - Rubber	26	11	4
95-2903	Angle - Basket Seal	30	42	1	240-3	Grommet - Rubber	25	24	4
95-2907	Hose Assembly	26	4	2	240-11	Grommet	16	3	3
95-2908	Hose Assembly	25	15	2	240-11	Grommet	17	13	4
95-2909	Hose Assembly	25	17	2	240-11	Grommet	18	15	2
95-2926	Filter - Fuel	16	11	1	242-50	Nut - Lug	3	1	8
95-5641	Seal Kit	14	*	1	242-50	Nut - Lug	7	8	4
95-5999	Plug - Orifice	14	14	1	2411-34	Ball Joint	23	26	1
217-60	Rim	3	23	2	2411-34	Ball Joint	2	29	1
217-60	Rim	7	23	1	2411-38	Ball Joint	11	1	1
218-446	Washer - Lock	10	15	1	2411-38	Ball Joint Assembly	2	7	1
218-447	Nut - Hex.	10	16	1	2412-34	Clamp - Hose	19	1	4
218-473	Boot - Toggle Switch	18	18	1	2412-34	Clamp - Hose	20	1	2
218-498	Nut - Lock	10	24	3	2412-34	Clamp - Hose	17	25	1
218-589	Washer - Lock	10	25	1	2412-36	Clamp - Hose	18	8	4
218-590	Switch - Micro	10	18	2	2412-36	Clamp - Hose	16	10	2
2112-9	Clamp	24	10	2	2412-39	Clamp - R	15	39	2
232-24	Stem - Valve	3	22	2	2412-41	Clamp - R	16	20	4
232-27	Valve Stem w/Cap	7	29	1	2412-41	Clamp - R	19	26	1
233-42	Knob	11	21	1	2412-92	Clamp - Hose	24	19	2
233-48	Knob	5	1	1	2412-92	Clamp - Hose	32	35	1
237-21	O-Ring	13	21	7	2412-92	Clamp - Hose	19	36	1
237-21	O-Ring	26	25	1	2412-98	Clamp - Hose	32	7	3
237-21	O-Ring	25	29	4	2412-98	Clamp - Hose	16	24	3
237-21	O-Ring	28	31	4	2412-104	Clamp - R	15	20	3
237-21	O-Ring	7	31	2	2412-108	Clamp - Hose	19	20	3
237-21	O-Ring	5	35	2	2412-108	Clamp - Hose	16	22	1
237-21	O-Ring	30	39	2	2412-129	Clamp - Hose	17	23	2
237-22	O-Ring	13	19	1	2412-133	Clamp - R	8	17	2
237-22	O-Ring	25	25	1	2412-134	Clamp - R	26	15	2
237-22	O-Ring	17	28	1	2412-137	Clamp - Tube, Double	26	34	1
237-22	O-Ring	20	31	6	251-259	Bearing - Ball	23	16	1
237-30	O-Ring	26	22	2	251-259	Bearing - Ball	11	19	1
237-30	O-Ring	25	27	4	252-66	Bearing - Thrust	22	32	1
237-30	O-Ring	20	30	1	252-71	Race - Bearing	22	31	2
237-30	O-Ring	13	31	1	252-95	Bearing - Thrust	22	8	2
237-42	O-Ring	14	7	6	253-111	Seal - Shaft	7	24	2
237-42	O-Ring	13	18	1	254-61	Bearing - Cup	7	19	2
237-42	O-Ring	25	26	1	254-70	Bearing Cone	7	18	2
237-42	O-Ring	17	29	1	254-78	Cone - Bearing	7	25	2
237-42	O-Ring	5	36	1	254-79	Cup - Bearing	7	26	2
237-42	O-Ring	20	39	2	256-311	Bushing - Straight	11	8	1
237-58	O-Ring	17	20	1	256-311	Bushing - Straight	2	13	4
237-58	O-Ring	13	28	1	281-10	Plug - Pipe	17	5	1
237-65	O-Ring	13	16	3	282-2	Clevis	1	19	2
237-65	O-Ring	26	27	3	283-8	Pin - Clevis	30	3	1

*Not Illustrated

TORO PART NUMBER INDEX (Cont.)

3319-131

Part No.	Description	Pg. Ref.		Part No.	Description	Pg. Ref.	
		No.	Qty.			No.	Qty.
283-8	Pin - Clevis	28	9 2	3257-42	Key - Woodruff	4	17 1
283-61	Pin - Clevis	1	18 2	3269-15	Rivet - Pop	19	21 8
283-87	Pin - Clevis	1	23 2	3272-6	Pin - Cotter	1	20 2
285-17	Plug	24	20 1	3272-11	Pin - Cotter	30	16 1
302-5	Fitting - Grease	2	38 1	3272-11	Pin - Cotter	28	23 2
302-5	Fitting - Grease, Str.	7	21 1	3272-11	Pin - Cotter	1	25 2
302-55	Fitting - Grease	7	27 1	3272-37	Pin - Cotter	7	2 1
302-60	Fitting - Grease 90°	30	30 1	3273-26	Screw - HSH	11	6 2
302-60	Fitting - Grease 90°	28	33 2	3273-26	Screw - HSH	10	11 4
302-60	Fitting - Grease, 90°	7	11 2	3274-1	Screw - HH	20	20 2
304-73	Fitting - Hose Barb	19	3 2	3274-12	Screw - HSH	8	29 4
322-2	Screw - HH	8	2 2	3274-39	Screw - HSBH	8	6 9
323-4	Screw - HH	5	18 2	3274-39	Screw - HSBH	5	13 6
323-4	Screw - HH	23	20 2	3274-39	Screw - HSBH	18	27 1
323-11	Screw - HH	32	19 3	3274-63	Screw - HSBH	5	7 2
325-4	Screw - HH	5	10 2	3274-80	Screw - HSBH	5	21 3
325-4	Screw - HH	30	34 1	3290-93	Screw - HH	10	19 4
325-4	Screw - HH	28	39 2	3290-277	Nut - Speed	5	25 6
325-6	Screw - HH	28	26 2	3290-282	Rivet - Pop	8	34 1
325-6	Screw - HH	30	27 1	3290-354	Plate - Nut	10	17 2
327-17	Screw - HH	30	24 1	3290-357	Nut - Flange	32	20 3
3210-6	Screw - HH	23	8 1	3290-378	Tie - Cable	10	12 2
3211-2	Screw - HH	28	15 8	3290-378	Tie - Cable	8	18 1
3211-2	Screw - HH	30	25 4	3290-378	Tie - Cable	26	36 1
3213-1	Screw - HH	30	14 1	3290-378	Tie - Cable	15	41 3
3213-1	Screw - HH	28	19 2	3290-378	Tie - Cable	32	46 2
3218-2	Nut - Jam	15	29 2	3290-379	Tie - Cable	5	37 1
3218-5	Nut - Jam	28	27 4	3290-382	Rivet - Pop	30	34 8
3218-5	Nut - Jam	30	28 2	3290-382	Rivet - Pop	28	38 16
3219-14	Nut - Hex.	2	40 1	3290-415	Rivet - Pop	15	24 2
3219-14	Nut - Jam	11	28 1	3290-488	Boot - Control, Lift	10	20 1
3220-1	Nut - Jam	23	38 1	3290-489	Knob - Control, Lift	10	21 1
3220-1	Nut - Jam	2	39 1	3296-2	Nut - Lock	15	17 2
3220-2	Nut - Jam	1	3 2	3296-4	Nut - Lock Elastic	23	14 1
3220-2	Nut - Jam	23	32 1	3296-12	Nut - Lock	8	8 9
3220-6	Nut - Jam	7	17 4	3296-12	Nut - Lock	18	28 1
3220-20	Nut - Jam	3	15 2	3296-13	Nut - Lock	23	27 1
3241-6	Screw - SQH	20	5 2	3296-13	Nut - Lock	2	30 1
3242-2	Screw - Set	5	22 1	3296-19	Nut - Lock	30	13 1
3253-3	Washer - Spring Lock	19	32 2	3296-19	Nut - Lock	28	18 2
3254-2	Washer - Lock	15	13 1	3296-27	Nut - Lock	11	4 1
3254-2	Washer - Lock, Int	32	6 1	3296-27	Nut - Lock	11	18 2
3256-1	Washer - Flat	25	2 2	3296-29	Nut - Lock	8	15 4
3256-1	Washer - Flat	17	15 2	3296-29	Nut - Hex	23	25 1
3256-1	Washer - Flat	8	23 3	3296-53	Nut - Hex	30	23 1
3256-1	Washer - Flat	11	24 2	3296-67	Nut - Lock NI	7	9 1
3256-1	Washer - Flat	2	28 2	32105-13	Screw - HH	15	18 2
3256-1	Washer - Flat	18	30 5	32120-8	Ring - Retaining	29	7 1
3256-3	Washer - Flat	20	7 4	32120-8	Ring - Retaining	31	7 1
3256-3	Washer - Flat	32	42 1	32120-72	Ring - Retaining, Ext.	30	18 2
3256-7	Washer - Flat	30	8 1	32121-6	Pin - Roll	30	31 2
3256-22	Washer - Flat	26	19 2	32121-6	Pin - Roll	28	34 4
3256-22	Washer - Flat	19	31 4	32121-7	Pin - Spring	8	11 2
3256-22	Washer - Flat	23	31 1	32121-45	Roll Pin	2	5 1
3256-22	Washer - Flat	15	38 2	32121-50	Pin - Roll	1	7 1
3256-22	Washer - Flat	20	41 2	32128-20	Nut - Lock	2	25 2
3256-23	Washer	19	30 2	32136-9	Nut - Hex	7	1 1
3256-23	Washer - Flat	8	3 4	32144-14	Screw - HH	26	3 6
3256-23	Washer - Flat	15	10 2	32144-14	Screw - HH	17	4 2
3256-23	Washer - Flat	3	11 2	32144-14	Screw - HH	15	5 13
3256-23	Washer - Flat	16	14 2	32144-14	Screw - HH	16	6 7
3256-23	Washer - Flat	18	17 2	32144-14	Screw - HH	19	7 2
3256-24	Washer - Flat	11	14 1	32144-14	Screw - HH	28	8 4
3256-24	Washer - Flat	20	19 4	32144-14	Screw - HH	1	10 5
3256-24	Washer - Flat	2	35 2	32144-14	Screw - HH	2	10 8
3256-24	Washer - Flat	20	46 2	32144-14	Screw - HH	8	21 2
3256-26	Washer - Flat	5	11 2	32144-14	Screw - HH	7	32 1
3256-26	Washer - Flat	32	31 8	32144-14	Screw - HWH	32	48 2
3256-27	Washer - Flat	1	24 2	32144-21	Screw - Phillips Pan Head	5	28 2
3256-49	Washer - Flat	8	35 1	32144-44	Screw - HWH	28	32 2
3256-77	Washer - Flat	8	7 6	32144-44	Screw - HWH	30	33 1
3257-42	Key - Woodruff	3	5 2	32149-8	Nut - Keps	10	8 2

*Not Illustrated

TORO PART NUMBER INDEX (Cont.)

Part No.	Description	Pg. No.	Ref. No.	Qty.	Part No.	Description	Pg. No.	Ref. No.	Qty.
32151-13	Ring - Retaining	22	35	1	33114-030	Screw - HH	20	12	2
32151-29	Ring - Retaining	22	30	2	33114-030	Screw - HH	3	17	2
32151-41	Ring - Retaining	27	13	1	33114-030	Screw - HH	23	23	1
32151-104	Ring - Retaining, Ext.	7	12	2	33114-040	Screw - HH	15	8	1
33014-00	Nut - Hex	2	37	1	33114-090	Screw - HH	18	9	4
33023-00	Nut - Lock	1	1	2	33115-016	Screw - HH	2	36	1
33023-00	Nut - Lock	23	1	1	33115-020	Screw - HH	16	16	3
33023-00	Nut - Lock	2	15	2	33115-020	Screw - HH	17	16	6
33023-00	Nut - Lock	11	27	1	33115-020	Screw - HH	18	24	2
33023-00	Nut - Lock	20	45	2	33115-035	Screw - HH	23	33	3
33023-00	Nut - Lock NI	15	3	5	33115-040	Screw - HH	11	12	1
33023-00	Nut - Lock NI	25	4	2	33115-040	Screw - HH	20	15	2
33023-00	Nut - Lock NI	32	8	1	33115-050	Screw - HH	32	41	1
33023-00	Nut - Lock NI	26	18	2	33115-090	Screw - HH	2	14	1
33023-00	Nut - Lock NI	3	19	8	33116-060	Screw - HH	3	20	8
33023-00	Nut - Lock NI	19	28	4	33116-130	Screw - HH	32	30	4
33023-00	Nut - Lock NI (Europe)	8	32	1	33123-016	Screw - Carriage	1	6	2
33024-00	Nut - Lock	1	8	1	33124-020	Screw - Carr.	2	6	2
33024-00	Nut - Lock	2	17	4	340-2	Fitting - Hydraulic	17	2	1
33024-00	Nut - Lock	23	21	3	340-2	Fitting - Hydraulic	25	16	1
33024-00	Nut - Lock	26	33	1	340-4	Fitting - Hydraulic	25	8	2
33024-00	Nut - Lock NI	10	3	4	340-7	Fitting - Hydraulic	13	2	1
33024-00	Nut - Lock NI	24	3	4	340-8	Fitting - Hydraulic	20	17	2
33024-00	Nut - Lock NI	11	5	1	340-9	Fitting - Hydraulic	17	7	1
33024-00	Nut - Lock NI	15	9	1	340-9	Fitting - Hydraulic	13	8	1
33024-00	Nut - Lock NI	19	9	6	340-14	Fitting - 45°	3	9	4
33024-00	Nut - Lock NI	20	13	2	340-14	Fitting - Hydraulic	13	35	1
33024-00	Nut - Lock NI	32	16	11	340-17	Fitting - Hydraulic 90°	13	5	1
33024-00	Nut - Lock NI	3	18	2	340-17	Fitting - Hydraulic 90°	20	18	1
33024-00	Nut - Lock NI	18	31	4	340-18	Fitting - Hydraulic	20	21	1
33025-00	Nut - Lock	2	33	1	340-70	Nut - Bulkhead	26	2	1
33025-00	Nut - Lock	23	37	3	340-74	Nut - Bulkhead	26	1	4
33025-00	Nut - Lock	32	43	1	340-74	Nut - Bulkhead	25	10	4
33025-00	Nut - Lock NI	11	13	1	340-77	Fitting - Hydraulic	20	38	1
33025-00	Nut - Lock NI	20	14	2	340-77	Fitting - Hydraulic 90°	13	6	1
33026-00	Nut - Lock NI	32	32	4	340-92	Fitting - Hydraulic	25	7	4
33113-008	Screw - HH	11	3	2	340-92	Fitting - Hydraulic	13	9	1
33113-008	Screw - HH	25	19	1	340-92	Fitting - Hydraulic	26	12	1
33113-012	Screw - HH	8	36	1	340-94	Fitting - Tee	20	43	1
33113-016	Screw - HH	15	12	3	340-98	Fitting - Hydraulic 90°	20	3	1
33113-016	Screw - HH	17	18	2	340-98	Fitting - Hydraulic 90°	25	6	2
33113-016	Screw - HH	18	21	5	340-98	Fitting - Hydraulic 90°	26	13	2
33113-016	Screw - HH	19	22	4	340-103	Fitting - Hydraulic 45°	13	10	1
33113-016	Screw - HH	8	22	2	340-115	Fitting - Tee	20	36	1
33113-016	Screw - HH	32	26	5	340-132	Fitting - Hydraulic	7	15	2
33113-020	Screw - HH	3	16	8	340-132	Fitting - Hydraulic 90°	30	1	1
33113-020	Screw - HH	26	17	2	340-132	Fitting - Hydraulic 90°	28	2	4
33113-025	Screw - HH	19	15	2	340-132	Fitting - Hydraulic 90°	13	7	1
33113-030	Screw - HH	23	3	1	340-133	Fitting - Hydraulic	5	17	2
33113-030	Screw - HH (Europe)	8	31	1	340-138	Fitting - Hydraulic 45°	13	3	1
33113-050	Screw - HH	25	1	2	340-140	Tee - Hydraulic	13	11	1
33113-050	Screw - HH	20	42	2	353-599	Pin-Dowel	27	3	2
33113-070	Screw - HH	15	2	2	353-988	Plug	17	19	1
33114-016	Screw - HH	32	9	1	353-988	Plug	20	22	1
33114-016	Screw - HH	13	12	2	353-988	Plug	14	10	1
33114-016	Screw - HH	16	15	2	353-989	Plug	14	6	6
33114-016	Screw - HH	2	32	4	353-990	Plug	18	39	1
33114-016	Screw - HH	19	38	1	353-991	Plug	25	5	1
33114-020	Screw - HH	10	2	4	353-991	Plug	14	4	9
33114-020	Screw - HH	24	4	10	354-46	Ring-Seal	27	8	1
33114-020	Screw - HH	1	9	1	354-50	Screw-Hex Socket Hd.	27	1	4
33114-020	Screw - HH	20	11	5	354-51	Washer	27	2	4
33114-020	Screw - HH	19	18	5	354-70	Plug	14	17	2
33114-020	Screw - HH	23	24	1	354-73	Fitting - Hydraulic	17	9	2
33114-020	Screw - HH	26	35	1	354-78	Fitting - Barb	17	1	1
33114-020	Screw - HHF	32	15	19	354-120	Fitting - Barb	18	13	2
33114-025	Screw - HH	23	22	1	354-121	Fitting - Barb	18	10	2

*Not Illustrated

PRODUCT CHANGES

In an effort to make improvements available to TORO owners as quickly as possible, minor changes are incorporated into Toro's products from time to time that do not become immediately shown in the Parts Catalog. If such a change has been made in your unit, which is not reflected in your manual, see your TORO Distributor or his Authorized TORO Service Dealer for information and part numbers.

IDENTIFICATION AND ORDERING

MODEL AND SERIAL NUMBERS

The Greensmaster 3200 has two identification numbers; a model number and a serial number. The two numbers are stamped on a plate which is located on the main frame under the seat. In any correspondence concerning the Greensmaster 3200, supply model and serial numbers to assure that correct information and replacement parts are obtained.

To order replacement parts from an Authorized TORO Service Dealer, supply the following information:

1. Model and serial number of the Greensmaster 3200.
2. Part number, description, and the quantity of part(s) desired.

NOTE: Do not order by reference number if a parts catalog is being used; use the PART NUMBER.

TABLE OF CONTENTS

Description	Page	Description	Page
Frame & Brake Pedal Assembly	1	Radiator Assembly	19
Floor Panel & Traction Pedal Assembly	2	Hydraulic Pump & Hydrostat Assembly	20
Front Wheel & Brake Assembly	3	Gear Pump Assembly No. 95-0533	21
Hydraulic Drive Motor Assembly No. 92-9199	4	Hydrostat Assembly No. 93-2586	22
Steering Arm Assembly	5	Neutral System Assembly	23
Steering Control Valve No. 93-9120	6	Muffler & Air Cleaner Assembly	24
Rear Wheel Assembly	7	Reel Motor Installation Assembly - R.H. & L.H.	25
Seat Assembly	8	Reel Motor Installation Assembly - Rear	26
Electrical Schematic	9	Reel Motor Assembly No. 93-1375	26
Control Panel Assembly	10	Pull Frame Assembly - R.H. & L.H.	28
Traction Handle Assembly	11	Hydraulic Cylinder No. 93-2246	29
Hydraulic Schematic	12	Pull Frame Assembly - Rear	30
Manifold Installation Assembly	13	Hydraulic Cylinder No. 94-6357	31
Manifold Assembly No. 93-2240	14	Engine Installation Assembly	32
Battery & Controller Assembly	15	Briggs & Stratton Engine Assembly	
Fuel System Assembly	16	Model 433447	33-44
Hydraulic Reservoir Assembly	17	TORO Part Number Index	45-50
Leak Detector Assembly	18		

