



Count on it.

Parts Catalog

**Z Master[®] Riding Mower
with 52in TURBO FORCE[®] Side Discharge
Mower**

Model No. 74143—Serial No. 312000001 and Up



Ordering Replacement Parts

To order replacement parts, please supply the part number, the quantity, and the description of each part desired.

Understanding Reference Numbers

Each identified part in an illustration has a reference number. The reference number for a part also appears in the parts list, along with other information about the part.

This catalog uses two special reference number formats, one to indicate parts in a service assembly and another to indicate the quantity of a given part in an illustration.

Service Assembly Reference Numbers

Parts in service assemblies have reference numbers in the form a:b. The a represents the reference number of the entire service assembly and the b represents a sequential number unique to each part within the service assembly.

For example, a wheel assembly might be identified by reference number 6, the tire by 6:1, the valve by 6:2, and the wheel by 6:3. When you order the assembly identified by reference number 6, you receive all parts identified by reference numbers 6:1, 6:2, and 6:3. However, you may also order any part individually. Reference numbers of this type appear in illustration and in parts lists.

Reference Numbers Indicating Quantity

In an illustration, if a reference number indicates more than one part, the reference number has the form nX y. The n represents the quantity of the part, the X is the multiplication symbol, and the y represents the reference number.

For example, in an illustration, the reference number 2X 37 means that two of the parts identified by reference number 37 are indicated.

List of Abbreviations

AR: as required

ASM: assembly

BBC: blade brake control

BHTF: button head thread forming

CARR: carriage

CCW: counter clockwise

CW: clockwise

DEG: degrees

DPA: Dual Point Adjustment

ECM: electronic control module

EXT: external

FH: flat head

GA: gauge

HD: heavy-duty

HF: hex flange

HH: hex head

HHF: hex head flange

HHFTF: hex head flange thread forming

HJ: hex jam

HLH: hex lag head

HOC: height-of-cut

HSBH: hex socket button head

HSFH: hex socket flat head

HSH: hex socket head

HWH: hex washer head

HWTF: hex washer head thread forming

HYD: hydraulic

LH: left hand

LPG: Liquid Propane Gas

NI: nylon insert

NPTF: national pipe thread fine

PFH: phillips flat head

PPH: phillips pan head

PPHTF: phillips pan head thread forming

PRH: phillips round head

PTH: phillips truss head

PTO: power-take-off

RH: right hand

ROPS: roll-over protection system

RRB: rear roller brush

SFH: slotted fillister head

SHH: slotted hex head

SHWH: slotted hex washer head

SPH: slotted pan head

SQH: square head

SRH: slotted round head

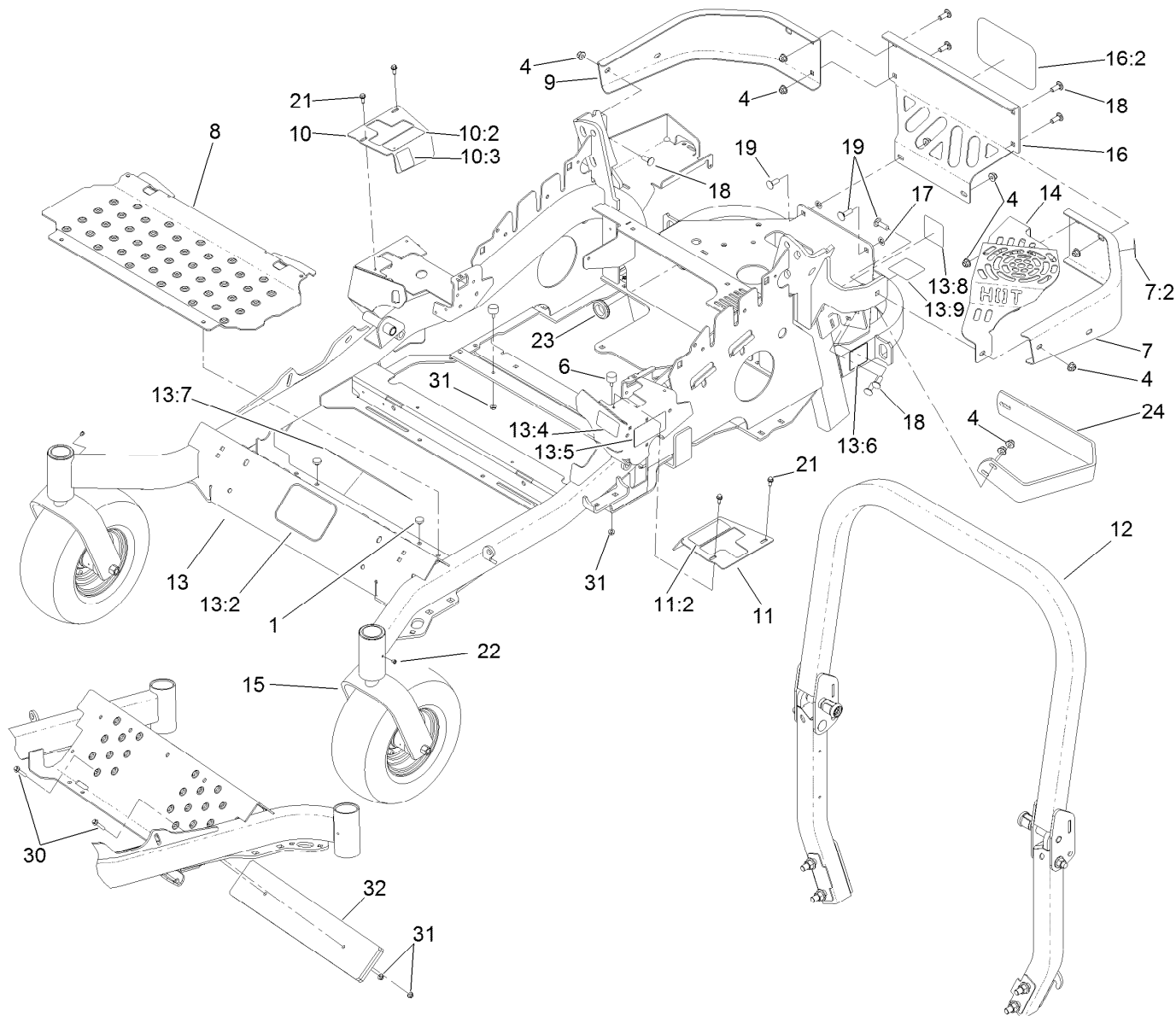
STD: standard

TAP: self tapping

TTH: torx truss head

Contents

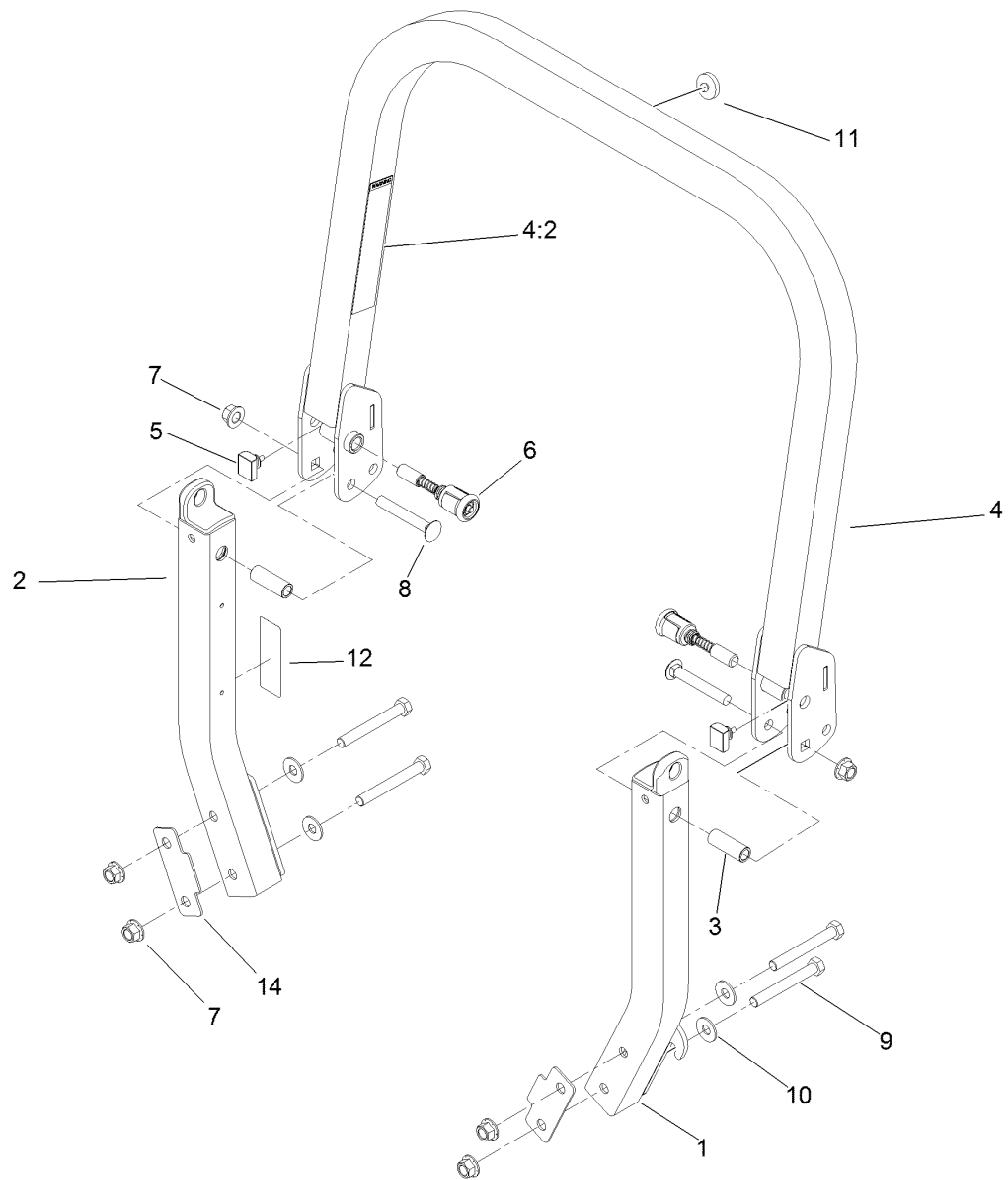
Frame and Caster Wheel Assembly	4
Roll-Over Protection System Assembly No. 116-0231	5
Caster Fork and Wheel Assembly	6
Hydro Drive System Assembly	7
RH Transaxle Assembly No. 117-2610	8
LH Transaxle Assembly No. 117-2611	10
Hydro Idler Arm Assembly	12
Fuel Tank and Hose Assembly	13
Seat Mounting Assembly	14
Seat Assembly No. 120-7886	15
Motion Control Assembly	16
Parking Brake Assembly	17
Engine, Muffler and Control Panel Assembly	18
Deck Lift Assembly	20
Height-of-Cut Assembly No. 120-2530	21
Deck Assembly	22
Deck Decal Assembly No. 120-2351	23
Deflector Assembly No. 120-2451	24
Idler Assembly	25
Electrical Assembly	26
Attachments and Accessories	27



Frame and Caster Wheel Assembly

Ref.	Part Number	Qty.	Description	Ref.	Part Number	Qty.	Description
1	1-513658	2	Bumper	13:7	116-3303	1	Decal-Slope
4	104-8301	10	Nut-Flange, NI	13:8	116-4858	1	Decal-Spark Arrester
6	116-6380	2	Bumper-Rubber (W/ Stud)	13:9	117-1158	2	Decal-Bypass
7	109-9869	1	Bumper-Rear, LH	14	120-7896-03	1	Guard-Muffler
7:2	103-2076	1	Decal-Caution	15		2	Front Caster ASM ●
8	116-0024-01	1	Floorpan	16	119-2691	1	Rear Guard ASM
9	116-0508-03	1	Bumper-Rear, RH	16:2	67-7320	1	Decal
10	120-3280	1	Motion Control Cover, RH	17	107-3154	2	Nut-Push
10:2	109-7232	1	Decal-Motion Control	18	3231-22	7	Screw-CARR
10:3	116-5944	1	Decal-Park Brake	19	3231-25	3	Bolt-CARR
11	120-3279	1	Motion Control Cover, LH	21	32144-10	4	Screw-HWH
11:2	109-7232	1	Decal-Motion Control	22	1-811010	2	Plug
12	116-0231	1	ROPS ASM	23	120-3265	1	Grommet
13	117-8581	1	Frame ASM	24	119-2607-03	1	Guard-Muffler, Side
13:2	68-3640	1	Decal	30	3234-21	2	Screw-HHF
13:4	116-1654	1	Decal-Fuel Fill	31	104-7201	4	Nut-HF
13:5	120-5891	2	Decal	32	121-4773-01	2	Weight
13:6	116-0205	2	Decal-Belt Drive				

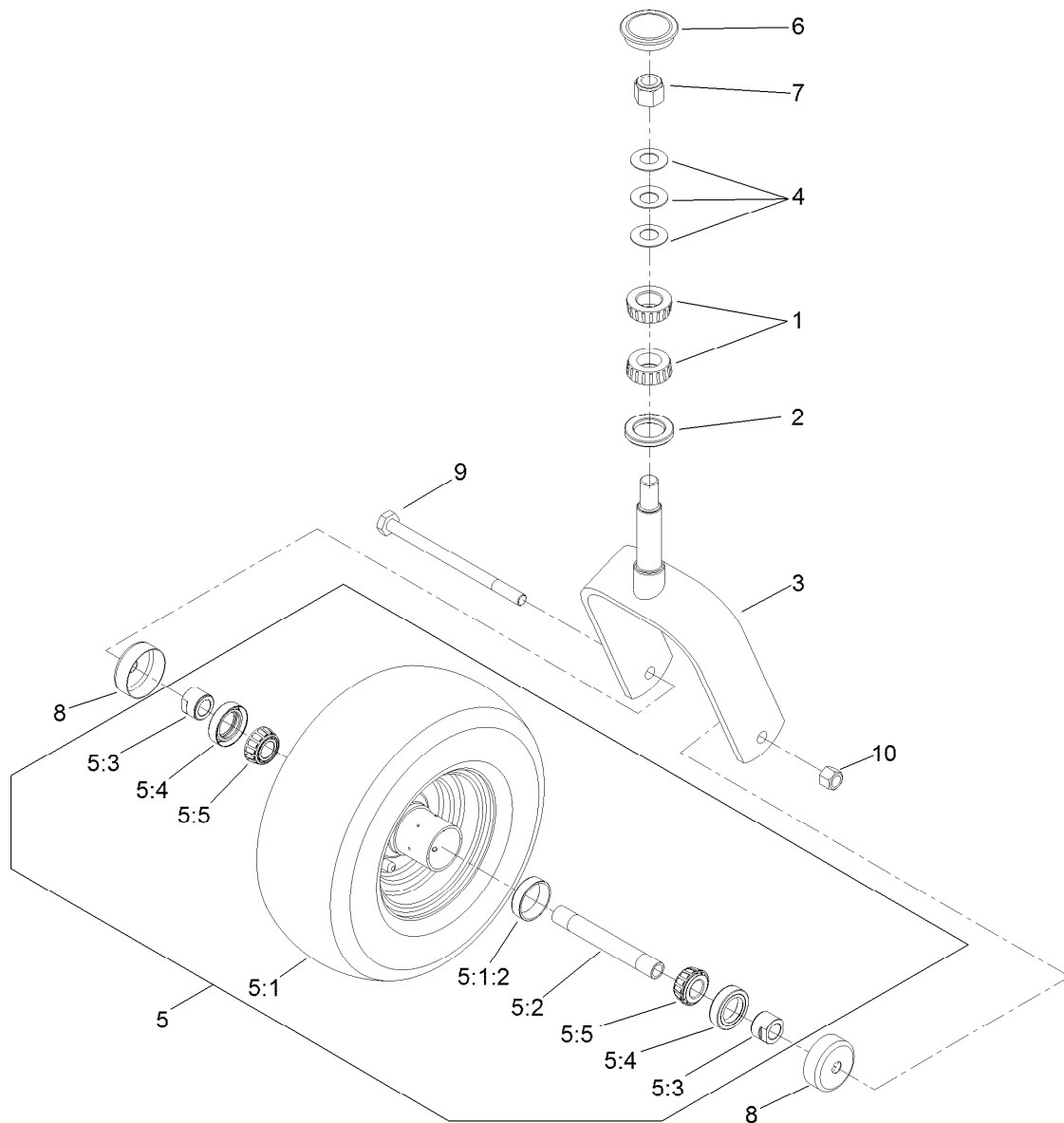
● Not serviced separately



Roll-Over Protection System Assembly No. 116-0231

Ref.	Part Number	Qty.	Description
1		1	LH ROPS Leg ASM ●
2		1	RH ROPS Leg ASM ●
3	109-6653	2	Spacer
4		1	Upper ROPS ASM ●
4:2	107-2102	1	Decal-Warning, Folding ROPS
5	109-5337	2	Bumper-ROPS
6	116-0104	2	Spring Pin ASM
7	99-5107	6	Nut-Lock
8	3233-10	2	Screw-CARR
9	325-17	4	Screw-HH
10	109-9505	4	Washer-Spring
11	109-9233	1	Bumper-Push-In, Rubber
12	116-0090	1	Decal-Caution
14	116-0960	2	Spacer

● Not serviced separately

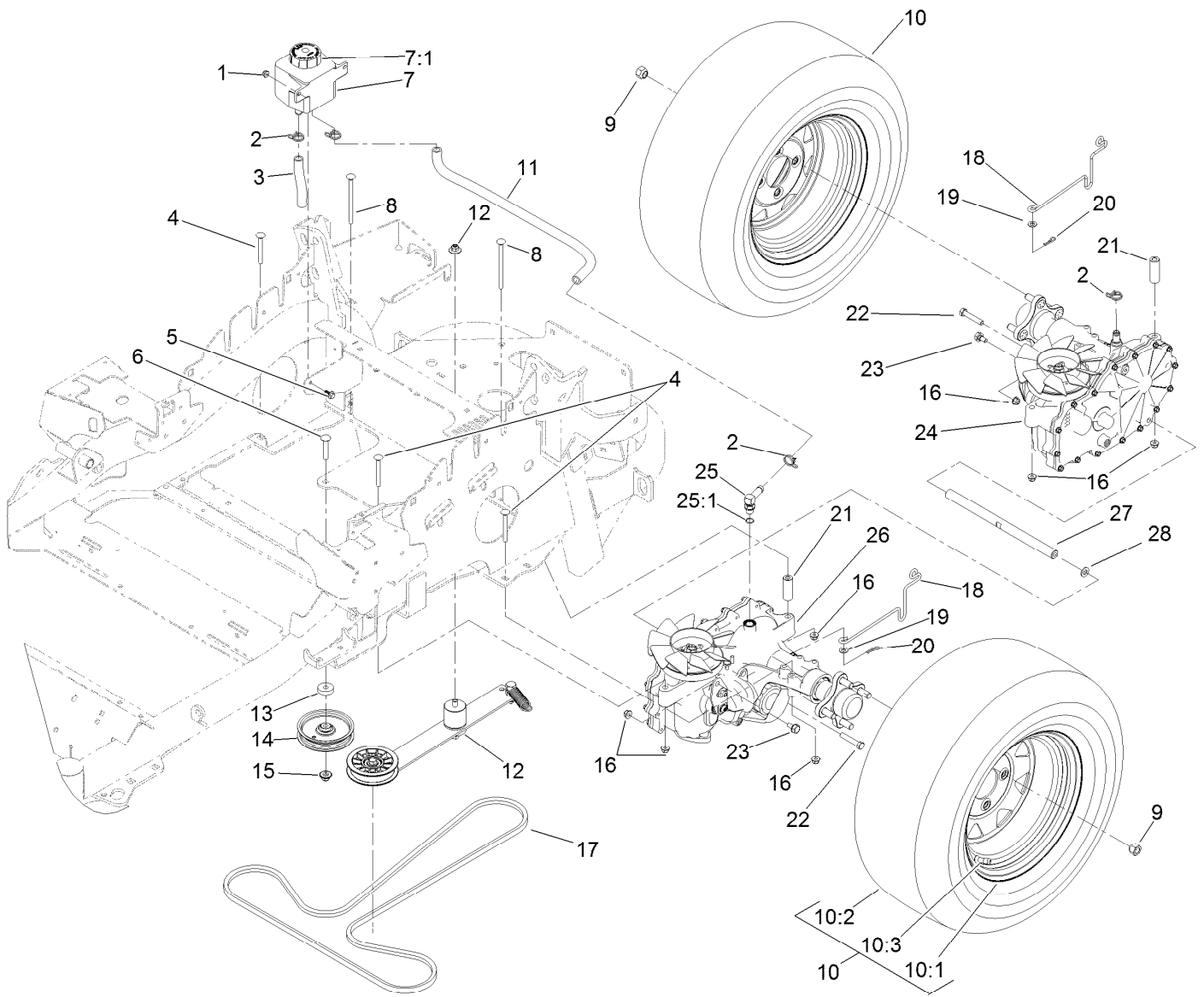


Caster Fork and Wheel Assembly

Ref.	Part Number	Qty.	Description
1	1-543509	2	Bearing-Roller, Tapered
2	1-543511	1	Seal-Grease
3	1-632511-01	1	Caster
4	1-633508	3	Washer-Bellville
5	103-5362	1	Wheel And Bearing ASM
5:1		1	Wheel And Tire ASM ●
5:1:2	1-633584	2	Bearing-Cup
5:2	103-3155	1	Axle-Caster

Ref.	Part Number	Qty.	Description
5:3	103-3051	2	Spacer-Nut
5:4	103-0063	2	Seal-Caster
5:5	1-633585	2	Bearing-Cone, Taper
6	103-4882	1	Cap-Grease
7	3296-51	1	Nut-Lock, NI
8	103-2768	2	Guard-Seal
9	325-36	1	Screw-HH
10	3296-23	1	Nut-Lock, NI

● Not serviced separately

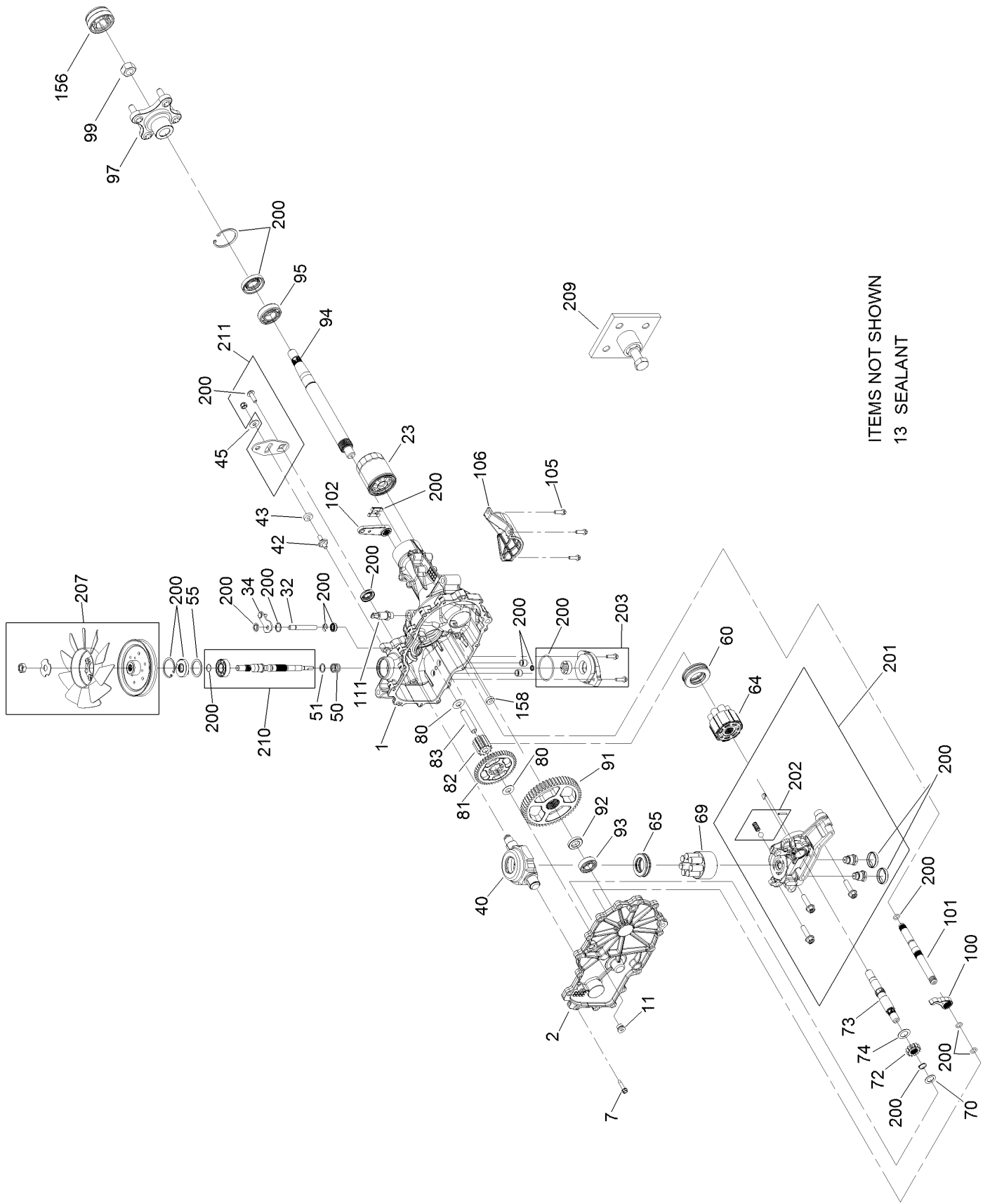


Hydro Drive System Assembly

Ref.	Part Number	Qty.	Description	Ref.	Part Number	Qty.	Description
1	104-7201	2	Nut-HF	14	93-1622	1	Pulley-Idler
2	117-1193	4	Clamp-Hose	15	109-6658	1	Nut-Flange, NI
3	119-2642	1	Hose-HYD	16	104-8300	10	Nut-Flange, NI
4	3230-9	6	Screw-CARR	17	114860	1	Belt-V
5	99-6810	2	Screw-HH	18	115-4990	2	Rod-Bypass
6	117-9971	1	Bolt-Carriage	19	3256-23	2	Washer-Flat
7	109-2250	1	Vent-Tank, Hydro	20	1-806003	2	Pin-Cotter, Hair
7:1	109-3320	1	Cap-Reservoir, HYD	21	109-3652	2	Spacer-Hydro
8	3230-30	2	Screw-CARR	22	94-7972	2	Screw-HH W/Loctite
9	242-50	8	Nut-Lug	23	37-8771	2	Bolt-Shoulder
10	119-2675	2	Wheel And Tire ASM	24	117-2610	1	RH Transaxle ASM
10:1	120-3273	1	Wheel	25	109-6449	1	Fitting-Elbow, 90
10:2	120-3270	1	Tire	25:1	237-42	1	O-Ring
10:3	232-27	1	Stem-Valve	26	117-2611	1	LH Transaxle ASM
11	119-2689	1	Hose-HYD	27	117-8585	1	Shaft-Cross, Hydro
12	119-2689	1	Hose-Idler Arm ASM ●	28	3256-24	1	Washer-Flat
13	105-7788	1	Spacer				

● Not serviced separately

RH Transaxle Assembly No. 117-2610



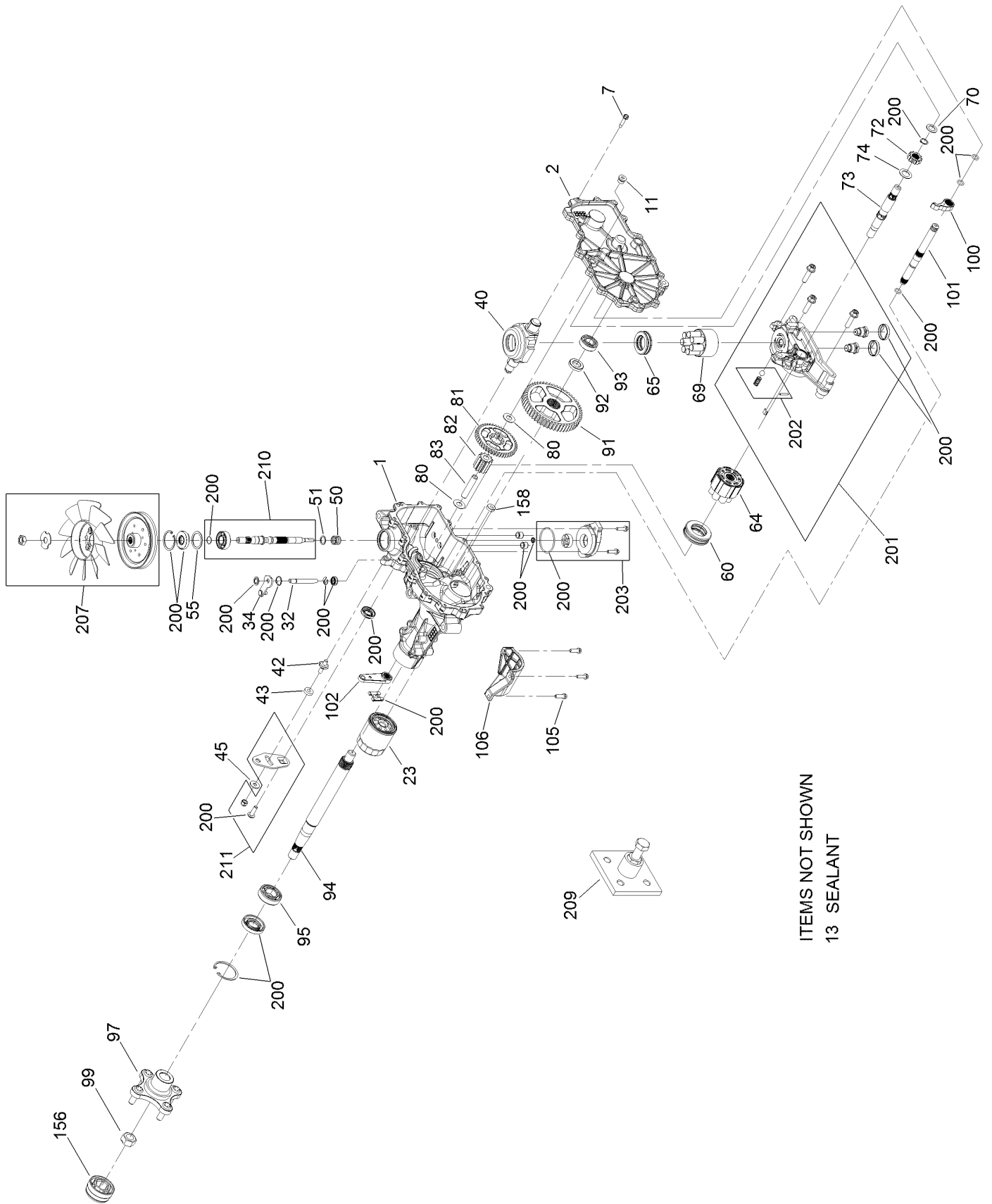
ITEMS NOT SHOWN
13 SEALANT

RH Transaxle Assembly No. 117-2610 (continued)

<i>Ref.</i>	<i>Part Number</i>	<i>Qty.</i>	<i>Description</i>	<i>Ref.</i>	<i>Part Number</i>	<i>Qty.</i>	<i>Description</i>
1	121-3231	1	RH Main Housing Kit	82	120-7974	1	Gear-11T
2	121-3232	1	RH Side Cover Kit	83	104-5329	1	Pin-Jackshaft
7	117-5359	16	Screw-HHF	91	121-3237	1	Gear-54T
11	104-2189	1	Plug-Thread, Straight	92	120-7975	1	Spacer
13	104-2147	1	Sealant ●	93	114-1696	1	Bearing-Ball
23	109-3321	1	Element-Oil Filter, HYD	94	121-3238	1	Shaft-Axle
32	114-1685	1	Rod-Bypass	95	104-2143	1	Bearing-Ball
34	107-2490	1	Arm-Bypass	97	109-5939	1	Hub Kit
40	104-5304	1	Swashplate-Trunnion	99	109-3536	1	Nut-Hub
42	104-2116	1	Stud	100	114-1697	1	Pawl-Brake
43	112-9853	1	Puck-Friction	101	120-7977	1	Brake Shaft Kit
45	114-8491	1	Washer	102	125-0021	1	Handle-Brake
50	120-5537	1	Spring-Compression	105	121-3242	3	Screw-HF
51	120-5538	1	Washer	106	120-7981	1	Guard-Filter, RH
55	104-5308	1	Spacer	111	109-3278	1	Adapter-Straight
60	109-2865	1	Bearing-Thrust	156	115-5057	1	Cover-Nut, Axle
64	114-1689	1	Motor Cylinder Block Kit	158	104-5330	1	Magnet-Ring
65	121-3235	1	Bearing-Thrust, Plastic Cage	200	121-3243	1	Seal Kit
69	121-3236	1	7 Piston Block ASM	201	121-3244	1	RH Center Section Kit
70	104-5339	1	Washer-Flat	202	114-8464	1	Charge Relief Kit
72	120-7972	1	Gear-13T	203	121-3246	1	Charge Pump Kit
73	114-1691	1	Shaft-Motor	207	121-3247	1	Fan And Pulley Kit
74	104-5360	1	Washer	209	114-8467	1	Hub-Puller, 4 Bolt
80	94-1933	2	Washer	210	121-3248	1	Input Shaft Kit
81	120-7973	1	Gear-46T	211	117-5362	1	Arm Control Kit

● Not illustrated

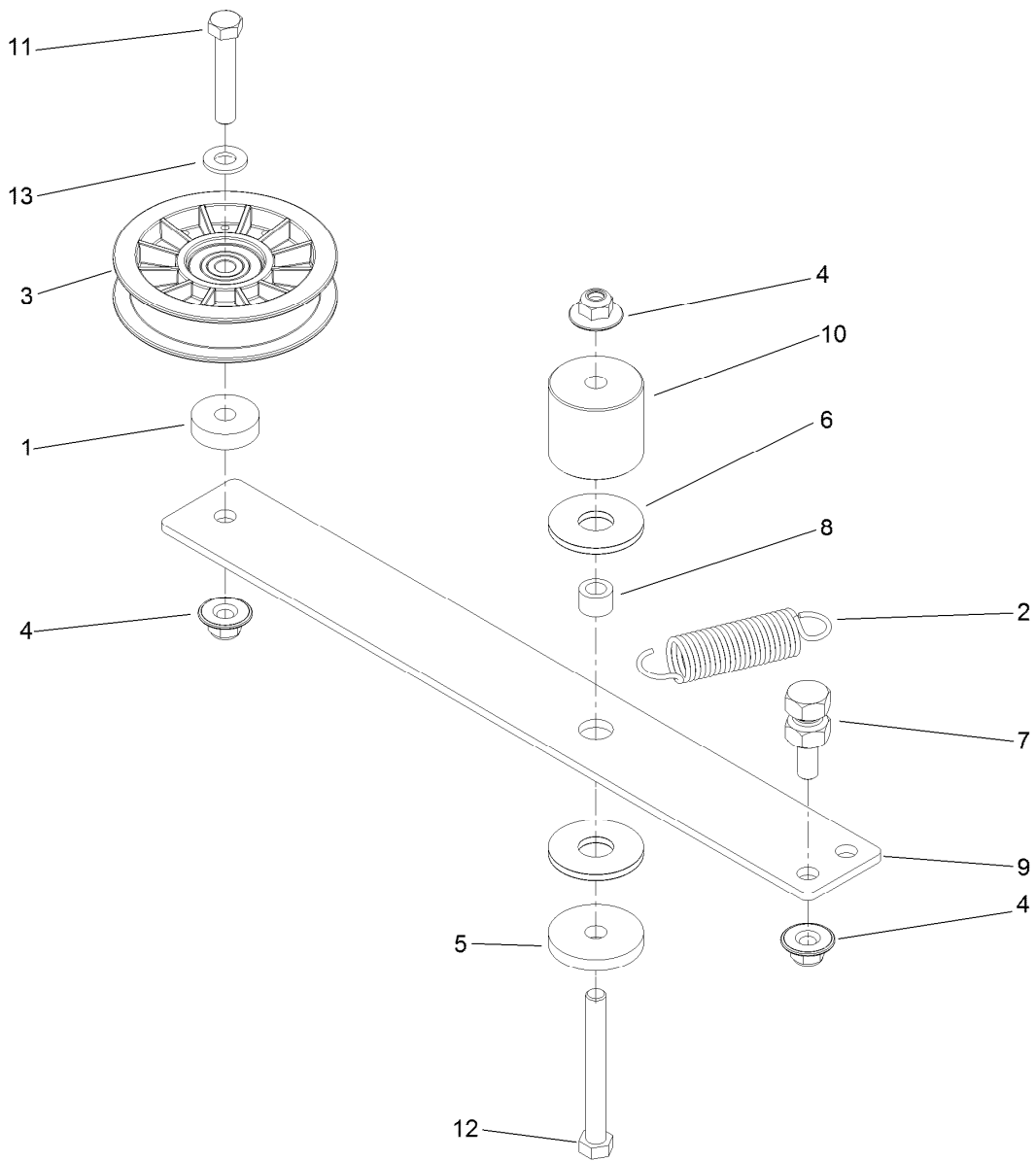
LH Transaxle Assembly No. 117-2611



ITEMS NOT SHOWN
13 SEALANT

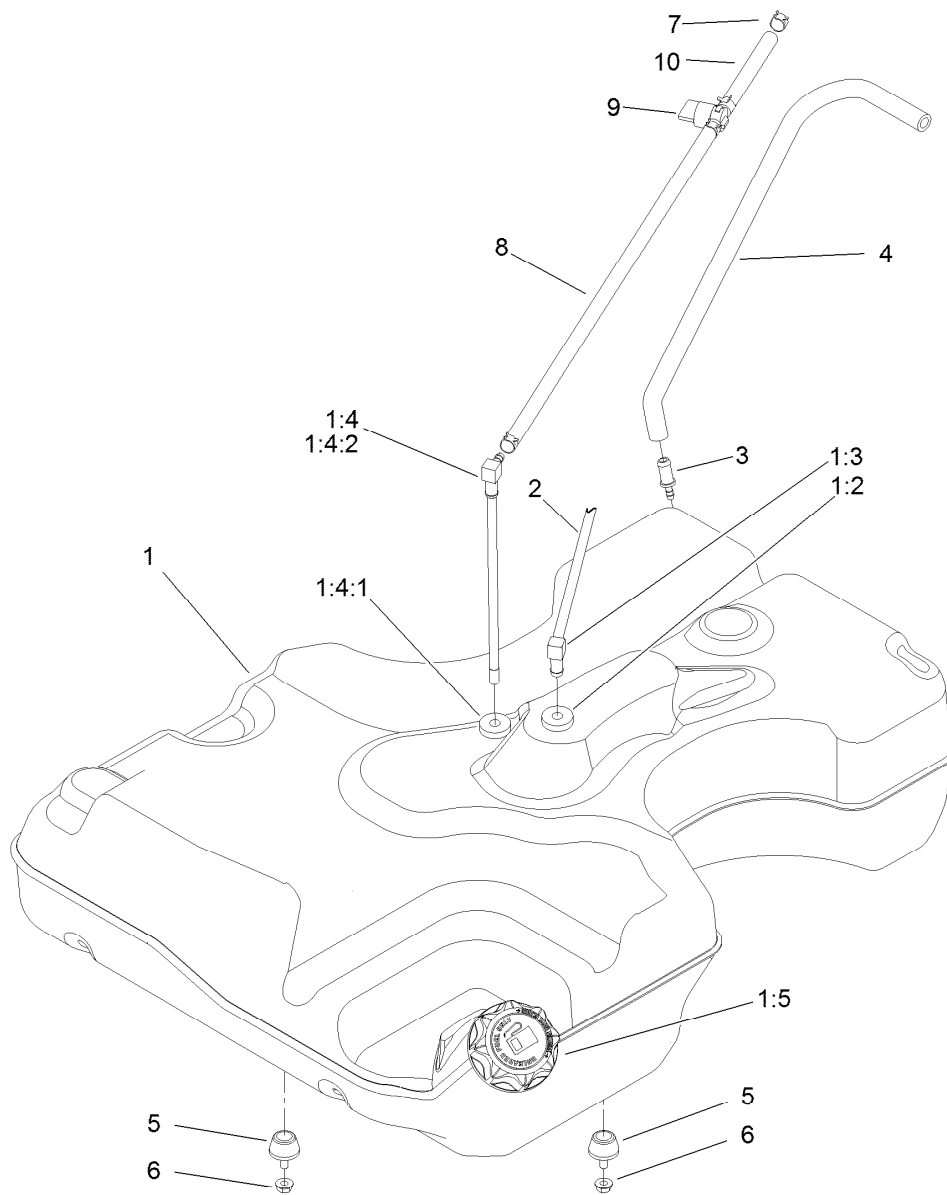
LH Transaxle Assembly No. 117-2611 (continued)

<i>Ref.</i>	<i>Part Number</i>	<i>Qty.</i>	<i>Description</i>	<i>Ref.</i>	<i>Part Number</i>	<i>Qty.</i>	<i>Description</i>
1	121-3233	1	LH Main Housing Kit	81	120-7973	1	Gear-46T
2	121-3234	1	LH Side Cover Kit	82	120-7974	1	Gear-11T
7	117-5359	16	Screw-HHF	83	104-5329	1	Pin-Jackshaft
11	104-2189	1	Plug-Thread, Straight	91	121-3237	1	Gear-54T
13	104-2147	1	Sealant	92	120-7975	1	Spacer
23	109-3321	1	Element-Oil Filter, HYD	93	114-1696	1	Bearing-Ball
32	114-1685	1	Rod-Bypass	94	121-3238	1	Shaft-Axle
34	107-2490	1	Arm-Bypass	95	104-2143	1	Bearing-Ball
40	104-5304	1	Swashplate-Trunnion	97	109-5939	1	Hub Kit
42	104-2116	1	Stud	99	109-3536	1	Nut-Hub
43	112-9853	1	Puck-Friction	100	114-1697	1	Pawl-Brake
45	114-8491	1	Washer	101	114-1698	1	Shaft-Inboard Brake
50	120-5537	1	Spring-Compression	102	125-0021	1	Handle-Brake
51	120-5538	1	Washer	105	121-3242	3	Screw-HF
55	104-5308	1	Spacer	106	120-7979	1	Guard-Filter, LH
60	109-2865	1	Bearing-Thrust	156	115-5057	1	Cover-Nut, Axle
64	114-1689	1	Motor Cylinder Block Kit	158	104-5330	1	Magnet-Ring
65	121-3235	1	Bearing-Thrust, Plastic Cage	200	121-3243	1	Seal Kit
69	121-3236	1	7 Piston Block ASM	201	121-3245	1	LH Center Section Kit
70	104-5339	1	Washer-Flat	202	114-8464	1	Charge Relief Kit
72	120-7972	1	Gear-13T	203	121-3246	1	Charge Pump Kit
73	114-1691	1	Shaft-Motor	207	121-3247	1	Fan And Pulley Kit
74	104-5360	1	Washer	209	114-8467	1	Hub-Puller, 4 Bolt
80	94-1933	2	Washer	210	121-3248	1	Input Shaft Kit
				211	117-5362	1	Arm Control Kit



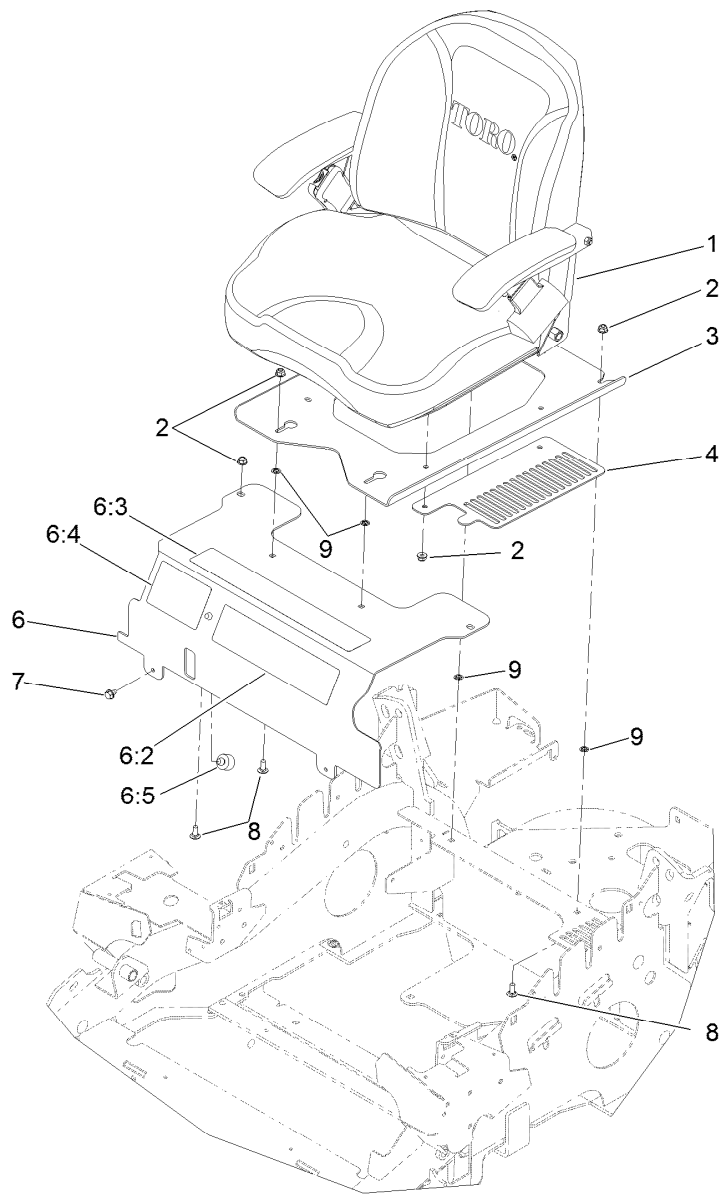
Hydro Idler Arm Assembly

<i>Ref.</i>	<i>Part Number</i>	<i>Qty.</i>	<i>Description</i>
1	105-7788	1	Spacer
2	108-4056	1	Spring-Extension
3	109-3397	1	Pulley-Idler, Flat
4	109-6658	3	Nut-Flange, NI
5	110-9981	1	Washer-Plain
6	114-0463	2	Washer-Friction, Composite
7	114-5866	1	Anchor-Spring, Short
8	115-4986	1	Spacer
9	119-9914	1	Arm-Idler, Hydro
10	119-2657	1	Spacer-Plain
11	323-10	1	Screw-HH
12	323-20	1	Screw-HH
13	3256-24	1	Washer-Flat



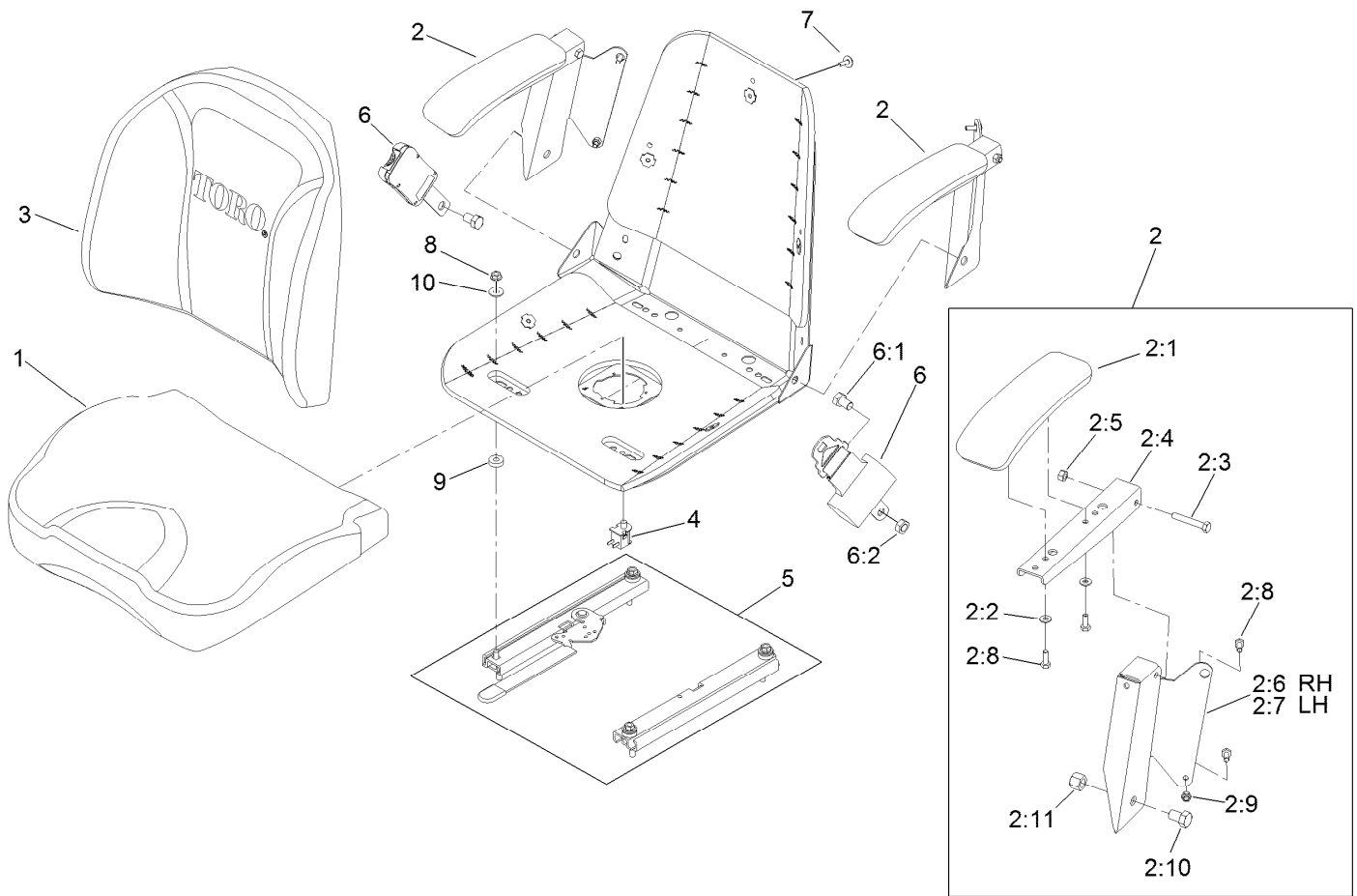
Fuel Tank and Hose Assembly

Ref.	Part Number	Qty.	Description	Ref.	Part Number	Qty.	Description
1	120-7879	1	Fuel Tank ASM	2	119-6074	1	Hose-Fuel
1:2	46-6560	2	Bushing	3	98-2952	1	Fitting-Straight
1:3	116-2288	1	Fitting-90 Elbow, 0.043 Orifice	4	119-8562	1	Hose-Fuel
1:4	120-7871	1	Fuel Line Kit	5	109-2365	2	Rubber Bumper ASM
1:4:1	46-6560	1	Bushing	6	32128-33	2	Nut-HF
1:4:2	119-8584	1	Fitting-Fuel (W/Line And Screen)	7	2412-98	4	Clamp-Hose
1:5	116-1704	1	Cap-Fuel, Ratcheting	8	110-5701	1	Hose-Fuel
				9	1-603770	1	Valve-Fuel
				10	109-0650	1	Hose-Fuel



Seat Mounting Assembly

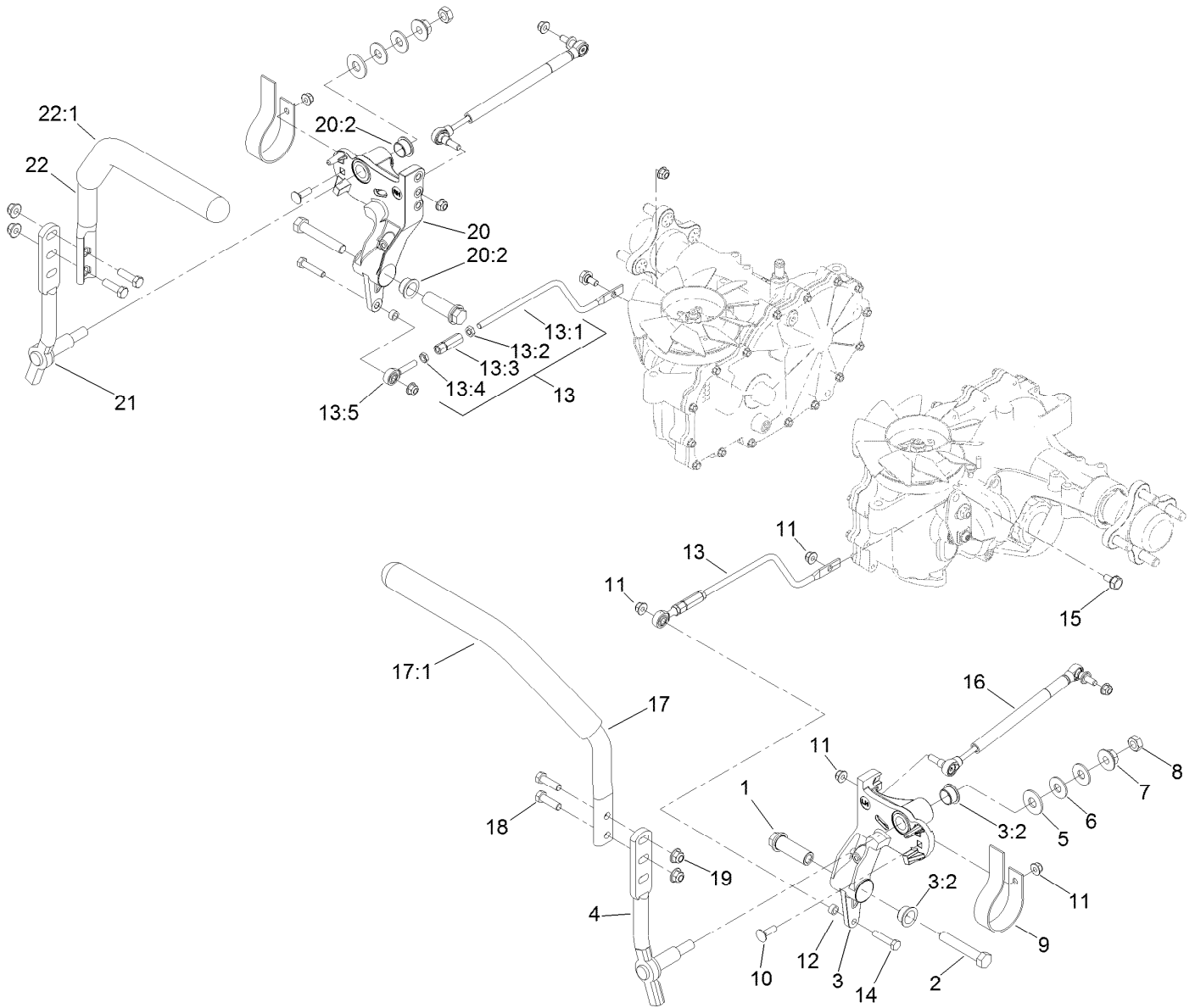
<i>Ref.</i>	<i>Part Number</i>	<i>Qty.</i>	<i>Description</i>
1	120-7886	1	Seat
2	104-8300	10	Nut-Flange, NI
3	117-8615-03	1	Plate-Mount, Seat
4	117-8618-03	2	Plate-Cover, Fan
6	119-2597	1	Seat Mount Panel ASM
6:2	114-5878	1	Decal
6:3	109-7069	1	Decal-Console
6:4	116-0211	1	Decal-Service Aid
6:5	120-7893	1	Bumper-Grommet
7	9266934	2	Screw
8	3230-23	6	Screw-CARR
9	117-2749	4	Nut-Push



Seat Assembly No. 120-7886

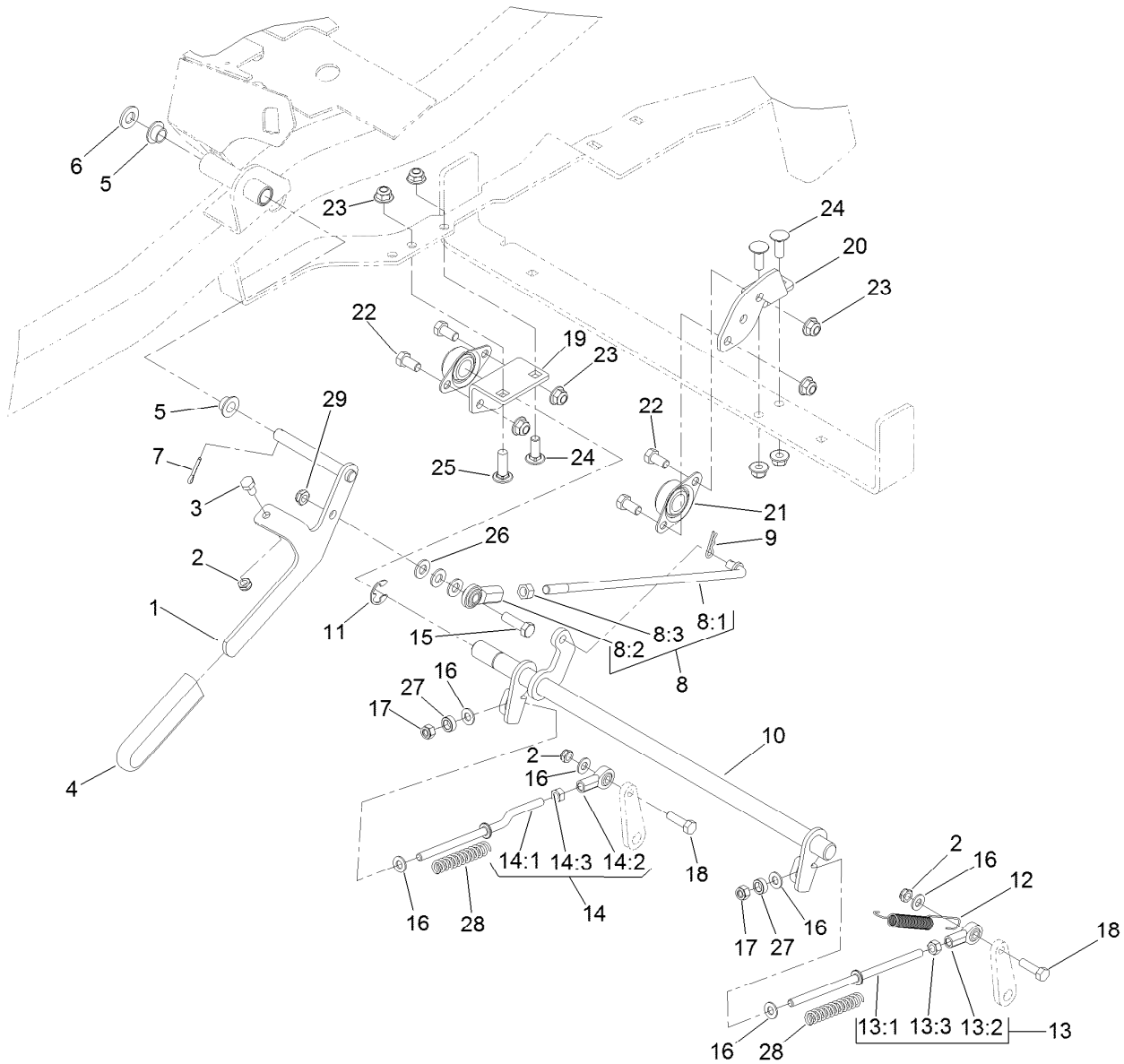
Ref.	Part Number	Qty.	Description
1	121-4751	1	Cushion-Seat, Bottom
2	110-5719	1	Armrest Kit
2:1	110-4163	2	Cushion-Rest, Arm
2:2	3256-22	4	Washer-Flat
2:3	322-10	2	Screw-HH
2:4	105-3623	2	Channel-Armrest
2:5	32153-3	2	Nut-Hex, Side Deform
2:6	105-3621	1	Bracket-Armrest, RH
2:7	105-3622	1	Bracket-Armrest, LH
2:8	321-30	8	Screw-HH
2:9	3296-42	4	Nut-Lock, NI
2:10	325-2	2	Screw-HH

Ref.	Part Number	Qty.	Description
2:11	3296-23	2	Nut-Lock, NI
3	121-4752	1	Cushion-Seat, Back
4	82-2190	1	Switch-Bail
5	121-4754	1	Track-Seat
6	116-2981	1	Seat Belt Kit
6:1	325-2	2	Screw-HH
6:2	3296-23	2	Nut-Lock, NI
7	103-8383	7	Bolt-Seat
8	32128-20	4	Nut-HF
9	26-4840	8	Spacer-Pin, Mounting
10	3256-3	6	Washer-Flat



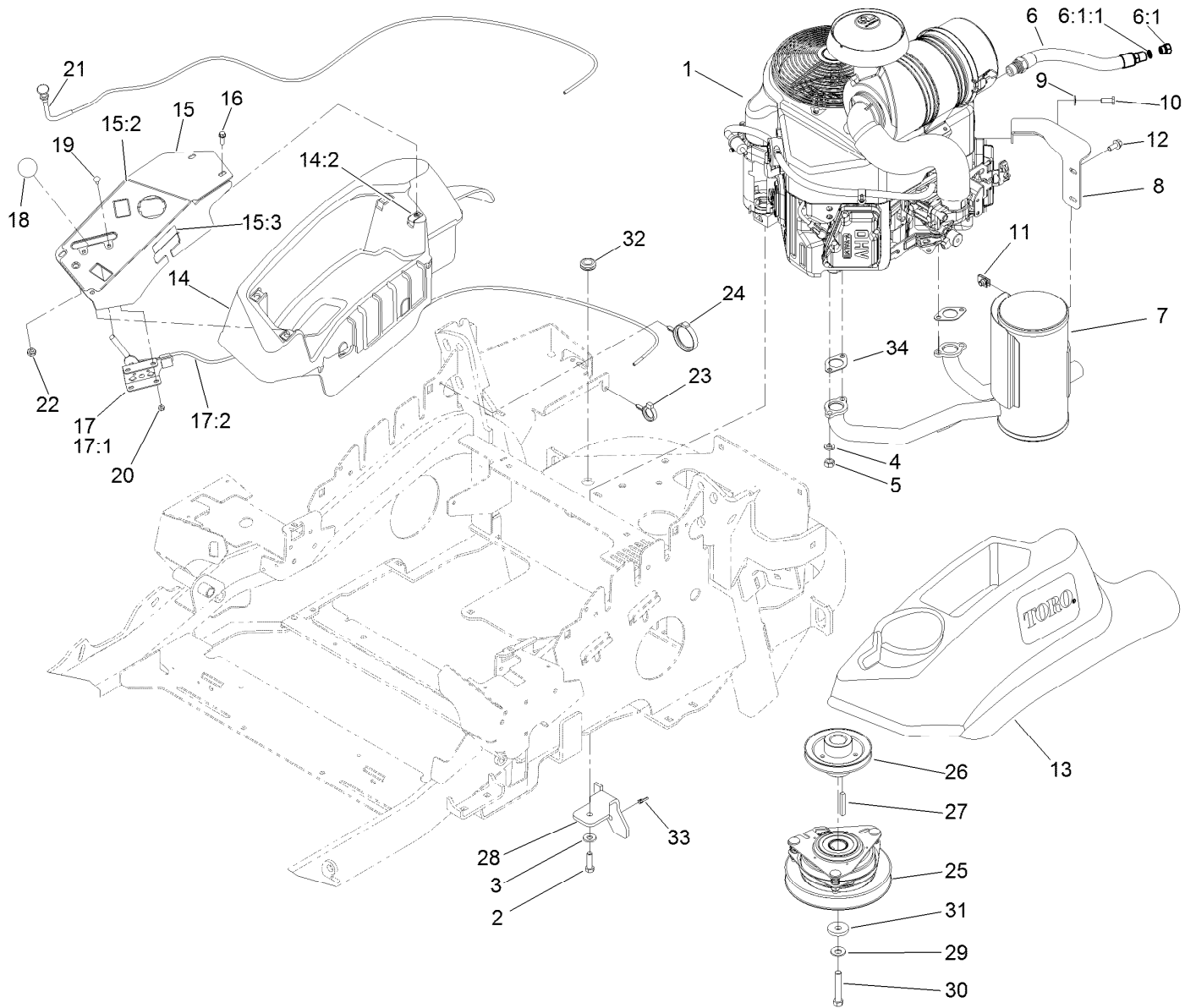
Motion Control Assembly

Ref.	Part Number	Qty.	Description	Ref.	Part Number	Qty.	Description
1	109-5891	2	Hub-Threaded	13:3	109-3728	1	Nut-Rod Adjustment
2	325-12	2	Screw-HH	13:4	3220-20	1	Nut-Jam
3	116-0881	1	LH Motion Control And Bushing ASM	13:5	2411-53	1	Bearing-Rod End, LH
3:2	109-8054	4	Bushing-Flange	14	322-7	2	Screw-HH
4	116-0040	1	Lever-Control Motion, LH	15	37-8771	2	Bolt-Shoulder
5	3256-6	2	Washer-Flat	16	116-0027	2	Damper-Control, Motion
6	109-9505	4	Washer-Spring	17	109-6590	1	LH Steering Handle ASM
7	32128-56	2	Nut-HF	17:1	109-5668	1	Grip-Control, Lever
8	3218-5	2	Nut-Jam	18	323-7	4	Screw-HH
9	109-5575	2	Spring-Leaf	19	104-8301	4	Nut-Flange, NI
10	3230-2	2	Bolt-CARR	20	116-0880	1	RH Motion Control And Bushing ASM
11	104-8300	10	Nut-Flange, NI	20:2	109-8054	4	Bushing-Flange
12	92-6998	2	Spacer-Yoke, Right	21	116-0039	1	Lever-Control Motion, RH
13	119-2605	2	Hydro Control Rod ASM	22	109-6589	1	RH Steering Handle ASM
13:1	119-2606	1	Rod-Control, Hydro	22:1	109-5668	1	Grip-Control, Lever
13:2	3220-2	1	Nut-Jam				



Parking Brake Assembly

Ref.	Part Number	Qty.	Description	Ref.	Part Number	Qty.	Description
1	121-4766-03	1	Brake Handle ASM	14	121-4806	1	RH Brake Rod ASM
2	3296-47	3	Nut-Lock, NI	14:1	121-4770	1	Rod-Brake
3	322-1	1	Screw-HH	14:2	1-543017	1	Balljoint-RH
4	1-633268	1	Grip-Lever	14:3	3219-2	1	Nut-Hex
5	1-513140	2	Bearing-Control	15	323-7	1	Screw-HH
6	106-9888	1	Washer-Flat	16	3256-23	6	Washer-Flat
7	3272-10	1	Pin-Cotter	17	3296-4	2	Nut-Lock
8	121-4807	1	Brake Link ASM	18	322-16	2	Screw-HH
8:1	121-4795	1	Rod-Link, Brake	19	121-4761-01	1	Bracket-Shaft Mount, RH
8:2	103-0608	1	Joint-Ball, End	20	121-4793-01	1	Bracket-Shaft Mount, LH
8:3	3219-3	1	Nut-Hex	21	1-633102	2	Bearing-Flange, Side
9	3290-307	3	Pin-Hair	22	323-4	4	Screw-HH
10	121-4804-03	1	Brake Shaft ASM	23	104-8301	8	Nut-Flange, NI
11	32151-48	1	E-Ring	24	3231-22	3	Screw-CARR
12	110769	1	Spring-Extension	25	3231-28	1	Screw-CARR
13	121-4805	1	LH Brake Rod ASM	26	3256-24	3	Washer-Flat
13:1	121-4755	1	Rod-Brake	27	103-5677	2	Spacer
13:2	1-543017	1	Balljoint-RH	28	1-603807	2	Spring-Return, Neutral
13:3	3219-2	1	Nut-Hex	29	3296-59	1	Nut-Lock, NI

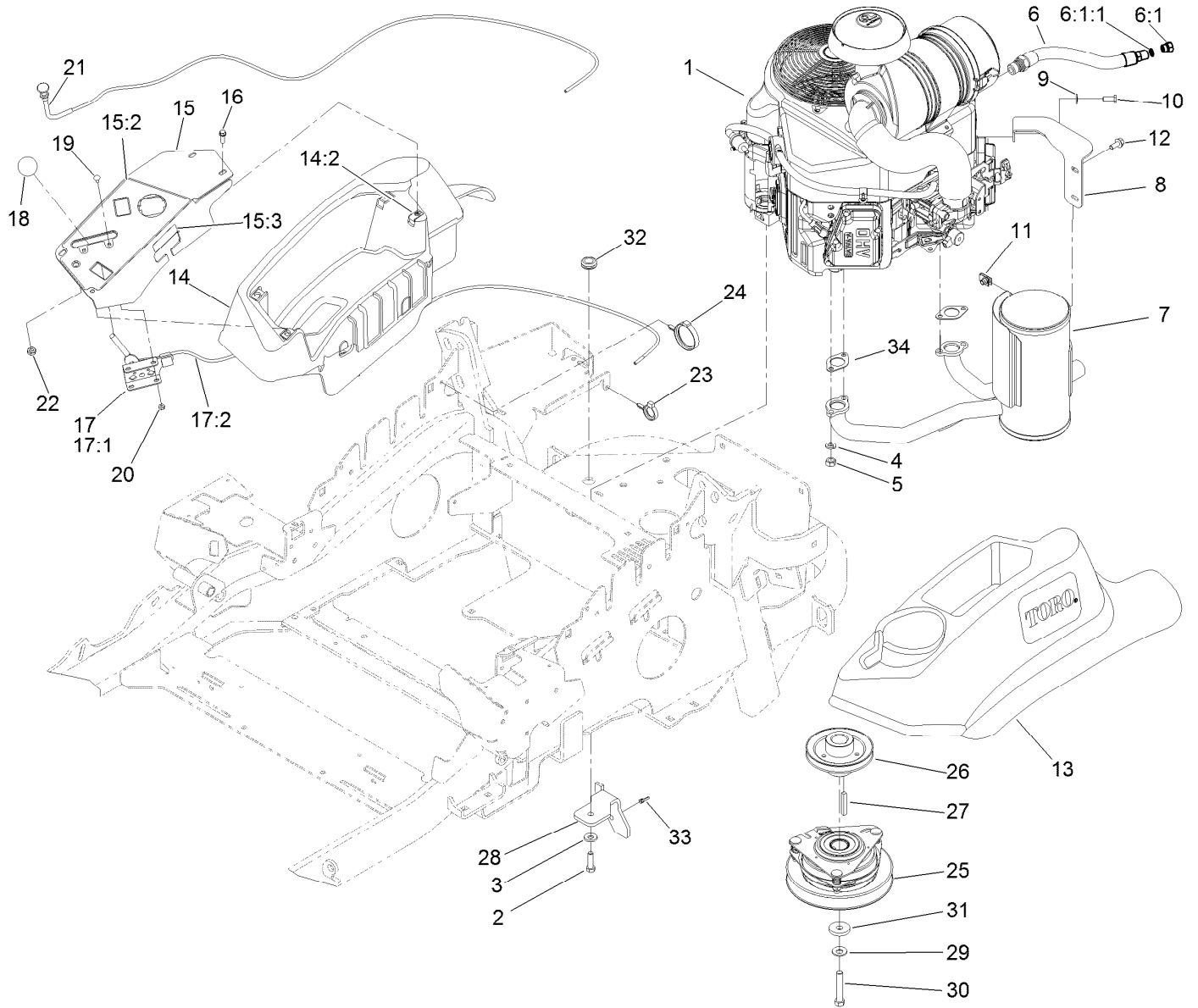


Engine, Muffler and Control Panel Assembly

Ref.	Part Number	Qty.	Description	Ref.	Part Number	Qty.	Description
1		1	Engine-Kawasaki, Fx691 ● ■	15:2	119-2501	1	Decal-Panel, Control
2	323-7	4	Screw-HH	15:3	114-4466	1	Decal-Fuses
3	98-5975	4	Washer-Belleville	16	32105-15	4	Screw
4	114-3550	4	Washer-Lock, Spring	17	110-5727	1	Throttle Control ASM
5	114-3549	4	Nut	17:1	112-2334	1	Lever-Throttle
6	116-4924	1	Engine Oil Drain Hose ASM	17:2	110-5728	1	Cable-Throttle
6:1	353-508	1	Plug-HH	18	1-603175	1	Knob-Ball
6:1:1	237-42	1	O-Ring	19	1-807513	2	Bolt-CARR
7	119-2645	1	Muffler	20	3296-2	2	Nut-Lock, NI
8	119-2659	1	Bracket-Muffler	21	115-2753	1	Choke Control ASM
9	1-303334	1	Washer-Spring	22	3220-3	1	Nut-HJ
10	33114-020	1	Screw-HH	23	105-1853	1	Clamp-Hose
11	94-2413	2	U-Nut	24	117-7817	1	Clamp-Harness
12	3234-5	2	Screw-HHF	25	119-2595	1	Clutch
13	119-2602	1	Console-LH	26	119-9915	1	Pulley-Engine
14	119-2603	1	RH Console ASM	27	608006	1	Key-Square
14:2	107069	4	Clip	28	119-2658-01	1	Bracket-Stop, Clutch
15	119-2694	1	Control Panel ASM	29	1-603610	1	Washer-Spring

● Not serviced separately

■ Obtain parts from www.kawpowerpc.com



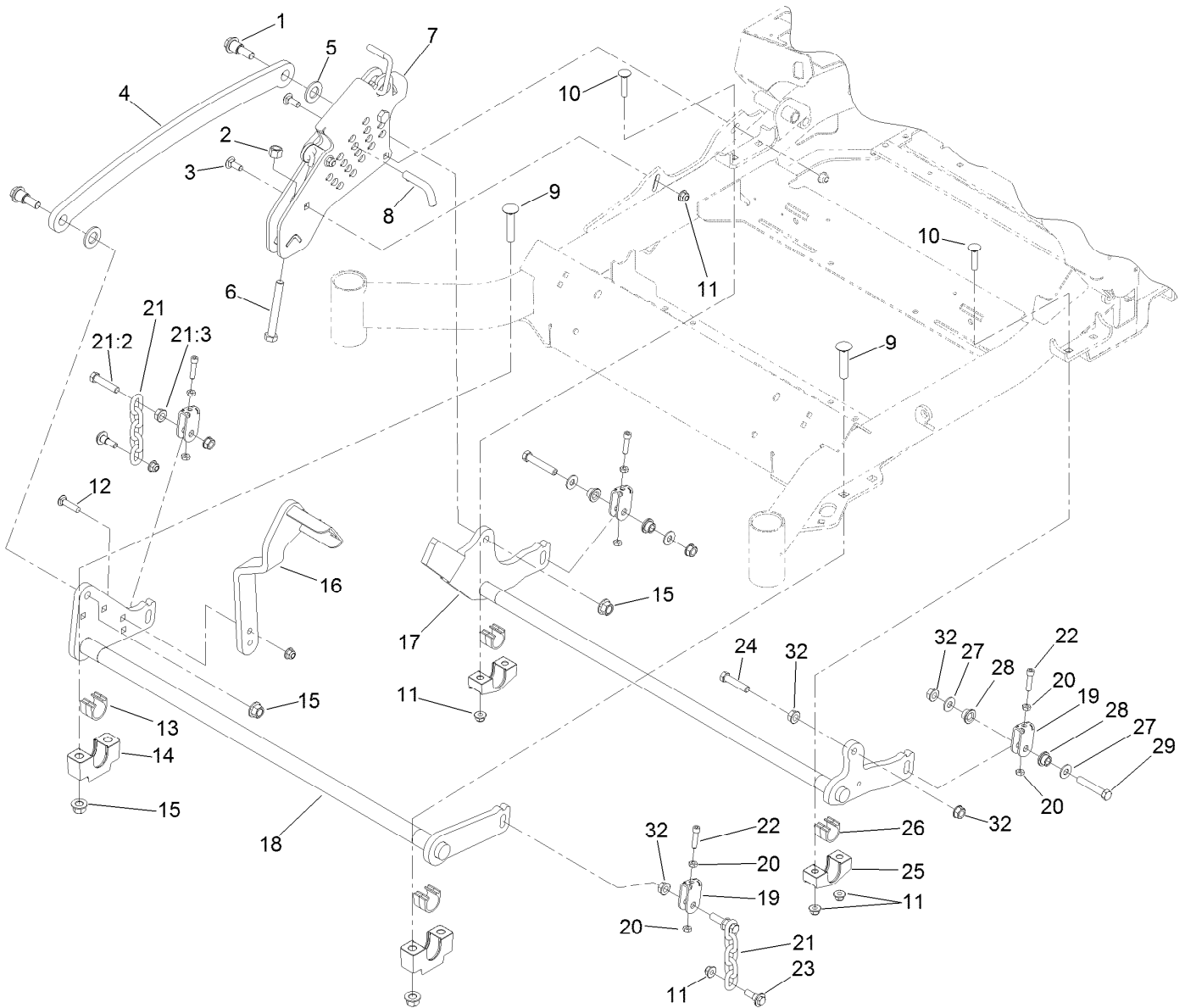
Engine, Muffler and Control Panel Assembly (continued)

Ref.	Part Number	Qty.	Description
30	3212-10	1	Screw-HH
31	107-4136	1	Washer
32	112-7069	1	Grommet

Ref.	Part Number	Qty.	Description
33	1-303287	1	Tie-Cable
34	1-653313	2	Gasket-Exhaust

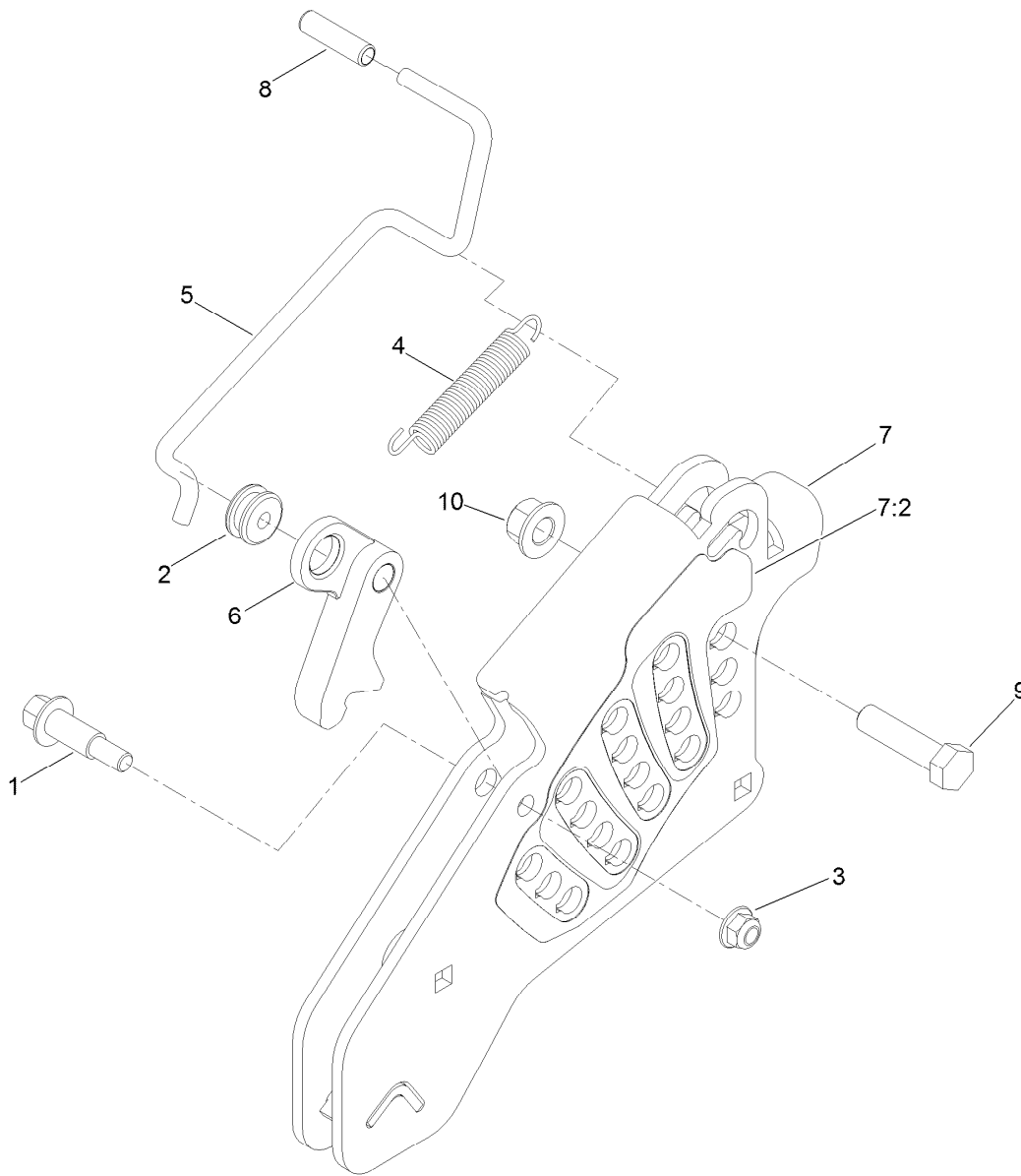
● Not serviced separately

■ Obtain parts from www.kawpowerpc.com



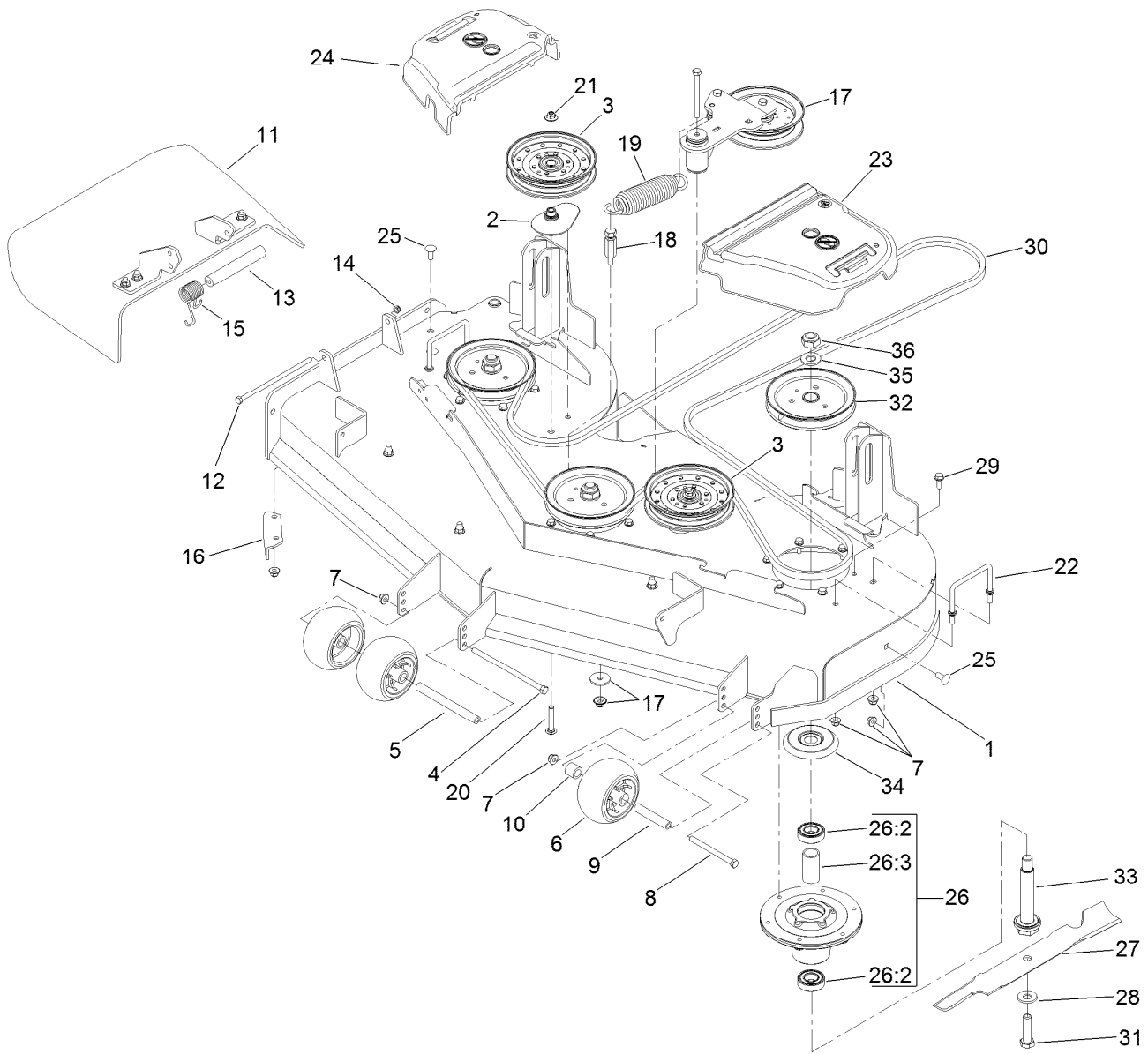
Deck Lift Assembly

Ref.	Part Number	Qty.	Description	Ref.	Part Number	Qty.	Description
1	116-0780	2	Screw-HHF, Shoulder	17	116-0459-03	1	Lift-Deck, Rear
2	3296-23	1	Nut-Lock, NI	18	116-2217-03	1	Front Cross Shaft ASM
3	3231-2	2	Bolt-CARR	19	109-9066	4	Yoke-Adjust, Deck
4	116-0797-03	1	Link-Lift, Deck	20	3218-2	8	Nut-Jam
5	3256-28	2	Washer-Flat	21	116-0756	2	Deck Lift Chain ASM
6	116-0559	1	Bolt-TAP	21:2	109-9065	1	Screw-HH
7	120-2530	1	Height Of Cut ASM	21:3	32128-37	1	Nut-HF
8	116-5584	1	Pin-HOC	22	3274-18	4	Screw-HSH
9	116-1700	4	Bolt-CARR	23	109-9840	2	Screw-Shoulder, HHF
10	3231-5	4	Screw-CARR	24	109-9065	1	Screw-HH
11	104-8301	10	Nut-Flange, NI	25	116-0818-03	2	Support-Cross Shaft, Rear Bearing
12	3231-4	2	Screw-CARR	26	109-7173	2	Bearing-Cross Shaft, Rear
13	109-9410	2	Bearing-Cross Shaft, Front	27	3256-4	4	Washer-Flat
14	109-9409	2	Support-Cross Shaft, Front Bearing	28	116-2428	4	Bushing, Flanged
15	99-5107	6	Nut-Lock	29	324-10	2	Screw-HH
16	116-1919-01	1	Lever-Foot	32	32128-37	6	Nut-HF



Height-of-Cut Assembly No. 120-2530

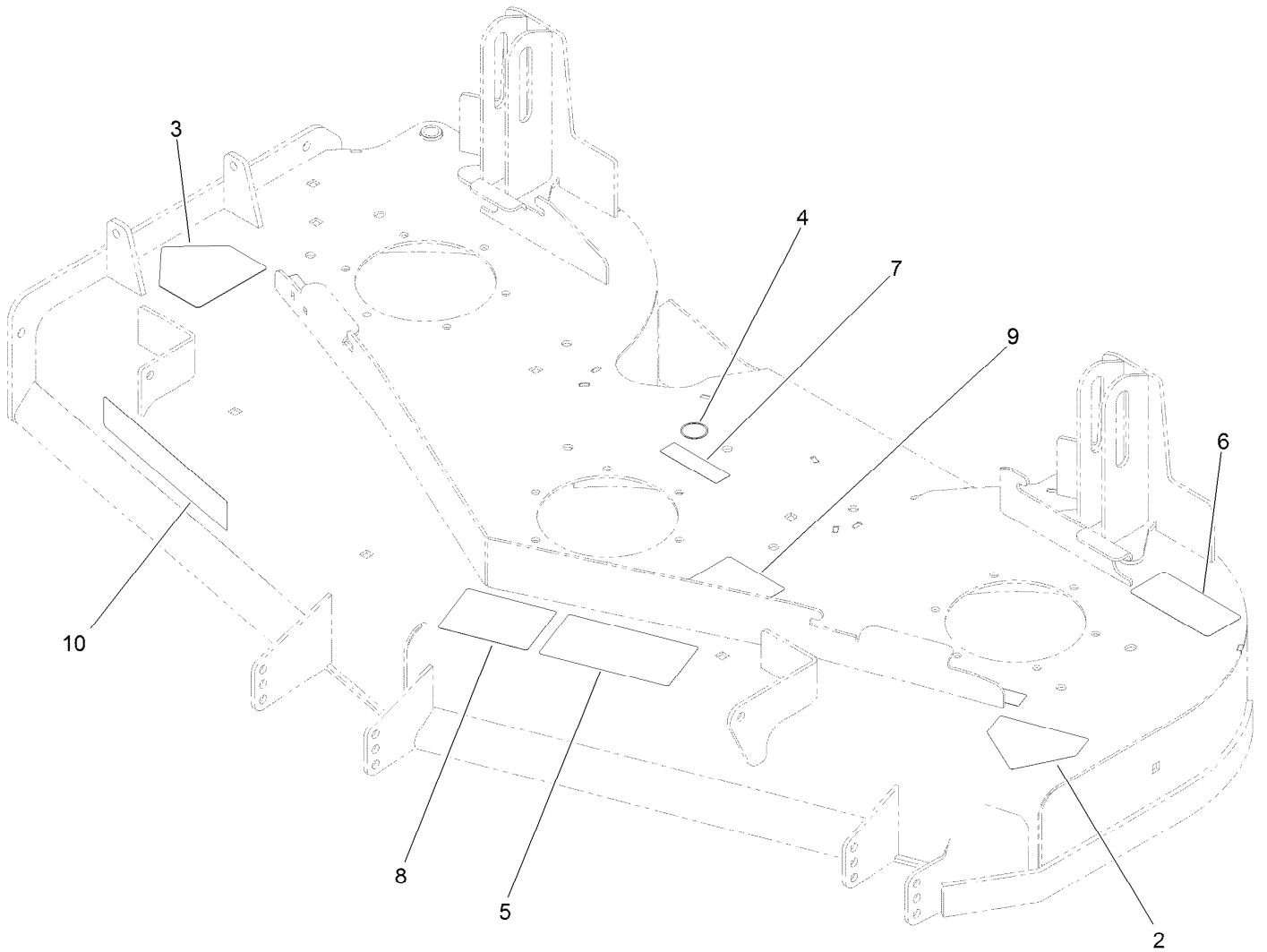
<i>Ref.</i>	<i>Part Number</i>	<i>Qty.</i>	<i>Description</i>
1	62-1330	1	Bolt-Shoulder
2	109-7130	1	Grommet
3	104-8301	1	Nut-Flange, NI
4	109-7124	1	Spring-Extension
5	109-7128	1	Rod-Lock, Transport
6	116-0118	1	Pawl-Transport, HOC
7	120-2531	1	HOC Plate ASM
7:2	120-2532	1	Decal-Height Of Cut
8	109-8250	1	Grip-Lever
9	325-8	1	Screw-HH
10	99-5107	1	Nut-Lock



Deck Assembly

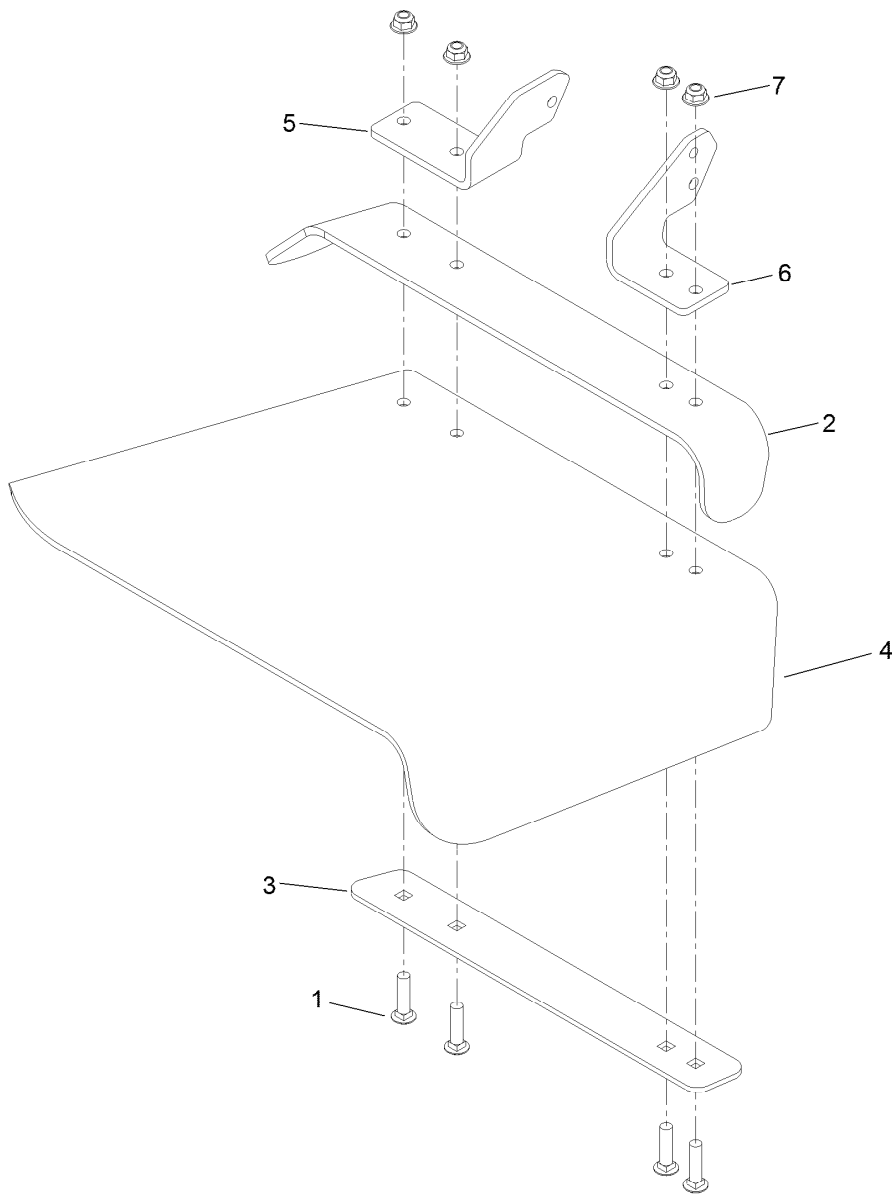
Ref.	Part Number	Qty.	Description	Ref.	Part Number	Qty.	Description
1	120-2351	1	Deck Decal ASM	20	3231-40	2	Bolt-CARR, Short Neck
2	109-2872	2	Spacer-Pulley	21	109-6658	2	Nut-Flange, NI
3	116-4670	2	Pulley-Idler, Flat	22	109-6982	2	Wireform-Cover
4	108-5388	1	Screw-HH	23	109-6936	1	Cover-Belt, LH
5	98-5967	1	Spacer-Wheel	24	109-6935	1	Cover-Belt, RH
6	1-603299	3	Roller-Scalp, Anti	25	3231-27	6	Screw-CARR
7	104-8301	13	Nut-Flange, NI	26	120-5477	3	Spindle ASM
8	323-23	1	Screw-HH	26:2	116-0720	2	Bearing-Ball
9	98-7912	1	Tube-Spanner	26:3	115-2641	1	Spacer-Bearing
10	98-7913	1	Tube-Spacer	27	120-2379-03	3	Blade-Hi Flow, 18In
11	120-2451	1	Deflector ASM	28	22-8520	3	Washer-Belleville
12	322-50	1	Screw-HH	29	32144-41	18	Screw-Taptite
13	105-4622	1	Spacer	30	120-2410	1	Belt-V
14	3296-47	1	Nut-Lock, NI	31	51-4060	3	Screw-Blade
15	108-4052	1	Spring-Torsion	32	120-7855	3	Pulley
16	107-8541-01	1	Baffle-Discharge	33	120-2505	3	Spindle-Shaft
17		1	Idler Arm ASM ●	34	117-7210	3	Shield-Bearing
18	114-5867	1	Anchor-Spring, Tall	35	92-5836	3	Washer
19	116-0133	1	Extension-Spring	36	3296-67	3	Nut-Lock, NI

● Not serviced separately



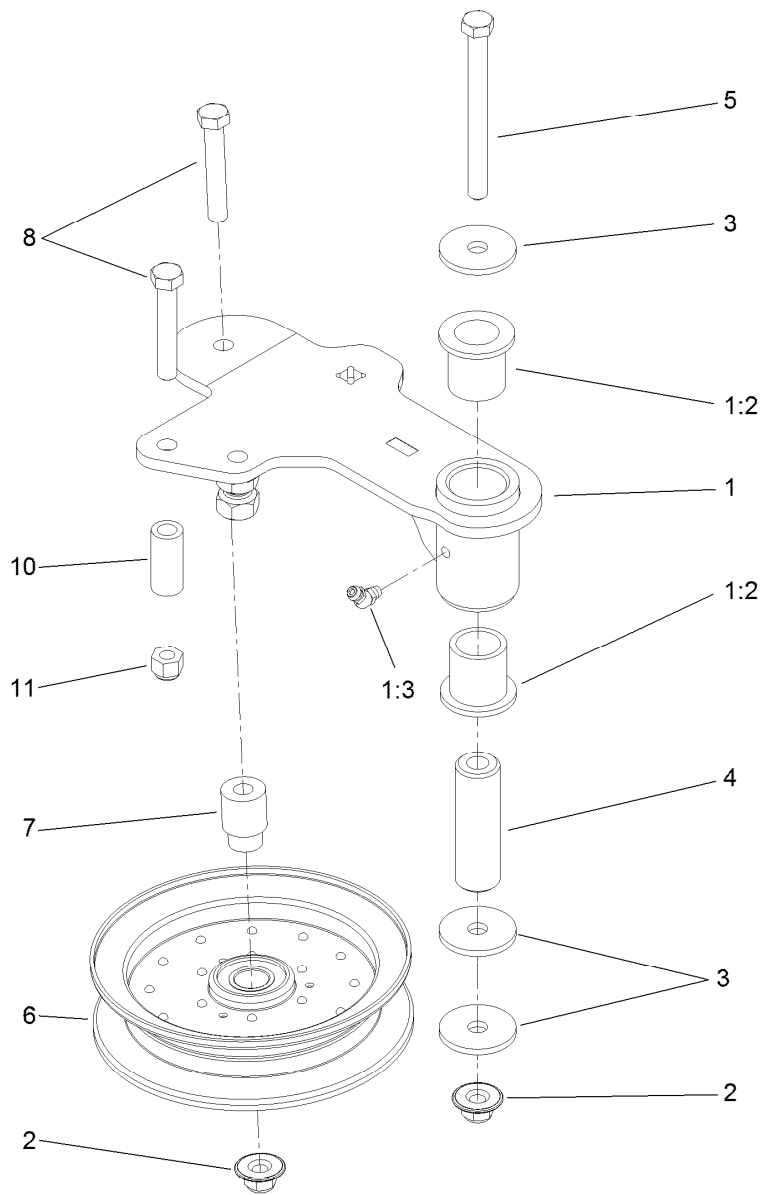
Deck Decal Assembly No. 120-2351

<i>Ref.</i>	<i>Part Number</i>	<i>Qty.</i>	<i>Description</i>
2	1-403005	1	Decal-Danger
3	54-9220	1	Decal-Danger
4	58-6520	1	Decal-Grease
5	66-1340	1	Decal-Danger, Thrown Object
6	68-8340	1	Decal-Torque
7	98-5954	3	Decal-Cover, Missing
8	112-3858	1	Decal-Anti Scalp
9	117-8639	1	Decal-Routing, Deck Belt
10	121-3205	1	Decal



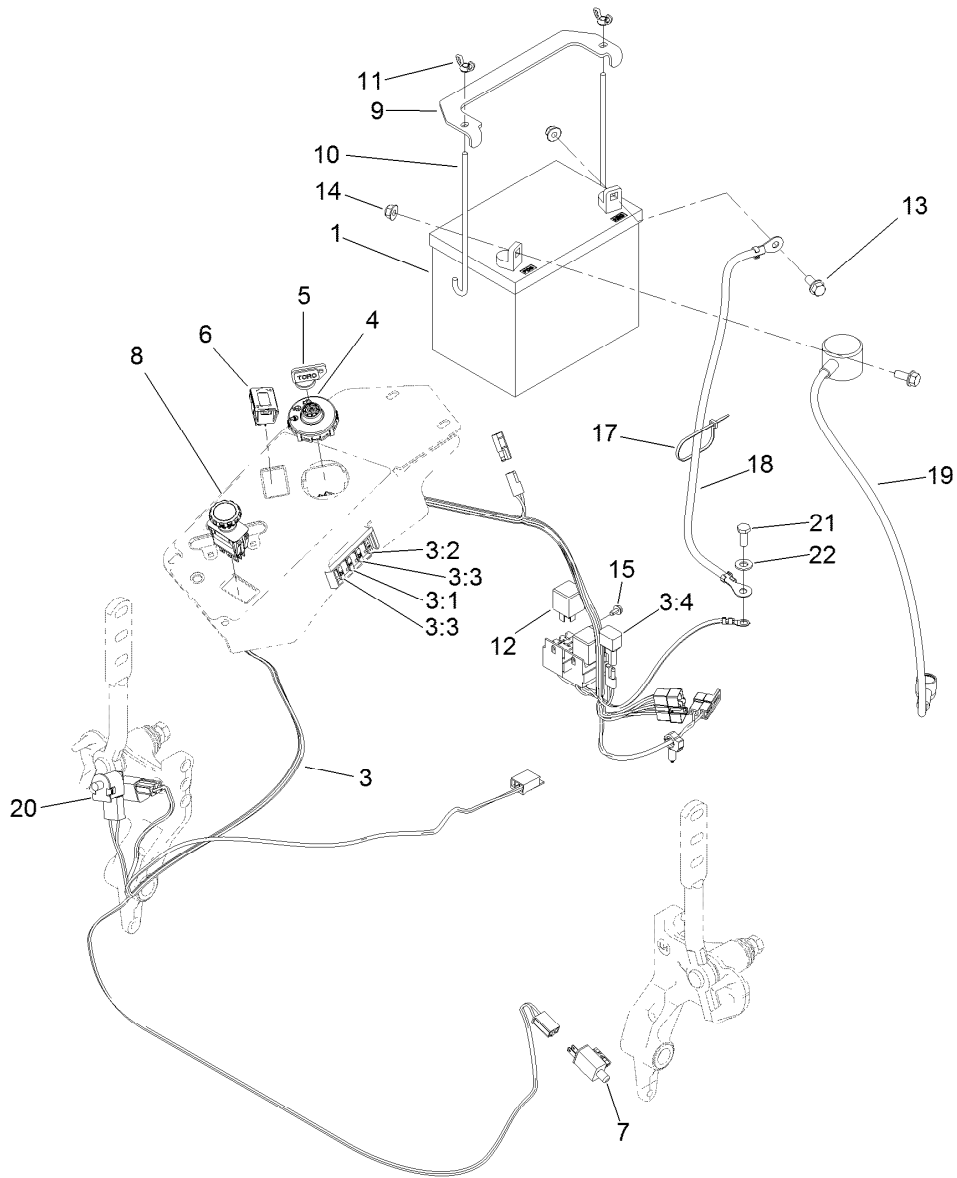
Deflector Assembly No. 120-2451

<i>Ref.</i>	<i>Part Number</i>	<i>Qty.</i>	<i>Description</i>
1	3231-4	4	Screw-CARR
2	106-3246-01	1	Deflector
3	106-3248-03	1	Strap-Discharge
4	110-0759	1	Deflector-Rubber
5	108-4059-01	1	Plate-Hinge, Rear
6	106-3253-01	1	Plate-Hinge, Front
7	104-8301	4	Nut-Flange, NI



Idler Assembly

<i>Ref.</i>	<i>Part Number</i>	<i>Qty.</i>	<i>Description</i>
1	120-2501	1	Idler Arm ASM
1:2	1-303514	2	Bearing-Flanged
1:3	1481	1	Fitting-Grease
2	109-6658	2	Nut-Flange, NI
3	1-213069	3	Washer
4	114-5848	1	Spacer-Plain
5	98-5961	1	Screw-HH
6	116-4668	1	Idler-Pulley, Flanged
7	112-4212	1	Mount-Pulley
8	323-11	2	Screw-HH
10	104-0151	1	Spacer
11	3296-39	1	Nut-Lock, NI



Electrical Assembly

<i>Ref.</i>	<i>Part Number</i>	<i>Qty.</i>	<i>Description</i>	<i>Ref.</i>	<i>Part Number</i>	<i>Qty.</i>	<i>Description</i>
1	104-8162	1	Battery	10	1-633651	2	Bolt-Holddown
3	117-2582	1	Harness-Wire	11	1-543792	2	Wingnut
3:1	218-578	1	Fuse-Blade, 10 Amp	12	1-643275	2	Relay
3:2	109355	1	Fuse-Blade, 15 Amp	13	3234-5	2	Screw-HHF
3:3	109102	2	Fuse-Blade, 25 Amp	14	104-8300	2	Nut-Flange, NI
3:4	116-0053	1	Cap-Plug	15	104-2065	1	Screw-HWH
4	117-2221	1	Switch-Ignition	17	1-303287	3	Tie-Cable
5	63-8360	1	Key-Ignition (W/Shield)	18	114-1218	1	Cable-Battery, Negative
6	120-2244	1	Hourmeter	19	115-3864	1	Cable-Battery, Positive
7	110-6765	2	Switch-Single Pole No	20	82-2190	1	Switch-Bail
8	116-0124	1	Switch-PTO, 10A	21	33114-020	1	Screw-HH
9	116-0042-03	1	Strap-Tie Down, Battery	22	33094-00	1	Washer-Plain

Attachments and Accessories

For 74143 Z Master Riding Mower with 52in TURBO FORCE Side Discharge Mower

Product Name	Model/Part
Hypr-Oil 500 (quart)	114-4713
Hypr-Oil 500 (gallon).....	114-4714
Hypr-Oil 500-5 (5 gallon).....	114-4715
Bimini Folding Shade Assembly	115-4510
Light Kit.....	116-1154
Operator-Controlled Discharge Chute Kit	117-3600
Blade-hi Flow, 18in	120-2379-03
Recycler Kit	120-2402
Blade-mulch, 18in.....	120-2408-03
Z Stand Kit.....	121-4811
Deluxe Seat Kit.....	121-4812
Toro Deluxe Rider Cover.....	490-7319
Spark Arrestor Screen	75-6880
E-Z VAC Twin Soft Bagger.....	78569
E-Z Vac Blower and Drive Kit.....	78572
Filter Minder Gauge	99-4664
Trash Holder Kit.....	TC26



Count on it.