

TORO®

MODEL NO. 07303

INSTALLATION INSTRUCTIONS

FOLD DOWN SIDE KIT For Workman 3000 Series

Helping you put quality into play.™

INSTALLATION

1. Loosely mount (2) latch assemblies to left and right side panels as shown in figure 1. Secure each latch to side panel with (2) 5/16-18 x 5/8" lg. carriage bolts and flange (Whiz Lok) locknuts. End of latch to be inserted through slot in side panel channel.

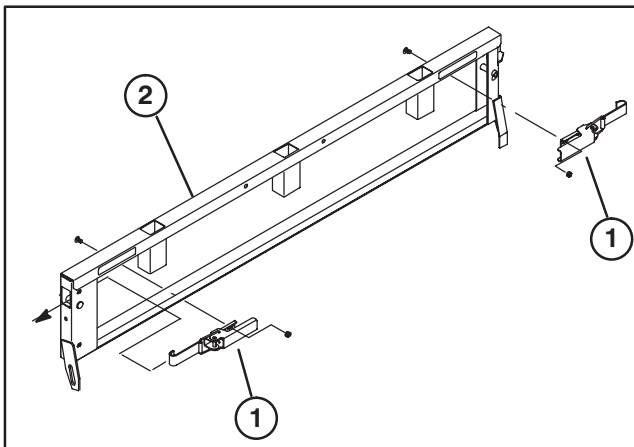


Figure 1

1. Latch assembly
2. Right side panel

2. Mount front panel to top and end of bed with (5) 5/16-18 x 7/8" lg. capscrews and flange (Toplok) locknuts.

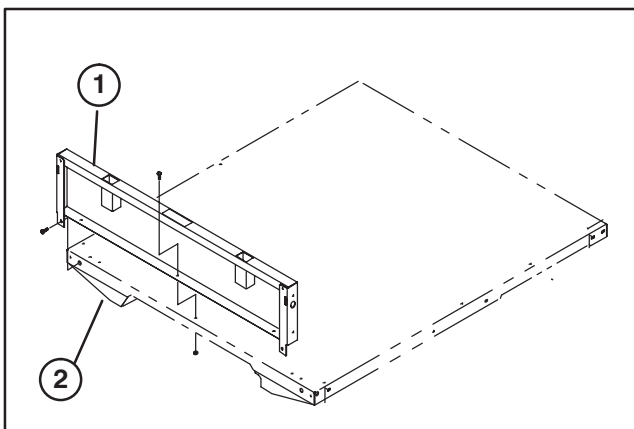


Figure 2

1. Front panel
2. Bed

3. Mount a front pivot bracket to each side of bed with (2) 5/16-18 x 7/8" lg. capscrews. Position brackets as shown in figure 3.

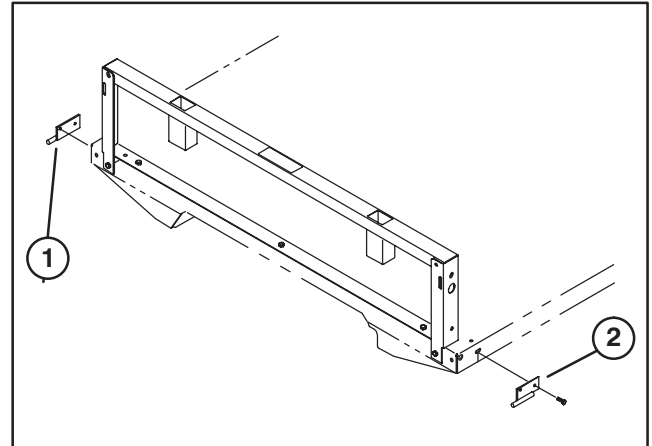


Figure 3

1. Right front pivot bracket
2. Left front pivot bracket

4. Position right side panel on bed while sliding front tab over front pivot bracket (Fig. 4).

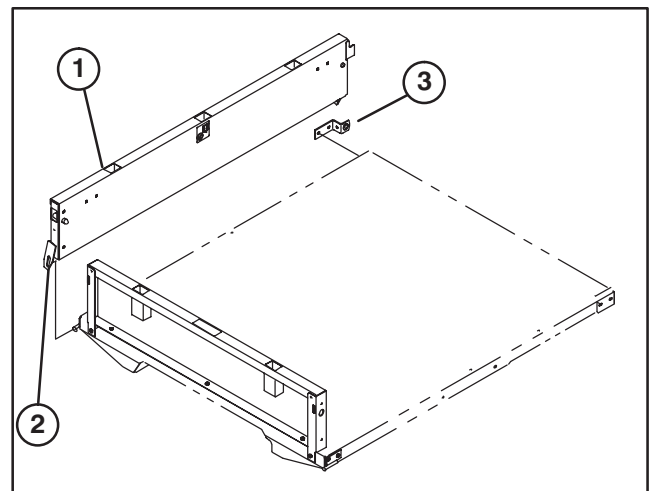


Figure 4

1. Right side panel
2. Front tab
3. Right rear pivot bracket

5. Insert right rear pivot bracket into tab at rear of right side panel while securing it to side and rear of bed with (3) 5/16-18 x 7/8" lg. capscrews and flange (Toplok) locknuts (Fig. 4).

Note: Assistance will be required to do the next few steps because parts must be installed simultaneously for proper fit.

6. Insert tailgate pivot shaft into right rear pivot bracket. Position left side panel onto bed while sliding front end tab over front pivot bracket (Fig. 5).

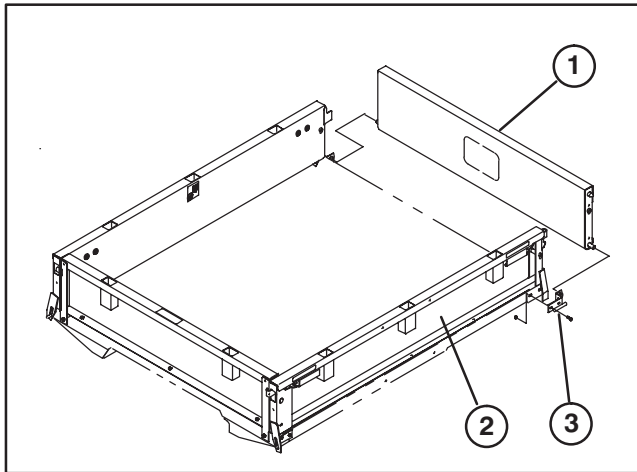


Figure 5

- 1. Tailgate
- 2. Left side panel
- 3. Left rear pivot bracket

7. Insert a 5/16–18 x 7/8” lg. capscrew into rear mounting hole of left rear pivot bracket (Fig. 6).

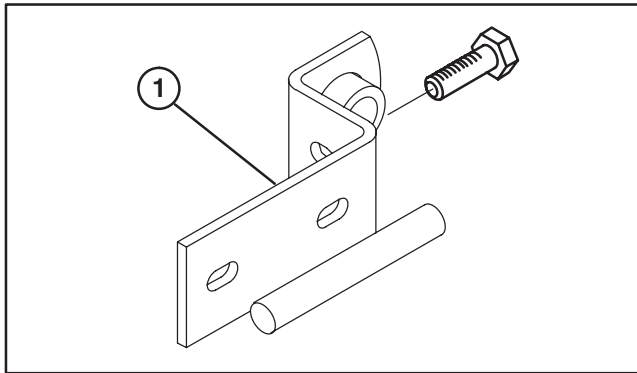


Figure 6

- 1. Left rear pivot bracket

8. Slide pivot bracket over left tailgate pivot shaft and into left rear side panel tab while inserting capscrew into rear mounting hole of bed. Secure with a flange (Toplok) locknut (Fig. 5).

9. Secure pivot bracket to side of bed with (2) 5/16–18 x 7/8” lg. capscrews and flange (Toplok) locknuts (Fig. 5). Tighten all panel and pivot bracket fasteners securely.

10. Check operation of side panels and tailgate to assure they open and close properly. Adjust pivot brackets to ease operation.

11. Open all latch assemblies and hook ends in slots in front panel and tailgate (Fig. 7). Make sure latch ends are hooked all the way in the slots.

12. Close latches.

13. One at a time, push each latch away from hook end of latch end with your fingers. While holding pressure on the latch, put a mark on the side panel at the hook edge of the latch.

14. Carefully open each latch.

15. From mark on side panel, move each latch an additional .060” – .080” and tighten carriage bolts and flange locknuts.

16. Check operation of tailgate and side panels. Make sure latches are not too tight to impair operation or too loose so tailgate or side panels rattle. Latches should be at approximately 45° from closed position when engagement begins.

CAUTION: Be careful not to pinch fingers when raising tailgate, side panels or when actuating latches.

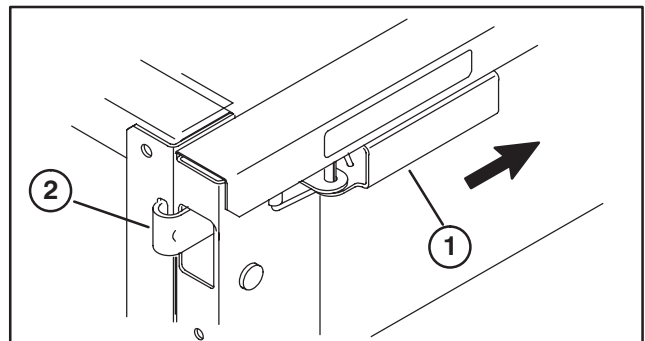


Figure 7

- 1. Latch assembly
- 2. Hook end of latch

17. Using mounting holes shown in figure 8, secure a lanyard to each end of front panel and ends of side panels with (2) 5/16–18 x 7/8” lg. capscrews, flat washers and flange (Toplok) locknuts. Do not overtighten capscrews as lanyard must be free to rotate during operation.

Note: Open and close panels to assure lanyards move out of the way when closing.

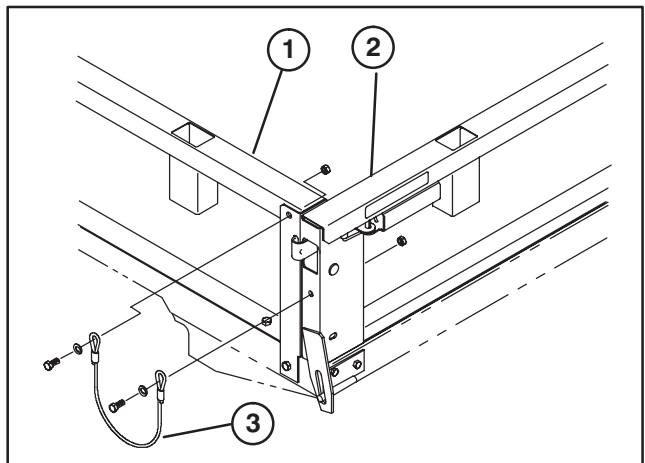


Figure 8

- 1. Front panel
- 2. Left side panel
- 3. Lanyard

18. Using dimensions shown in figure 9, locate, mark and drill a .281" dia. hole in left rear end of bed. Repeat procedure on right rear end of bed.

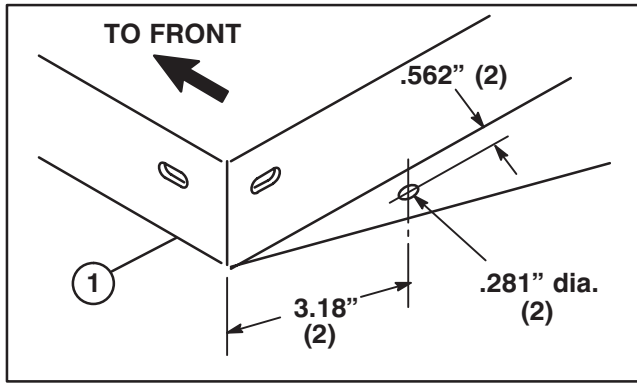


Figure 9

1. Left rear end of bed

19. Mount a rubber bumper and (2) washers to each hole in rear of bed with a Keps nut (Fig. 10). Washers to be positioned between bumper and rear of bed.

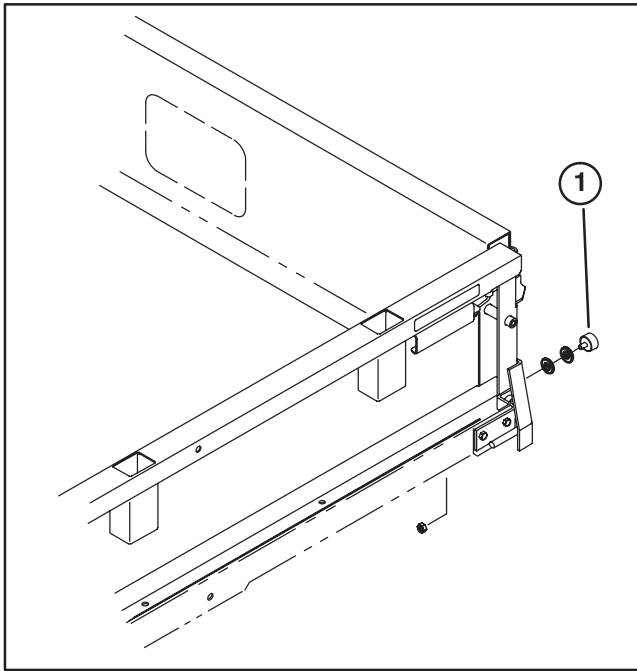


Figure 10

1. Rubber bumper

OPERATION

1. Maximum weight on folded down panels is 300 lb. Exceeding this limit may cause damage to side panels.
2. Never carry passengers in bed.
3. Spring loaded latches can bruise or pinch. Close latches slowly.
4. Any one panel or combination of panels may be folded down.
5. When mounting a core harvester on bed, secure left end of front panel and front end of left side panel together with a 5/16–18 x 7/8" lg. carriage bolt and flange (Toplok) locknut, as shown in figure 11. Right corner may be secured if desired.

IMPORTANT: Keep tailgate latched when core harvester is mounted on machine. This gives added support to side panel with conveyor. Release tailgate only when dumping.

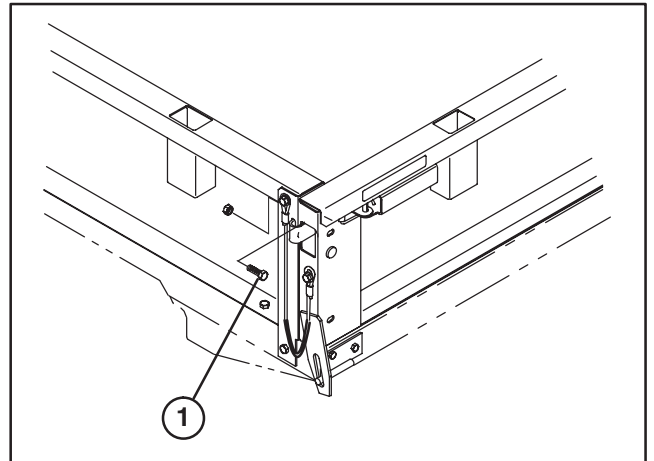


Figure 11

1. Capscrew & locknut

