



Count on it.

Parts Catalog

Dingo® 220

Compact Utility Loader

Model No. 22317—Serial No. 312000001 and Up



Ordering Replacement Parts

To order replacement parts, please supply the part number, the quantity, and the description of each part desired.

Understanding Reference Numbers

Each identified part in an illustration has a reference number. The reference number for a part also appears in the parts list, along with other information about the part.

This catalog uses two special reference number formats, one to indicate parts in a service assembly and another to indicate the quantity of a given part in an illustration.

Service Assembly Reference Numbers

Parts in service assemblies have reference numbers in the form a:b. The a represents the reference number of the entire service assembly and the b represents a sequential number unique to each part within the service assembly.

For example, a wheel assembly might be identified by reference number 6, the tire by 6:1, the valve by 6:2, and the wheel by 6:3. When you order the assembly identified by reference number 6, you receive all parts identified by reference numbers 6:1, 6:2, and 6:3. However, you may also order any part individually. Reference numbers of this type appear in illustration and in parts lists.

Reference Numbers Indicating Quantity

In an illustration, if a reference number indicates more than one part, the reference number has the form nX y. The n represents the quantity of the part, the X is the multiplication symbol, and the y represents the reference number.

For example, in an illustration, the reference number 2X 37 means that two of the parts identified by reference number 37 are indicated.

List of Abbreviations

AR: as required

ASM: assembly

BBC: blade brake control

BHTF: button head thread forming

CARR: carriage

CCW: counter clockwise

CW: clockwise

DEG: degrees

DPA: Dual Point Adjustment

ECM: electronic control module

EXT: external

FH: flat head

GA: gauge

HD: heavy-duty

HF: hex flange

HH: hex head

HHF: hex head flange

HHFTF: hex head flange thread forming

HJ: hex jam

HLH: hex lag head

HOC: height-of-cut

HSBH: hex socket button head

HSFH: hex socket flat head

HSH: hex socket head

HWH: hex washer head

HWHTF: hex washer head thread forming

HYD: hydraulic

LH: left hand

LPG: Liquid Propane Gas

NI: nylon insert

NPTF: national pipe thread fine

PFH: phillips flat head

PPH: phillips pan head

PPHTF: phillips pan head thread forming

PRH: phillips round head

PTH: phillips truss head

PTO: power-take-off

RH: right hand

ROPS: roll-over protection system

RRB: rear roller brush

SFH: slotted fillister head

SHH: slotted hex head

SHWH: slotted hex washer head

SPH: slotted pan head

SQH: square head

SRH: slotted round head

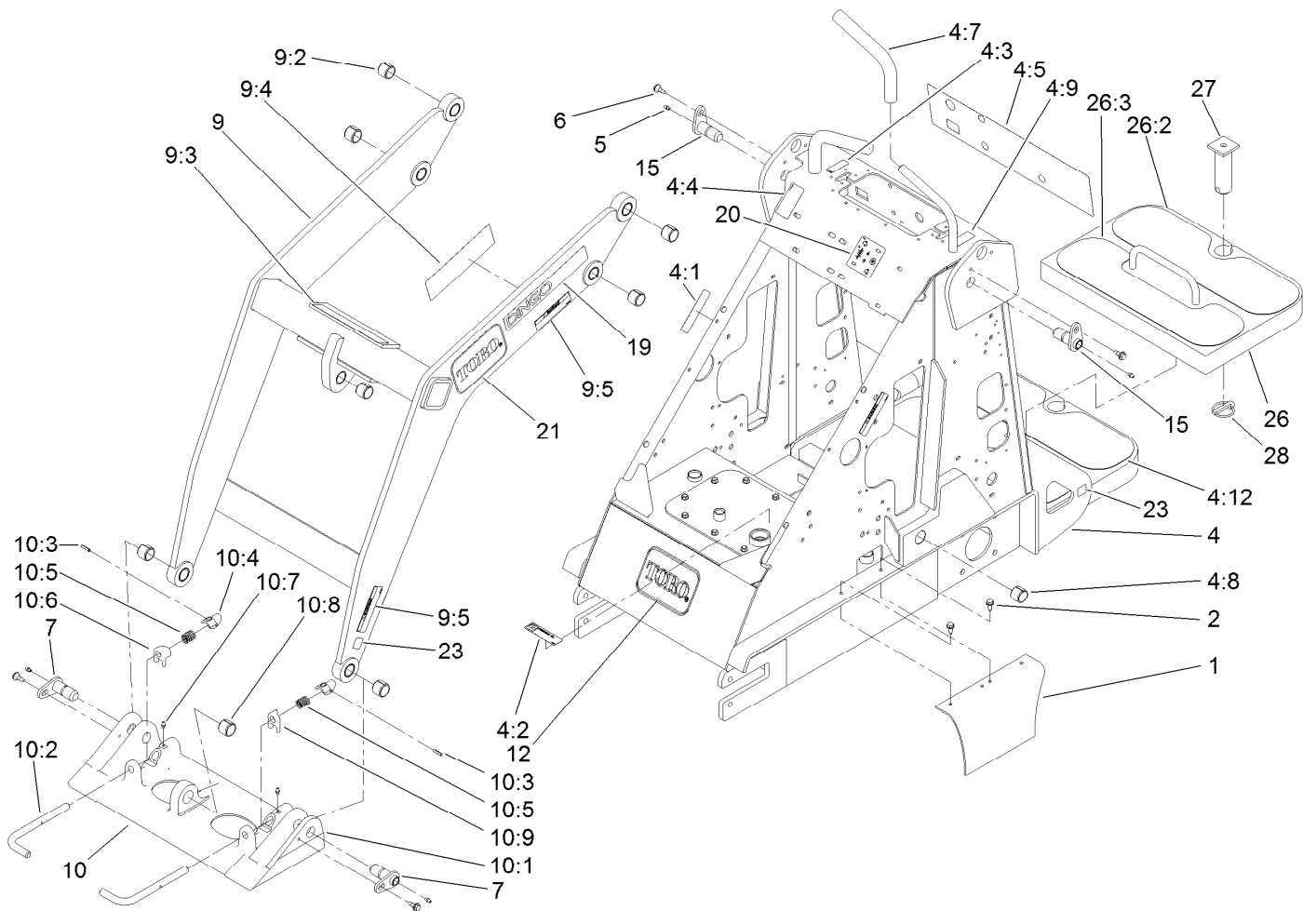
STD: standard

TAP: self tapping

TTH: torx truss head

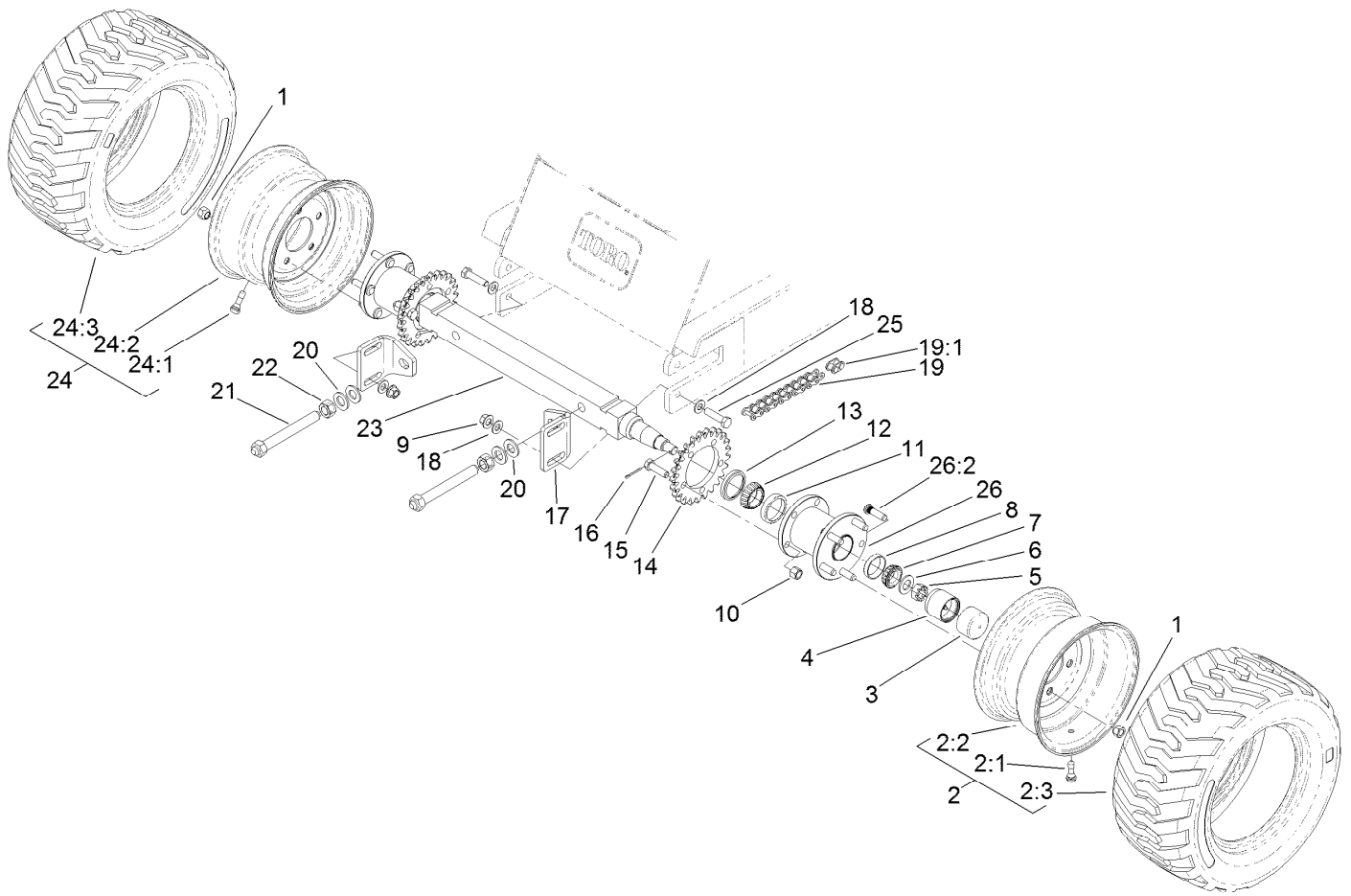
Contents

Frame and Loader Arm Assembly	4
Front Wheel Assembly	5
Rear Wheel Assembly	6
Hydraulic Motor Assembly No. 99-3052	7
Engine Assembly	8
Tandem Hydraulic Pump Assembly No. 108-4710	10
Hydraulic Assembly	11
Hydraulic Valve Assembly	12
Hydraulic Selector Valve Assembly No. 99-3072	14
Auxiliary Hydraulic Valve Assembly No. 99-3077	15
Hydraulic Traction Assembly	16
Hydraulic Valve Assembly No. 105-6246	18
Hydraulic Cylinder Assembly	19
Hydraulic Cylinder Assembly No. 105-7867	20
Electrical Assembly	21
Fuel Tank Vent Assembly	22
Thigh Support Assembly	23
Attachments and Accessories	24



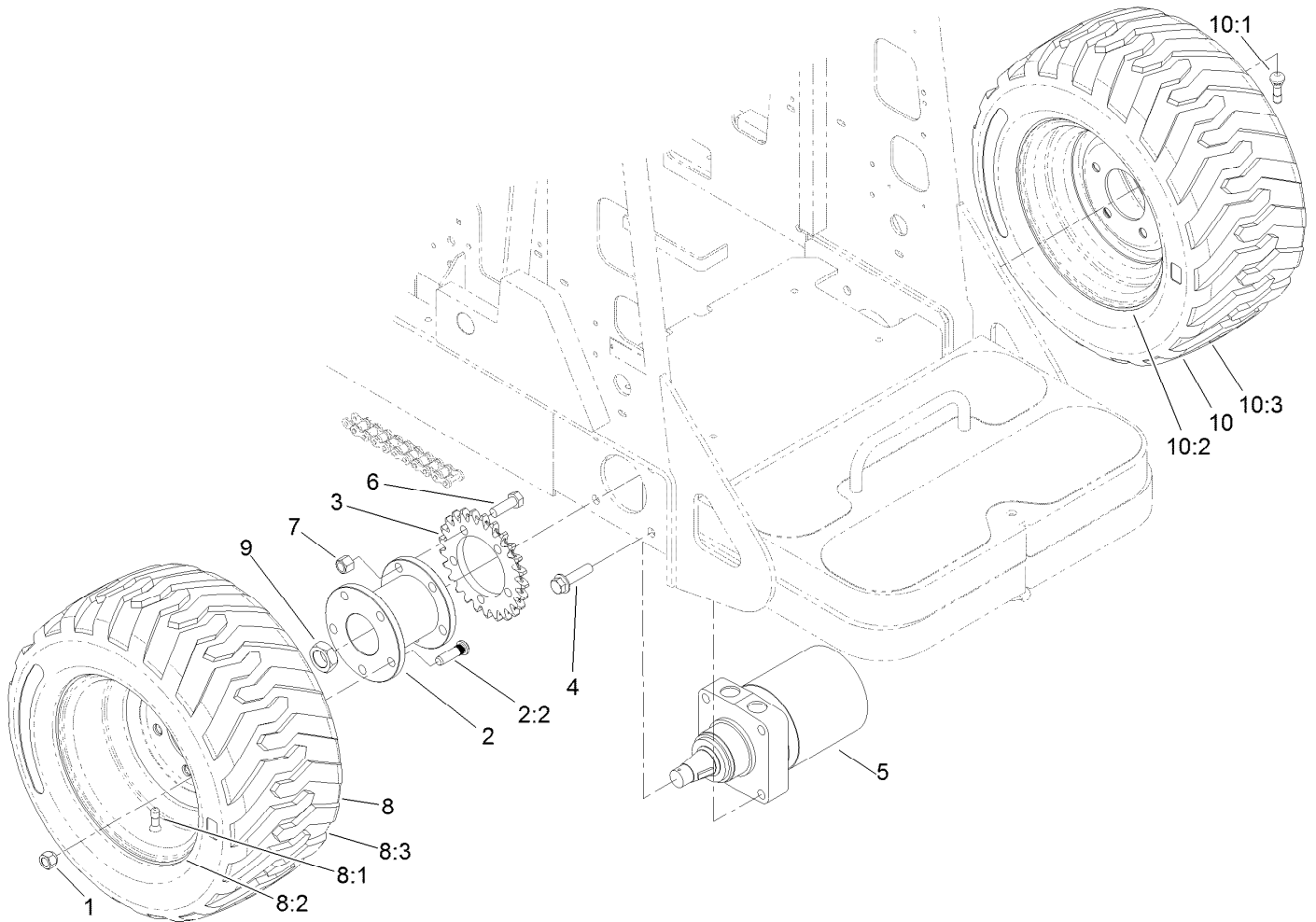
Frame and Loader Arm Assembly

Ref.	Part Number	Qty.	Description	Ref.	Part Number	Qty.	Description
1	98-4669-01	2	Cover-Chain	10:1	115-0774-03	1	Mount-Qtach
2	32144-70	4	Screw-HWHTF	10:2	105-8367	2	Pin-Locking
4	108-9700	1	Frame ASM	10:3	3285-1	2	Pin-Grooved
4:1	100-6141	2	Decal-Pinch	10:4	105-0246	2	Cam
4:2	93-6686	1	Decal-Oil, HYD	10:5	98-4694	2	Spring-Compression
4:3	94-2551	1	Decal-Choke	10:6	104-5909	1	Stop-RH
4:4	98-4677	1	Decal-Power, Auxiliary	10:7	302-5	2	Fitting-Grease
4:5	108-9732	1	Decal-Panel, Control	10:8	98-4871	1	Bushing-Tension
4:7	98-4845	2	Grip-Cushion	10:9	104-5903	1	Stop-LH
4:8	98-4871	2	Bushing-Tension	12	62-5550	1	Decal
4:9	98-8219	1	Decal-Throttle	15	120-5363	2	Pivot Pin ASM
4:12	98-9947	2	Tread-Foot	19	105-8426	2	Decal
5	302-5	4	Fitting-Grease	20	108-9716	1	Decal-Selector, Speed
6	99-5105	4	Bolt-Shoulder	21	93-7340	2	Decal
7	112-2609	2	Pivot Pin ASM	23	93-9084	6	Decal-Point, Lift
9	106-8155	1	Loader ASM	26	112-4947	1	Counterweight ASM
9:2	98-4871	7	Bushing-Tension	26:2	98-9947	1	Tread-Foot
9:3	98-4682	1	Decal-Caution	26:3	112-4948	1	Tread
9:4	98-9051	1	Decal-Danger	27	99-8638	1	Pin ASM
9:5	100-6141	4	Decal-Pinch	28	99-9978	1	Pin-Lynch
10	115-0788	1	Quick Attach ASM				



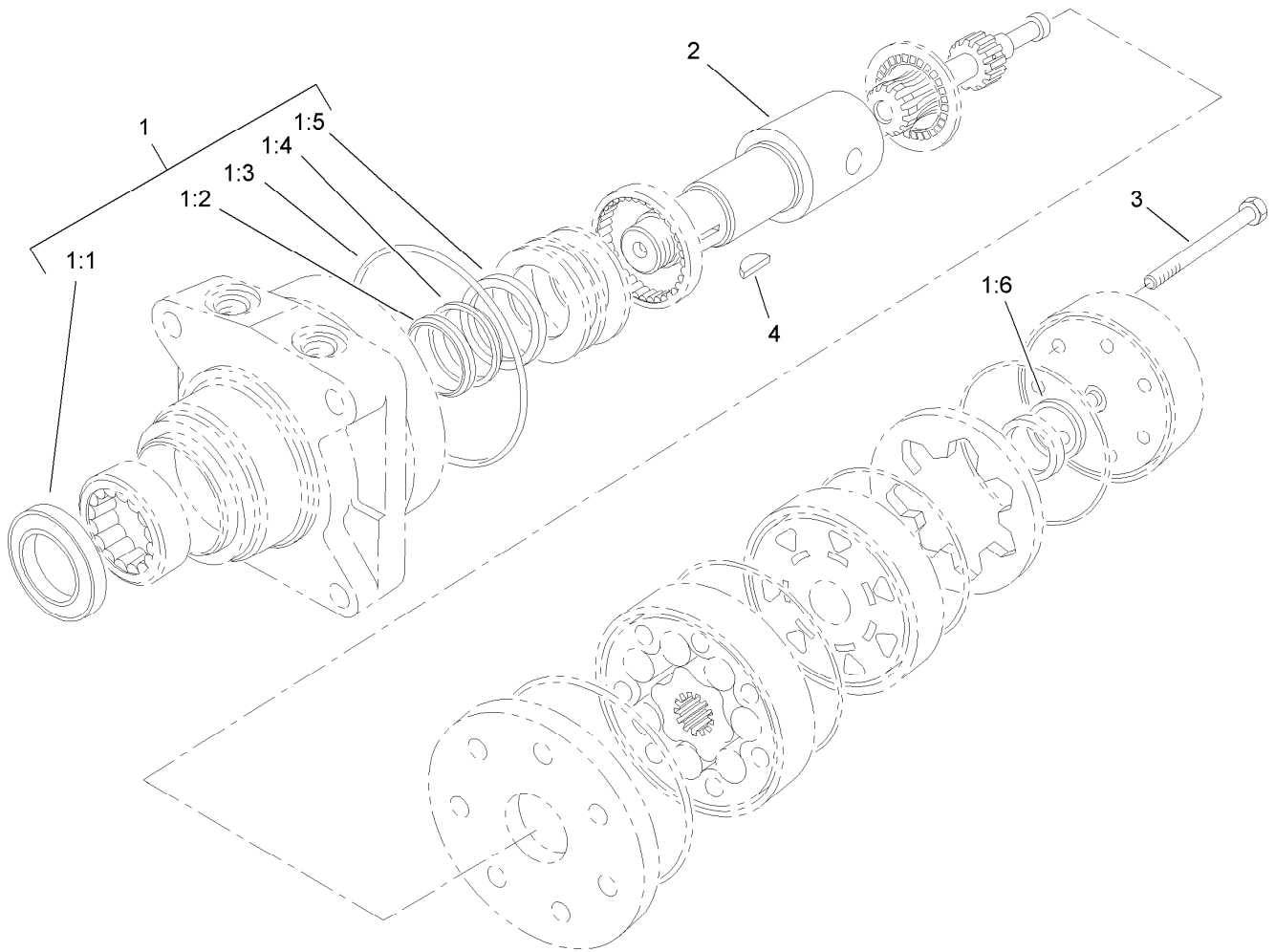
Front Wheel Assembly

Ref.	Part Number	Qty.	Description	Ref.	Part Number	Qty.	Description
1	242-50	10	Nut-Lug	15	325-7	10	Screw-HH
2	98-2747	1	LH Wheel And Tire ASM	16	3272-12	2	Pin-Cotter
2:1	232-27	1	Stem-Valve	17	99-5106-03	2	Bracket-Axle
2:2	98-2748	1	Wheel	18	3256-26	8	Washer-Flat
2:3	98-2749	1	Tire	19	98-4906	2	Chain-Roller
3	100-3809	2	Cap-Protector, Bearing	19:1	98-9089	1	Link-Connecting
4	100-3769	2	Protector-Bearing	20	3256-28	4	Washer-Flat
5	32136-5	2	Nut-Hex, Slotted	21	98-4706	2	Bolt-Tension
6	3256-28	2	Washer-Flat	22	3217-12	2	Nut-Hex
7	254-94	2	Bearing-Cone, Tapered	23	98-4825	1	Axle
8	254-72	2	Bearing-Cup, Tapered	24	99-1447	1	RH Wheel And Tire ASM
9	99-5107	4	Nut-Lock	24:1	232-27	1	Stem-Valve
10	3296-23	14	Nut-Lock, NI	24:2	98-2748	1	Wheel
11	254-107	2	Cup-Bearing, Tapered	24:3	98-2749	1	Tire
12	254-106	2	Cone-Bearing, Tapered	25	325-8	4	Screw-HH
13	98-4705	2	Seal-Bearing, Wheel	26	100-9989	2	Front Hub ASM
14	98-9937	2	Sprocket-25T	26:2	10-6830	5	Stud-Type, Drive



Rear Wheel Assembly

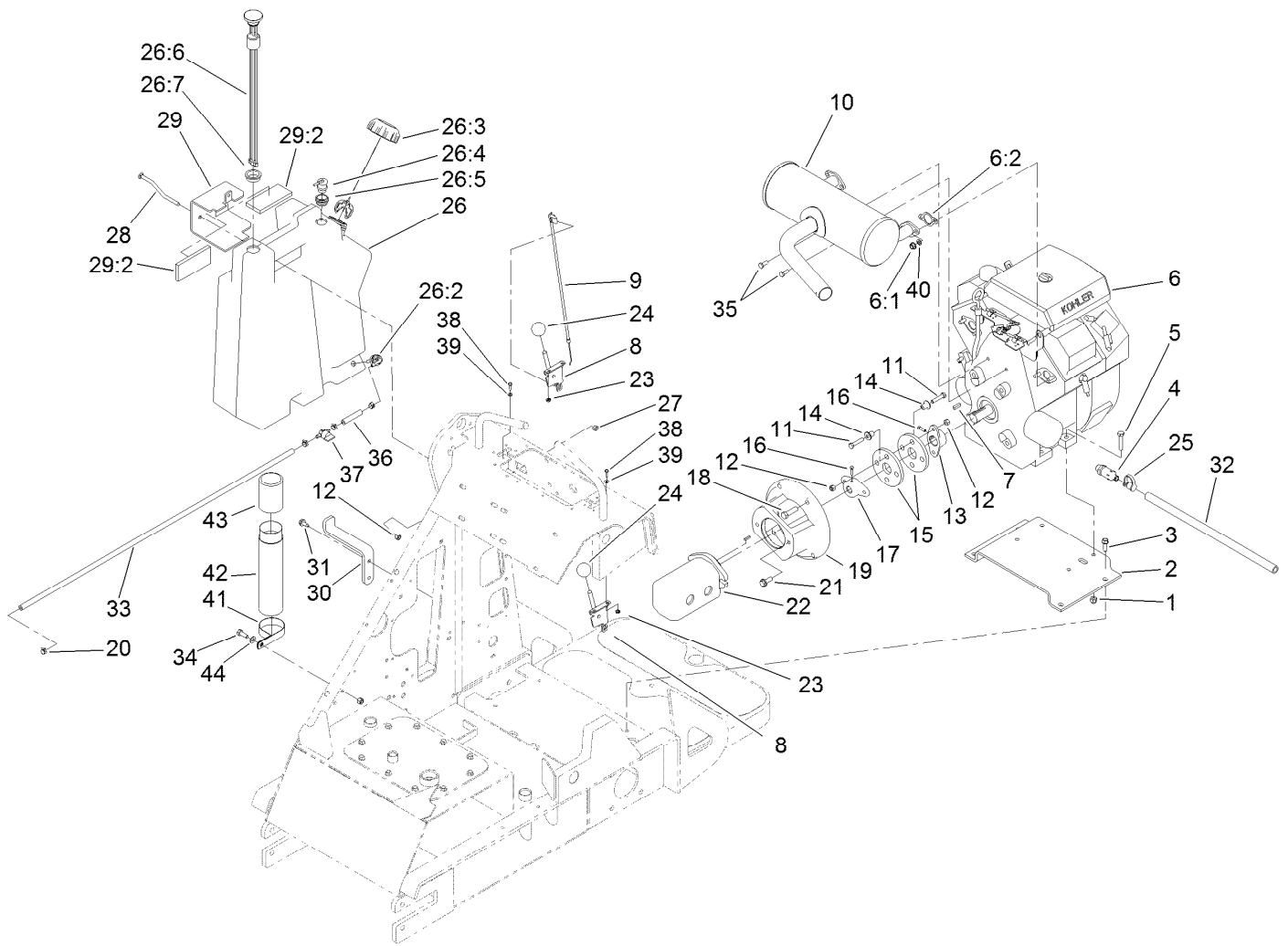
<i>Ref.</i>	<i>Part Number</i>	<i>Qty.</i>	<i>Description</i>	<i>Ref.</i>	<i>Part Number</i>	<i>Qty.</i>	<i>Description</i>
1	242-50	10	Nut-Lug	8:1	232-27	1	Stem-Valve
2	100-9990	2	Rear Hub ASM	8:2	98-2748	1	Wheel
2:2	10-6830	5	Stud-Type, Drive	8:3	98-2749	1	Tire
3	98-9937	2	Sprocket-25T	9	106-8159	2	Nut-Lock
4	3234-27	8	Screw-HHF	10	99-1447	1	RH Wheel And Tire ASM
5	99-3052	2	HYD Motor ASM	10:1	232-27	1	Stem-Valve
6	325-7	10	Screw-HH	10:2	98-2748	1	Wheel
7	3296-23	10	Nut-Lock, NI	10:3	98-2749	1	Tire
8	98-2747	1	LH Wheel And Tire ASM				



Hydraulic Motor Assembly No. 99-3052

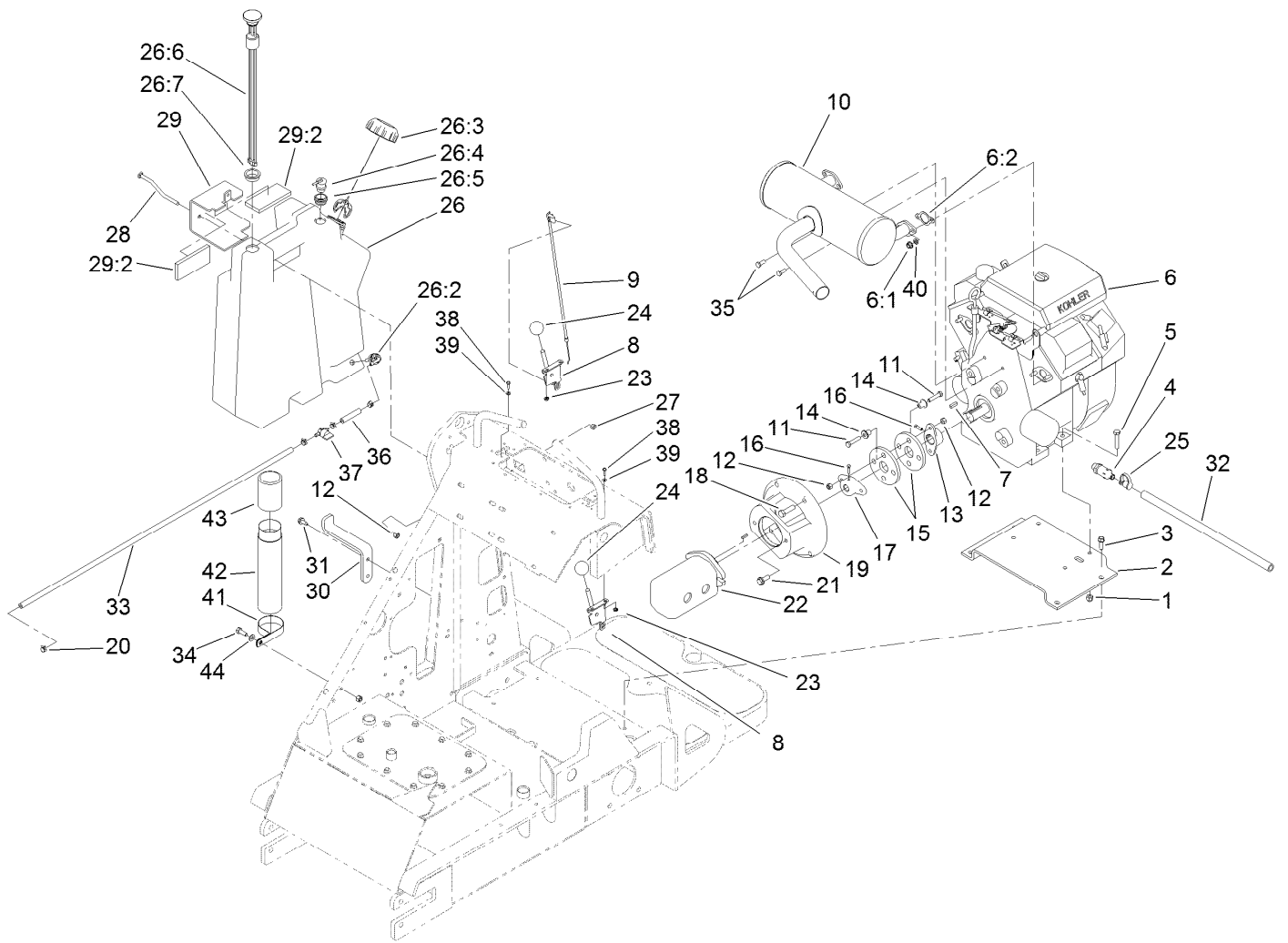
<i>Ref.</i>	<i>Part Number</i>	<i>Qty.</i>	<i>Description</i>
1	94-8178	1	Seal Kit
1:1		1	Seal-Dirt And Water ●
1:2		1	Backup-Ring ●
1:3		1	Seal-Shaft ●
1:4		1	Washer-Backup ●
1:5		5	Seal-Square, Ring (Inner) ●
1:6		1	Seal-Commutator ●
2	99-3090	1	Shaft-Coupling
3	99-3091	7	Screw-Cap, HH
4	3257-42	1	Key-Woodruff

● Not serviced separately



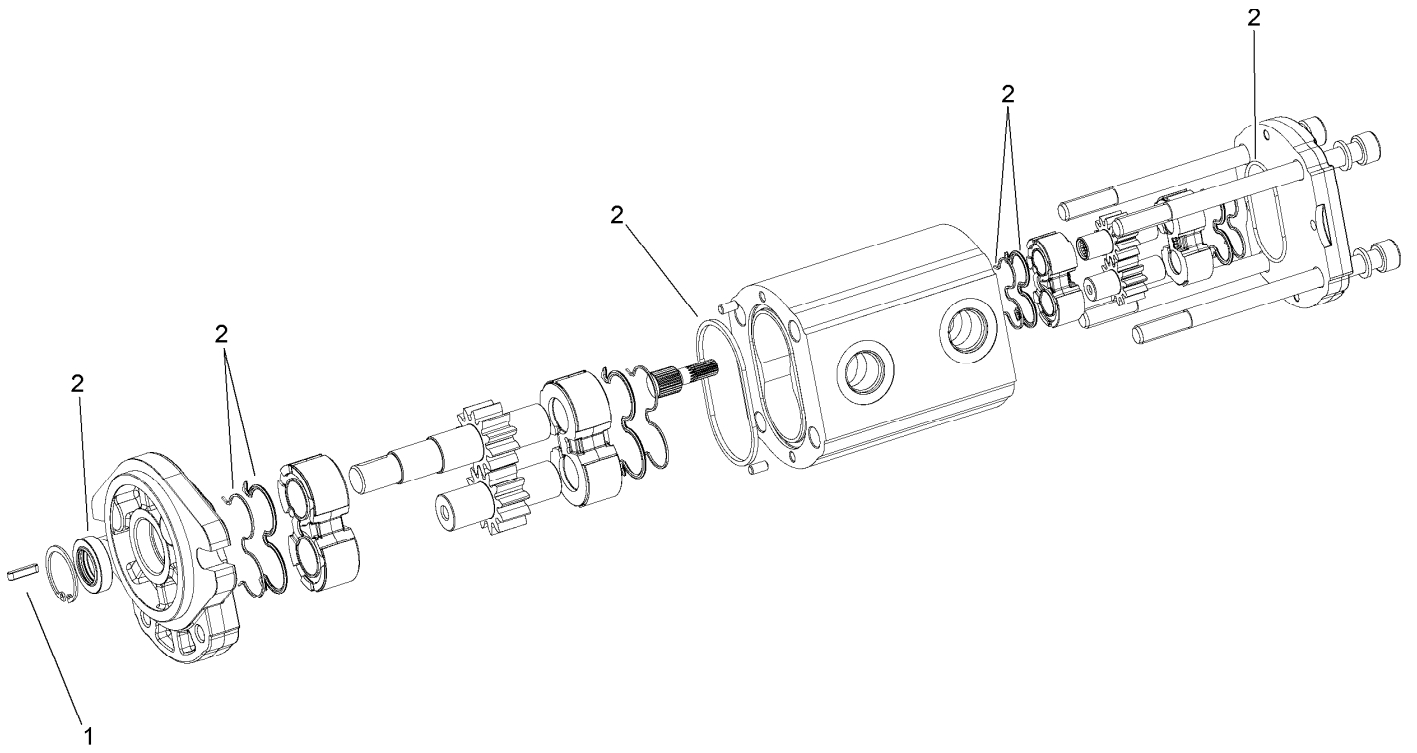
Engine Assembly

Ref.	Part Number	Qty.	Description	Ref.	Part Number	Qty.	Description
1	3296-39	4	Nut-Lock, NI	20	2412-98	4	Clamp-Hose
2	98-4666-03	1	Mount-Engine	21	66-9300	2	Screw-HHF
3	95-1726	4	Screw-Taptite	22	108-4710	1	HYD Pump ASM
4	92-6877	1	Valve-Drain, Oil	23	32149-7	4	Nut-Keps
5	323-9	4	Screw-HH	24	233-42	2	Knob
6	117-1745	1	Engine-Kohler, Ch20S	25	354-79	1	Cap-Dust
6:1	92-6780	4	Nut-HF	26	119-5241	1	RH Fuel Tank ASM
6:2	110-6697	2	Gasket-Exhaust	26:2	103-2605	1	Fitting-Fuel, Bulkhead
7	10-7070	1	Key-Square	26:3	115-7788	1	Cap-Fuel
8	108-9730	2	Control Lever ASM	26:4	114-0285	1	Valve-Rollover
9	108-4718	2	Cable-Control	26:5	114-0284	1	Grommet
10	105-8381	1	Muffler	26:6	104-5603	1	Gauge-Level, Fuel
11	322-7	4	Screw-HH	26:7	95-8972	1	Grommet
12	3296-29	4	Nut-Lock, NI	27	32153-3	1	Nut-Hex, Side Deform
13	110-5236	1	Hub-Engine	28	98-4657	1	RH-Mount
14	71-4411	4	Spacer	29	117-1802	1	RH Tank Mount ASM
15	115-4523	2	Coupling-Rubber	29:2	117-1798	2	Pad-Foam
16	3241-6	4	Screw-SQH	30	117-1777-03	1	Mount-Tank, Bottom
17	98-4701	1	Hub-Pump	31	32144-70	2	Screw-HWHTF
18	324-6	4	Screw-HH	32	98-4667	1	Hose
19	98-2751-03	1	Mount-Pump	33	109-0273	1	Hose-Fuel



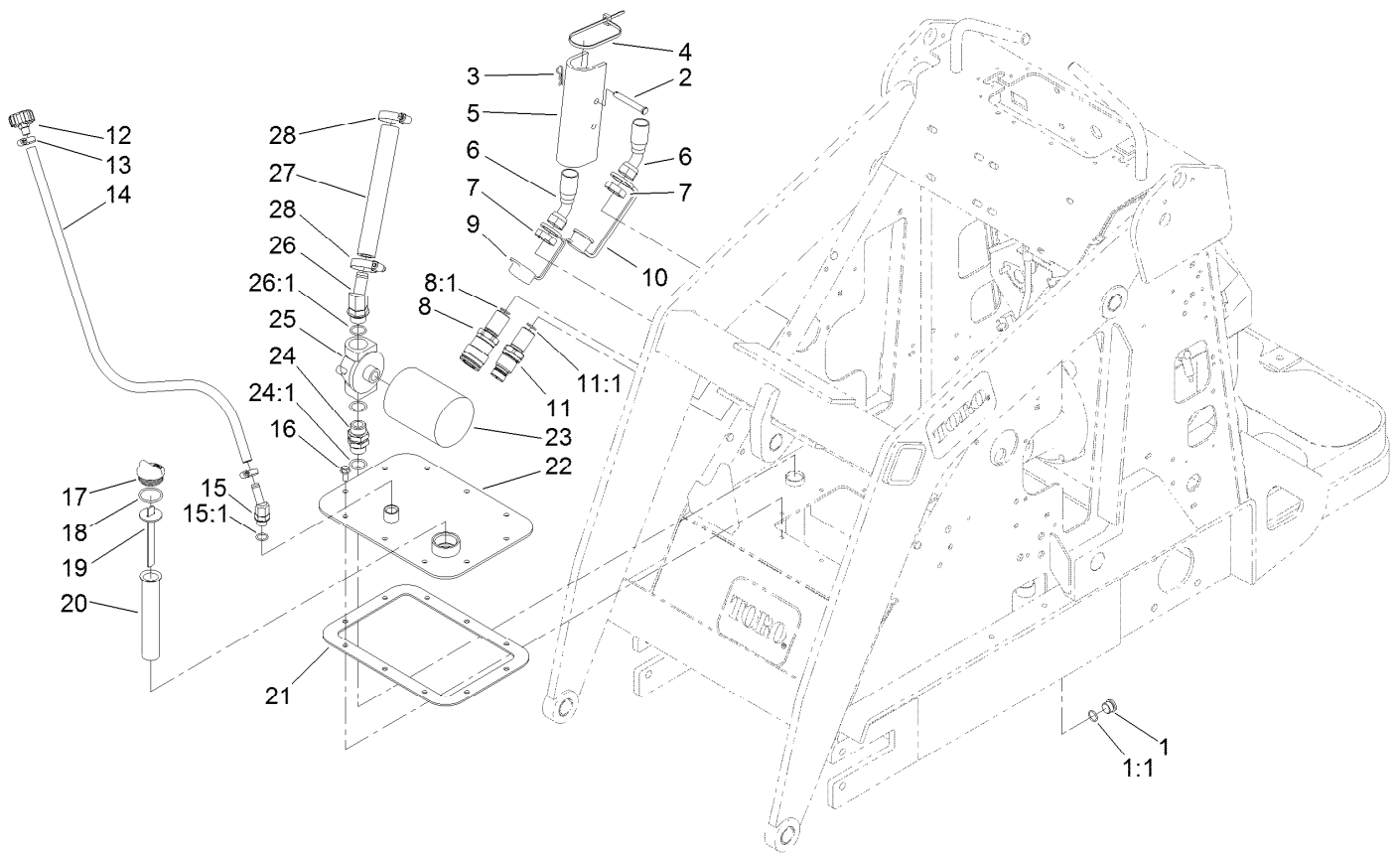
Engine Assembly (continued)

<i>Ref.</i>	<i>Part Number</i>	<i>Qty.</i>	<i>Description</i>	<i>Ref.</i>	<i>Part Number</i>	<i>Qty.</i>	<i>Description</i>
34	322-4	1	Screw-HH	40	3253-4	4	Washer-Lock
35	33114-020	2	Screw-HH	41	2412-133	1	R-Clamp
36	109-0304	1	Hose-Fuel	42	104-7050	1	Tube-Manual
37	1-603770	1	Valve-Fuel	43	104-7048	1	Cap-Housing
38	3290-134	4	Screw	44	3256-23	1	Washer-Flat
39	3256-51	4	Washer-Flat				



Tandem Hydraulic Pump Assembly No. 108-4710

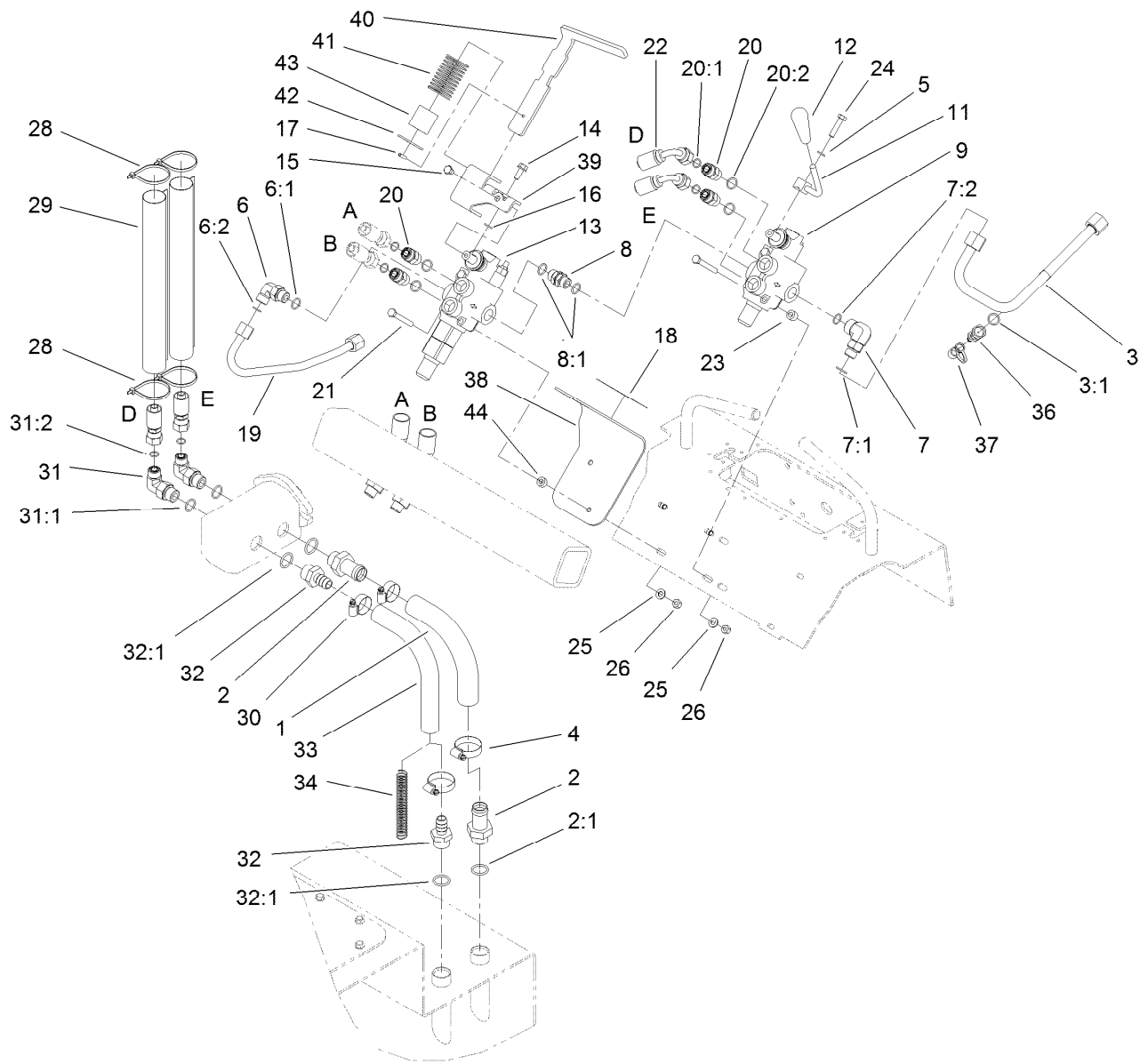
<i>Ref.</i>	<i>Part Number</i>	<i>Qty.</i>	<i>Description</i>
1	98-4700	1	Key-Square
2	99-1353	1	Seal Kit



Hydraulic Assembly

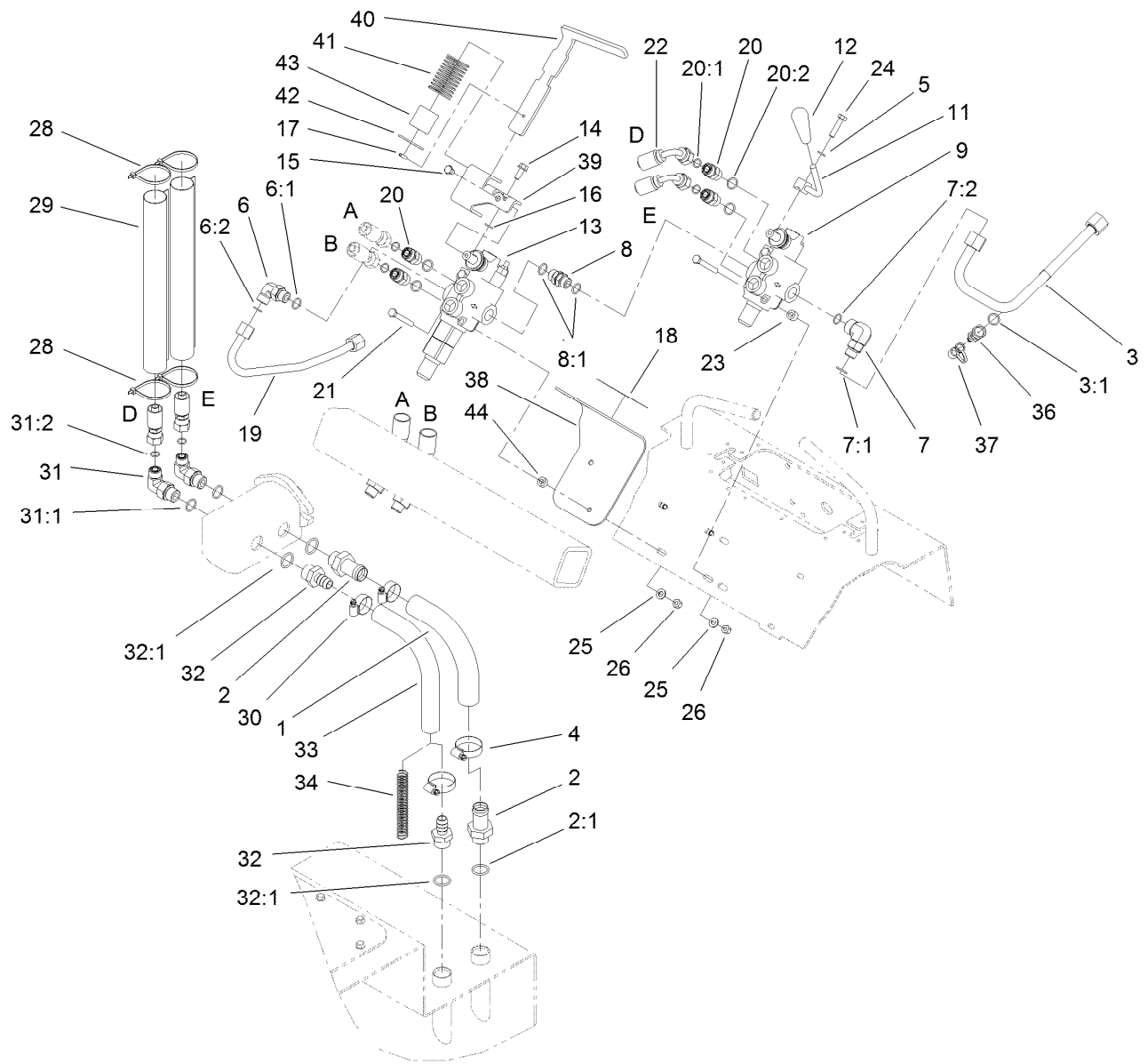
Ref.	Part Number	Qty.	Description	Ref.	Part Number	Qty.	Description
1	353-988	1	Plug-Hex	15	354-126	1	Fitting-HYD, 45 DEG
1:1	237-79	1	O-Ring	15:1	237-79	1	O-Ring
2	283-52	2	Pin-Clevis	16	98-9940	10	Screw
3	3290-467	2	Pin-Hair	17	93-7498	1	Plug-Plastic
4	3290-379	9	Tie-Cable	18	237-123	1	O-Ring
5	98-4675-01	2	Lock-Cylinder	19	100-2097	1	Dipstick-Oil
6	100-8817	2	HYD Hose ASM	20	61-2790	1	Filter-Screen
7	340-74	2	Nut-Lock, Bulkhead	21	98-9927	1	Gasket-Cover
8	105-8394	1	Bulkhead Coupler ASM	22	98-2709	1	Cover
8:1	237-65	1	O-Ring	23	54-0110	1	Filter-Oil, Transmission
9	100-8816	1	Cap-Dust, Coupler	24	98-9906	1	Fitting-Thread, Straight
10	100-8815	1	Cap-Dust, Nipple	24:1	237-81	2	O-Ring
11	105-8395	1	Bulkhead Nipple ASM	25	92-5821	1	Filter Head ASM
11:1	237-65	1	O-Ring	26	354-127	1	Elbow-45 DEG
11:2	100-6120	1	Seal Kit ●	26:1	237-81	1	O-Ring
12	68-6150	1	Breather	27	98-2713	1	Hose-Suction, HYD
13	2412-36	2	Clamp-Hose	28	2412-129	2	Clamp-Hose
14	98-2708	1	Hose-Vent				

● Not illustrated



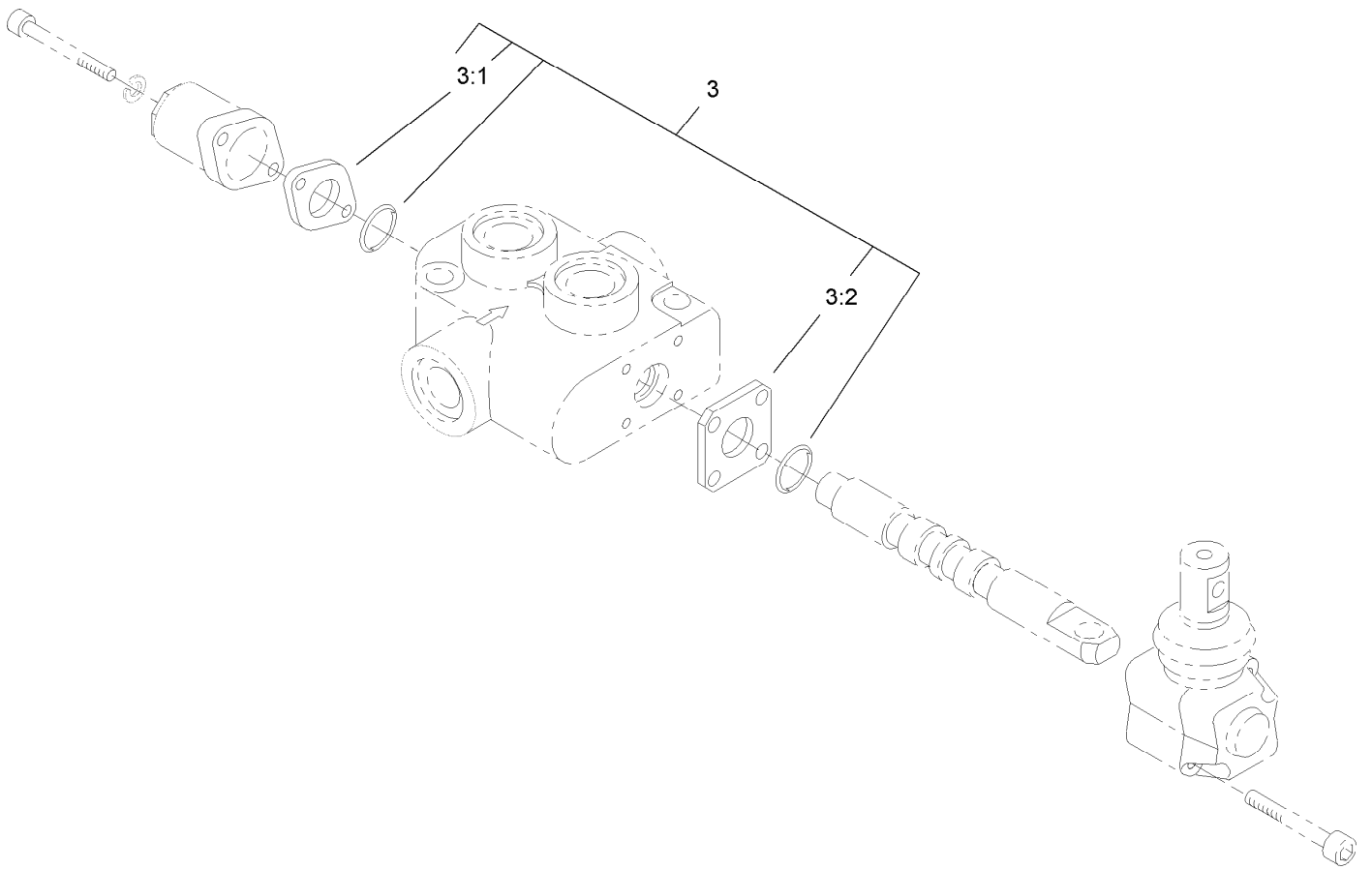
Hydraulic Valve Assembly

Ref.	Part Number	Qty.	Description	Ref.	Part Number	Qty.	Description
1	99-3046	1	Hose-Suction, Formed	16	3253-4	1	Washer-Lock
2	99-3017	2	Fitting	17	32121-3	1	Pin-Spring
2:1	237-81	1	O-Ring	18	108-4733	1	Decal-Auxiliary
3	108-4716	1	HYD Tube ASM	19	105-7879	1	Tube-HYD
3:1	237-22	1	O-Ring	20	340-4	4	Fitting-HYD, Straight
4	2412-111	2	Clamp	20:1	237-30	1	O-Ring
5	3253-4	1	Washer-Lock	20:2	237-79	1	O-Ring
6	340-98	1	Fitting-HYD, 90 DEG	21	322-12	4	Screw-HH
6:1	237-79	1	O-Ring	22	98-4747	2	HYD Hose ASM
6:2	237-30	1	O-Ring	23	98-4695	2	Spacer
7	340-153	1	Fitting-Elbow, 90 DEG	24	33114-035	1	Screw-HH
7:1	237-79	1	O-Ring	25	3256-23	4	Washer-Flat
7:2	237-151	1	O-Ring	26	3296-29	4	Nut-Lock, NI
8	95-3209	1	Fitting-Thread, Straight	28	3290-379	4	Tie-Cable
8:1	237-79	2	O-Ring	29	108-9715	2	Sleeve-Thermal
9	99-3072	1	HYD Selector Valve ASM	30	2412-129	2	Clamp-Hose
11	108-9709-03	1	Lever-Control	31	340-105	2	Fitting-HYD, 90 DEG
12	98-0152	1	Knob-Tapered	31:1	237-80	1	O-Ring
13	99-3077	1	HYD Auxiliary Valve ASM	31:2	237-30	1	O-Ring
14	33104-020	1	Screw-HHF	32	354-73	2	Fitting-Straight
15	33114-010	1	Screw-HH	32:1	237-81	1	O-Ring



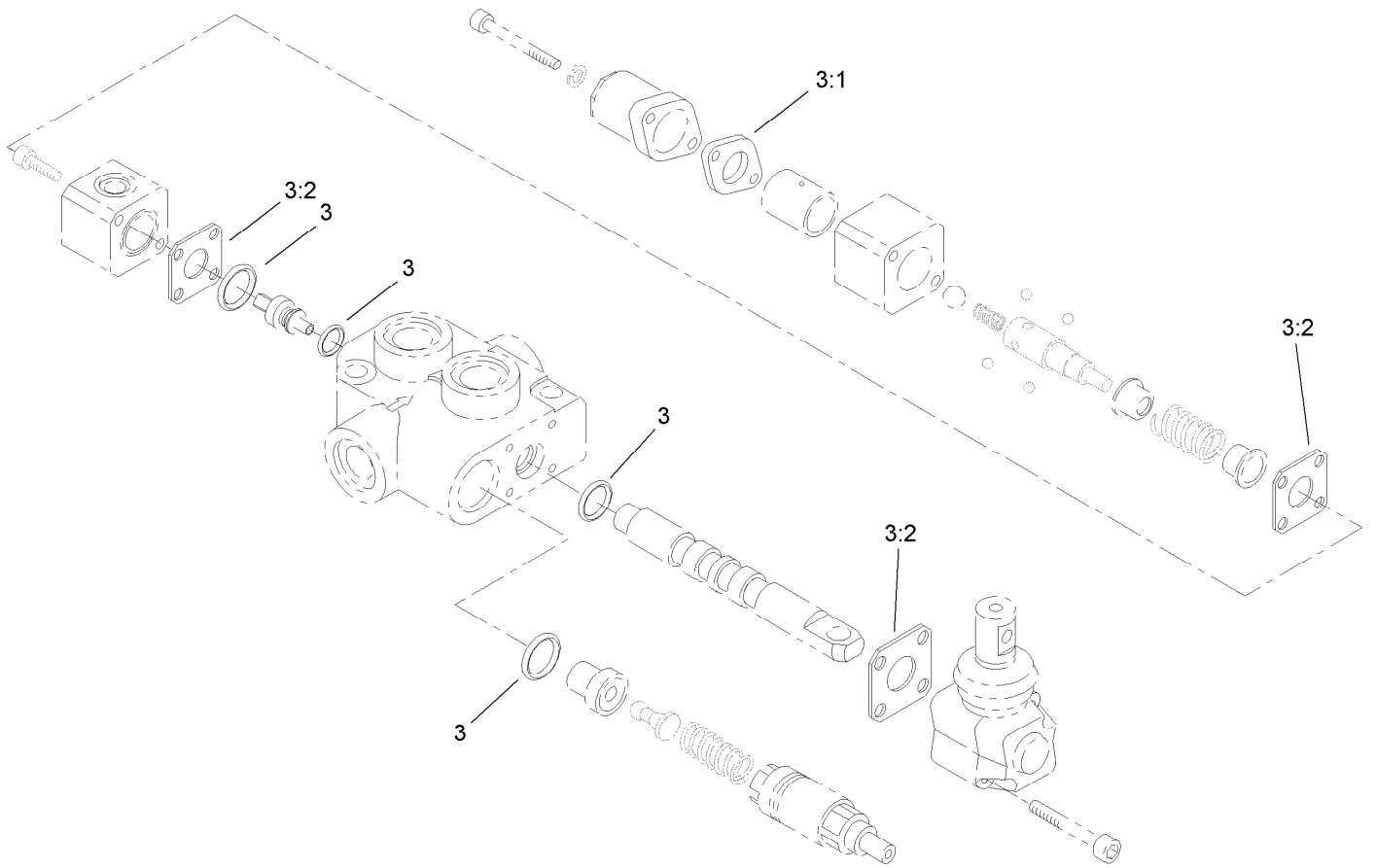
Hydraulic Valve Assembly (continued)

<i>Ref.</i>	<i>Part Number</i>	<i>Qty.</i>	<i>Description</i>	<i>Ref.</i>	<i>Part Number</i>	<i>Qty.</i>	<i>Description</i>
33	98-2713	1	Hose-Suction, HYD	40	110-0123	1	Handle-Lever, Auxiliary
34	99-5349	1	Spring-Compression	41	110-0124	1	Spring
36	86-5480	1	Nipple-Test	42	110-0125	1	Retainer-Spring, Auxiliary
37	354-79	1	Cap-Dust	43	110-0160	1	Tube-Spring
38	110-0121-03	1	Bracket-Auxiliary	44	100-2085	2	Spacer
39	114-1263-03	1	Mount-Lever, Aux				



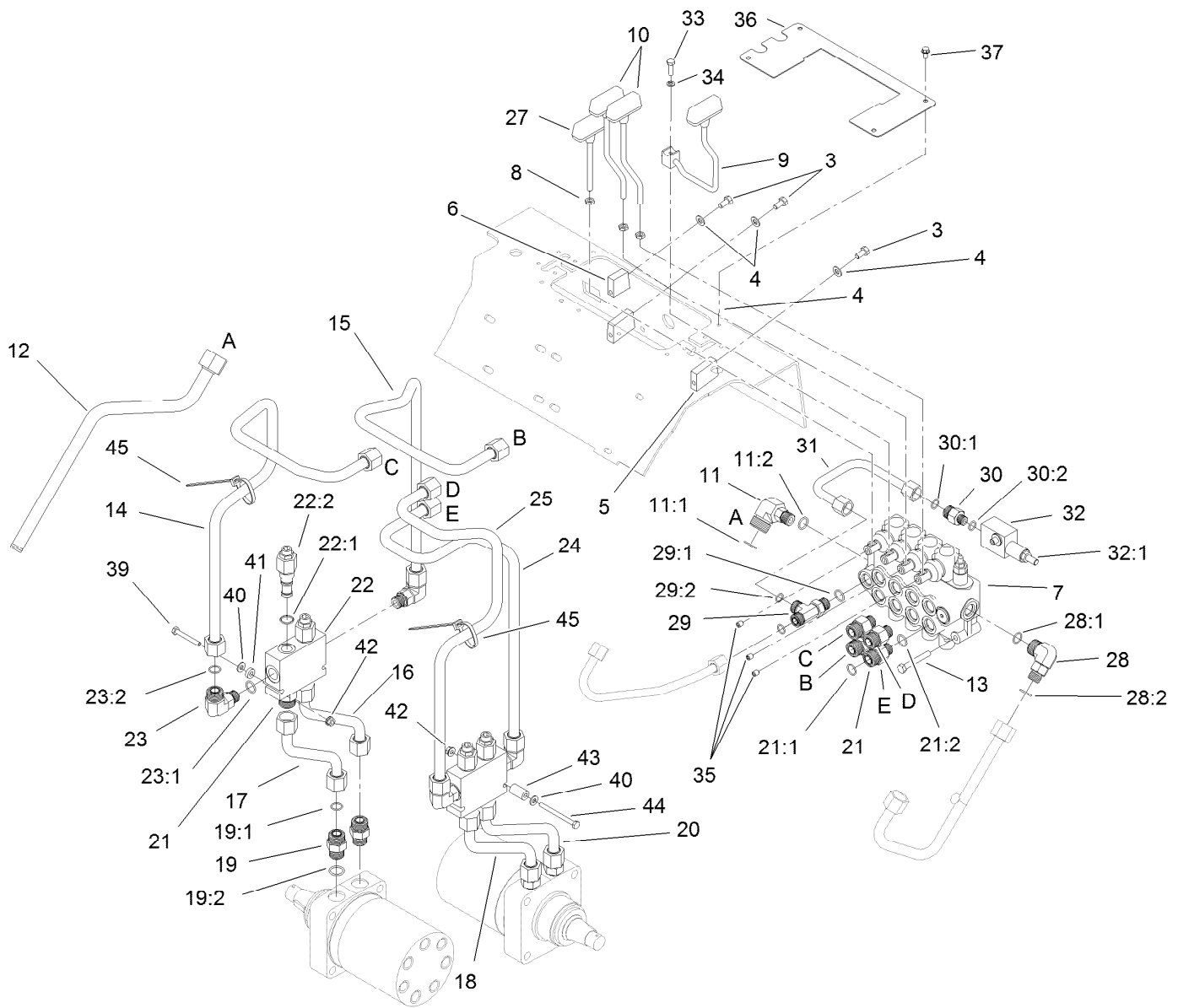
Hydraulic Selector Valve Assembly No. 99-3072

<i>Ref.</i>	<i>Part Number</i>	<i>Qty.</i>	<i>Description</i>
3	99-4391	1	Seal Kit
3:1	99-3074	1	Gasket
3:2	99-3075	3	Gasket



Auxiliary Hydraulic Valve Assembly No. 99-3077

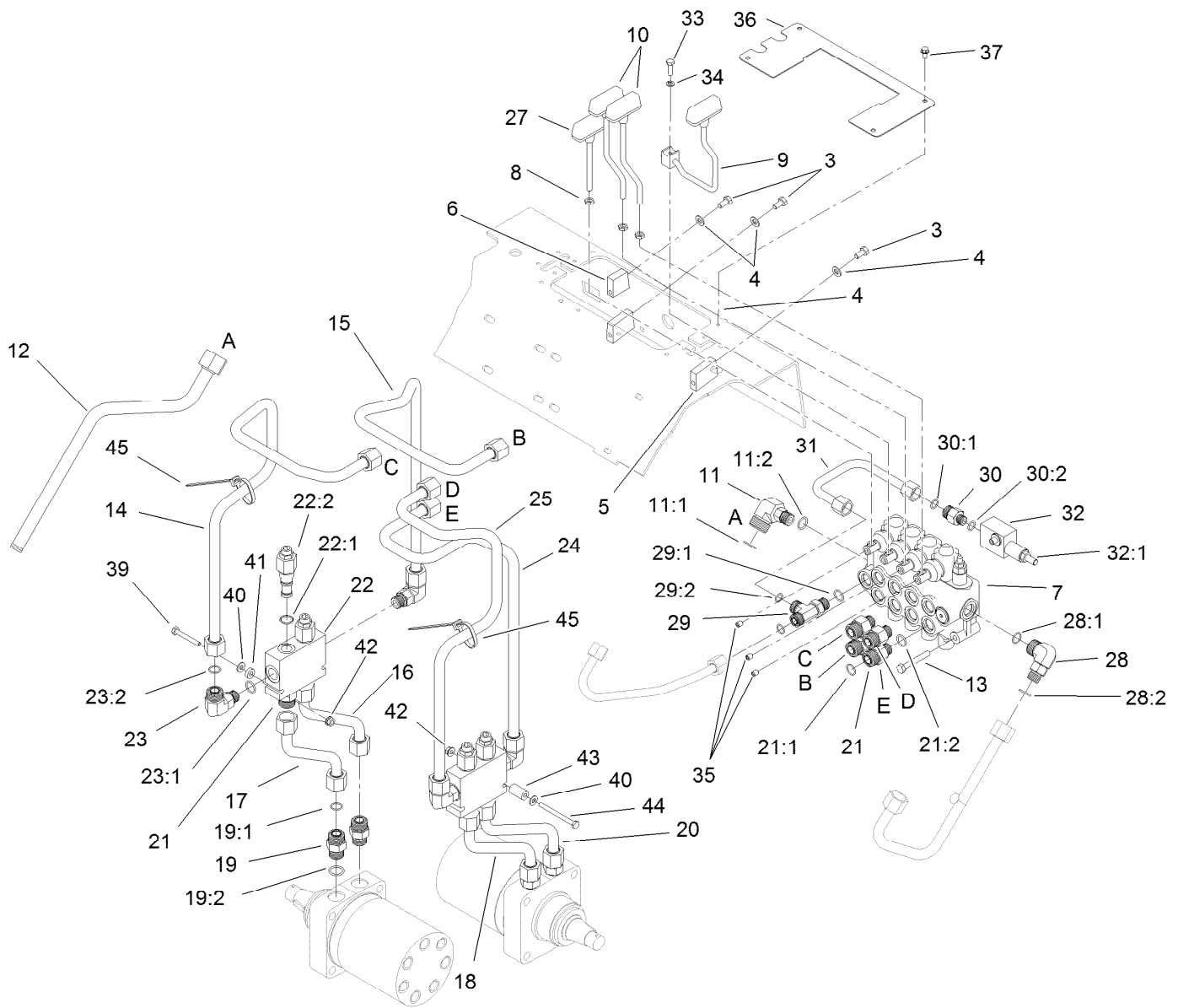
<i>Ref.</i>	<i>Part Number</i>	<i>Qty.</i>	<i>Description</i>
3	99-4391	1	Seal Kit
3:1	99-3074	1	Gasket
3:2	99-3075	3	Gasket



Hydraulic Traction Assembly

Ref.	Part Number	Qty.	Description	Ref.	Part Number	Qty.	Description
3	322-2	3	Screw-HH	18	98-4743	1	Tube-HYD
4	33094-00	3	Washer-Plain	19	340-7	4	Adapter
5	108-4728	2	Spacer	19:1	237-65	1	O-Ring
6	105-7870	1	Spacer-Upper	19:2	237-80	1	O-Ring
7	105-6246	1	Valve-Four Spool (W/ Relief Port)	20	98-4742	1	Tube-HYD
8	33014-00	3	Nut-Hex	21	340-155	8	Fitting-HYD, Straight
9	106-8165	1	Control Lever ASM	21:1	237-79	1	O-Ring
10	104-5733	2	Drive Lever ASM	21:2	237-151	1	O-Ring
11	92-5696	1	Fitting-HYD, 90 DEG	22	98-9050	2	Valve-Counterbalance
11:1	237-58	1	O-Ring	22:1	105-4099	1	Seal Kit
11:2	237-79	1	O-Ring	22:2	99-3271	2	Valve-Cartridge
12	106-8177	1	Tube-Tank, HYD	23	340-153	4	Fitting-Elbow, 90 DEG
13	322-11	3	Screw-HH	23:1	237-79	1	O-Ring
14	105-7877	1	Tube-HYD (Right B)	23:2	237-151	1	O-Ring
15	105-7876	1	Tube-HYD (Right A)	24	105-7875	1	Tube-HYD (Left A)
16	98-4740	1	Tube-HYD	25	105-7874	1	Tube-HYD (Left B)
17	98-4741	1	Tube-HYD	27	105-7881	1	Cylinder Lever ASM
				28	340-153	1	Fitting-Elbow, 90 DEG

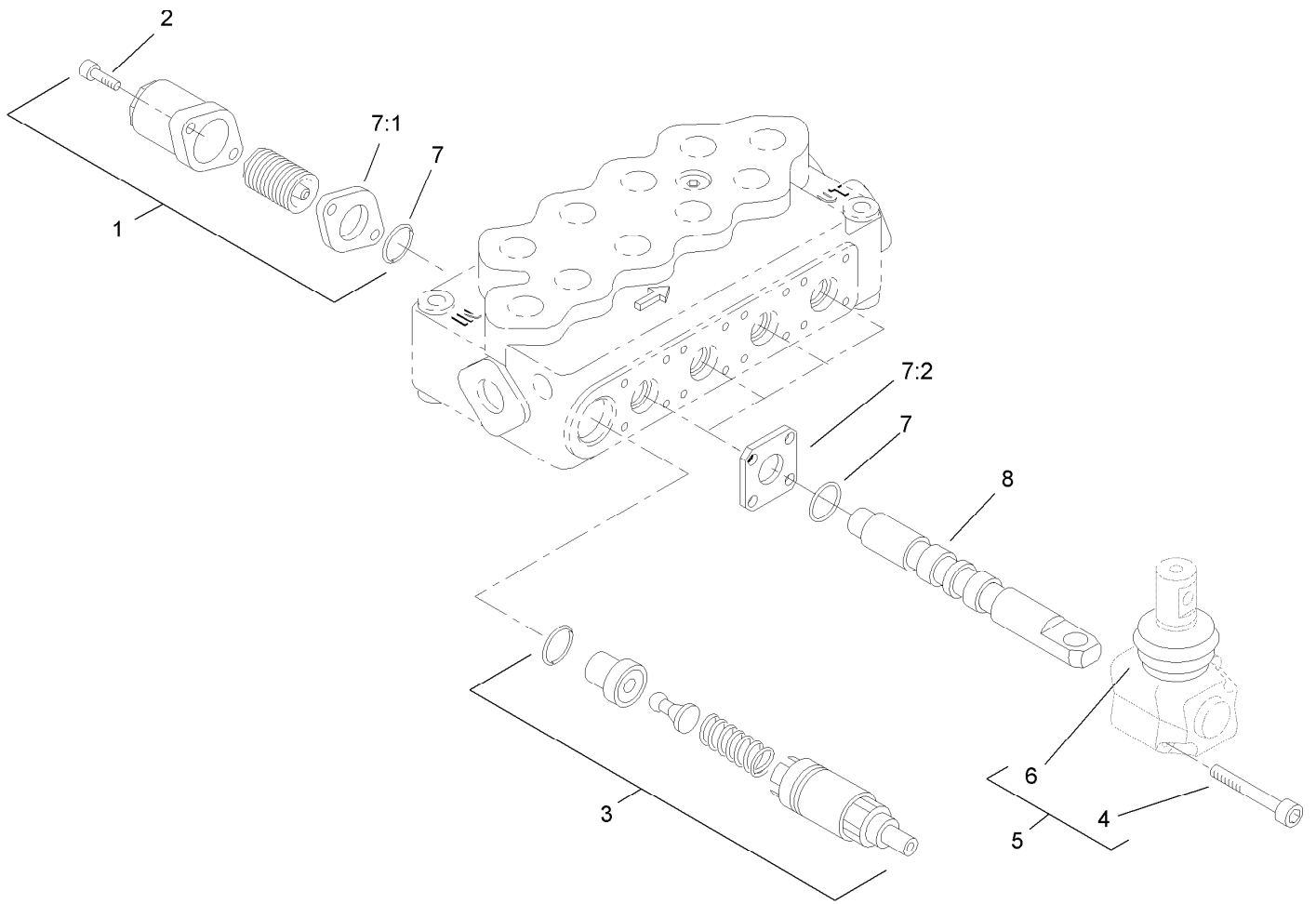
● Not illustrated



Hydraulic Traction Assembly (continued)

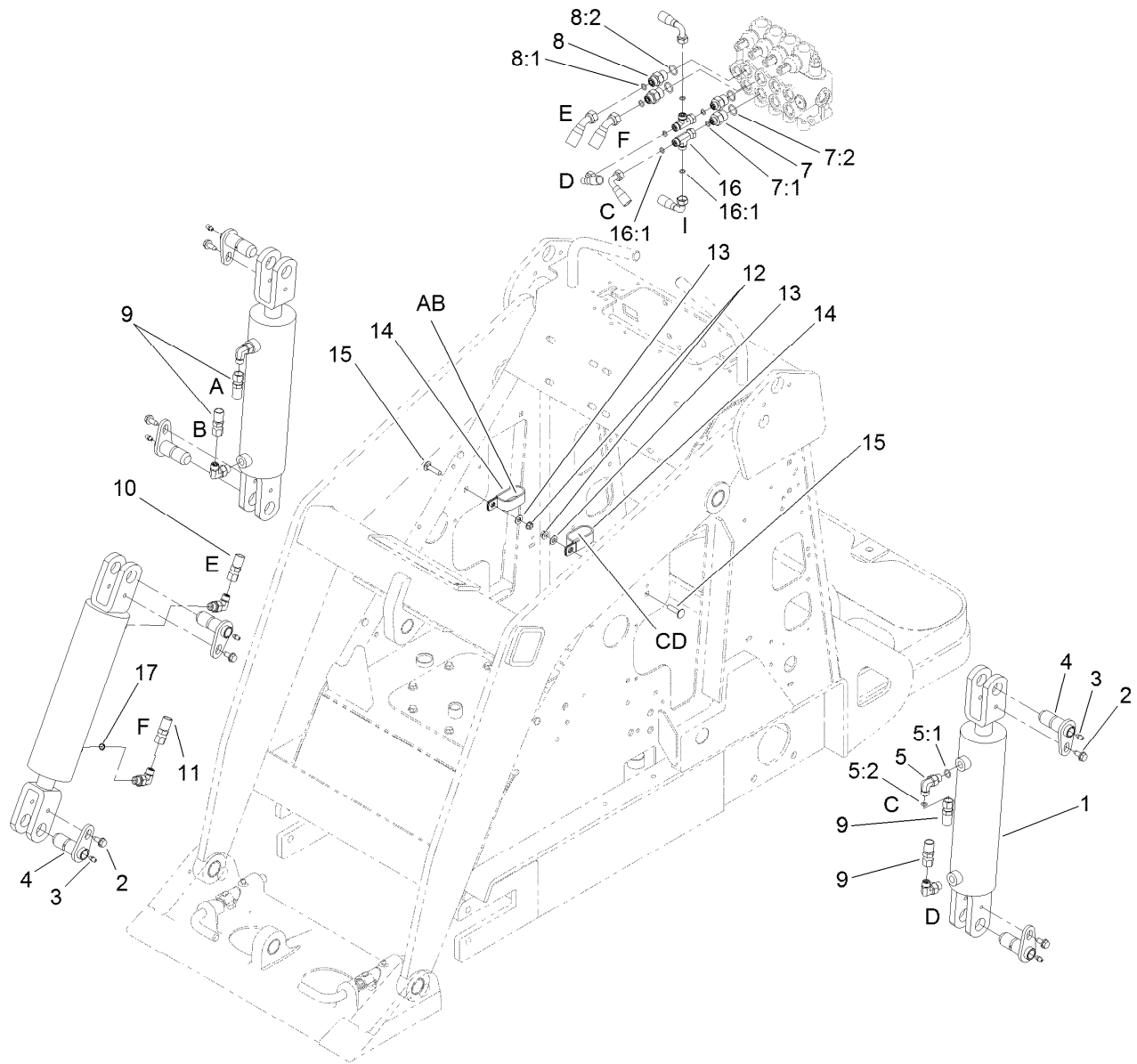
Ref.	Part Number	Qty.	Description	Ref.	Part Number	Qty.	Description
28:1	237-79	1	O-Ring	33	321-5	1	Screw-HH
28:2	237-151	1	O-Ring	34	3253-3	1	Washer-Lock
29	340-109	1	Fitting-HYD, Tee	35	105-4068	3	Screw-Set, HSH
29:1	237-79	1	O-Ring	36	108-9731-03	1	Plate-Cover
29:2	237-30	2	O-Ring	37	32144-4	4	Screw-HWH
30	340-5	1	Fitting-Straight	39	321-11	1	Screw-HH
30:1	237-42	1	O-Ring	40	3256-22	2	Washer-Flat
30:2	237-30	1	O-Ring	41	106-8189	1	Spacer
31	108-4717	1	HYD Tube ASM	42	32128-32	2	Nut-HHF
32	105-7882	1	Relief Valve ASM	43	106-8188	1	Spacer
32:1	105-8358	1	Cartridge-Valve, Relief	44	321-23	1	Screw-HH
32:2	105-8357	1	Seal Kit ●	45	3290-379	2	Tie-Cable

● Not illustrated



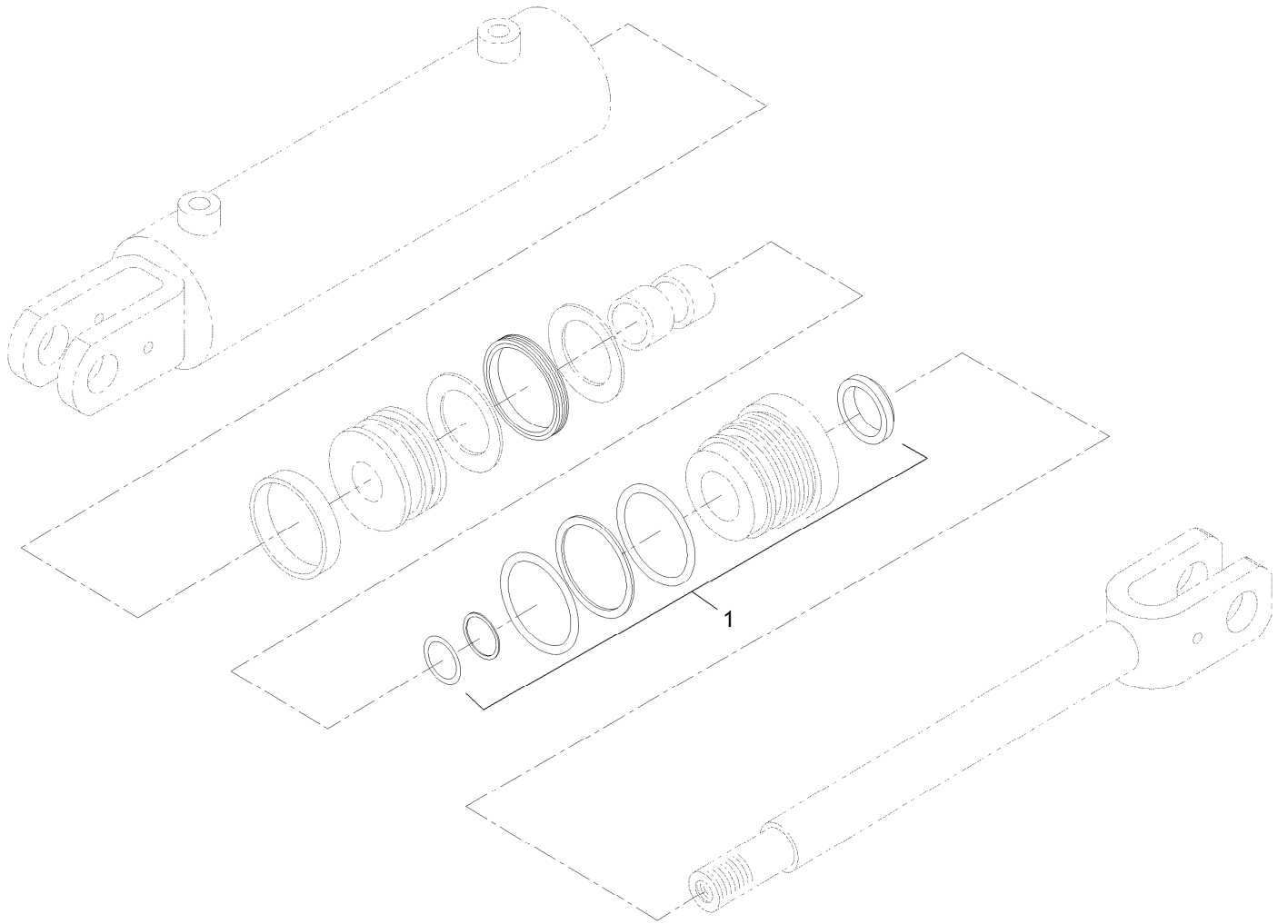
Hydraulic Valve Assembly No. 105-6246

<i>Ref.</i>	<i>Part Number</i>	<i>Qty.</i>	<i>Description</i>
1	100-8801	4	High Force Spring Kit
1	100-8800	4	Standard Spring ASM
2	100-8802	8	Screw-Cap, End
3	100-8805	1	Valve-Relief
4	100-8806	8	Screw
5	100-8807	4	Operator ASM
6	100-8829	4	Boot
7	99-4390	1	Seal Kit
7:1	99-3074	4	Gasket
7:2	99-3075	8	Gasket
8	105-8441	4	Spool-Valve



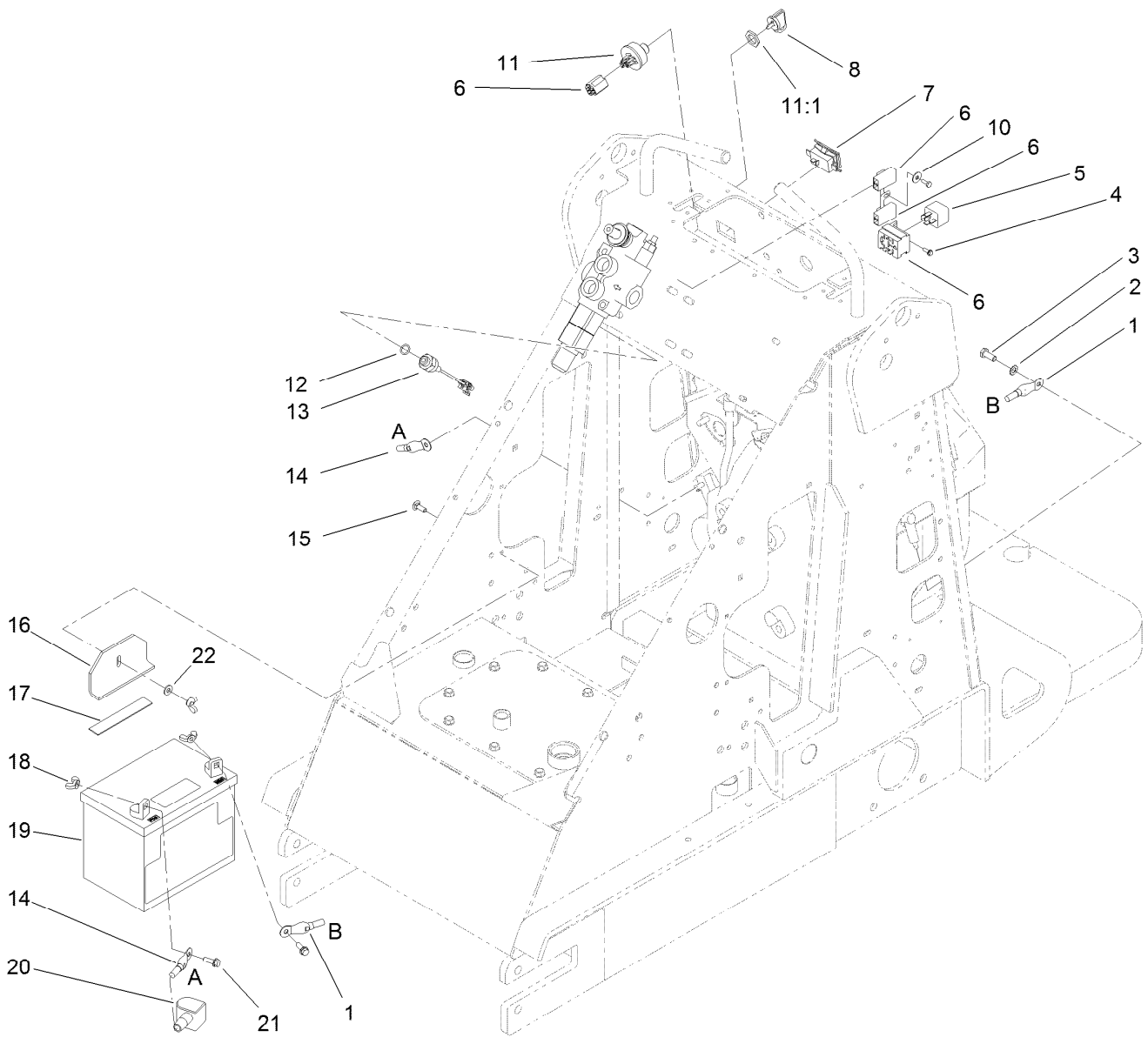
Hydraulic Cylinder Assembly

Ref.	Part Number	Qty.	Description	Ref.	Part Number	Qty.	Description
1	105-7867	3	HYD Cylinder ASM	8:2	237-79	1	O-Ring
2	99-5105	6	Bolt-Shoulder	9	98-4725	4	Hose-HYD
3	302-5	6	Fitting-Grease	10	98-4727	1	Hose-HYD
4	112-2609	6	Pivot Pin ASM	11	98-4726	1	Hose-HYD
5	340-82	6	Adapter	12	3296-29	2	Nut-Lock, NI
5:1	237-42	1	O-Ring	13	3256-23	2	Washer-Flat
5:2	237-21	1	O-Ring	14	2412-137	2	Clamp-R, Double
7	340-133	2	Adapter	15	3230-3	2	Screw-CARR
7:1	237-79	1	O-Ring	16	340-151	2	Fitting
7:2	237-21	1	O-Ring	16:1	237-75	3	O-Ring
8	340-3	2	Adapter	17	108-4714	1	Orifice-Port Insert, One Way
8:1	237-22	1	O-Ring				



Hydraulic Cylinder Assembly No. 105-7867

<i>Ref.</i>	<i>Part Number</i>	<i>Qty.</i>	<i>Description</i>
1	105-8356	1	Seal Kit

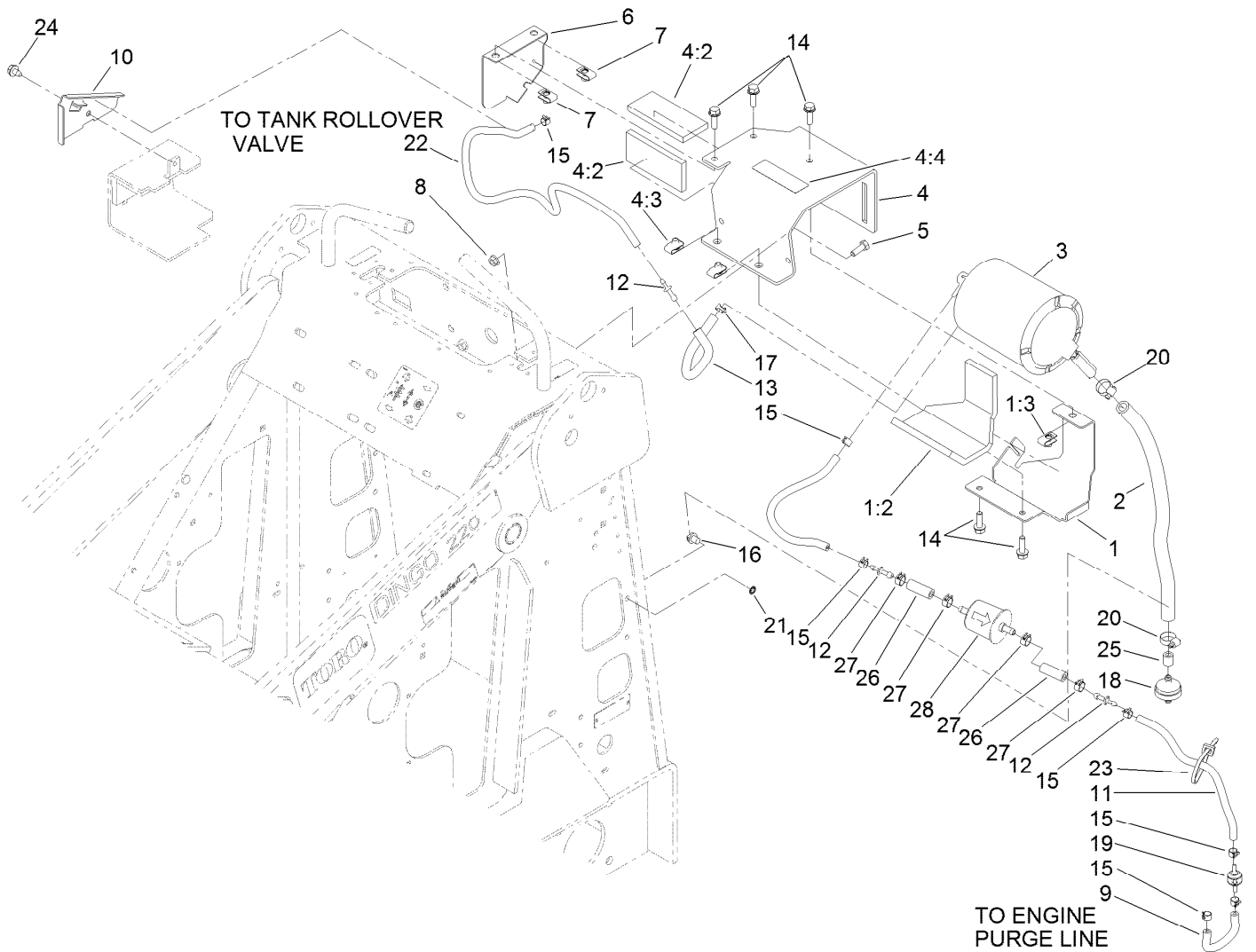


Electrical Assembly

Ref.	Part Number	Qty.	Description	Ref.	Part Number	Qty.	Description
1	111074	1	Cable-Black	12	237-42	1	O-Ring
2	3255-8	1	Washer-Lock	13	72-4310	1	Switch-Ball
3	33114-020	1	Screw-HH	14	92-6989	1	Wire-21 Inch
4	32144-87	2	Screw-HWHTF	15	3229-2	1	Screw-CARR
5	98-7249	1	Relay	16	105-8401-03	1	Clamp-Battery
6	98-4650	1	Harness-Electrical	17	94-9566	1	Pad-Footrest
7	106-8175	1	Meter-Hour	18	32103-22	3	Nut-Wing
8	63-8360	2	Key-Ignition (W/Shield)	19	104-2492	1	Battery
10	3256-49	1	Washer-Flat	20	77-0981	1	Boot-Terminal, Red
11	116338	1	Key Switch ASM	21	3234-4	2	Screw-HHF
11:1	101884	1	Nut	22	3256-22	1	Washer-Flat
11:2	9201604	1	Washer-Lock ■●				

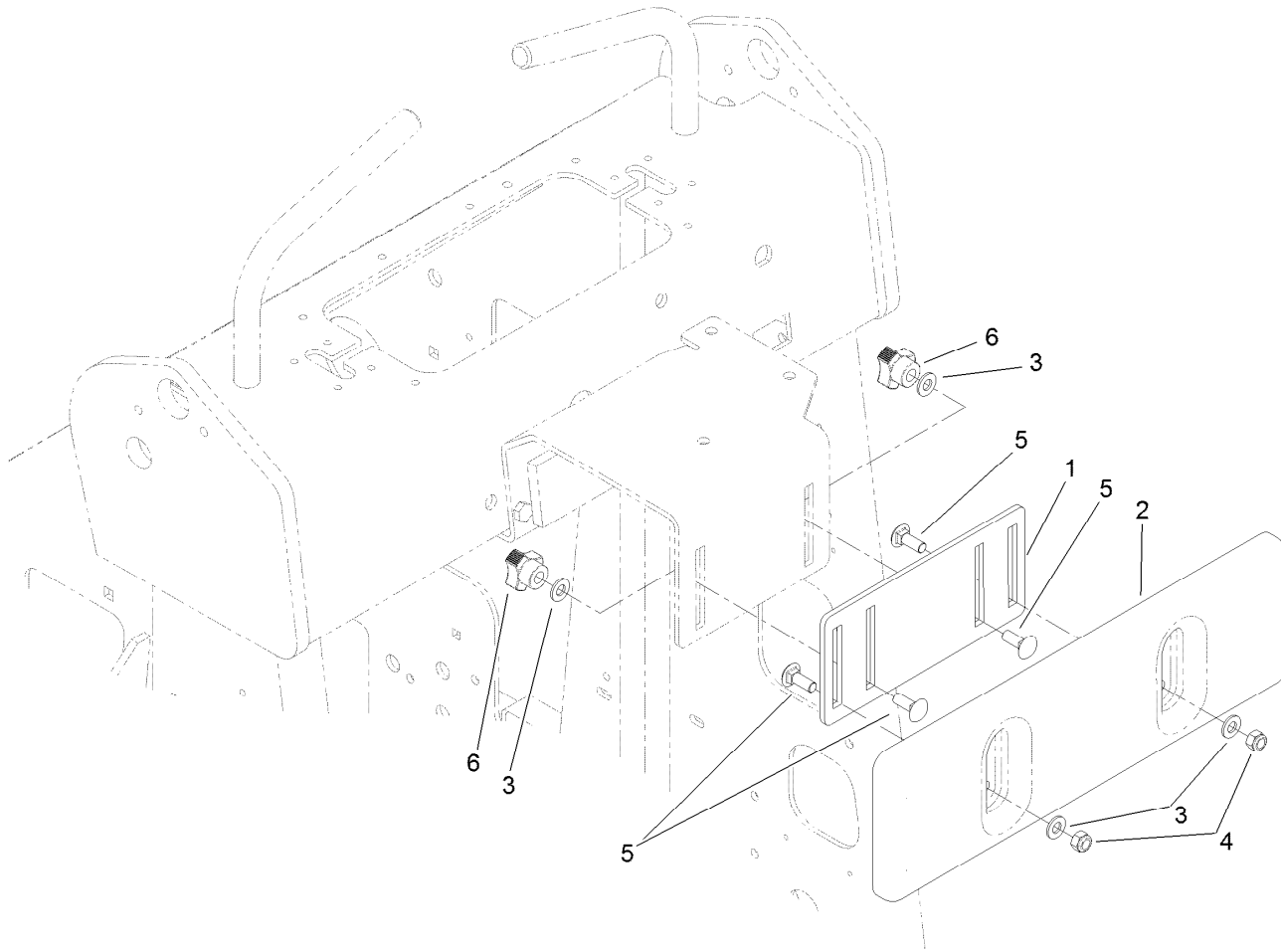
● Not illustrated

■ Not used for this configuration



Fuel Tank Vent Assembly

Ref.	Part Number	Qty.	Description	Ref.	Part Number	Qty.	Description
1	117-1821	1	Canister Mount ASM	13	109-0294	1	Hose-Fuel
1:2	117-1799	1	Pad-Foam	14	3234-29	5	Screw-HHF
1:3	115-7721	1	Nut-Clip, U	15	2412-146	7	Clamp-Hose
2	106-5709	1	Hose-Vent	16	32180-030	1	Clip-Harness W/Cable Tie
3	116-1442	1	Canister-Carbon, 1200Cc	17	2412-98	1	Clamp-Hose
4	117-1820	1	Canister Bracket ASM	18	115-7854	1	Filter-Fuel, Inline
4:2	117-1798	2	Pad-Foam	19	115-7868	1	Valve-Check, Vacuum
4:3	115-7721	2	Nut-Clip, U	20	2412-36	2	Clamp-Hose
4:4	104-6108	1	Decal-Manual	21	3254-8	1	Washer-Lock
5	322-4	2	Screw-HH	22	119-6074	1	Hose-Fuel
6	117-1785-03	1	Cover-Canister	23	3290-378	1	Tie-Cable
7	115-7721	2	Nut-Clip, U	24	9266934	1	Screw
8	32128-20	2	Nut-HF	25	117-1789	1	Hose-Fuel
9	115-4736	1	Hose-Fuel	26	106-5317	2	Hose-Fuel
10	117-1792-03	1	Plate-Hose Retainer, RH	27	92-2379	4	Clamp-Hose
11	51-3217	2	Hose-Fuel	28	120-2235	1	Filter-Air
12	106-8150	3	Fitting-Straight				



Thigh Support Assembly

Ref.	Part Number	Qty.	Description
1	105-0337-03	1	Plate-Adjusting
2	105-0333	1	Support-Thigh
3	3256-70	4	Washer-Flat
4	3296-72	2	Nut-Lock, NI
5	3230-16	4	Screw-CARR
6	104-6156	2	Knob-Adjustment

Attachments and Accessories

For 22317 Dingo 220 Compact Utility Loader

Product Name	Model/Part
Tire Chain Kit	100-4140
Helmet-Face Shield	100-4143
Light Kit.....	100-8940
Narrow Tire ASM	104-0572
Remote Air Cleaner Kit	104-4635
Thigh Support Kit	105-0330
Tube-Tire (18 x 8.50-10)	105-4070
Rubber Foot Mat.....	105-5805
Tube-Tire (18 X 8.50-8).....	106396
4 Cubic Foot Standard Bucket	22409
Loose Materials Bucket	22410
48in Hydraulic Blade	22414
Rotary Broom	22415
Counterweight	22417
Bore Drive Head	22420
Rod And Reamer	22421
Multi-Purpose Tool.....	22423
Power Box Rake	22425
Stump Grinder	22429
Tree Forks	22438
Cement Bowl	22442
The Eliminator Scarifier/Groomer	22443
40in Tiller	22445
Snowthrower.....	22456
Trencher Head.....	22470
High-Speed Trencher Head	22471
Narrow Bucket.....	22520
Auger Head	22802
Universal Swivel Auger Head	22803
Vibratory Plow	22911
Soil Cultivator	23101
Seeder Box Kit, Soil Cultivator	23120
Concrete Breaker	23135
Backhoe.....	23163
Adjustable Forks.....	23164
Leveler.....	23165
LH Wheel And Tire ASM	98-2747
Wheel and Tire ASM.....	98-4709
Spark Arrestor	98-9099
RH Wheel And Tire ASM	99-1447
RH Wheel And Tire ASM (Powerlug)	99-3140
LH Wheel And Tire ASM (Powerlug).....	99-3141
Hydraulic Relief Valve Kit.....	99-4360

Notes:

Notes:

Notes:



Count on it.