



**Count on it.**

**Parts Catalog**

**Workman® MD Utility Vehicle**

Model No. 07266—Serial No. 290000001 and Up



# Ordering Replacement Parts

To order replacement parts, please supply the part number, the quantity, and the description of each part desired.

## Understanding Reference Numbers

Each identified part in an illustration has a reference number. The reference number for a part also appears in the parts list, along with other information about the part.

This catalog uses two special reference number formats, one to indicate parts in a service assembly and another to indicate the quantity of a given part in an illustration.

## Service Assembly Reference Numbers

Parts in service assemblies have reference numbers in the form a:b. The a represents the reference number of the entire service assembly and the b represents a sequential number unique to each part within the service assembly.

For example, a wheel assembly might be identified by reference number 6, the tire by 6:1, the valve by 6:2, and the wheel by 6:3. When you order the assembly identified by reference number 6, you receive all parts identified by reference numbers 6:1, 6:2, and 6:3. However, you may also order any part individually. Reference numbers of this type appear in illustration and in parts lists.

## Reference Numbers Indicating Quantity

In an illustration, if a reference number indicates more than one part, the reference number has the form nX y. The n represents the quantity of the part, the X is the multiplication symbol, and the y represents the reference number.

For example, in an illustration, the reference number 2X 37 means that two of the parts identified by reference number 37 are indicated.

# List of Abbreviations

**AR:** as required

**ASM:** assembly

**BBC:** blade brake control

**BHTF:** button head thread forming

**CARR:** carriage

**CCW:** counter clockwise

**CW:** clockwise

**DEG:** degrees

**DPA:** Dual Point Adjustment

**ECM:** electronic control module

**EXT:** external

**FH:** flat head

**GA:** gauge

**HD:** heavy-duty

**HF:** hex flange

**HH:** hex head

**HHF:** hex head flange

**HHFTF:** hex head flange thread forming

**HJ:** hex jam

**HLH:** hex lag head

**HOC:** height-of-cut

**HSBH:** hex socket button head

**HSFH:** hex socket flat head

**HSH:** hex socket head

**HWH:** hex washer head

**HWHTF:** hex washer head thread forming

**HYD:** hydraulic

**LH:** left hand

**LPG:** Liquid Propane Gas

**NI:** nylon insert

**NPTF:** national pipe thread fine

**PFH:** phillips flat head

**PPH:** phillips pan head

**PPHTF:** phillips pan head thread forming

**PRH:** phillips round head

**PTH:** phillips truss head

**PTO:** power-take-off

**RH:** right hand

**ROPS:** roll-over protection system

**RRB:** rear roller brush

**SFH:** slotted fillister head

**SHH:** slotted hex head

**SHWH:** slotted hex washer head

**SPH:** slotted pan head

**SQH:** square head

**SRH:** slotted round head

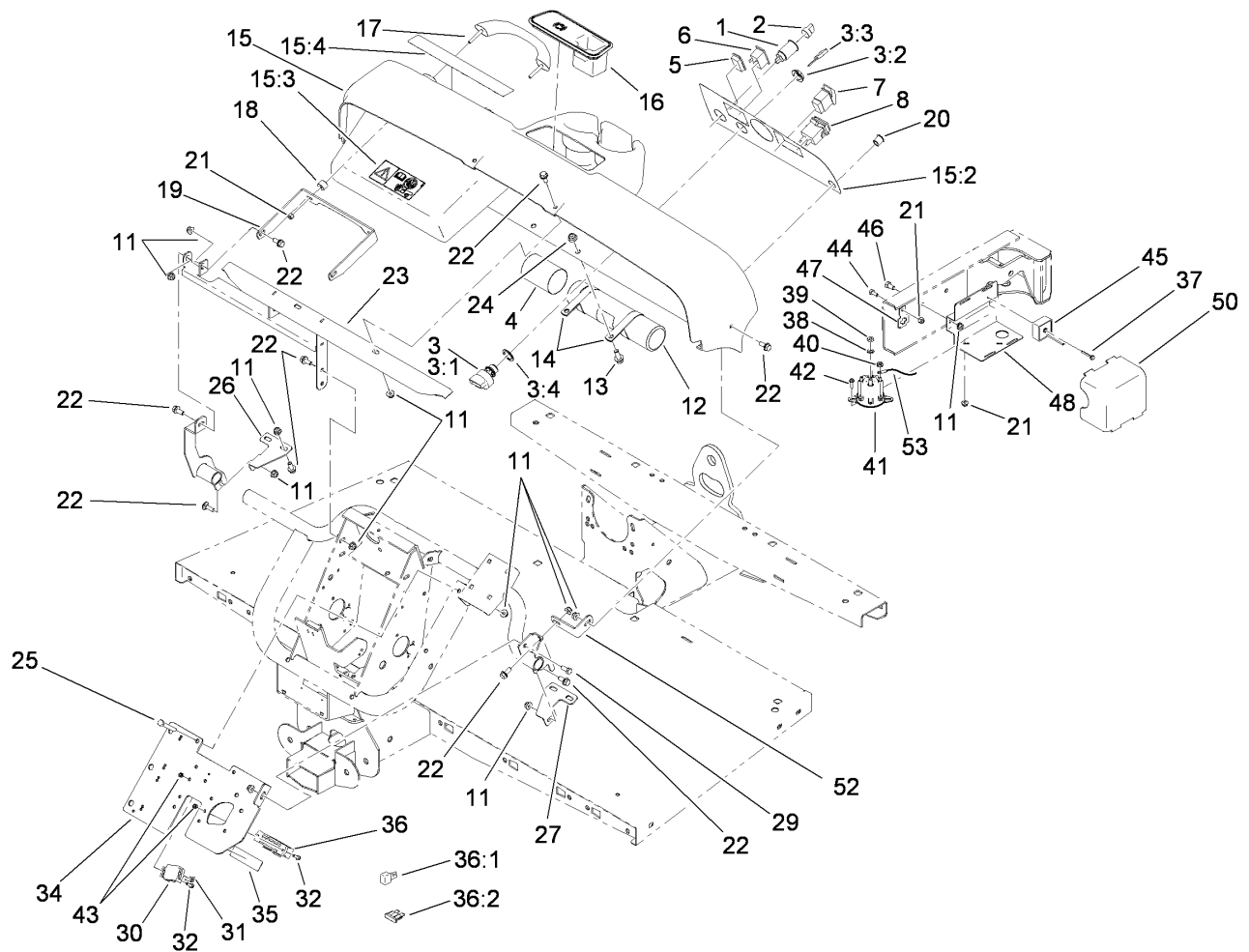
**STD:** standard

**TAP:** self tapping

**TTH:** torx truss head

# Contents

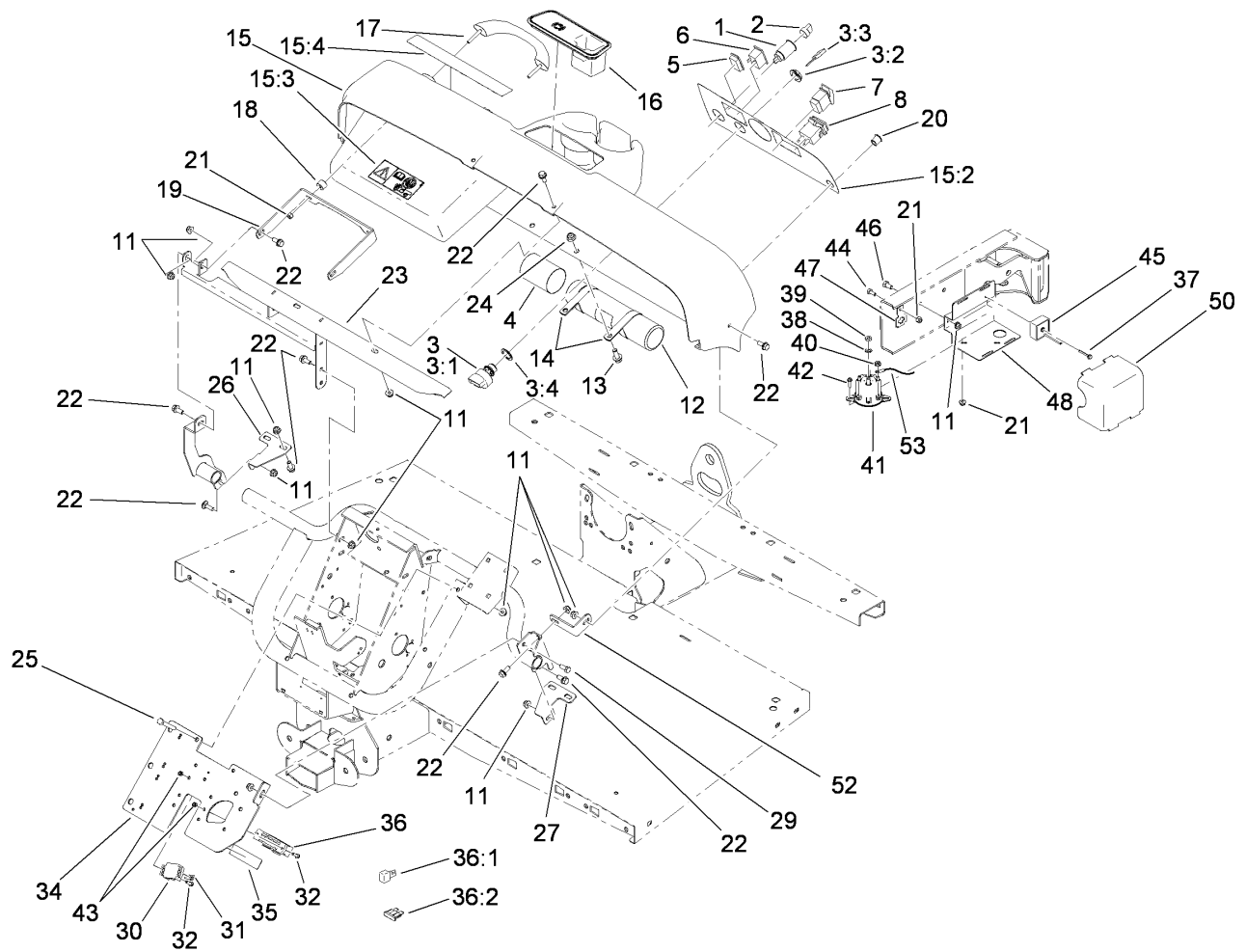
Dash Assembly	4
Pedal Box Assembly	6
Shifter Assembly	7
Front Frame Assembly	8
Seat Base Assembly	9
Front Tire, Spindle and Tie Rod Assembly	10
Rear Tire and Transaxle Assembly	11
Transaxle Assembly No. 115-2300	12
LH Rear Brake Assembly No. 114-8332	14
RH Rear Brake Assembly No. 114-8331	15
Driven Clutch Assembly No. 99-7104	16
Upper Steering Assembly	17
Steering Box Assembly No. 112-3130	18
Box and Tailgate Installation Assembly	19
Box and Tailgate Assembly	20
Hood and Fender Assembly	21
Frame Assembly	22
Engine and Clutch Assembly	23
Drive Clutch Assembly No. 108-7014	25
Starter Generator Assembly No. 99-7108	26
Air Cleaner Assembly No. 99-7120	27
Master Cylinder and Brake Line Assembly	28
Master Cylinder Assembly No. 104-6782	29
Crankshaft Assembly Kohler CS12 PA-941621	30
Crankcase Assembly Kohler CS12 PA-941621	31
Oil Pan and Lubrication Assembly Kohler CS12 PA-941621	32
Head, Valve and Breather Assembly Kohler CS12 PA-941621	33
Ignition and Electrical Assembly Kohler CS12 PA-941621	34
Blower Housing and Baffle Assembly Kohler CS12 PA-941621	35
Fuel System Assembly Kohler CS12 PA-941621	36
Air Intake and Filtration Assembly Kohler CS12 PA-941621	37
Exhaust Assembly Kohler CS12 PA-941621	38
Attachments and Accessories	39



## Dash Assembly

Ref.	Part Number	Qty.	Description	Ref.	Part Number	Qty.	Description
1	99-7411	1	Point-Power	20	94-5627	1	Plug
2	99-7416	1	Cap	21	104-7201	5	Nut-HF
3	112-3323	1	Ignition Switch ASM	22	110-5053	15	Screw-HHF
3:1		1	Switch-Ignition ●	23	115-7651-03	1	Dash Support ASM
3:2	108-8660	1	Nut-Mounting	24	104-8301	2	Nut-Flange, NI
3:3	99-7418	1	Key-Ignition	25	322-11	2	Screw-HH
3:4	108-8659	1	Washer-Backup	26	114-8304	1	Bracket-Dash Mount, RH
4	104-7048	1	Cap-Housing	27	114-8312	1	Bracket-Dash Mount, LH
5	99-7420	1	Plug-Hole	29	322-3	1	Screw-HH
6	99-7410	1	Indicator-Light, Low-Oil Pressure	30	42862	1	Block-Terminal, Ground
7	95-8999	1	Switch	31	42863	1	Strip-Jumper
8	94-4208	1	Hourmeter	32	32105-13	4	Screw-HWH
11	104-8300	20	Nut-Flange, NI	34	112-3376-03	1	Plate-Mount, Electrical
12	104-7050	1	Tube-Manual	35	112-3325	1	Decal-Block, Fuse
13	3234-11	2	Screw-HHF	36	115-8137	1	Harness-Wire, Main
14	2412-133	2	R-Clamp	36:1	100-4918	1	Diode
15	114-8310	1	Dash ASM	36:2	218-578	3	Fuse-Blade, 10 Amp
15:2	117-5001	1	Decal-Panel, Control	37	100-4352	1	Screw-HWH
15:3	104-6581	1	Decal-Danger	38	3255-8	2	Washer-Lock
15:4	115-2412	1	Decal-No Storage	39	3220-2	2	Nut-Jam
16	104-6930	1	Plug-Rubber	40	32149-8	2	Nut-Keps
17	112-3320	1	Handle-Grip	41	114-3315	1	Solenoid-12 Vdc
18	114-8301	2	Spacer	42	3234-33	2	Screw-HHF
19	112-3391-03	1	Bracket-Grip, Handle	43	3296-2	4	Nut-Lock, NI
				44	321-3	1	Screw-HH

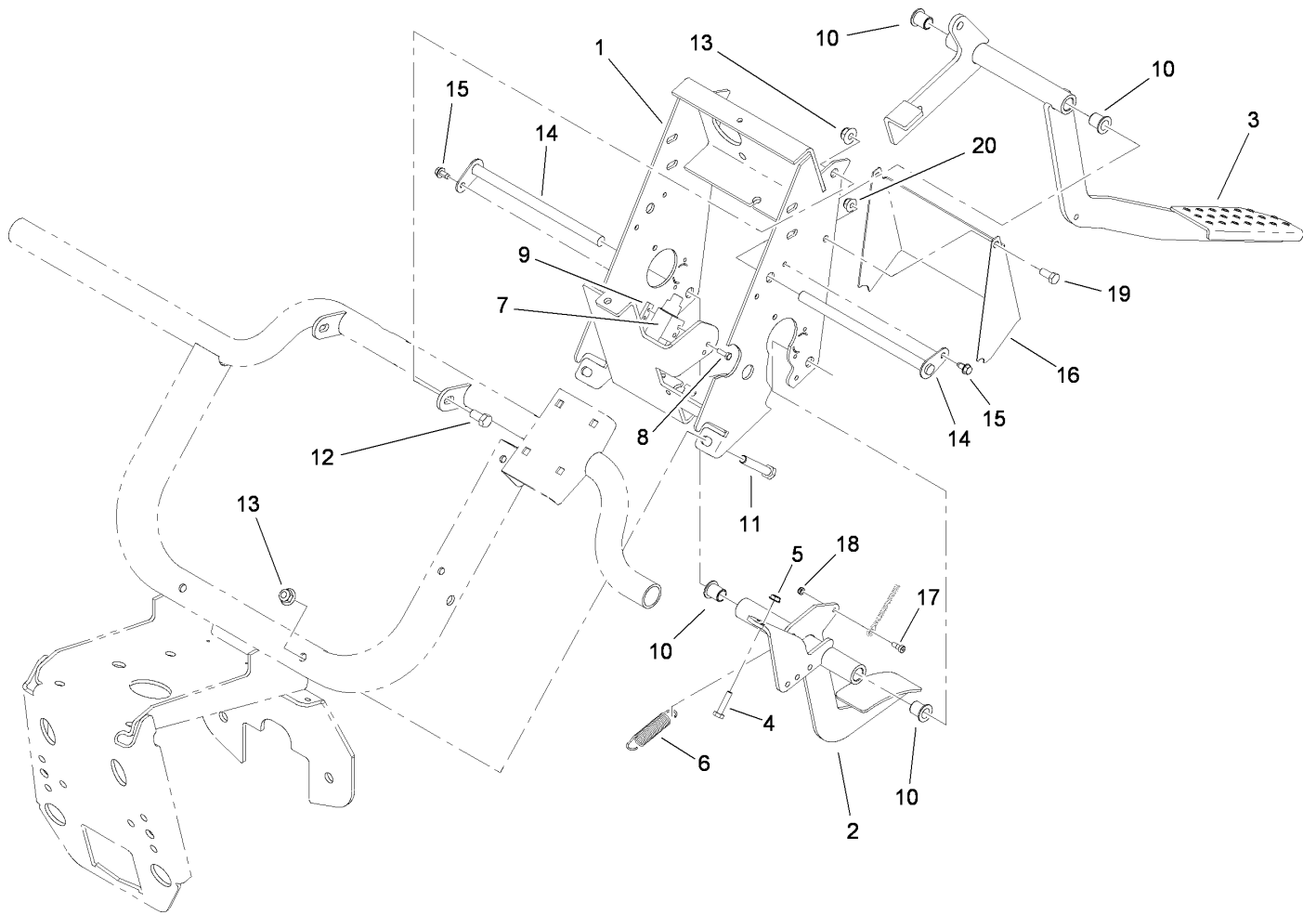
● Not serviced separately



## Dash Assembly (continued)

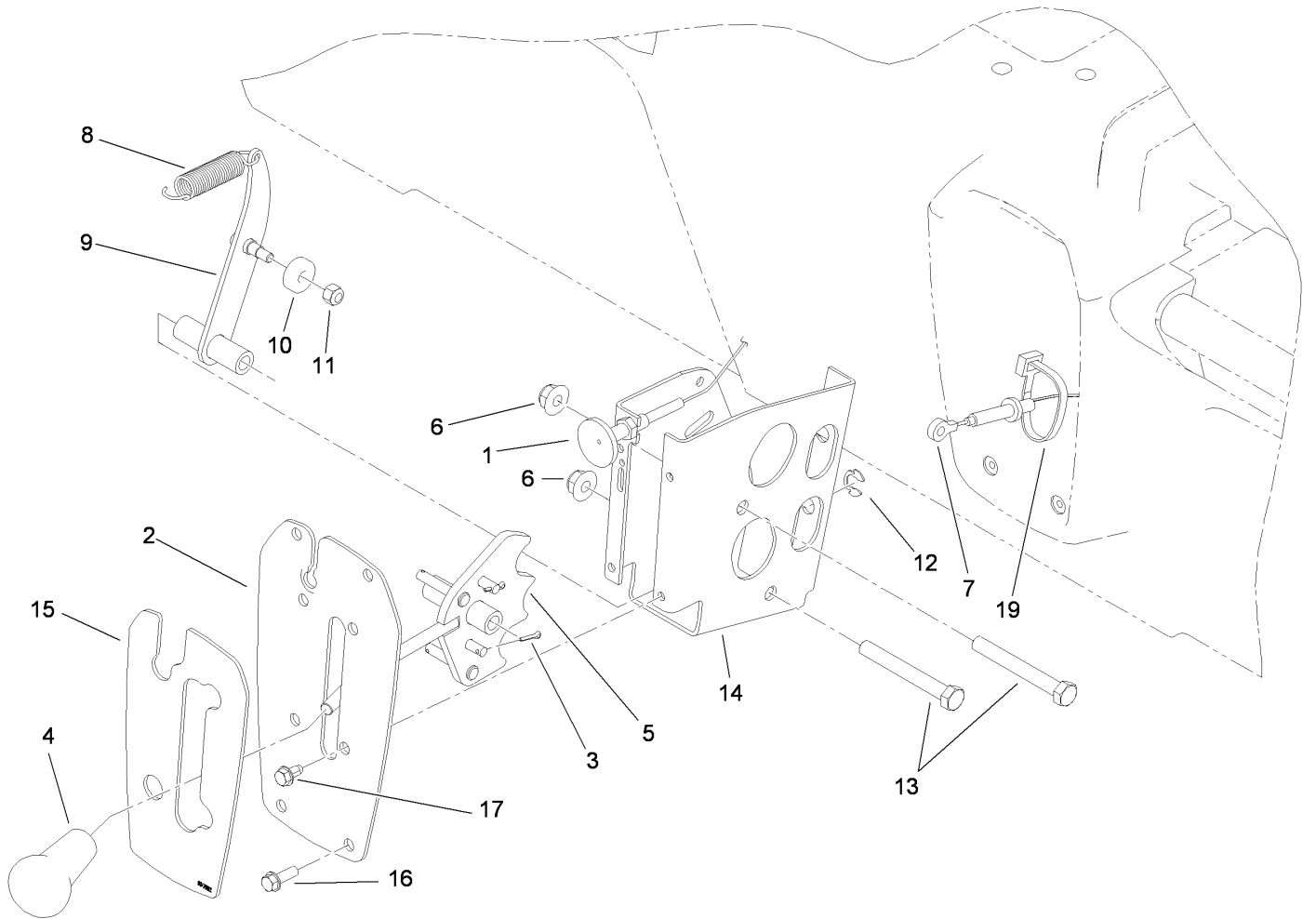
<i>Ref.</i>	<i>Part Number</i>	<i>Qty.</i>	<i>Description</i>	<i>Ref.</i>	<i>Part Number</i>	<i>Qty.</i>	<i>Description</i>
45	104-6927	1	Regulator	50	112-3027	1	Cover-Controller
46	322-2	2	Screw-HH	52	114-8305	1	Angle-Mount, Dash (LH)
47	114-5502	1	Clip-Fuse	53	112-3537	1	Cable-Battery, Positive
48	112-3025-03	1	Mount-Component				

● Not serviced separately



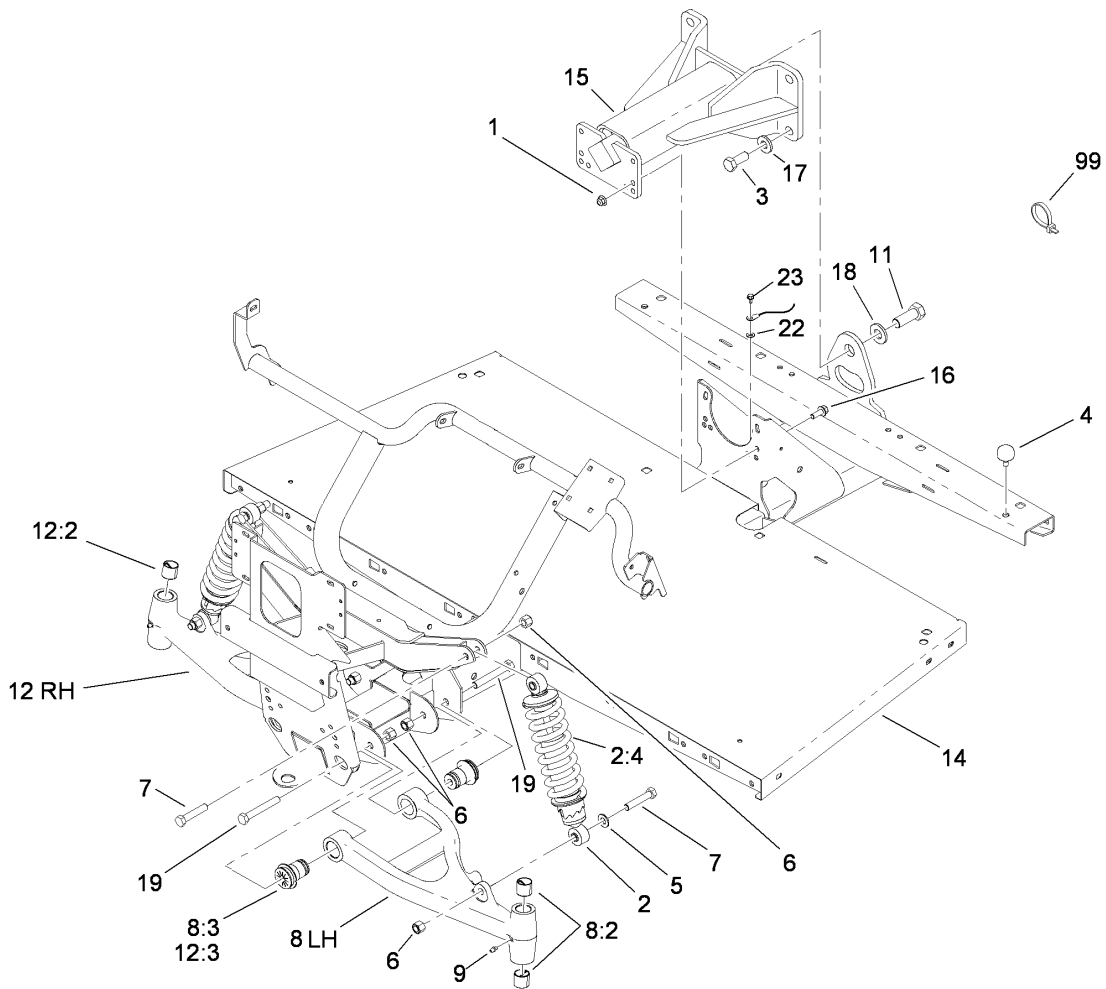
## Pedal Box Assembly

<b>Ref.</b>	<b>Part Number</b>	<b>Qty.</b>	<b>Description</b>
1	112-3317-03	1	Pedal Support Frame ASM
2	115-7630-03	1	Throttle Pedal ASM
3	112-3314-03	1	Brake Pedal ASM
4	321-7	2	Screw-HH
5	32149-2	2	Nut-Keps
6	104-6415	1	Spring-Return, Pedal
7	99-7407	1	Switch
8	3290-134	2	Screw
9	1-633181	1	Plate-Tapped
10	256-155	4	Bushing-Flange
11	323-11	2	Screw-HH
12	323-4	2	Screw-HH
13	104-8301	4	Nut-Flange, NI
14	104-7164	2	Pivot-Pedal
15	12-3270	2	Screw
16	115-7619-03	1	Cover
17	115-7632	1	Bolt-Shoulder
18	3296-47	1	Nut-Lock, NI
19	322-3	2	Screw-HH
20	104-8300	2	Nut-Flange, NI



## Shifter Assembly

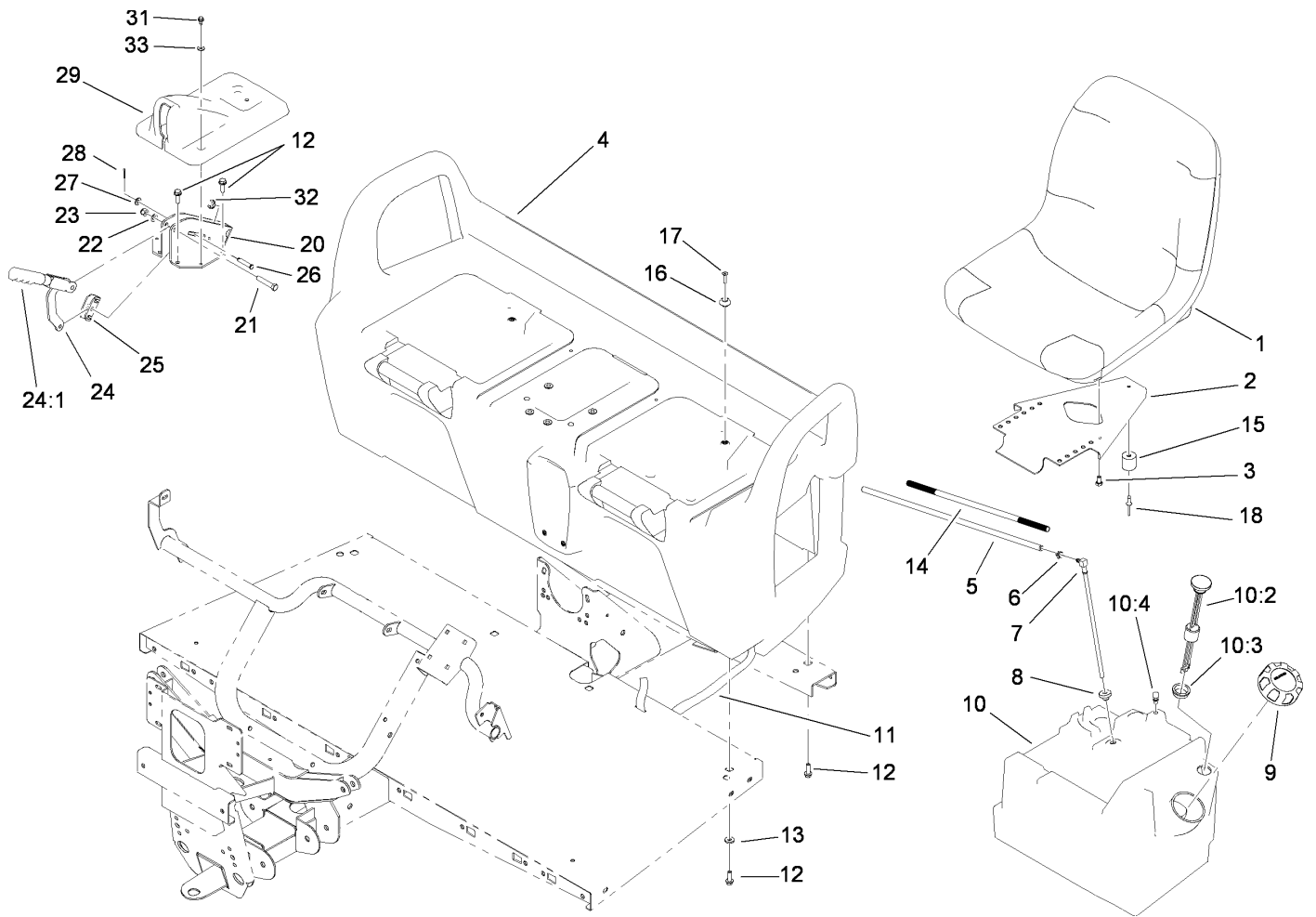
<i>Ref.</i>	<i>Part Number</i>	<i>Qty.</i>	<i>Description</i>
1	104-6507	1	Cable-Choke
2	99-7887-03	1	Plate-Shifter
3	3272-5	2	Pin-Cotter
4	99-7981	1	Knob-Grip, Soft
5	114-2719	1	Plate-Detent
6	104-8301	2	Nut-Flange, NI
7	114-8323	2	Cable-Shift
8	104-6415	1	Spring-Return, Pedal
9	108-3138	1	Arm-Detent
10	251-307	1	Bearing-Ball
11	3296-42	1	Nut-Lock, NI
12	32151-101	2	E-Ring
13	323-14	2	Screw-HH
14	108-3141-03	1	Bracket-Shift
15	99-7952	1	Decal-Shifter
16	32105-15	4	Screw
17	12-3270	4	Screw
19	3290-378	1	Tie-Cable



## Front Frame Assembly

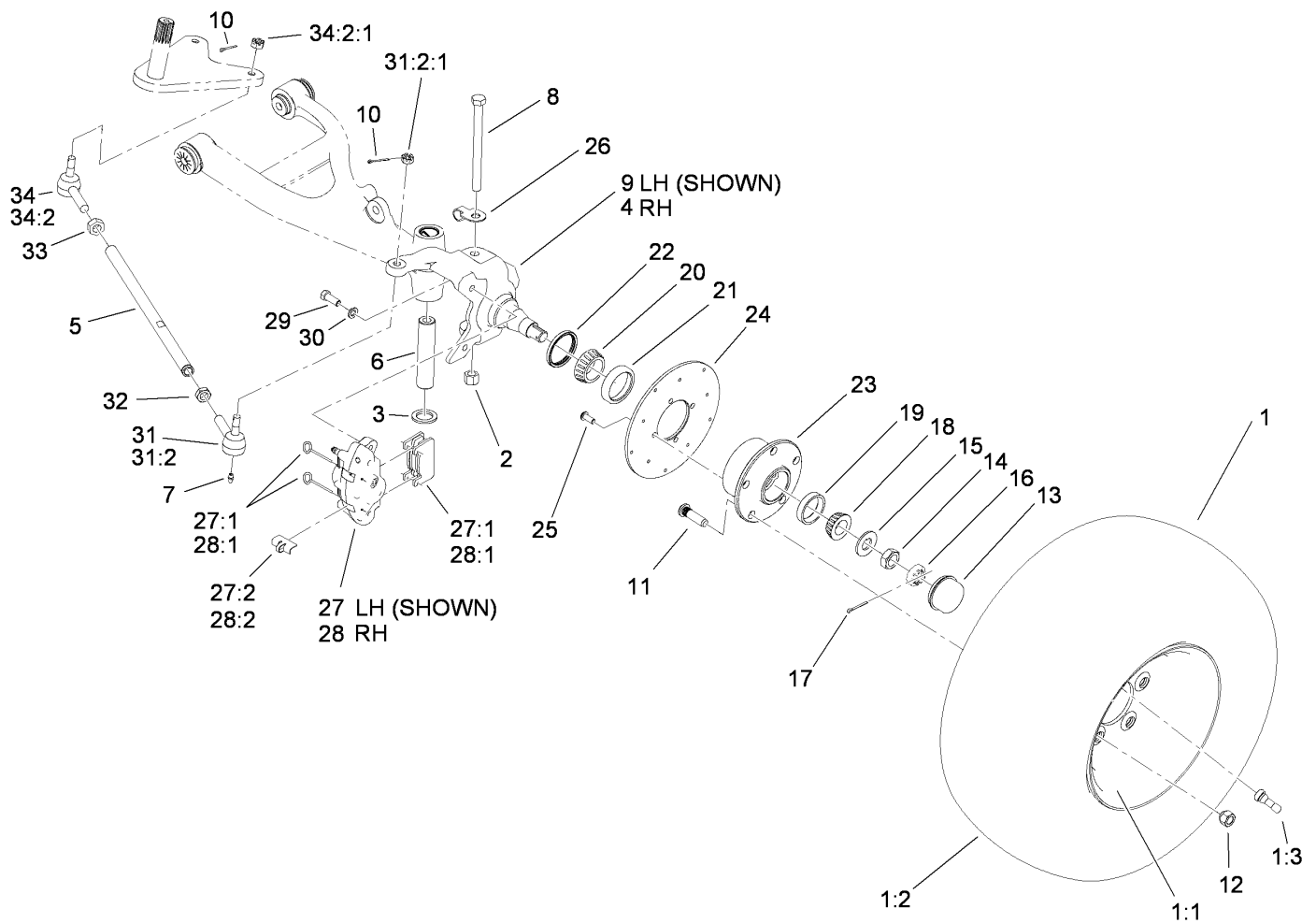
<i>Ref.</i>	<i>Part Number</i>	<i>Qty.</i>	<i>Description</i>
1	104-8301	4	Nut-Flange, NI
2	112-2975	2	Shock/Spring ASM
2:4	112-3383	1	Spring
3	327-4	4	Screw-HH
4	87-2440	1	Bumper-Rubber
5	3256-26	2	Washer-Flat
6	3296-23	8	Nut-Lock, NI
7	325-10	4	Screw-HH
8	114-8313	1	LH A-Arm ASM
8:2	3-0348	2	Bushing
8:3	87-1450	2	Bushing-Flange
9	302-5	2	Fitting-Grease
11	328-24	1	Screw-HH

<i>Ref.</i>	<i>Part Number</i>	<i>Qty.</i>	<i>Description</i>
12	114-8314	1	RH A-Arm ASM
12:2	3-0348	2	Bushing
12:3	87-1450	2	Bushing-Flange
14	112-3340-03	1	Front Frame ASM
15	99-7700	1	Pivot Yoke ASM
16	3234-11	4	Screw-HHF
17	99-7667	4	Washer-Flat
18	87-3060	1	Washer-Hardened
19	325-14	4	Screw-HH
22	3254-16	1	Washer-Lock/Int
23	12-3270	1	Screw
99	3290-379	12	Tie-Cable



## Seat Base Assembly

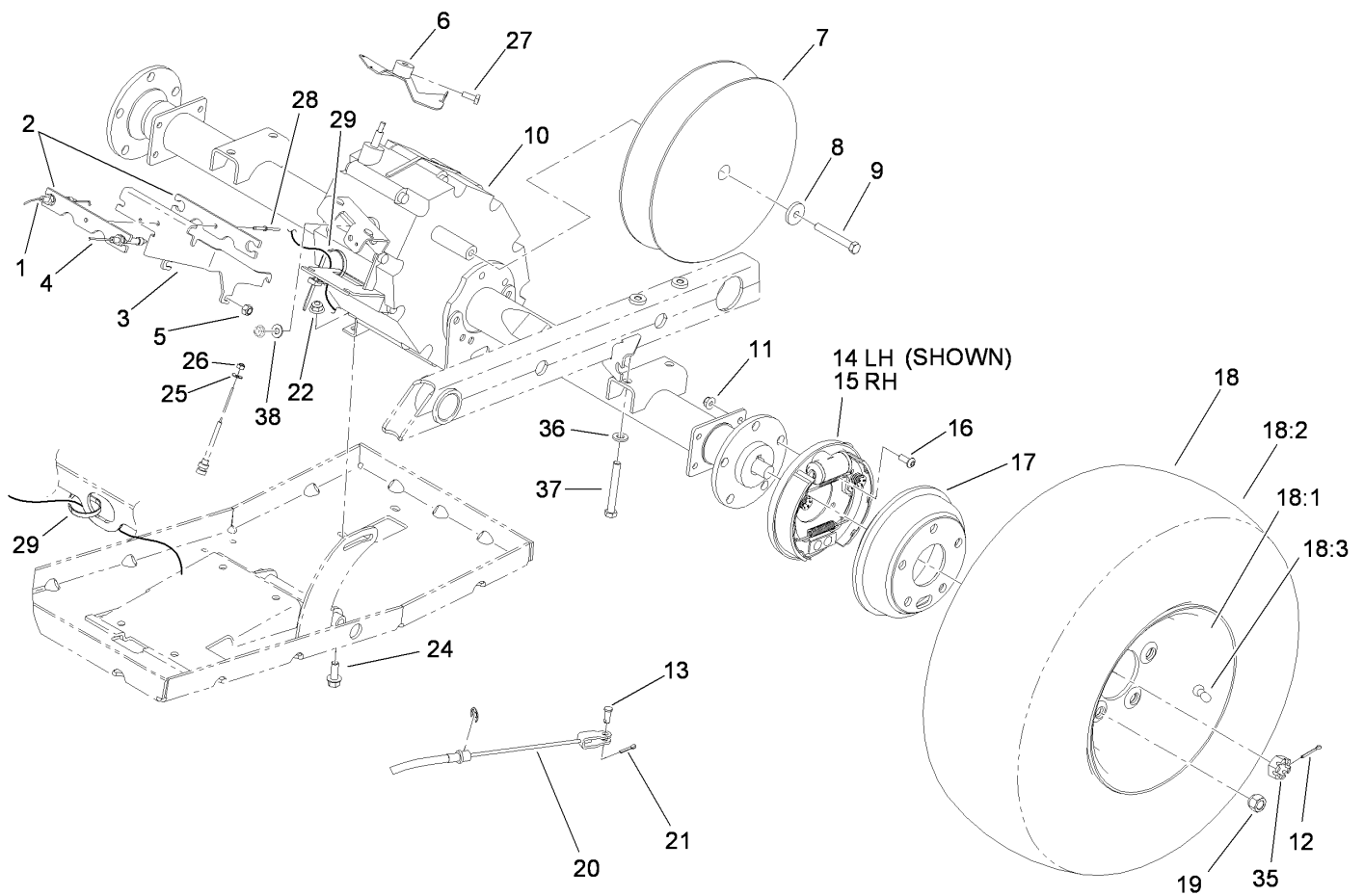
<i>Ref.</i>	<i>Part Number</i>	<i>Qty.</i>	<i>Description</i>	<i>Ref.</i>	<i>Part Number</i>	<i>Qty.</i>	<i>Description</i>
1	112-2923	2	Seat ASM	16	99-7833	2	Post-Holding
2	99-7829	2	Bracket-Seat	17	32108-5	2	Screw-FH
3	33114-016	8	Screw-HH	18	3290-412	2	Rivet
4	104-6847	1	Seat Base ASM	20	104-6844-03	1	Support-Brake, Park
5	110-4103	1	Hose-Fuel	21	323-10	1	Screw-HH
6	2412-98	1	Clamp-Hose	22	3290-477	1	Washer-Curved
7	99-7264	1	Pipe-Stand	23	3296-39	1	Nut-Lock, NI
8	46-6560	1	Bushing	24	104-6842	1	Lever-Brake, Park
9	95-4192	1	Unleaded Gas Cap ASM	24:1	106-7972	1	Grip-Handle
10	99-7323	1	Fuel Tank ASM	25	87-3480	1	Bracket-Equalizer, Cable
10:2	99-7262	1	Gauge-Fuel	26	94-3829	1	Pin-Clevis
10:3	95-8972	1	Grommet	27	3256-23	1	Washer-Flat
10:4	99-7267	1	Vent-Air	28	3272-6	1	Pin-Cotter
11	3339-175	1	Strapping-Web, 48 Inch	29	104-7014	1	Cover-Brake, Parking
12	3234-17	12	Screw-HHF	31	12-3270	2	Screw
13	88-7200	8	Washer-Flat	32	32120-47	2	Ring-Retaining, External
14	112-3337	1	Conduit-Line, Fuel	33	3256-1	2	Washer-Flat
15	99-7830	2	Rubber Receptical ASM				



## Front Tire, Spindle and Tie Rod Assembly

Ref.	Part Number	Qty.	Description	Ref.	Part Number	Qty.	Description
1	104-7290	2	Tire And Wheel ASM	21	254-107	2	Cup-Bearing, Tapered
1:1	104-7288	1	Wheel	22	108-7019	2	Seal-Shaft
1:2	104-7289	1	Tire	23	104-6809	2	Hub
1:3	232-27	1	Stem-Valve	24	104-6891	2	Rotor
2	3296-23	2	Nut-Lock, NI	25	3274-55	8	Screw-HSBH
3	256-115	2	Washer-Thrust	26	112-3311	2	Clip-Hose
4	112-3167	1	Spindle-RH	27	112-3150	1	Caliper-LH
5	115-7654	2	Tie Rod	27:1	107-0708	1	Friction Pad And Pin Kit
6	99-7499	2	Sleeve-Kingpin	27:2	112-3152	1	Spring-Rattle, Anti
7	302-5	4	Fitting-Grease	28	112-3151	1	Caliper-RH
8	325-20	2	Screw-HH	28:1	107-0708	1	Friction Pad And Pin Kit
9	112-3166	1	Spindle-LH	28:2	112-3152	1	Spring-Rattle, Anti
10	3272-7	4	Pin-Cotter	29	323-6	4	Screw-HH
11	10-6830	10	Stud-Type, Drive	30	3253-21	4	Washer-Lock
12	242-50	10	Nut-Lug	31	112771-03	2	LH Ball Joint ASM
13	241-119	2	Cap-Dust	31:2		1	Joint-Ball, LH ●
14	3220-7	2	Nut-Jam	31:2:1	915031	1	Nut
15	93-0309	2	Washer-Tab	32	3218-21	2	Nut-Jam
16	93-0307	2	Nut-Lock, Retainer	33	3220-11	2	Nut-Jam
17	3272-12	2	Pin-Cotter	34	112772-03	2	RH Ball Joint ASM
18	254-94	2	Bearing-Cone, Tapered	34:2		1	Joint-Ball, RH ●
19	254-72	2	Bearing-Cup, Tapered	34:2:1	915031	1	Nut
20	254-106	2	Cone-Bearing, Tapered				

● Not serviced separately

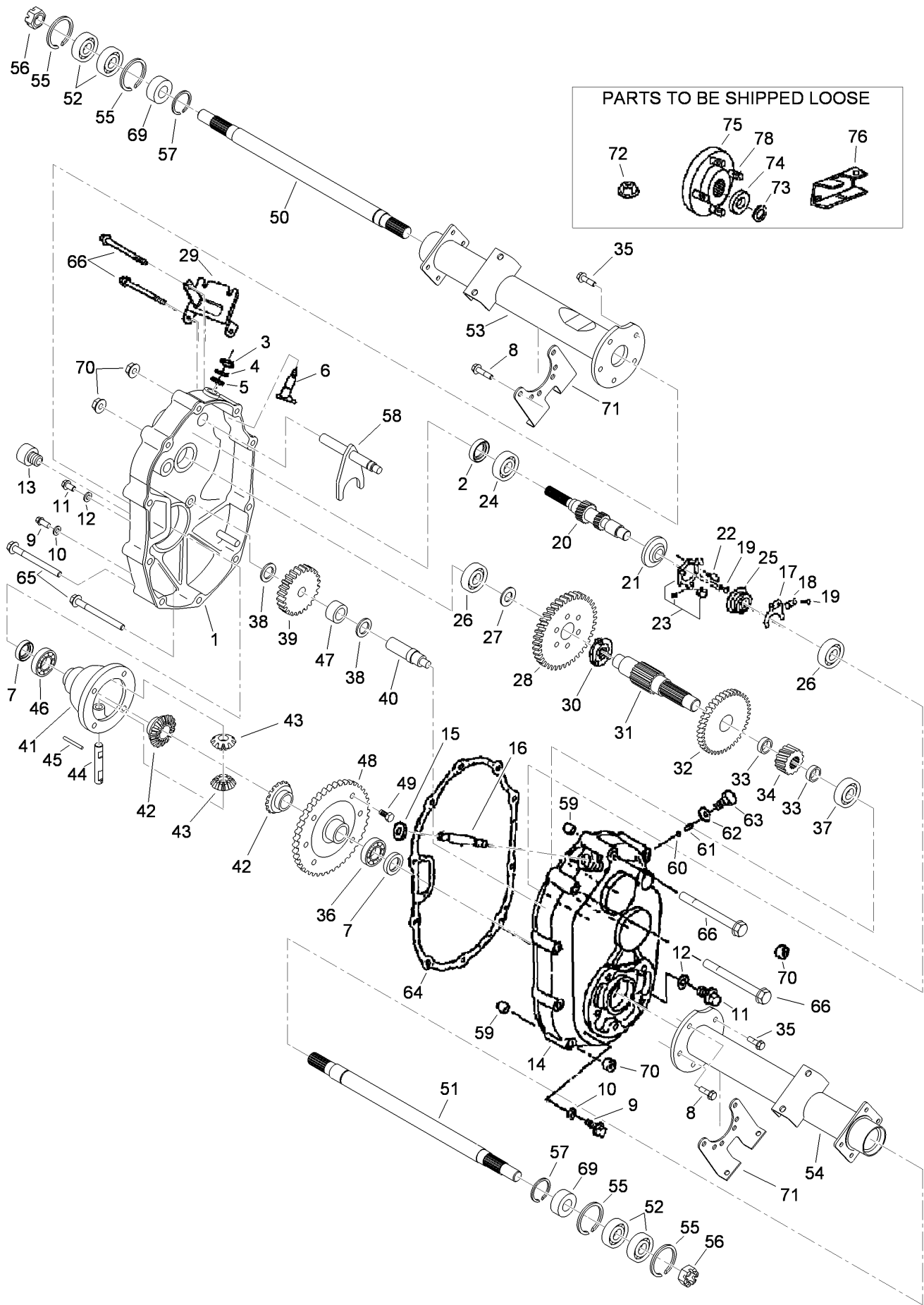


## Rear Tire and Transaxle Assembly

Ref.	Part Number	Qty.	Description	Ref.	Part Number	Qty.	Description
1	104-6474	1	Cable-Governor	18:1	104-7288	1	Wheel
2	99-7121	2	Bracket-Tamper	18:2	104-7289	1	Tire
3	99-7054	1	Bracket-Cables	18:3	232-27	1	Stem-Valve
4	115-7613	1	Cable-Accelerator	19	242-50	10	Nut-Lug
5	33024-00	3	Nut-Lock	20	112-3309	2	Cable-Brake
6	104-6569	1	Bracket-Governor	21	3272-10	2	Pin-Cotter
7	99-7104	1	Clutch-Driven	22	104-8301	4	Nut-Flange, NI
8	104-6563	1	Washer-Stepped	24	3234-11	4	Screw-HHF
9	104-6564	1	Screw-HH	25	3256-49	2	Washer-Flat
10	115-2300	1	Transaxle	26	3296-2	2	Nut-Lock, NI
11	104-8300	8	Nut-Flange, NI	27	3241-6	2	Screw-SQH
12	3272-12	2	Pin-Cotter	28	99-7122	1	Rivet-Annodized
13	283-62	2	Pin-Clevis	29	3290-378	2	Tie-Cable
14	114-8332	1	LH Brake ASM	35	104-1656	2	Nut-Castle
15	114-8331	1	RH Brake ASM	36	100-4852	4	Washer-Hardened
16	3274-55	8	Screw-HSBH	37	323-14	4	Screw-HH
17	104-6500	2	Drum-Brake	38	87-8640	1	Washer-Flat
18		2	Tire And Wheel ASM ●				

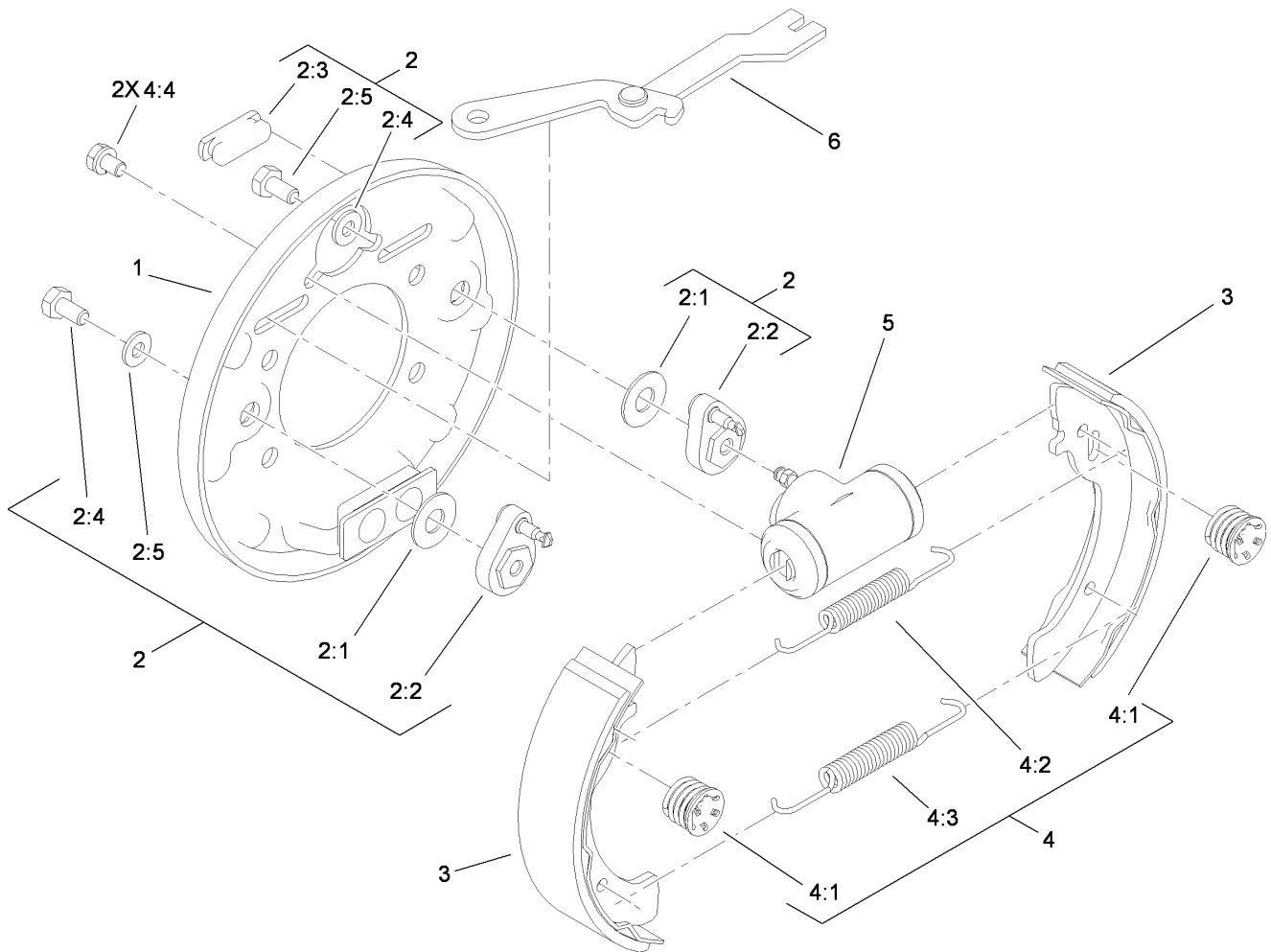
● Not serviced separately

# Transaxle Assembly No. 115-2300



## Transaxle Assembly No. 115-2300 (continued)

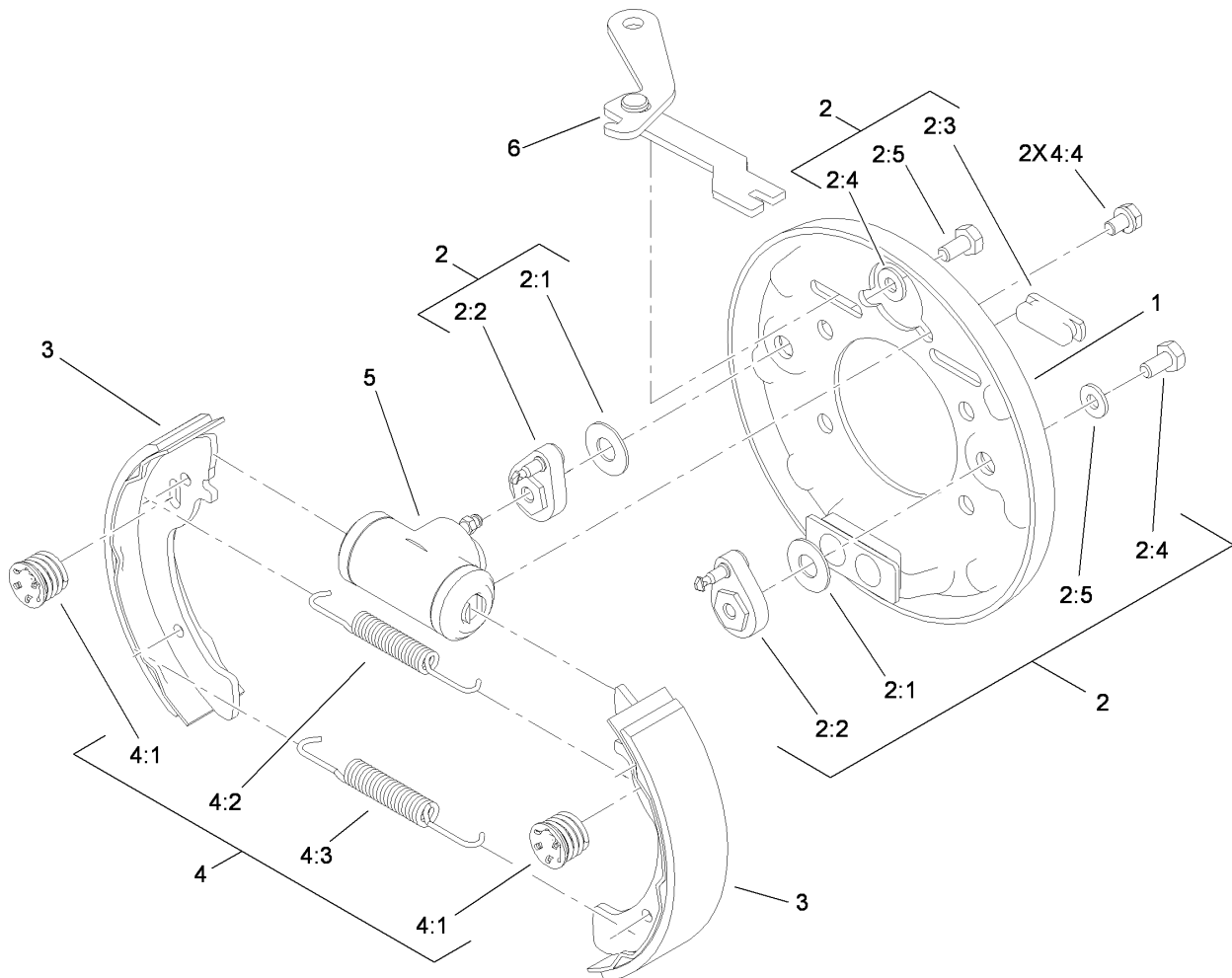
<i>Ref.</i>	<i>Part Number</i>	<i>Qty.</i>	<i>Description</i>	<i>Ref.</i>	<i>Part Number</i>	<i>Qty.</i>	<i>Description</i>
1	104-1601	1	Case-LH, Complete	39	104-1639	1	Gear
2	104-1602	1	Seal-Oil	40	104-1640	1	Shaft-Counter
3	104-1603	1	Seal-Oil	41	104-1641	1	Case-Differential
4	104-1604	1	Ring-Snap	42	104-1642	2	Gear-Side, Differential
5	104-1605	1	Spacer	43	104-1643	2	Pinion-Differential
6	104-1606	1	Shaft-Selector	44	104-1644	1	Shaft-Differential
7	104-1607	2	Seal-Oil	45	104-1645	1	Pin
8	104-1608	4	Bolt-Flange	46	104-1646	1	Bearing-Ball
9	104-1609	2	Plug-Check, Oil	47	104-1647	1	Bearing-Needle
10	104-1610	2	Gasket	48	104-1648	1	Gear
11	104-1611	2	Plug-Drain, Oil	49	104-1649	6	Bolt
12	104-1612	2	Gasket	50	104-1650	1	Shaft-Axle, LH
13	104-1613	1	Plug-Filler, Oil	51	104-1651	1	Shaft-Axle, RH
14	104-1614	1	Case-Complete, RH	52	104-1652	4	Bearing-Ball
15	104-1615	1	Seal-Oil	53	104-1653	1	Case-Axle, LH
16	104-1616	1	Shaft-Governor	54	104-1654	1	Case-Axle, RH
17	104-1617	1	Fork-Governor	55	104-1655	4	Ring-Snap
18	104-1618	1	Stopper	56	104-1656	2	Nut-Castle
19	104-1619	4	Screw And Washer ASM	57	104-1657	2	Ring-Snap
20	104-7002	1	Shaft-Input, Complete	58	104-6870	1	Shaft-Shift, Complete
21	104-1621	1	Base-Governor	59	104-1659	2	Knock-Pipe
22	104-1622	1	Pin-Lock	60	104-1660	1	Ball-Steel
23	104-1623	1	Unit-Plate, Governor	61	104-1661	1	Spring
24	104-1624	1	Bearing-Ball	62	104-1662	1	Gasket
25	104-1625	1	Sleeve-Governor	63	104-1663	1	Bolt
26	104-1626	2	Bearing-Ball	64	104-1664	1	Gasket
27	104-1627	1	Spacer	65	104-1665	6	Bolt-Flange
28	104-1628	1	Gear	66	104-1666	4	Bolt-Flange
29	115-7672	1	Bracket-Wire, Change	69	104-6867	2	Collar
30	104-1630	1	Clutch-Pin	70	33004-00	11	Nut-HF
31	104-1631	1	Shaft-Center	71	104-1671	2	Bracket-Axle
32	104-1632	1	Gear	72	104-1672	1	Nut-Lock
33	104-1633	2	Collar	73	104-1673	2	Washer-Spring
34	104-1634	1	Gear	74	104-1674	2	Washer
35	104-1635	6	Bolt-Flange	75	104-1675	2	Hub
36	104-1636	1	Bearing-Ball	76	112-3287	1	Lever-Select
37	104-1637	1	Bearing-Ball	78	104-8649	10	Stud
38	104-1638	2	Spacer				



## LH Rear Brake Assembly No. 114-8332

Ref.	Part Number	Qty.	Description
1	100-8586	1	Backing Plate ASM
2	104-6820	1	Adjuster Kit
2:1	100-8585	2	Washer-Bellville
2:2	100-8588	2	Adjuster Lever ASM
2:3	100-8584	2	Cover-Dust
2:4		2	Washer ●
2:5		2	Bolt ●
3	104-6818	4	Shoe And Lining Kit
4	104-6819	1	Hardware Kit
4:1	100-8583	2	Shoe Hold Down Spring ASM
4:2	100-8581	2	Spring-Upper
4:3	100-8582	2	Spring-Lower
4:4		2	Bolt And Washer ●
5	114-8333	1	Wheel Cylinder ASM
6	104-6825	1	LH Park Brake Lever ASM

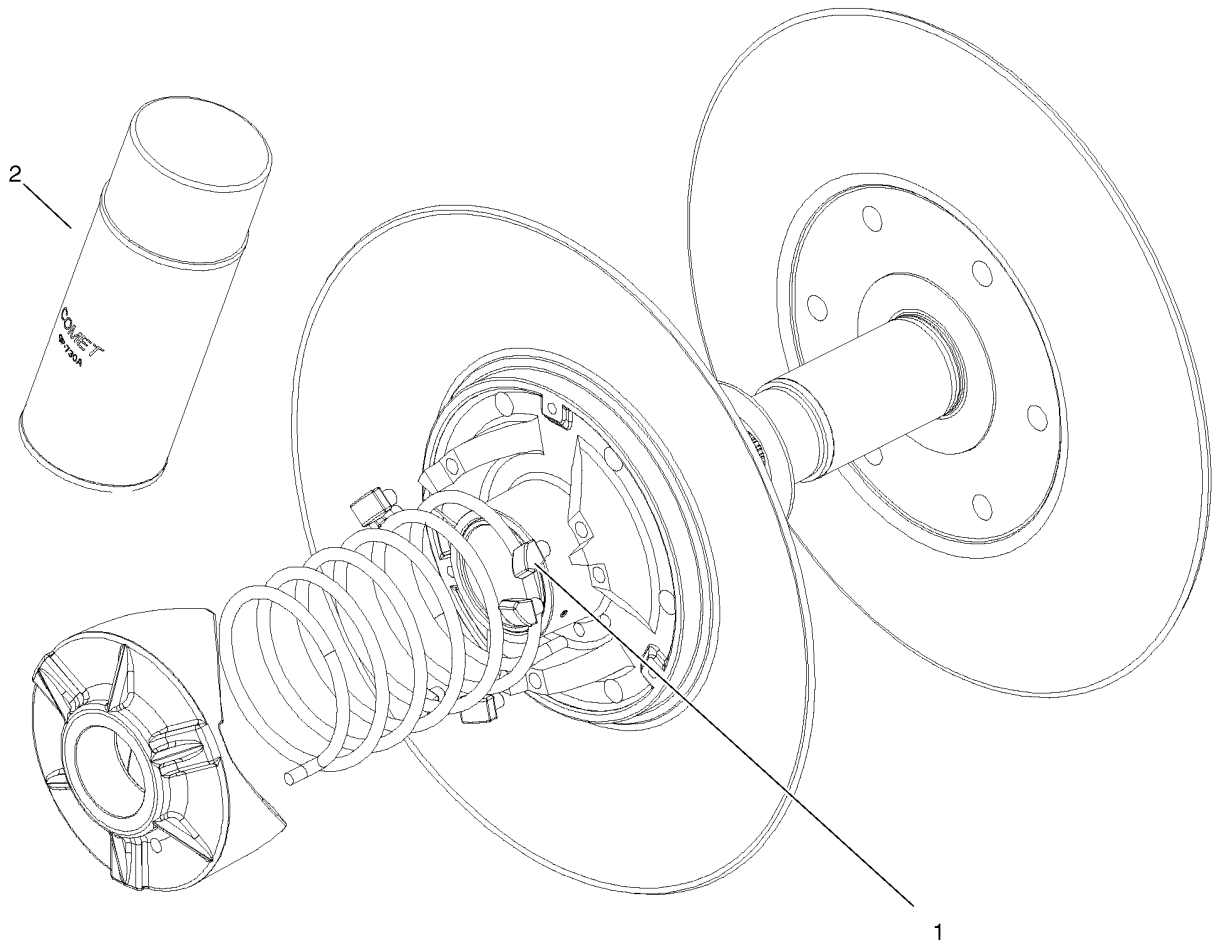
● Not serviced separately



## RH Rear Brake Assembly No. 114-8331

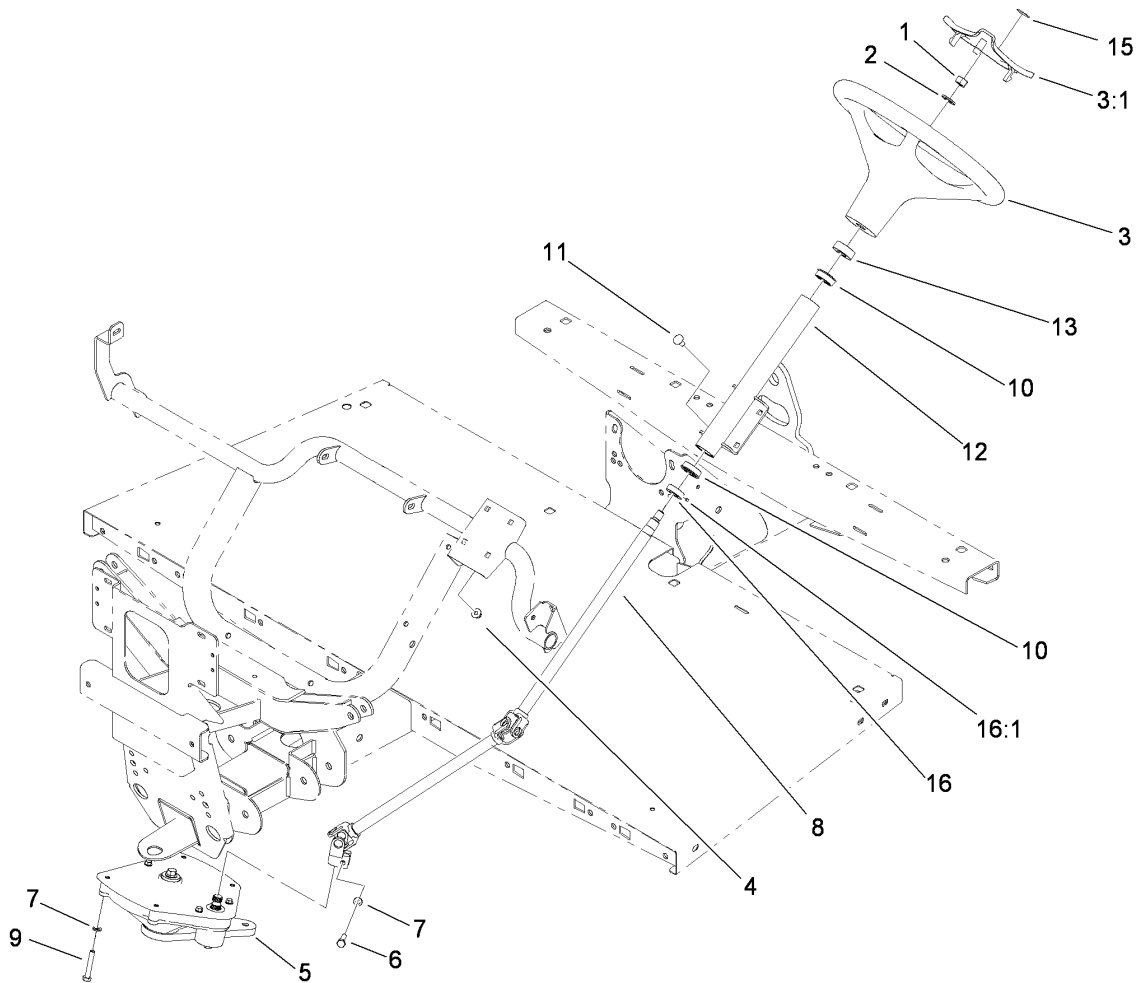
Ref.	Part Number	Qty.	Description
1	100-8586	1	Backing Plate ASM
2	104-6820	1	Adjuster Kit
2:1	100-8585	2	Washer-Bellville
2:2	100-8588	2	Adjuster Lever ASM
2:3	100-8584	2	Cover-Dust
2:4		2	Washer ●
2:5		2	Bolt ●
3	104-6818	4	Shoe And Lining Kit
4	104-6819	1	Hardware Kit
4:1	100-8583	2	Shoe Hold Down Spring ASM
4:2	100-8581	2	Spring-Upper
4:3	100-8582	2	Spring-Lower
4:4		2	Bolt And Washer ●
5	114-8333	1	Wheel Cylinder ASM
6	104-6826	1	RH Park Brake Lever ASM

● Not serviced separately



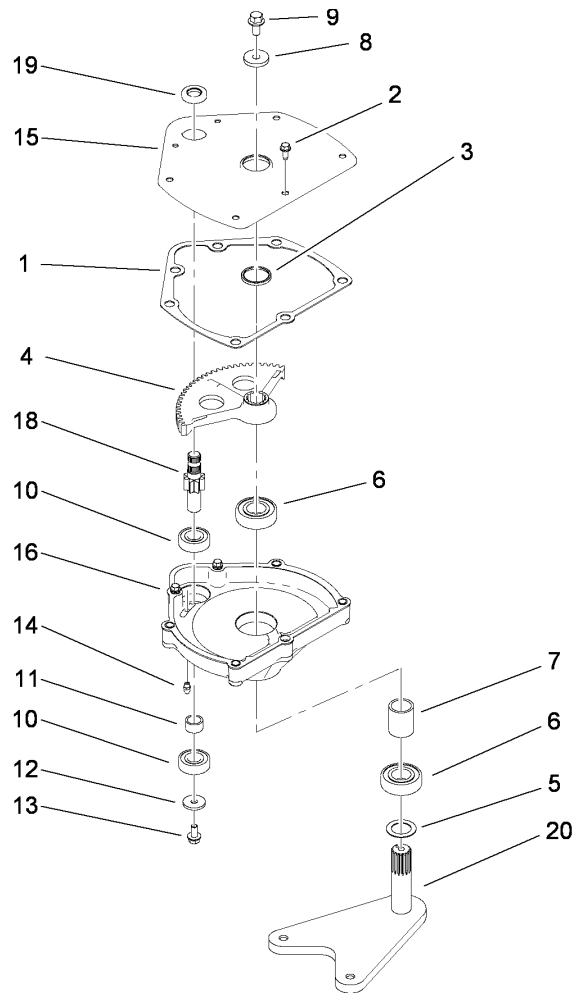
## Driven Clutch Assembly No. 99-7104

<i>Ref.</i>	<i>Part Number</i>	<i>Qty.</i>	<i>Description</i>
1	104-4257	1	Button Kit
2	104-7011	1	Lubricant-Dry



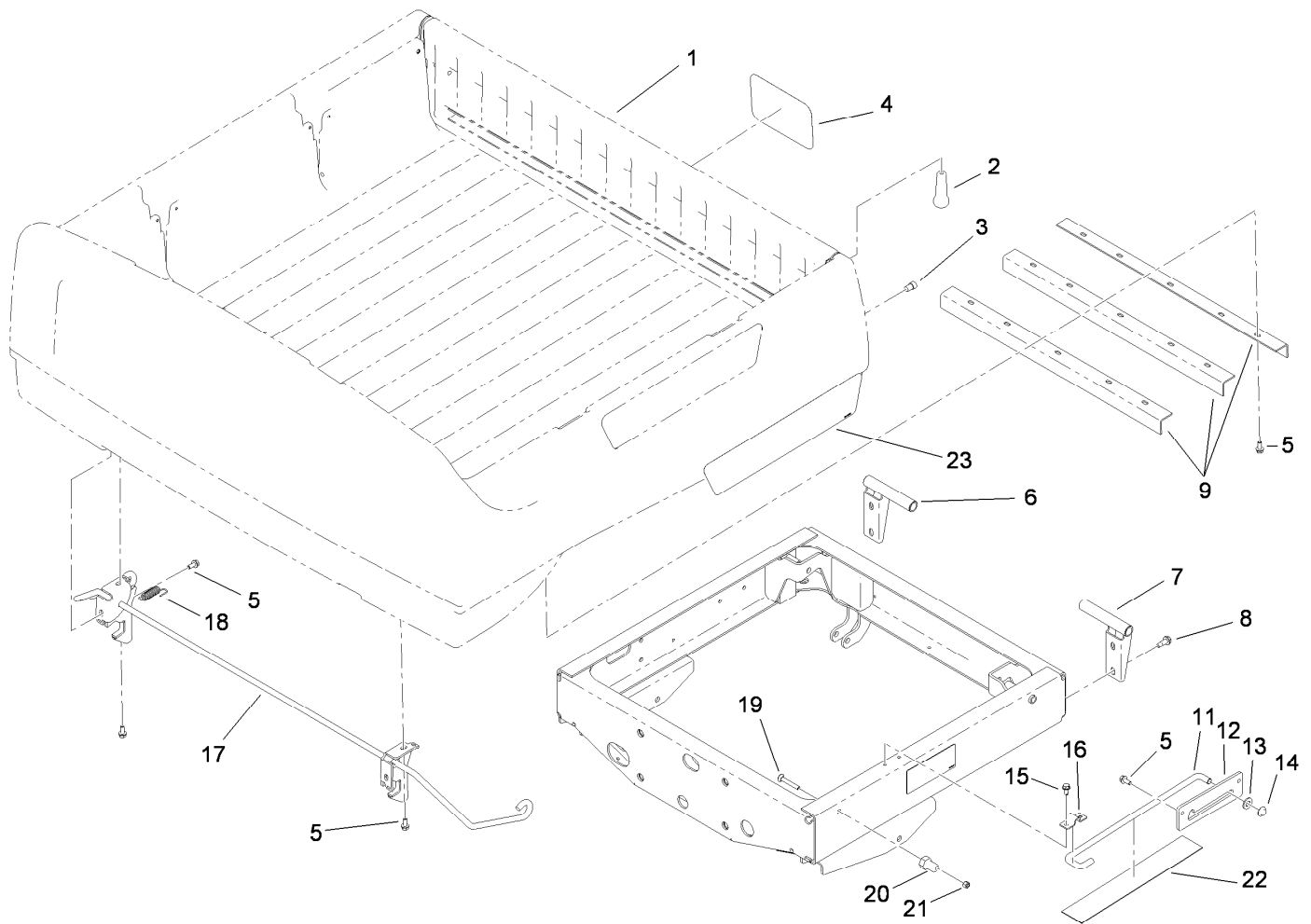
## Upper Steering Assembly

<i>Ref.</i>	<i>Part Number</i>	<i>Qty.</i>	<i>Description</i>
1	110-8815	1	Nut-Hex
2	3256-26	1	Washer-Flat
3	98-1471	1	Wheel-Steering
3:1	98-1468	1	Cover-Wheel, Steering
4	104-8300	4	Nut-Flange, NI
5	112-3130	1	Steering Box ASM
6	48-7730	1	Screw-Cap, HH
7	3253-4	5	Washer-Lock
8	112-3355	1	Steering Shaft ASM
9	112-3305	4	Screw-HH
10	112-3262	2	Bearing
11	3230-1	4	Bolt-CARR
12	112-3264-03	1	Column ASM
13	21-9260	1	Cover-Dust
15	98-1459	1	Decal
16	111383	1	Collar
16:1	3245-32	1	Screw-HSH



## Steering Box Assembly No. 112-3130

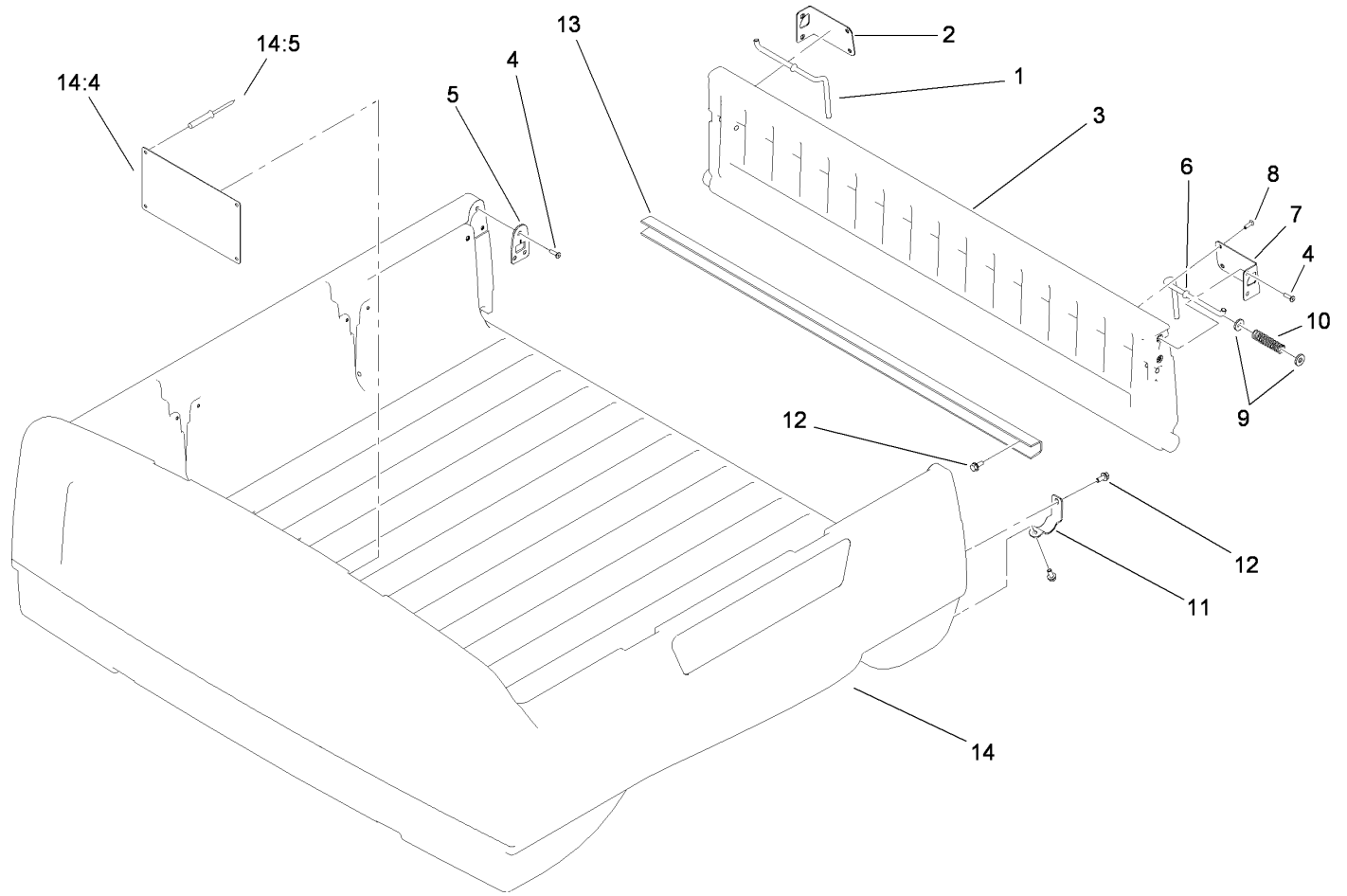
<i>Ref.</i>	<i>Part Number</i>	<i>Qty.</i>	<i>Description</i>
1	94-2135	1	Gasket
2	32144-10	3	Screw-HWH
3	103118	1	Seal
4	99-7843	1	Sector-Gear
5	3256-42	1	Washer-Flat
6	251-82	2	Bearing-Ball
7	112-2917	1	Spacer
8	104-6563	1	Washer-Stepped
9	104-7156	1	Screw-HHF
10	38-7820	2	Bearing-Ball
11	94-2217	1	Spacer-Shaft, Input
12	1-613235	1	Washer
13	98-3498	1	Screw-HH
14	302-5	1	Fitting-Grease
15	112-2918-03	1	Cover-Housing, Steering
16	114-8309	1	Housing-Steering
18	115-7726	1	Gear-Pinion
19	99-7657	1	Seal-Oil
20	112-3096-03	1	Pitman Arm ASM



## Box and Tailgate Installation Assembly

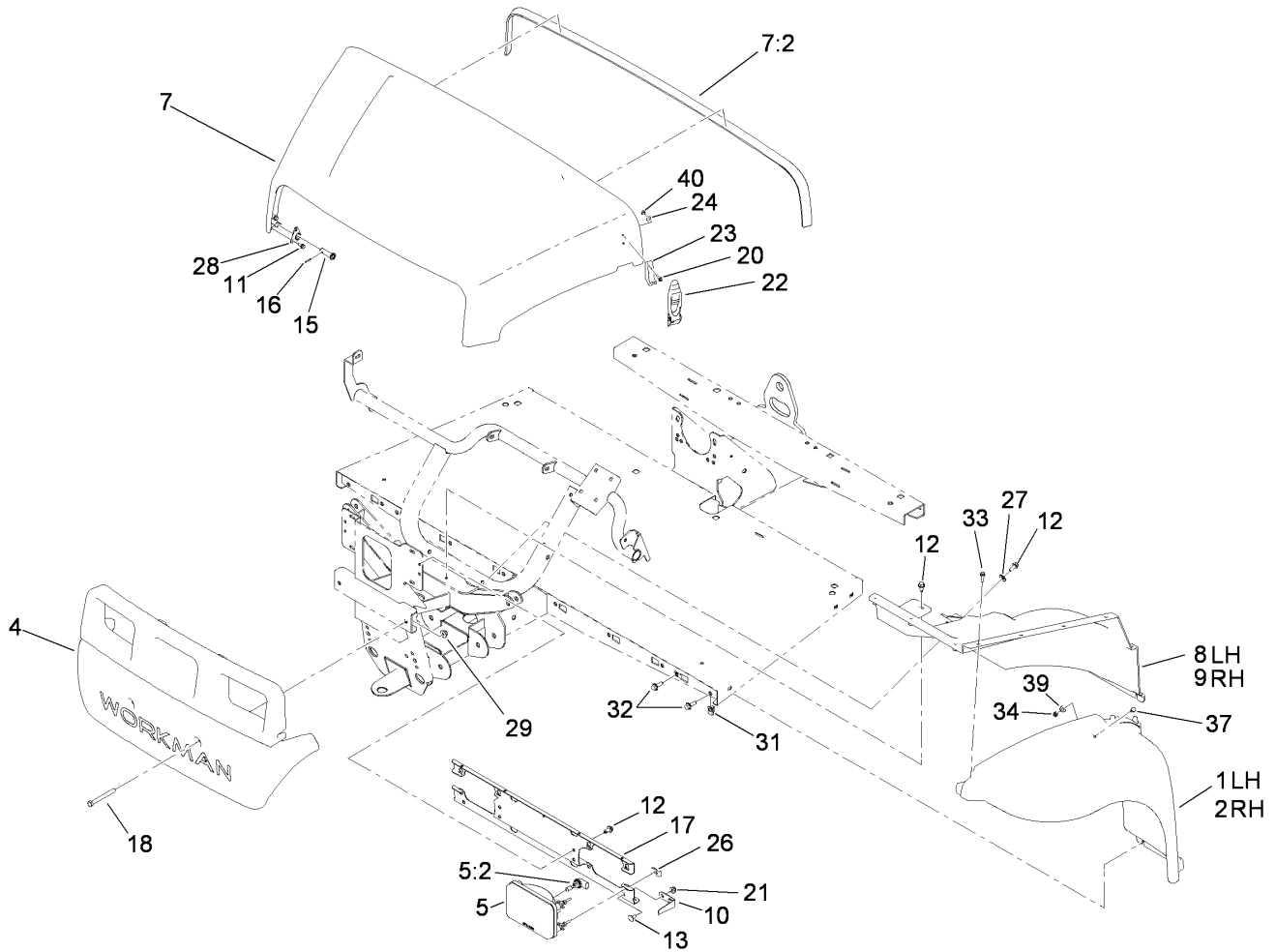
<i>Ref.</i>	<i>Part Number</i>	<i>Qty.</i>	<i>Description</i>	<i>Ref.</i>	<i>Part Number</i>	<i>Qty.</i>	<i>Description</i>
1		1	Box And Tailgate ASM ●	13	3256-26	1	Washer-Flat
2	99-7984	2	Knob-Soft Grip, Push-On	14	32112-14	1	Nut-Push
3	115-7986	2	Bumper-Rubber	15	32104-32	2	Screw-HWH
4	104-7213	1	Decal	16	99-7896	1	Bracket-U, Prop Rod
5	3234-5	21	Screw-HHF	17	115-2385	1	Rod-Latch
6	99-7309-03	1	RH Pivot Bracket ASM	18	5-7290	2	Spring-Tension
7	99-7308-03	1	LH Pivot Bracket ASM	19	3230-7	2	Bolt-CARR
8	3234-11	4	Screw-HHF	20	104-7248	2	Pin-Latch
9	99-7864-03	3	Brace-Box	21	3296-29	2	Nut-Lock, NI
11	99-7895	1	Rod-Prop	22	104-6859	1	Shield-Heat
12	99-7894	1	Bracket-Rod, Prop	23	115-2413	2	Decal

● Not serviced separately



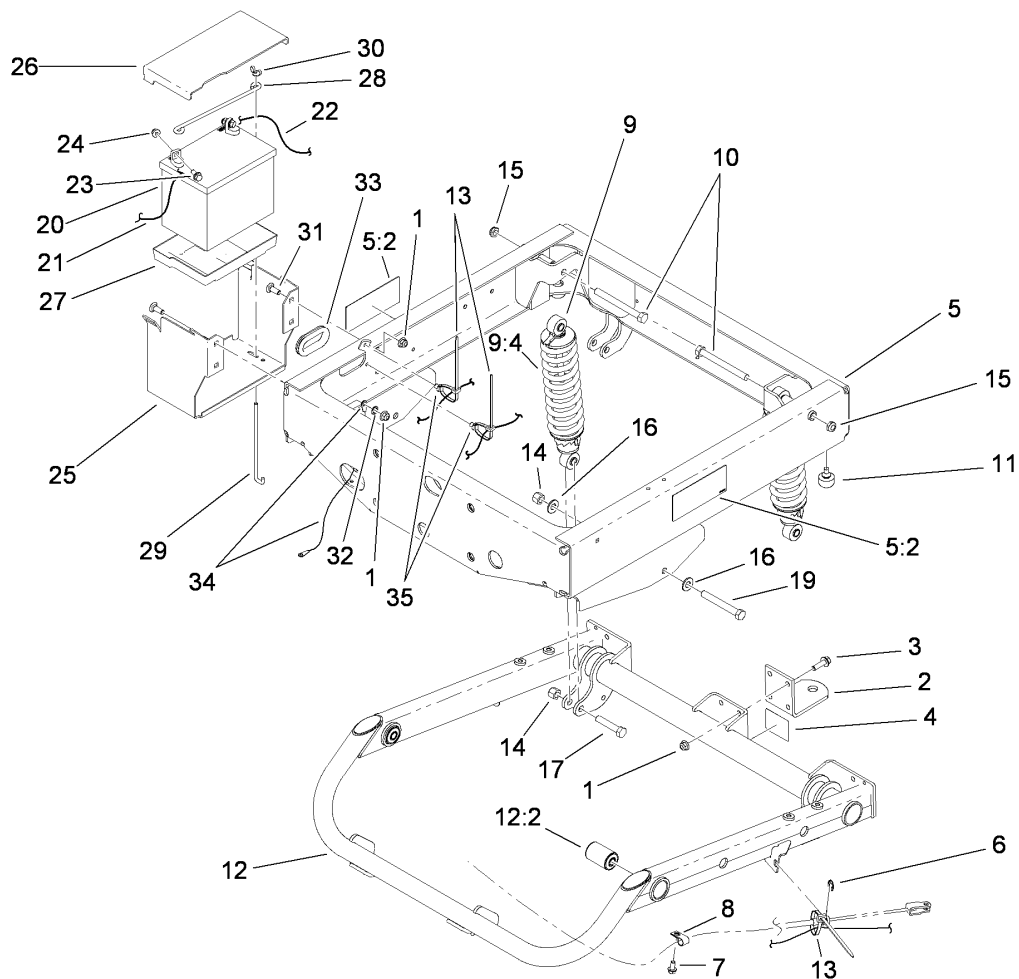
## Box and Tailgate Assembly

<i>Ref.</i>	<i>Part Number</i>	<i>Qty.</i>	<i>Description</i>
1	99-7860	1	Rod-Latch, Right
2	99-7858	1	Bracket-Tailgate Latch, Right
3	115-7640	1	Tailgate ASM
4	99-7334	10	Screw
5	114-2749	2	Plate-Striker
6	99-7859	1	Rod-Latch, Left
7	99-7857	1	Bracket-Tailgate Latch, Left
8	99-7335	4	Screw
9	99-7861	4	Washer-Latch
10	61-8880	2	Spring
11	99-7286	2	Bracket-Pivot, Tailgate
12	3234-5	10	Screw-HHF
13	99-7867	1	Channel-Tailgate
14	115-7638	1	Box ASM
14:4	99-7954	1	Decal-No Riders
14:5	3290-415	4	Rivet



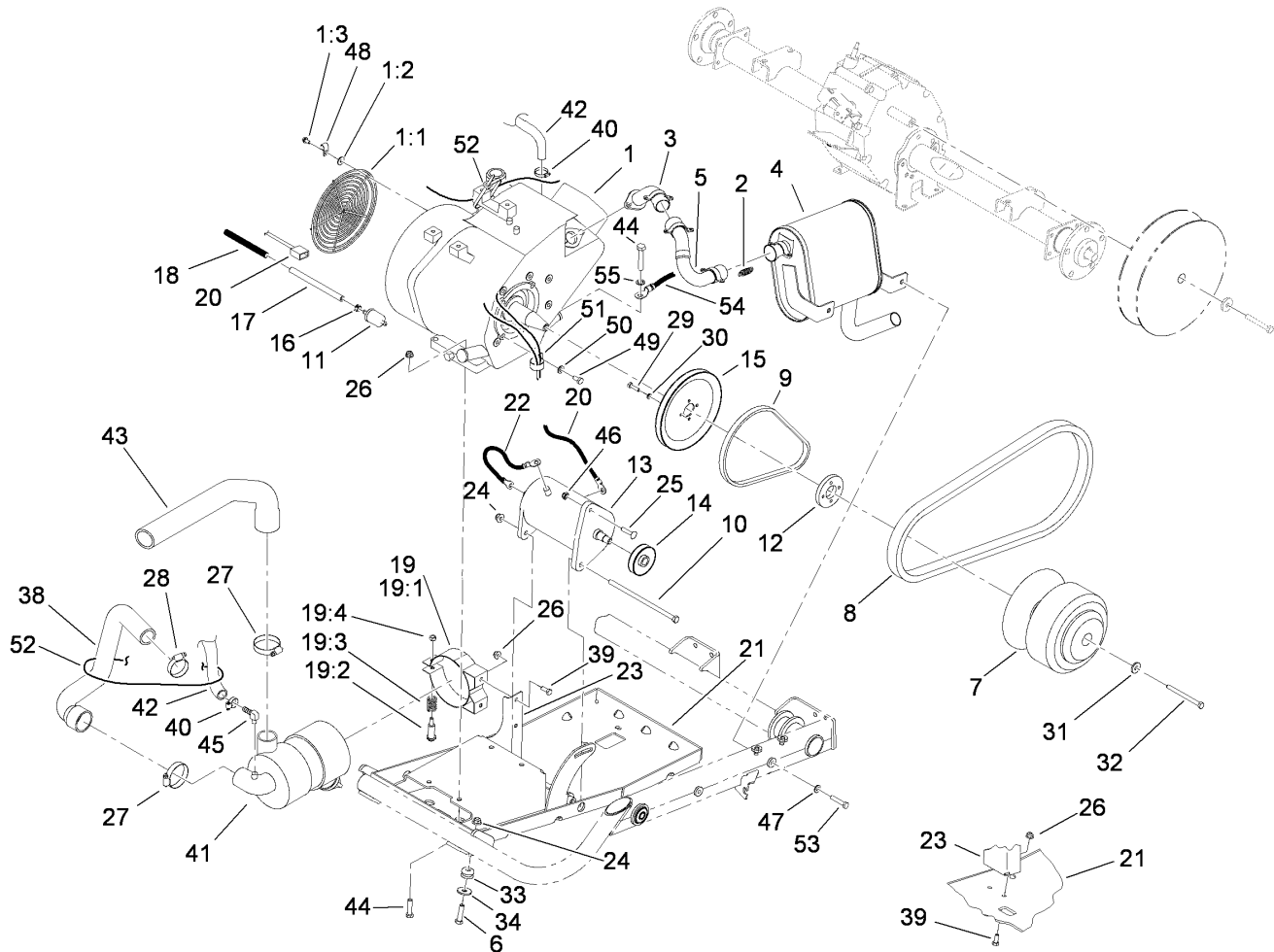
## Hood and Fender Assembly

Ref.	Part Number	Qty.	Description	Ref.	Part Number	Qty.	Description
1	112-3371	1	Fender-LH	20	32105-13	4	Screw-HWH
2	112-3370	1	Fender-RH	21	104-8300	2	Nut-Flange, NI
4	112-3365	1	Bumper	22	115-2416	2	Latch-Rubber
5	114-8322	2	Headlight	23	103-2897	2	Latch-Catch
5:2	115-2395	1	Light Bulb ASM	24	3256-14	4	Washer-Flat
7	115-7636	1	Hood ASM	26	115-2408	6	Clip-Speed
7:2	115-7635	1	Seal-Foam	27	3256-71	2	Washer-Flat
8	112-3369	1	Well-Fender, LH	28	112-3308	2	Retainer-Pin
9	112-3368	1	Well-Fender, RH	29	104-8301	2	Nut-Flange, NI
10	112-3373	2	Keeper-Pivot, Hood	31	112-3306	10	Nut
11	46-8093	6	Screw-Plastite	32	3234-29	10	Screw-HHF
12	32104-32	8	Screw-HWH	33	46-8091	20	Screw-HWH
13	3230-18	2	Screw-CARR	34	3296-42	2	Nut-Lock, NI
15	112-2916	2	Pin-Pivot, Hood	37	321-39	2	Screw-HH
16	32121-50	2	Pin-Spring	39	3256-22	2	Washer-Flat
17	112-2915-03	1	Bracket-Light, Head	40	3296-2	4	Nut-Lock, NI
18	115-7660	2	Screw-HHF				



## Frame Assembly

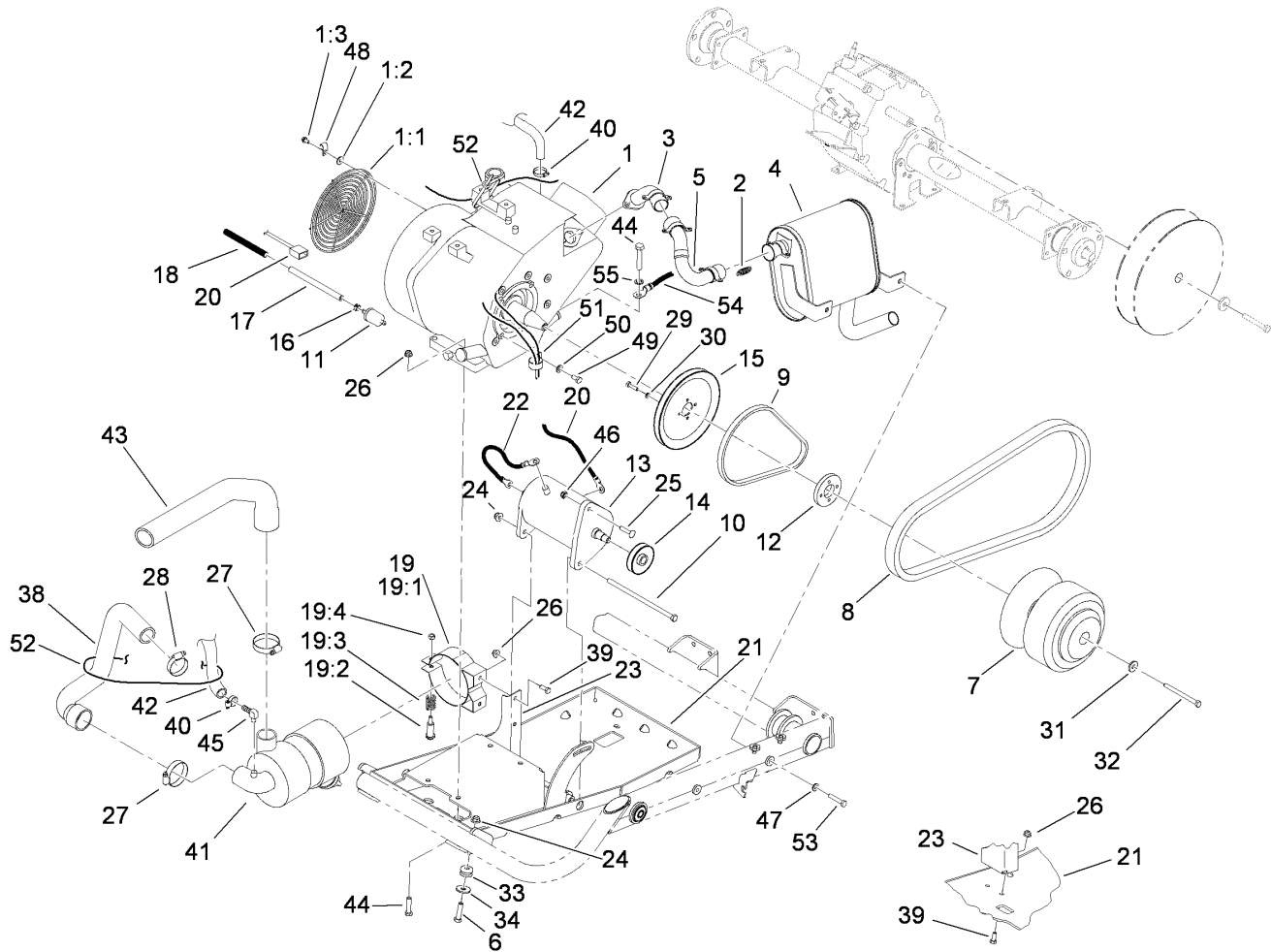
Ref.	Part Number	Qty.	Description	Ref.	Part Number	Qty.	Description
1	104-8301	8	Nut-Flange, NI	16	87-7270	4	Washer-Thrust
2	99-7654-03	1	Hitch-Duty, Light	17	325-10	2	Screw-HH
3	3234-24	4	Screw-HHF	19	325-17	2	Screw-HH
4	99-7350	1	Decal-Rating, Hitch (Light Duty)	20	104-8162	1	Battery
5	114-8307	1	Rear Frame Service ASM	21	115-8107	1	Cable-Battery, Negative
5:2	99-7345	2	Decal-Warning	22	114-9404	1	Cable-Battery, Positive
6	32120-47	2	Ring-Retaining, External	23	3234-5	2	Screw-HHF
7	32144-4	2	Screw-HWH	24	104-8300	2	Nut-Flange, NI
8	2412-89	2	Clamp-R	25	115-2302-03	1	Base-Battery
9	112-3168	2	Rear Shock/Spring ASM	26	115-2394	1	Cover-Battery
9:4	112-3386	1	Spring	27	106948	1	Tray-Battery
10	325-19	2	Screw-HH	28	100-6434	1	Rod-Hold Down, Battery
11	87-2440	2	Bumper-Rubber	29	100-6435	2	Post-Battery
12	115-7614	1	Swing Arm ASM	30	32103-22	2	Nut-Wing
12:2	112-3377	2	Bushing-Arm, Control	31	3231-22	4	Screw-CARR
13	3290-378	4	Tie-Cable	32	3254-6	1	Washer-Lock, Internal
14	3296-23	4	Nut-Lock, NI	33	240-12	1	Grommet
15	3296-45	2	Nut-Lock, NI	34	115-8108	1	Cable-Battery, Negative
				35	32180-030	2	Clip-Harness W/Cable Tie



## Engine and Clutch Assembly

Ref.	Part Number	Qty.	Description	Ref.	Part Number	Qty.	Description
1	104-6565	1	Engine-Kohler, Cs12 Pa-941621	19:3	94-3654	1	Spring
1:1	104-6538	1	Guard-Flywheel	19:4	48-9510	1	Nut
1:2	104-6547	4	Washer-Flat	20	115-8125	1	Harness-Wire, Engine
1:3	104-6548	4	Screw-Flange	21	112-3230-03	1	Engine Tray ASM
2	104-6478	4	Spring-Coupler, Exhaust	22	99-7403	1	Cable-Negative
3	104-6511	1	Manifold	23	112-3246-03	1	Bracket-Cleaner, Air
4	114-8335	1	Muffler	24	104-8301	7	Nut-Flange, NI
5	112-3129	1	Pipe-Exhaust	25	112-6950	1	Screw-CARR
6	323-8	2	Screw-HH	26	104-8300	4	Nut-Flange, NI
7	108-7014	1	Clutch-Drive	27	2412-130	2	Clamp-Hose
8	99-7143	1	Belt-Drive	28	2412-3	1	Clamp-Hose
9	112-3131	1	Belt-Starter	29	321-6	4	Screw-HH
10	323-30	1	Screw-HH	30	3253-3	4	Washer-Lock
11	94-2690	1	Filter-Fuel	31	5-0838	1	Washer
12	99-7064	1	Spacer-Starter	32	99-7200	1	Screw-HH
13	99-7108	1	Starter Generator ASM	33	63-9750	2	Mount
14	99-7130	1	Pulley-Starter	34	2844	2	Washer
15	99-7131	1	Pulley-Engine	38	112-3247	1	Hose-Intake
16	2412-98	3	Clamp-Hose	39	322-3	4	Screw-HH
17	107-0588	1	Hose-Fuel	40	2412-36	2	Clamp-Hose
18	99-7377	1	Conduit-Line, Fuel	41	99-7120	1	Air Cleaner ASM
19	93-2191	1	Band-Mounting, Air Cleaner	42	115-7642	1	Hose-Breather
19:1		1	Clamp ASM ●	43	115-7625	1	Hose-Intake
19:2	94-3653	1	Bolt	44	323-9	4	Screw-HH
				45	99-7230	1	Fitting-90 DEG

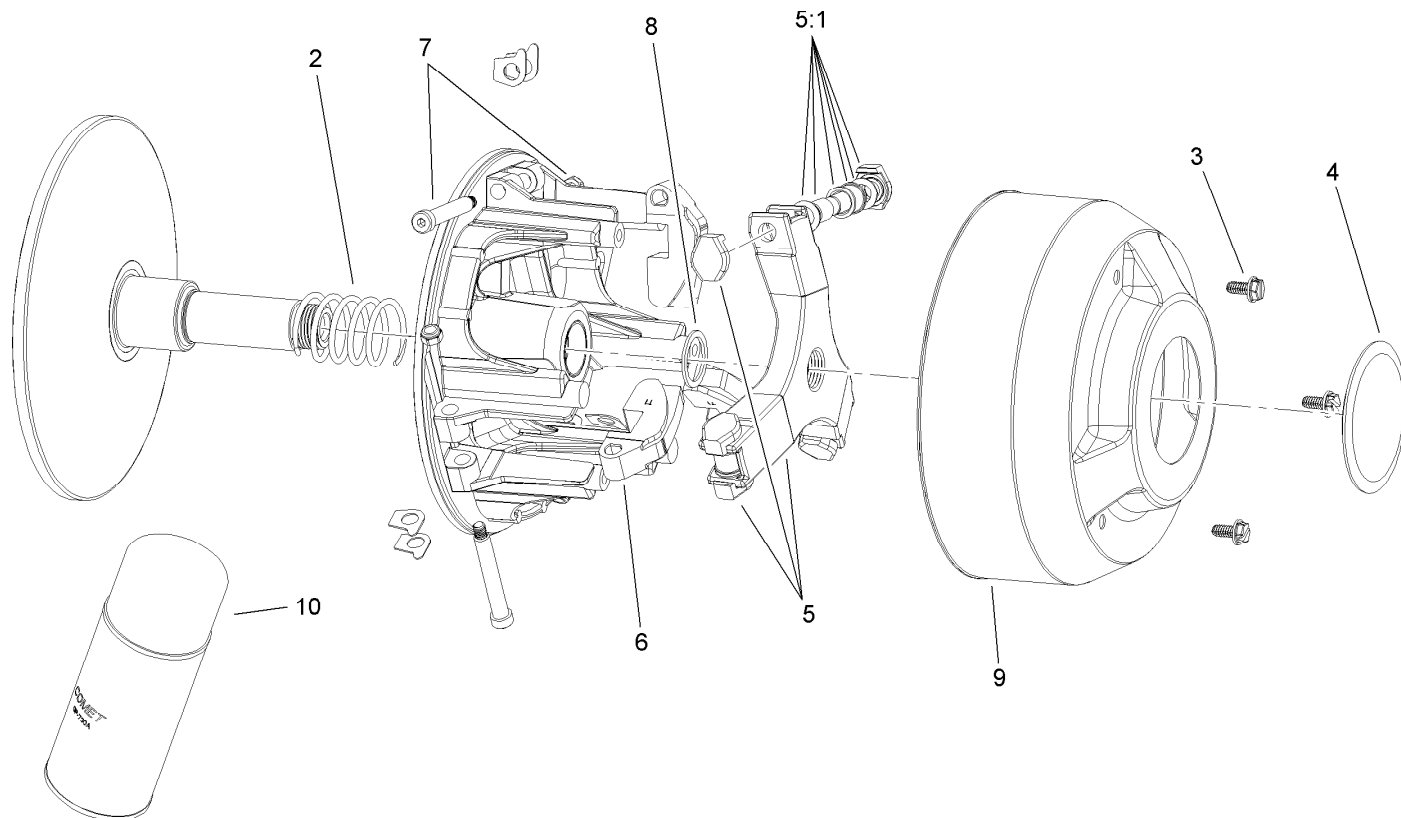
● Not serviced separately



## Engine and Clutch Assembly (continued)

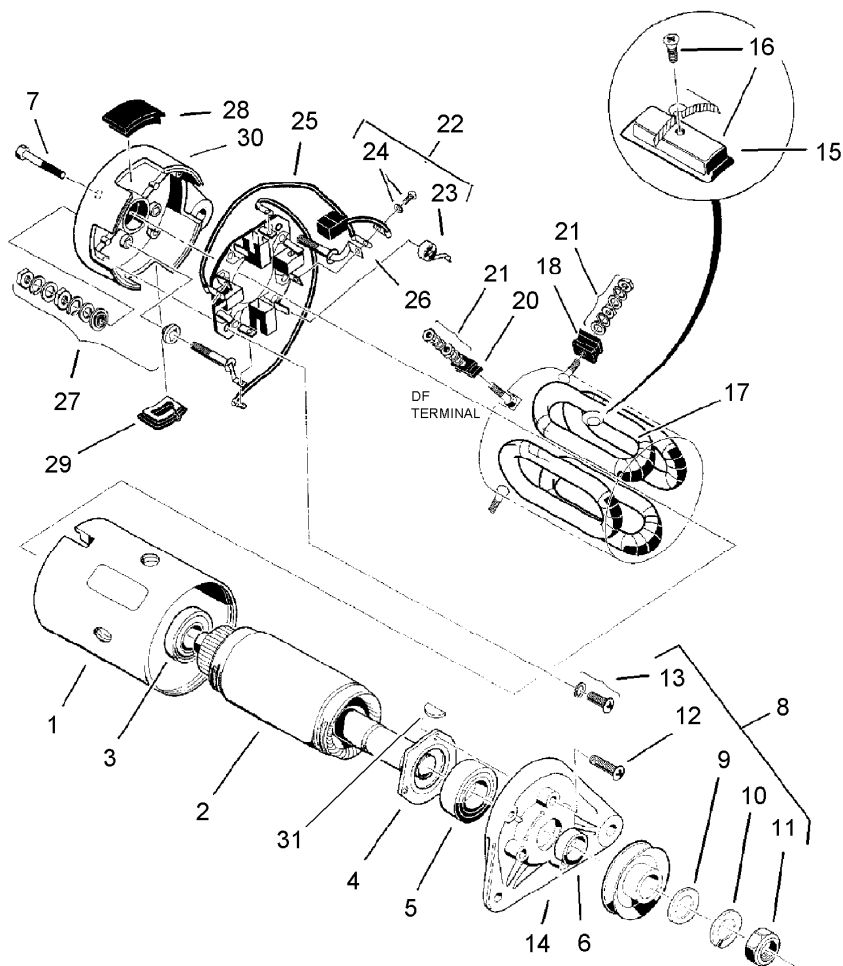
<i>Ref.</i>	<i>Part Number</i>	<i>Qty.</i>	<i>Description</i>	<i>Ref.</i>	<i>Part Number</i>	<i>Qty.</i>	<i>Description</i>
46	3296-69	1	Nut-Lock NI	51	2412-104	1	Clamp-R
47	3253-4	2	Washer-Lock	52	3290-378	2	Tie-Cable
48	2412-89	1	Clamp-R	53	322-11	2	Screw-HH
49	3210-2	1	Screw-HH	54	100335	1	Wire-Ground
50	3256-23	1	Washer-Flat	55	3254-6	1	Washer-Lock, Internal

● Not serviced separately



## Drive Clutch Assembly No. 108-7014

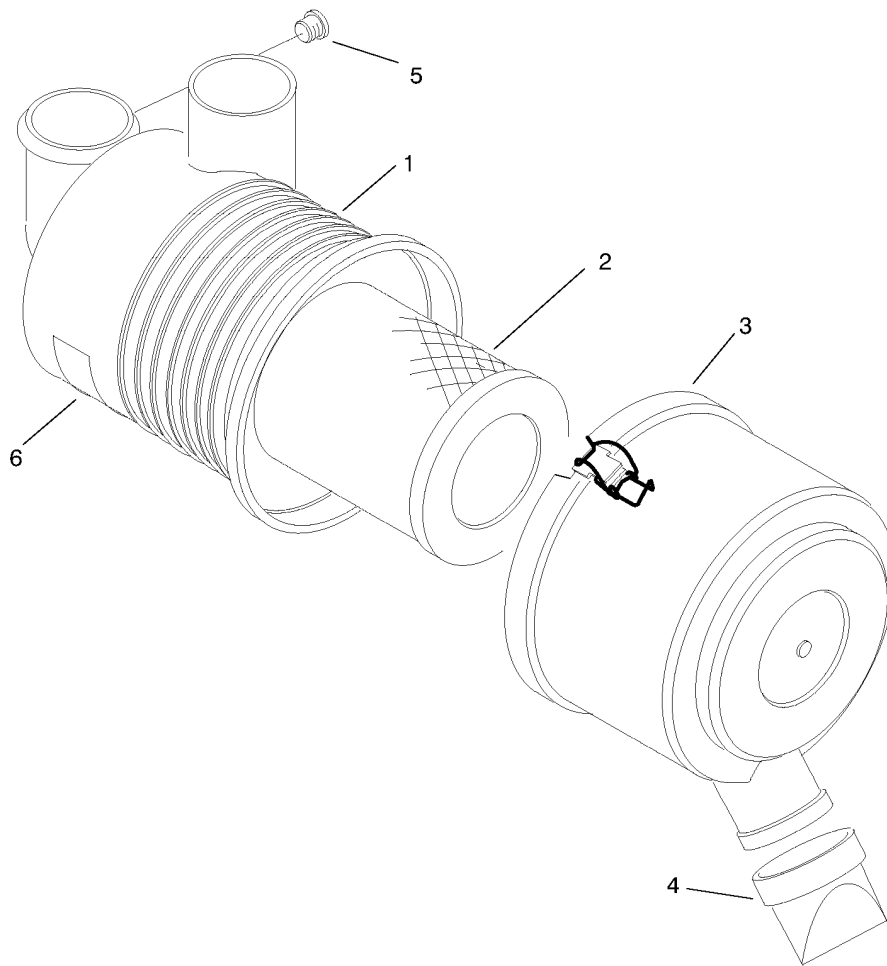
<i>Ref.</i>	<i>Part Number</i>	<i>Qty.</i>	<i>Description</i>
2	104-1686	1	Spring
3	3234-26	3	Screw-HHF
4	104-1690	1	Cap
5	108-3047	1	Spider ASM
5:1	110-2642	1	Spider Replacement Parts Kit
6	108-7021	1	Arm-Cam (Set Of 3)
7	104-4256	1	Pivot Bolt And Nut Kit
8	104-1687	1	Spacer
9	104-7045	1	Cover-Clutch
10	104-7011	1	Lubricant-Dry



## Starter Generator Assembly No. 99-7108

Ref.	Part Number	Qty.	Description	Ref.	Part Number	Qty.	Description
1		1	Yoke ●	16	104-1221	1	Set-Pole And Screw
2	104-1210	1	Armature Kit	17	104-1222	1	Field Stator Coil ASM
3	104-1211	1	Bearing-Ball, Rear	18		2	F Mold ●
4	104-1212	1	Retainer	20		1	Df Mold ●
5	104-1213	1	Bearing-Ball, Front	21	104-1224	1	Nut And Washer Set
6	104-1214	1	Spacer	22	104-1225	1	Brush Holder Kit
7	104-1215	2	Bolt	23	104-1226	4	Spring-Brush
8		1	Nut And Screw Set ●	24	104-1227	1	Brush And Screw Set
9	104-1216	1	Washer-Plain	25		2	Brush Connector ASM ●
10	104-1217	1	Washer-Spring	26		2	A Terminal ASM ●
11	104-1218	1	Nut-Hex	27	104-1228	2	Screw And Mold ASM
12		3	Screw-Flange ●	28		1	Cover Set ●
13	104-1219	2	Set-Screw	29		1	Cover B ●
14	104-1220	1	Bracket-Front	30		1	Bracket-Rear ●
15		4	Pole ●	31	3257-3	1	Key-Woodruff

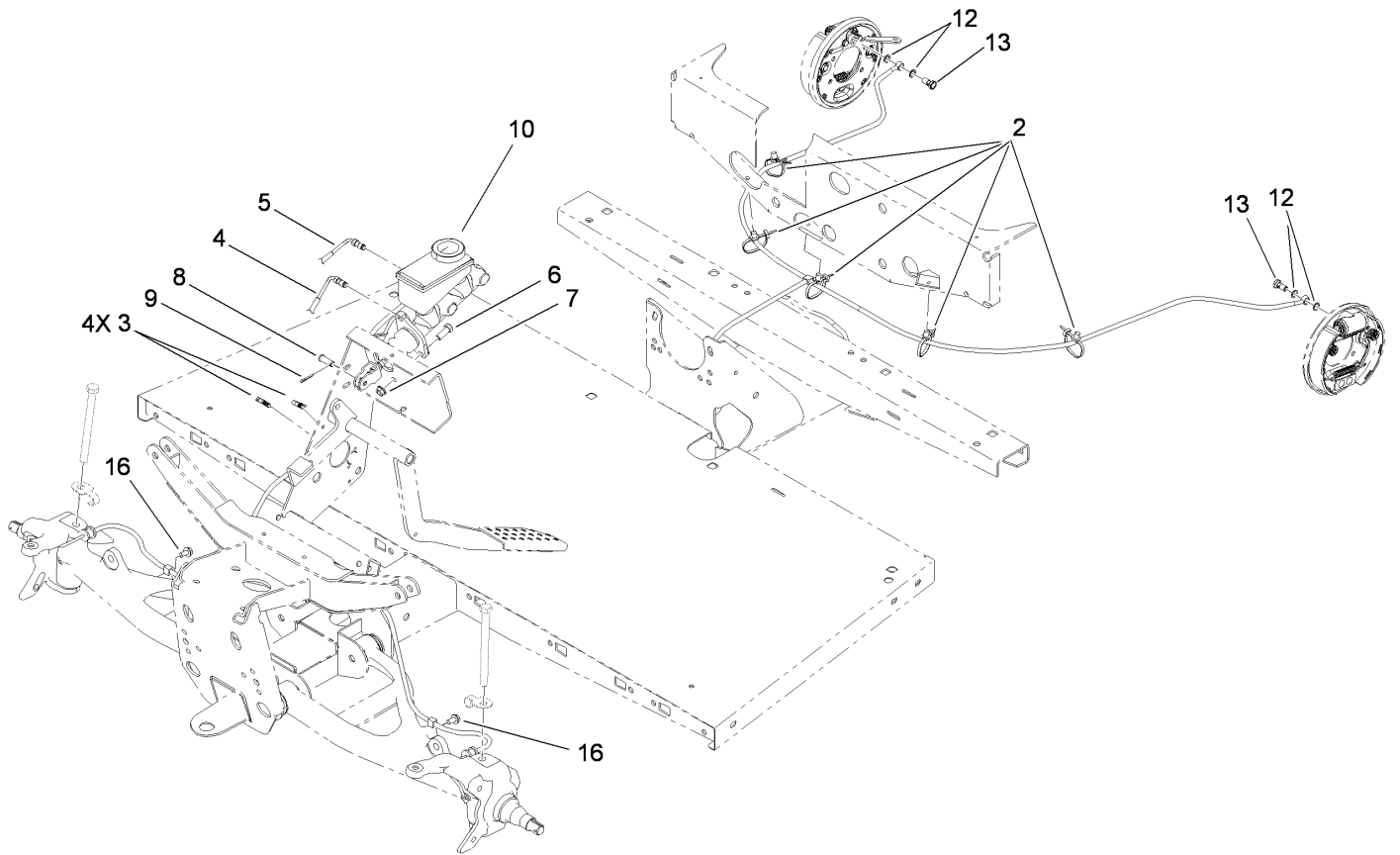
● Not serviced separately



## Air Cleaner Assembly No. 99-7120

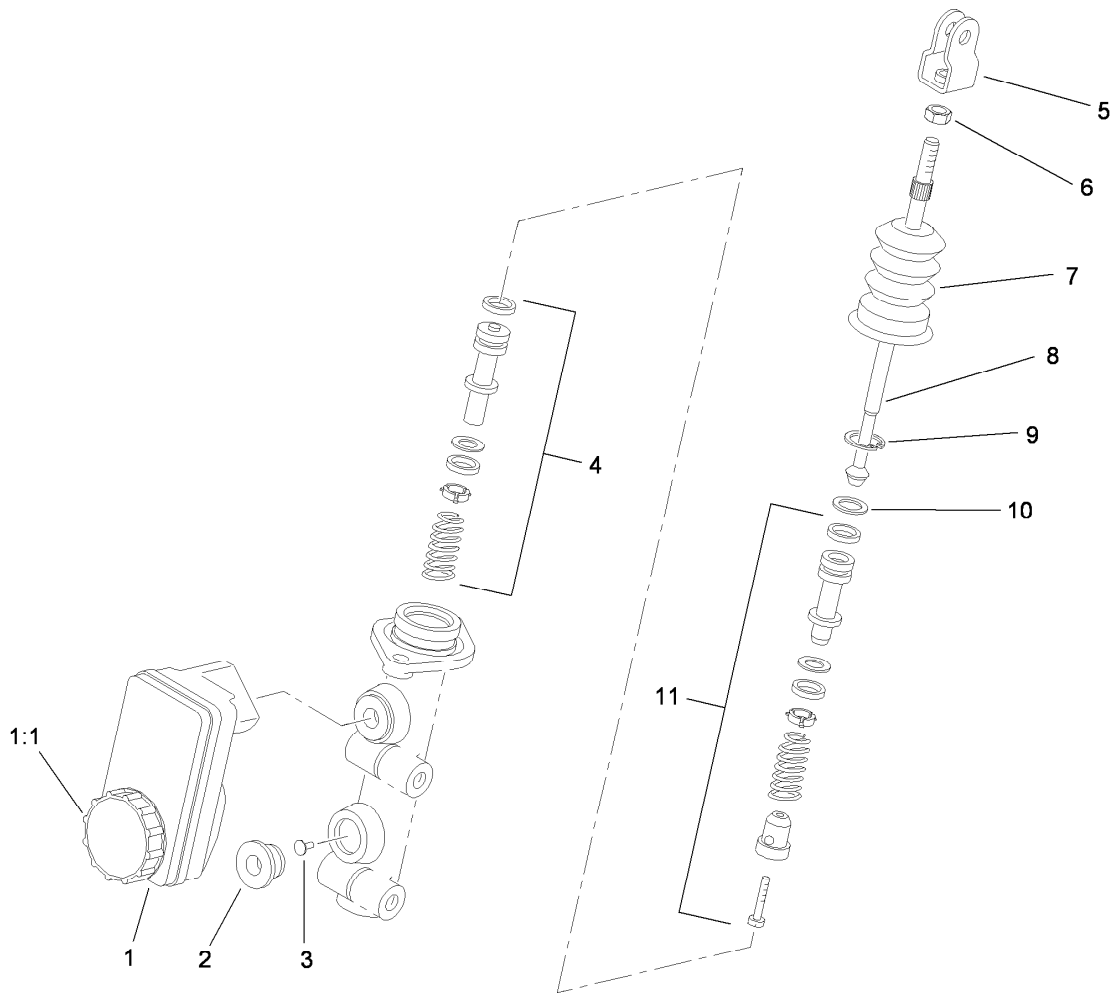
<i>Ref.</i>	<i>Part Number</i>	<i>Qty.</i>	<i>Description</i>
1		1	Body ●
2	108-3811	1	Filter-Air
3	94-3652	1	Cover ASM
4	87-9400	1	Valve-Vacuator
5		1	Plug ●
6		1	Marking ●

● Not serviced separately



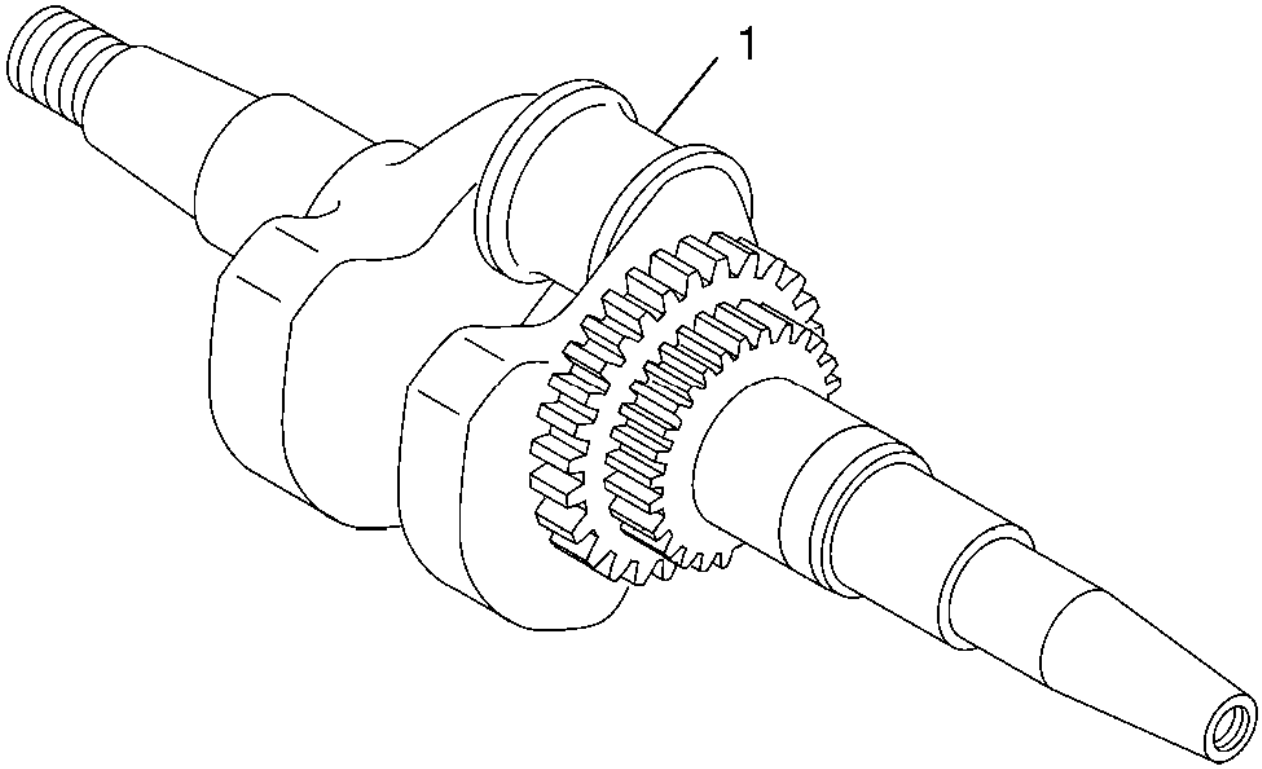
## Master Cylinder and Brake Line Assembly

<i>Ref.</i>	<i>Part Number</i>	<i>Qty.</i>	<i>Description</i>
2	32180-030	5	Clip-Harness W/Cable Tie
3	114-8324	4	Clip-Line, Brake
4	112-2925	1	Front Brake Line ASM
5	112-2926	1	Rear Brake Line ASM
6	323-6	2	Screw-HH
7	3290-357	2	Nut-HHF, Whiz
8	283-2	1	Pin-Clevis
9	3272-10	1	Pin-Cotter
10	104-6782	1	Cylinder-Master
12	115-2341	4	Washer-Banjo
13	115-2340	2	Bolt-Banjo
16	32104-82	2	Screw-HHF



## Master Cylinder Assembly No. 104-6782

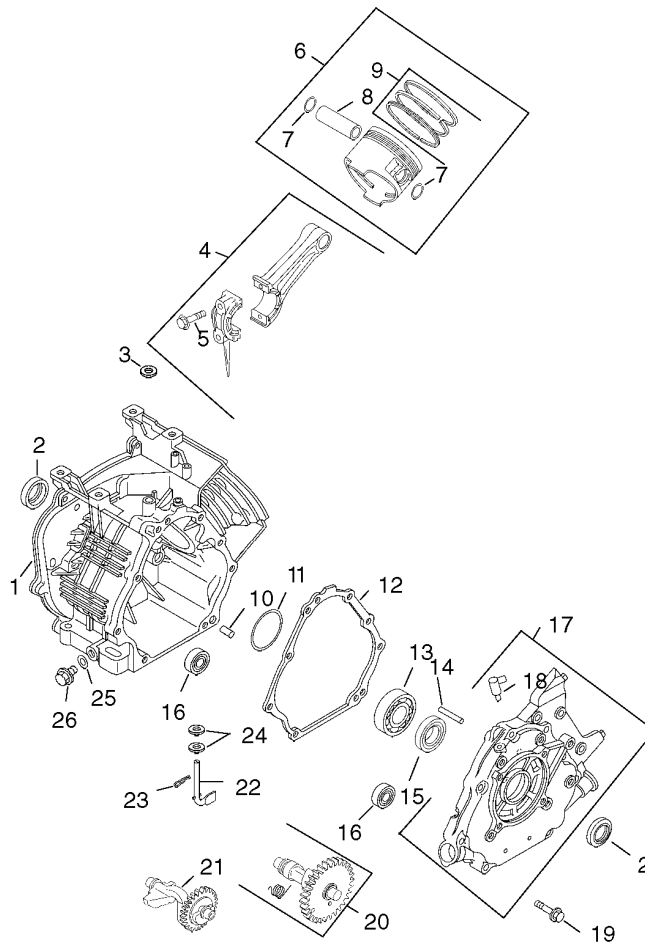
<i>Ref.</i>	<i>Part Number</i>	<i>Qty.</i>	<i>Description</i>
1	104-6845	1	Reservoir ASM
1:1	92-4112	1	Cap ASM
2	93-8971	2	Seal-Port, Flange
3	92-4103	1	Pin-Stop
4	92-4102	1	Secondary Piston ASM
5	92-4110	1	Clevis
6	21-0360	1	Nut-Hex
7	94-5209	1	Cover-Dust
8	94-5210	1	Rod-Push
9	92-4109	1	Ring-Snap
10	92-4108	1	Retainer-Washer
11	92-4101	1	Primary Piston ASM



## Crankshaft Assembly Kohler CS12 PA-941621

<i>Ref.</i>	<i>Part Number</i>	<i>Qty.</i>	<i>Description</i>
1	63 014 17-S	1	Crankshaft ●

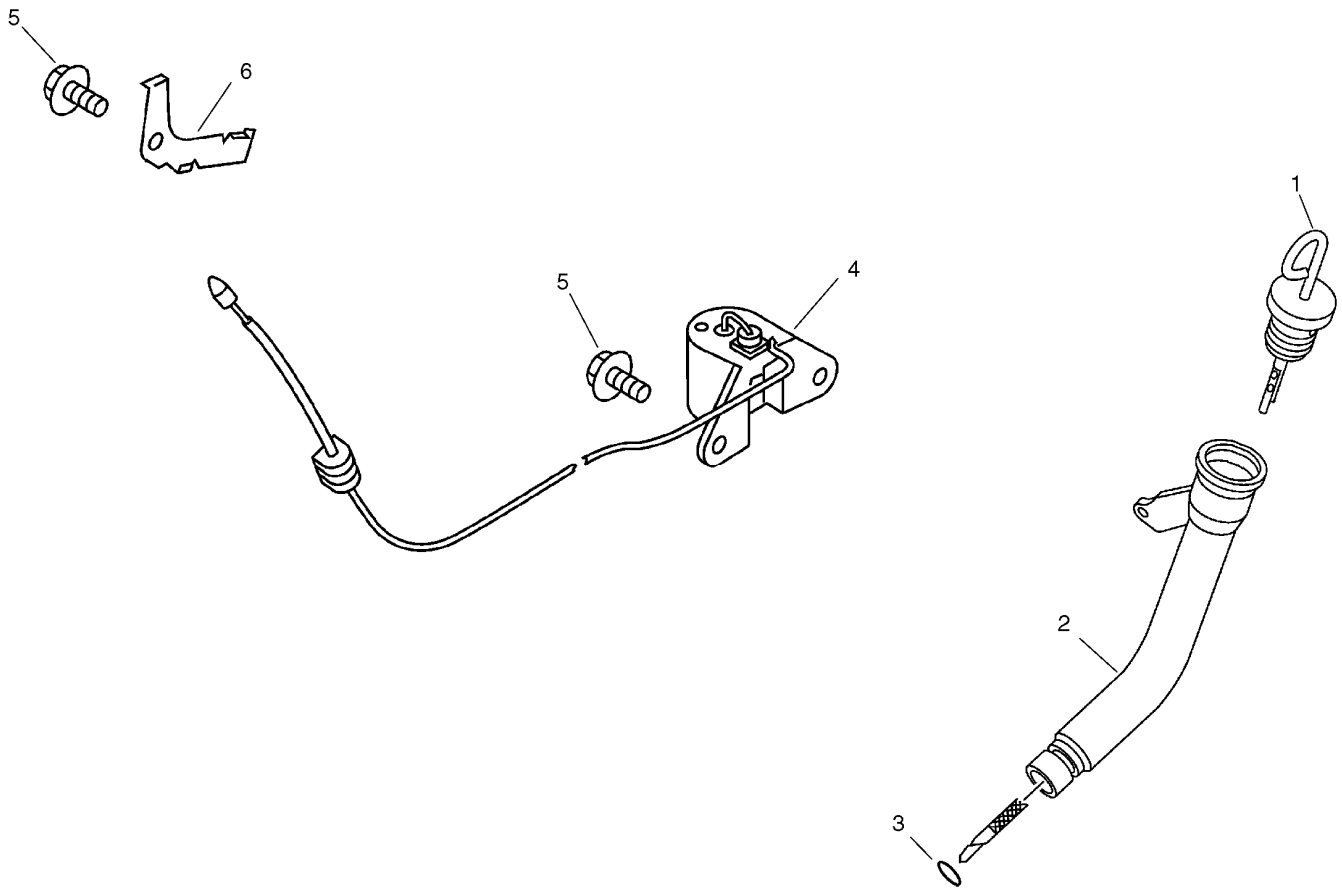
● Obtain Parts From Kohler



## Crankcase Assembly Kohler CS12 PA-941621

Ref.	Part Number	Qty.	Description	Ref.	Part Number	Qty.	Description
1	63 561 20-S	1	Crankcase ●	11	63 422 01-S	1	Shim-Crankshaft ●
2	63 032 02-S	2	Seal-Oil ●	12	63 041 07-S	1	Gasket-Plate, Closure ●
3	63 032 03-S	1	Seal-Shaft, Governor Cross ●	13	63 030 01-S	1	Bearing ●
4	63 067 01-S	1	Rod-Connecting ●	14	63 144 03-S	1	Shaft-Governor ●
5	63 211 01-S	2	Bolt-Rod, Connecting ●	15	63 030 03-S	1	Bearing ●
6	63 874 04-S	1	Piston W/Ring Set (Std.)(Includes 7-9) ●	16	63 030 02-S	2	Bearing ●
	63 874 05-S	1	Piston ASM W/Ring (+.25Mm) ●	17	63 009 12-S	1	Plate, Closure (Includes 16) ●
	63 874 06-S	1	Piston ASM W/Ring (+.50Mm) ●	18	63 155 01-S	1	Connector ●
7	63 018 02-S	2	Retainer-Pin, Piston ●	19	63 086 31-S	8	Screw-Plate, Closure ●
8	63 380 02-S	1	Pin, Piston ●	20	63 012 04-S	1	Camshaft (Includes 21) ●
9	63 108 01-S	1	Ring Set (STD) ●	21	63 089 01-S	1	Spring-Acr ●
	63 108 02-S	1	Ring Set (.25Mm O S) ●	22	63 144 16-S	1	Shaft-Balance ●
	63 108 03-S	1	Ring Set (.50Mm O S) ●	23	63 144 01-S	1	Shaft-Cross, Governor ●
10	63 380 04-S	2	Pin-Dowel ●	24	63 154 01-S	1	Clip ●
				25	63 468 03-S	2	Washer ●
				26	63 041 01-S	2	Gasket-Plug ●
				27	63 139 01-S	2	Plug-Drain ●

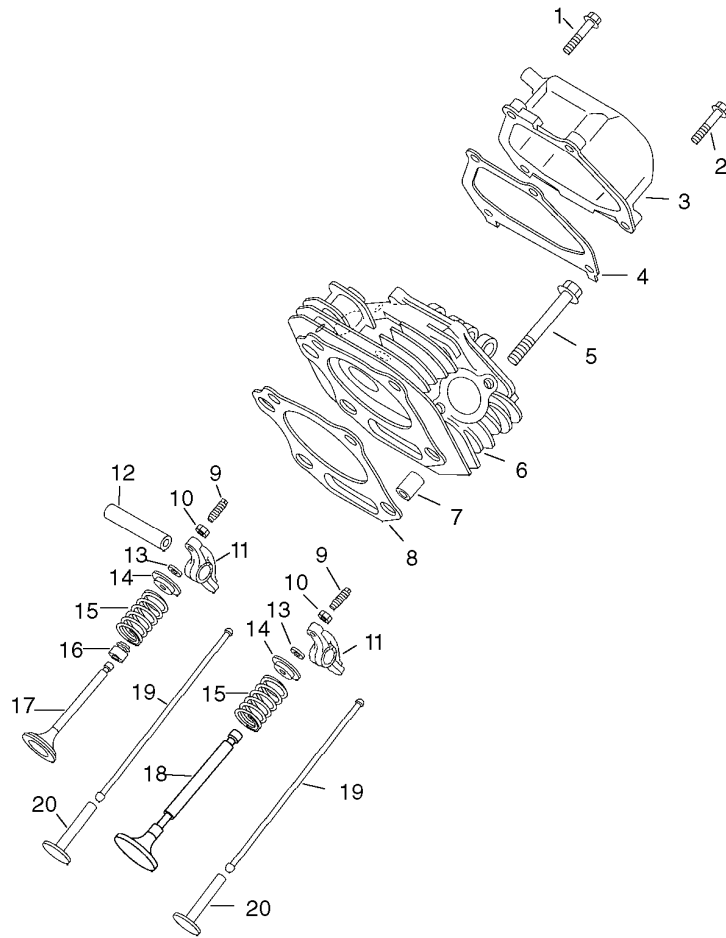
● Obtain Parts From Kohler



## Oil Pan and Lubrication Assembly Kohler CS12 PA-941621

<i>Ref.</i>	<i>Part Number</i>	<i>Qty.</i>	<i>Description</i>
1	63 038 02-S	1	Dipstick ●
2	63 123 01-S	1	Tube-Dipstick ●
3	63 153 10-S	1	O-Ring-Tube, Dipstick ●
4	63 099 01-S	1	Switch-Level, Oil ●
5	63 086 14-S	3	Screw ●
6	63 237 01-S	1	Clamp ●

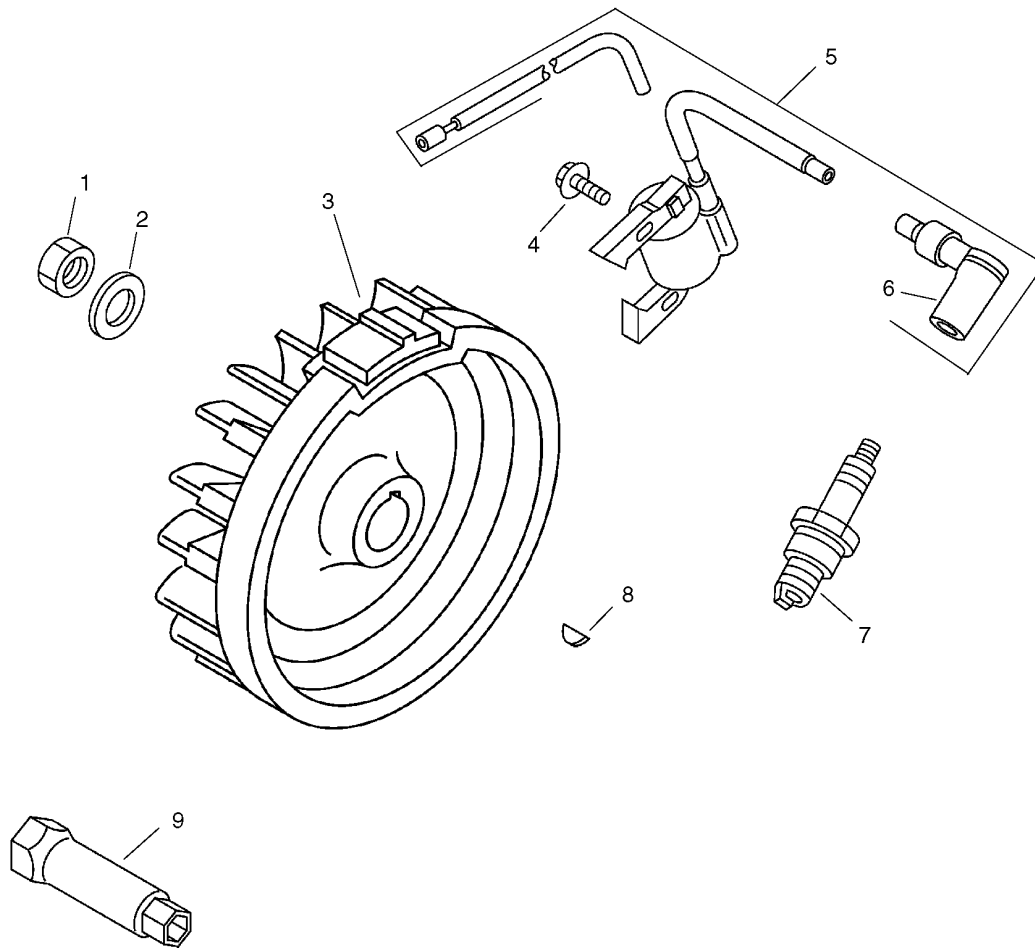
● Obtain Parts From Kohler



## Head, Valve and Breather Assembly Kohler CS12 PA-941621

<i>Ref.</i>	<i>Part Number</i>	<i>Qty.</i>	<i>Description</i>
1	63 086 02-S	3	Screw-Cover, Valve ●
2	63 086 44-S	1	Screw-Cover, Valve ●
3	63 096 18-S	1	Cover-Valve ●
4	63 041 04-S	1	Gasket-Cover, Valve ●
5	63 086 01-S	4	Screw-Head, Cylinder ●
6	63 318 07-S	1	Head-Cylinder ●
7	63 380 03-S	2	Pin-Dowel ●
8	63 041 44-S	1	Gasket-Head, Cylinder ●
9	63 086 05-S	2	Screw-Adjusting, Valve ●
10	63 100 02-S	2	Nut ●
11	63 186 01-S	2	Arm-Rocker ●
12	63 144 06-S	1	Shaft-Arm, Rocker ●
13	63 462 01-S	2	Keeper-Valve ●
14	63 173 01-S	2	Cap-Spring, Valve ●
15	63 089 05-S	2	Spring-Valve ●
16	63 032 01-S	1	Seal-Stem, Valve ●
17	63 017 01-S	1	Valve-Intake ●
18	63 016 01-S	1	Valve-Exhaust ●
19	63 411 01-S	2	Rod-Push ●
20	63 351 01-S	2	Lifter-Valve ●

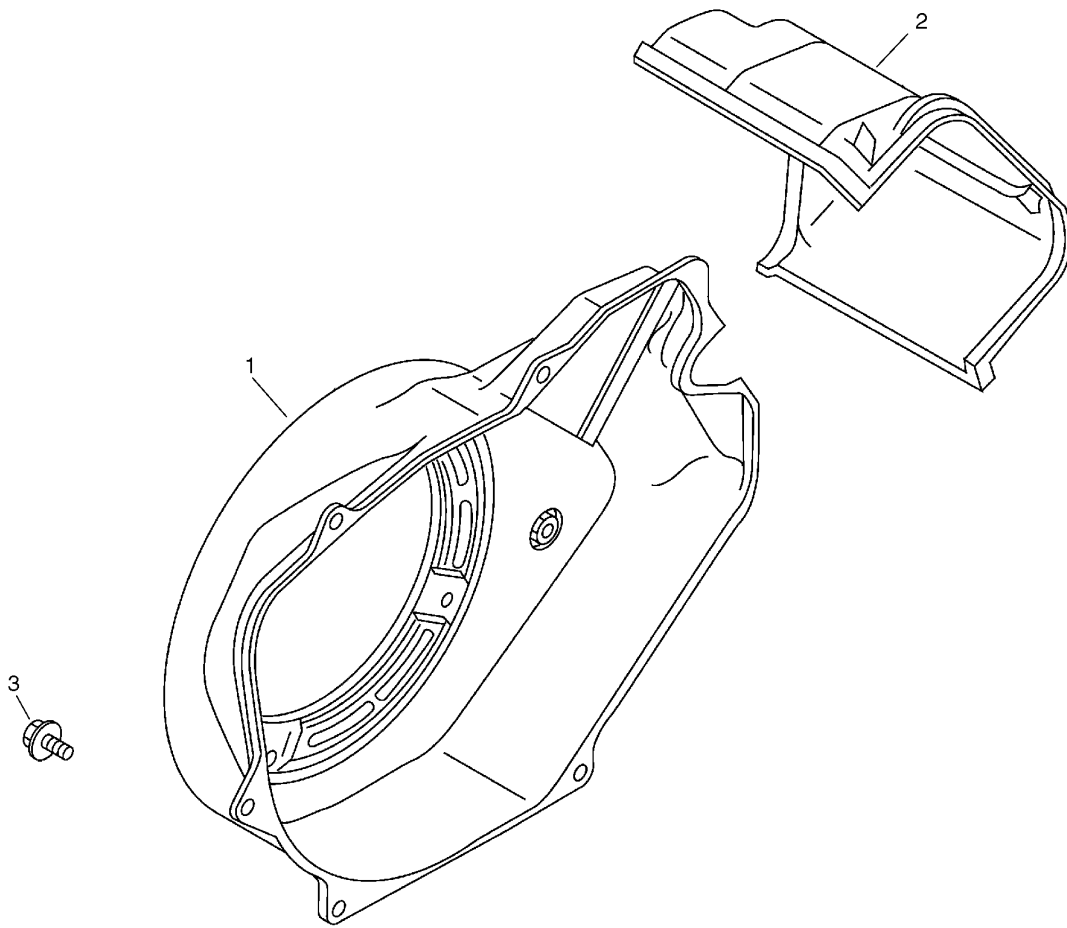
● Obtain Parts From Kohler



## Ignition and Electrical Assembly Kohler CS12 PA-941621

<i>Ref.</i>	<i>Part Number</i>	<i>Qty.</i>	<i>Description</i>
1	63 100 04-S	1	Nut-Flywheel ●
2	63 468 06-S	1	Washer-Flywheel ●
3	63 025 12-S	1	Flywheel ●
4	63 086 13-S	2	Screw ●
5	63 755 19-S	1	Ignition Module Asm ●
6	63 173 02-S	1	Cap-Plug, Spark ●
7	63 132 01-S	1	Plug-Spark ●
8	63 340 02-S	1	Key-Woodruff ●
9	63 213 01-S	1	Wrench-Spark Plug ●

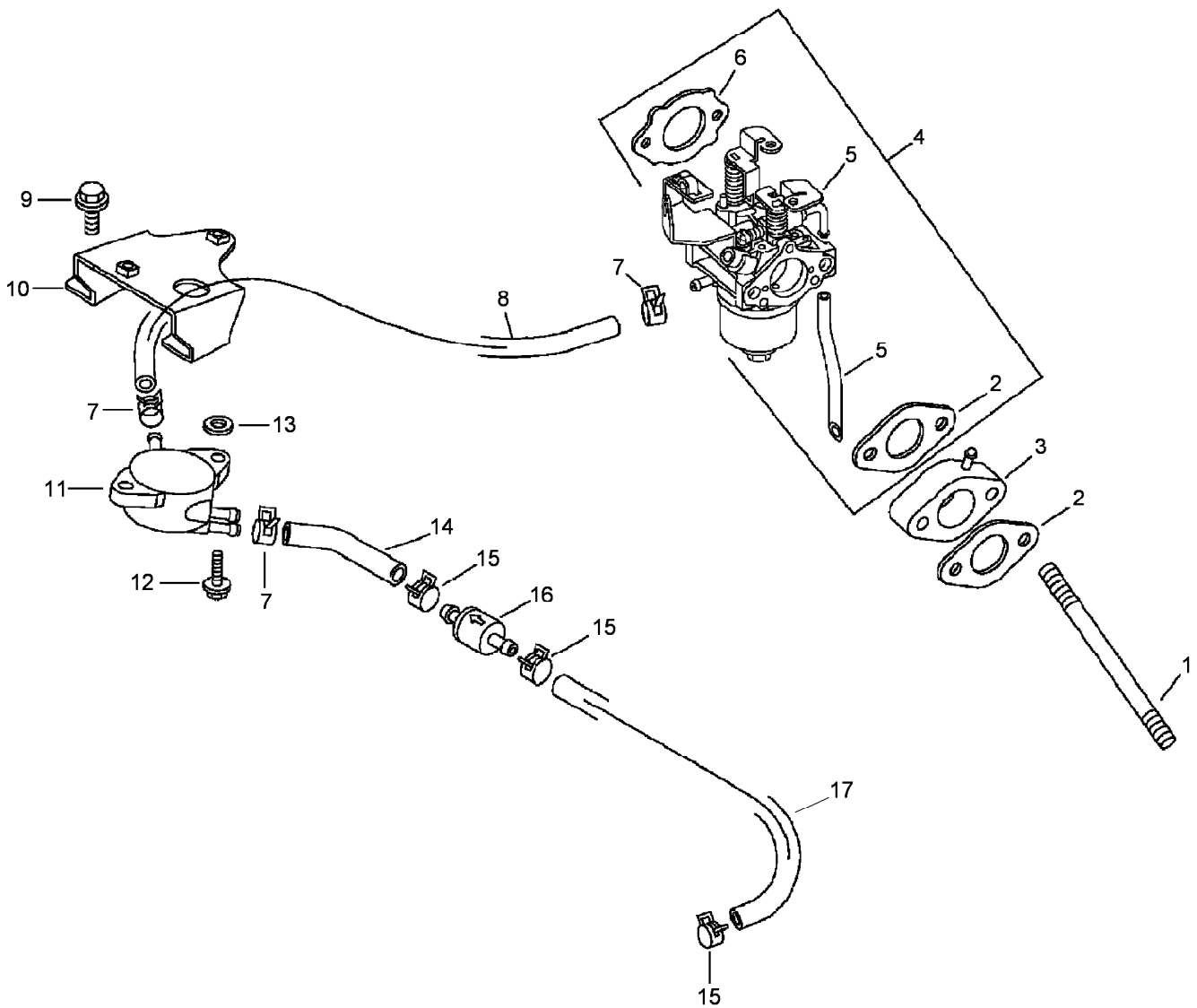
● Obtain Parts From Kohler



## Blower Housing and Baffle Assembly Kohler CS12 PA-941621

<i>Ref.</i>	<i>Part Number</i>	<i>Qty.</i>	<i>Description</i>
1	63 027 07-S	1	Housing, Blower ●
2	63 063 01-S	1	Baffle-Cylinder ●
3	63 086 14-S	6	Screw ●

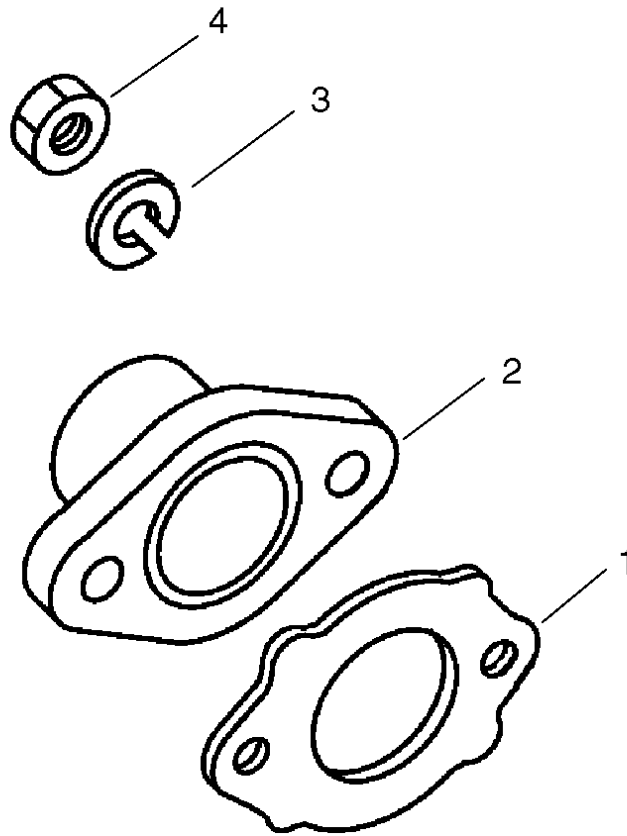
● Obtain Parts From Kohler



## Fuel System Assembly Kohler CS12 PA-941621

<i>Ref.</i>	<i>Part Number</i>	<i>Qty.</i>	<i>Description</i>	<i>Ref.</i>	<i>Part Number</i>	<i>Qty.</i>	<i>Description</i>
1	63 072 06-S	2	Stud-Carburetor	9	63 086 21-S	2	Screw-Bracket
2	63 041 13-S	2	Gasket-Intake	10	63 126 22-S	1	Bracket-Pump, Fuel
3	63 164 01-S	1	Manifold-Intake	11	63 393 01-S	1	Pump-Fuel
4	63 853 22-S	1	Kit, Carburetor W/Gaskets (Incl. 2 [qty 1], 5, 6)	12	63 086 81-S	2	Screw-Head, Washer
5	63 053 22	1	Carburetor ASM (For Information Only Not Available Separately)(Service With: 63 757 02-S, 63 757 10-S)	13	63 041 45-S	2	Gasket-Pump, Fuel
6	63 041 08-S	1	Gasket-Cleaner, Air	14	63 353 06-S	1	Hose (Filter To Pump)
7	63 154 07-S	3	Clip (Cs8.6)	15	63 237 19-S	3	Clamp-Line, Vacuum
8	63 353 07-S	1	Hose-Pump To Carburetor	16	63 050 06-S	1	Filter-Line, Vacuum
				17	63 353 08-S	1	Hose-Vacuum (Crankcase To Filter)
					63 757 02-S	1	Float ASM ●
					63 757 10-S	1	Carburetor Repair ASM ●

● Not illustrated

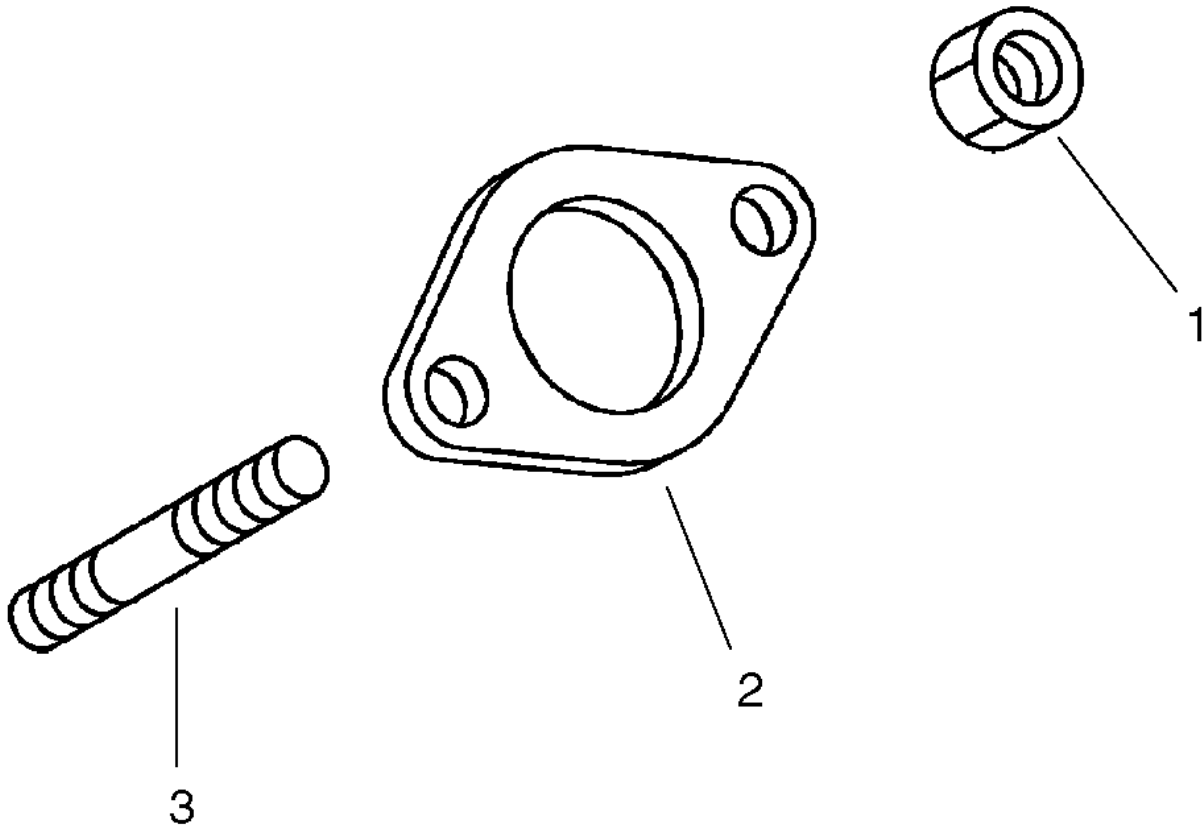


## Air Intake and Filtration Assembly Kohler CS12 PA-941621

Ref.	Part Number	Qty.	Description
1	63 041 08-S	1	Gasket-Cleaner, Air ■
2	63 054 01-S	1	Elbow-Cleaner, Air ■
3	63 468 31-S	2	Washer-Spring ■
4	63 100 03-S	2	Nut-Exhaust ■
	63 113 28-S	1	Label-Emissions ■●

● Not illustrated

■ Obtain Parts From Kohler



## Exhaust Assembly Kohler CS12 PA-941621

<i>Ref.</i>	<i>Part Number</i>	<i>Qty.</i>	<i>Description</i>
1	63 100 03-S	2	Nut-Exhaust ■
2	63 041 06-S	1	Gasket-Exhaust ■
3	63 072 01-S	2	Stud-Exhaust ■
	63 755 01-S	1	Gasket Set ■●

● Not illustrated

■ Obtain Parts From Kohler

# Attachments and Accessories

## For 07266 Workman MD Utility Vehicle

<b>Product Name</b>	<b>Model/Part</b>
Roll-Over Protection System .....	07276
Receiver Hitch Kit .....	07278
Stake Side Kit .....	07290
Portable Refreshment Center .....	07298
Canopy Kit .....	07324
Solid Windshield Kit .....	07325
Folding Windshield Kit .....	07326
Snow Plow .....	07327
Hard Cab .....	07328
Heavy-Duty Bumper Kit .....	07329
Rear Lift Kit .....	07334
Electric Bed Lift Kit .....	07335
Vinyl Enclosure .....	07337
Heavy-Duty Brush Guard and Bumper Kit .....	07338
Slant Board .....	07340
Sliding Window Door Kit .....	07352
Fixed Window Door Kit .....	07353
Wheel-5 Bolt .....	104-6889
Tire-AT 489, 24x10.5-10 .....	104-7061
Tire-AT 489, 22x9.5-10 .....	104-7062
Brake and Signal Light Kit .....	115-7749
Lift Wire Harness Kit .....	115-7823
Backup Alarm Kit .....	115-7824
Horn Kit .....	115-7825
Replacement Front Spring Kit .....	117-4847
Tire And Wheel Asm .....	119-0751



**Count on it.**