



Count on it.

Parts Catalog

Workman® MD Utility Vehicle

Model No. 07266—Serial No. 310000001 and Up



Ordering Replacement Parts

To order replacement parts, please supply the part number, the quantity, and the description of each part desired.

Understanding Reference Numbers

Each identified part in an illustration has a reference number. The reference number for a part also appears in the parts list, along with other information about the part.

This catalog uses two special reference number formats, one to indicate parts in a service assembly and another to indicate the quantity of a given part in an illustration.

Service Assembly Reference Numbers

Parts in service assemblies have reference numbers in the form a:b. The a represents the reference number of the entire service assembly and the b represents a sequential number unique to each part within the service assembly.

For example, a wheel assembly might be identified by reference number 6, the tire by 6:1, the valve by 6:2, and the wheel by 6:3. When you order the assembly identified by reference number 6, you receive all parts identified by reference numbers 6:1, 6:2, and 6:3. However, you may also order any part individually. Reference numbers of this type appear in illustration and in parts lists.

Reference Numbers Indicating Quantity

In an illustration, if a reference number indicates more than one part, the reference number has the form nX y. The n represents the quantity of the part, the X is the multiplication symbol, and the y represents the reference number.

For example, in an illustration, the reference number 2X 37 means that two of the parts identified by reference number 37 are indicated.

List of Abbreviations

AR: as required

ASM: assembly

BBC: blade brake control

BHTF: button head thread forming

CARR: carriage

CCW: counter clockwise

CW: clockwise

DEG: degrees

DPA: Dual Point Adjustment

ECM: electronic control module

EXT: external

FH: flat head

GA: gauge

HD: heavy-duty

HF: hex flange

HH: hex head

HHF: hex head flange

HHFTF: hex head flange thread forming

HJ: hex jam

HLH: hex lag head

HOC: height-of-cut

HSBH: hex socket button head

HSFH: hex socket flat head

HSH: hex socket head

HWH: hex washer head

HWTF: hex washer head thread forming

HYD: hydraulic

LH: left hand

LPG: Liquid Propane Gas

NI: nylon insert

NPTF: national pipe thread fine

PFH: phillips flat head

PPH: phillips pan head

PPHTF: phillips pan head thread forming

PRH: phillips round head

PTH: phillips truss head

PTO: power-take-off

RH: right hand

ROPS: roll-over protection system

RRB: rear roller brush

SFH: slotted fillister head

SHH: slotted hex head

SHWH: slotted hex washer head

SPH: slotted pan head

SQH: square head

SRH: slotted round head

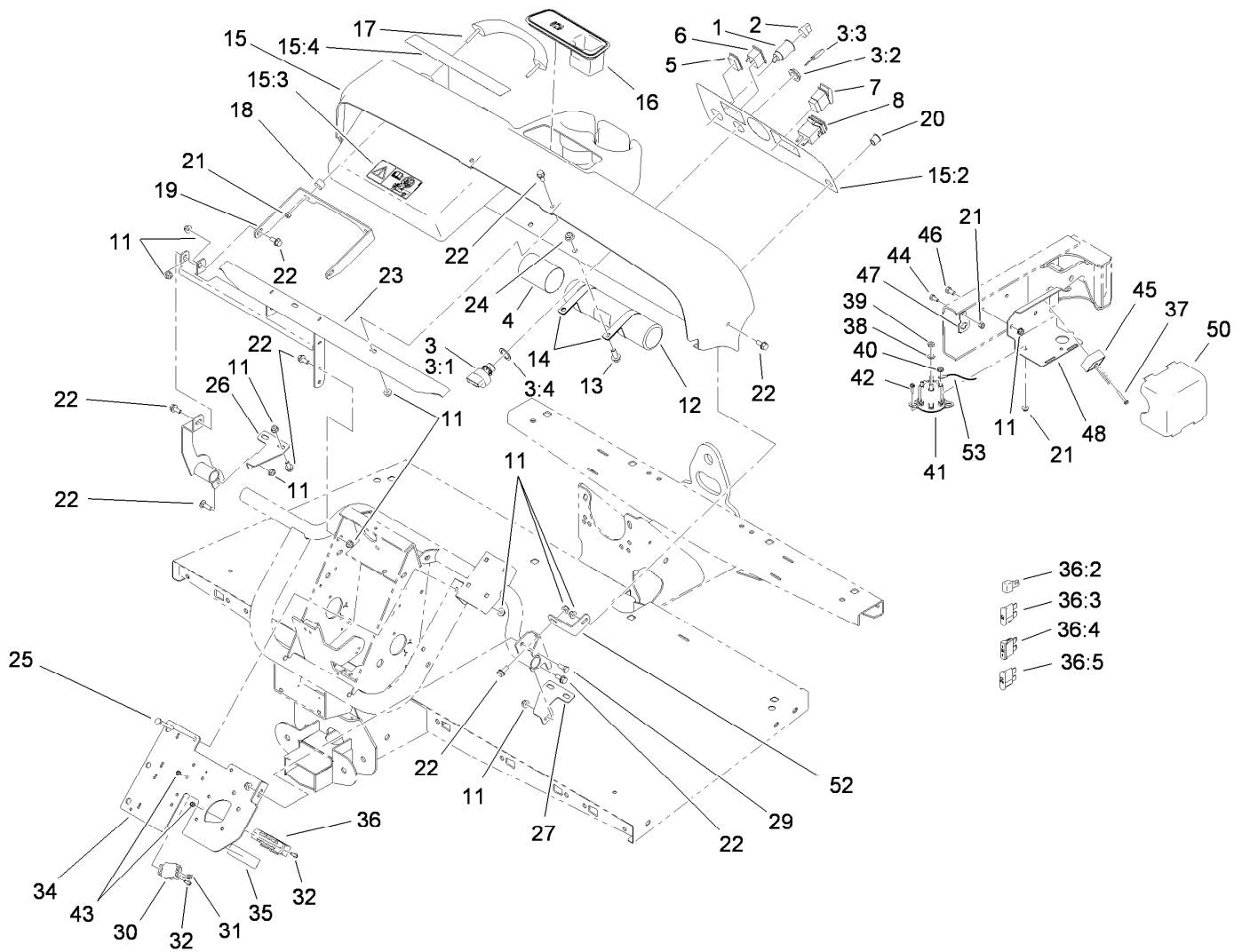
STD: standard

TAP: self tapping

TTH: torx truss head

Contents

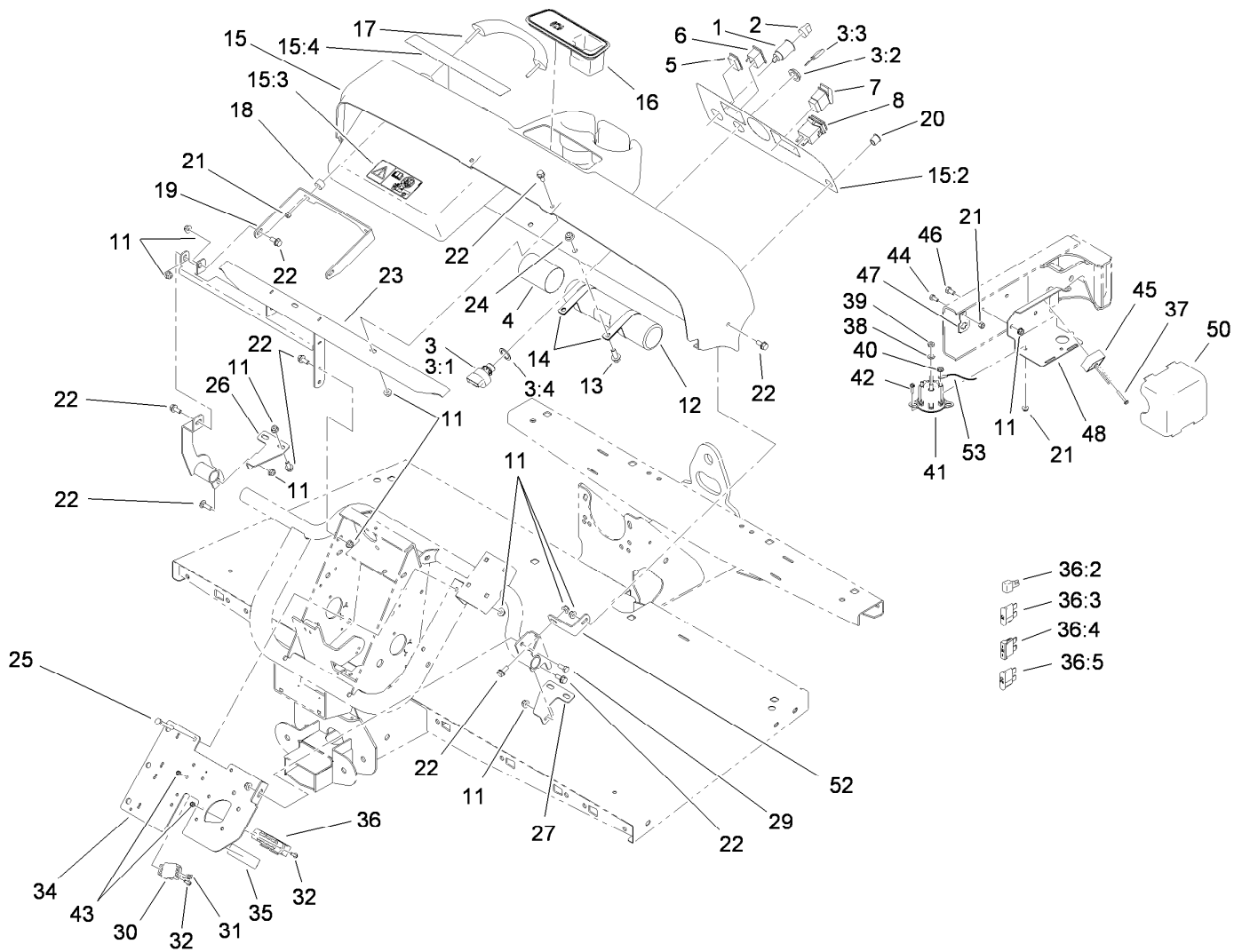
Dash Assembly	4
Pedal Box Assembly	6
Shifter Assembly	7
Front Frame Assembly	8
Seat Base Assembly	9
Front Tire, Spindle and Tie Rod Assembly	10
Rear Tire and Transaxle Assembly	11
Transaxle Assembly No. 115-2300	12
LH Rear Brake Assembly No. 114-8332	14
RH Rear Brake Assembly No. 114-8331	15
Secondary Clutch Assembly No. 119-0803	16
Upper Steering Assembly	17
Steering Box Assembly No. 112-3130	18
Box and Tailgate Installation Assembly	19
Box and Tailgate Assembly	20
Hood and Fender Assembly	21
Frame Assembly	22
Engine and Clutch Assembly	23
Primary Clutch Assembly No. 119-0802	25
Starter Generator Assembly No. 99-7108	26
Air Cleaner Assembly No. 99-7120	27
Master Cylinder and Brake Line Assembly	28
Master Cylinder Assembly No. 104-6782	29
Attachments and Accessories	30



Dash Assembly

Ref.	Part Number	Qty.	Description	Ref.	Part Number	Qty.	Description
1	99-7411	1	Point-Power	15:2	117-5001	1	Decal-Panel, Control
2	99-7416	1	Cap	15:3	104-6581	1	Decal-Danger
3	112-3323	1	Ignition Switch ASM	15:4	115-2412	1	Decal-No Storage
3:1		1	Switch-Ignition ●	16	104-6930	1	Plug-Rubber
3:2	108-8660	1	Nut-Mounting	17	112-3320	1	Handle-Grip
3:3	99-7418	1	Key-Ignition	18	114-8301	2	Spacer
3:4	108-8659	1	Washer-Backup	19	112-3391-03	1	Bracket-Grip, Handle
4	104-7048	1	Cap-Housing	20	94-5627	1	Plug
5	99-7420	1	Plug-Hole	21	104-7201	5	Nut-HF
6	99-7410	1	Indicator-Light, Low-Oil Pressure	22	110-5053	15	Screw-HHF
7	95-8999	1	Switch	23	115-7651-03	1	Dash Support ASM
8	94-4208	1	Hourmeter	24	104-8301	2	Nut-Flange, NI
11	104-8300	20	Nut-Flange, NI	25	322-11	2	Screw-HH
12	104-7050	1	Tube-Manual	26	114-8304	1	Bracket-Dash Mount, RH
13	3234-11	2	Screw-HHF	27	114-8312	1	Bracket-Dash Mount, LH
14	2412-133	2	R-Clamp	29	322-3	1	Screw-HH
15	114-8310	1	Dash ASM	30	42862	1	Block-Terminal, Ground
				31	42863	1	Strip-Jumper

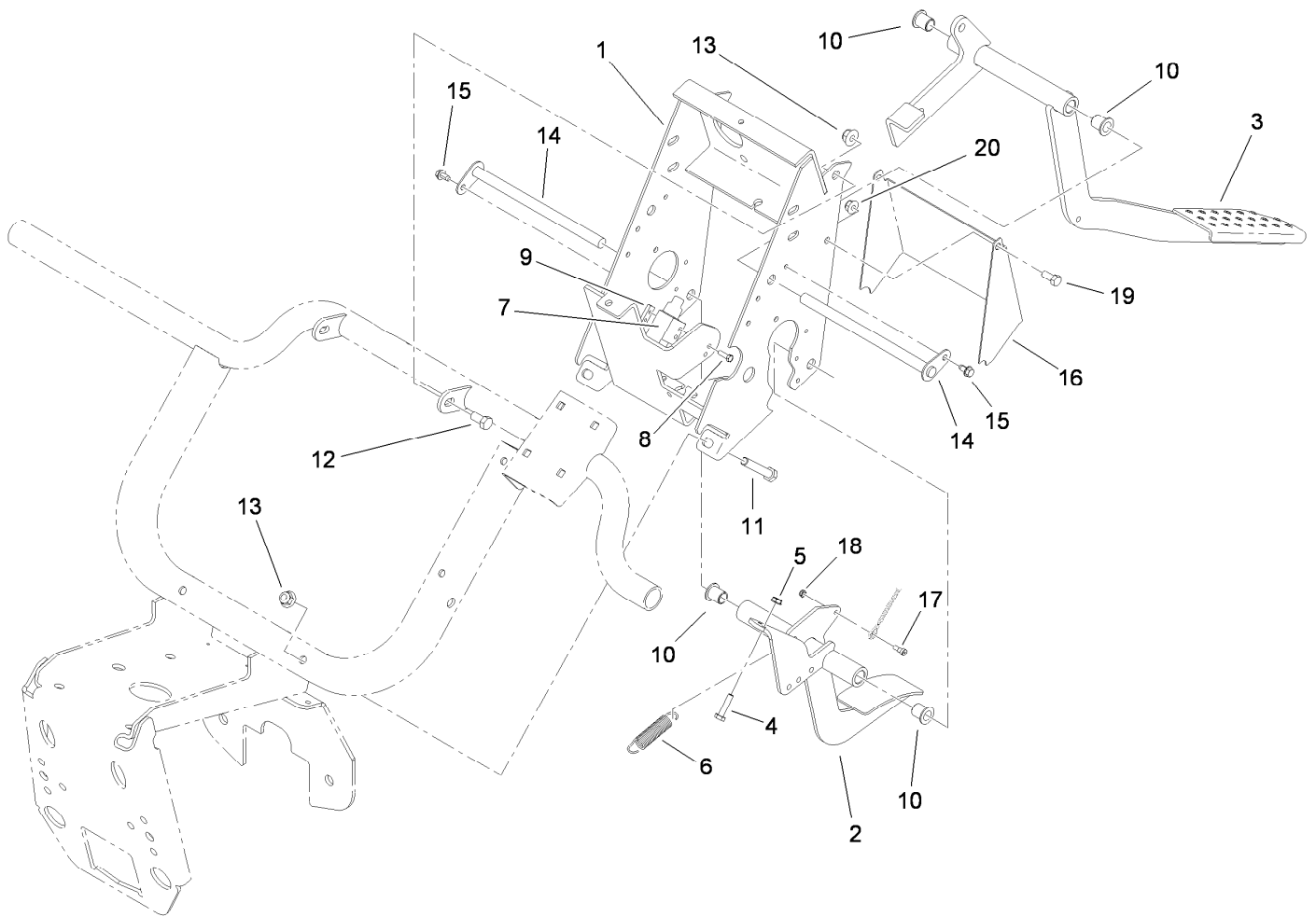
● Not serviced separately



Dash Assembly (continued)

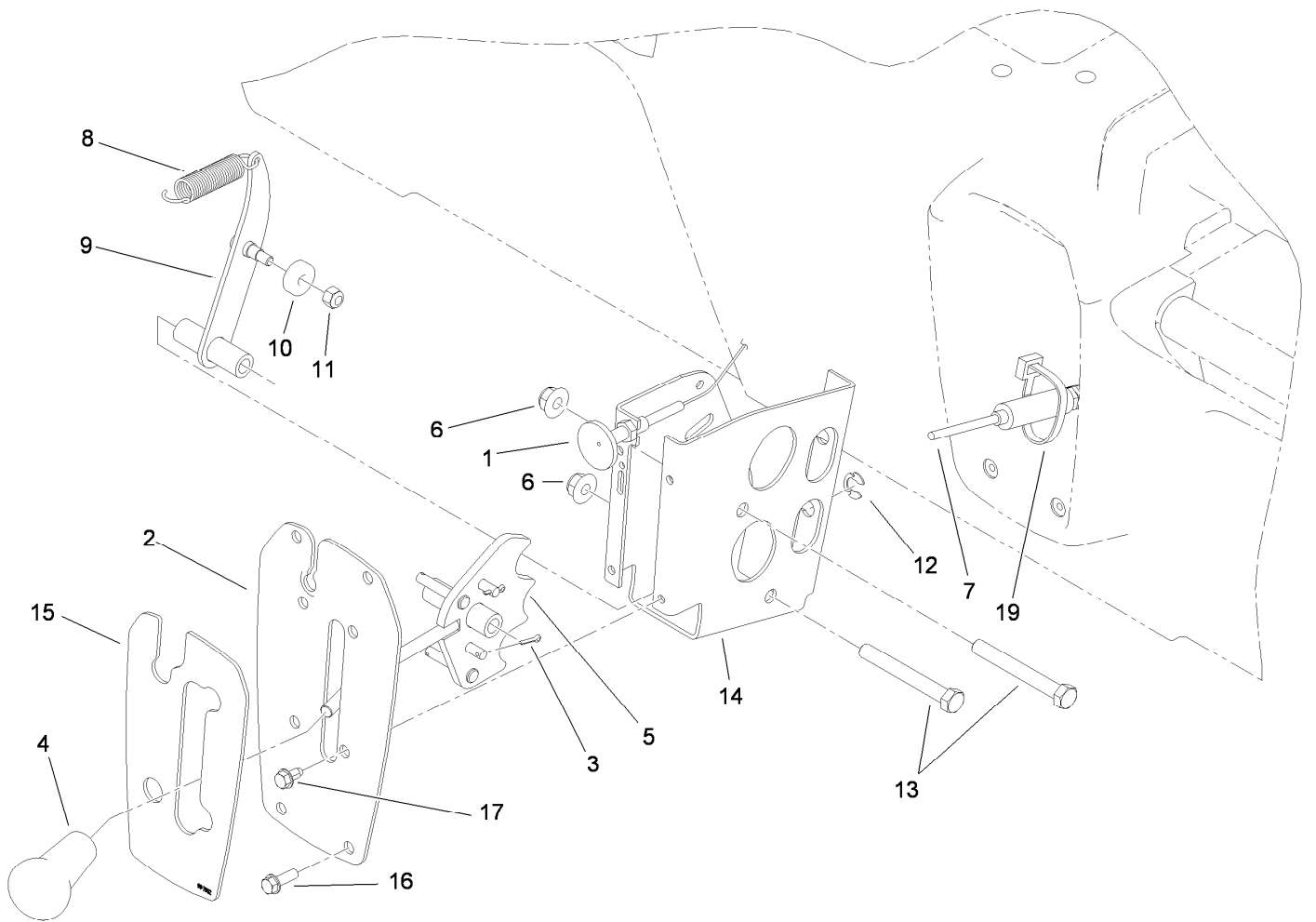
Ref.	Part Number	Qty.	Description	Ref.	Part Number	Qty.	Description
32	32105-13	4	Screw-HWH	41	114-3315	1	Solenoid-12 Vdc
34	112-3376-03	1	Plate-Mount, Electrical	42	3234-33	2	Screw-HHF
35	112-3325	1	Decal-Block, Fuse	43	3296-2	4	Nut-Lock, NI
36	115-8137	1	Harness-Wire, Main	44	321-3	1	Screw-HH
36:2	100-4918	1	Diode	45	104-6927	1	Regulator
36:3	218-578	1	Fuse-Blade, 10 Amp	46	322-2	2	Screw-HH
36:4	109355	1	Fuse-Blade, 15 Amp	47	114-5502	1	Clip-Fuse
36:5	109101	1	Fuse-Blade, 20 Amp	48	119-0752-03	1	Mount-Component
37	100-4352	1	Screw-HWH	50	112-3027	1	Cover-Controller
38	3255-8	2	Washer-Lock	52	114-8305	1	Angle-Mount, Dash (LH)
39	3220-2	2	Nut-Jam	53	112-3537	1	Cable-Battery, Positive
40	32149-8	2	Nut-Keps				

● Not serviced separately



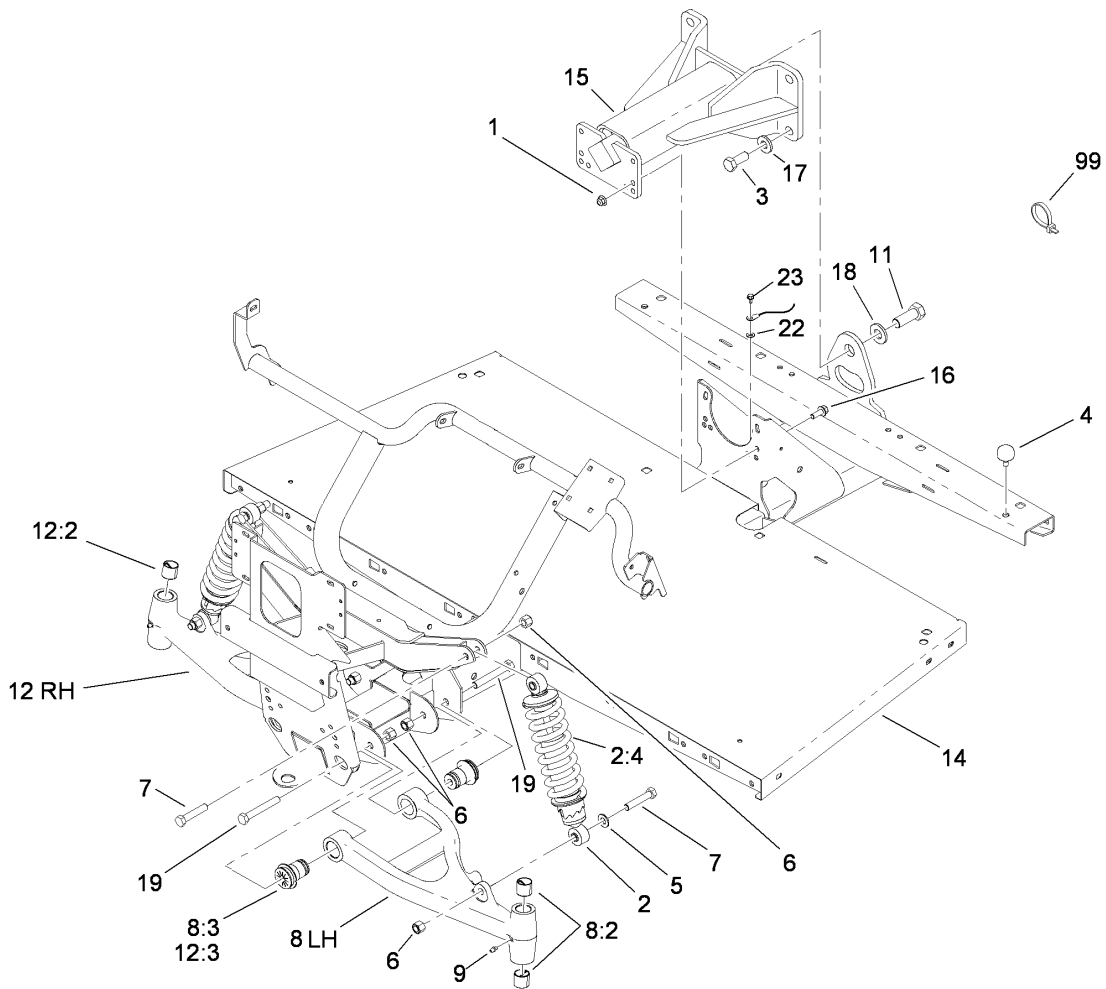
Pedal Box Assembly

<i>Ref.</i>	<i>Part Number</i>	<i>Qty.</i>	<i>Description</i>	<i>Ref.</i>	<i>Part Number</i>	<i>Qty.</i>	<i>Description</i>
1	119-0748-03	1	Pedal Support Frame ASM	11	323-11	2	Screw-HH
2	115-7630-03	1	Throttle Pedal ASM	12	323-4	2	Screw-HH
3	112-3314-03	1	Brake Pedal ASM	13	104-8301	4	Nut-Flange, NI
4	321-7	2	Screw-HH	14	104-7164	2	Pivot-Pedal
5	32149-2	2	Nut-Keps	15	12-3270	2	Screw
6	104-6415	1	Spring-Return, Pedal	16	115-7619-03	1	Cover
7	99-7407	1	Switch	17	115-7632	1	Bolt-Shoulder
8	3290-134	2	Screw	18	3296-47	1	Nut-Lock, NI
9	1-633181	1	Plate-Tapped	19	322-3	2	Screw-HH
10	256-155	4	Bushing-Flange	20	104-8300	2	Nut-Flange, NI



Shifter Assembly

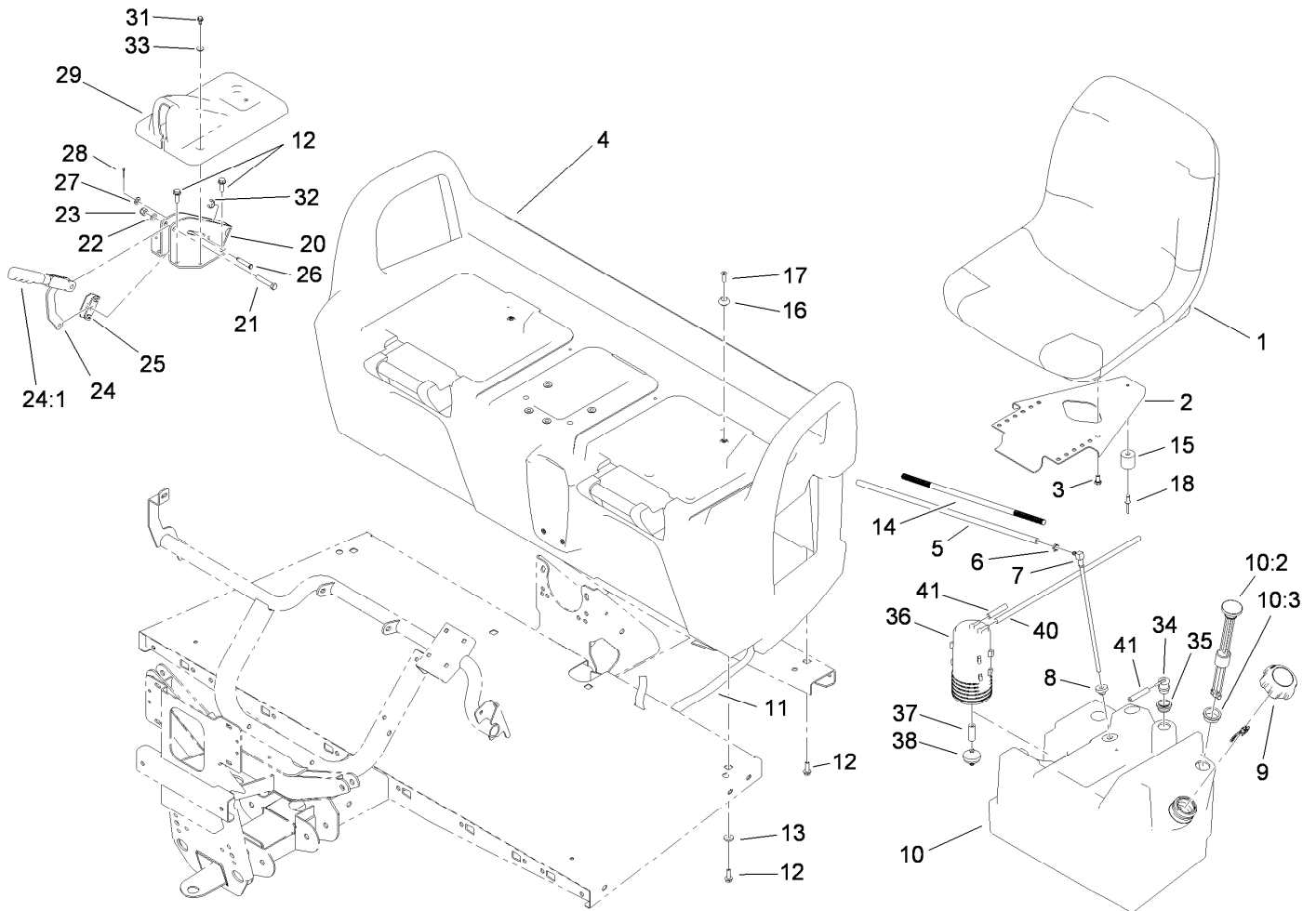
<i>Ref.</i>	<i>Part Number</i>	<i>Qty.</i>	<i>Description</i>	<i>Ref.</i>	<i>Part Number</i>	<i>Qty.</i>	<i>Description</i>
1	104-6507	1	Cable-Choke	10	251-307	1	Bearing-Ball
2	99-7887-03	1	Plate-Shifter	11	3296-42	1	Nut-Lock, NI
3	3272-5	2	Pin-Cotter	12	32151-101	2	E-Ring
4	99-7981	1	Knob-Grip, Soft	13	323-14	2	Screw-HH
5	114-2719	1	Plate-Detent	14	108-3141-03	1	Bracket-Shift
6	104-8301	2	Nut-Flange, NI	15	99-7952	1	Decal-Shifter
7	115-7679	2	Tension Cable Control ASM	16	32105-15	4	Screw
8	104-6415	1	Spring-Return, Pedal	17	12-3270	4	Screw
9	108-3138	1	Arm-Detent	19	3290-378	1	Tie-Cable



Front Frame Assembly

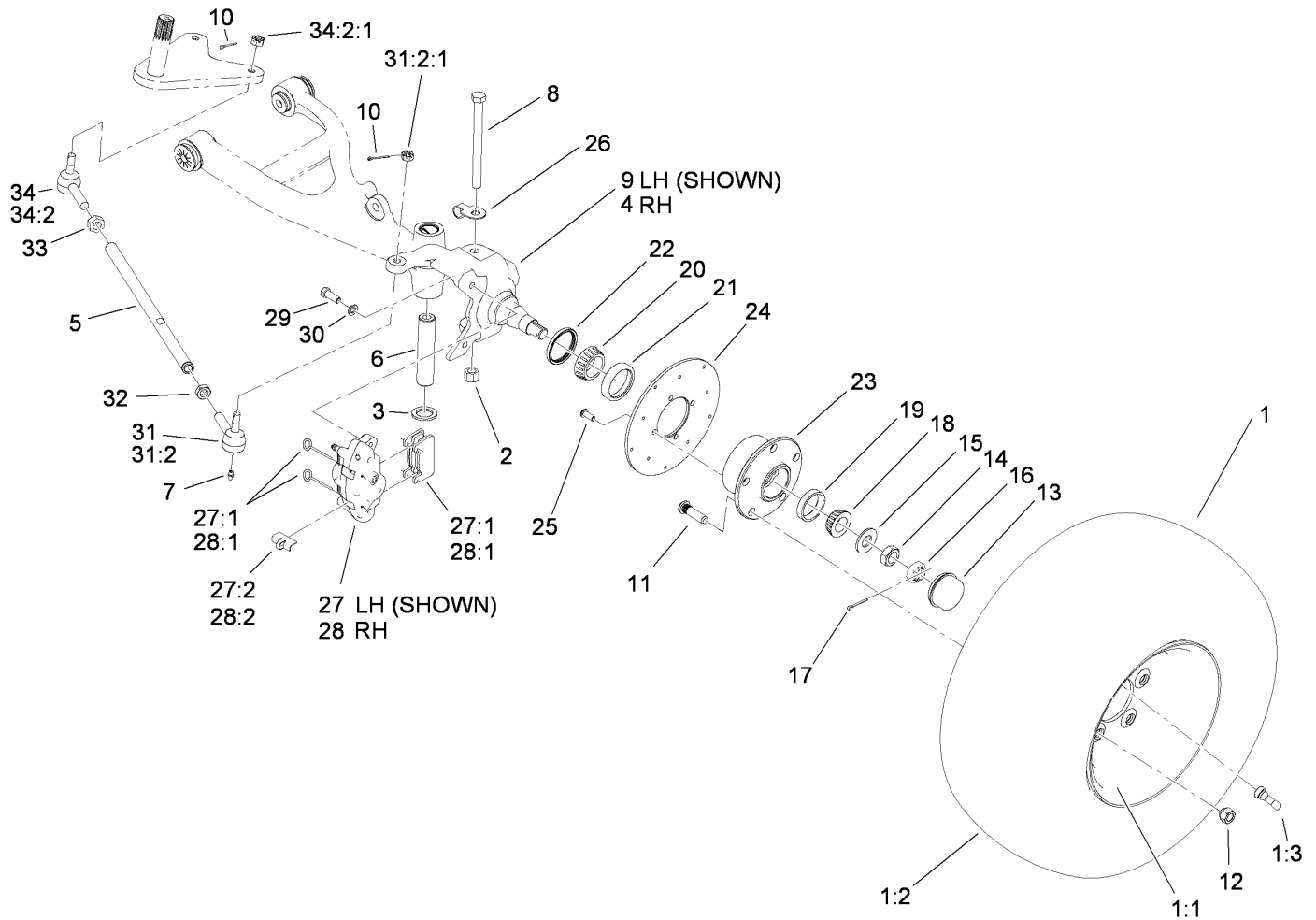
<i>Ref.</i>	<i>Part Number</i>	<i>Qty.</i>	<i>Description</i>
1	104-8301	4	Nut-Flange, NI
2	112-2975	2	Shock/Spring ASM
2:4	112-3383	1	Spring
3	327-4	4	Screw-HH
4	87-2440	1	Bumper-Rubber
5	3256-26	2	Washer-Flat
6	3296-23	8	Nut-Lock, NI
7	325-10	4	Screw-HH
8	114-8313	1	LH A-Arm ASM
8:2	3-0348	2	Bushing
8:3	87-1450	2	Bushing-Flange
9	302-5	2	Fitting-Grease
11	328-24	1	Screw-HH

<i>Ref.</i>	<i>Part Number</i>	<i>Qty.</i>	<i>Description</i>
12	114-8314	1	RH A-Arm ASM
12:2	3-0348	2	Bushing
12:3	87-1450	2	Bushing-Flange
14	112-3340-03	1	Front Frame ASM
15	99-7700	1	Pivot Yoke ASM
16	3234-11	4	Screw-HHF
17	99-7667	4	Washer-Flat
18	87-3060	1	Washer-Hardened
19	325-14	4	Screw-HH
22	3254-16	1	Washer-Lock/Int
23	12-3270	1	Screw
99	3290-379	12	Tie-Cable



Seat Base Assembly

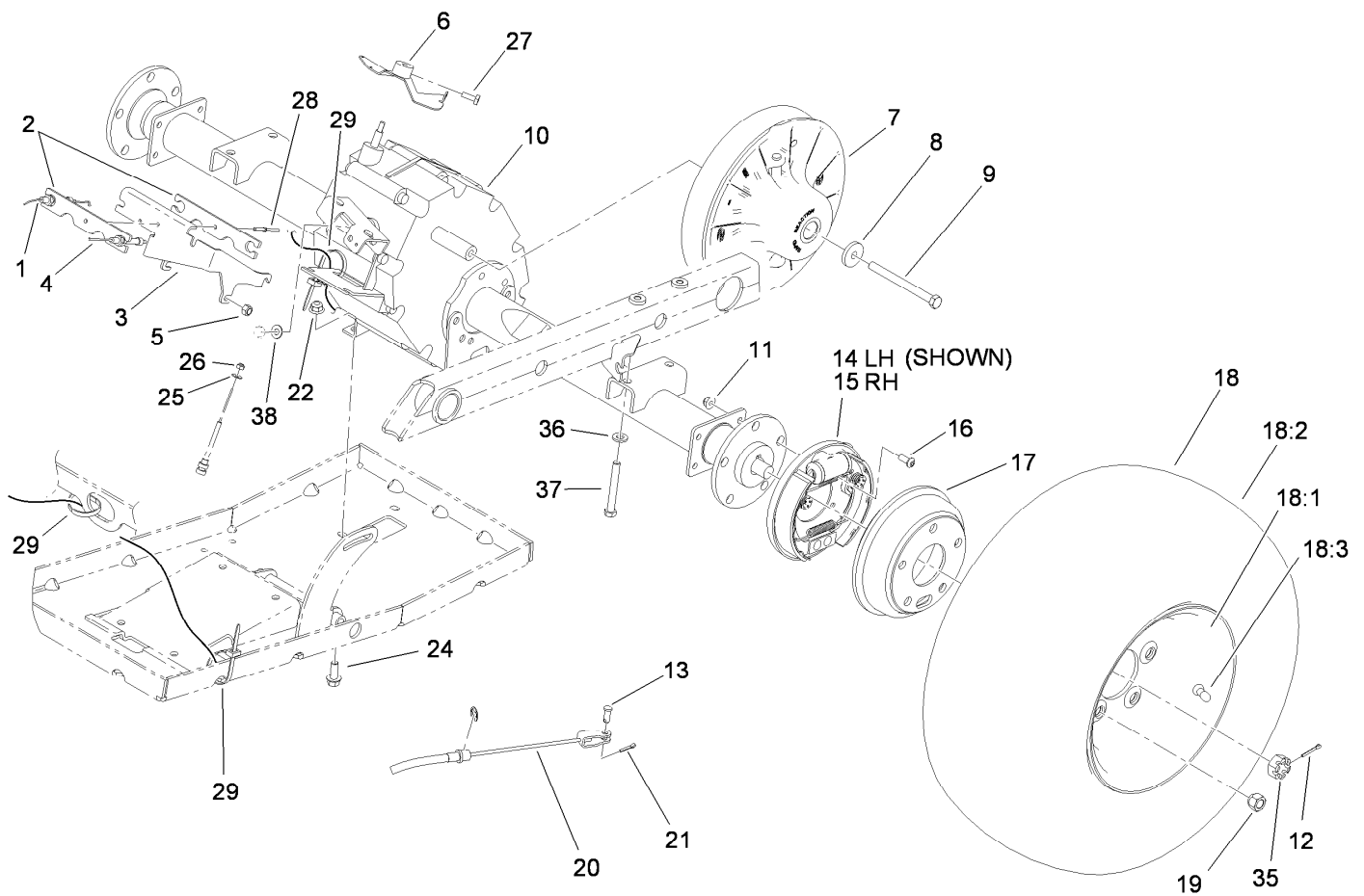
<i>Ref.</i>	<i>Part Number</i>	<i>Qty.</i>	<i>Description</i>	<i>Ref.</i>	<i>Part Number</i>	<i>Qty.</i>	<i>Description</i>
1	112-2923	2	Seat ASM	21	323-10	1	Screw-HH
2	99-7829	2	Bracket-Seat	22	3290-477	1	Washer-Curved
3	33114-016	8	Screw-HH	23	3296-39	1	Nut-Lock, NI
4	104-6847	1	Seat Base ASM	24	104-6842	1	Lever-Brake, Park
5	110-4103	1	Hose-Fuel	24:1	106-7972	1	Grip-Handle
6	2412-98	1	Clamp-Hose	25	87-3480	1	Bracket-Equalizer, Cable
7	99-7264	1	Pipe-Stand	26	94-3829	1	Pin-Clevis
8	46-6560	1	Bushing	27	3256-23	1	Washer-Flat
9	115-7788	1	Cap-Fuel	28	3272-6	1	Pin-Cotter
10	119-0784	1	Fuel Tank ASM	29	104-7014	1	Cover-Brake, Parking
10:2	99-7262	1	Gauge-Fuel	31	12-3270	2	Screw
10:3	95-8972	1	Grommet	32	32120-47	2	Ring-Retaining, External
11	3339-175	1	Strapping-Web, 48 Inch	33	3256-1	2	Washer-Flat
12	3234-17	12	Screw-HHF	34	114-0285	1	Valve-Rollover
13	88-7200	8	Washer-Flat	35	114-0284	1	Grommet
14	112-3337	1	Conduit-Line, Fuel	36	117-1221	1	Canister-Carbon, 800Cc
15	99-7830	2	Rubber Receptical ASM	37	106-5317	1	Hose-Fuel
16	99-7833	2	Post-Holding	38	115-7854	1	Filter-Fuel, Inline
17	32108-5	2	Screw-FH	40	109-0273	1	Hose-Fuel
18	3290-412	2	Rivet	41	110-8751	1	Hose-Fuel
20	104-6844-03	1	Support-Brake, Park				



Front Tire, Spindle and Tie Rod Assembly

Ref.	Part Number	Qty.	Description	Ref.	Part Number	Qty.	Description
1	104-7290	2	Tire And Wheel ASM	21	254-107	2	Cup-Bearing, Tapered
1:1	104-7288	1	Wheel	22	108-7019	2	Seal-Shaft
1:2	104-7289	1	Tire	23	104-6809	2	Hub
1:3	232-27	1	Stem-Valve	24	104-6891	2	Rotor
2	3296-23	2	Nut-Lock, NI	25	3274-55	8	Screw-HSBH
3	256-115	2	Washer-Thrust	26	112-3311	2	Clip-Hose
4	112-3167	1	Spindle-RH	27	112-3150	1	Caliper-LH
5	115-7654	2	Tie Rod	27:1	107-0708	1	Friction Pad And Pin Kit
6	99-7499	2	Sleeve-Kingpin	27:2	112-3152	1	Spring-Rattle, Anti
7	302-5	4	Fitting-Grease	28	112-3151	1	Caliper-RH
8	325-20	2	Screw-HH	28:1	107-0708	1	Friction Pad And Pin Kit
9	112-3166	1	Spindle-LH	28:2	112-3152	1	Spring-Rattle, Anti
10	3272-7	4	Pin-Cotter	29	323-6	4	Screw-HH
11	10-6830	10	Stud-Type, Drive	30	3253-21	4	Washer-Lock
12	242-50	10	Nut-Lug	31	112771-03	2	LH Ball Joint ASM
13	241-119	2	Cap-Dust	31:2		1	Joint-Ball, LH ●
14	3220-7	2	Nut-Jam	31:2:1	915031	1	Nut
15	93-0309	2	Washer-Tab	32	3218-21	2	Nut-Jam
16	93-0307	2	Nut-Lock, Retainer	33	3220-11	2	Nut-Jam
17	3272-12	2	Pin-Cotter	34	112772-03	2	RH Ball Joint ASM
18	254-94	2	Bearing-Cone, Tapered	34:2		1	Joint-Ball, RH ●
19	254-72	2	Bearing-Cup, Tapered	34:2:1	915031	1	Nut
20	254-106	2	Cone-Bearing, Tapered				

● Not serviced separately

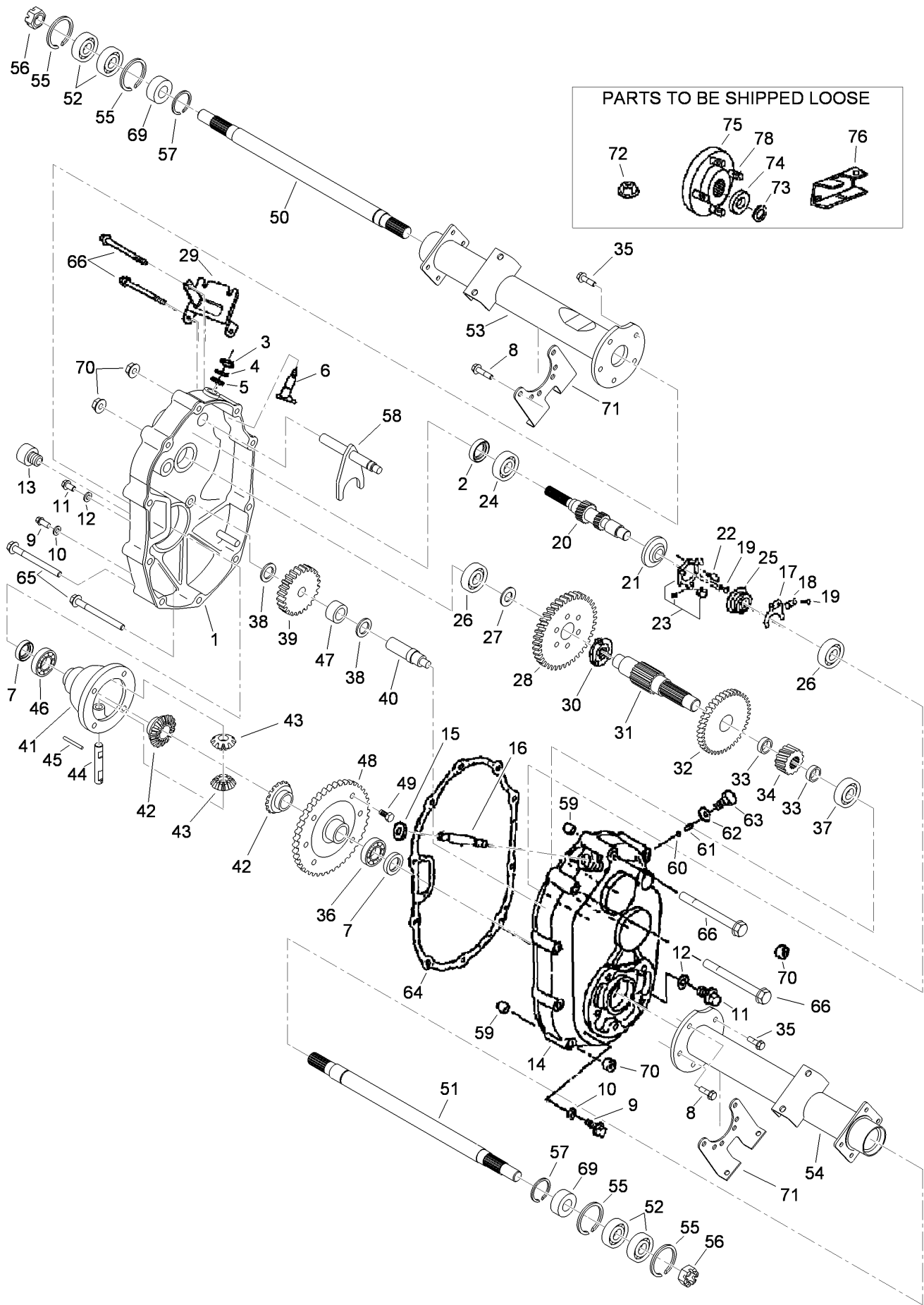


Rear Tire and Transaxle Assembly

Ref.	Part Number	Qty.	Description	Ref.	Part Number	Qty.	Description
1	104-6474	1	Cable-Governor	18:1	104-7288	1	Wheel
2	99-7121	2	Bracket-Tamper	18:2	104-7289	1	Tire
3	99-7054	1	Bracket-Cables	18:3	232-27	1	Stem-Valve
4	115-7613	1	Cable-Accelerator	19	242-50	10	Nut-Lug
5	33024-00	3	Nut-Lock	20	112-3309	2	Cable-Brake
6	104-6569	1	Bracket-Governor	21	3272-10	2	Pin-Cotter
7	119-0803	1	Clutch-Secondary	22	104-8301	4	Nut-Flange, NI
8	104-6563	1	Washer-Stepped	24	3234-11	4	Screw-HHF
9	119-0723	1	Screw-HH, Lock	25	3256-49	2	Washer-Flat
10	115-2300	1	Transaxle	26	3296-2	2	Nut-Lock, NI
11	104-8300	8	Nut-Flange, NI	27	3241-6	2	Screw-SQH
12	3272-12	2	Pin-Cotter	28	99-7122	1	Rivet-Annodized
13	283-62	2	Pin-Clevis	29	3290-378	2	Tie-Cable
14	114-8332	1	LH Brake ASM	35	104-1656	2	Nut-Castle
15	114-8331	1	RH Brake ASM	36	100-4852	4	Washer-Hardened
16	3274-55	8	Screw-HSBH	37	323-14	4	Screw-HH
17	104-6500	2	Drum-Brake	38	87-8640	1	Washer-Flat
18		2	Tire And Wheel ASM ●				

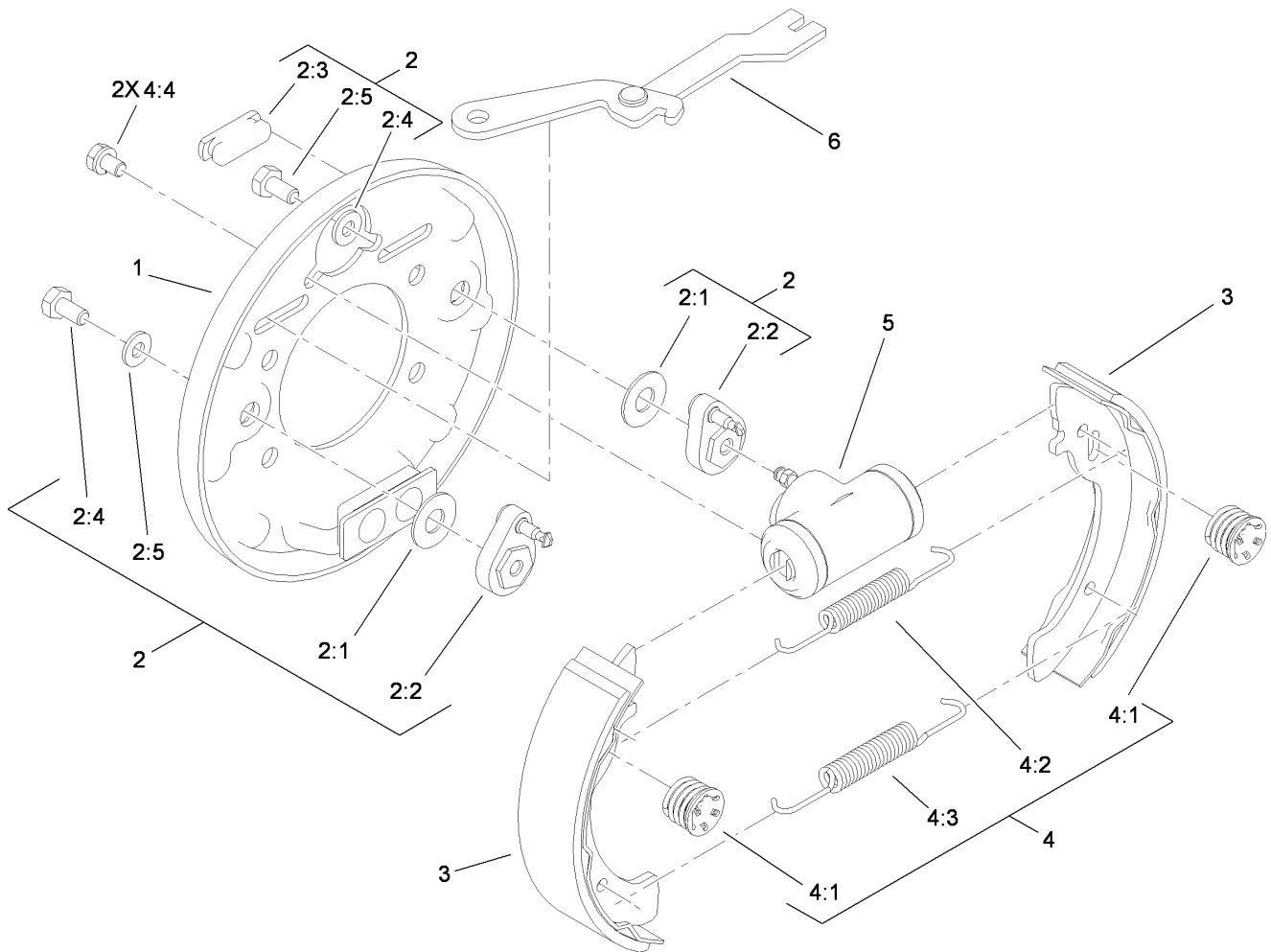
● Not serviced separately

Transaxle Assembly No. 115-2300



Transaxle Assembly No. 115-2300 (continued)

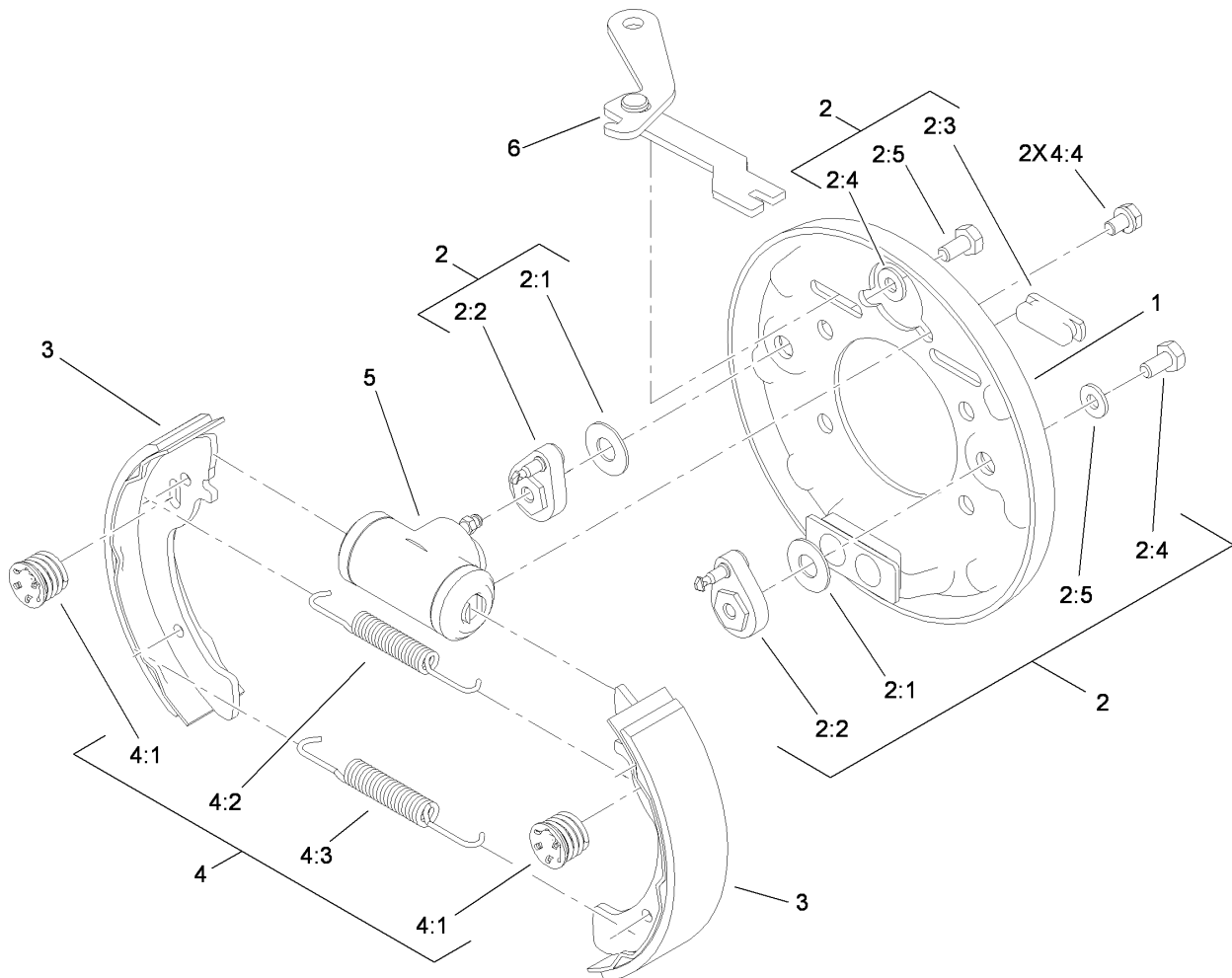
<i>Ref.</i>	<i>Part Number</i>	<i>Qty.</i>	<i>Description</i>	<i>Ref.</i>	<i>Part Number</i>	<i>Qty.</i>	<i>Description</i>
1	104-1601	1	Case-LH, Complete	39	104-1639	1	Gear
2	104-1602	1	Seal-Oil	40	104-1640	1	Shaft-Counter
3	104-1603	1	Seal-Oil	41	104-1641	1	Case-Differential
4	104-1604	1	Ring-Snap	42	104-1642	2	Gear-Side, Differential
5	104-1605	1	Spacer	43	104-1643	2	Pinion-Differential
6	104-1606	1	Shaft-Selector	44	104-1644	1	Shaft-Differential
7	104-1607	2	Seal-Oil	45	104-1645	1	Pin
8	104-1608	4	Bolt-Flange	46	104-1646	1	Bearing-Ball
9	104-1609	2	Plug-Check, Oil	47	104-1647	1	Bearing-Needle
10	104-1610	2	Gasket	48	104-1648	1	Gear
11	104-1611	2	Plug-Drain, Oil	49	104-1649	6	Bolt
12	104-1612	2	Gasket	50	104-1650	1	Shaft-Axle, LH
13	104-1613	1	Plug-Filler, Oil	51	104-1651	1	Shaft-Axle, RH
14	104-1614	1	Case-Complete, RH	52	104-1652	4	Bearing-Ball
15	104-1615	1	Seal-Oil	53	104-1653	1	Case-Axle, LH
16	104-1616	1	Shaft-Governor	54	104-1654	1	Case-Axle, RH
17	104-1617	1	Fork-Governor	55	104-1655	4	Ring-Snap
18	104-1618	1	Stopper	56	104-1656	2	Nut-Castle
19	104-1619	4	Screw And Washer ASM	57	104-1657	2	Ring-Snap
20	104-7002	1	Shaft-Input, Complete	58	104-6870	1	Shaft-Shift, Complete
21	104-1621	1	Base-Governor	59	104-1659	2	Knock-Pipe
22	104-1622	1	Pin-Lock	60	104-1660	1	Ball-Steel
23	104-1623	1	Unit-Plate, Governor	61	104-1661	1	Spring
24	104-1624	1	Bearing-Ball	62	104-1662	1	Gasket
25	104-1625	1	Sleeve-Governor	63	104-1663	1	Bolt
26	104-1626	2	Bearing-Ball	64	104-1664	1	Gasket
27	104-1627	1	Spacer	65	104-1665	6	Bolt-Flange
28	104-1628	1	Gear	66	104-1666	4	Bolt-Flange
29	115-7672	1	Bracket-Wire, Change	69	104-6867	2	Collar
30	104-1630	1	Clutch-Pin	70	33004-00	11	Nut-HF
31	104-1631	1	Shaft-Center	71	104-1671	2	Bracket-Axle
32	104-1632	1	Gear	72	104-1672	1	Nut-Lock
33	104-1633	2	Collar	73	104-1673	2	Washer-Spring
34	104-1634	1	Gear	74	104-1674	2	Washer
35	104-1635	6	Bolt-Flange	75	104-1675	2	Hub
36	104-1636	1	Bearing-Ball	76	112-3287	1	Lever-Select
37	104-1637	1	Bearing-Ball	78	104-8649	10	Stud
38	104-1638	2	Spacer				



LH Rear Brake Assembly No. 114-8332

Ref.	Part Number	Qty.	Description
1	100-8586	1	Backing Plate ASM
2	104-6820	1	Adjuster Kit
2:1	100-8585	2	Washer-Bellville
2:2	100-8588	2	Adjuster Lever ASM
2:3	100-8584	2	Cover-Dust
2:4		2	Washer ●
2:5		2	Bolt ●
3	104-6818	4	Shoe And Lining Kit
4	104-6819	1	Hardware Kit
4:1	100-8583	2	Shoe Hold Down Spring ASM
4:2	100-8581	2	Spring-Upper
4:3	100-8582	2	Spring-Lower
4:4		2	Bolt And Washer ●
5	114-8333	1	Wheel Cylinder ASM
6	104-6825	1	LH Park Brake Lever ASM

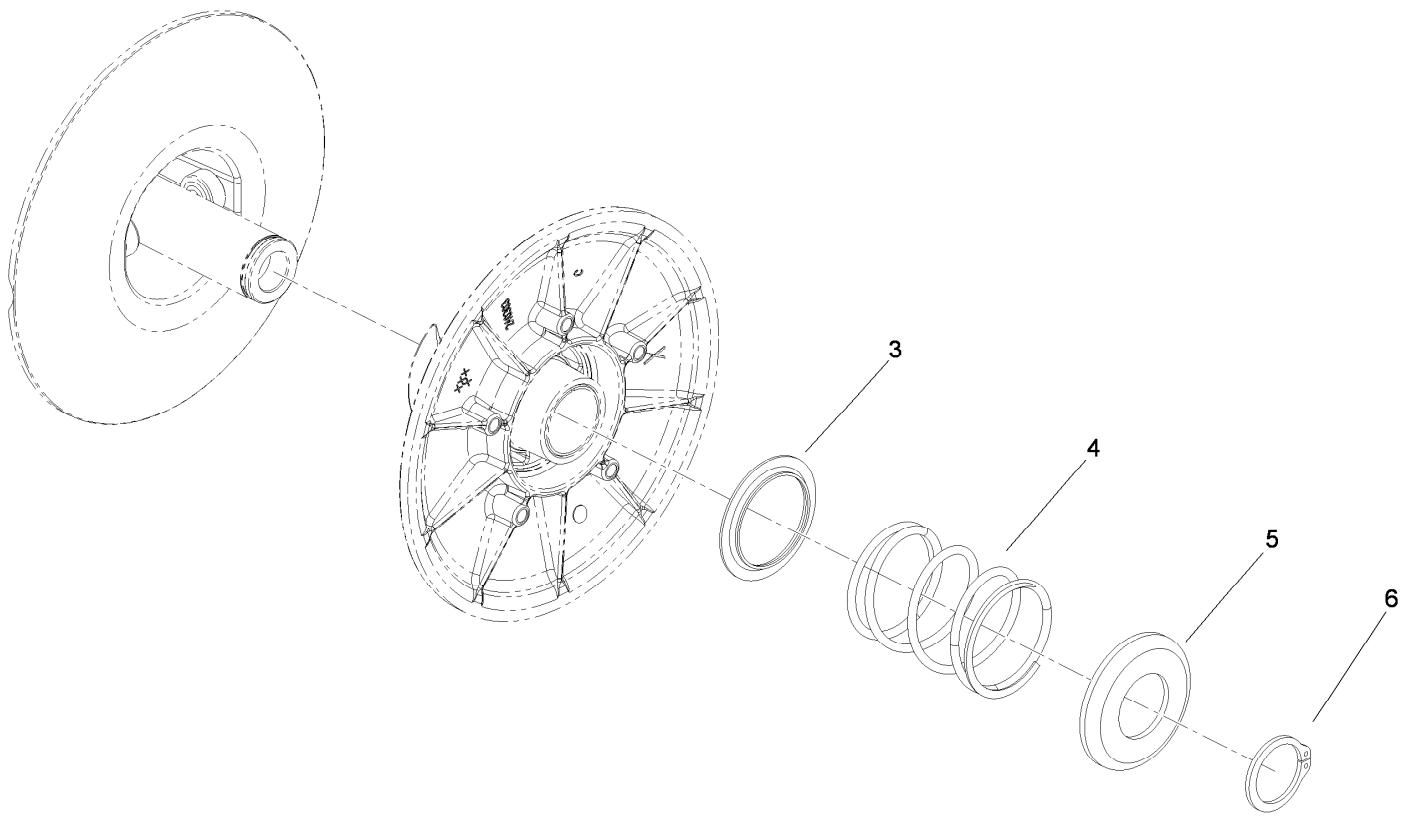
● Not serviced separately



RH Rear Brake Assembly No. 114-8331

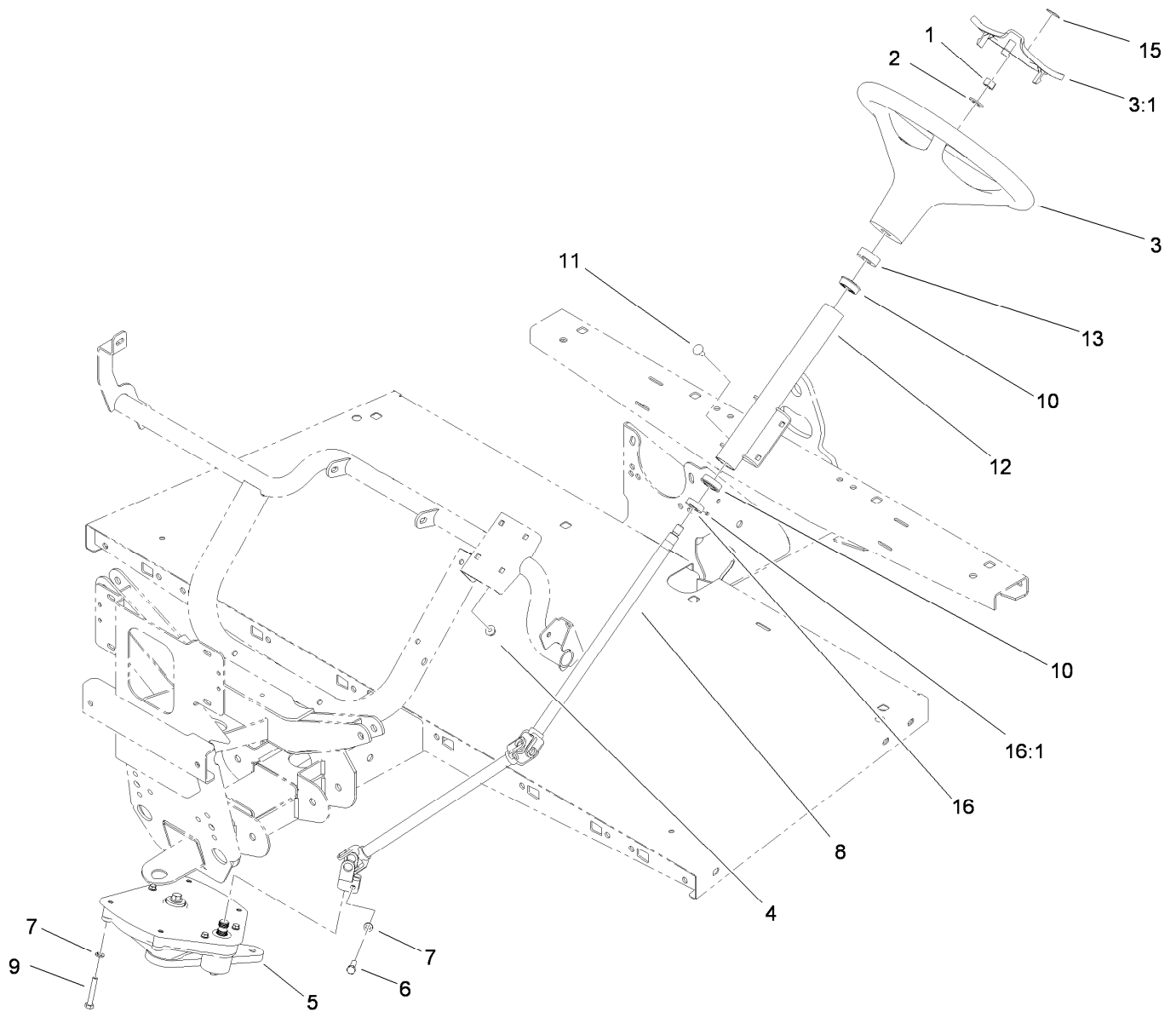
Ref.	Part Number	Qty.	Description
1	100-8586	1	Backing Plate ASM
2	104-6820	1	Adjuster Kit
2:1	100-8585	2	Washer-Bellville
2:2	100-8588	2	Adjuster Lever ASM
2:3	100-8584	2	Cover-Dust
2:4		2	Washer ●
2:5		2	Bolt ●
3	104-6818	4	Shoe And Lining Kit
4	104-6819	1	Hardware Kit
4:1	100-8583	2	Shoe Hold Down Spring ASM
4:2	100-8581	2	Spring-Upper
4:3	100-8582	2	Spring-Lower
4:4		2	Bolt And Washer ●
5	114-8333	1	Wheel Cylinder ASM
6	104-6826	1	RH Park Brake Lever ASM

● Not serviced separately



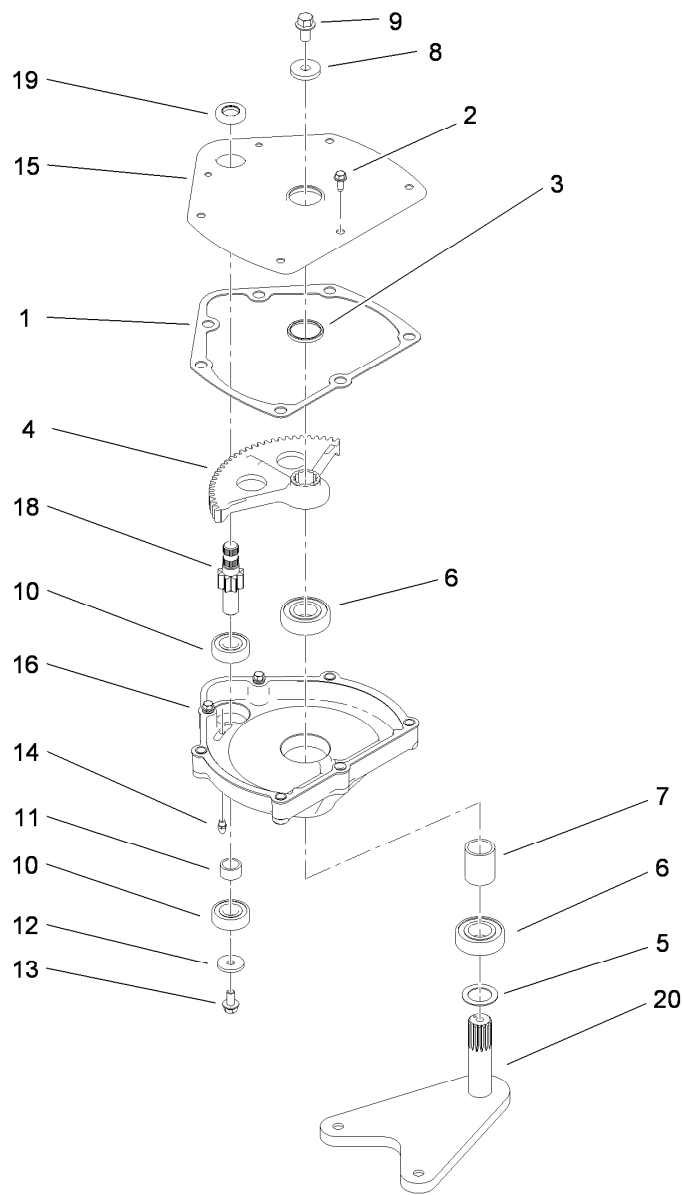
Secondary Clutch Assembly No. 119-0803

<i>Ref.</i>	<i>Part Number</i>	<i>Qty.</i>	<i>Description</i>
3	119-0809	1	Cup-Spring Retainer, Inner
4	119-0808	1	Spring-Secondary (Black/Blue)
5	119-0810	1	Cup-Spring Retainer, Outer
6	119-0811	1	Ring-Retaining



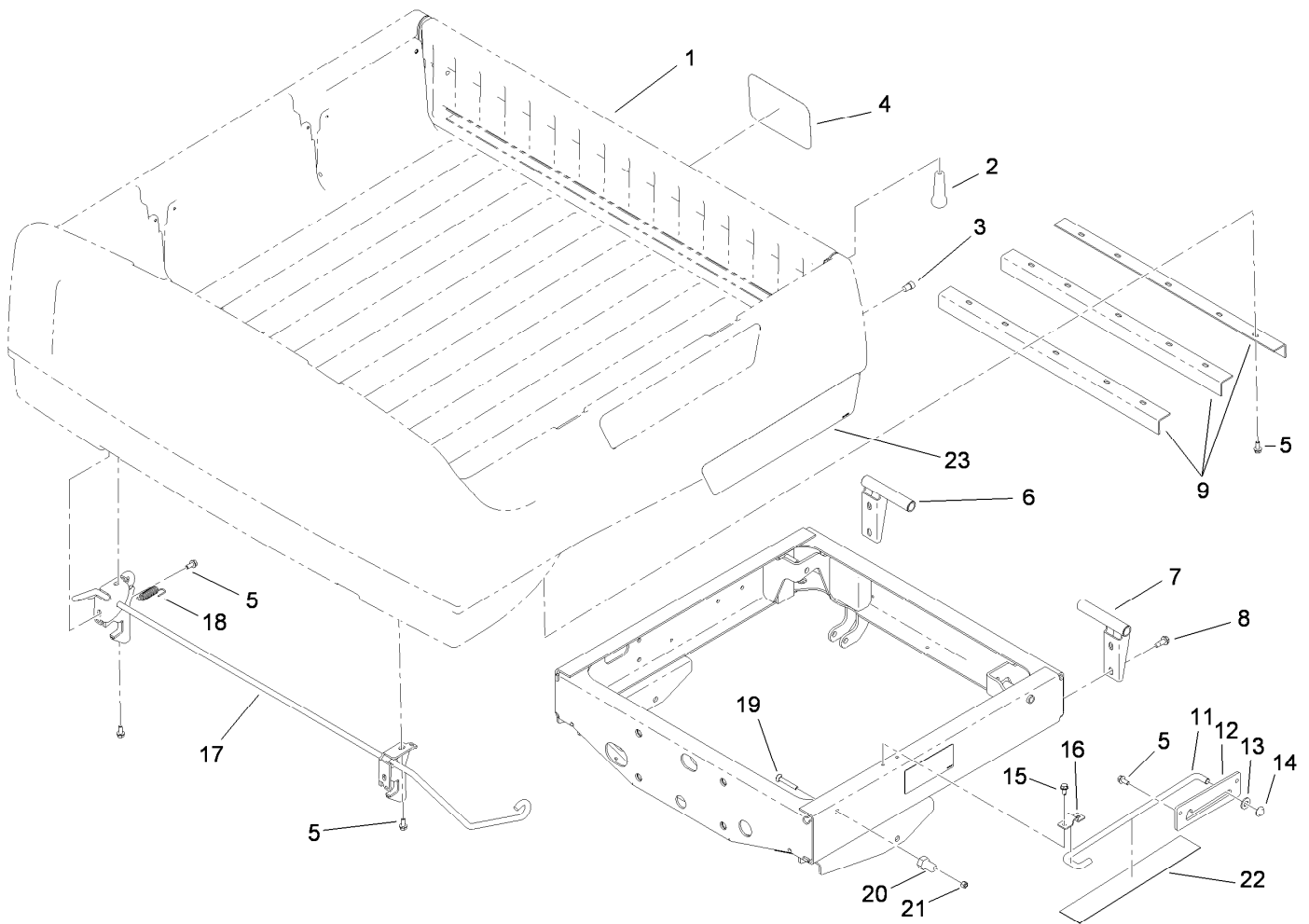
Upper Steering Assembly

<i>Ref.</i>	<i>Part Number</i>	<i>Qty.</i>	<i>Description</i>	<i>Ref.</i>	<i>Part Number</i>	<i>Qty.</i>	<i>Description</i>
1	110-8815	1	Nut-Hex	9	112-3305	4	Screw-HH
2	3256-26	1	Washer-Flat	10	112-3262	2	Bearing
3	98-1471	1	Wheel-Steering	11	3230-1	4	Bolt-CARR
3:1	98-1468	1	Cover-Wheel, Steering	12	112-3264-03	1	Column ASM
4	104-8300	4	Nut-Flange, NI	13	21-9260	1	Cover-Dust
5	112-3130	1	Steering Box ASM	15	98-1459	1	Decal
6	48-7730	1	Screw-Cap, HH	16	111383	1	Collar
7	3253-4	5	Washer-Lock	16:1	3245-32	1	Screw-HSH
8	112-3355	1	Steering Shaft ASM				



Steering Box Assembly No. 112-3130

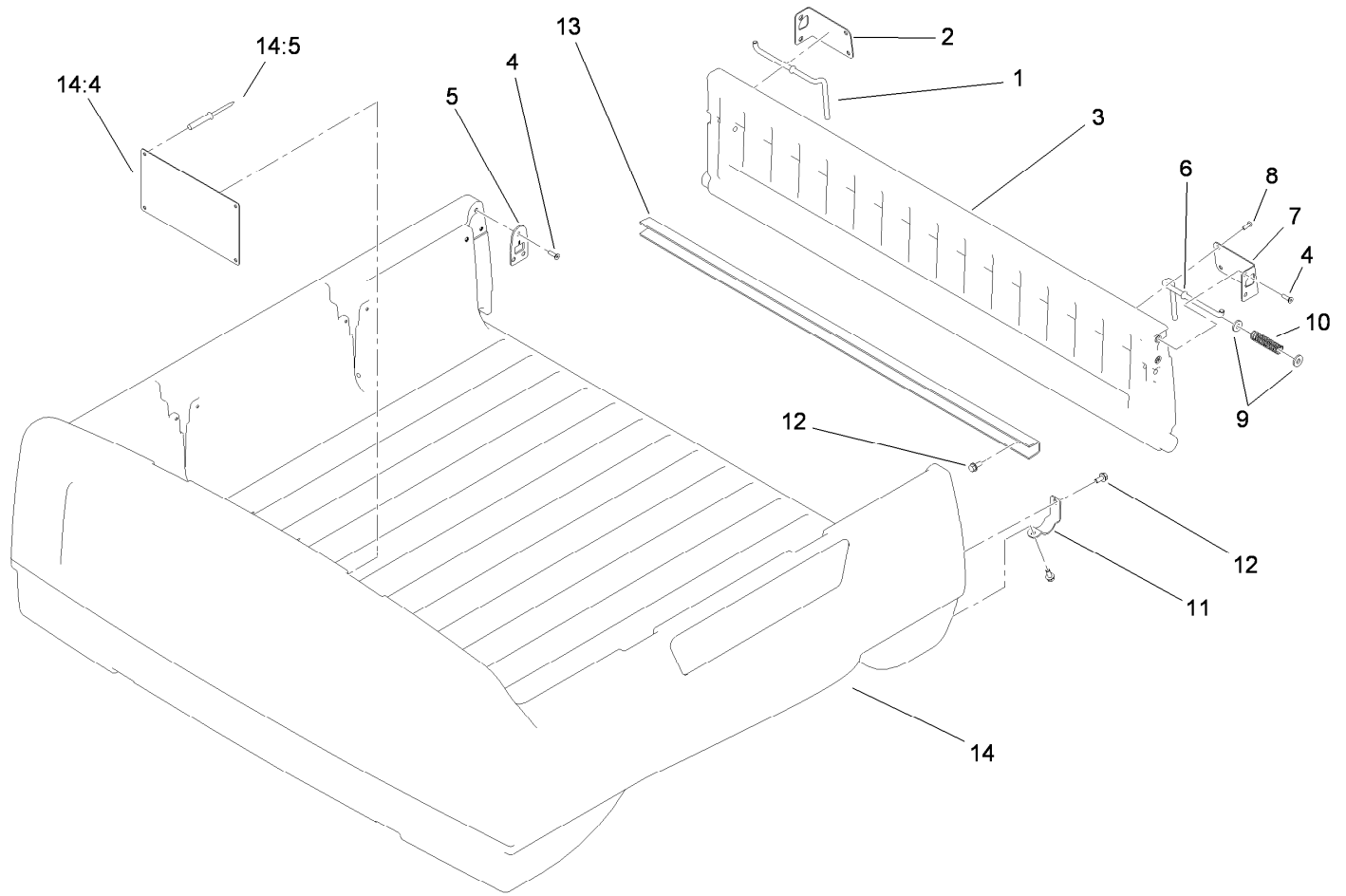
<i>Ref.</i>	<i>Part Number</i>	<i>Qty.</i>	<i>Description</i>	<i>Ref.</i>	<i>Part Number</i>	<i>Qty.</i>	<i>Description</i>
1	94-2135	1	Gasket	11	94-2217	1	Spacer-Shaft, Input
2	32144-10	3	Screw-HWH	12	1-613235	1	Washer
3	103118	1	Seal	13	98-3498	1	Screw-HH
4	99-7843	1	Sector-Gear	14	302-5	1	Fitting-Grease
5	3256-42	1	Washer-Flat	15	112-2918-03	1	Cover-Housing, Steering
6	251-82	2	Bearing-Ball	16	114-8309	1	Housing-Steering
7	112-2917	1	Spacer	18	115-7726	1	Gear-Pinion
8	104-6563	1	Washer-Stepped	19	99-7657	1	Seal-Oil
9	104-7156	1	Screw-HHF	20	112-3096-03	1	Pitman Arm ASM
10	38-7820	2	Bearing-Ball				



Box and Tailgate Installation Assembly

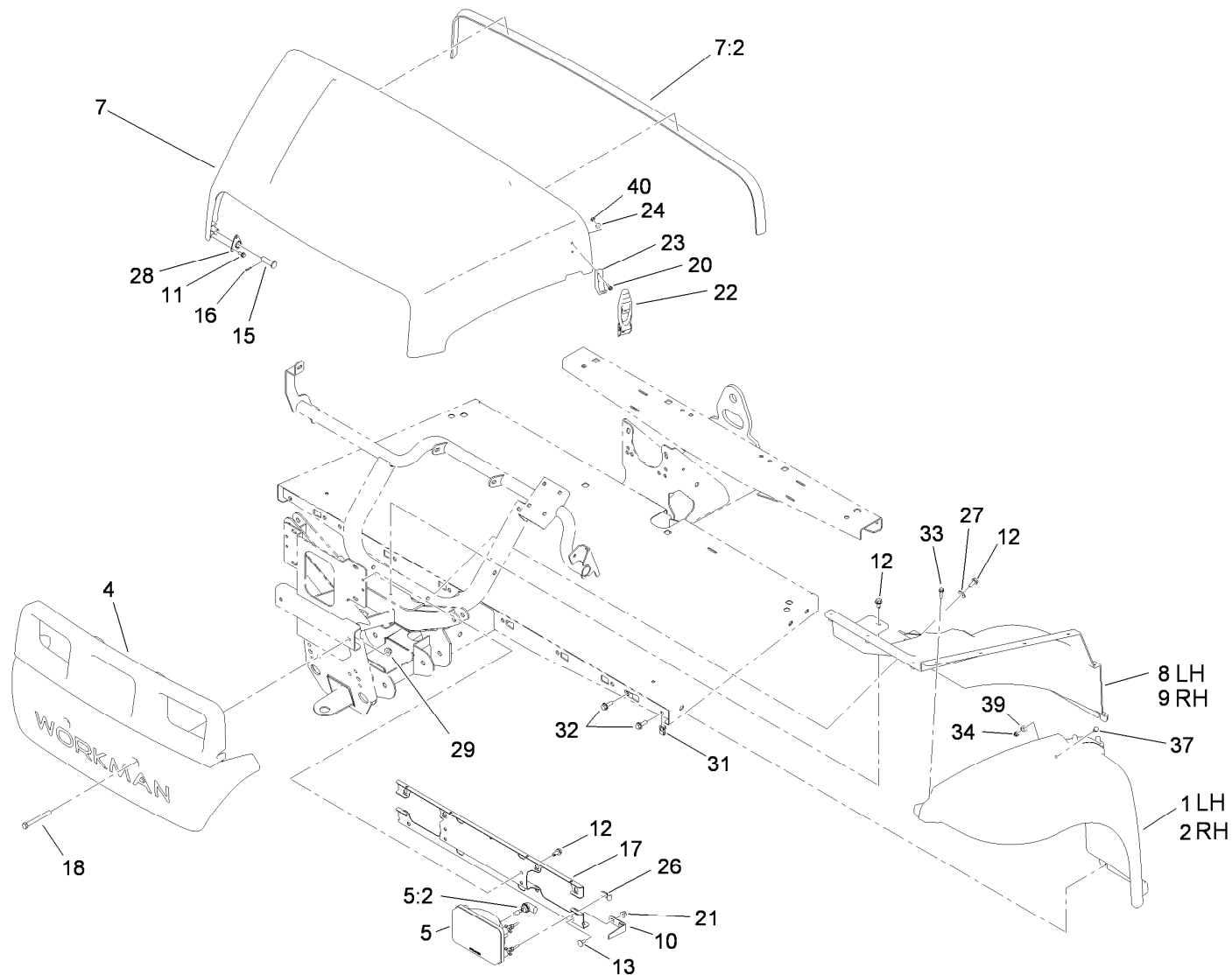
Ref.	Part Number	Qty.	Description	Ref.	Part Number	Qty.	Description
1		1	Box And Tailgate ASM ●	13	3256-26	1	Washer-Flat
2	99-7984	2	Knob-Soft Grip, Push-On	14	32112-14	1	Nut-Push
3	115-7986	2	Bumper-Rubber	15	32104-32	2	Screw-HWH
4	104-7213	1	Decal	16	99-7896	1	Bracket-U, Prop Rod
5	3234-5	19	Screw-HHF	17	115-2385	1	Rod-Latch
6	99-7309-03	1	RH Pivot Bracket ASM	18	5-7290	2	Spring-Tension
7	99-7308-03	1	LH Pivot Bracket ASM	19	3230-7	2	Bolt-CARR
8	105-6245	4	Screw-Tapping	20	104-7248	2	Pin-Latch
9	99-7864-03	3	Brace-Box	21	3296-29	2	Nut-Lock, NI
11	99-7895	1	Rod-Prop	22	104-6859	1	Shield-Heat
12	99-7894	1	Bracket-Rod, Prop	23	115-2413	2	Decal

● Not serviced separately



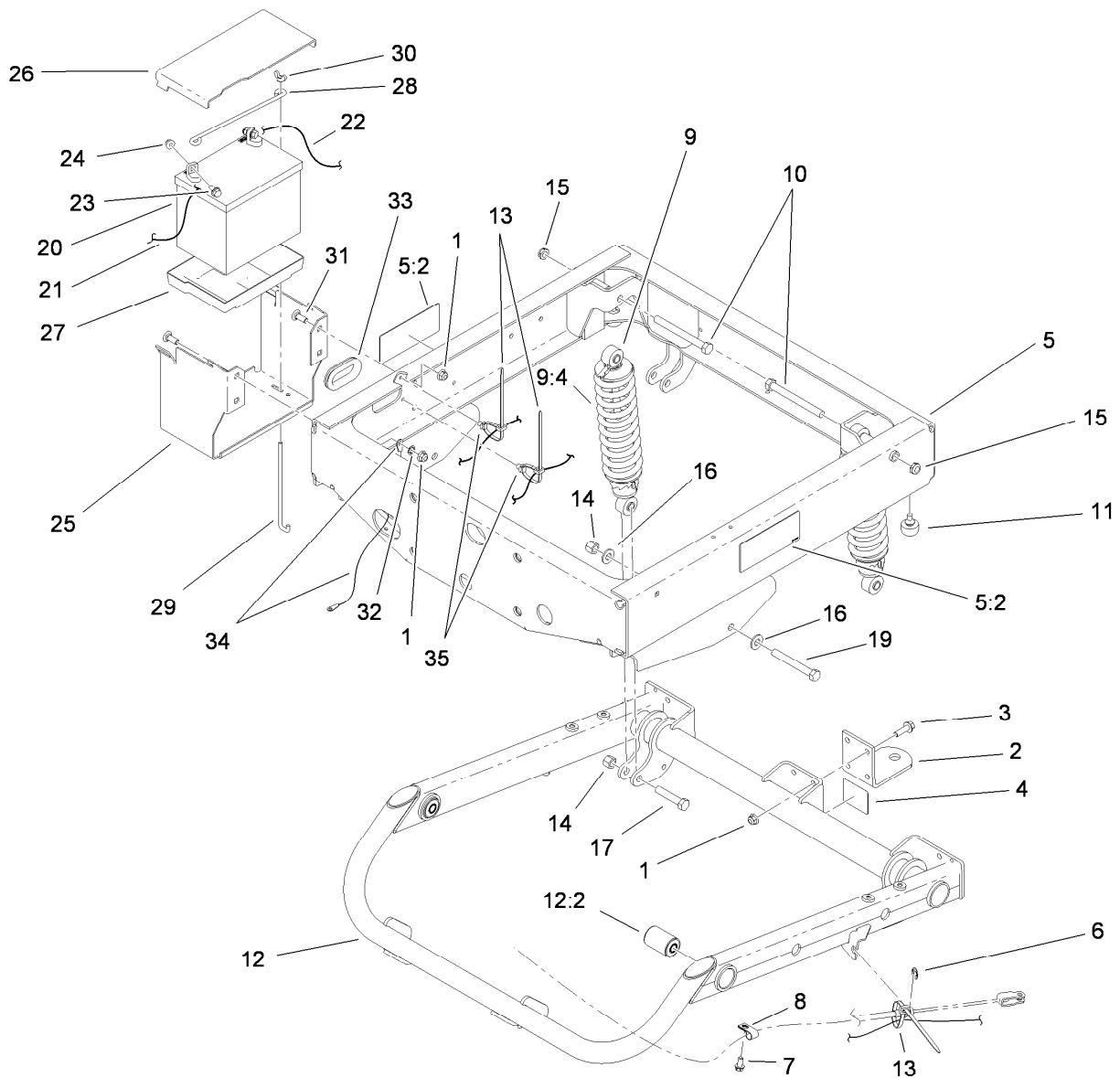
Box and Tailgate Assembly

<i>Ref.</i>	<i>Part Number</i>	<i>Qty.</i>	<i>Description</i>	<i>Ref.</i>	<i>Part Number</i>	<i>Qty.</i>	<i>Description</i>
1	99-7860	1	Rod-Latch, Right	9	99-7861	4	Washer-Latch
2	99-7858	1	Bracket-Tailgate Latch, Right	10	61-8880	2	Spring
3	115-7640	1	Tailgate ASM	11	99-7286	2	Bracket-Pivot, Tailgate
4	99-7334	10	Screw	12	3234-5	10	Screw-HHF
5	114-2749	2	Plate-Striker	13	99-7867	1	Channel-Tailgate
6	99-7859	1	Rod-Latch, Left	14	115-7638	1	Box ASM
7	99-7857	1	Bracket-Tailgate Latch, Left	14:4	99-7954	1	Decal-No Riders
8	99-7335	4	Screw	14:5	3290-415	4	Rivet



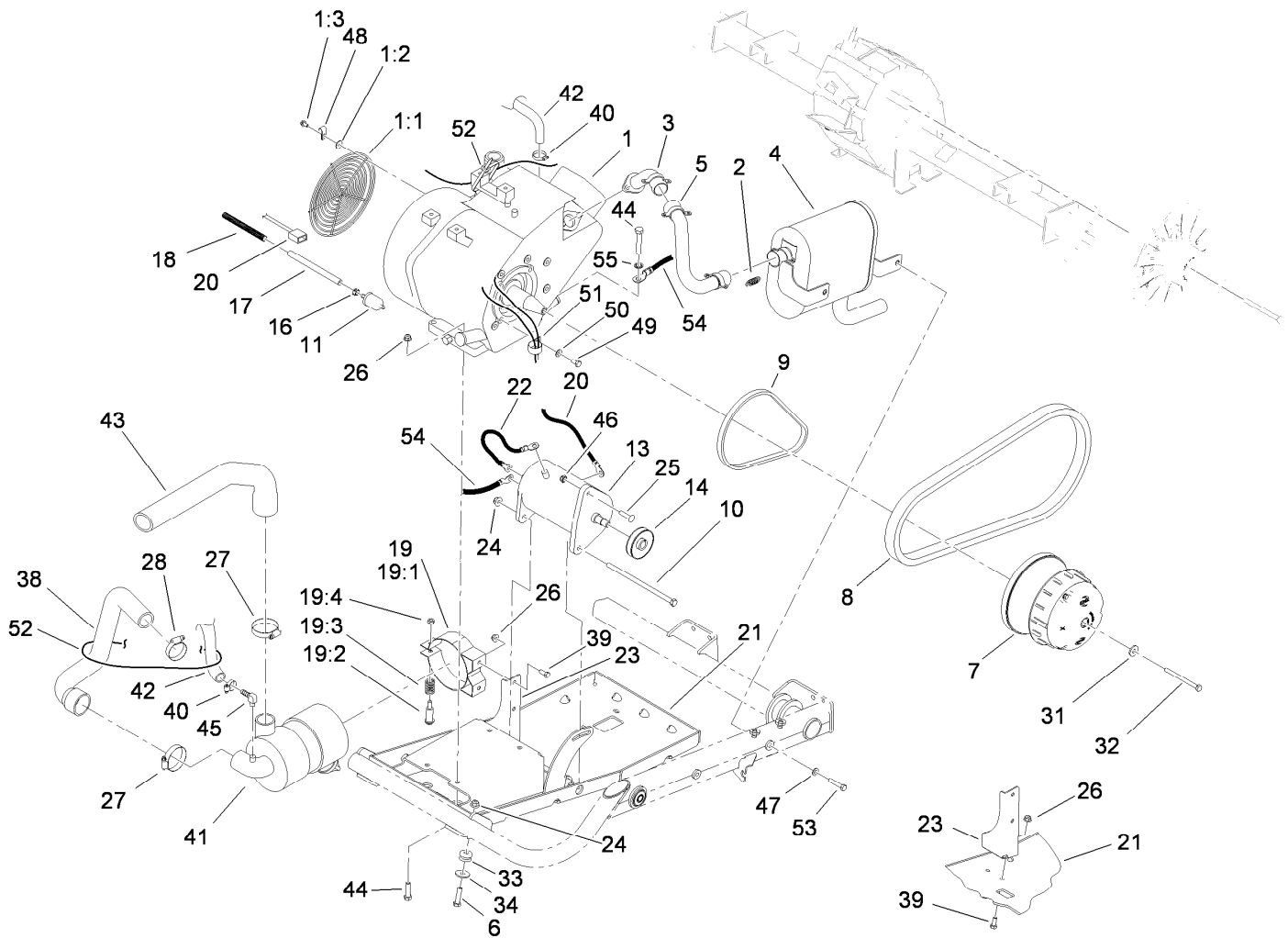
Hood and Fender Assembly

Ref.	Part Number	Qty.	Description	Ref.	Part Number	Qty.	Description
1	112-3371	1	Fender-LH	20	32105-13	4	Screw-HWH
2	112-3370	1	Fender-RH	21	32128-20	2	Nut-HF
4	112-3365	1	Bumper	22	115-2416	2	Latch-Rubber
5	114-8322	2	Headlight	23	103-2897	2	Latch-Catch
5:2	115-2395	1	Light Bulb ASM	24	3256-14	4	Washer-Flat
7	115-7636	1	Hood ASM	26	115-2408	6	Clip-Speed
7:2	115-7635	1	Seal-Foam	27	3256-71	2	Washer-Flat
8	112-3369	1	Well-Fender, LH	28	112-3308	2	Retainer-Pin
9	112-3368	1	Well-Fender, RH	29	104-8301	2	Nut-Flange, NI
10	112-3373	2	Keeper-Pivot, Hood	31	112-3306	10	Nut
11	46-8093	6	Screw-Plastite	32	3234-29	10	Screw-HHF
12	32104-32	8	Screw-HWH	33	46-8091	20	Screw-HWH
13	3230-18	2	Screw-CARR	34	3296-42	2	Nut-Lock, NI
15	117-5094	2	Pin-Clevis	37	321-39	2	Screw-HH
16	32121-50	2	Pin-Spring	39	3256-22	2	Washer-Flat
17	112-2915-03	1	Bracket-Light, Head	40	3296-2	4	Nut-Lock, NI
18	115-7660	2	Screw-HHF				



Frame Assembly

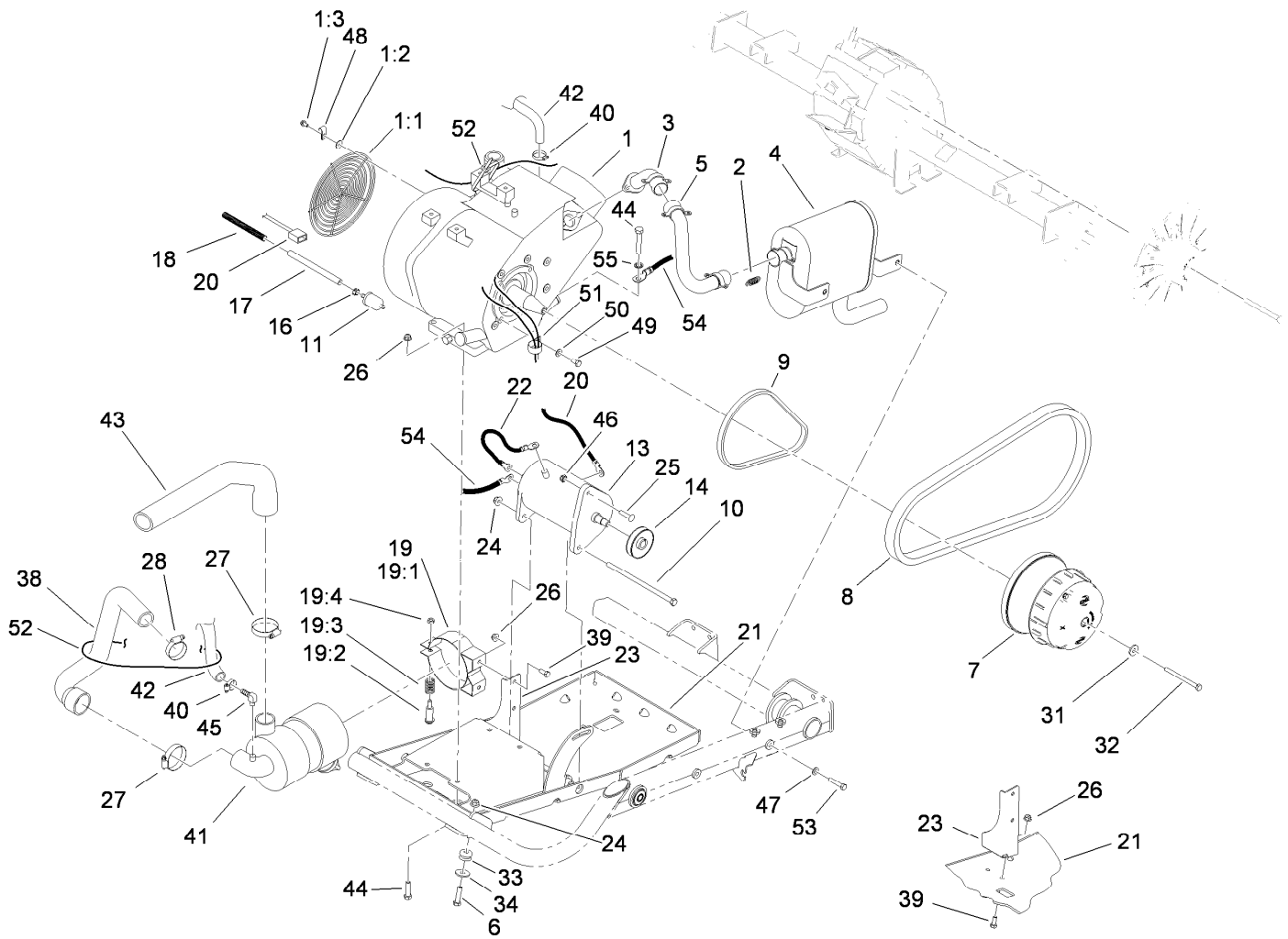
Ref.	Part Number	Qty.	Description	Ref.	Part Number	Qty.	Description
1	104-8301	8	Nut-Flange, NI	16	87-7270	4	Washer-Thrust
2	99-7654-03	1	Hitch-Duty, Light	17	325-10	2	Screw-HH
3	3234-24	4	Screw-HHF	19	325-17	2	Screw-HH
4	99-7350	1	Decal-Rating, Hitch (Light Duty)	20	104-8162	1	Battery
5	114-8307	1	Rear Frame Service ASM	21	115-8107	1	Cable-Battery, Negative
5:2	99-7345	2	Decal-Warning	22	114-9404	1	Cable-Battery, Positive
6	32120-47	2	Ring-Retaining, External	23	3234-5	2	Screw-HHF
7	32144-4	2	Screw-HWH	24	104-8300	2	Nut-Flange, NI
8	2412-89	2	Clamp-R	25	115-2302-03	1	Base-Battery
9	112-3168	2	Rear Shock/Spring ASM	26	115-2394	1	Cover-Battery
9:4	112-3386	1	Spring	27	106948	1	Tray-Battery
10	325-19	2	Screw-HH	28	100-6434	1	Rod-Hold Down, Battery
11	87-2440	2	Bumper-Rubber	29	100-6435	2	Post-Battery
12	115-7614	1	Swing Arm ASM	30	32103-22	2	Nut-Wing
12:2	112-3377	2	Bushing-Arm, Control	31	3231-22	4	Screw-CARR
13	3290-378	4	Tie-Cable	32	3254-6	1	Washer-Lock, Internal
14	3296-23	4	Nut-Lock, NI	33	240-12	1	Grommet
15	3296-45	2	Nut-Lock, NI	34	115-8108	1	Cable-Battery, Negative
				35	32180-030	2	Clip-Harness W/Cable Tie



Engine and Clutch Assembly

Ref.	Part Number	Qty.	Description	Ref.	Part Number	Qty.	Description
1	119-0657	1	Engine-Kohler, Cs12 Pa-941621	17	107-0588	1	Hose-Fuel
1:1	104-6538	1	Guard-Flywheel	18	99-7377	1	Conduit-Line, Fuel
1:2	104-6547	4	Washer-Flat	19	93-2191	1	Band-Mounting, Air Cleaner
1:3	104-6548	4	Screw-Flange	19:1		1	Clamp ASM ●
2	104-6478	4	Spring-Coupler, Exhaust	19:2	94-3653	1	Bolt
3	104-6511	1	Manifold	19:3	94-3654	1	Spring
4	119-0746	1	Muffler	19:4	48-9510	1	Nut
5	119-0716	1	Pipe-Exhaust, Kohler	20	115-8125	1	Harness-Wire, Engine
6	323-8	2	Screw-HH	21	119-0707-03	1	Engine Tray ASM
7	119-0802	1	Clutch-Primary	22	99-7403	1	Cable-Negative
8	119-0710	1	Belt-Variable	23	112-3246-03	1	Bracket-Cleaner, Air
9	112-3131	1	Belt-Starter	24	104-8301	7	Nut-Flange, NI
10	323-30	1	Screw-HH	25	112-6950	1	Screw-CARR
11	94-2690	1	Filter-Fuel	26	104-8300	4	Nut-Flange, NI
13	99-7108	1	Starter Generator ASM	27	2412-130	2	Clamp-Hose
14	99-7130	1	Pulley-Starter	28	2412-3	1	Clamp-Hose
16	2412-98	3	Clamp-Hose	31	119-0724	1	Washer-Flange
				32	119-0721	1	Screw-HH

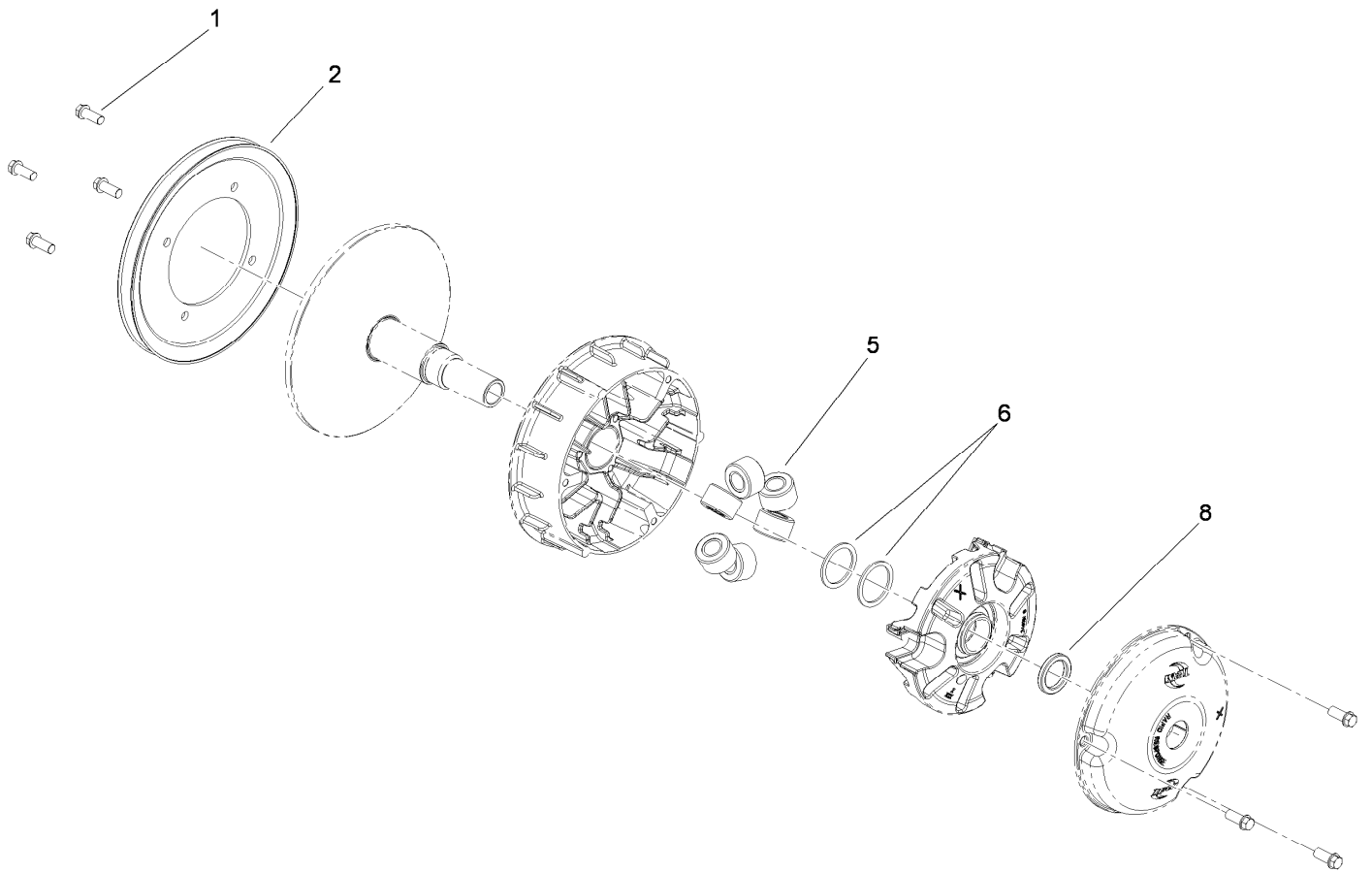
● Not serviced separately



Engine and Clutch Assembly (continued)

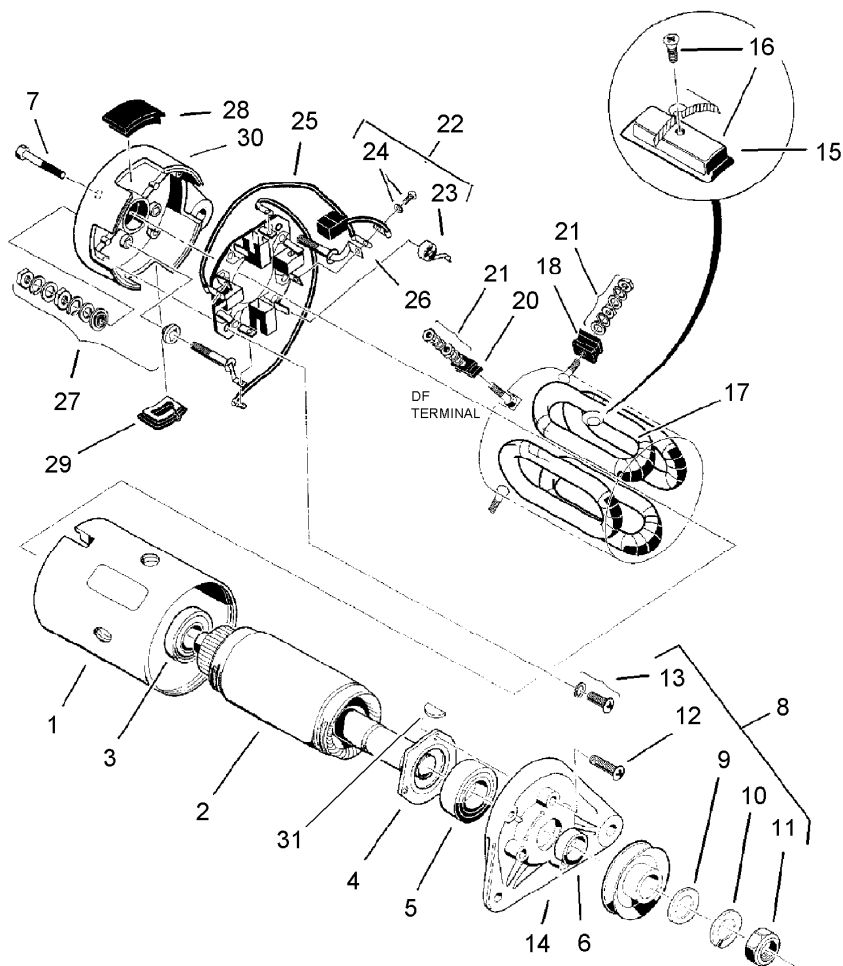
<i>Ref.</i>	<i>Part Number</i>	<i>Qty.</i>	<i>Description</i>	<i>Ref.</i>	<i>Part Number</i>	<i>Qty.</i>	<i>Description</i>
33	63-9750	2	Mount	46	3296-69	1	Nut-Lock NI
34	2844	2	Washer	47	3253-4	2	Washer-Lock
38	115-7983	1	Hose, Intake	48	2412-89	1	Clamp-R
39	322-3	4	Screw-HH	49	3210-2	1	Screw-HH
40	2412-36	4	Clamp-Hose	50	3256-23	1	Washer-Flat
41	99-7120	1	Air Cleaner ASM	51	2412-104	1	Clamp-R
42	74-9120	2	Hose-Overflow, Radiator	52	3290-378	2	Tie-Cable
43	115-7625	1	Hose-Intake	53	322-11	2	Screw-HH
44	323-9	4	Screw-HH	54	100335	1	Wire-Ground
45	99-7230	1	Fitting-90 DEG	55	3254-6	1	Washer-Lock, Internal

● Not serviced separately



Primary Clutch Assembly No. 119-0802

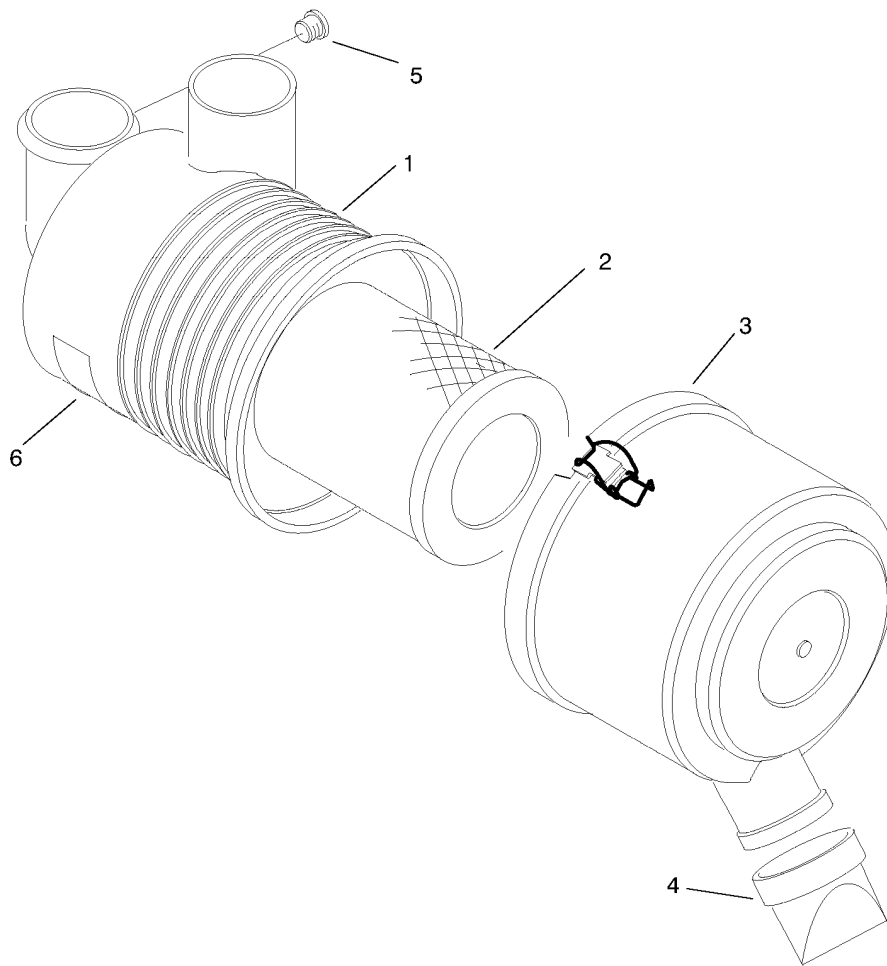
<i>Ref.</i>	<i>Part Number</i>	<i>Qty.</i>	<i>Description</i>
1	49-2040	7	Screw-HWHTF
2	119-0813	1	Pulley-Primary
5	119-0805	6	Weight-Roller (38.3Gm)
6	119-0812	1	Shim-Spider
8	119-0807	1	Shim-Limiter (.175)



Starter Generator Assembly No. 99-7108

Ref.	Part Number	Qty.	Description	Ref.	Part Number	Qty.	Description
1		1	Yoke ●	16	104-1221	1	Set-Pole And Screw
2	104-1210	1	Armature Kit	17	104-1222	1	Field Stator Coil ASM
3	104-1211	1	Bearing-Ball, Rear	18		2	F Mold ●
4	104-1212	1	Retainer	20		1	Df Mold ●
5	104-1213	1	Bearing-Ball, Front	21	104-1224	1	Nut And Washer Set
6	104-1214	1	Spacer	22	104-1225	1	Brush Holder Kit
7	104-1215	2	Bolt	23	104-1226	4	Spring-Brush
8		1	Nut And Screw Set ●	24	104-1227	1	Brush And Screw Set
9	104-1216	1	Washer-Plain	25		2	Brush Connector ASM ●
10	104-1217	1	Washer-Spring	26		2	A Terminal ASM ●
11	104-1218	1	Nut-Hex	27	104-1228	2	Screw And Mold ASM
12		3	Screw-Flange ●	28		1	Cover Set ●
13	104-1219	2	Set-Screw	29		1	Cover B ●
14	104-1220	1	Bracket-Front	30		1	Bracket-Rear ●
15		4	Pole ●	31	3257-3	1	Key-Woodruff

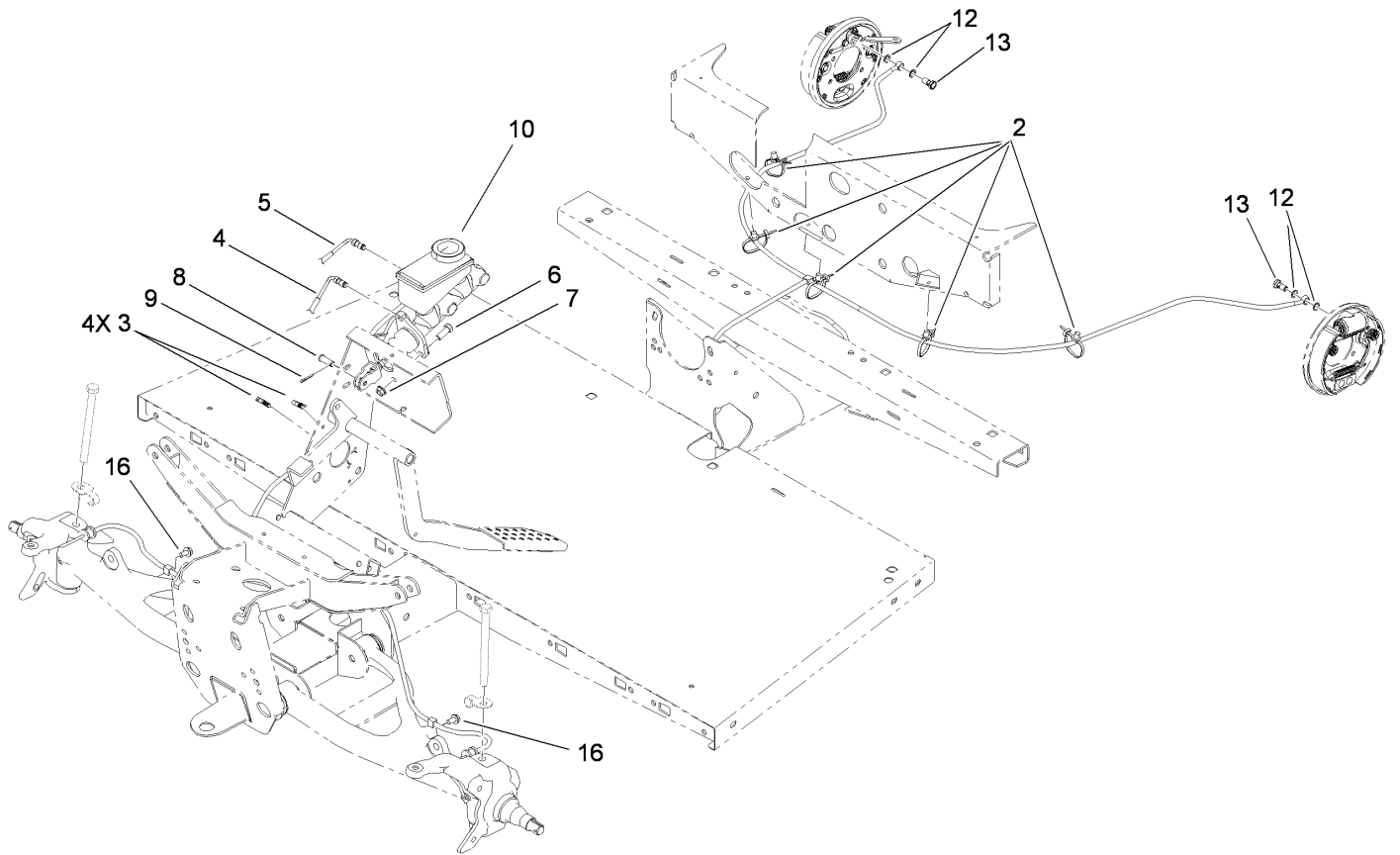
● Not serviced separately



Air Cleaner Assembly No. 99-7120

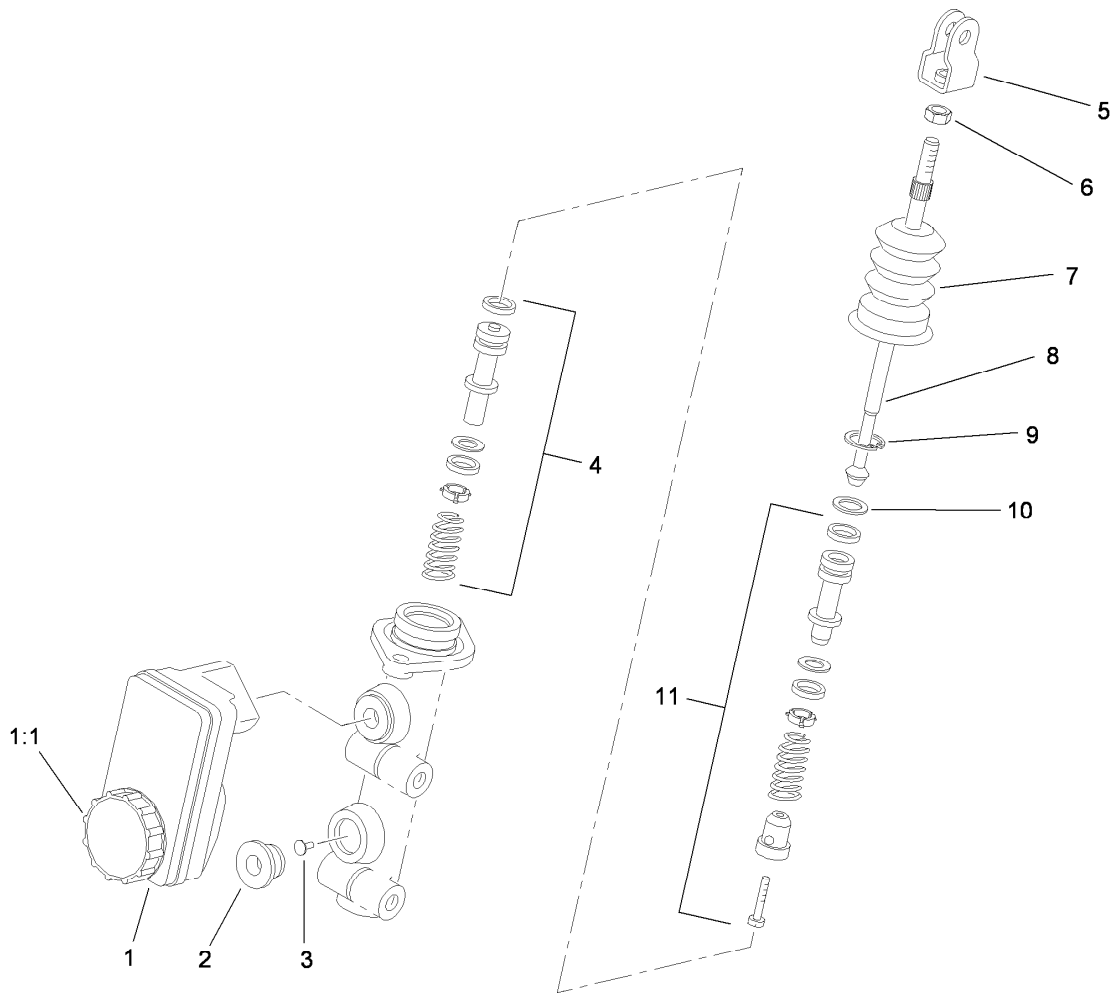
<i>Ref.</i>	<i>Part Number</i>	<i>Qty.</i>	<i>Description</i>
1		1	Body ●
2	108-3811	1	Filter-Air
3	94-3652	1	Cover ASM
4	87-9400	1	Valve-Vacuator
5		1	Plug ●
6		1	Marking ●

● Not serviced separately



Master Cylinder and Brake Line Assembly

<i>Ref.</i>	<i>Part Number</i>	<i>Qty.</i>	<i>Description</i>
2	32180-030	5	Clip-Harness W/Cable Tie
3	114-8324	4	Clip-Line, Brake
4	112-2925	1	Front Brake Line ASM
5	112-2926	1	Rear Brake Line ASM
6	323-6	2	Screw-HH
7	3290-357	2	Nut-HHF, Whiz
8	283-2	1	Pin-Clevis
9	3272-10	1	Pin-Cotter
10	104-6782	1	Cylinder-Master
12	115-2341	4	Washer-Banjo
13	115-2340	2	Bolt-Banjo
16	32104-82	2	Screw-HHF



Master Cylinder Assembly No. 104-6782

<i>Ref.</i>	<i>Part Number</i>	<i>Qty.</i>	<i>Description</i>
1	104-6845	1	Reservoir ASM
1:1	92-4112	1	Cap ASM
2	93-8971	2	Seal-Port, Flange
3	92-4103	1	Pin-Stop
4	92-4102	1	Secondary Piston ASM
5	92-4110	1	Clevis
6	21-0360	1	Nut-Hex
7	94-5209	1	Cover-Dust
8	94-5210	1	Rod-Push
9	92-4109	1	Ring-Snap
10	92-4108	1	Retainer-Washer
11	92-4101	1	Primary Piston ASM

Attachments and Accessories

For 07266 Workman MD Utility Vehicle

Product Name	Model/Part
Roll-Over Protection System	07276
Receiver Hitch Kit	07278
Stake Side Kit	07290
Portable Refreshment Center	07298
Canopy Kit	07324
Solid Windshield Kit	07325
Folding Windshield Kit	07326
Snow Plow	07327
Hard Cab	07328
Heavy-Duty Bumper Kit	07329
Rear Lift Kit	07334
Electric Bed Lift Kit	07335
Vinyl Enclosure	07337
Heavy-Duty Brush Guard and Bumper Kit	07338
Sliding Window Door Kit	07352
Fixed Window Door Kit	07353
Wheel-5 Bolt	104-6889
Tire-AT 489, 24x10.5-10	104-7061
Tire-AT 489, 22x9.5-10	104-7062
Brake and Signal Light Kit	115-7749
Lift Wire Harness Kit	115-7823
Backup Alarm Kit	115-7824
Horn Kit	115-7825
Replacement Front Spring Kit	117-4847
Tire And Wheel Asm	119-0751

Notes:



Count on it.