



32" BAGGER

for
Proline Mid-Size Mowers

Model No. 30124

Operator's Manual

IMPORTANT: Read this manual carefully. It contains information about your safety and the safety of others. Also become familiar with the controls and their proper use before you operate the product.

Introduction

We want you to be completely satisfied with your new product, so feel free to contact your local Authorized Service Dealer for help with service, genuine replacement parts, or other information you may require.

Whenever you contact your Authorized Service Dealer or the factory, always know the model number of your product. This number will help the Service Dealer or Service Representative provide exact information about your specific product.

The warning system in this manual identifies potential hazards and has special safety messages that help you and others avoid personal injury, even death. DANGER, WARNING and CAUTION are signal words used to identify the level of hazard. However, regardless of the hazard, be extremely careful.

DANGER signals an extreme hazard that will cause serious injury or death if the recommended precautions are not followed.

WARNING signals a hazard that may cause serious injury or death if the recommended precautions are not followed.

CAUTION signals a hazard that may cause minor or moderate injury if the recommended precautions are not followed.

Two other words are also used to highlight information. “Important” calls attention to special mechanical information and “Note” emphasizes general information worthy of special attention.

The left and right side of the machine is determined by sitting on the seat in the normal operator’s position.

Installation

Loose Parts

DESCRIPTION	QTY.	USE
Exhaust Elbow Clamp	1 1	Install on muffler
Bagger support Frame tube Bolt 1/2–13 x 1-1/4" (32 mm) Bolt 3/8–16 x 1-1/4" (32 mm) Washer 5/16" (8 mm)	1 2 2 2 1	Install bagger frame to traction unit
Chute Grass Bag	1 1	Install chute and grass bag

Install Exhaust Elbow

IMPORTANT: To protect bag from engine exhaust, all mowers with mufflers mounted on right side of engine must have exhaust elbow installed.

WARNING

POTENTIAL HAZARD

- Muffler heats up as engine operates.

WHAT CAN HAPPEN

- Hot muffler can cause serious burns.

HOW TO AVOID THE HAZARD

- Be sure exhaust system is cool before installing exhaust elbow.

1. Position clamp over slotted section of the exhaust elbow (Fig. 1).
2. With exhaust elbow outlet directed toward the front of the machine, slide over the muffler exhaust outlet tube (Fig. 1).

IMPORTANT: Do not direct exhaust elbow up or at some other component.

3. Tighten clamp securely.

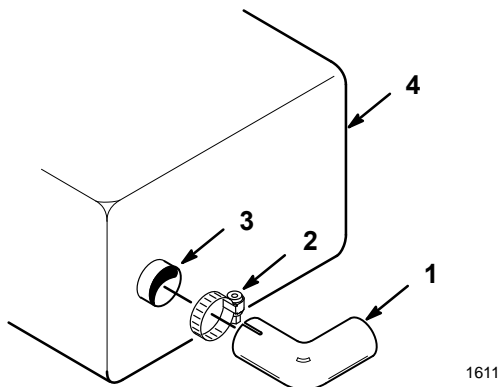


Figure 1

- | | |
|-----------------|------------------|
| 1 Exhaust elbow | 3 Exhaust outlet |
| 2 Clamp | 4 Muffler |

Install Bagger Frame

1. Remove bolt and locknut securing top of R.H. bracket support and R.H. idler bracket to rear frame (Fig. 1).

Note: Position of spring and spacers for reassembly.

2. Remove (2) bolts and locknuts securing bottom of R.H. bracket support to rear frame (Fig. 1).

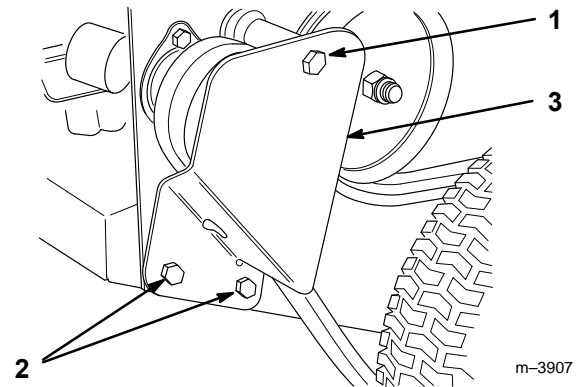


Figure 2

- | | |
|---------------|-----------|
| 1 Top bolt | 3 Bracket |
| 2 Bottom bolt | |

3. Remove (2) front flange head bolts and flange nuts securing right side of carrier frame to frame (Fig. 3).

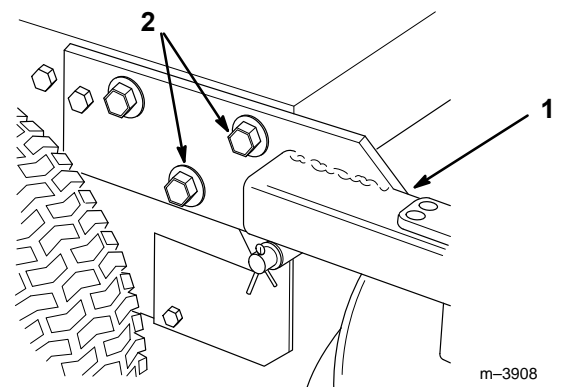
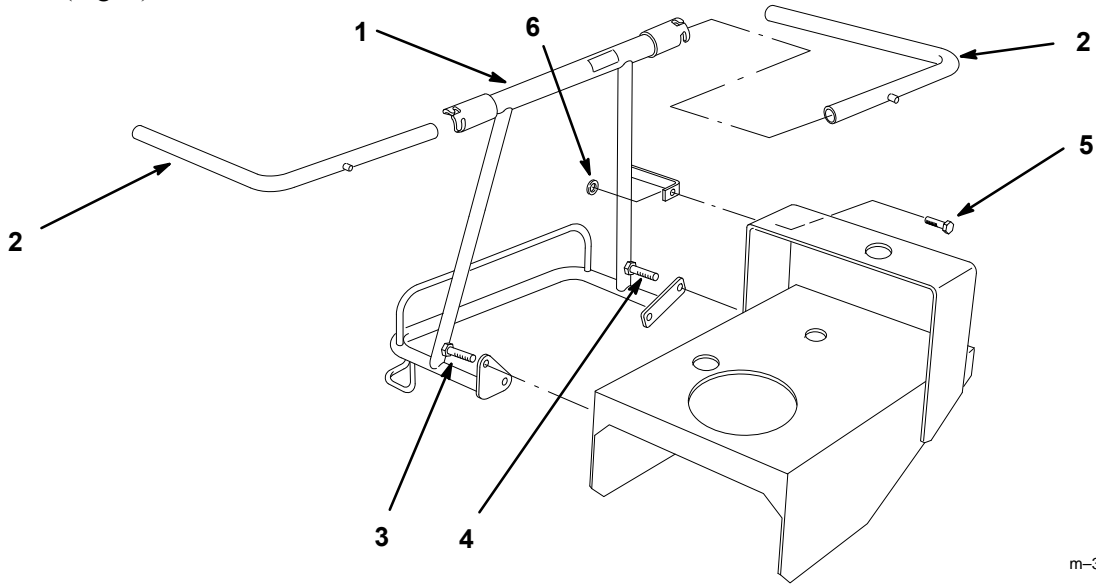


Figure 3

- | | |
|-----------------|---------------|
| 1 Carrier frame | 2 Flange bolt |
|-----------------|---------------|

4. Loosely secure front of bagger support to traction unit frame with (2) 1/2 - 13 x 1-1/4" (32 mm) flange head bolts (supplied in loose parts bag) and (2) 1/2-13 flange nuts previously removed (Fig. 4).
5. Loosely secure rear of bagger support to bottom of R.H. bracket support and rear frame with (2) 3/8 - 16 x 1-1/4" (32 mm) bolts (supplied in loose parts bag) and flange nuts previously removed (Fig. 4).
6. Reverse previously removed bolt and place through from behind rear frame. Secure idler bracket, spacer, spring, wheel guard, bagger support and washer (from bagger loose parts) with previously removed flange nut (Fig. 4).
7. Slide frame tubes into ends of bag support and lock pins into horizontal position slots (Fig. 4).



m-3909

Figure 4

- | | |
|--------------------------------|--------------------------------|
| 1 Bag support | 4 Bolt 1/2-13 x 1-1/4" (32 mm) |
| 2 Frame tube | 5 Reverse bolt |
| 3 Bolt 3/8-16 x 1-1/4" (32 mm) | 6 Washer 5/16" (8mm) |

Install Chute and Grass Bag

1. Slide chute assembly under deflector and into locking position with mating part of hinge lock. Insert locking pin (Fig. 5).

Note: Support bracket on chute assembly must hook behind pivot post on deck.

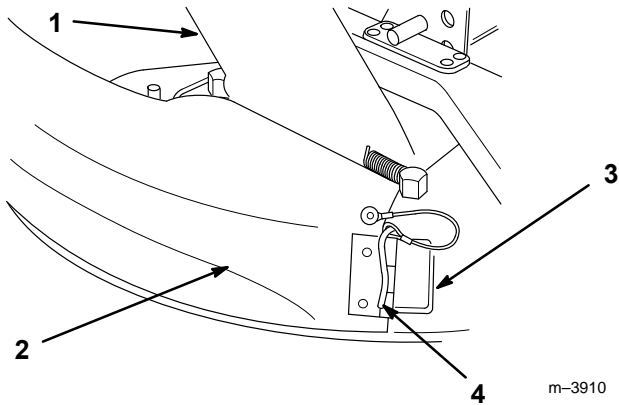


Figure 5

- | | |
|-------------|--------------|
| 1 Deflector | 3 Hinge lock |
| 2 Chute | 4 Lock pin |

2. Slide bag seams onto frame tubes so bag opening is positioned to front of mower (Fig. 6).

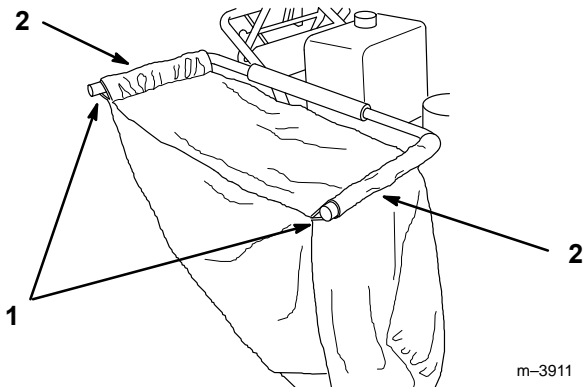


Figure 6

- | | |
|--------------|------------|
| 1 Frame tube | 2 Bag seam |
|--------------|------------|

3. Place open end of bag over chute flange. Draw up on string and secure with clip (Fig. 7).

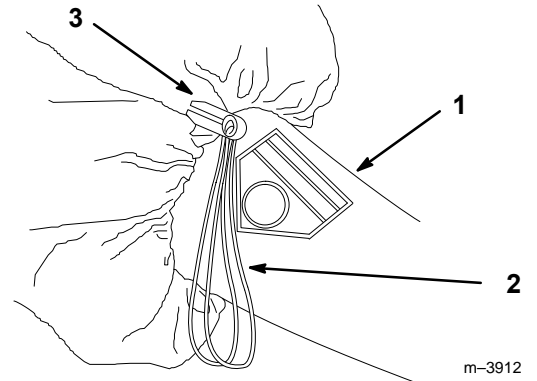


Figure 7

- | | |
|--------------|--------|
| 1 Chute | 3 Clip |
| 2 Bag string | |

Operation

CAUTION

To Avoid Personal Injury:

- **Become familiar with all operating and safety instructions in the operator's manual for your mower before using this attachment.**
- **Never do maintenance or repairs while the engine is running.**

Emptying the Grass Bag

1. Disengage the power take off (PTO) to stop the mower blades and release the traction drive or shift to NEUTRAL as applicable for your mower.
2. Remove clip and untie bag string at chute
3. Slide bag off frame tube and empty the grass bag.
4. Reinstall the grass bag and resume operation.

Clearing Obstructions from Bagger

1. Disengage the power take off (PTO) to stop the mower blades and release the traction drive or shift to NEUTRAL as applicable for your mower.
2. Remove the grass bag and empty it if full.
3. Carefully remove and clear the obstruction from the mower and chute.
4. Reinstall the grass bag and resume operation.

Operating and Bagging Tips

1. Remember that the mower is wider with the bagger installed. By turning too sharply in confined places you may damage the bagger.
2. Do not trim with the right side of the mower because you could damage the bagger.
3. When mowing rough or uncertain, use care to avoid damaging the bagger.
4. Air flow is required to cut grass and propel it into the bag. Setting the height-of-cut too low, especially in heavy or long grass can restrict the air flow and plug the mower or bagger.
5. To avoid plugging, double-cut the grass, first at a high height-of-cut and then lower the mower to the desired setting. Also, try to leave one side of the mower out of the uncut grass, allowing air to be drawn into the mower housing.
6. Always install bagging attachment before starting the engine. When removing or installing bag **SHUT ENGINE AND BLADES OFF.**

Note: When bagging is not required or when transporting machine, pivot and hook bagger frame tubes into the down position.

Maintenance

Inspecting the Bagger

Inspect the bagger after the first ten hours of operation and monthly thereafter.

DANGER

POTENTIAL HAZARD

- The grass bag material may tear, wear, and eventually deteriorate.

WHAT CAN HAPPEN

- You or bystanders could be severely injured by flying debris or thrown objects that pass through a worn or deteriorated grass bag.

HOW TO AVOID THE HAZARD

- Frequently check the grass bag for holes, wear, and other deterioration. Do not wash the grass bag. If the bag has deteriorated, install a new grass bag.

Caring for the Grass Bag

1. Do not wash the grass bag.
2. To prevent rapid deterioration of bag material, store the bag so it dries completely after each use.

CAUTION

POTENTIAL HAZARD

- If you store grass clippings in the grass bag, under the right conditions, spontaneous combustion (a fire-generating process that occurs without an external source of ignition) could occur.

WHAT CAN HAPPEN

- If a fire occurs, property could be damaged and/or someone could be injured.

HOW TO AVOID THE HAZARD

- The cloth grass bag is not a storage container. Never store grass clippings and debris in the grass bag.