



Count on it.

Parts Catalog

21in Heavy-Duty

Recycler®/Rear Bagger Lawn Mower

Model No. 22196—Serial No. 313000001 and Up



Ordering Replacement Parts

To order replacement parts, please supply the part number, the quantity, and the description of each part desired.

Understanding Reference Numbers

Each identified part in an illustration has a reference number. The reference number for a part also appears in the parts list, along with other information about the part.

This catalog uses two special reference number formats, one to indicate parts in a service assembly and another to indicate the quantity of a given part in an illustration.

Service Assembly Reference Numbers

Parts in service assemblies have reference numbers in the form a:b. The a represents the reference number of the entire service assembly and the b represents a sequential number unique to each part within the service assembly.

For example, a wheel assembly might be identified by reference number 6, the tire by 6:1, the valve by 6:2, and the wheel by 6:3. When you order the assembly identified by reference number 6, you receive all parts identified by reference numbers 6:1, 6:2, and 6:3. However, you may also order any part individually. Reference numbers of this type appear in illustration and in parts lists.

Reference Numbers Indicating Quantity

In an illustration, if a reference number indicates more than one part, the reference number has the form nX y. The n represents the quantity of the part, the X is the multiplication symbol, and the y represents the reference number.

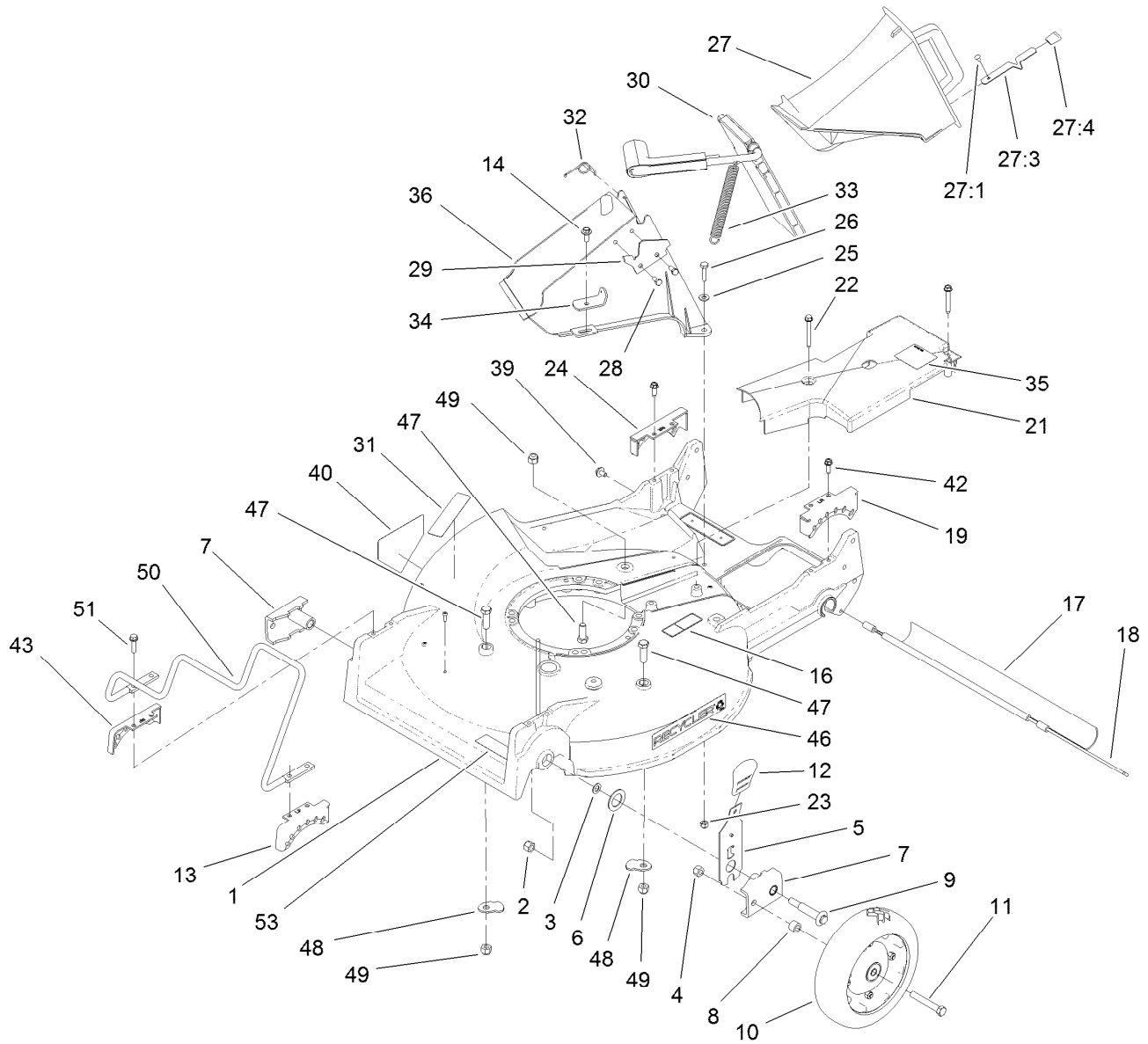
For example, in an illustration, the reference number 2X 37 means that two of the parts identified by reference number 37 are indicated.

List of Abbreviations

| | | |
|--|--|--|
| AR: as required | HLH: hex lag head | PTO: power-take-off |
| ASM: assembly | HOC: height-of-cut | RH: right hand |
| BBC: blade brake control | HSBH: hex socket button head | ROPS: roll-over protection system |
| BHTF: button head thread forming | HSFH: hex socket flat head | RRB: rear roller brush |
| CARR: carriage | HSH: hex socket head | SFH: slotted fillister head |
| CCW: counter clockwise | HWH: hex washer head | SHH: slotted hex head |
| CW: clockwise | HWHTF: hex washer head thread forming | SHWH: slotted hex washer head |
| DEG: degrees | HYD: hydraulic | SPH: slotted pan head |
| DPA: Dual Point Adjustment | LH: left hand | SQH: square head |
| ECM: electronic control module | LP: Liquefied Petroleum Gas | SRH: slotted round head |
| EXT: external | LPG: Liquefied Petroleum Gas | STD: standard |
| FH: flat head | NI: nylon insert | TAP: self tapping |
| GA: gauge | NPTF: national pipe thread fine | TTH: torx truss head |
| HD: heavy-duty | PFH: phillips flat head | |
| HF: hex flange | PPH: phillips pan head | |
| HH: hex head | PPHTF: phillips pan head thread forming | |
| HHF: hex head flange | PRH: phillips round head | |
| HHFTF: hex head flange thread forming | PTH: phillips truss head | |
| HJ: hex jam | | |

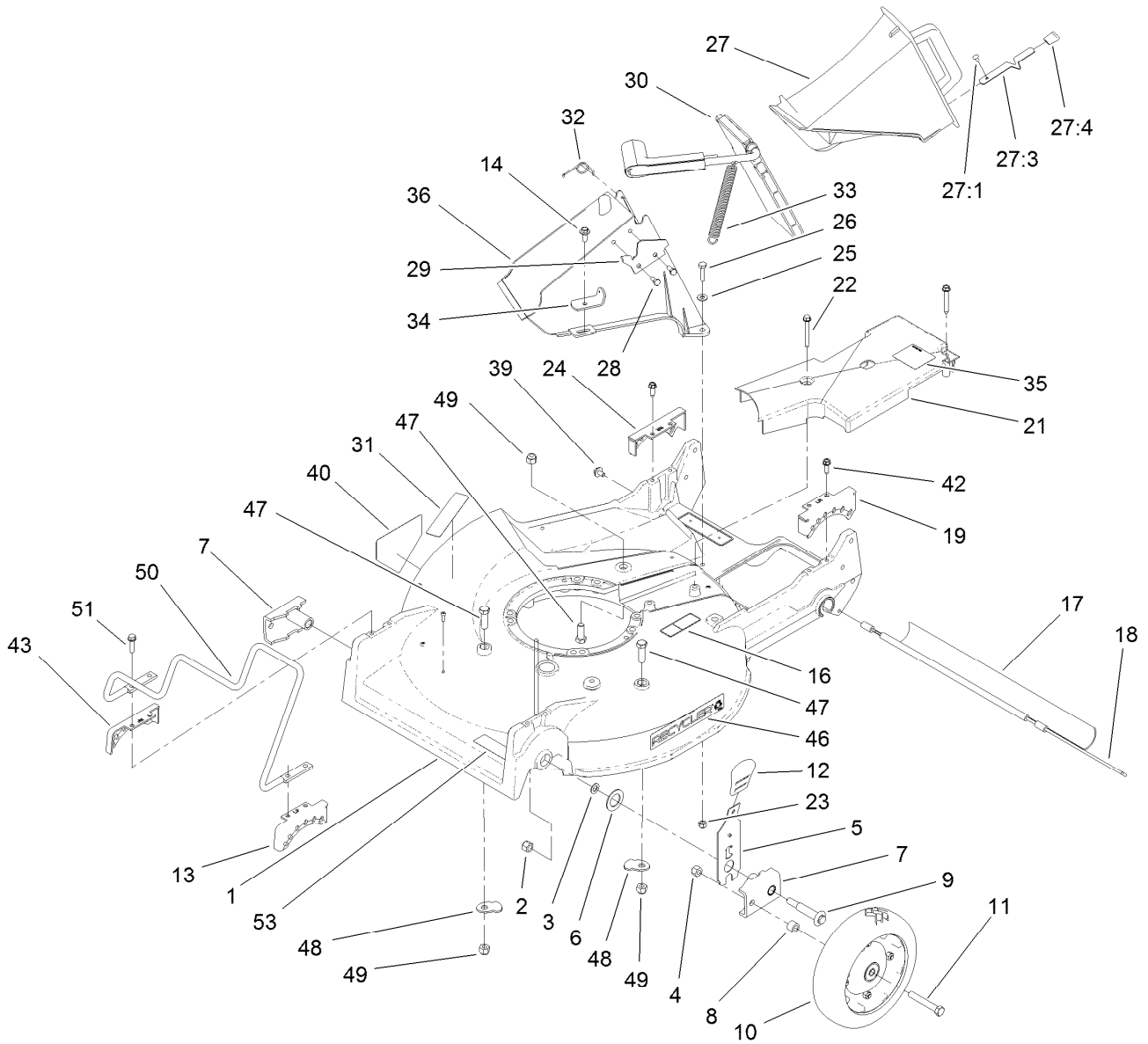
Contents

| | |
|--|----|
| Housing, Chute and Wheel Assembly..... | 4 |
| Housing Assembly No. 98-7146 | 6 |
| Front Wheel and Tire Assembly No. 121-1380 | 7 |
| Blade Brake Clutch Assembly | 8 |
| Engine and Fuel Tank Assembly | 10 |
| Handle Assembly | 11 |
| Control Panel Assembly | 12 |
| Rear Drive and Wheel Assembly | 13 |
| Rear Wheel and Tire Assembly No. 121-1379 | 14 |
| Gear Case Assembly No. 74-1860 | 15 |
| Grass Bag Assembly No. 121-1391 | 16 |
| Attachments and Accessories | 17 |



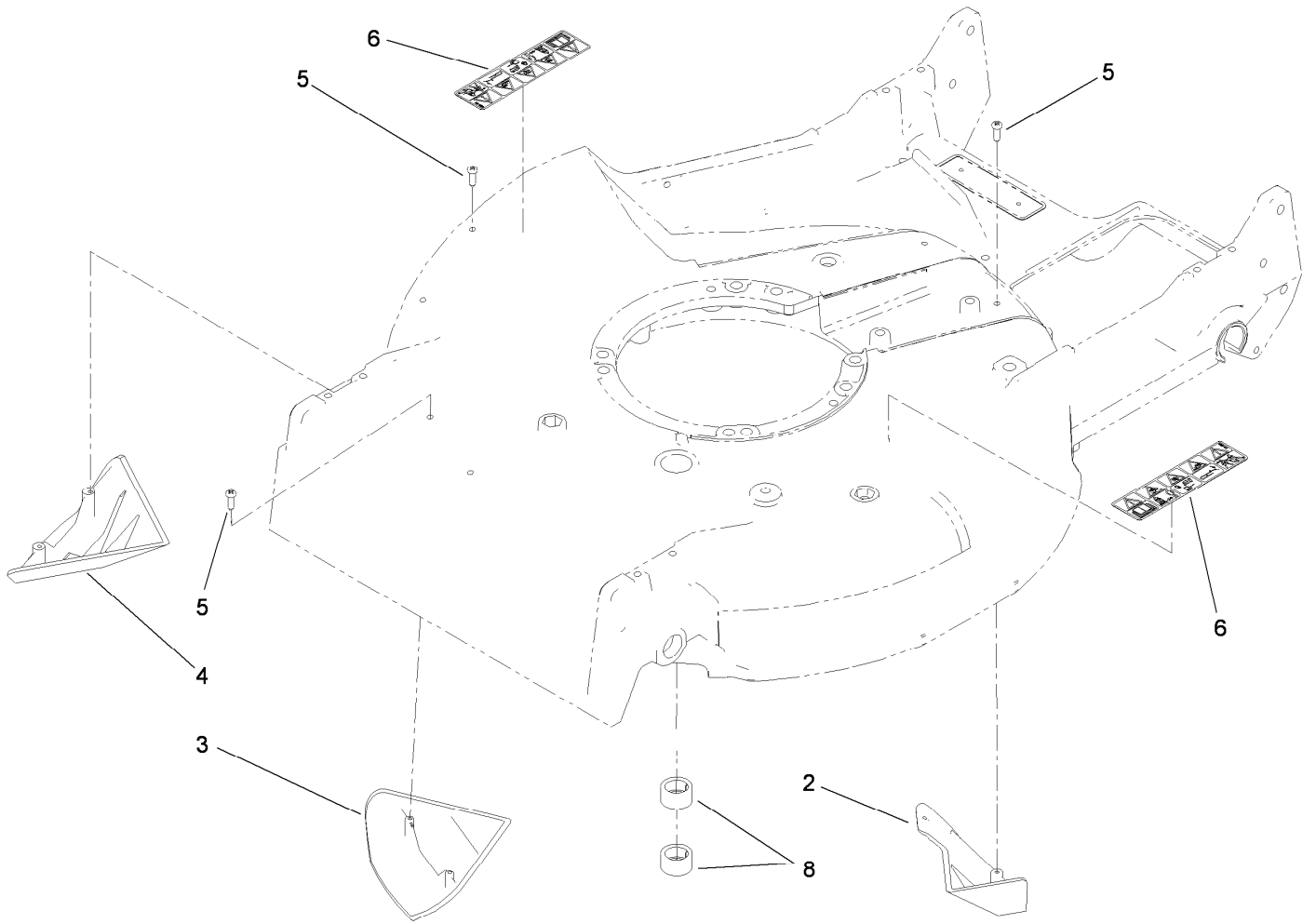
Housing, Chute and Wheel Assembly

| Ref. | Part Number | Qty. | Description | Ref. | Part Number | Qty. | Description |
|------|-------------|------|----------------------|------|-------------|------|-----------------------|
| 1 | 98-7146 | 1 | Housing | 24 | 49-8750 | 1 | Quadrant-Rear, RH |
| 2 | 3296-6 | 2 | Nut-Lock | 25 | 3256-22 | 2 | Washer-Flat |
| 3 | 40-1940 | 2 | Washer | 26 | 321-8 | 2 | Screw-HH |
| 4 | 32152-2 | 2 | Nut-Lock, Cone | 27 | 77-0500 | 1 | Discharge Plug ASM |
| 5 | 119-2323 | 2 | Front Spring Arm ASM | 27:1 | 3295-35 | 1 | Rivet-Head, Flat |
| 6 | 257-3 | 2 | Washer-Thrust | 27:3 | 76-4640 | 1 | Latch-Plug, Discharge |
| 7 | 61-8300 | 2 | Arm-Pivot, Front | 27:4 | 76-4650 | 1 | Grip-Latch |
| 8 | 52-2480 | 2 | Spacer-Wheel | 28 | 46-8090 | 2 | Screw-Plastite |
| 9 | 114-3468 | 2 | Screw-Shoulder | 29 | 93-3154 | 1 | Latch-Plate |
| 10 | 121-1380 | 2 | Wheel And Tire ASM | 30 | 93-7351 | 1 | Discharge Door ASM |
| 11 | 323-12 | 2 | Screw-HH | 31 | 117-2718 | 1 | Decal-Arrester, Spark |
| 12 | 110-0549 | 2 | Knob-HOC | 32 | 80-3770 | 1 | Retainer-Door |
| 13 | 49-8760 | 1 | Quadrant-Front, LH | 33 | 76-4660 | 1 | Spring-Door |
| 14 | 46-6811 | 1 | Screw-HWH | 34 | 71-9350 | 1 | Bracket-Spring |
| 16 | 121-1449 | 1 | Decal-Warning, Block | 35 | 119-7894 | 1 | Decal-Grease |
| 17 | 112-9989 | 1 | Shield-Trailing | 36 | 82-9152 | 1 | Tunnel-Discharge |
| 18 | 33-3208 | 1 | Rod-Shield | 39 | 46-6810 | 1 | Screw And Washer ASM |
| 19 | 49-8740 | 1 | Quadrant-Rear, LH | 40 | 94-8072 | 1 | Decal-Danger |
| 21 | 74-1770 | 1 | Cover-Belt | 42 | 49-2040 | 4 | Screw-HWHTF |
| 22 | 117-5248 | 2 | Screw-HWHTF | 43 | 49-8770 | 1 | Quadrant-Front, RH |
| 23 | 3296-42 | 2 | Nut-Lock, NI | 46 | 106-0689 | 1 | Decal |



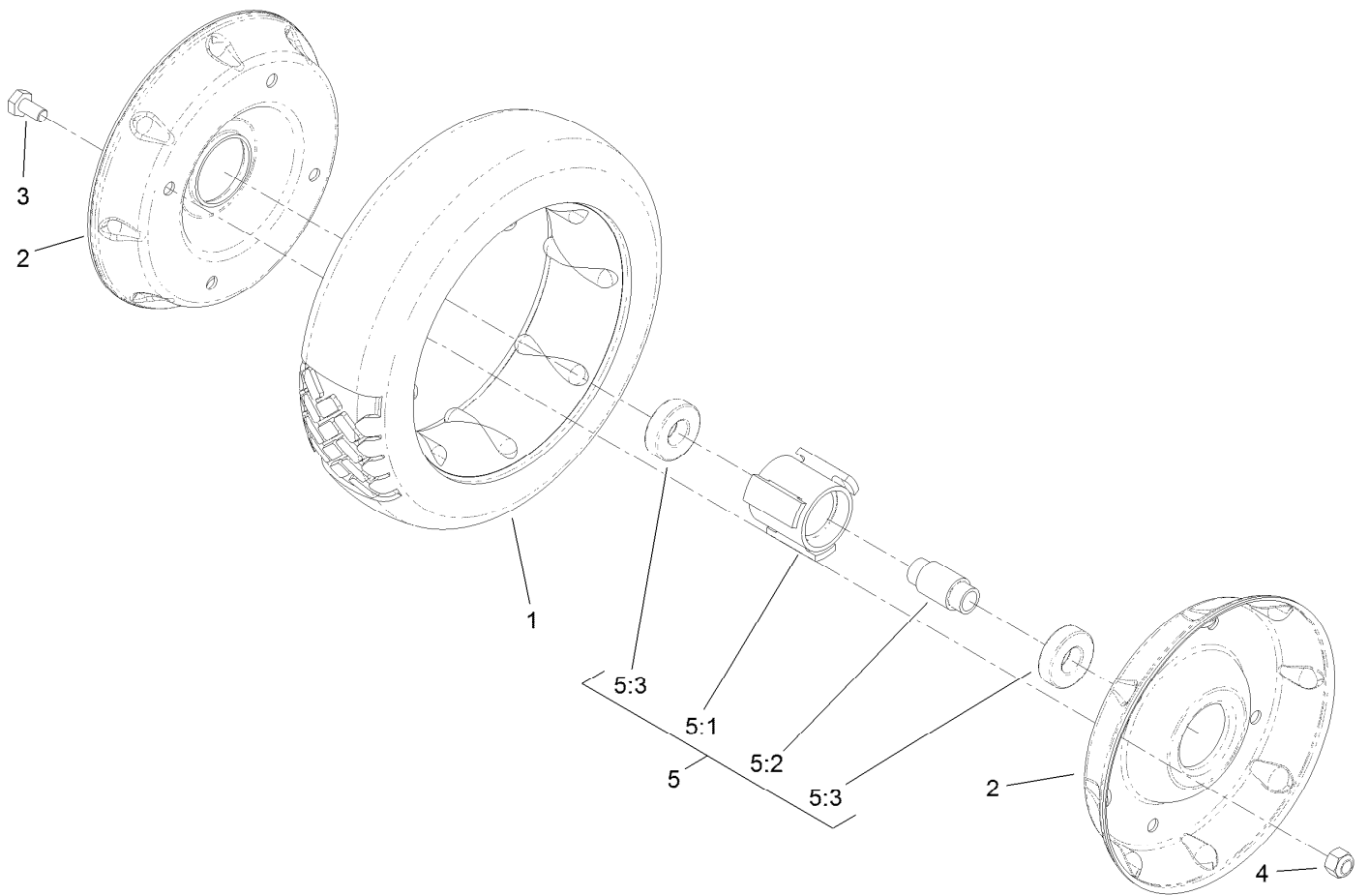
Housing, Chute and Wheel Assembly (continued)

| <i>Ref.</i> | <i>Part Number</i> | <i>Qty.</i> | <i>Description</i> | <i>Ref.</i> | <i>Part Number</i> | <i>Qty.</i> | <i>Description</i> |
|-------------|--------------------|-------------|--------------------|-------------|--------------------|-------------|--------------------|
| 47 | 323-6 | 3 | Screw-HH | 50 | 109-7638 | 1 | Guard-Engine |
| 48 | 84-8930 | 2 | Shield-Retainer | 51 | 32144-86 | 4 | Screw-HWHTF |
| 49 | 3296-39 | 3 | Nut-Lock, NI | 53 | 68-7410 | 1 | Decal-Blade |



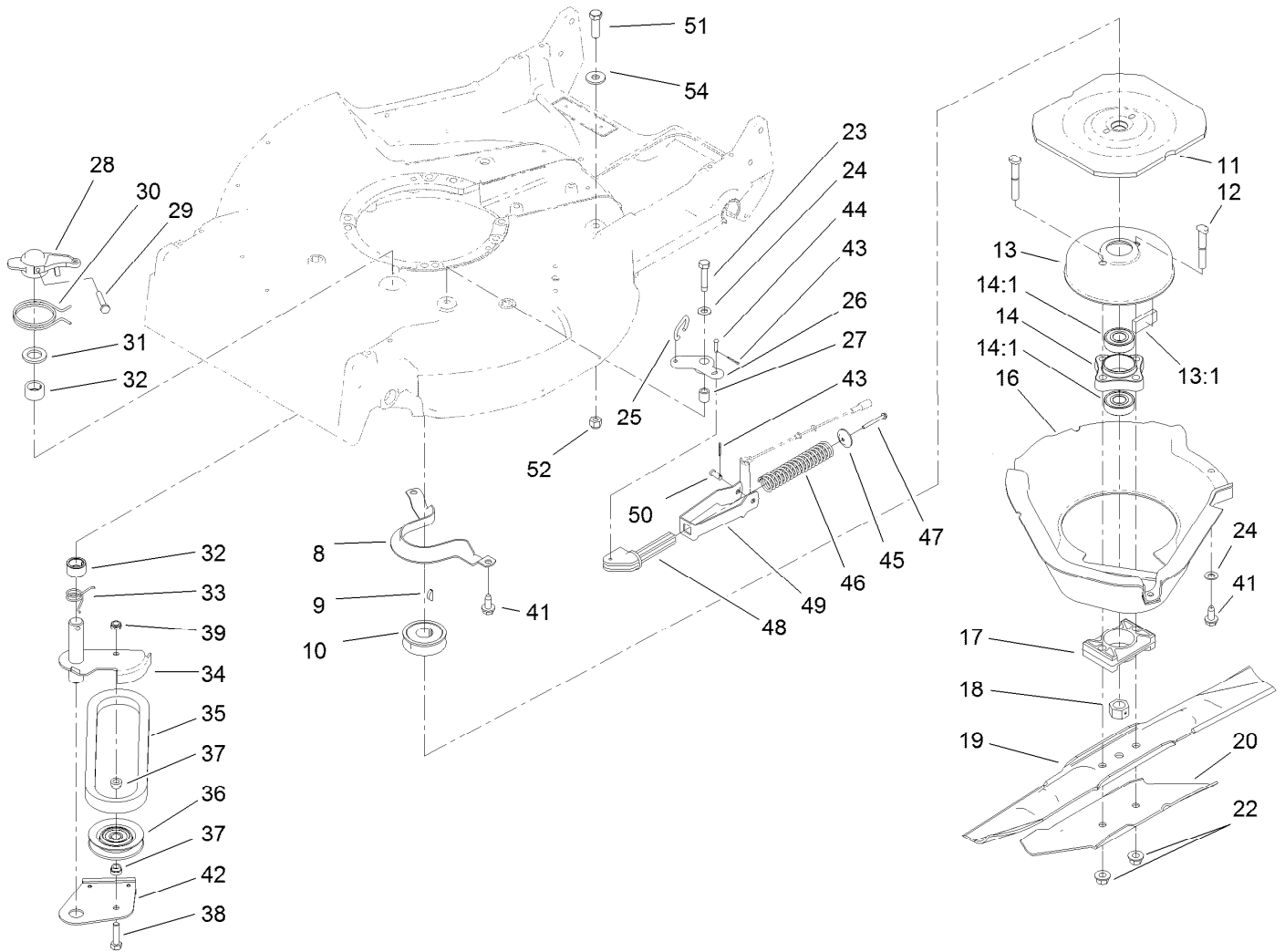
Housing Assembly No. 98-7146

| Ref. | Part Number | Qty. | Description |
|------|-------------|------|--------------|
| 2 | 92-1750 | 1 | Kicker-Rear |
| 3 | 92-1720 | 1 | Kicker-Front |
| 4 | 92-1730 | 1 | Kicker-RH |
| 5 | 32144-111 | 6 | Screw-PPH |
| 6 | 110-4978 | 2 | Decal-Danger |
| 8 | 68-9780 | 2 | Bearing |



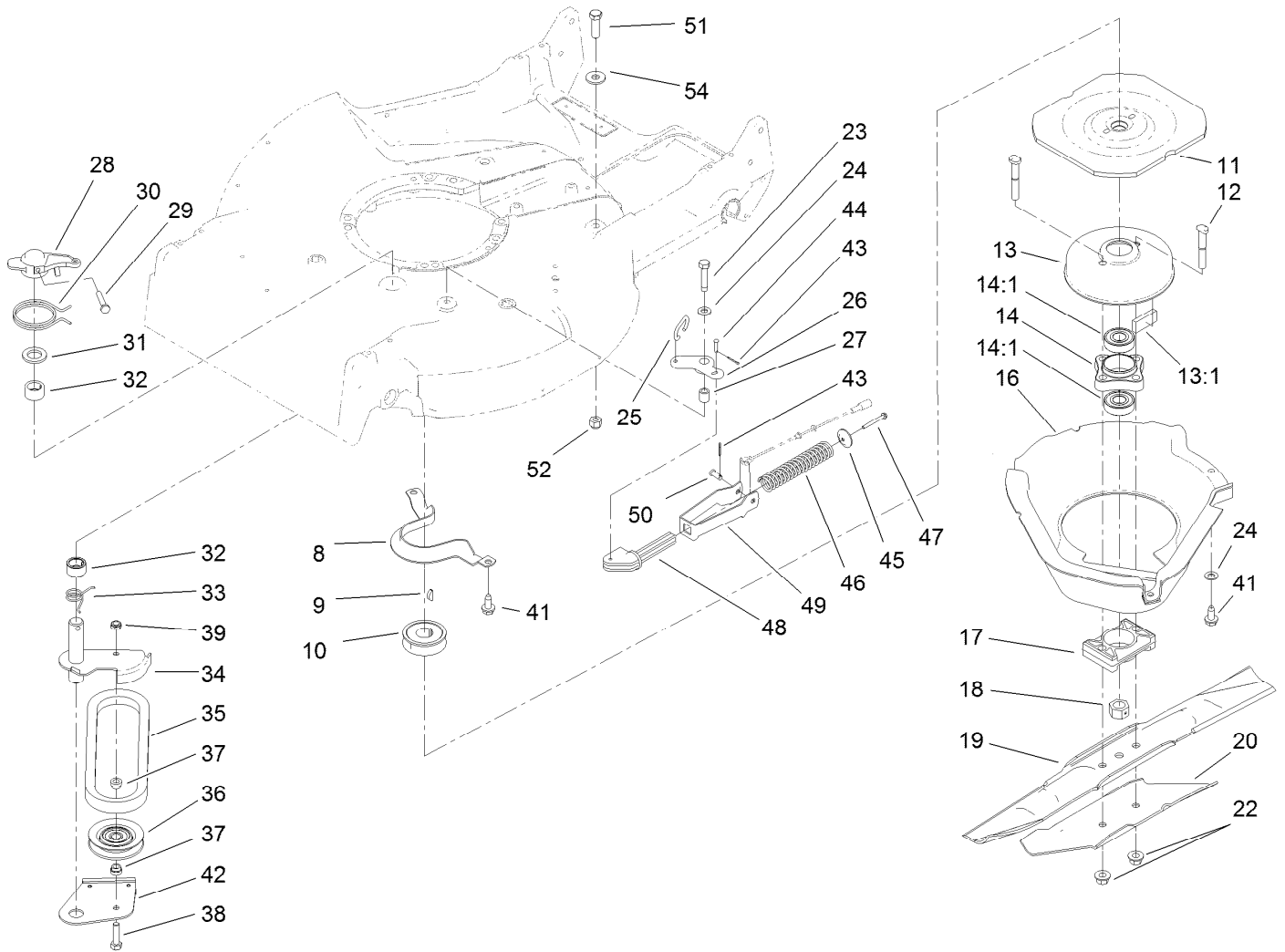
Front Wheel and Tire Assembly No. 121-1380

| <i>Ref.</i> | <i>Part Number</i> | <i>Qty.</i> | <i>Description</i> |
|-------------|--------------------|-------------|---------------------|
| 1 | 53-7740 | 1 | Tire |
| 2 | 121-1365-06 | 2 | Rim-Half, Wheel |
| 3 | 321-2 | 4 | Screw-HH |
| 4 | 3296-42 | 4 | Nut-Lock, NI |
| 5 | 121-1377 | 1 | Hub And Bearing ASM |
| 5:1 | 52-2410 | 1 | Hub-Bearing |
| 5:2 | 52-2440 | 1 | Spacer-Bearing |
| 5:3 | 109-8020 | 2 | Bearing-Ball |



Blade Brake Clutch Assembly

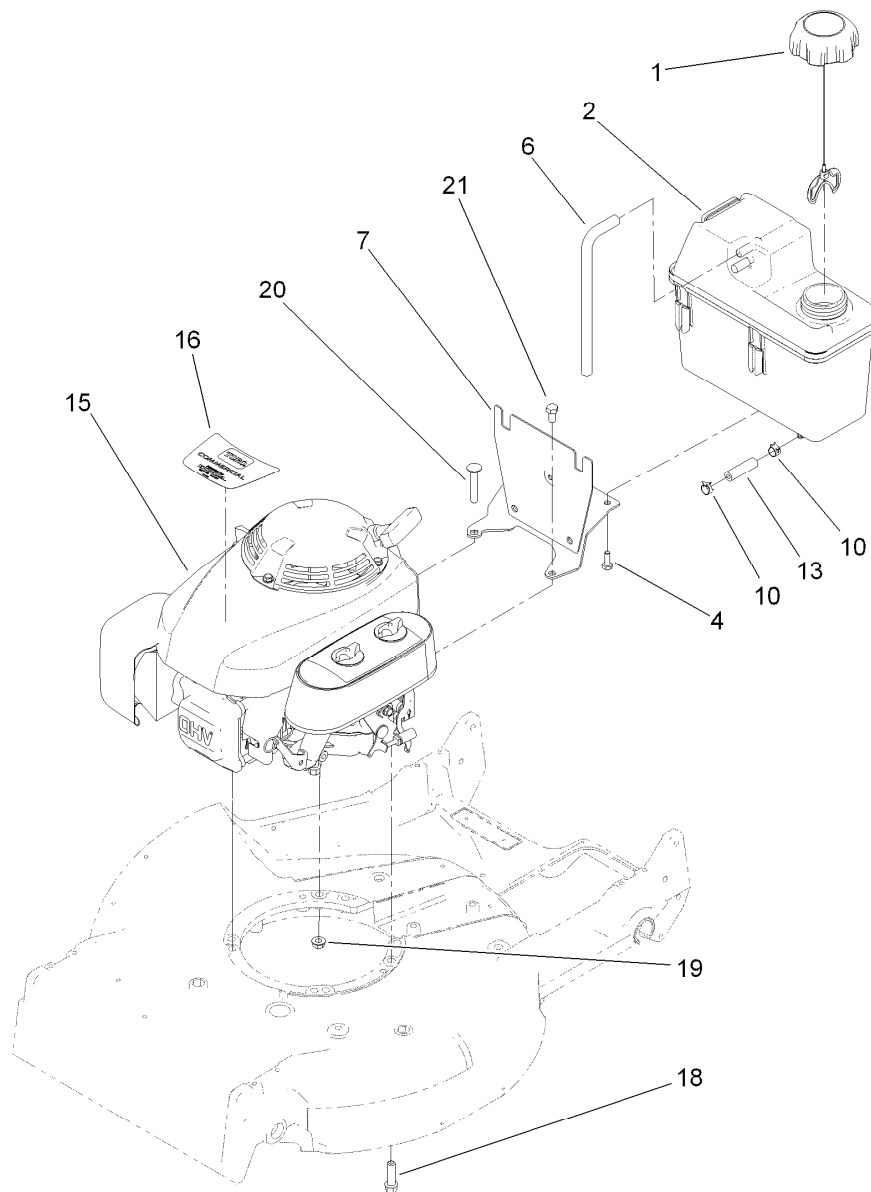
| Ref. | Part Number | Qty. | Description | Ref. | Part Number | Qty. | Description |
|------|-------------|------|---------------------|------|-------------|------|----------------------|
| 8 | 66-0570-03 | 1 | Bracket-Guide, Belt | 29 | 32104-96 | 1 | Screw-HH |
| 9 | 3257-17 | 1 | Key-Woodruff | 30 | 49-7970 | 1 | Spring-Torsion |
| 10 | 56-6180 | 1 | Pulley-Driver | 31 | 70-1160 | 1 | Washer |
| 11 | 56-6160-03 | 1 | Flywheel-BBC | 32 | 68-9780 | 2 | Bearing |
| 12 | 42-3190 | 2 | Bolt-Blade | 33 | 85-6880 | 1 | Spring-Torsion |
| 13 | 94-9431 | 1 | Brake Drum ASM | 34 | 84-9130 | 1 | Arm-Idler |
| 13:1 | 52-3480 | 2 | Dampener-Vibration | 35 | 42-0884 | 1 | V-Belt |
| 14 | 42-6890 | 1 | Hub ASM | 36 | 117-5299 | 1 | Pulley-Idler |
| 14:1 | 100-1048 | 2 | Bearing-Ball | 37 | 46-5631 | 2 | Spacer-Pulley, Idler |
| 16 | 46-5693 | 1 | Shield | 38 | 322-6 | 1 | Screw-HH |
| 17 | 107-4275 | 1 | Spacer-Blade | 39 | 3296-47 | 1 | Nut-Lock, NI |
| 18 | 603164 | 1 | Nut-Blade | 41 | 32144-70 | 3 | Screw-HWHTF |
| 19 | 91-2256-03 | 1 | Blade-21 Inch | 42 | 121-1351 | 1 | Brake Plate ASM |
| 20 | 91-2255-03 | 1 | Stiffener-Blade | 43 | 3272-1 | 2 | Pin-Cotter |
| 22 | 54-9190 | 2 | Nut-Lock | 44 | 84-9050 | 1 | Pin-Spring |
| 23 | 32104-107 | 1 | Screw-HH | 45 | 65-5280 | 1 | Retainer-Spring |
| 24 | 3256-23 | 2 | Washer-Flat | 46 | 84-9100 | 1 | Screw |
| 25 | 49-2810 | 1 | Link-Control | 47 | 46-7040 | 1 | Screw-HWHTF |
| 26 | 49-7960 | 1 | Bellcrank | 48 | 106-0842 | 1 | Guide-Spring |
| 27 | 49-7950 | 1 | Sleeve-Bellcrank | 49 | 107-4087-03 | 1 | Bracket-Spring |
| 28 | 49-2820 | 1 | Lever | 50 | 84-9040 | 1 | Pin-Cable |



Blade Brake Clutch Assembly (continued)

| <i>Ref.</i> | <i>Part Number</i> | <i>Qty.</i> | <i>Description</i> |
|-------------|--------------------|-------------|--------------------|
| 51 | 323-7 | 1 | Screw-HH |

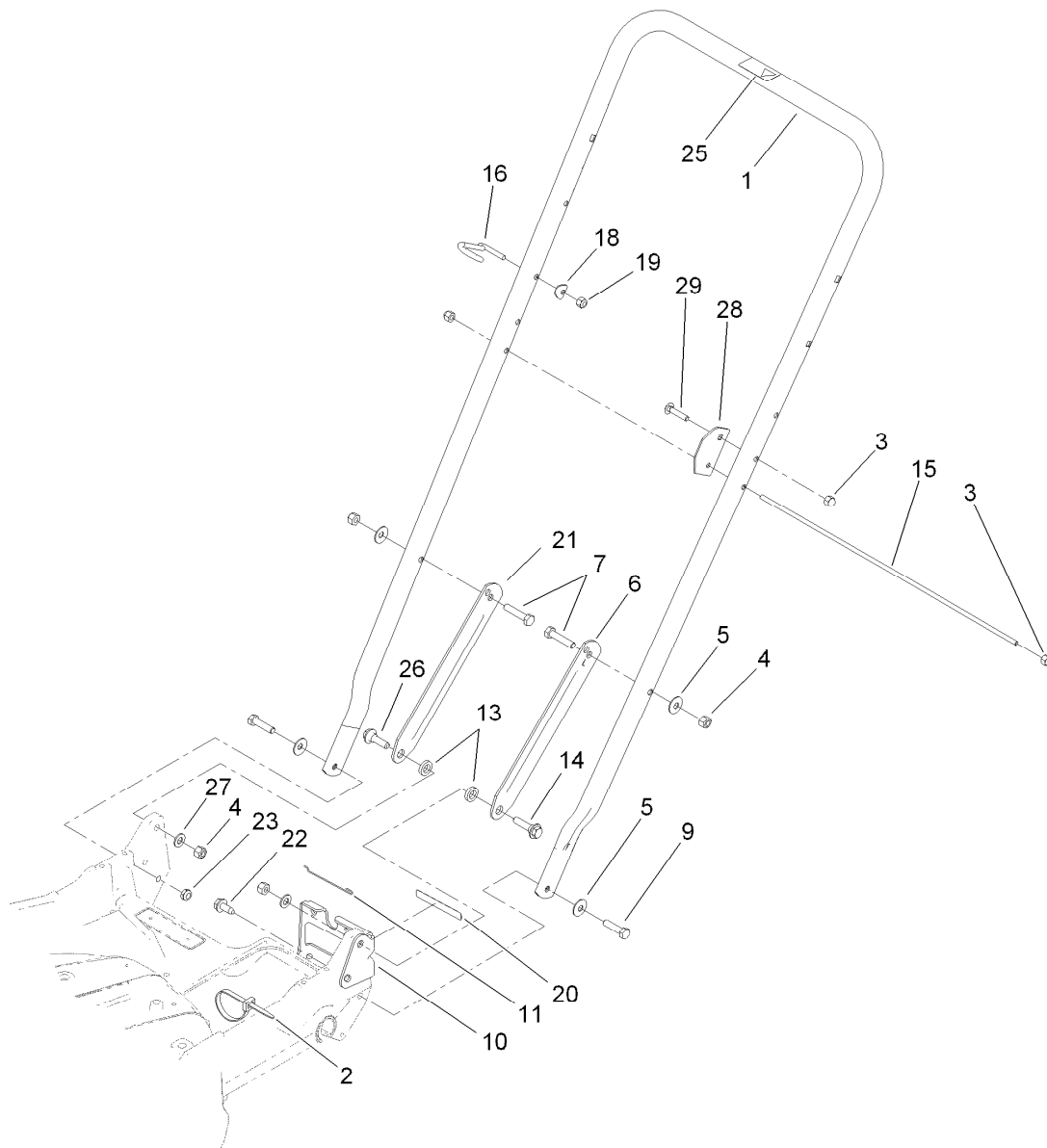
| <i>Ref.</i> | <i>Part Number</i> | <i>Qty.</i> | <i>Description</i> |
|-------------|--------------------|-------------|--------------------|
| 52 | 3296-39 | 1 | Nut-Lock, NI |
| 54 | 80-6990 | 1 | Washer-Hardened |



Engine and Fuel Tank Assembly

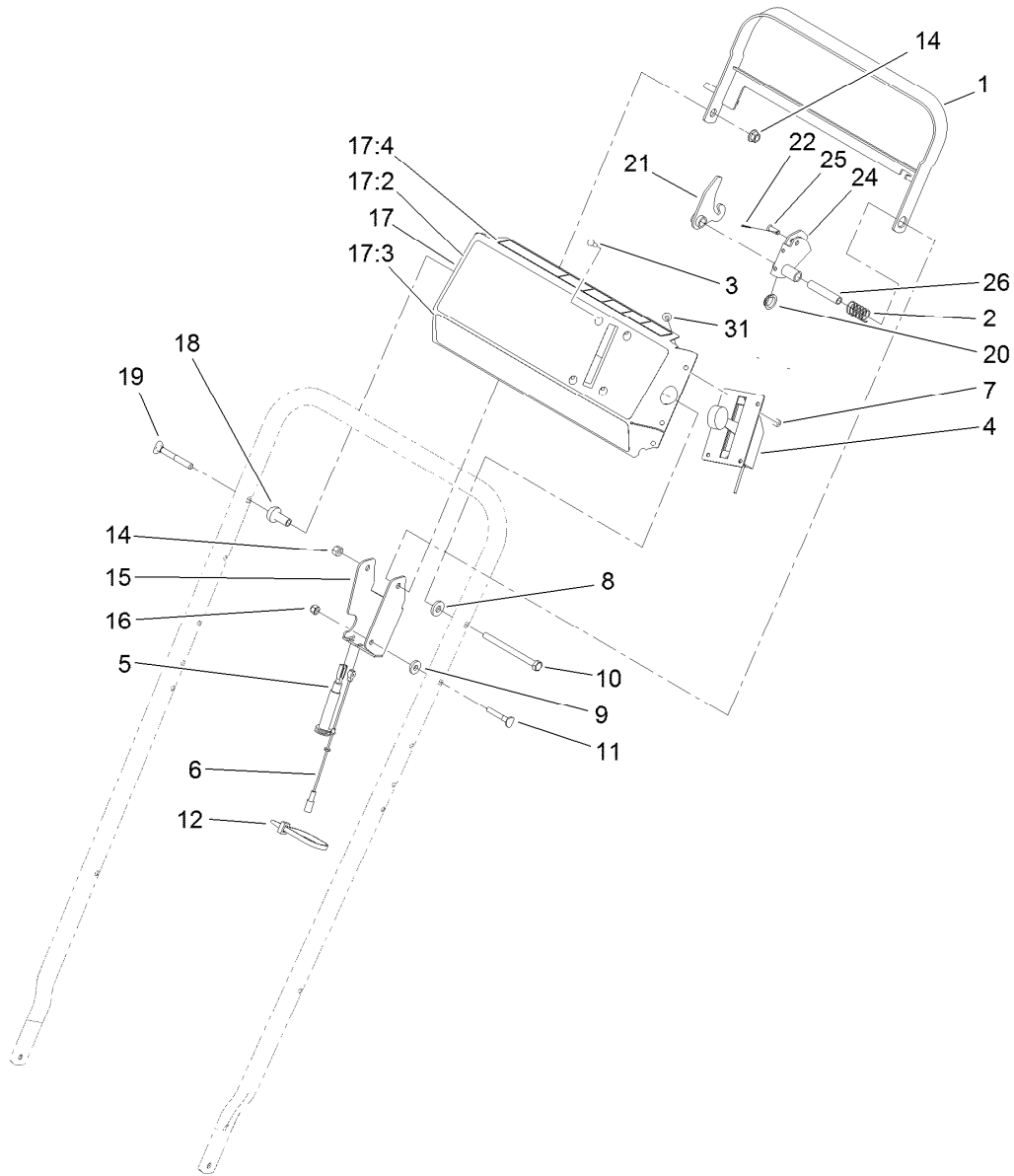
| Ref. | Part Number | Qty. | Description |
|------|-------------|------|----------------------------|
| 1 | 109-6776 | 1 | Cap-Ratchet, Tethered |
| 2 | 114-0280 | 1 | Tank-Fuel |
| 4 | 46-8091 | 2 | Screw-HWH |
| 6 | 115-0962 | 1 | Hose-Vent, Canister |
| 7 | 119-7837-03 | 1 | Tank Mount ASM |
| 10 | 2412-98 | 2 | Clamp-Hose |
| 13 | 119-7856 | 1 | Hose-Fuel |
| 15 | | 1 | Engine-Honda, BBC Gxv160 ● |
| 16 | 112-9974 | 1 | Decal-Engine, Honda |
| 18 | 103-2678 | 3 | Screw-Shoulder |
| 19 | 3230-6 | 1 | Screw-CARR |
| 20 | 32128-25 | 1 | Nut-HF |
| 21 | 3210-2 | 1 | Screw-HH |

● Not serviced separately



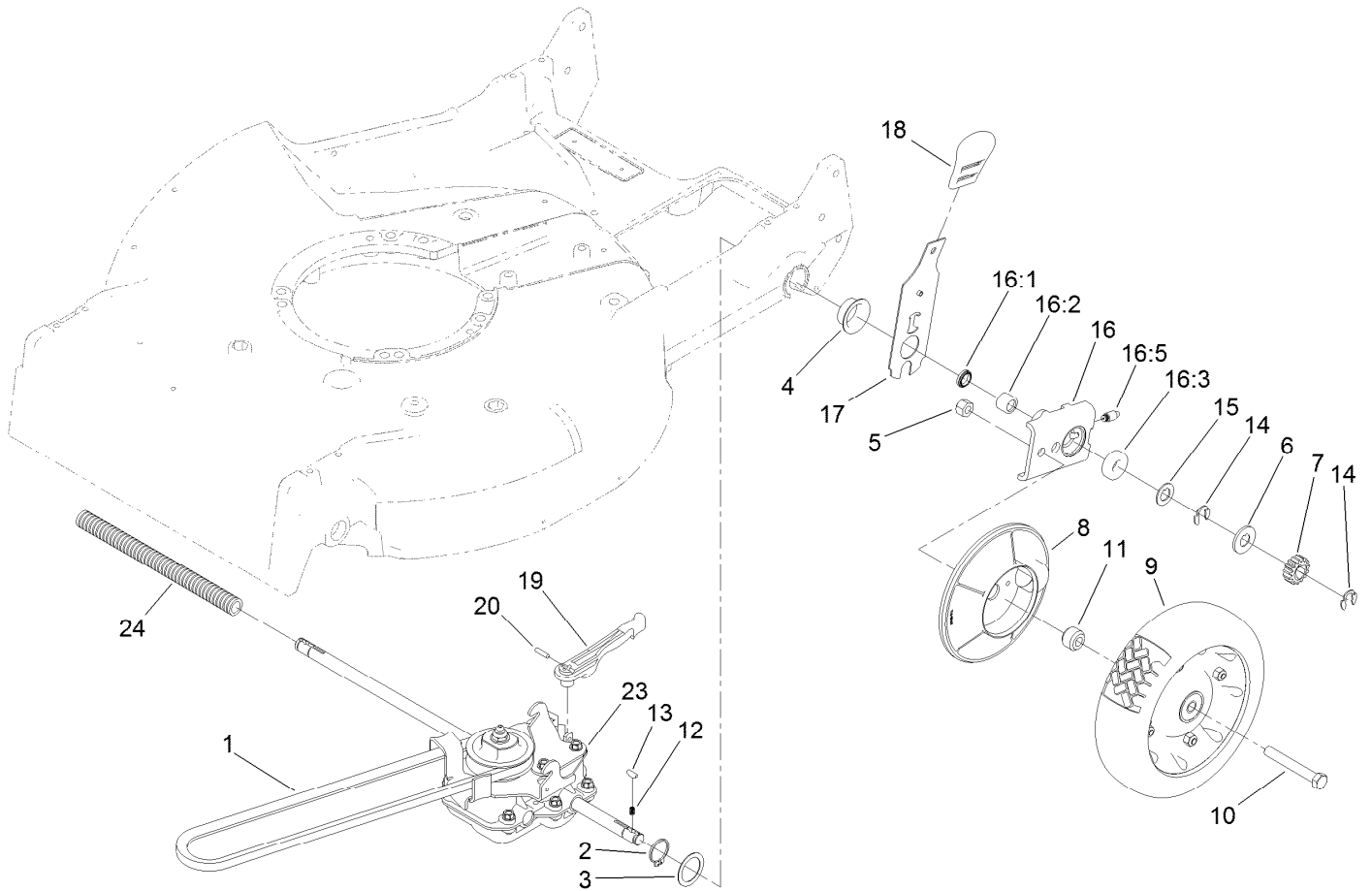
Handle Assembly

| <i>Ref.</i> | <i>Part Number</i> | <i>Qty.</i> | <i>Description</i> | <i>Ref.</i> | <i>Part Number</i> | <i>Qty.</i> | <i>Description</i> |
|-------------|--------------------|-------------|------------------------------|-------------|--------------------|-------------|-----------------------|
| 1 | 98-2385-03 | 1 | Handle | 15 | 48-2810 | 1 | Rod-Support, Bag |
| 2 | 3290-378 | 1 | Tie-Cable | 16 | 114-2775 | 1 | Guide-Rope |
| 3 | 32111-7 | 3 | Nut-Cap | 18 | 3-7501 | 1 | Washer |
| 4 | 3296-29 | 4 | Nut-Lock, NI | 19 | 3296-42 | 1 | Nut-Lock, NI |
| 5 | 3290-456 | 4 | Washer-Belleville | 20 | 74-1970 | 1 | Decal-Position, Gear |
| 6 | 100-3298-03 | 1 | Latch-Handle, LH | 21 | 100-3297-03 | 1 | Latch-Handle, RH |
| 7 | 322-7 | 2 | Screw-HH | 22 | 32144-70 | 1 | Screw-HWHTF |
| 9 | 322-6 | 2 | Screw-HH | 23 | 3296-47 | 2 | Nut-Lock, NI |
| 10 | 74-1741 | 1 | Bracket-Adjustment, Traction | 25 | 98-4387 | 1 | Decal-Protection, Ear |
| 11 | 46-7030 | 1 | Retainer-Cable | 26 | 27-7211 | 1 | Screw-Shoulder |
| 13 | 3-3287 | 2 | Spacer | 27 | 3256-23 | 2 | Washer-Flat |
| 14 | 27-7210 | 1 | Screw-Shoulder | 28 | 104-1326 | 1 | Plate-Aligning, Bag |
| | | | | 29 | 3229-3 | 1 | Screw-CARR |



Control Panel Assembly

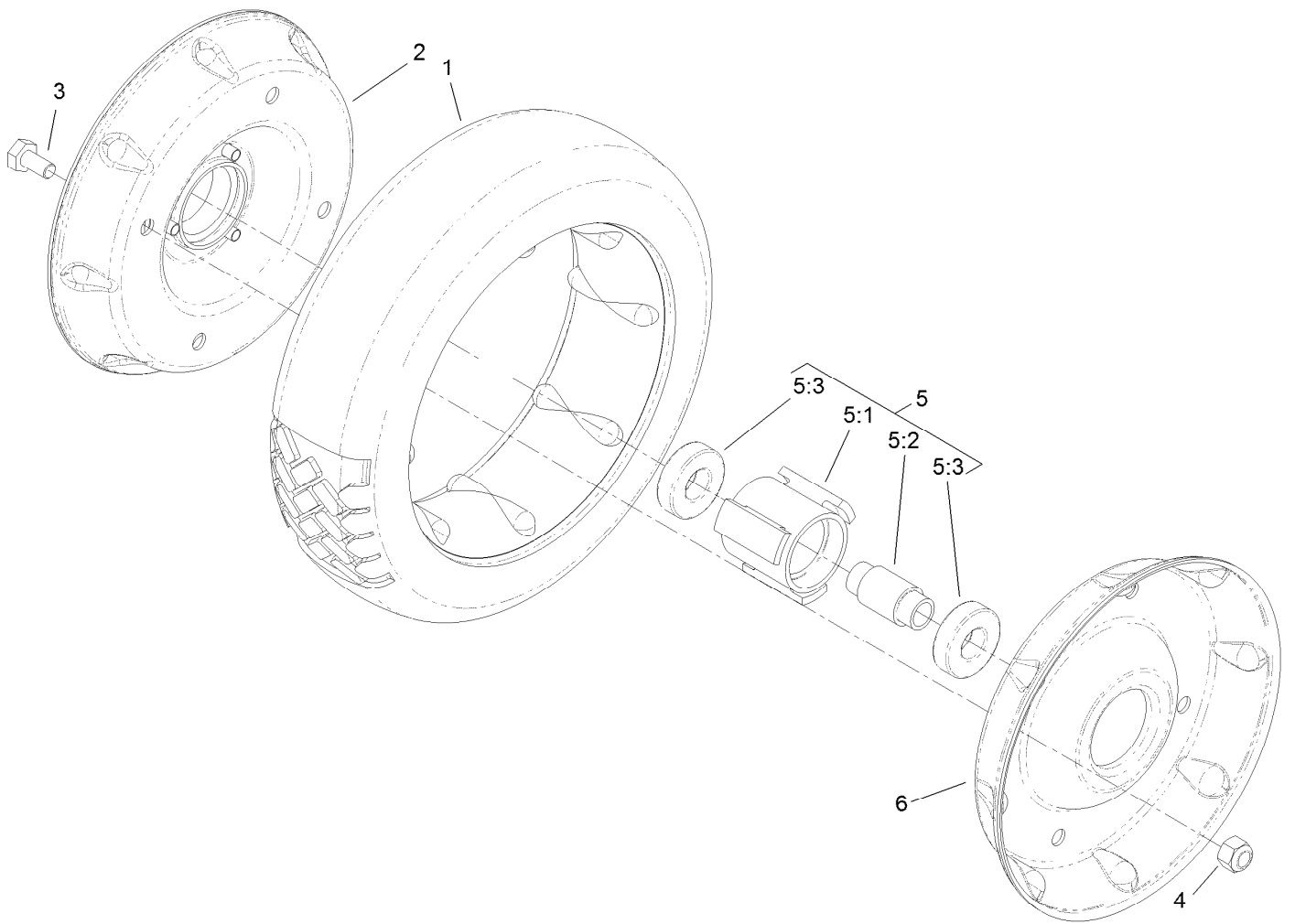
| <i>Ref.</i> | <i>Part Number</i> | <i>Qty.</i> | <i>Description</i> | <i>Ref.</i> | <i>Part Number</i> | <i>Qty.</i> | <i>Description</i> |
|-------------|--------------------|-------------|--------------------|-------------|--------------------|-------------|-------------------------|
| 1 | 84-8940-03 | 1 | Bar-Control | 16 | 3296-42 | 1 | Nut-Lock, NI |
| 2 | 85-6750 | 1 | Spring-Control | 17 | 14-7709 | 1 | Panel ASM |
| 3 | 3250-12 | 4 | Screw-PPH | 17:2 | 107-4098 | 1 | Decal-Panel |
| 4 | 125-1061 | 1 | Control-Throttle | 17:3 | 106-0771 | 1 | Decal-Panel |
| 5 | 84-9120 | 1 | Cable-Traction | 17:4 | 112-8736 | 1 | Decal-Danger Panel |
| 6 | 84-9110 | 1 | Cable-Clutch | 18 | 49-1631 | 1 | Spacer-Support |
| 7 | 3296-2 | 4 | Nut-Lock, NI | 19 | 17-9427 | 1 | Screw |
| 8 | 71-9310 | 1 | Spacer | 20 | 86-9320 | 1 | Bushing-Flange |
| 9 | 71-9320 | 1 | Spacer | 21 | 84-9000 | 1 | Lever-Traction |
| 10 | 322-19 | 1 | Screw-HH | 22 | 3272-1 | 1 | Pin-Cotter |
| 11 | 46-6430 | 1 | Screw-Handle | 24 | 84-8990 | 1 | Lever-BBC |
| 12 | 3290-378 | 1 | Tie-Cable | 25 | 84-9040 | 1 | Pin-Cable |
| 14 | 104-8300 | 2 | Nut-Flange, NI | 26 | 84-9030 | 1 | Spacer-Bracket, Control |
| 15 | 92-1778-03 | 1 | Bracket-Control | 31 | 32104-76 | 6 | Screw-Thd Cutting, HWH |



Rear Drive and Wheel Assembly

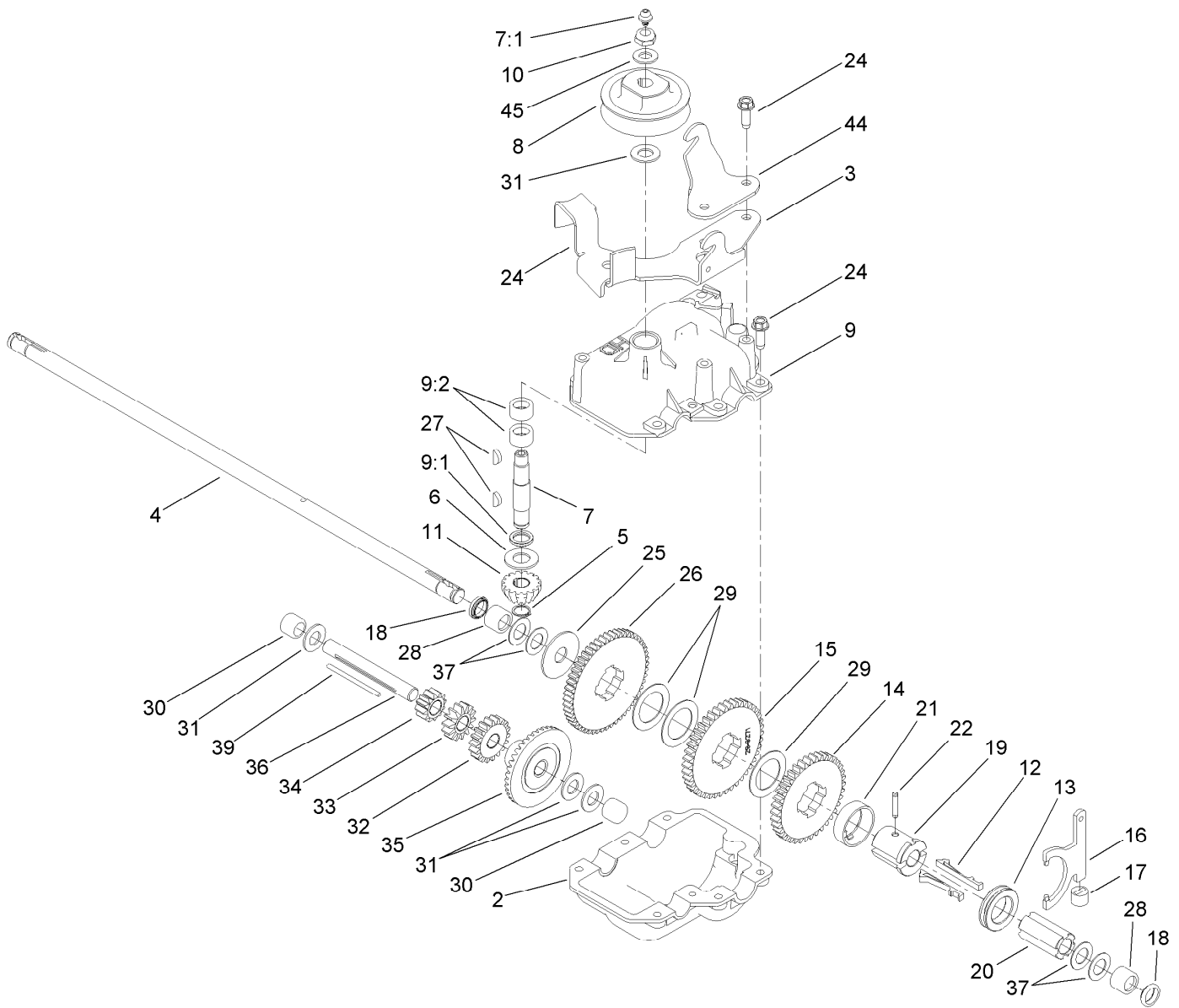
| Ref. | Part Number | Qty. | Description |
|------|-------------|------|----------------------|
| 1 | 36-8070 | 1 | V-Belt |
| 2 | 32151-36 | 2 | Ring-Retaining |
| 3 | 74-1810 | 2 | Washer |
| 4 | 48-2170 | 2 | Cap-End |
| 5 | 32152-2 | 2 | Nut-Lock, Cone |
| 6 | 62-3830 | 2 | Washer-Thrust, Outer |
| 7 | 39-9160 | 2 | Gear-Pinion |
| 8 | 74-1640 | 2 | Cover-Wheel |
| 9 | 121-1379 | 2 | Wheel And Tire ASM |
| 10 | 323-13 | 2 | Screw-HH |
| 11 | 74-1650 | 2 | Spacer-Cover, Wheel |
| 12 | 39-9650 | 2 | Spring-Compression |
| 13 | 612066 | 2 | Key |
| 14 | 32151-68 | 4 | Ring-Retaining |

| Ref. | Part Number | Qty. | Description |
|------|-------------|------|-----------------------------|
| 15 | 49-7700 | 2 | Washer-Thrust, Outer |
| 16 | 74-1851 | 2 | Pivot Arm ASM |
| 16:1 | 47-6730 | 1 | Seal-Oil |
| 16:2 | 117-3500 | 1 | Bearing-Caged Needle Roller |
| 16:3 | 52-2450 | 1 | Bearing-Wheel |
| 16:5 | 92-6316 | 1 | Zerk |
| 17 | 119-2324 | 2 | Rear Spring Arm ASM |
| 18 | 110-0549 | 2 | Knob-HOC |
| 19 | 74-1960 | 1 | Lever-Shift |
| 20 | 32121-99 | 1 | Pin-Coil |
| 23 | 74-1860 | 1 | Gear Case ASM |
| 24 | 121-1357 | 1 | Cover-Shaft, Drive |



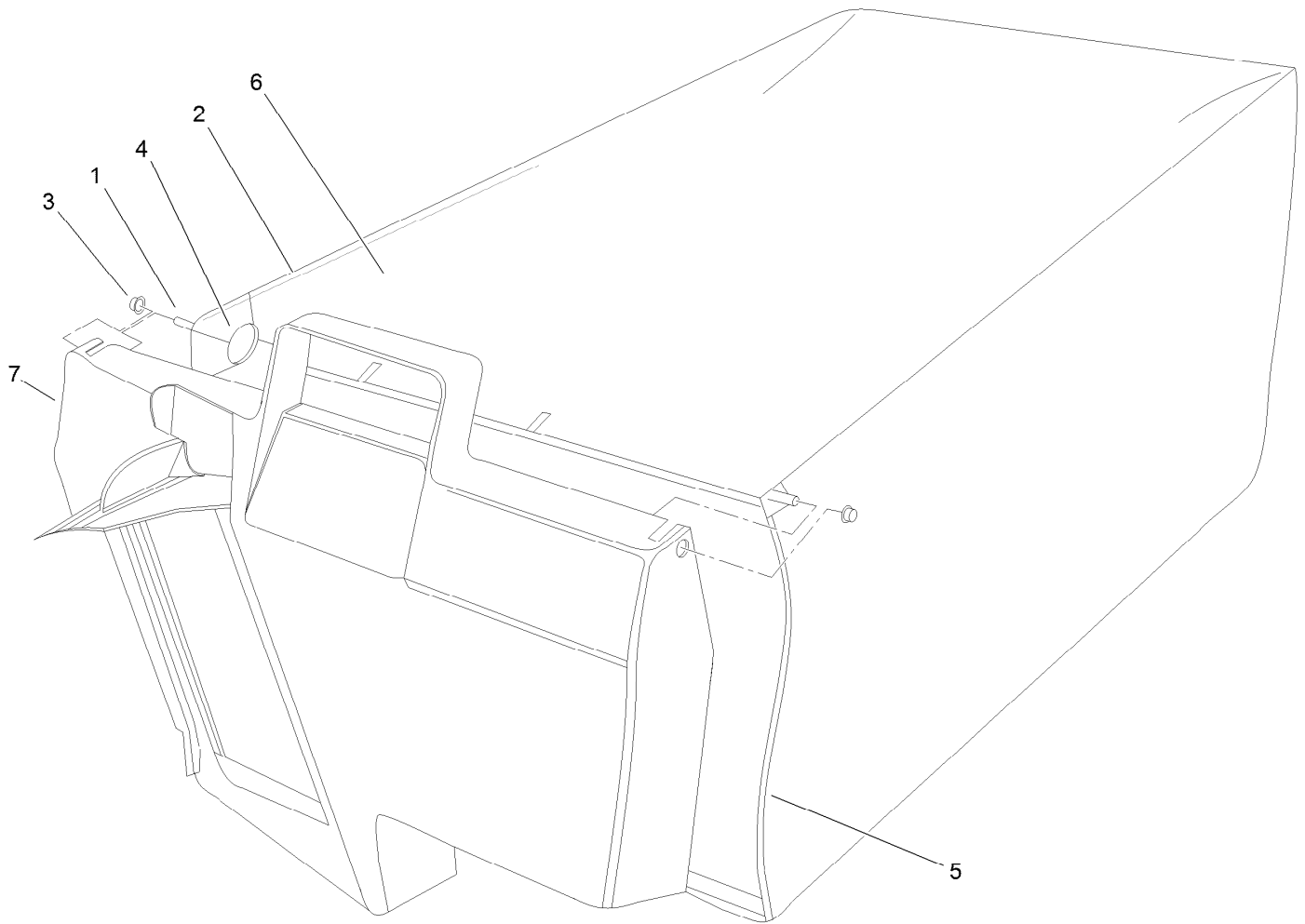
Rear Wheel and Tire Assembly No. 121-1379

| <i>Ref.</i> | <i>Part Number</i> | <i>Qty.</i> | <i>Description</i> |
|-------------|--------------------|-------------|-------------------------|
| 1 | 53-7740 | 1 | Tire |
| 2 | 121-1378-06 | 1 | Wheel Half And Gear ASM |
| 3 | 321-2 | 4 | Screw-HH |
| 4 | 3296-42 | 4 | Nut-Lock, NI |
| 5 | 121-1377 | 1 | Hub And Bearing ASM |
| 5:1 | 52-2410 | 1 | Hub-Bearing |
| 5:2 | 52-2440 | 1 | Spacer-Bearing |
| 5:3 | 109-8020 | 2 | Bearing-Ball |
| 6 | 121-1365-06 | 1 | Rim-Half, Wheel |



Gear Case Assembly No. 74-1860

| Ref. | Part Number | Qty. | Description | Ref. | Part Number | Qty. | Description |
|------|-------------|------|---------------------|------|-------------|------|-----------------------------|
| 2 | 119-7863 | 1 | Gear Case-Lower | 20 | 39-6720 | 1 | Sleeve |
| 3 | 49-8461-03 | 1 | Bracket-Guide, Belt | 21 | 55-8020 | 1 | Retainer-Key |
| 4 | 74-1890 | 1 | Shaft-Output | 22 | 3285-19 | 1 | Pin-Groove |
| 5 | 32151-57 | 1 | Ring-Retaining | 24 | 49-2040 | 8 | Screw-HWHTF |
| 6 | 47-2910 | 1 | Washer-Thrust | 25 | 29-9690 | 1 | Washer |
| 7 | 13-5149 | 1 | Input Shaft ASM | 26 | 46-3560 | 1 | Gear |
| 7:1 | 302-63 | 1 | Zerk | 27 | 3257-1 | 2 | Key-Woodruff |
| 8 | 39-6740 | 1 | Pulley | 28 | 117-3500 | 2 | Bearing-Caged Needle Roller |
| 9 | 13-9739 | 1 | Upper Gearcase ASM | 29 | 36-4770 | 3 | Washer |
| 9:1 | 47-7260 | 1 | Seal | 30 | 252-103 | 2 | Bearing-Needle, Closed |
| 9:2 | 47-7270 | 2 | Bearing-Needle | 31 | 36-4792 | 4 | Washer-Thrust |
| 10 | 3296-5 | 1 | Nut-Lock | 32 | 39-6650 | 1 | Gear-18T |
| 11 | 39-6660 | 1 | Pinion-Bevel | 33 | 46-3550 | 1 | Gear-14T |
| 12 | 29-9330 | 2 | Key-Shift | 34 | 46-3540 | 1 | Gear-12T |
| 13 | 29-9340 | 1 | Collar-Shift | 35 | 74-1760 | 1 | Gear-Bevel |
| 14 | 42-4740 | 1 | Gear-38T | 36 | 53-7950 | 1 | Shaft-Intermediate |
| 15 | 29-9271 | 1 | Gear-42T | 37 | 36-4780 | 4 | Washer-Plain |
| 16 | 60-8870 | 1 | Yoke-Shift | 39 | 39-7842 | 1 | Key |
| 17 | 29-9570 | 1 | Bushing-Yoke | 44 | 74-1750-03 | 1 | Bracket-Engage, Traction |
| 18 | 47-6730 | 2 | Seal-Oil | 45 | 3256-45 | 1 | Washer-Flat |
| 19 | 55-8010 | 1 | Sleeve-Gear | | | | |



Grass Bag Assembly No. 121-1391

| <i>Ref.</i> | <i>Part Number</i> | <i>Qty.</i> | <i>Description</i> |
|-------------|--------------------|-------------|--------------------|
| 1 | 33-4820 | 1 | Hinge-Door, Bag |
| 2 | 121-1388 | 1 | Frame-Bag, Upper |
| 3 | 3290-422 | 2 | Nut-Push |
| 4 | 36-6910 | 2 | Spring |
| 5 | 42-4020 | 1 | Frame-Bag |
| 6 | 106-0926 | 1 | Bag-Grass |
| 7 | 121-1389 | 1 | Door-Bag, Grass |

Attachments and Accessories

For 22196 21in Heavy-Duty Recycler/Rear Bagger Lawn Mower

| Product Name | Model/Part |
|------------------------------------|-------------------|
| Blade-Atomic, 21in | 104-1302 |
| Bag-Large, Walk Behind (Toro)..... | 490-7315 |
| Bag-Walk Behind (Toro)..... | 490-7318 |
| Bag-Large, Walk Behind | 490-7322 |
| Bag-Walk Behind | 490-7325 |
| Cover-Lawnmower | 490-7462 |
| Side Discharge Kit | 59199 |

Notes:

Notes:



Count on it.