



Count on it.

Parts Catalog

**21in Heavy-Duty Recycler®/Rear
Bagger Lawn Mower**

Model No. 22197—Serial No. 313000001 and Up



Ordering Replacement Parts

To order replacement parts, please supply the part number, the quantity, and the description of each part desired.

Understanding Reference Numbers

Each identified part in an illustration has a reference number. The reference number for a part also appears in the parts list, along with other information about the part.

This catalog uses two special reference number formats, one to indicate parts in a service assembly and another to indicate the quantity of a given part in an illustration.

Service Assembly Reference Numbers

Parts in service assemblies have reference numbers in the form a:b. The a represents the reference number of the entire service assembly and the b represents a sequential number unique to each part within the service assembly.

For example, a wheel assembly might be identified by reference number 6, the tire by 6:1, the valve by 6:2, and the wheel by 6:3. When you order the assembly identified by reference number 6, you receive all parts identified by reference numbers 6:1, 6:2, and 6:3. However, you may also order any part individually. Reference numbers of this type appear in illustration and in parts lists.

Reference Numbers Indicating Quantity

In an illustration, if a reference number indicates more than one part, the reference number has the form nX y. The n represents the quantity of the part, the X is the multiplication symbol, and the y represents the reference number.

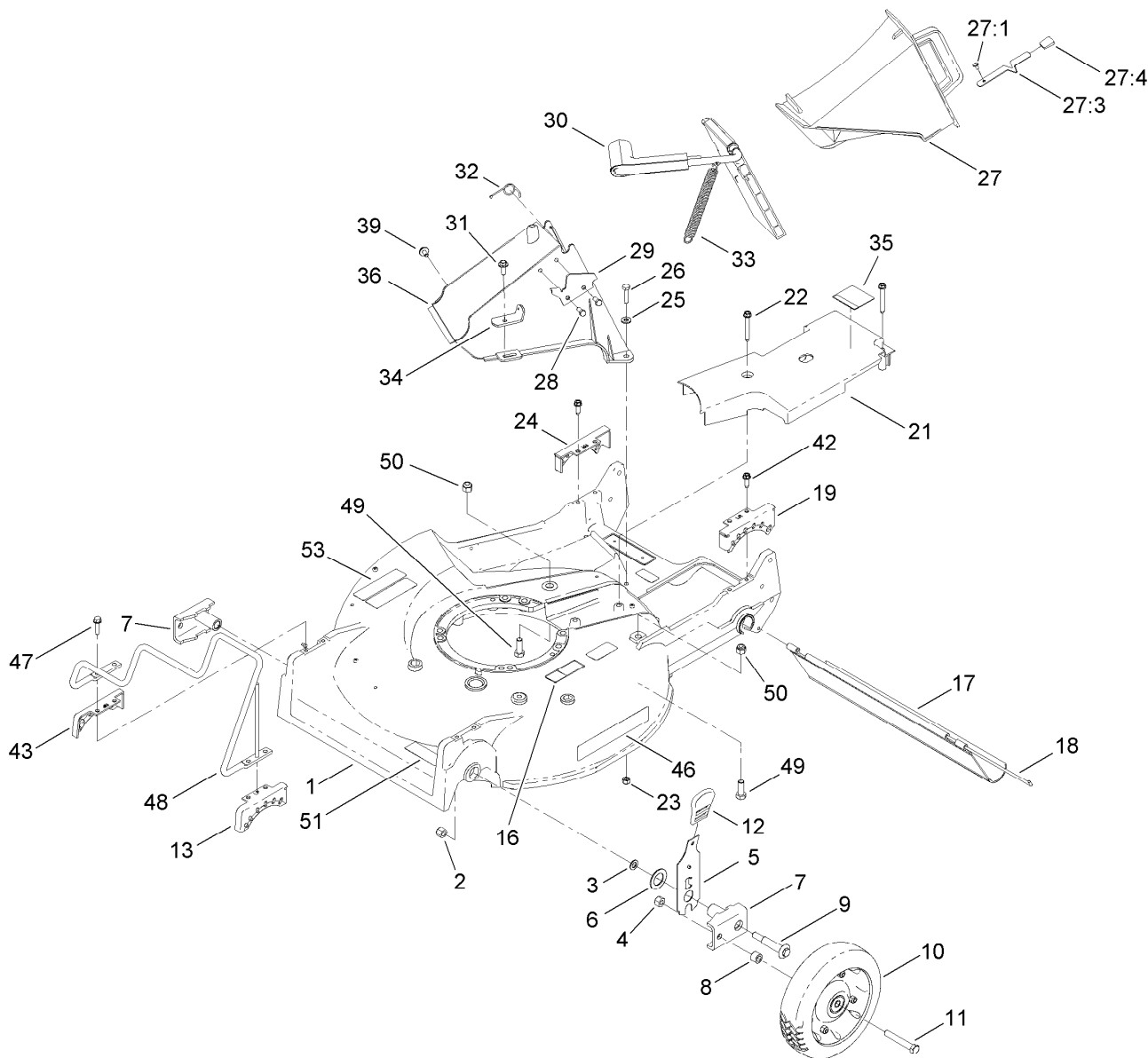
For example, in an illustration, the reference number 2X 37 means that two of the parts identified by reference number 37 are indicated.

List of Abbreviations

AR: as required	HLH: hex lag head	PTO: power-take-off
ASM: assembly	HOC: height-of-cut	RH: right hand
BBC: blade brake control	HSBH: hex socket button head	ROPS: roll-over protection system
BHTF: button head thread forming	HSFH: hex socket flat head	RRB: rear roller brush
CARR: carriage	HSH: hex socket head	SFH: slotted fillister head
CCW: counter clockwise	HWH: hex washer head	SHH: slotted hex head
CW: clockwise	HWHTF: hex washer head thread forming	SHWH: slotted hex washer head
DEG: degrees	HYD: hydraulic	SPH: slotted pan head
DPA: Dual Point Adjustment	LH: left hand	SQH: square head
ECM: electronic control module	LP: Liquefied Petroleum Gas	SRH: slotted round head
EXT: external	LPG: Liquefied Petroleum Gas	STD: standard
FH: flat head	NI: nylon insert	TAP: self tapping
GA: gauge	NPTF: national pipe thread fine	TTH: torx truss head
HD: heavy-duty	PFH: phillips flat head	
HF: hex flange	PPH: phillips pan head	
HH: hex head	PPHTF: phillips pan head thread forming	
HHF: hex head flange	PRH: phillips round head	
HHFTF: hex head flange thread forming	PTH: phillips truss head	
HJ: hex jam		

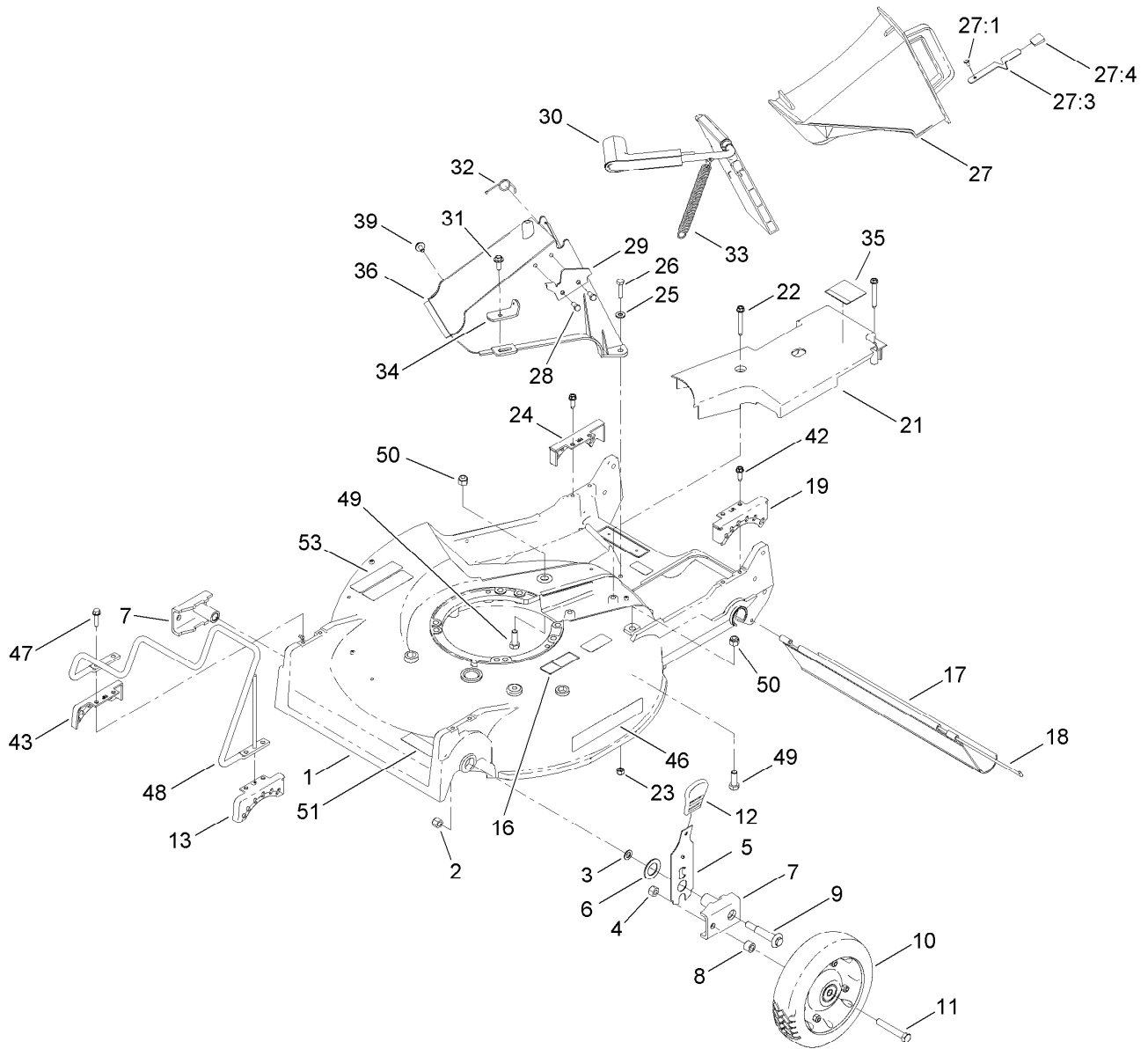
Contents

Housing and Discharge Plug Assembly	4
Housing Assembly No. 98-7139	6
Wheel and Tire Assembly No. 121-1380	7
Engine, Fuel Tank and Blade Assembly	8
Handle Assembly	10
Transmission, Rear Wheel and Height-of-Cut Assembly	12
Wheel and Tire Assembly No. 121-1379	13
Gear Case Assembly No. 74-1860	14
Grass Bag Assembly No. 121-1391	15
Attachments and Accessories	16



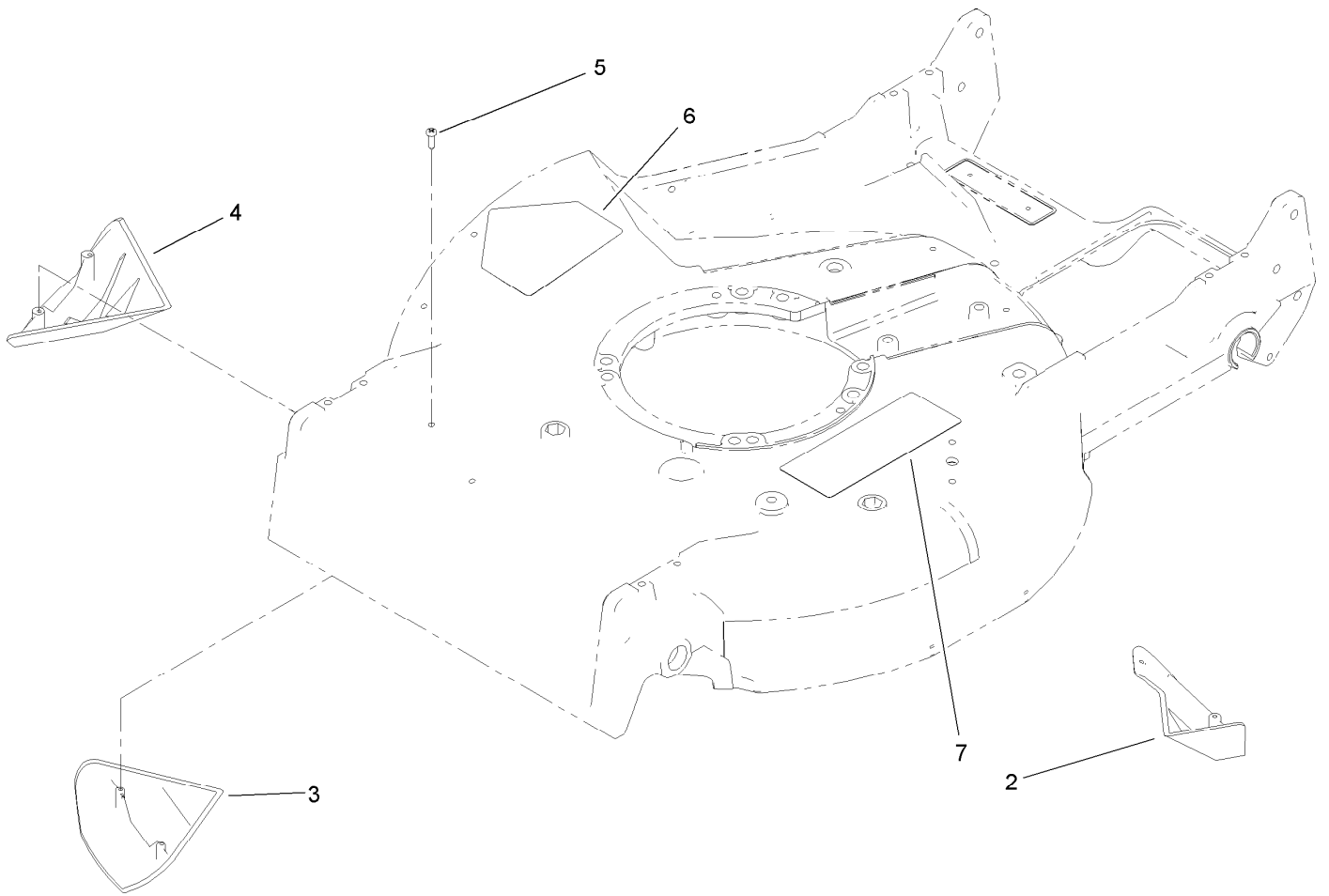
Housing and Discharge Plug Assembly

Ref.	Part Number	Qty.	Description	Ref.	Part Number	Qty.	Description
1	98-7139	1	Housing ASM	25	3256-22	2	Washer-Flat
2	3296-6	2	Nut-Lock	26	321-8	2	Screw-HH
3	40-1940	2	Washer	27	77-0500	1	Discharge Plug ASM
4	32152-2	2	Nut-Lock, Cone	27:1	3295-35	1	Rivet-Head, Flat
5	119-2323	2	Front Spring Arm ASM	27:3	76-4640	1	Latch-Plug, Discharge
6	257-3	2	Washer-Thrust	27:4	76-4650	1	Grip-Latch
7	61-8300	2	Arm-Pivot, Front	28	46-8090	2	Screw-Plastite
8	52-2480	2	Spacer-Wheel	29	93-3154	1	Latch-Plate
9	114-3468	2	Screw-Shoulder	30	93-7351	1	Discharge Door ASM
10	121-1380	2	Wheel And Tire ASM	31	46-6811	1	Screw-HWH
11	323-12	2	Screw-HH	32	80-3770	1	Retainer-Door
12	110-0549	2	Knob-HOC	33	76-4660	1	Spring-Door
13	49-8760	1	Quadrant-Front, LH	34	71-9350	1	Bracket-Spring
16	121-1449	1	Decal-Warning, Block	35	119-7894	1	Decal-Grease
17	112-9989	1	Shield-Trailing	36	82-9152	1	Tunnel-Discharge
18	33-3208	1	Rod-Shield	39	46-6810	1	Screw And Washer ASM
19	49-8740	1	Quadrant-Rear, LH	42	49-2040	4	Screw-HWHTF
21	74-1770	1	Cover-Belt	43	49-8770	1	Quadrant-Front, RH
22	117-5248	2	Screw-HWHTF	46	106-0689	1	Decal
23	3296-42	2	Nut-Lock, NI	47	32144-86	4	Screw-HWHTF
24	49-8750	1	Quadrant-Rear, RH	48	109-7638	1	Guard-Engine



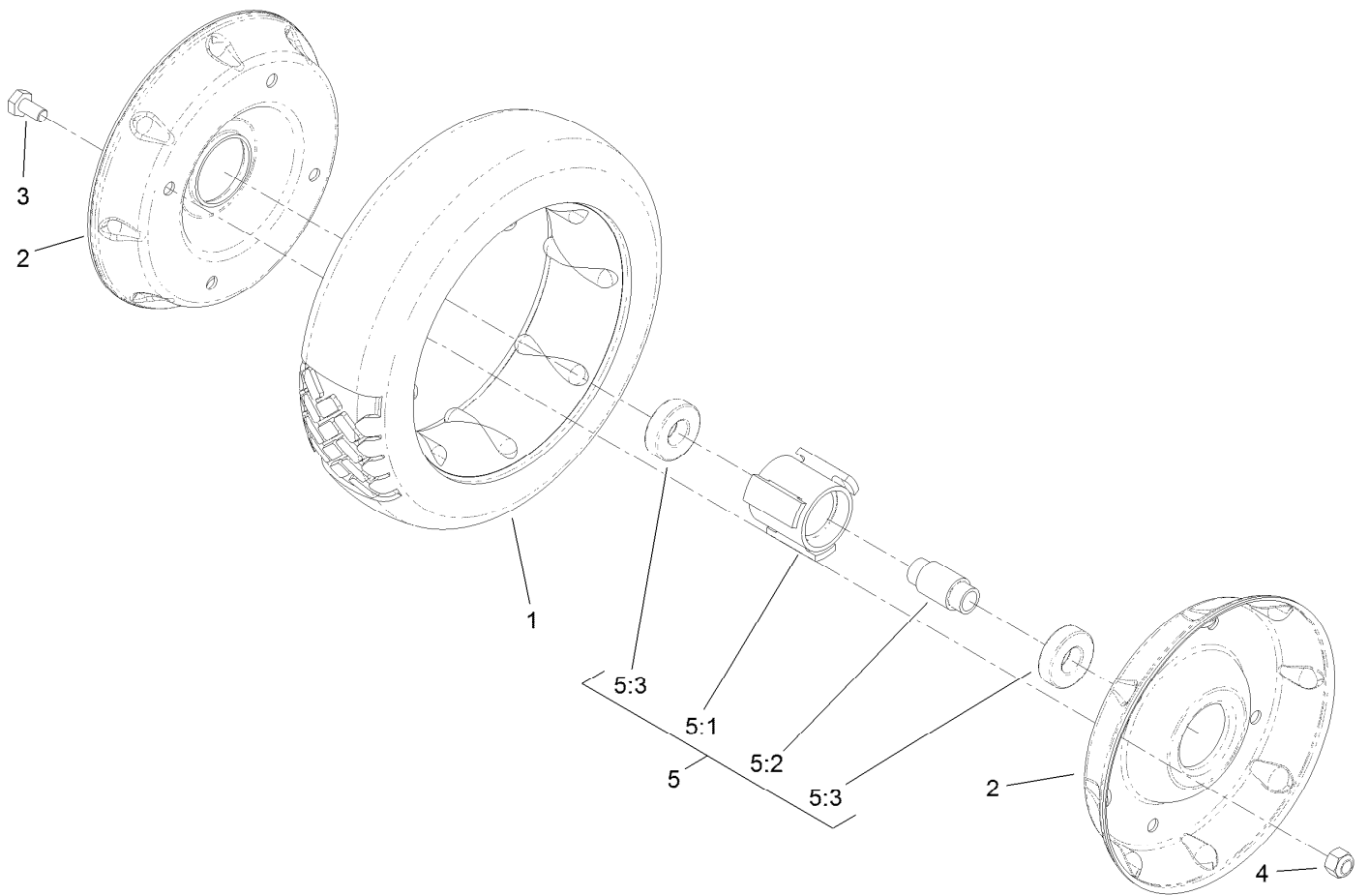
Housing and Discharge Plug Assembly (continued)

<i>Ref.</i>	<i>Part Number</i>	<i>Qty.</i>	<i>Description</i>	<i>Ref.</i>	<i>Part Number</i>	<i>Qty.</i>	<i>Description</i>
49	323-6	2	Screw-HH	51	68-7410	1	Decal-Blade
50	3296-39	2	Nut-Lock, NI	53	117-2718	1	Decal-Arrester, Spark



Housing Assembly No. 98-7139

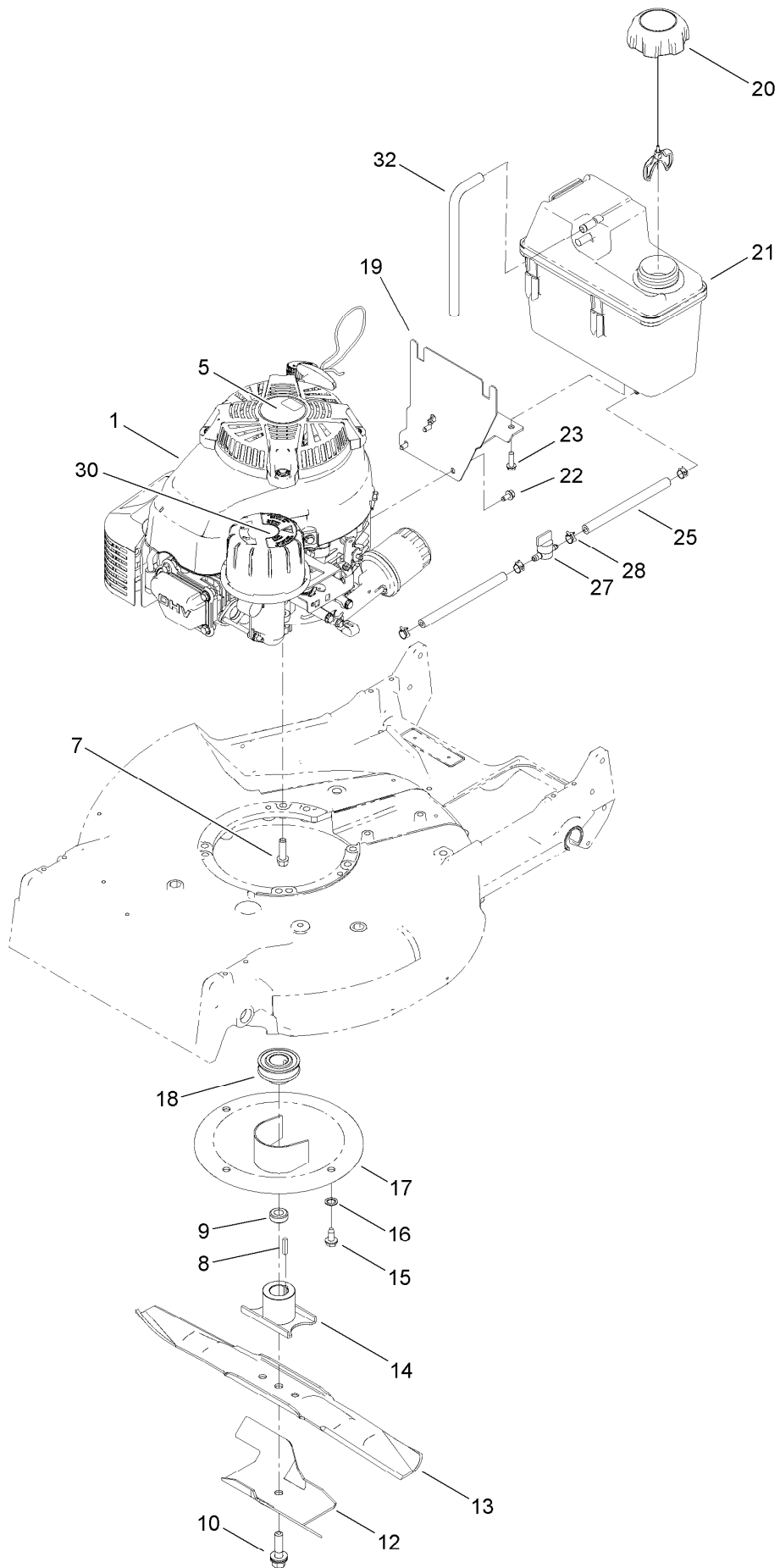
<i>Ref.</i>	<i>Part Number</i>	<i>Qty.</i>	<i>Description</i>
2	92-1750	1	Kicker-Rear
3	92-1720	1	Kicker-Front
4	92-1730	1	Kicker-RH
5	32144-111	6	Screw-PPH
6	94-8072	1	Decal-Danger
7	110-4989	1	Decal-Warning



Wheel and Tire Assembly No. 121-1380

<i>Ref.</i>	<i>Part Number</i>	<i>Qty.</i>	<i>Description</i>
1	53-7740	1	Tire
2	121-1365-06	2	Rim-Half, Wheel
3	321-2	4	Screw-HH
4	3296-42	4	Nut-Lock, NI
5	121-1377	1	Hub And Bearing ASM
5:1	52-2410	1	Hub-Bearing
5:2	52-2440	1	Spacer-Bearing
5:3	109-8020	2	Bearing-Ball

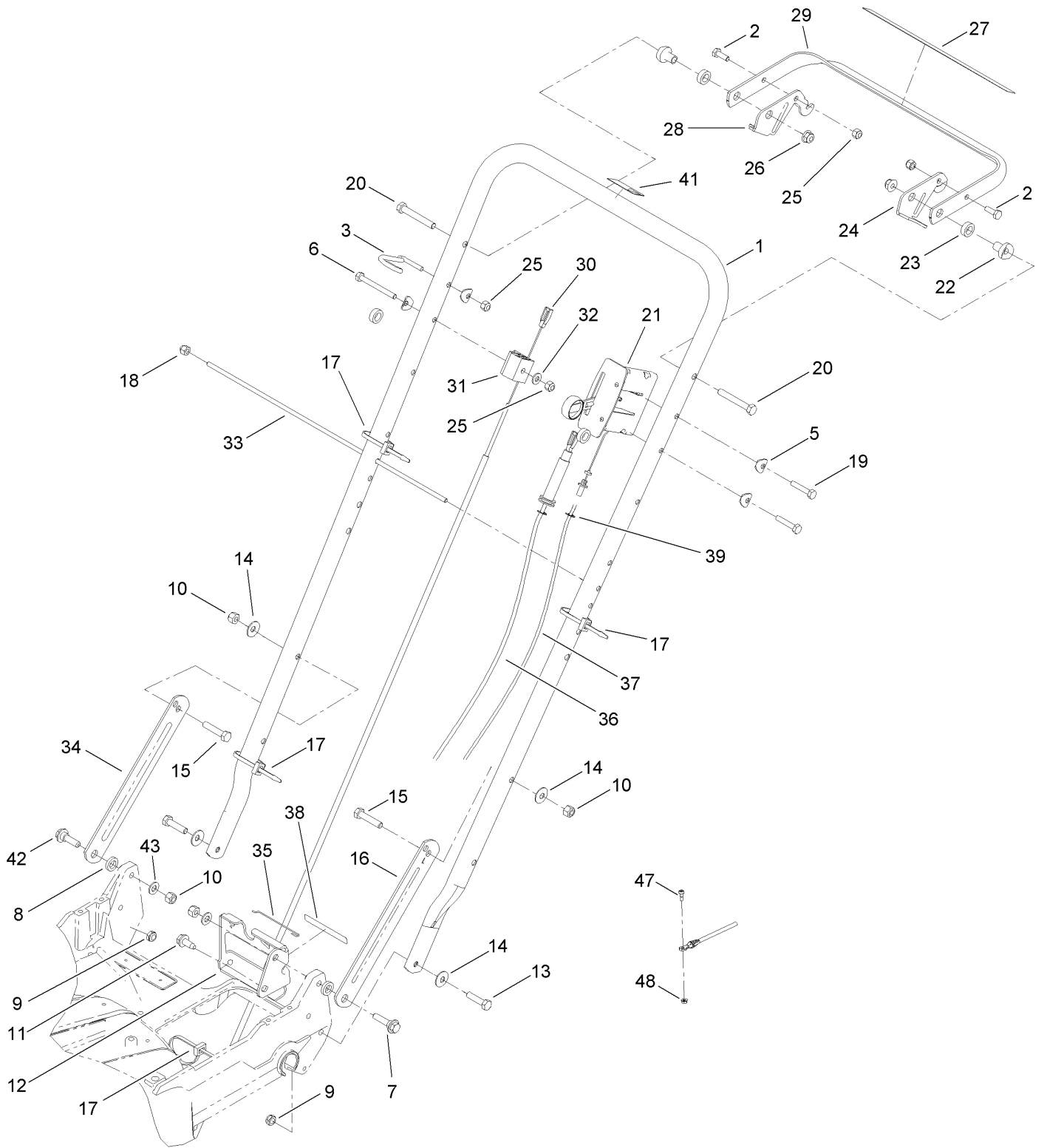
Engine, Fuel Tank and Blade Assembly



Engine, Fuel Tank and Blade Assembly (continued)

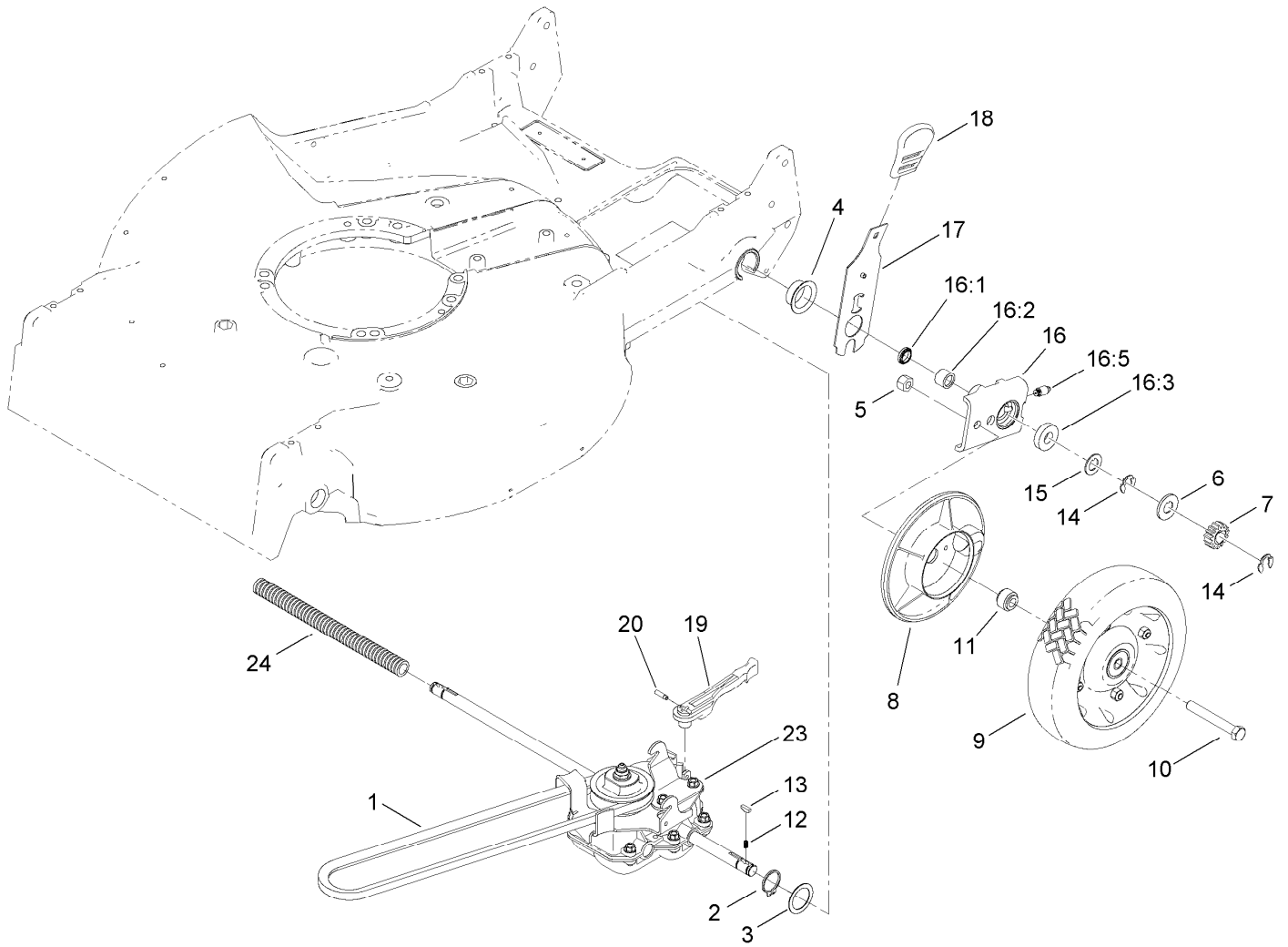
<i>Ref.</i>	<i>Part Number</i>	<i>Qty.</i>	<i>Description</i>	<i>Ref.</i>	<i>Part Number</i>	<i>Qty.</i>	<i>Description</i>
1	121-1404	1	Engine-Kawasaki, Fj180V-Bm08-M	17	121-1360	1	Crankshaft Protector ASM
5	110-0520	1	Decal	18	46-7910	1	Pulley-Driver
7	95-1727	4	Screw-Taptite	19	115-0954-03	1	Tank Mount ASM
8	5-1077	1	Key-Square	20	109-6776	1	Cap-Ratchet, Tethered
9	103-3795	1	Spacer-Retainer, Blade	21	114-0280	1	Tank-Fuel
10	105-8579	1	Bolt-Blade	22	104-2628	3	Screw-HWH
12	92-1599-03	1	Stiffener-Blade	23	46-8091	2	Screw-HWH
13	91-2256-03	1	Blade-21 Inch	25	107-0588	2	Hose-Fuel
14	52-2170-03	1	Retainer-Blade	27	1-603770	1	Valve-Fuel
15	32144-70	3	Screw-HWHTF	28	2412-98	4	Clamp-Hose
16	3254-6	3	Washer-Lock, Internal	30	114-3415	1	Decal
				32	115-0962	1	Hose-Vent, Canister

Handle Assembly



Handle Assembly (continued)

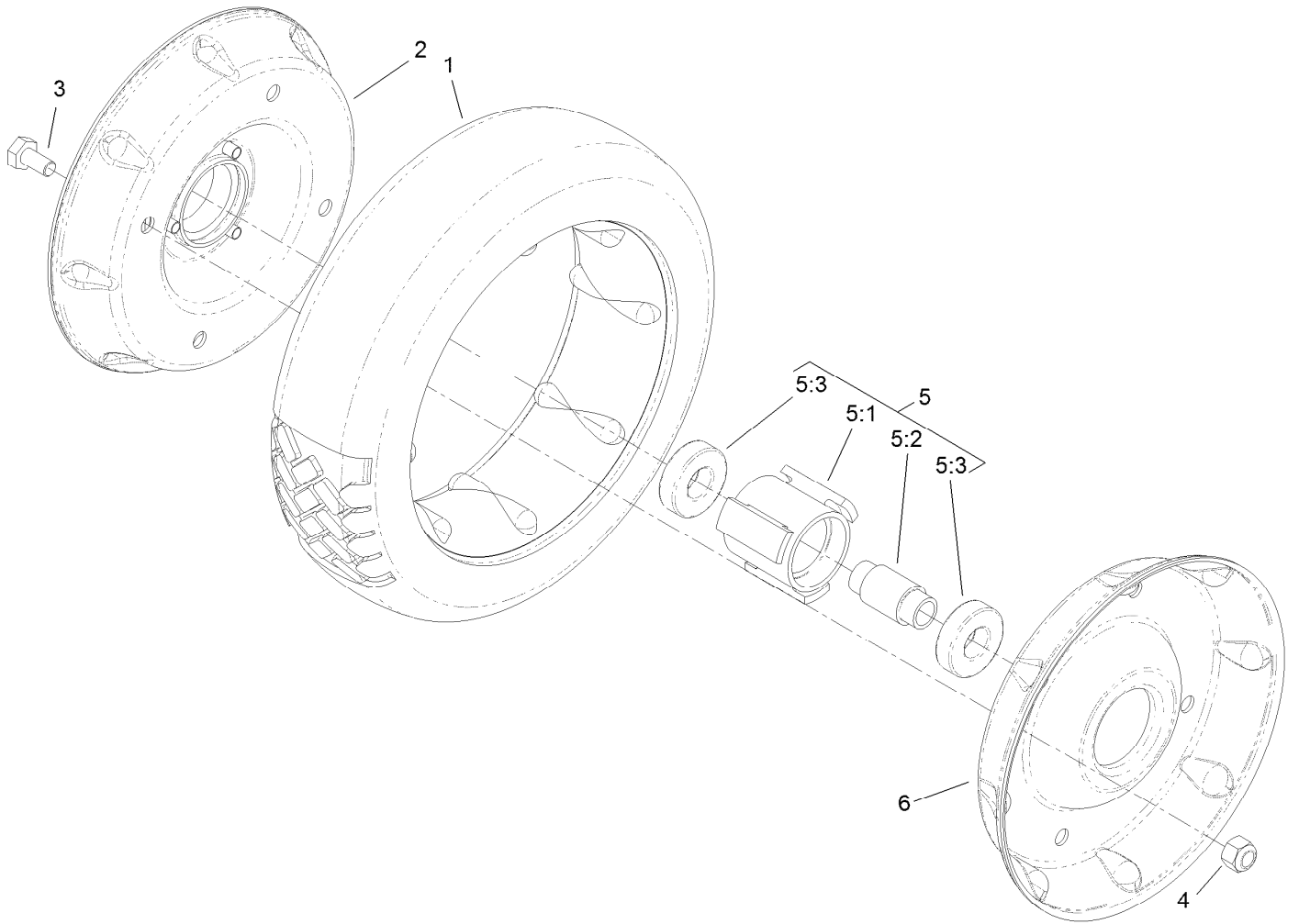
<i>Ref.</i>	<i>Part Number</i>	<i>Qty.</i>	<i>Description</i>	<i>Ref.</i>	<i>Part Number</i>	<i>Qty.</i>	<i>Description</i>
1	98-2000-03	1	Handle	23	256-276	2	Spacer-Nylon
2	321-4	2	Screw-HH	24	66-5350	1	Lever-Control
3	114-2775	1	Guide-Rope	25	3296-42	4	Nut-Lock, NI
5	3-7501	4	Washer	26	104-8300	2	Nut-Flange, NI
6	321-15	1	Screw-HH	27	106-0690	1	Decal-Traction
7	27-7210	1	Screw-Shoulder	28	77-5270	1	Lever-Control
8	3-3287	2	Spacer	29	61-8270-03	1	Bar-Control
9	3296-47	2	Nut-Lock, NI	30	114-3483	1	Cable-Brake, Control
10	3296-29	4	Nut-Lock, NI	31	46-6980	1	Support-Cable
11	32144-70	1	Screw-HWHTF	32	3256-22	1	Washer-Flat
12	74-1741	1	Bracket-Adjustment, Traction	33	48-2810	1	Rod-Support, Bag
13	322-6	2	Screw-HH	34	100-3297-03	1	Latch-Handle, RH
14	3290-456	4	Washer-Belleville	35	46-7030	1	Retainer-Cable
15	322-7	2	Screw-HH	36	74-1791	1	Cable-Traction
16	100-3298-03	1	Latch-Handle, LH	37	106-0888	1	Throttle Cable ASM
17	3290-378	4	Tie-Cable	38	74-1970	1	Decal-Position, Gear
18	32111-7	2	Nut-Cap	39	32151-86	2	E-Ring
19	321-13	2	Screw-HH	41	98-4387	1	Decal-Protection, Ear
20	322-11	2	Screw-HH	42	27-7211	1	Screw-Shoulder
21	108-2645	1	Control-Head, Throttle	43	3256-23	2	Washer-Flat
22	49-1630	2	Spacer-Support	47	94-9422	1	Screw-Shoulder
				48	32128-17	1	Nut-Lock, Flange



Transmission, Rear Wheel and Height-of-Cut Assembly

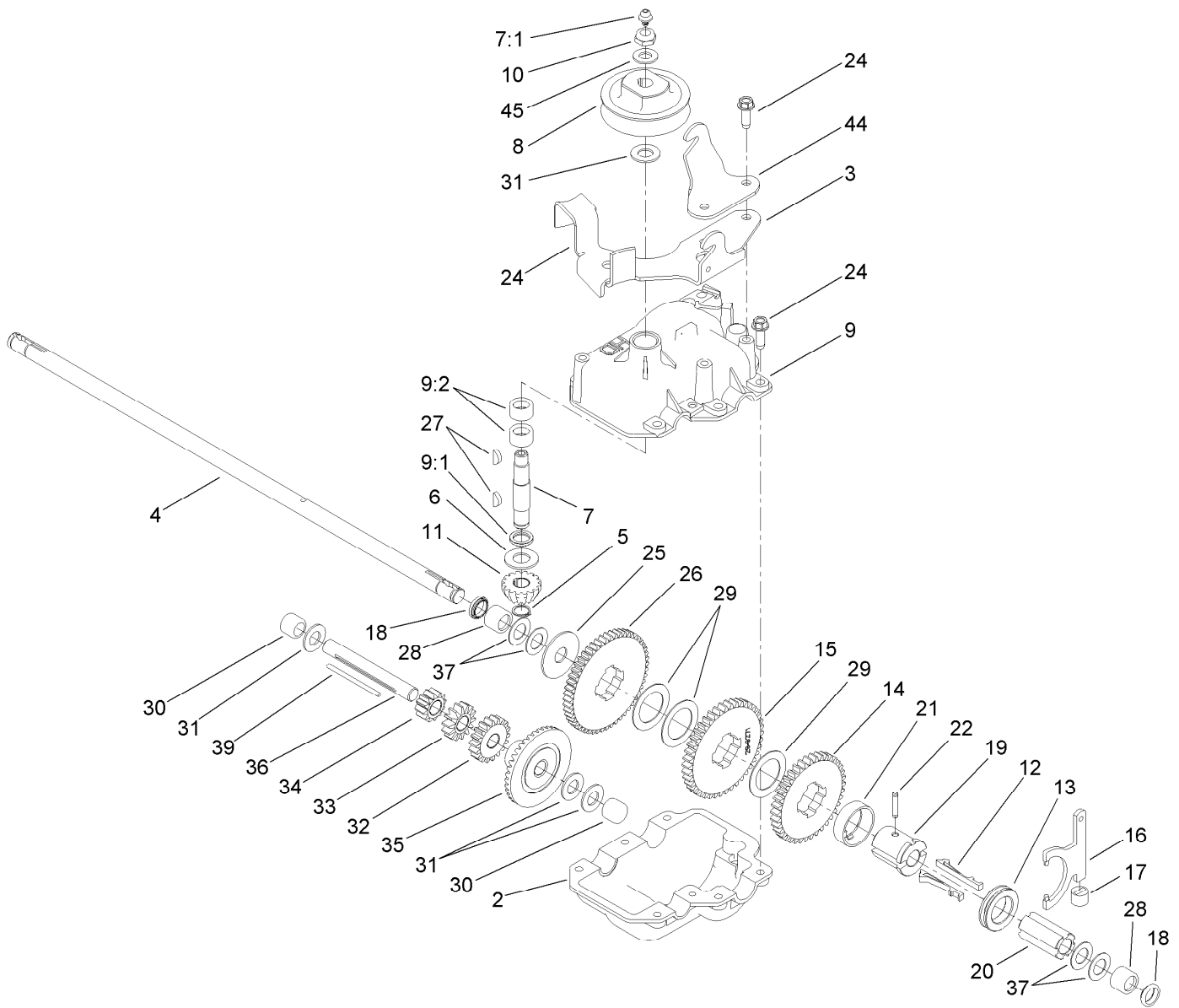
Ref.	Part Number	Qty.	Description	Ref.	Part Number	Qty.	Description
1	36-8070	1	V-Belt	15	49-7700	2	Washer-Thrust, Outer
2	32151-36	2	Ring-Retaining	16	74-1851	2	Pivot Arm ASM
3	74-1810	2	Washer	16:1	47-6730	1	Seal-Oil
4	48-2170	2	Cap-End	16:2	117-3500	1	Bearing-Caged Needle Roller
5	32152-2	2	Nut-Lock, Cone	16:3	52-2450	1	Bearing-Wheel
6	62-3830	2	Washer-Thrust, Outer	16:5	92-6316	1	Zerk
7	39-9160	2	Gear-Pinion	17	119-2324	2	Rear Spring Arm ASM
8	74-1640	2	Cover-Wheel	18	110-0549	2	Knob-HOC
9	121-1379	2	Wheel And Tire ASM	19	74-1960	1	Lever-Shift
10	323-13	2	Screw-HH	20	32121-99	1	Pin-Coil
11	74-1650	2	Spacer-Cover, Wheel	23	74-1860	1	Gear Case ASM
12	39-9650	2	Spring-Compression	24	121-1357	1	Cover-Shaft, Drive
13	612066	2	Key	99	121-1391	1	Grass Bag ASM ●
14	32151-68	4	Ring-Retaining				

● Not illustrated



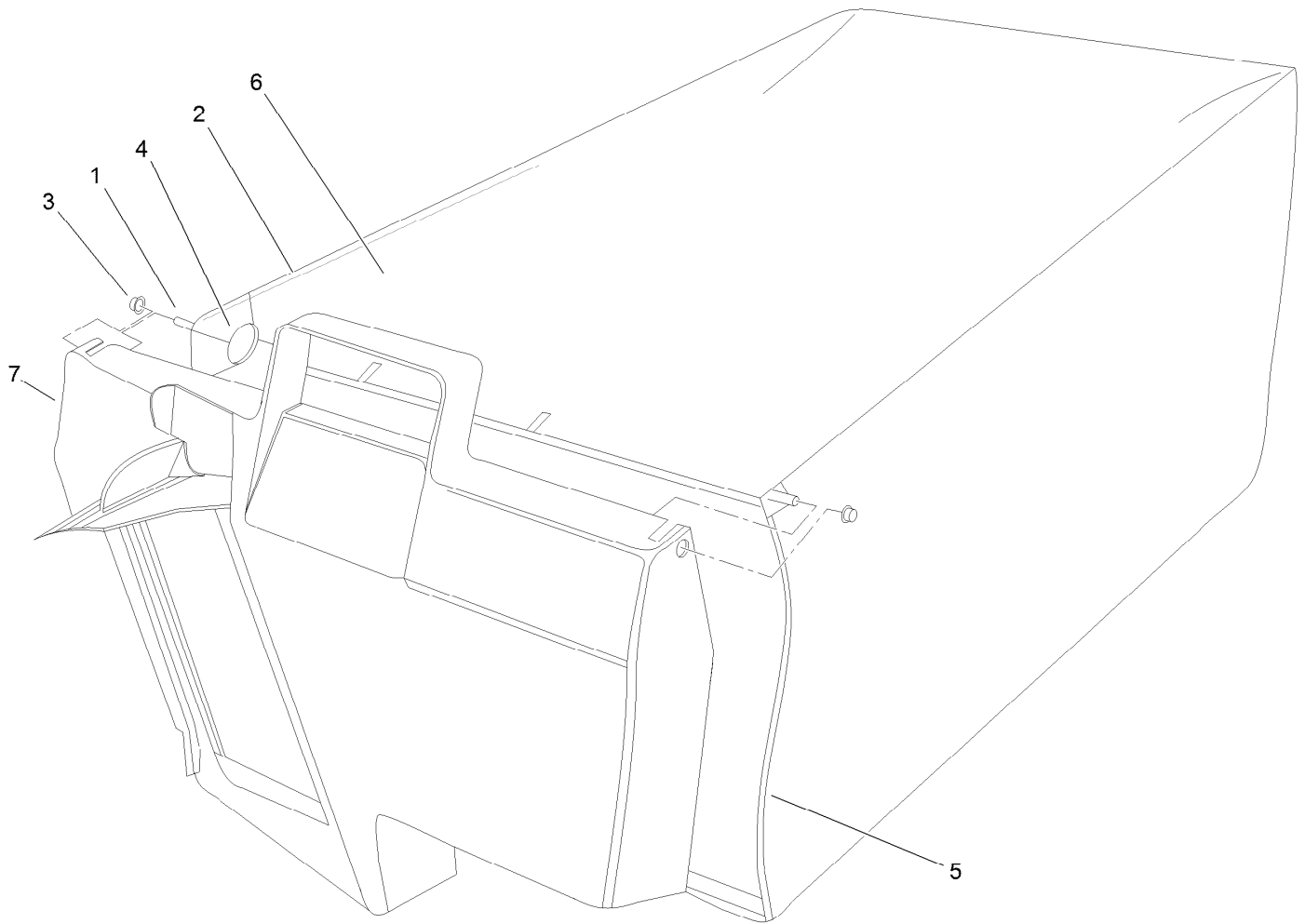
Wheel and Tire Assembly No. 121-1379

<i>Ref.</i>	<i>Part Number</i>	<i>Qty.</i>	<i>Description</i>
1	53-7740	1	Tire
2	121-1378-06	1	Wheel Half And Gear ASM
3	321-2	4	Screw-HH
4	3296-42	4	Nut-Lock, NI
5	121-1377	1	Hub And Bearing ASM
5:1	52-2410	1	Hub-Bearing
5:2	52-2440	1	Spacer-Bearing
5:3	109-8020	2	Bearing-Ball
6	121-1365-06	1	Rim-Half, Wheel



Gear Case Assembly No. 74-1860

Ref.	Part Number	Qty.	Description	Ref.	Part Number	Qty.	Description
2	119-7863	1	Gear Case-Lower	20	39-6720	1	Sleeve
3	49-8461-03	1	Bracket-Guide, Belt	21	55-8020	1	Retainer-Key
4	74-1890	1	Shaft-Output	22	3285-19	1	Pin-Groove
5	32151-57	1	Ring-Retaining	24	49-2040	8	Screw-HWHTF
6	47-2910	1	Washer-Thrust	25	29-9690	1	Washer
7	13-5149	1	Input Shaft ASM	26	46-3560	1	Gear
7:1	302-63	1	Zerk	27	3257-1	2	Key-Woodruff
8	39-6740	1	Pulley	28	117-3500	2	Bearing-Caged Needle Roller
9	13-9739	1	Upper Gearcase ASM	29	36-4770	3	Washer
9:1	47-7260	1	Seal	30	252-103	2	Bearing-Needle, Closed
9:2	47-7270	2	Bearing-Needle	31	36-4792	4	Washer-Thrust
10	3296-5	1	Nut-Lock	32	39-6650	1	Gear-18T
11	39-6660	1	Pinion-Bevel	33	46-3550	1	Gear-14T
12	29-9330	2	Key-Shift	34	46-3540	1	Gear-12T
13	29-9340	1	Collar-Shift	35	74-1760	1	Gear-Bevel
14	42-4740	1	Gear-38T	36	53-7950	1	Shaft-Intermediate
15	29-9271	1	Gear-42T	37	36-4780	4	Washer-Plain
16	60-8870	1	Yoke-Shift	39	39-7842	1	Key
17	29-9570	1	Bushing-Yoke	44	74-1750-03	1	Bracket-Engage, Traction
18	47-6730	2	Seal-Oil	45	3256-45	1	Washer-Flat
19	55-8010	1	Sleeve-Gear				



Grass Bag Assembly No. 121-1391

<i>Ref.</i>	<i>Part Number</i>	<i>Qty.</i>	<i>Description</i>
1	33-4820	1	Hinge-Door, Bag
2	121-1388	1	Frame-Bag, Upper
3	3290-422	2	Nut-Push
4	36-6910	2	Spring
5	42-4020	1	Frame-Bag
6	106-0926	1	Bag-Grass
7	121-1389	1	Door-Bag, Grass

Attachments and Accessories

For 22197 21in Heavy-Duty Recycler/Rear Bagger Lawn Mower

Product Name	Model/Part
Blade-Atomic, 21in	104-1302
Bag-Large, Walk Behind (Toro).....	490-7315
Bag-Walk Behind (Toro).....	490-7318
Bag-Large, Walk Behind	490-7322
Bag-Walk Behind	490-7325
Cover-Lawnmower	490-7462
Side Discharge Kit	59199

Notes:

Notes:

Notes:



Count on it.