



Count on it.

Parts Catalog

MM-658H-P Mortar Mixer

Model No. 68017—Serial No. 313000001 and Up



Ordering Replacement Parts

To order replacement parts, please supply the part number, the quantity, and the description of each part desired.

Understanding Reference Numbers

Each identified part in an illustration has a reference number. The reference number for a part also appears in the parts list, along with other information about the part.

This catalog uses two special reference number formats, one to indicate parts in a service assembly and another to indicate the quantity of a given part in an illustration.

Service Assembly Reference Numbers

Parts in service assemblies have reference numbers in the form a:b. The a represents the reference number of the entire service assembly and the b represents a sequential number unique to each part within the service assembly.

For example, a wheel assembly might be identified by reference number 6, the tire by 6:1, the valve by 6:2, and the wheel by 6:3. When you order the assembly identified by reference number 6, you receive all parts identified by reference numbers 6:1, 6:2, and 6:3. However, you may also order any part individually. Reference numbers of this type appear in illustration and in parts lists.

Reference Numbers Indicating Quantity

In an illustration, if a reference number indicates more than one part, the reference number has the form nX y. The n represents the quantity of the part, the X is the multiplication symbol, and the y represents the reference number.

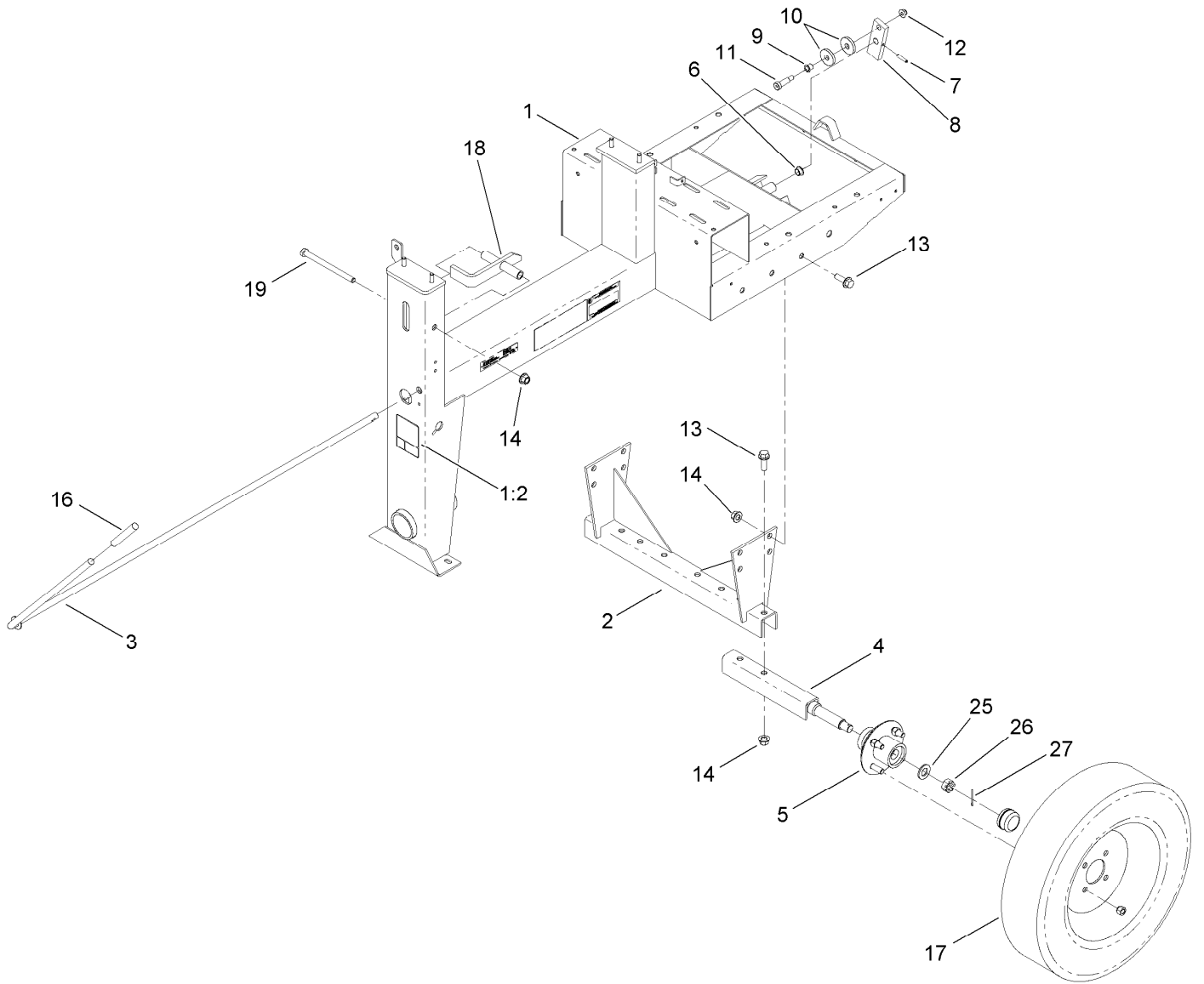
For example, in an illustration, the reference number 2X 37 means that two of the parts identified by reference number 37 are indicated.

List of Abbreviations

AR: as required	HLH: hex lag head	PTO: power-take-off
ASM: assembly	HOC: height-of-cut	RH: right hand
BBC: blade brake control	HSBH: hex socket button head	ROPS: roll-over protection system
BHTF: button head thread forming	HSFH: hex socket flat head	RRB: rear roller brush
CARR: carriage	HSH: hex socket head	SFH: slotted fillister head
CCW: counter clockwise	HWH: hex washer head	SHH: slotted hex head
CW: clockwise	HWHTF: hex washer head thread forming	SHWH: slotted hex washer head
DEG: degrees	HYD: hydraulic	SPH: slotted pan head
DPA: Dual Point Adjustment	LH: left hand	SQH: square head
ECM: electronic control module	LP: Liquefied Petroleum Gas	SRH: slotted round head
EXT: external	LPG: Liquefied Petroleum Gas	STD: standard
FH: flat head	NI: nylon insert	TAP: self tapping
GA: gauge	NPTF: national pipe thread fine	TTH: torx truss head
HD: heavy-duty	PFH: phillips flat head	
HF: hex flange	PPH: phillips pan head	
HH: hex head	PPHTF: phillips pan head thread forming	
HHF: hex head flange	PRH: phillips round head	
HHFTF: hex head flange thread forming	PTH: phillips truss head	
HJ: hex jam		

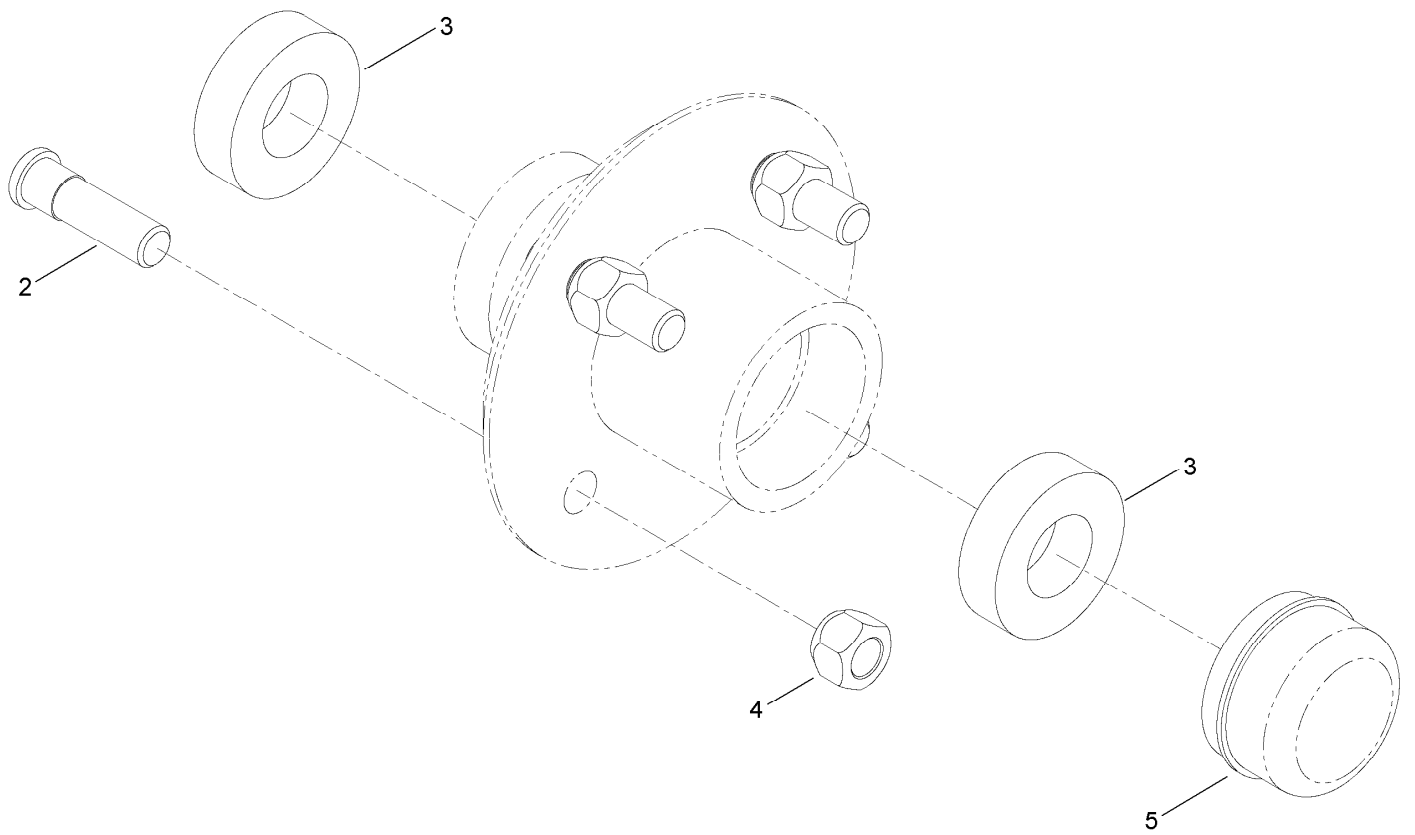
Contents

Frame and Axle Assembly	4
Hub Assembly No. 125-8171	5
Drum Assembly	6
Engine and Pinion Assembly	8
Pinion Assembly No. ST21471	9
Cowl Assembly	10
Attachments and Accessories	11



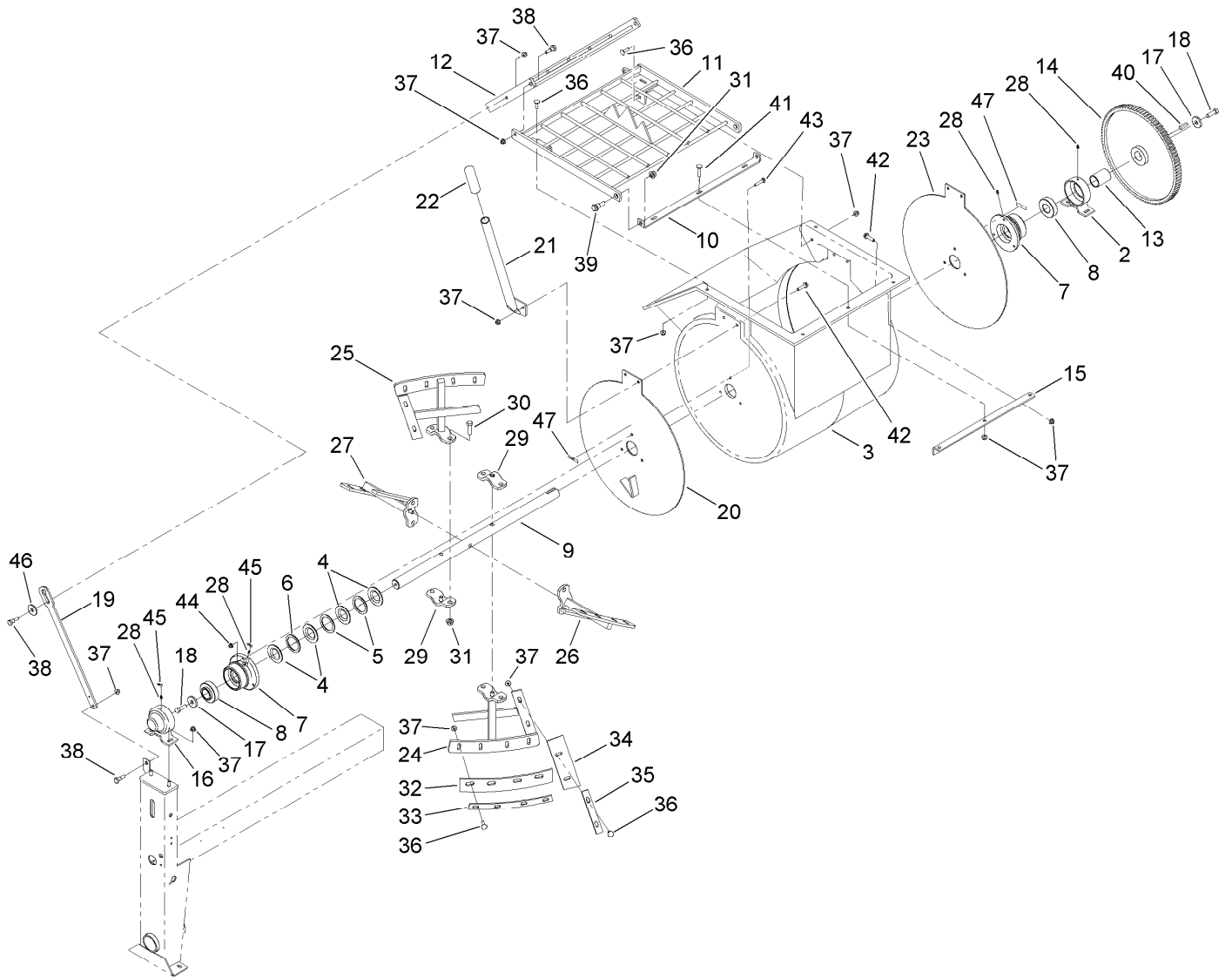
Frame and Axle Assembly

<i>Ref.</i>	<i>Part Number</i>	<i>Qty.</i>	<i>Description</i>	<i>Ref.</i>	<i>Part Number</i>	<i>Qty.</i>	<i>Description</i>
1	127-1680	1	Frame ASM	11	ST81153	1	Screw-HSBH
1:2	125-8216	1	Decal-Safety Chain, Towing	12	104-8301	1	Nut-Flange, NI
2	125-8219-03	1	Support-Axle	13	100-6116	8	Screw-HHF
3	ST39568-03	1	Lever-Clutch	14	99-5107	9	Nut-Lock
4	ST22512-03	2	Axle-Half	16	ST34687	1	Grip-Handle
5	125-8171	2	Hub	17	ST32306	2	Tire And Rim ASM
6	ST32116	1	Bushing-Flange	18	ST24027-03	1	Latch-Drum
7	32121-69	1	Pin-Spring	19	325-33	1	Screw-HH
8	ST39446-03	1	Link-Clutch	25	3256-28	2	Washer-Flat
9	ST32099	1	Bushing-Flange	26	ST80054	2	Nut
10	ST26326	2	Washer-Flat	27	3272-13	2	Pin-Cotter



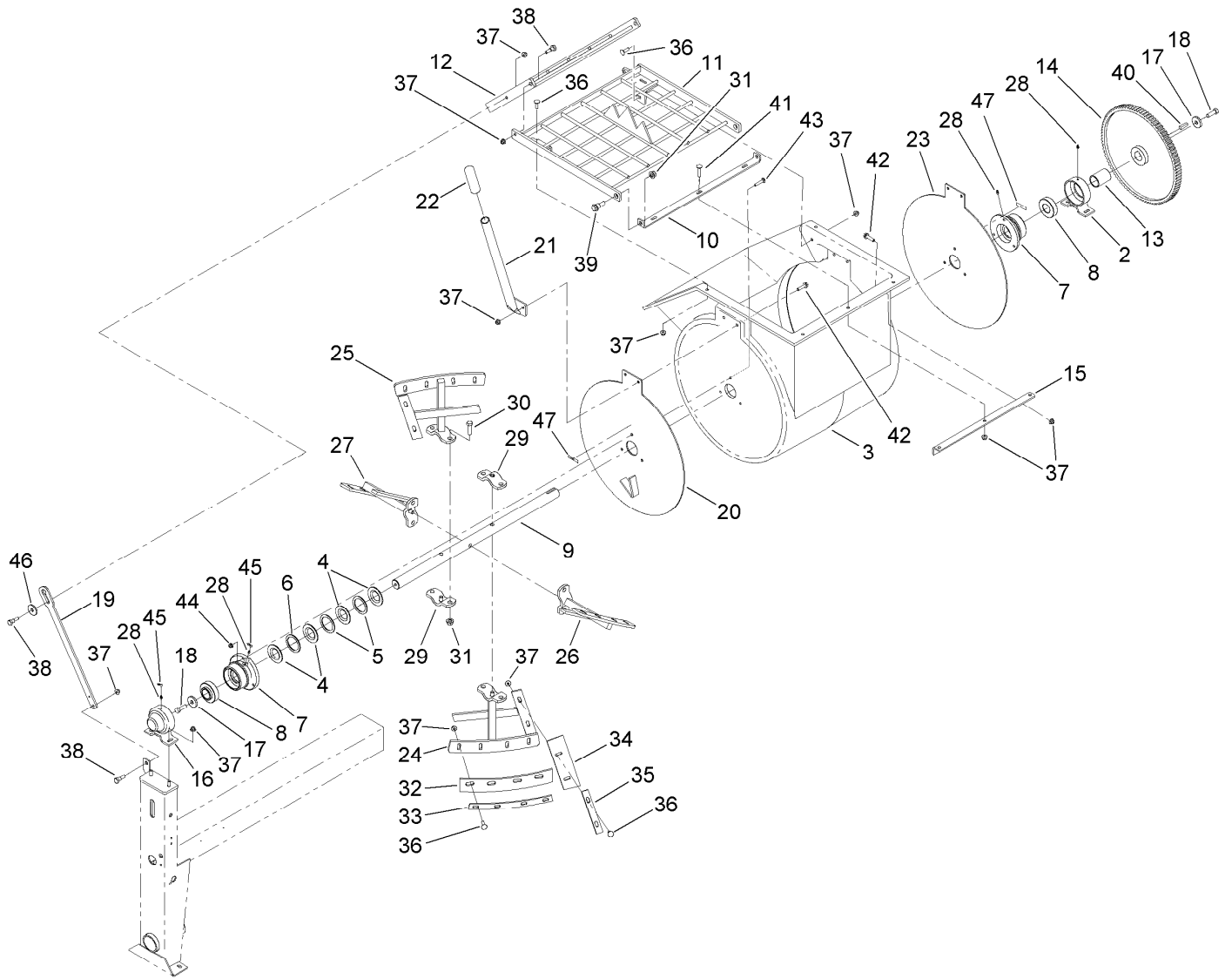
Hub Assembly No. 125-8171

<i>Ref.</i>	<i>Part Number</i>	<i>Qty.</i>	<i>Description</i>
2	ST39190	4	Stud-Wheel
3	ST32233	2	Bearing-Roller
4	ST80045	4	Nut-Lug
5	ST34573	1	Cap-Dust



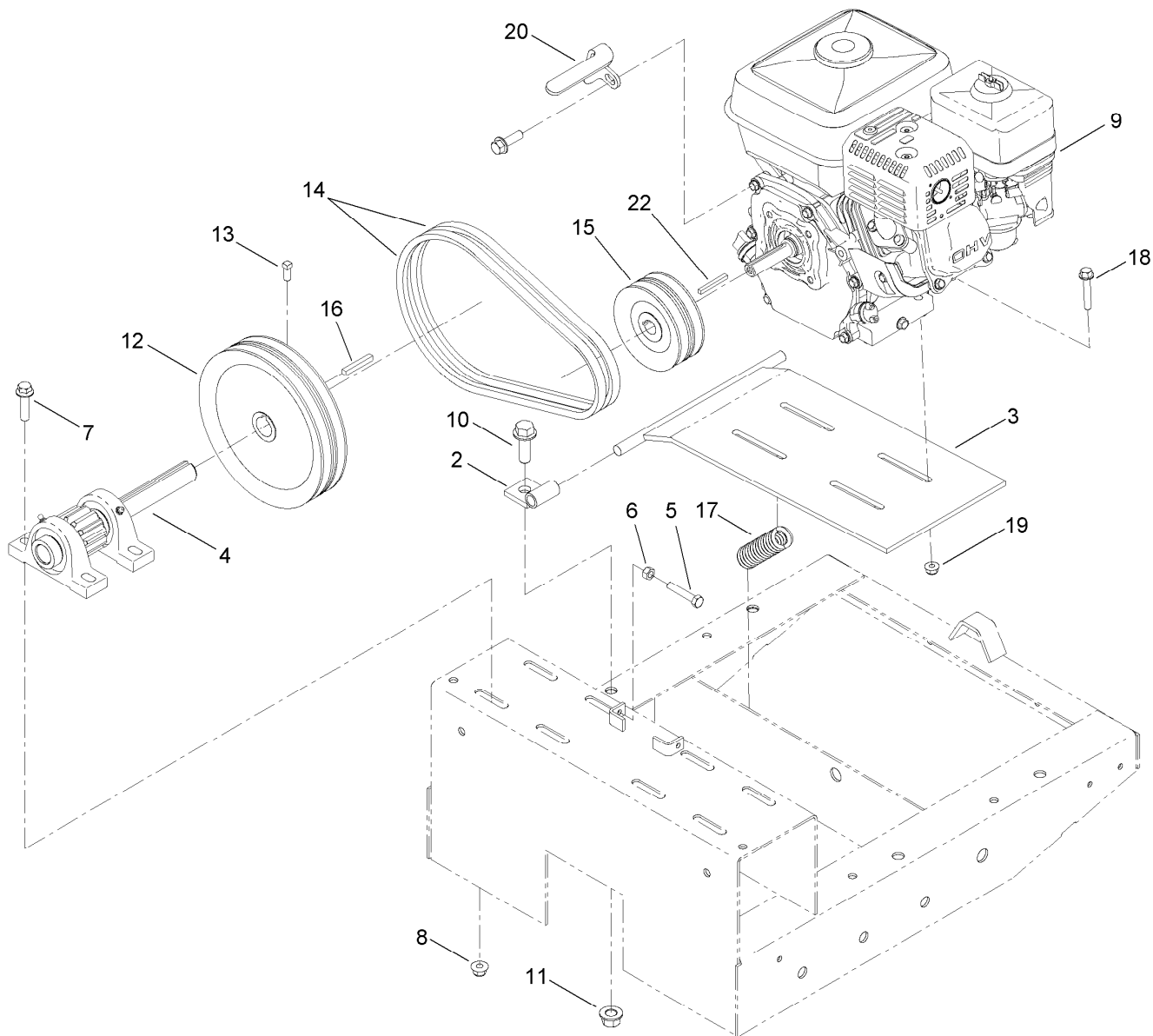
Drum Assembly

Ref.	Part Number	Qty.	Description	Ref.	Part Number	Qty.	Description
2	ST24021-03	1	Trunnion	23	ST45846-01	1	End-Drum
3	127-2876	1	Drum	24	ST45848-01	1	Paddle
4	ST32324	8	Seal-Drum	25	ST45849-01	1	Paddle
5	ST24017	4	Washer-Flat	26	ST45852-01	1	Paddle
6	ST25881	2	Washer-Split	27	ST45853-01	1	Paddle
7	ST32326-01	2	Housing-Bearing	28	ST46042	4	Fitting-Grease
8	ST32003	2	Bearing-Ball	29	ST24107-01	2	Clamp
9	ST45844-01	1	Shaft-Drum	30	325-7	6	Screw-HH
10	ST45838-01	1	Bracket-Guard, Mount	31	99-5107	8	Nut-Lock
11	125-6288-01	1	Guard-Drum	32	ST24106	4	Blade-Rubber, Long
12	125-6289-01	1	Guard-Moveable	33	ST24104-01	4	Bar-Backer, Long
13	ST25928	1	Spacer-Shaft	34	ST47331	2	Blade-Rubber, Short
14	ST26933-03	1	Gear-94 Teeth	35	ST42707-01	2	Bar-Backer, Side
15	ST45856-01	1	Bracket-Support, Guard	36	3231-25	24	Bolt-CARR
16	ST36574-03	1	Trunnion-Capped	37	104-8301	43	Nut-Flange, NI
17	ST26326	2	Washer-Flat	38	80-1300	4	Bolt-Shoulder
18	325-6	2	Screw-HH	39	116-0780	2	Screw-HHF, Shoulder
19	125-6290-03	1	Bar-Guard, Lifter	40	ST81060	1	Key-Square
20	ST45845-01	1	End-Drum	41	3231-5	3	Screw-CARR
21	ST24406-01	1	Handle	42	114-4681	8	Screw-HHF
22	ST47023	1	Grip-Hand	43	3230-5	6	Screw-CARR



Drum Assembly (continued)

<i>Ref.</i>	<i>Part Number</i>	<i>Qty.</i>	<i>Description</i>	<i>Ref.</i>	<i>Part Number</i>	<i>Qty.</i>	<i>Description</i>
44	104-8300	6	Nut-Flange, NI	46	106-2008	1	Washer-Thrust
45	ST47001	4	Cap-Plug	47	125-8175	2	Decal-Grease

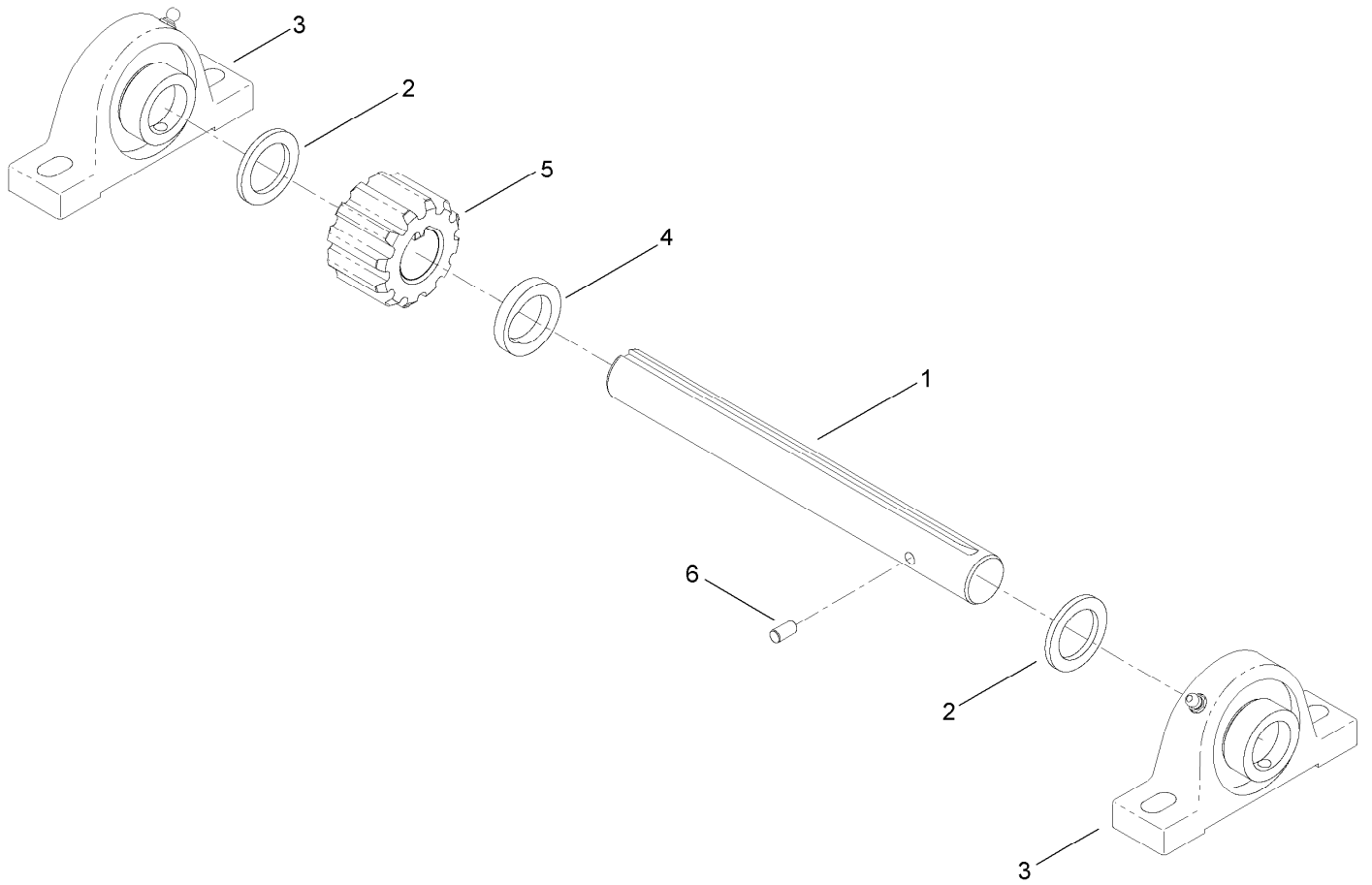


Engine and Pinion Assembly

Ref.	Part Number	Qty.	Description
2	ST57786-03	2	Mount-Motor
3	ST39557-03	1	Base-Motor
4	ST21471	1	Pinion ASM
5	322-41	1	Screw-HH
6	3217-6	1	Nut-Hex
7	114-4681	4	Screw-HHF
8	104-8301	4	Nut-Flange, NI
9	125-4812	1	Engine-Honda, Gx240 ●
10	100-6116	2	Screw-HHF
11	99-5107	2	Nut-Lock

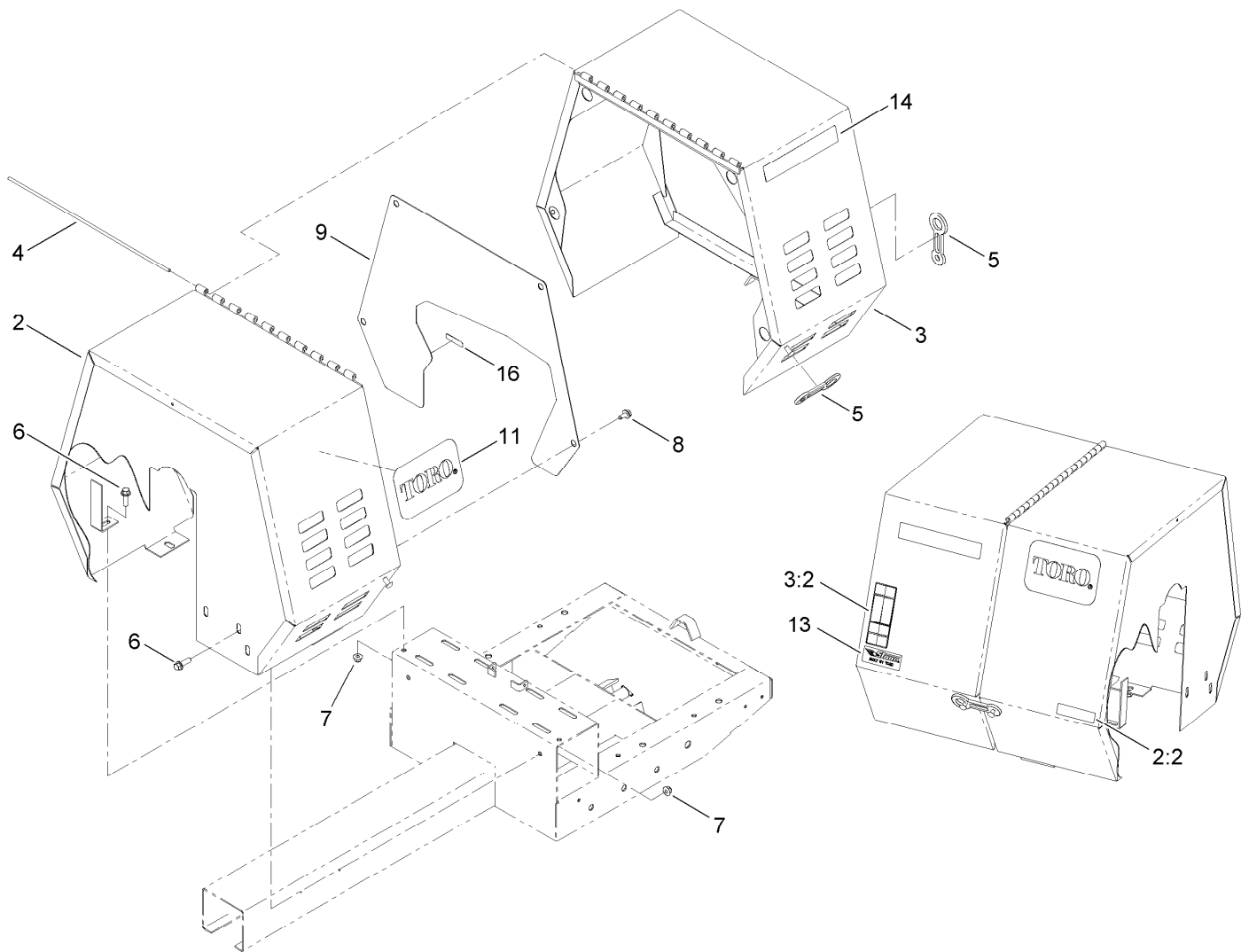
Ref.	Part Number	Qty.	Description
12	ST38450	1	Sheave
13	120-6474	2	Screw-Set, SQH
14	ST34052	2	Belt-V
15	ST38449	1	Sheave
16	7-0238	1	Key-Square
17	ST34849	1	Spring
18	114-4681	4	Screw-HHF
19	104-8301	4	Nut-Flange, NI
20	127-1665-03	1	Guide-Belt
22	7-0238	1	Key-Square

● Obtain parts from www.honda-engines.com



Pinion Assembly No. ST21471

<i>Ref.</i>	<i>Part Number</i>	<i>Qty.</i>	<i>Description</i>
1	ST24036	1	Shaft-Pinion
2	ST24622	2	Washer-Flat
3	ST32208	2	Bearing-Block, Pillow
4	ST38122	1	Washer
5	ST57625	1	Gear-Spur
6	95-0715	1	Pin-Dowel



Cowl Assembly

Ref.	Part Number	Qty.	Description
2	127-1683	1	Stationary Cowl ASM
2:2	117-2718	1	Decal-Arrester, Spark
3	127-1685	1	Movable Cowl ASM
3:2	125-4939	1	Decal-Warning
4	ST44368	1	Pin
5	ST47182	3	Latch-Rubber
6	3234-24	6	Screw-HHF
7	104-8301	6	Nut-Flange, NI
8	110-9380	4	Screw-HWH
9	125-6214-03	1	Plate-Access, Belt
11	67-7320	2	Decal
13	125-4942	1	Decal
14	125-4949	2	Decal-Mm-658H
16	125-8175	1	Decal-Grease

Attachments and Accessories

For 68017 MM-658H-P Mortar Mixer

Product Name	Model/Part
31 inch Forged Tow Pole Hitch	68056
31 inch Pintel Tow Pole Hitch	68058
31 inch Stamped Tow Pole Hitch	68060
Trailer Light Kit.....	68062



Count on it.