



Count on it.

Parts Catalog

MM-858H-S Mortar Mixer

Model No. 68020—Serial No. 313000001 and Up



Ordering Replacement Parts

To order replacement parts, please supply the part number, the quantity, and the description of each part desired.

Understanding Reference Numbers

Each identified part in an illustration has a reference number. The reference number for a part also appears in the parts list, along with other information about the part.

This catalog uses two special reference number formats, one to indicate parts in a service assembly and another to indicate the quantity of a given part in an illustration.

Service Assembly Reference Numbers

Parts in service assemblies have reference numbers in the form a:b. The a represents the reference number of the entire service assembly and the b represents a sequential number unique to each part within the service assembly.

For example, a wheel assembly might be identified by reference number 6, the tire by 6:1, the valve by 6:2, and the wheel by 6:3. When you order the assembly identified by reference number 6, you receive all parts identified by reference numbers 6:1, 6:2, and 6:3. However, you may also order any part individually. Reference numbers of this type appear in illustration and in parts lists.

Reference Numbers Indicating Quantity

In an illustration, if a reference number indicates more than one part, the reference number has the form nX y. The n represents the quantity of the part, the X is the multiplication symbol, and the y represents the reference number.

For example, in an illustration, the reference number 2X 37 means that two of the parts identified by reference number 37 are indicated.

List of Abbreviations

AR: as required

ASM: assembly

BBC: blade brake control

BHTF: button head thread forming

CARR: carriage

CCW: counter clockwise

CW: clockwise

DEG: degrees

DPA: Dual Point Adjustment

ECM: electronic control module

EXT: external

FH: flat head

GA: gauge

HD: heavy-duty

HF: hex flange

HH: hex head

HHF: hex head flange

HHFTF: hex head flange thread forming

HJ: hex jam

HLH: hex lag head

HOC: height-of-cut

HSBH: hex socket button head

HSFH: hex socket flat head

HSH: hex socket head

HWH: hex washer head

HWHTF: hex washer head thread forming

HYD: hydraulic

LH: left hand

LP: Liquefied Petroleum Gas

LPG: Liquefied Petroleum Gas

NI: nylon insert

NPTF: national pipe thread fine

PFH: phillips flat head

PPH: phillips pan head

PPHTF: phillips pan head thread forming

PRH: phillips round head

PTH: phillips truss head

PTO: power-take-off

RH: right hand

ROPS: roll-over protection system

RRB: rear roller brush

SFH: slotted fillister head

SHH: slotted hex head

SHWH: slotted hex washer head

SPH: slotted pan head

SQH: square head

SRH: slotted round head

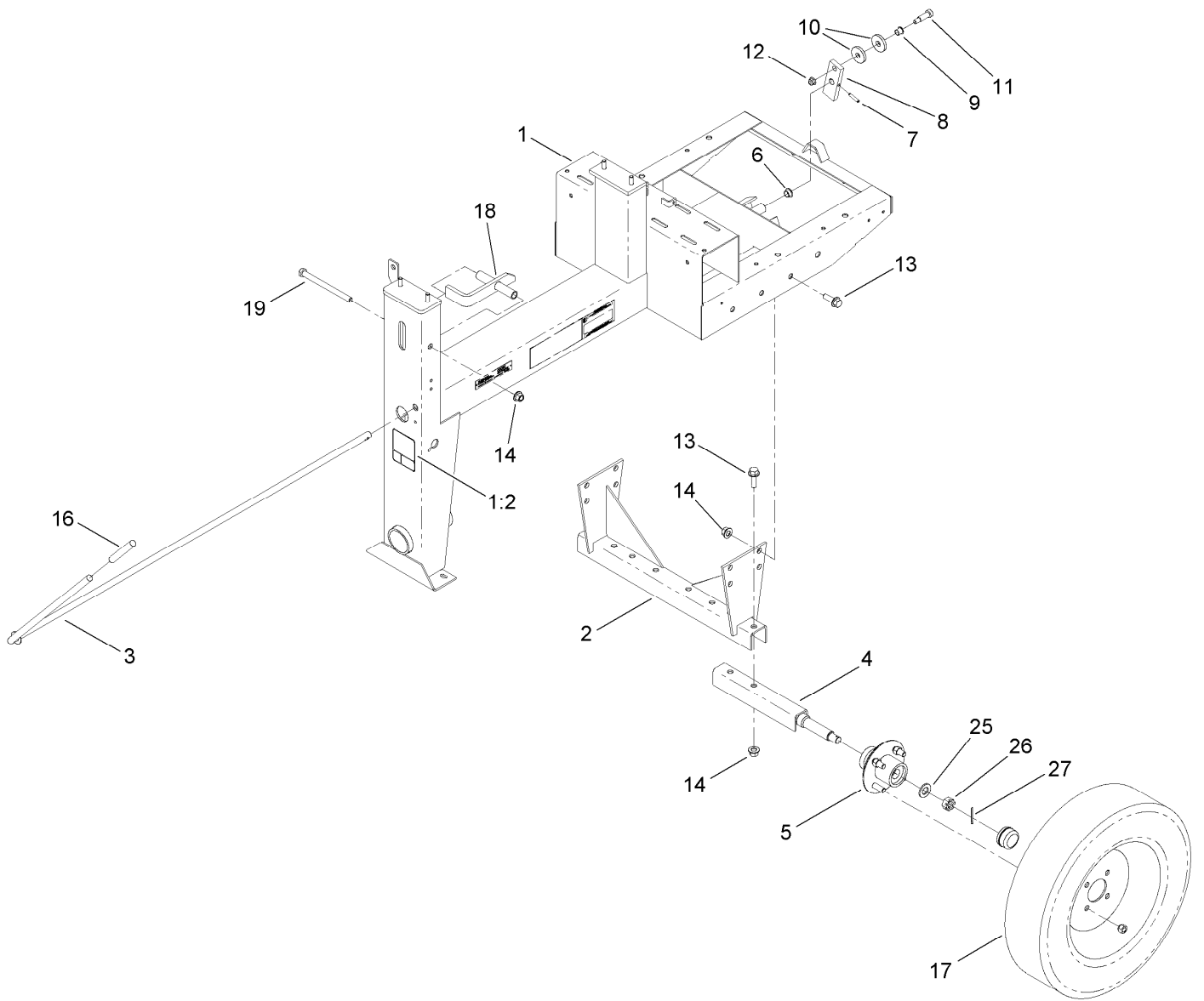
STD: standard

TAP: self tapping

TTH: torx truss head

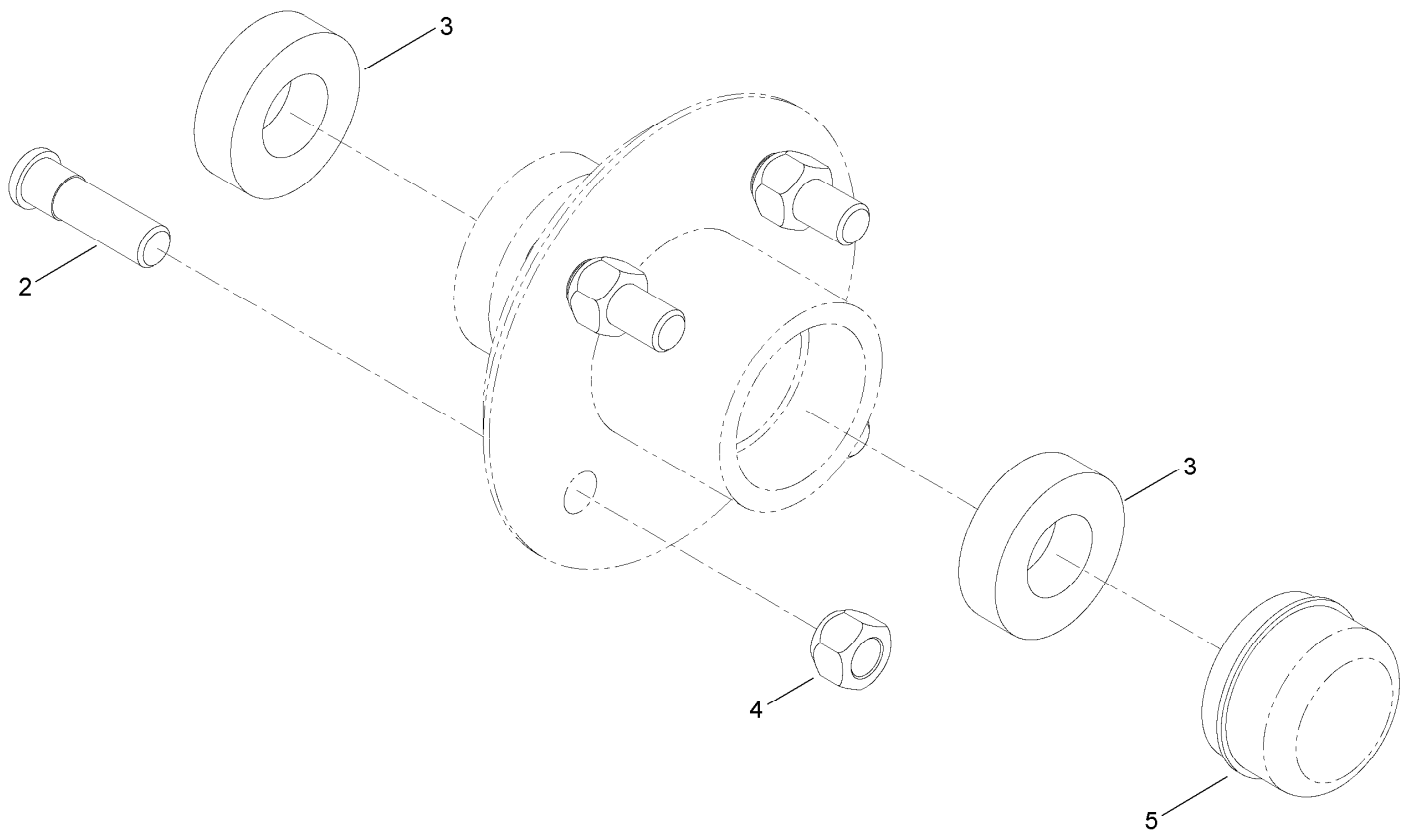
Contents

Frame and Axle Assembly	4
Hub Assembly No. 125-8171	5
Drum Assembly	6
Engine and Pinion Assembly	7
Pinion Assembly No. ST21471	8
Cowl Assembly	9
Attachments and Accessories	10



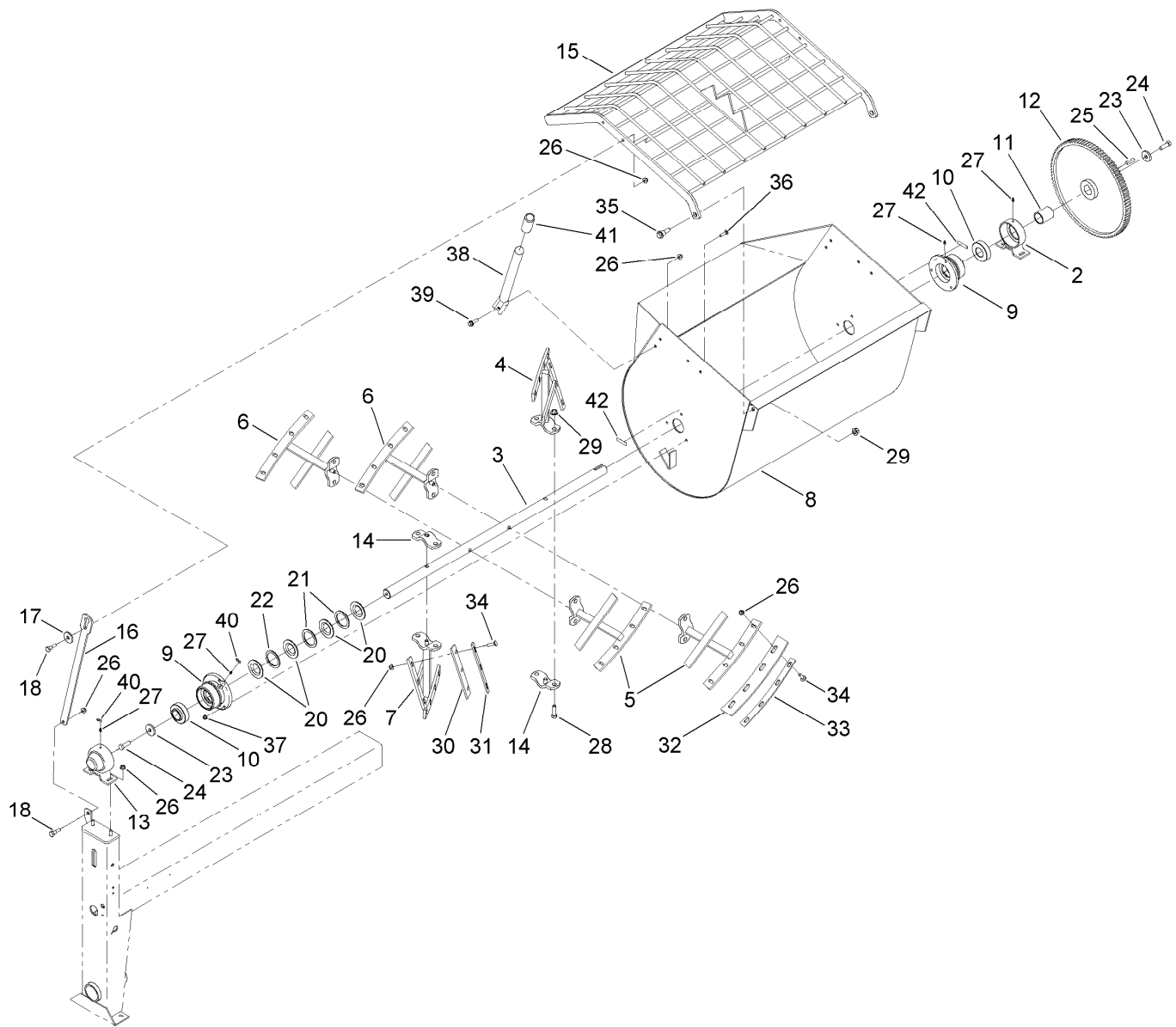
Frame and Axle Assembly

<i>Ref.</i>	<i>Part Number</i>	<i>Qty.</i>	<i>Description</i>	<i>Ref.</i>	<i>Part Number</i>	<i>Qty.</i>	<i>Description</i>
1	127-1681	1	Frame ASM	11	ST81153	1	Screw-HSBH
1:2	125-8216	1	Decal-Safety Chain, Towing	12	104-8301	1	Nut-Flange, NI
2	125-8219-03	1	Support-Axle	13	100-6116	8	Screw-HHF
3	ST39570-03	1	Lever-Clutch	14	99-5107	9	Nut-Lock
4	ST22512-03	2	Axle-Half	16	ST34687	1	Grip-Handle
5	125-8171	2	Hub	17	ST32307	2	Tire And Rim ASM
6	ST32116	1	Bushing-Flange	18	ST24027-03	1	Latch-Drum
7	32121-69	1	Pin-Spring	19	325-33	1	Screw-HH
8	ST39446-03	1	Link-Clutch	25	3256-28	2	Washer-Flat
9	ST32099	1	Bushing-Flange	26	ST80054	2	Nut
10	ST26326	2	Washer-Flat	27	3272-13	2	Pin-Cotter



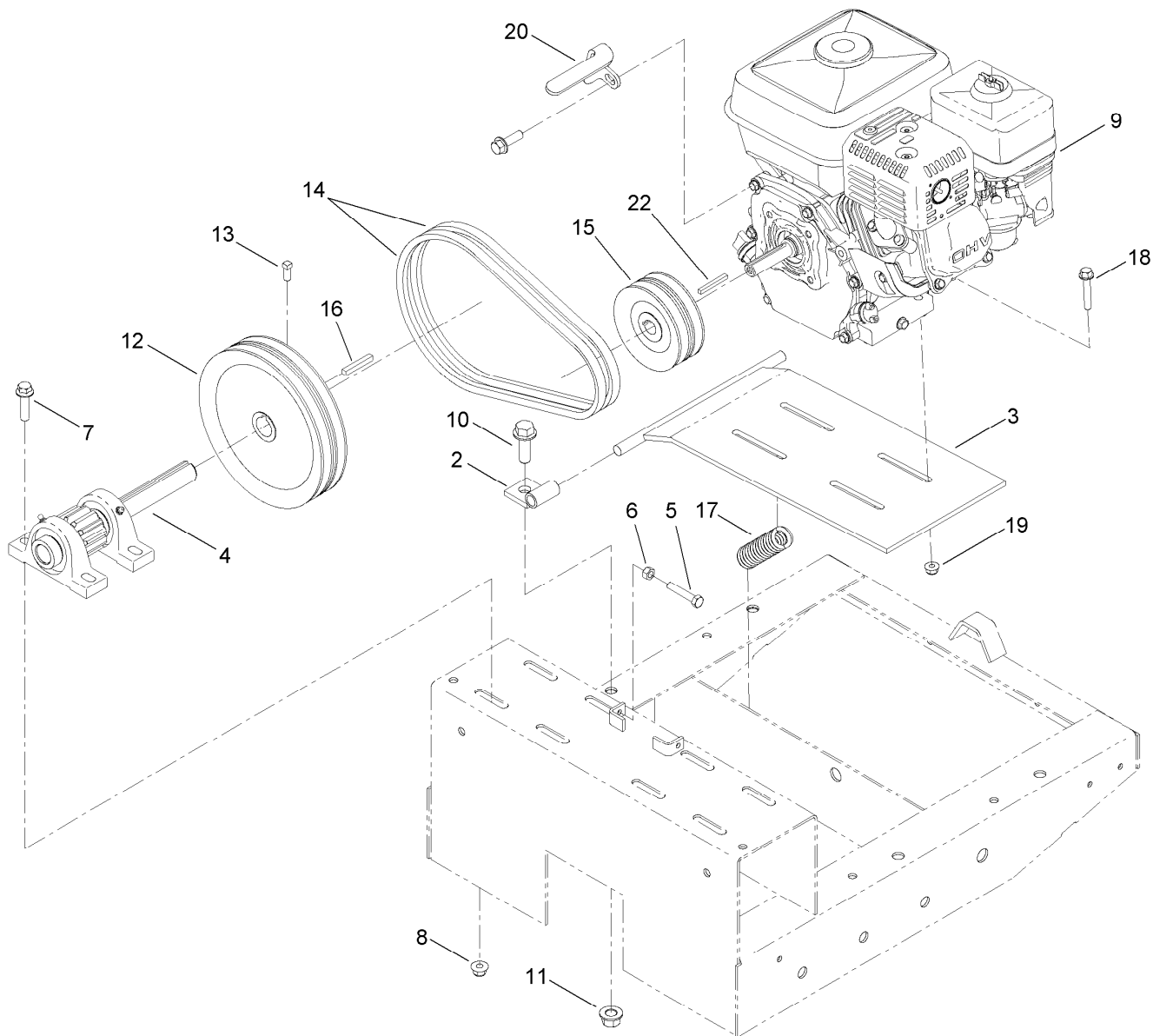
Hub Assembly No. 125-8171

<i>Ref.</i>	<i>Part Number</i>	<i>Qty.</i>	<i>Description</i>
2	ST39190	4	Stud-Wheel
3	ST32233	2	Bearing-Roller
4	ST80045	4	Nut-Lug
5	ST34573	1	Cap-Dust



Drum Assembly

Ref.	Part Number	Qty.	Description	Ref.	Part Number	Qty.	Description
2	ST24021-03	1	Trunnion	23	ST26326	2	Washer-Flat
3	ST24212-01	1	Shaft-Drum	24	325-6	2	Screw-HH
4	ST24219-01	1	Paddle	25	ST81060	1	Key-Square
5	ST24220-01	2	Paddle	26	104-8301	38	Nut-Flange, NI
6	ST24221-01	2	Paddle	27	ST46042	4	Fitting-Grease
7	ST24222-01	1	Paddle	28	325-7	8	Screw-HH
8	ST25943-01	1	Drum	29	99-5107	10	Nut-Lock
9	ST32326-01	2	Housing-Bearing	30	ST24033	2	Blade-Rubber, Short
10	ST32003	2	Bearing-Ball	31	ST24031-01	2	Bar-Backer, Short
11	ST25909	1	Spacer-Shaft, Drum	32	ST24106	6	Blade-Rubber, Long
12	ST26933-03	1	Gear-94 Teeth	33	ST24104-01	6	Bar-Backer, Long
13	ST36574-03	1	Trunnion-Capped	34	3231-25	30	Bolt-CARR
14	ST24107-01	2	Clamp	35	116-0780	2	Screw-HHF, Shoulder
15	125-6269-01	1	Guard-Drum	36	3230-3	6	Screw-CARR
16	125-6223-03	1	Bar-Guard, Lift	37	104-8300	6	Nut-Flange, NI
17	106-2008	1	Washer-Thrust	38	ST44347-01	1	Handle-Dump
18	80-1300	2	Bolt-Shoulder	39	3234-24	2	Screw-HHF
20	ST32324	8	Seal-Drum	40	ST47001	4	Cap-Plug
21	ST24017	4	Washer-Flat	41	ST47023	1	Grip-Hand
22	ST25881	2	Washer-Split	42	125-8175	2	Decal-Grease

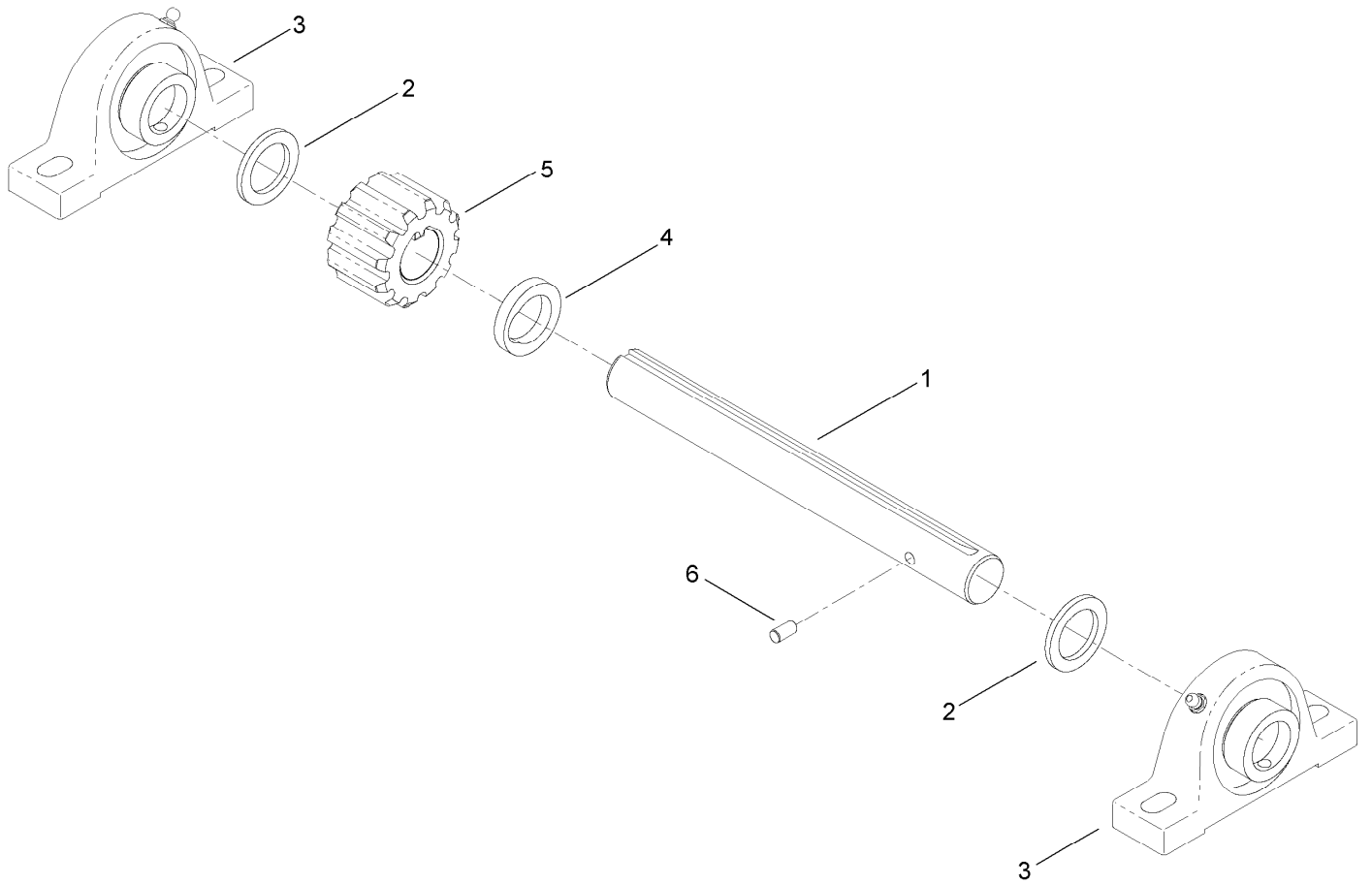


Engine and Pinion Assembly

Ref.	Part Number	Qty.	Description
2	ST57786-03	2	Mount-Motor
3	ST39557-03	1	Base-Motor
4	ST21471	1	Pinion ASM
5	322-41	1	Screw-HH
6	3217-6	1	Nut-Hex
7	114-4681	4	Screw-HHF
8	104-8301	4	Nut-Flange, NI
9	125-4812	1	Engine-Honda, Gx240 ●
10	100-6116	2	Screw-HHF
11	99-5107	2	Nut-Lock

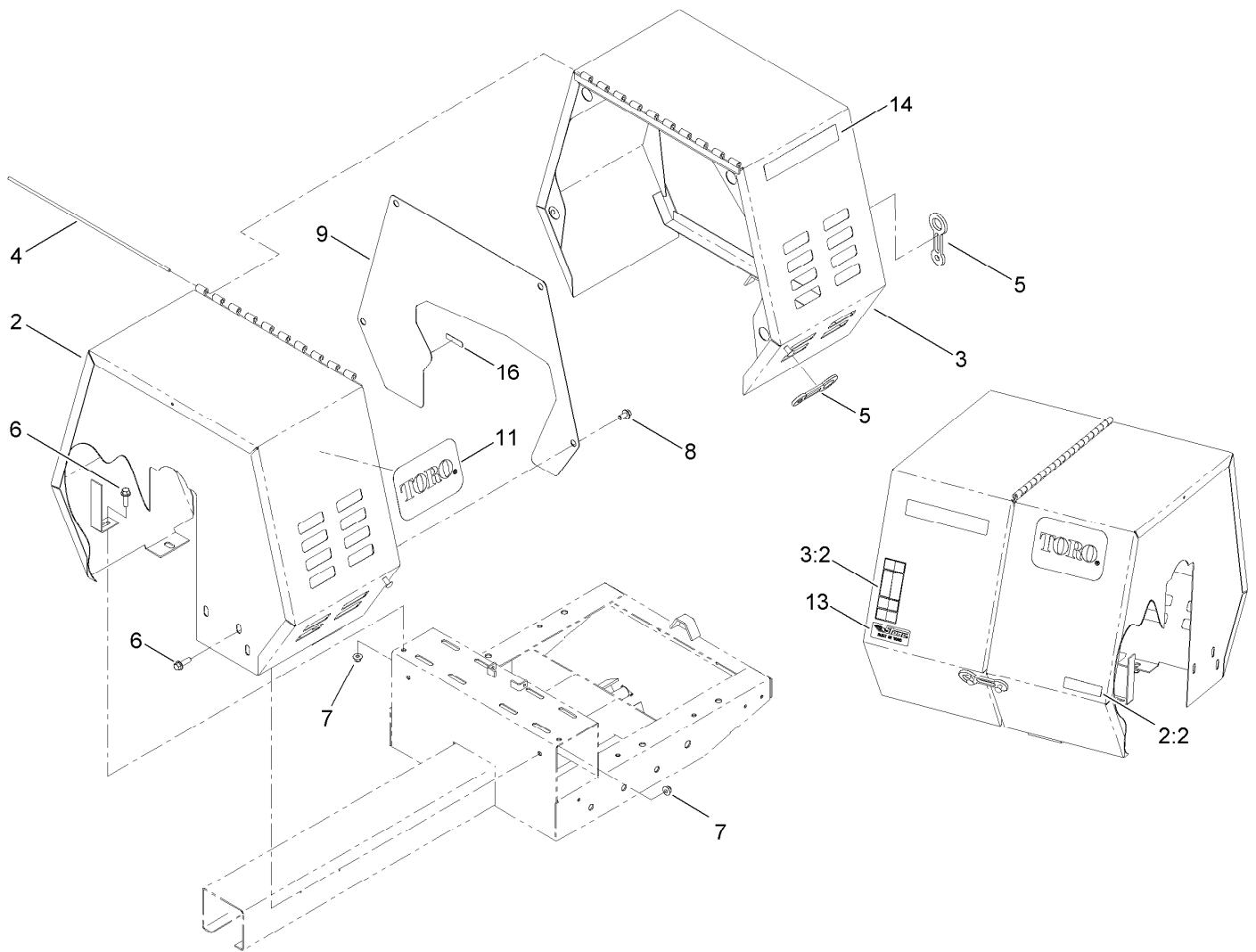
Ref.	Part Number	Qty.	Description
12	ST38450	1	Sheave
13	120-6474	2	Screw-Set, SQH
14	ST34052	2	Belt-V
15	ST38449	1	Sheave
16	7-0238	1	Key-Square
17	ST34849	1	Spring
18	114-4681	4	Screw-HHF
19	104-8301	4	Nut-Flange, NI
20	127-1665-03	1	Guide-Belt
22	7-0238	1	Key-Square

● Obtain parts from www.honda-engines.com



Pinion Assembly No. ST21471

<i>Ref.</i>	<i>Part Number</i>	<i>Qty.</i>	<i>Description</i>
1	ST24036	1	Shaft-Pinion
2	ST24622	2	Washer-Flat
3	ST32208	2	Bearing-Block, Pillow
4	ST38122	1	Washer
5	ST57625	1	Gear-Spur
6	95-0715	1	Pin-Dowel



Cowl Assembly

<i>Ref.</i>	<i>Part Number</i>	<i>Qty.</i>	<i>Description</i>
2	127-1683	1	Stationary Cowl ASM
2:2	117-2718	1	Decal-Arrester, Spark
3	127-1685	1	Movable Cowl ASM
3:2	125-4939	1	Decal-Warning
4	ST44368	1	Pin
5	ST47182	3	Latch-Rubber
6	3234-24	6	Screw-HHF
7	104-8301	6	Nut-Flange, NI
8	110-9380	4	Screw-HWH
9	125-6214-03	1	Plate-Access, Belt
11	67-7320	2	Decal
13	125-4942	1	Decal
14	125-4951	2	Decal-Mm-858H
16	125-8175	1	Decal-Grease

Attachments and Accessories

For 68020 MM-858H-S Mortar Mixer

Product Name	Model/Part
31 inch Forged Tow Pole Hitch	68056
31 inch Pintel Tow Pole Hitch	68058
31 inch Stamped Tow Pole Hitch	68060
Trailer Light Kit.....	68062

Notes:



Count on it.