



**Count on it.**

**Parts Catalog**

**VR-3500 Rammer Compactor**

Model No. 68036—Serial No. 313000001 and Up



# Ordering Replacement Parts

To order replacement parts, please supply the part number, the quantity, and the description of each part desired.

## Understanding Reference Numbers

Each identified part in an illustration has a reference number. The reference number for a part also appears in the parts list, along with other information about the part.

This catalog uses two special reference number formats, one to indicate parts in a service assembly and another to indicate the quantity of a given part in an illustration.

## Service Assembly Reference Numbers

Parts in service assemblies have reference numbers in the form a:b. The a represents the reference number of the entire service assembly and the b represents a sequential number unique to each part within the service assembly.

For example, a wheel assembly might be identified by reference number 6, the tire by 6:1, the valve by 6:2, and the wheel by 6:3. When you order the assembly identified by reference number 6, you receive all parts identified by reference numbers 6:1, 6:2, and 6:3. However, you may also order any part individually. Reference numbers of this type appear in illustration and in parts lists.

## Reference Numbers Indicating Quantity

In an illustration, if a reference number indicates more than one part, the reference number has the form nX y. The n represents the quantity of the part, the X is the multiplication symbol, and the y represents the reference number.

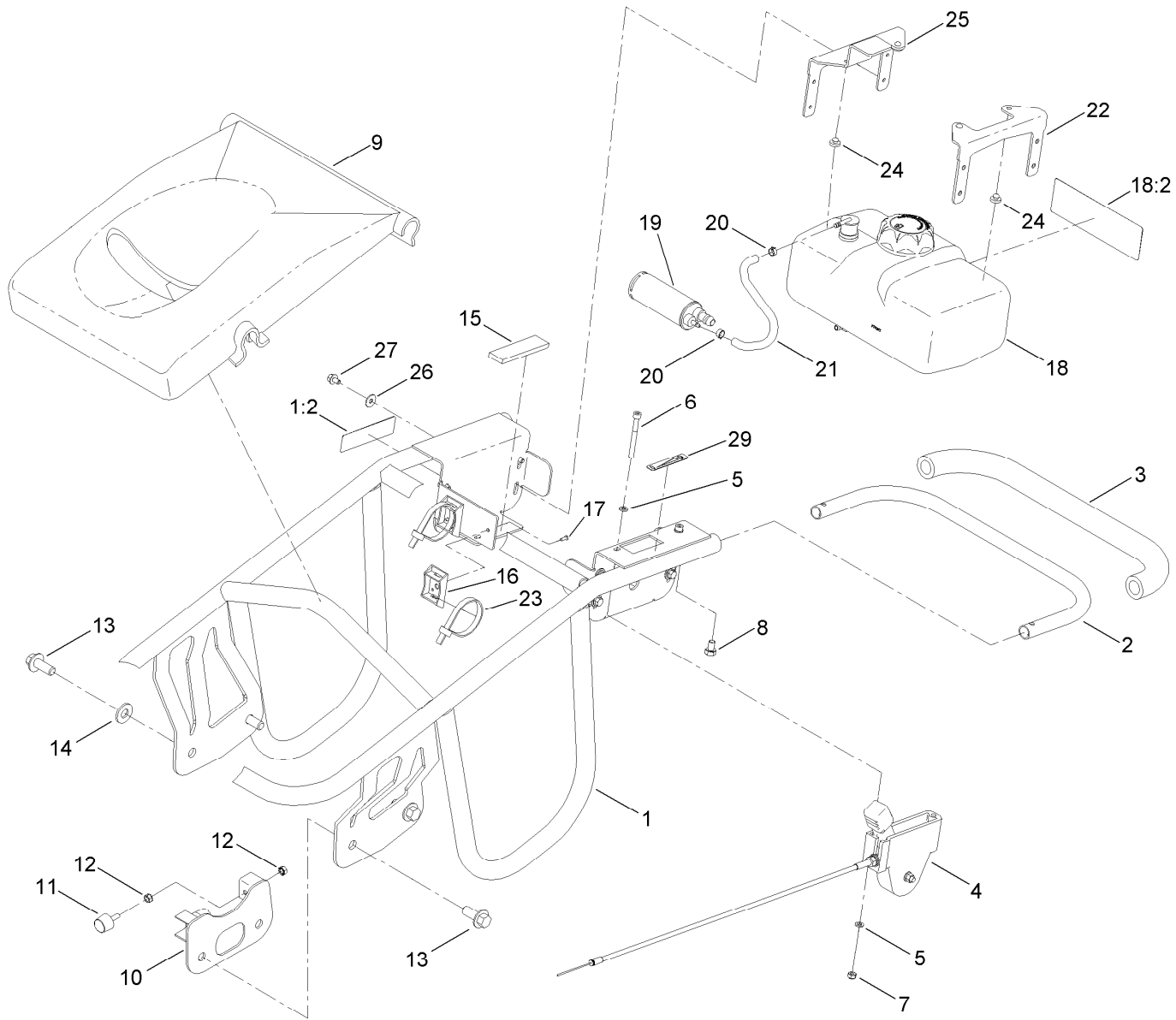
For example, in an illustration, the reference number 2X 37 means that two of the parts identified by reference number 37 are indicated.

# List of Abbreviations

<b>AR:</b> as required	<b>HLH:</b> hex lag head	<b>PTO:</b> power-take-off
<b>ASM:</b> assembly	<b>HOC:</b> height-of-cut	<b>RH:</b> right hand
<b>BBC:</b> blade brake control	<b>HSBH:</b> hex socket button head	<b>ROPS:</b> roll-over protection system
<b>BHTF:</b> button head thread forming	<b>HSFH:</b> hex socket flat head	<b>RRB:</b> rear roller brush
<b>CARR:</b> carriage	<b>HSH:</b> hex socket head	<b>SFH:</b> slotted fillister head
<b>CCW:</b> counter clockwise	<b>HWH:</b> hex washer head	<b>SHH:</b> slotted hex head
<b>CW:</b> clockwise	<b>HWHTF:</b> hex washer head thread forming	<b>SHWH:</b> slotted hex washer head
<b>DEG:</b> degrees	<b>HYD:</b> hydraulic	<b>SPH:</b> slotted pan head
<b>DPA:</b> Dual Point Adjustment	<b>LH:</b> left hand	<b>SQH:</b> square head
<b>ECM:</b> electronic control module	<b>LP:</b> Liquefied Petroleum Gas	<b>SRH:</b> slotted round head
<b>EXT:</b> external	<b>LPG:</b> Liquefied Petroleum Gas	<b>STD:</b> standard
<b>FH:</b> flat head	<b>NI:</b> nylon insert	<b>TAP:</b> self tapping
<b>GA:</b> gauge	<b>NPTF:</b> national pipe thread fine	<b>TTH:</b> torx truss head
<b>HD:</b> heavy-duty	<b>PFH:</b> phillips flat head	
<b>HF:</b> hex flange	<b>PPH:</b> phillips pan head	
<b>HH:</b> hex head	<b>PPHTF:</b> phillips pan head thread forming	
<b>HHF:</b> hex head flange	<b>PRH:</b> phillips round head	
<b>HHFTF:</b> hex head flange thread forming	<b>PTH:</b> phillips truss head	
<b>HJ:</b> hex jam		

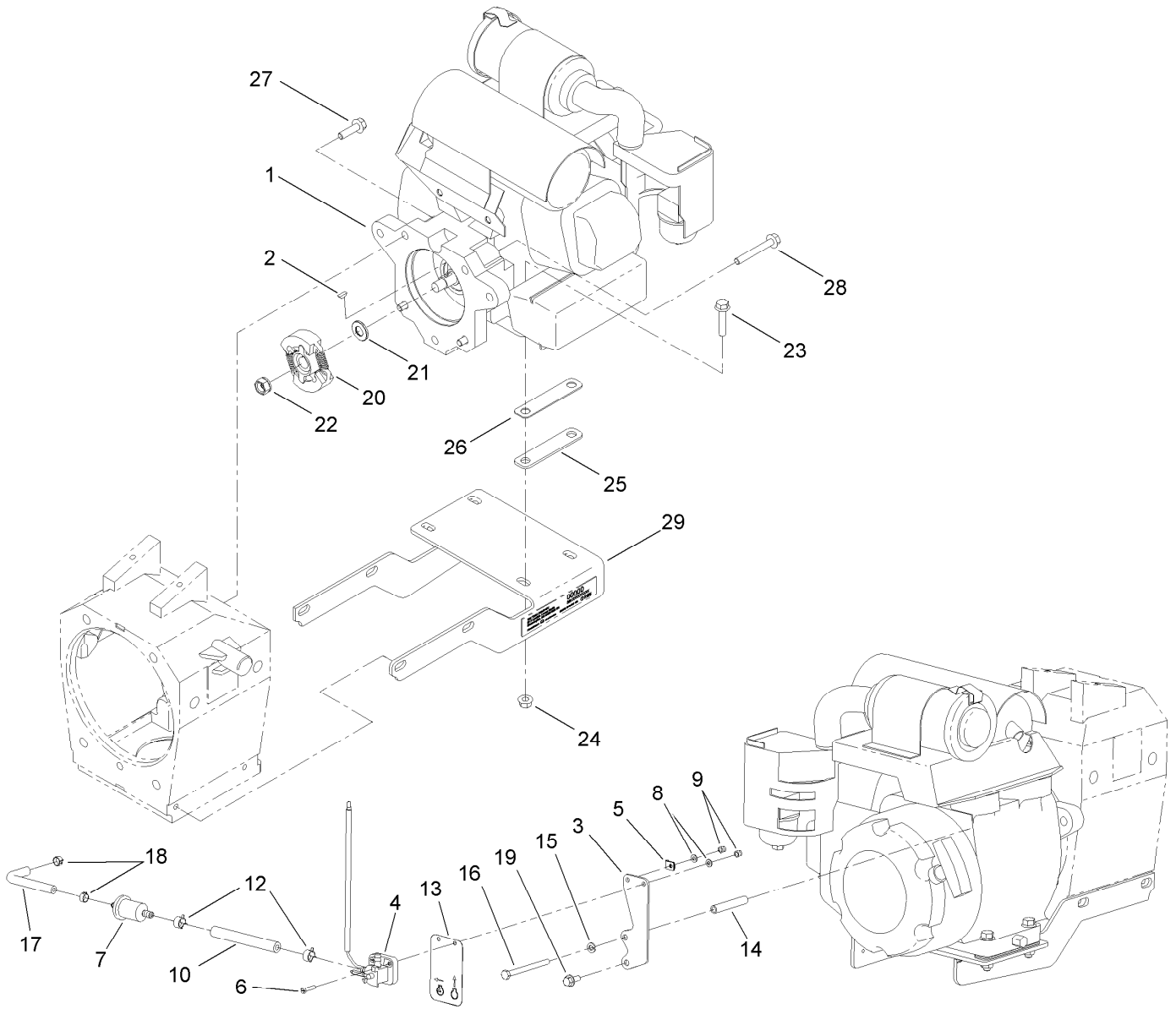
# Contents

- Frame, Handle and Fuel Tank Assembly ..... 4
- Engine Assembly ..... 5
- Lower Unit Assembly ..... 6
- Rammer Assembly..... 8



## Frame, Handle and Fuel Tank Assembly

Ref.	Part Number	Qty.	Description	Ref.	Part Number	Qty.	Description
1	127-2877	1	Handle ASM	15	125-6239	2	Pad-Tank, Fuel
1:2	117-2718	1	Decal-Arrester, Spark	16	ST36125	2	Bracket-Canister
2	ST39460-03	1	Handle-Grip, Tube	17	923786	4	Rivet
3	ST39470	1	Grip-Hand	18	127-2829	1	1 Gallon Fuel Tank ASM
4	125-8673	1	Lever-Throttle	18:2	125-8191	1	Decal-Warning
5	33093-00	4	Washer-Flat	19	ST36124	1	Canister-Carbon
6	ST80940	2	Screw-HSH	20	ST32522	2	Clamp-Hose, Fuel
7	115-7373	2	Nut-Lock	21	51-3217	1	Hose-Fuel
8	ST80586	2	Screw-HWH	22	ST66668-03	1	Bracket-Top, Fuel Tank
9	125-4804	1	Cover-Engine	23	3334-945	2	Tie-Cable
10	ST39424-03	1	Stopper	24	ST47292	4	Bumper-Rubber
11	ST39427	2	Mount-Shock	25	ST66684-03	1	Guard-Tank, Fuel
12	98-5845	4	Nut-Hex	26	ST81181	8	Washer-Flat
13	33106-020	4	Screw-HHF	27	81-1280	8	Screw-HHF
14	29-8910	2	Washer	29	125-8182	1	Decal-Throttle

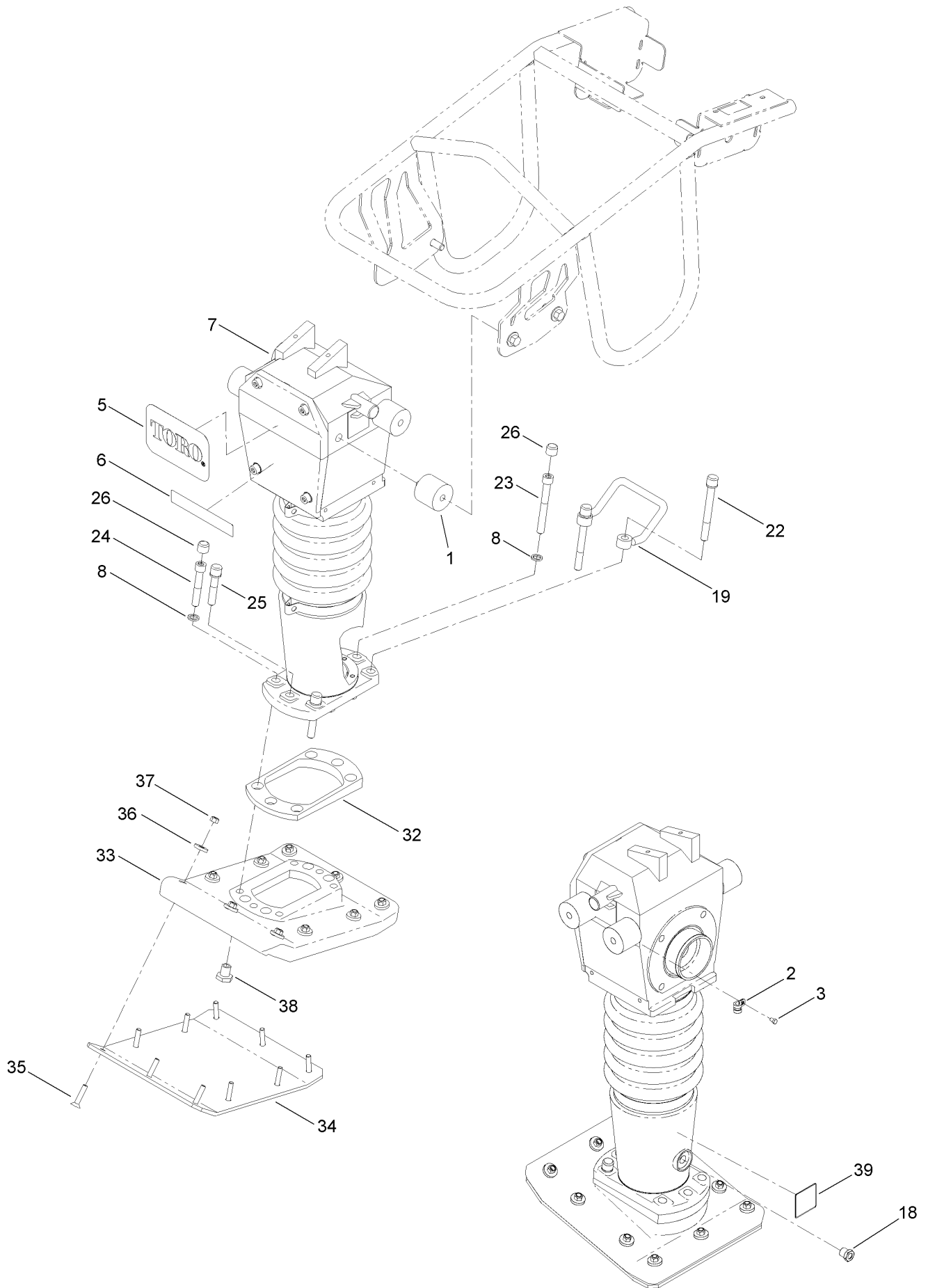


## Engine Assembly

Ref.	Part Number	Qty.	Description	Ref.	Part Number	Qty.	Description
1	125-4817	1	Engine-Honda, Gx120 ●	16	ST81354	1	Screw-HH
2	ST32525	1	Key-Woodruff	17	115-4736	1	Hose-Fuel
3	ST50362-03	1	Plate-Switch, Stop	18	ST32522	2	Clamp-Hose, Fuel
4	ST58582	1	Fuel Shut Off Valve ASM	19	33103-016	1	Screw-HHF
5	ST39502	1	Clamp	20	ST30291	1	Clutch-Friction
6	ST80926	2	Screw-HH	21	ST58857	1	Spacer-Clutch
7	ST31231	1	Filter-Fuel	22	ST32524	1	Nut
8	48-7990	2	Washer-Flat	23	33104-040	4	Screw-HHF
9	46-0430	2	Nut-Lock	24	33004-00	4	Nut-HF
10	109-0295	1	Hose-Fuel	25	ST50414-03	2	Shim-Engine (11GA)
12	ST34492	2	Clamp-Hose, Fuel	26	ST50415-03	2	Shim-Engine (16GA)
13	125-4966	1	Hang Tag-Run, Stop	27	33104-030	3	Screw-HHF
14	ST50361	1	Tube-Switch, Stop	28	33104-060	1	Screw-HHF
15	43-5930	1	Washer-Lock, Spring	29	127-2800-03	1	Support-Engine

● Obtain parts from [www.honda-engines.com](http://www.honda-engines.com)

# Lower Unit Assembly

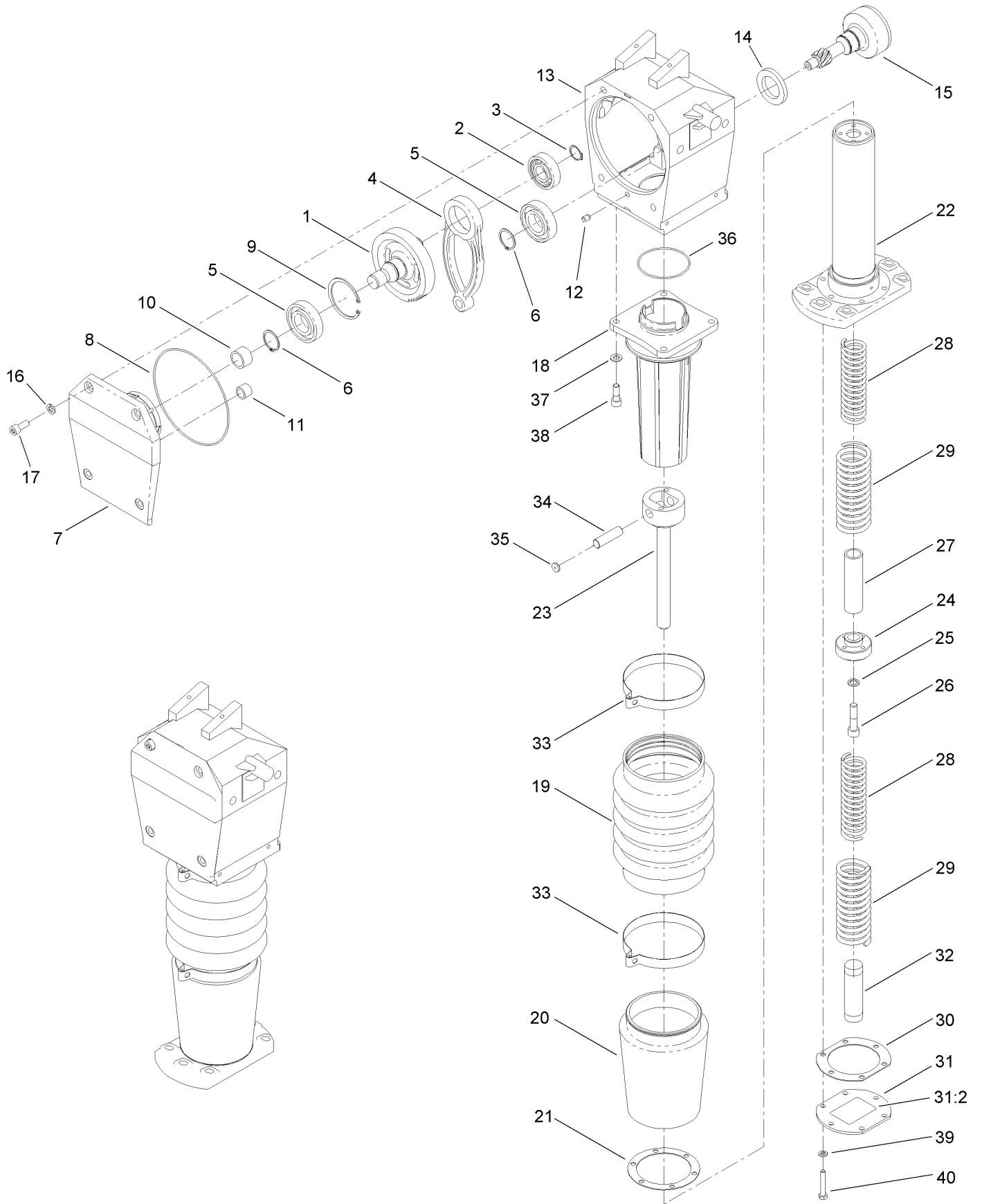


## Lower Unit Assembly (continued)

<i>Ref.</i>	<i>Part Number</i>	<i>Qty.</i>	<i>Description</i>	<i>Ref.</i>	<i>Part Number</i>	<i>Qty.</i>	<i>Description</i>
1	ST39425	4	Mount-Shock	25	ST80827	1	Screw-HSH
2	ST39509	1	Clamp	26	ST80765	6	Cap-Plastic
3	ST81043	1	Screw-HH	32	ST50371	1	Plate-Spacer, Shoe
5	99-4693	1	Decal	33	ST47302	1	Shoe-Plastic, Medium/Heavy
6	125-8180	1	Decal	34	ST65024-03	1	Plate-Shoe
7		1	Rammer ASM ●	35	ST80823	10	Screw-HSFH
8	ST81196	6	Washer-Lock	36	ST26325	10	Washer-Flat
18	ST34096	1	Plug-Sight, Oil	37	33024-00	10	Nut-Lock, NI
19	ST39480-03	1	Grip-Lift	38	ST65028	6	Insert-Shoe
22	ST81193	2	Screw-HSH	39	125-8183	1	Decal-Oil Level
23	ST80943	1	Screw-HSH				
24	ST80945	2	Screw-HSH				

● Not serviced separately

# Rammer Assembly





## Rammer Assembly (continued)

<i>Ref.</i>	<i>Part Number</i>	<i>Qty.</i>	<i>Description</i>	<i>Ref.</i>	<i>Part Number</i>	<i>Qty.</i>	<i>Description</i>
1	ST50310	1	Gear-Helical	22	125-8675	1	Housing-Spring
2	ST39429	1	Bearing-Ball	23	ST50305	1	Rod-Piston
3	ST39432	1	Ring-External	24	ST50465	1	Puck-Piston
4	ST50302	1	Rod-Connecting	25	ST81196	1	Washer-Lock
5	ST39428	2	Bearing-Ball	26	ST80822	1	Screw-HSH
6	32120-84	2	Ring-Snap, External	27	ST50410	1	Snubber-Spring, Upper
7	ST50294	1	Cover-Front	28	ST50282	2	Spring-Compression, Inner
8	ST39437	1	O-Ring	29	ST50283	2	Spring-Compression, Outer
9	ST50539	1	Ring-Internal	30	ST39390	1	Gasket-Cover, Spring
10	ST39430	1	Bearing-Needle	31	127-2831	1	Bottom Spring Cover ASM
11	ST39431	1	Bearing-Needle	31:2	125-8181	1	Decal-Warning, Spring
12	ST80543	1	Pin	32	ST50411	1	Snubber-Spring, Lower
13	ST50304	1	Gearcase	33	ST39439	2	Clamp-Boot, Stomper
14	ST39435	1	Seal-Shaft	34	ST39436	1	Pin
15	ST50192	1	Pinion	35	ST39401	2	Button-Pin, Captivator
16	42-9600	4	Washer-Lock, Spring	36	ST39438	1	O-Ring
17	ST80803	4	Screw-HSH	37	33095-00	4	Washer-Flat
18	ST50281	1	Guide-Tube	38	ST80872	4	Screw-HSH
19	ST50408	1	Boot-Stomper	39	ST80812	6	Washer-Lock
20	ST50409	1	Cover-Housing, Spring	40	33114-050	6	Screw-HH
21	ST39399	1	Gasket-Housing, Spring Cover				

**Notes:**

**Notes:**



**Count on it.**