



**Count on it.**

**Parts Catalog**

**GreenKeeper® 212 Series  
Controllers, Indoor and Outdoor  
Models**

Model No. GreenKeeper 212



# Ordering Replacement Parts

To order replacement parts, please supply the part number, the quantity, and the description of each part desired.

## Understanding Reference Numbers

Each identified part in an illustration has a reference number. The reference number for a part also appears in the parts list, along with other information about the part.

This catalog uses two special reference number formats, one to indicate parts in a service assembly and another to indicate the quantity of a given part in an illustration.

## Service Assembly Reference Numbers

Parts in service assemblies have reference numbers in the form a:b. The a represents the reference number of the entire service assembly and the b represents a sequential number unique to each part within the service assembly.

For example, a wheel assembly might be identified by reference number 6, the tire by 6:1, the valve by 6:2, and the wheel by 6:3. When you order the assembly identified by reference number 6, you receive all parts identified by reference numbers 6:1, 6:2, and 6:3. However, you may also order any part individually. Reference numbers of this type appear in illustration and in parts lists.

## Reference Numbers Indicating Quantity

In an illustration, if a reference number indicates more than one part, the reference number has the form nX y. The n represents the quantity of the part, the X is the multiplication symbol, and the y represents the reference number.

For example, in an illustration, the reference number 2X 37 means that two of the parts identified by reference number 37 are indicated.

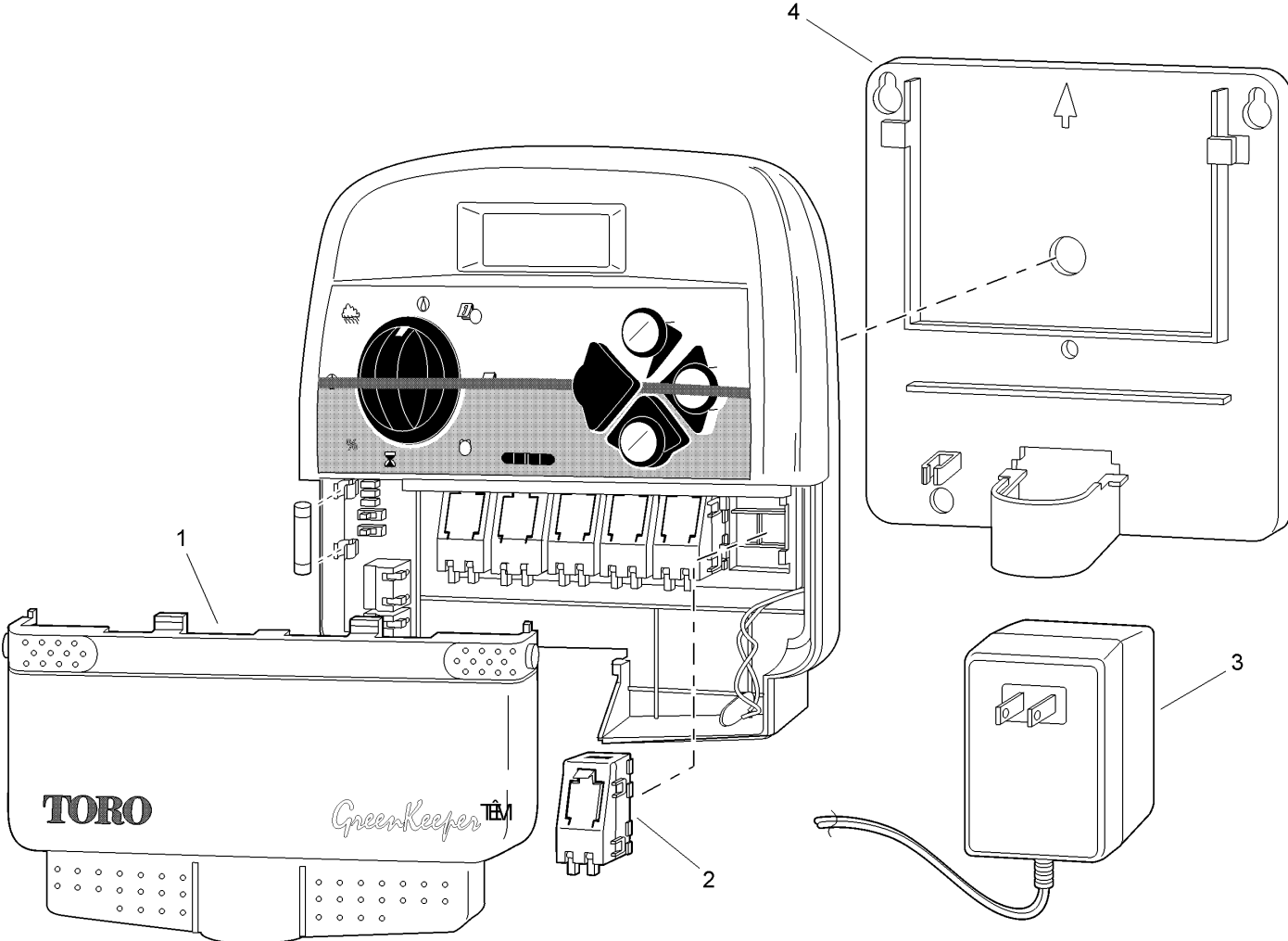
# List of Abbreviations

<b>AR:</b> as required	<b>HLH:</b> hex lag head	<b>PTO:</b> power-take-off
<b>ASM:</b> assembly	<b>HOC:</b> height-of-cut	<b>RH:</b> right hand
<b>BBC:</b> blade brake control	<b>HSBH:</b> hex socket button head	<b>ROPS:</b> roll-over protection system
<b>BHTF:</b> button head thread forming	<b>HSFH:</b> hex socket flat head	<b>RRB:</b> rear roller brush
<b>CARR:</b> carriage	<b>HSH:</b> hex socket head	<b>SFH:</b> slotted fillister head
<b>CCW:</b> counter clockwise	<b>HWH:</b> hex washer head	<b>SHH:</b> slotted hex head
<b>CW:</b> clockwise	<b>HWHTF:</b> hex washer head thread forming	<b>SHWH:</b> slotted hex washer head
<b>DEG:</b> degrees	<b>HYD:</b> hydraulic	<b>SPH:</b> slotted pan head
<b>DPA:</b> Dual Point Adjustment	<b>LH:</b> left hand	<b>SQH:</b> square head
<b>ECM:</b> electronic control module	<b>LP:</b> Liquefied Petroleum Gas	<b>SRH:</b> slotted round head
<b>EXT:</b> external	<b>LPG:</b> Liquefied Petroleum Gas	<b>STD:</b> standard
<b>FH:</b> flat head	<b>NI:</b> nylon insert	<b>TAP:</b> self tapping
<b>GA:</b> gauge	<b>NPTF:</b> national pipe thread fine	<b>TTH:</b> torx truss head
<b>HD:</b> heavy-duty	<b>PFH:</b> phillips flat head	
<b>HF:</b> hex flange	<b>PPH:</b> phillips pan head	
<b>HH:</b> hex head	<b>PPHTF:</b> phillips pan head thread forming	
<b>HHF:</b> hex head flange	<b>PRH:</b> phillips round head	
<b>HHFTF:</b> hex head flange thread forming	<b>PTH:</b> phillips truss head	
<b>HJ:</b> hex jam		

# Contents

GreenKeeper 212 - Indoor Controller ..... 4  
GreenKeeper 212 - Outdoor Controller..... 6

# GreenKeeper 212 - Indoor Controller

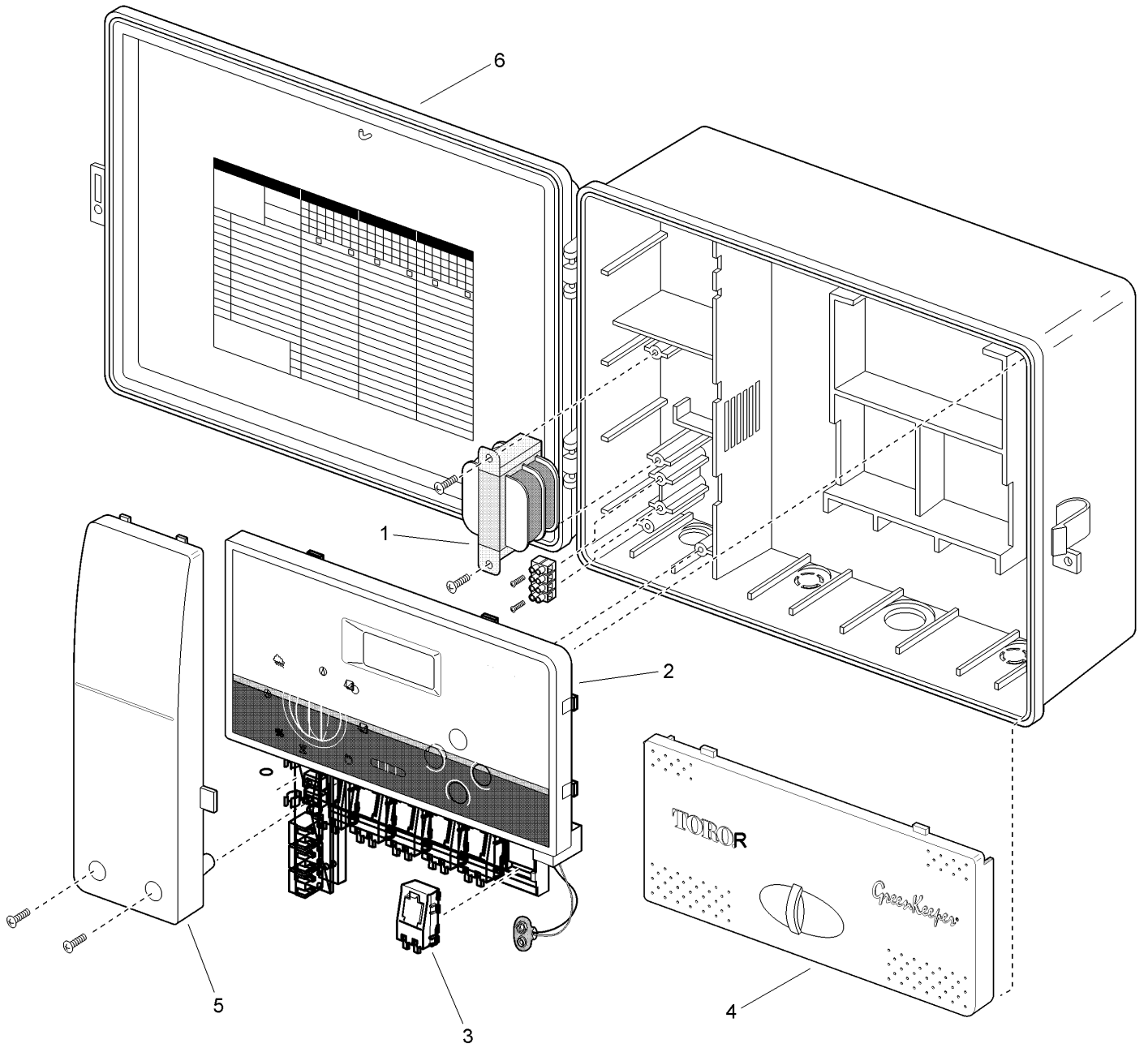


## GreenKeeper 212 - Indoor Controller (continued)

<i>Ref.</i>	<i>Part Number</i>	<i>Qty.</i>	<i>Description</i>	<i>Ref.</i>	<i>Part Number</i>	<i>Qty.</i>	<i>Description</i>
1	102-6889	1	Front Plate	3	363-3665	1	Transformer, 240 V A.C., 24
2	TSM-02	2	Two-Station Module ●				V A.C. (Australia)
3	363-3514	1	Transformer, 120 V A.C., 24	4	102-6888	1	Mounting Plate
			V A.C.				
3	363-3664	1	Transformer, 230 V A.C., 24				
			V A.C. (Europe)				

● Order Through Finished Goods Distribution System - Minneapolis

# GreenKeeper 212 - Outdoor Controller



## GreenKeeper 212 - Outdoor Controller (continued)

<i>Ref.</i>	<i>Part Number</i>	<i>Qty.</i>	<i>Description</i>	<i>Ref.</i>	<i>Part Number</i>	<i>Qty.</i>	<i>Description</i>
1	102-6890	1	Transformer, 120 V A.C., 60 Hz (Domestic Models Only)	3	TSM-02	2	Two-Station Module ■
1	102-2685	1	Transformer, 230/240 V A.C., 50 Hz (Export Models Only)	3	TSM-02-H	2	Two-Station Module, High Surge ■
2		1	Timing Mechanism Module, Svc. (Does Not Include Station Modules.) ●	4	102-6892	1	Cover, Lower Cabinet, Svc.
				5	102-6893	1	Cover, Transformer, Svc.
				6	102-6891	1	Door, Cabinet, Svc.

● Not serviced separately

■ Order Through Finished Goods Distribution System - Minneapolis



**Count on it.**