



3-Hose Stabilizer Bracket Kit

Multi-Pro® 1250 and 5700 Turf Sprayer or Workman® 200 Spray System

Model No. 125-5851

Installation Instructions

Loose Parts

Use the chart below to verify that all parts have been shipped.

Description	Qty.	Use
Stabilizer bracket back	1	Install the stabilizer bracket.
Stabilizer bracket front	1	
Rubber grommet	3	
Flange head bolt	2	
Flange nut	2	

Installing the Stabilizer Bracket

1. Mount the stabilizer bracket back to the back of the valve mounting bracket using the 2 existing bolts and nuts (Figure 1).
2. Cut open the rubber grommets and wrap them around the hoses attached to the unit (Figure 1).
3. Line up the rubber grommets with the grooves in the stabilizer brackets, and attach the stabilizer bracket front to the bracket back using 2 flange head bolts and 2 flange nuts (Figure 1).

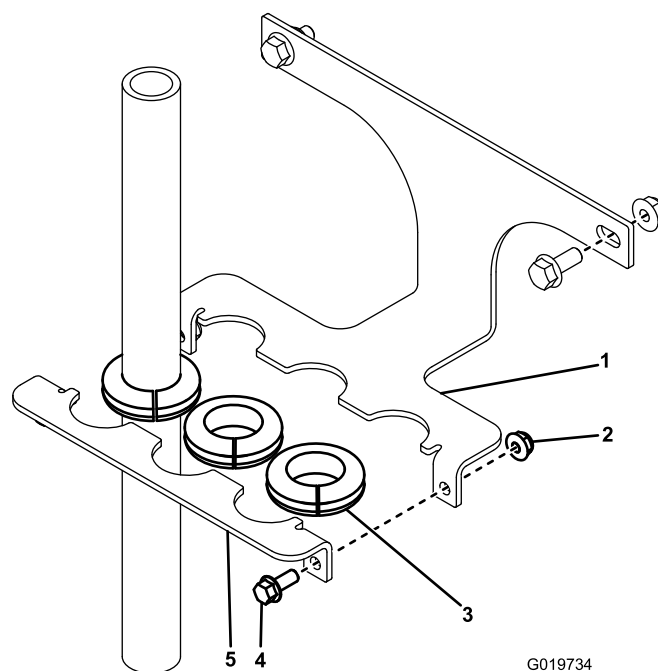


Figure 1

- | | |
|----------------------------|-----------------------------|
| 1. Stabilizer bracket back | 4. Flange head bolt |
| 2. Flange nut | 5. Stabilizer bracket front |
| 3. Rubber grommet | |

