



4-Hose Stabilizer Bracket Kit

Multi-Pro® 5800 Turf Sprayer

Model No. 125-5852

Installation Instructions

Loose Parts

Use the chart below to verify that all parts have been shipped.

| Description | Qty. | Use |
|--------------------------|------|---------------------------------|
| Stabilizer bracket back | 1 | Install the stabilizer bracket. |
| Stabilizer bracket front | 1 | |
| Rubber grommet | 4 | |
| Flange head bolt | 2 | |
| Flange nut | 2 | |

Installing the Stabilizer Bracket

1. Mount the stabilizer bracket back to the back of the valve mounting bracket using the 2 existing bolts and nuts (Figure 1).
2. Cut open the rubber grommets and wrap them around the hoses attached to the unit (Figure 1).
3. Line up the rubber grommets with the grooves in the stabilizer brackets, and attach the stabilizer bracket front to the bracket back using 2 flange head bolts and 2 flange nuts (Figure 1).

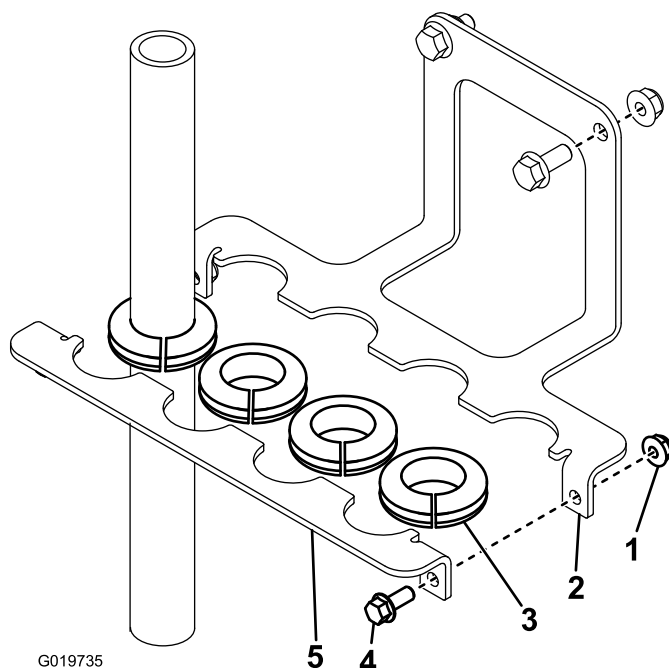


Figure 1

- | | |
|----------------------------|-----------------------------|
| 1. Flange nut | 4. Flange head bolt |
| 2. Stabilizer bracket back | 5. Stabilizer bracket front |
| 3. Rubber grommet | |

