



Steering Return Hose Kit

Multi-Pro® 5800 Turf Sprayer

Model No. 121-5132

Installation Instructions

Installation

Loose Parts

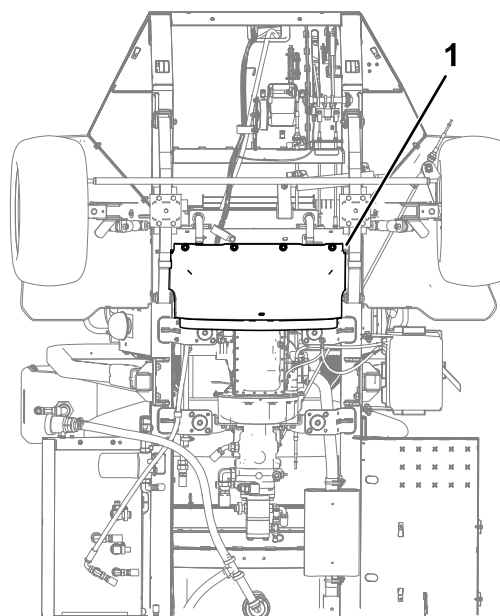
Use the chart below to verify that all parts have been shipped.

Description	Qty.	Use
Hose	1	Installing the hose.
Tee fitting	1	
Hydraulic fitting cap	1	
R-Clamp	2	

⚠ WARNING

Hydraulic fluid escaping under pressure can penetrate skin and cause injury.

- Make sure that all hydraulic fluid hoses and lines are in good condition and that all hydraulic connections and fittings are tight before applying pressure to the hydraulic system.
- Keep your body and hands away from pin hole leaks or nozzles that eject high pressure hydraulic fluid.
- Use cardboard or paper to find hydraulic leaks.
- Safely relieve all pressure in the hydraulic system before performing any work on the hydraulic system.
- Get immediate medical help if fluid is injected into skin.



g023679

Figure 1

1. Engine shield

Installing the Hose

Note: Have a tray ready to catch any hydraulic fluid coming from the hoses as they are being removed.

1. Turn off the machine and remove the key.
2. Remove the 4 bolts from the engine shield and lower the shield (Figure 1).

3. Remove the hydraulic hose from the tube assembly and place the hydraulic fitting cap on the open valve (Figure 2).



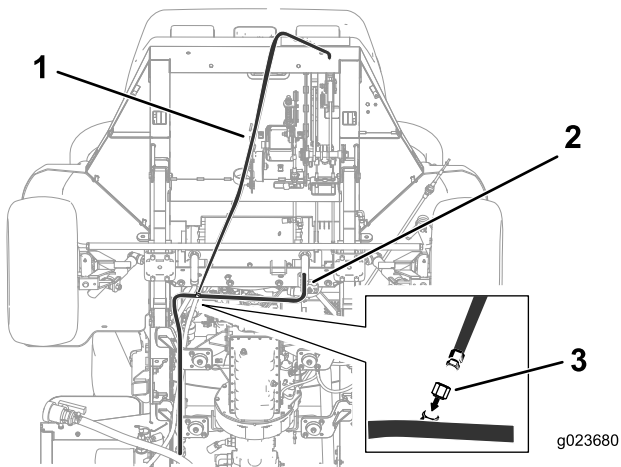


Figure 2

- 1. Hydraulic hose
- 2. Tube assembly
- 3. Hydraulic fitting cap

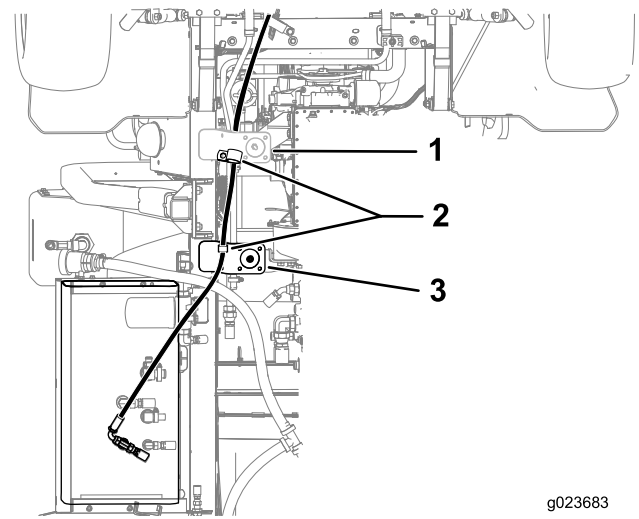


Figure 4

- 1. Install 1 R-clamp on the under side the bracket.
- 2. R-clamps
- 3. Install 1 R-clamp on the top side of the bracket.

-
- 4. Connect the hydraulic hose to the hose from this kit (Figure 3).

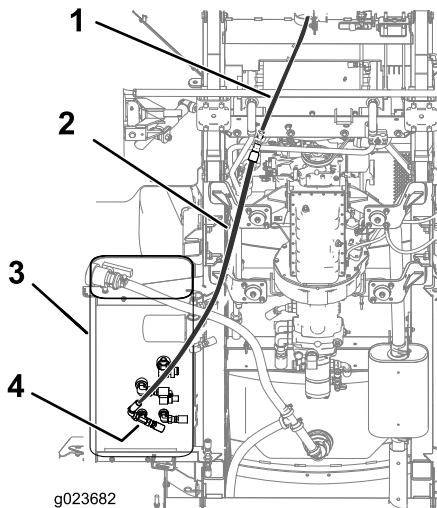


Figure 3

- 1. Existing hydraulic hose
- 2. Hydraulic hose from kit
- 3. Hydraulic tank
- 4. Tee fitting

-
- 5. Remove the hose currently installed on the hydraulic tank in the location where it shows the tee fitting in Figure 3.
 - 6. Replace the fitting in that location with the tee fitting and install the hose removed in the previous step and the hose from the kit (Figure 3).
 - 7. Secure the hose to the brackets on the machine using the 2 R-clamps (Figure 4).

-
- 8. Install the engine shield.