



Count on it.

Parts Catalog

**Z Master[®] Commercial 2000
Series Riding Mower**

**with 60in TURBO FORCE[®] Side Discharge
Mower**

Model No. 74145—Serial No. 313000001 and Up



Ordering Replacement Parts

To order replacement parts, please supply the part number, the quantity, and the description of each part desired.

Understanding Reference Numbers

Each identified part in an illustration has a reference number. The reference number for a part also appears in the parts list, along with other information about the part.

This catalog uses two special reference number formats, one to indicate parts in a service assembly and another to indicate the quantity of a given part in an illustration.

Service Assembly Reference Numbers

Parts in service assemblies have reference numbers in the form a:b. The a represents the reference number of the entire service assembly and the b represents a sequential number unique to each part within the service assembly.

For example, a wheel assembly might be identified by reference number 6, the tire by 6:1, the valve by 6:2, and the wheel by 6:3. When you order the assembly identified by reference number 6, you receive all parts identified by reference numbers 6:1, 6:2, and 6:3. However, you may also order any part individually. Reference numbers of this type appear in illustration and in parts lists.

Reference Numbers Indicating Quantity

In an illustration, if a reference number indicates more than one part, the reference number has the form nX y. The n represents the quantity of the part, the X is the multiplication symbol, and the y represents the reference number.

For example, in an illustration, the reference number 2X 37 means that two of the parts identified by reference number 37 are indicated.

List of Abbreviations

AR: as required

ASM: assembly

BBC: blade brake control

BHTF: button head thread forming

CARR: carriage

CCW: counter clockwise

CW: clockwise

DEG: degrees

DPA: Dual Point Adjustment

ECM: electronic control module

EXT: external

FH: flat head

GA: gauge

HD: heavy-duty

HF: hex flange

HH: hex head

HHF: hex head flange

HHFTF: hex head flange thread forming

HJ: hex jam

HLH: hex lag head

HOC: height-of-cut

HSBH: hex socket button head

HSFH: hex socket flat head

HSH: hex socket head

HWH: hex washer head

HWHTF: hex washer head thread forming

HYD: hydraulic

LH: left hand

LP: Liquefied Petroleum Gas

LPG: Liquefied Petroleum Gas

NI: nylon insert

NPTF: national pipe thread fine

PFH: phillips flat head

PPH: phillips pan head

PPHTF: phillips pan head thread forming

PRH: phillips round head

PTH: phillips truss head

PTO: power-take-off

RH: right hand

ROPS: roll-over protection system

RRB: rear roller brush

SFH: slotted fillister head

SHH: slotted hex head

SHWH: slotted hex washer head

SPH: slotted pan head

SQH: square head

SRH: slotted round head

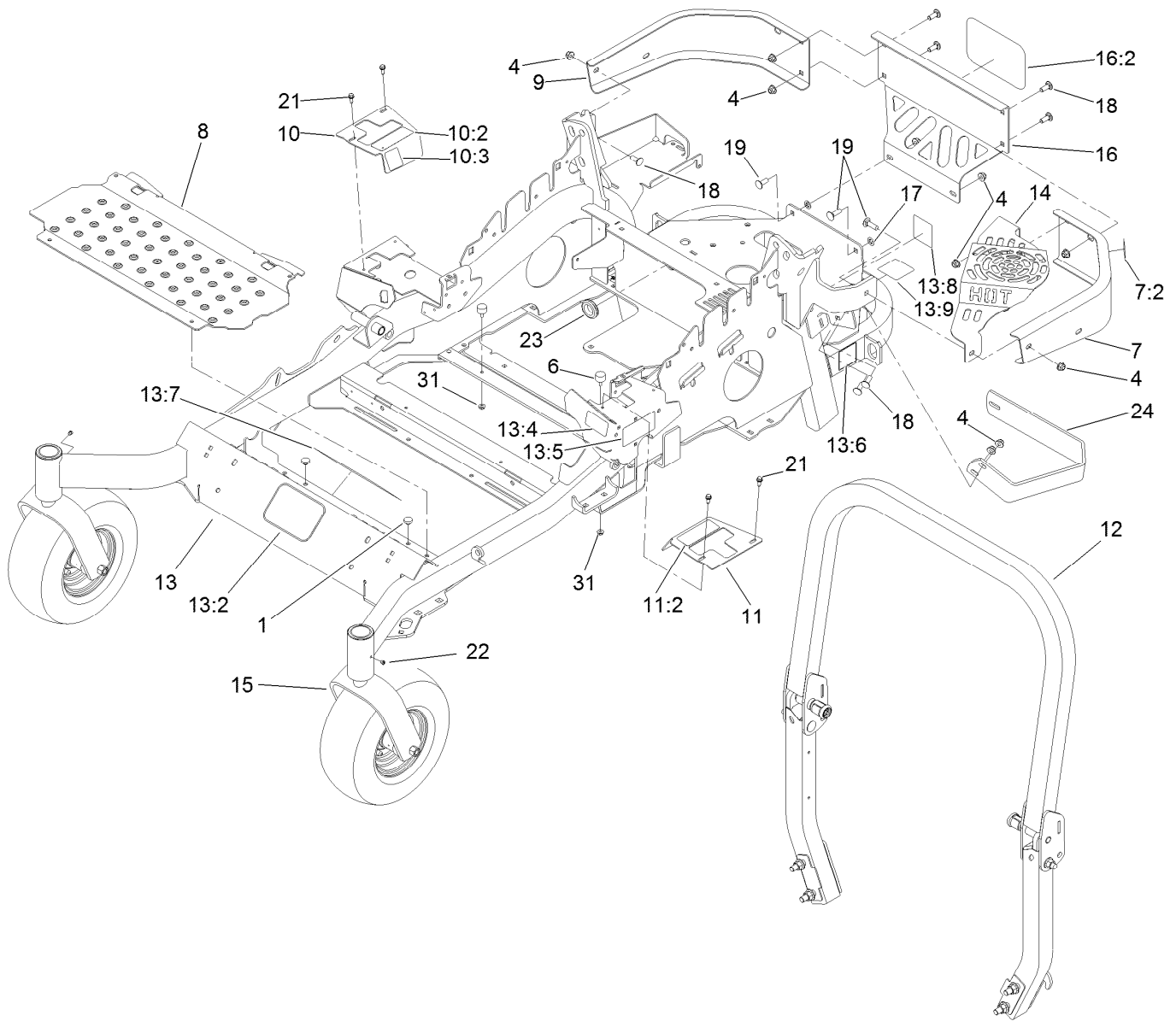
STD: standard

TAP: self tapping

TTH: torx truss head

Contents

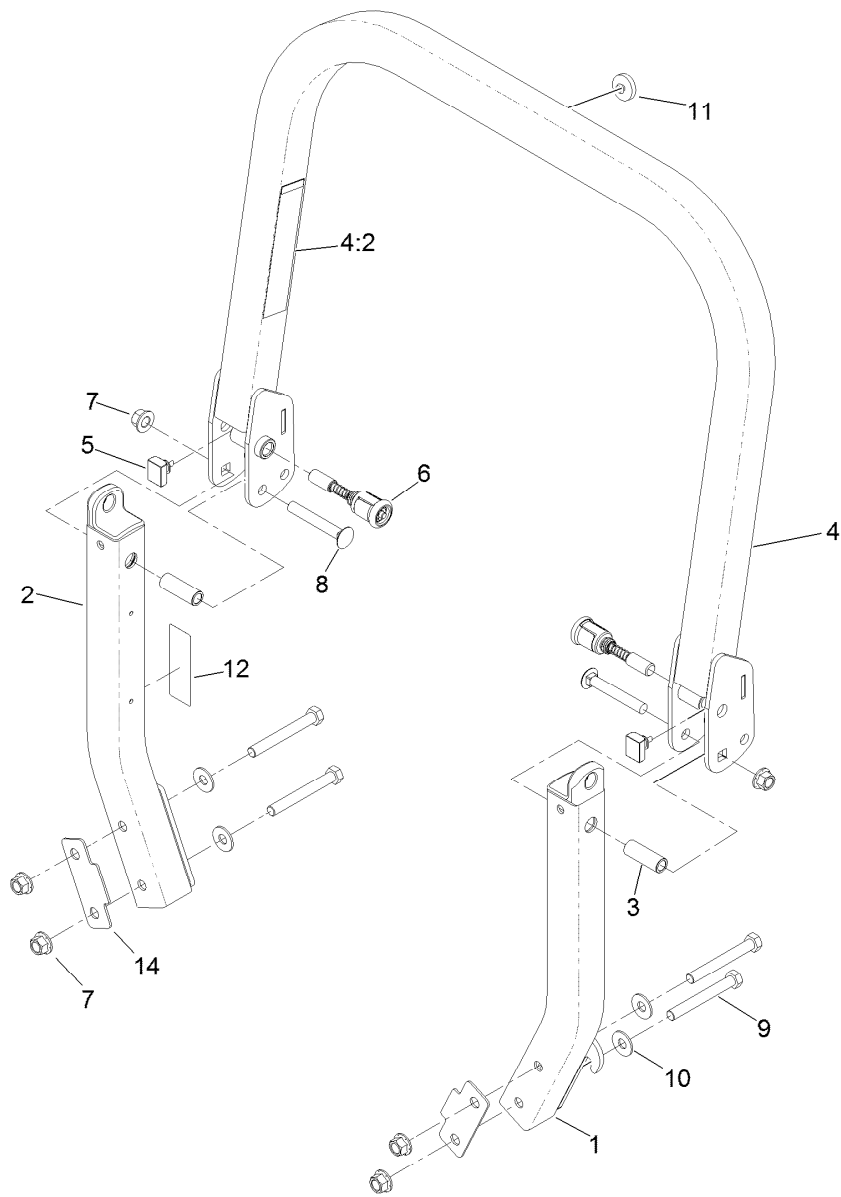
Frame and Caster Wheel Assembly	4
Roll-Over Protection System Assembly No. 116-0231	5
Fork and Caster Wheel Assembly	6
Hydro Drive System Assembly	7
RH Transaxle Assembly No. 117-2610	8
LH Transaxle Assembly No. 117-2611	10
Hydro Idler Arm Assembly	12
Fuel Tank and Hose Assembly	13
Seat Mounting Assembly	14
Seat Assembly No. 120-7886	15
Motion Control Assembly	16
Parking Brake Assembly	17
Engine, Muffler and Control Panel Assembly	18
Deck Lift Assembly	20
Height-of-Cut Assembly No. 120-2530	21
Deck Assembly	22
Deck Decal Assembly No. 120-2461	24
Deflector Assembly No. 120-2451	25
Idler Assembly	26
Electrical Assembly	27
Attachments and Accessories	28



Frame and Caster Wheel Assembly

Ref.	Part Number	Qty.	Description	Ref.	Part Number	Qty.	Description
1	1-513658	2	Bumper	13:6	116-0205	2	Decal-Belt Drive
4	104-8301	10	Nut-Flange, NI	13:7	116-3303	1	Decal-Slope
6	116-6380	2	Bumper-Rubber (W/ Stud)	13:8	116-4858	1	Decal-Spark Arrester
7	109-9869	1	Bumper-Rear, LH	13:9	117-1158	2	Decal-Bypass
7:2	103-2076	1	Decal-Caution	14	120-7896-03	1	Guard-Muffler
8	116-8898-01	1	Floorpan	15		2	Front Caster W/Fork ASM ●
9	116-0508-03	1	Bumper-Rear, RH	16	119-2691	1	Rear Guard ASM
10	120-3280	1	Motion Control Cover, RH	16:2	67-7320	1	Decal
10:2	109-7232	1	Decal-Motion Control	17	107-3154	2	Nut-Push
10:3	116-5944	1	Decal-Park Brake	18	3231-22	7	Screw-CARR
11	120-3279	1	Motion Control Cover, LH	19	3231-25	3	Bolt-CARR
11:2	109-7232	1	Decal-Motion Control	21	32144-10	4	Screw-HWH
12	116-0231	1	ROPS ASM	22	1-811010	2	Plug
13	117-8591	1	Frame ASM	23	120-3265	1	Grommet
13:2	68-3640	1	Decal	24	119-2607-03	1	Guard-Muffler, Side
13:4	116-1654	1	Decal-Fuel Fill	31	104-7201	2	Nut-HF
13:5	120-5891	2	Decal				

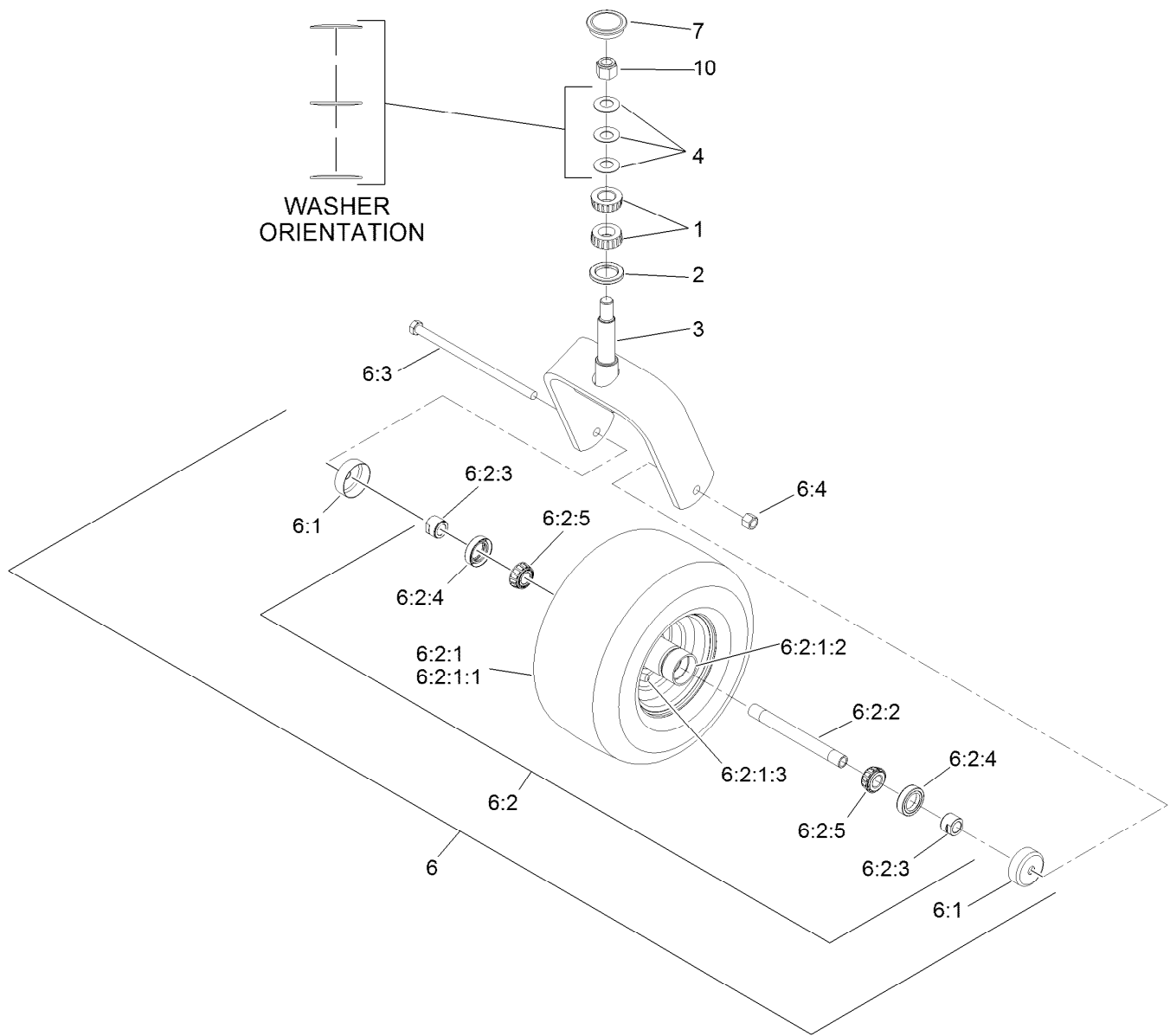
● Not serviced separately



Roll-Over Protection System Assembly No. 116-0231

Ref.	Part Number	Qty.	Description
1		1	LH ROPS Leg ASM ●
2		1	RH ROPS Leg ASM ●
3	109-6653	2	Spacer
4		1	Upper ROPS ASM ●
4:2	107-2102	1	Decal-Warning, Folding ROPS
5	109-5337	2	Bumper-ROPS
6	116-0104	2	Spring Pin ASM
7	99-5107	6	Nut-Lock
8	3233-10	2	Screw-CARR
9	325-17	4	Screw-HH
10	109-9505	4	Washer-Spring
11	109-9233	1	Bumper-Push-In, Rubber
12	116-0090	1	Decal-Caution
14	116-0960	2	Spacer

● Not serviced separately

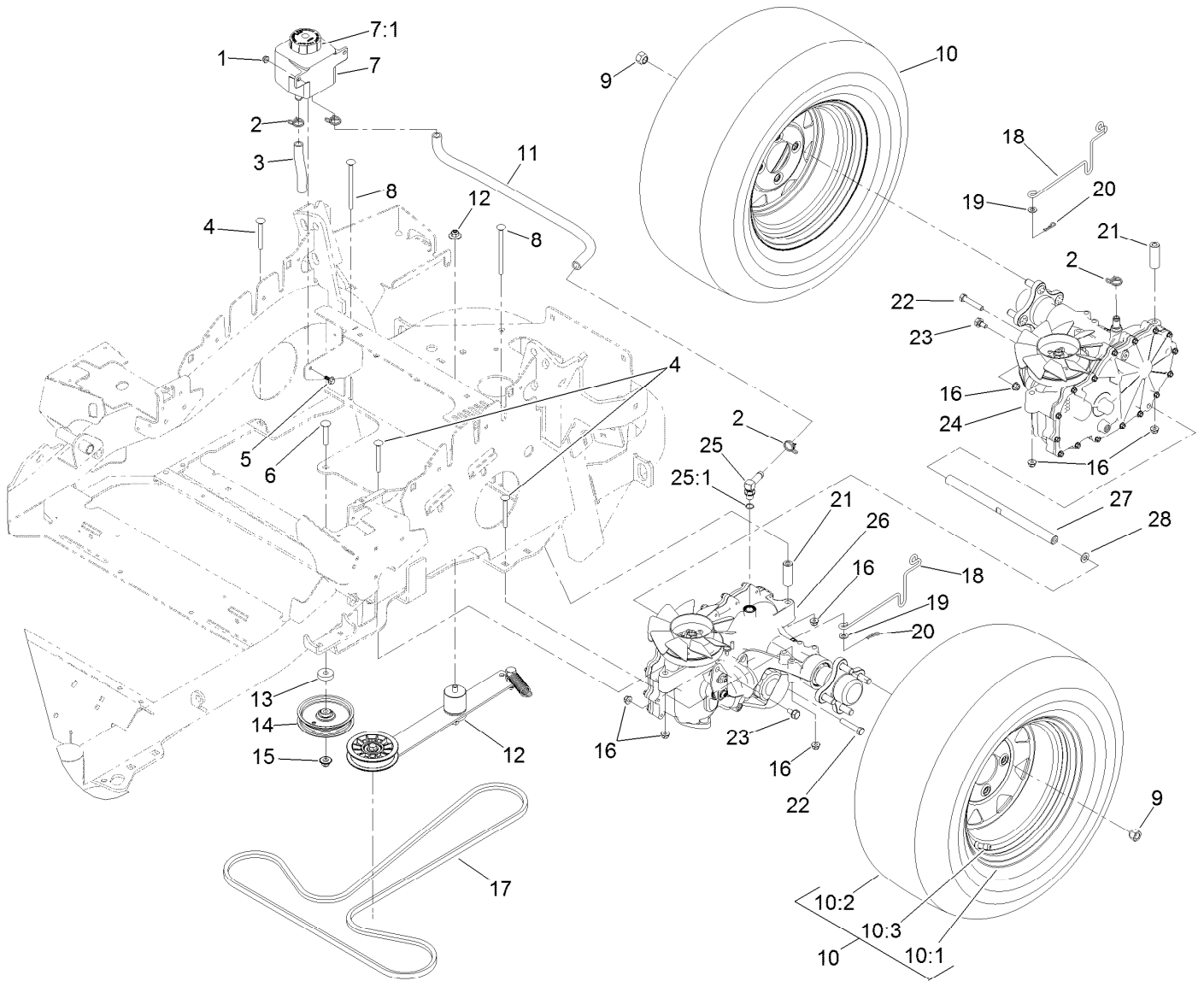


Fork and Caster Wheel Assembly

Ref.	Part Number	Qty.	Description
1	1-543509	2	Bearing-Roller, Tapered
2	116-5647	1	Seal-Grease
3	116-6707-01	1	Caster
4	1-633508	3	Washer-Bellville
6	117-0361	1	Castor Wheel ASM
6:1	103-2768	2	Guard-Seal
6:2		1	Wheel ASM ●
6:2:1		1	Wheel And Tire ASM ●
6:2:1:1	1-523009	1	Tire
6:2:1:2	1-633584	2	Bearing-Cup

Ref.	Part Number	Qty.	Description
6:2:1:3	5108	1	Valve
6:2:2	103-5156	1	Axle-Caster
6:2:3	103-3051	2	Spacer-Nut
6:2:4	103-0063	2	Seal-Caster
6:2:5	1-633585	2	Bearing-Cone, Taper
6:3	325-39	1	Screw-HH
6:4	3296-23	1	Nut-Lock, NI
7	103-4882	1	Cap-Grease
10	3296-51	1	Nut-Lock, NI

● Not serviced separately

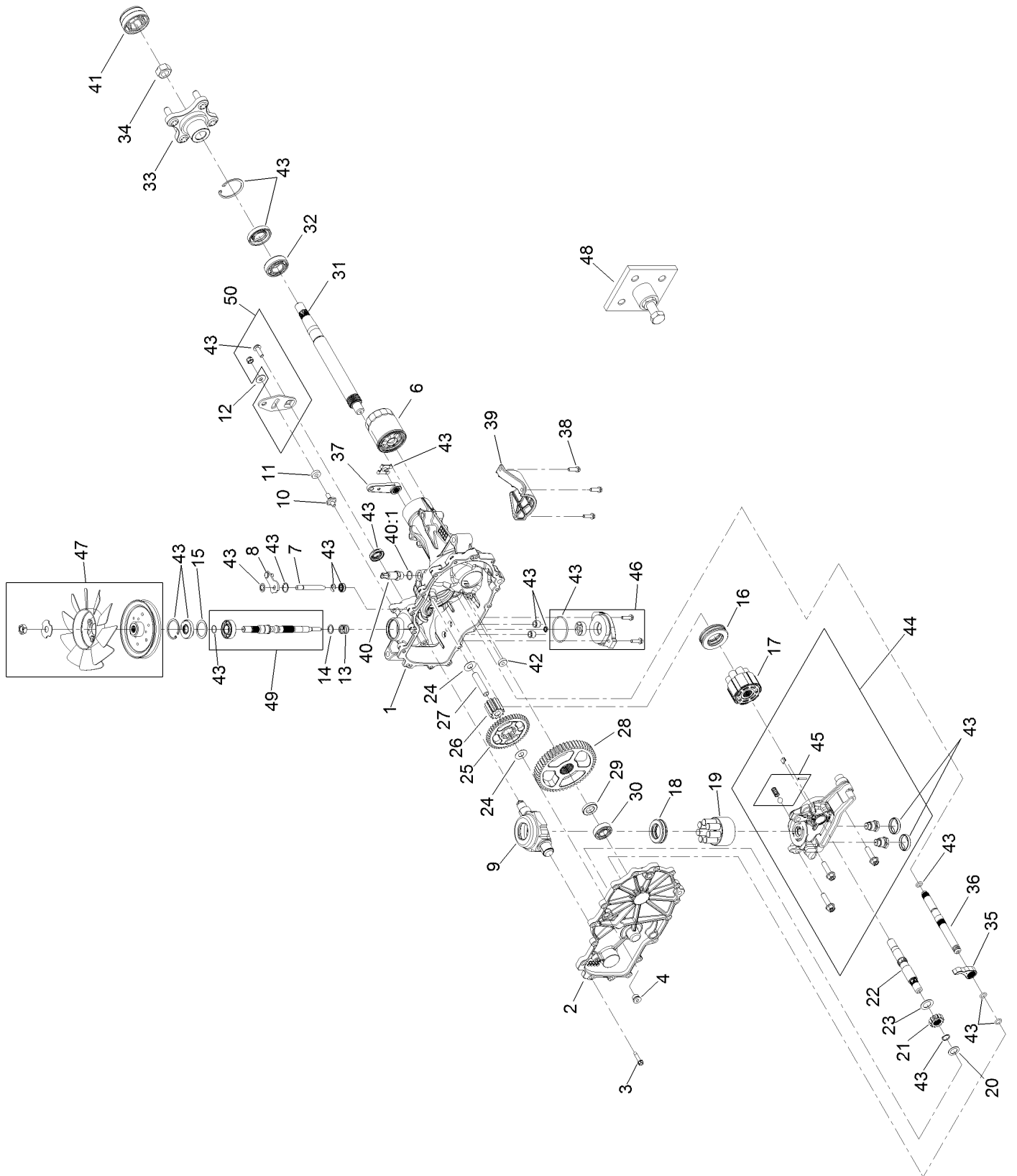


Hydro Drive System Assembly

Ref.	Part Number	Qty.	Description	Ref.	Part Number	Qty.	Description
1	104-7201	2	Nut-HF	14	93-1622	1	Pulley-Idler
2	117-1193	4	Clamp-Hose	15	109-6658	1	Nut-Flange, NI
3	119-2642	1	Hose-HYD	16	104-8300	10	Nut-Flange, NI
4	3230-9	6	Screw-CARR	17	114860	1	Belt-V
5	99-6810	2	Screw-HH	18	115-4990	2	Rod-Bypass
6	117-9971	1	Bolt-Carriage	19	3256-23	2	Washer-Flat
7	109-2250	1	Vent-Tank, Hydro	20	1-806003	2	Pin-Cotter, Hair
7:1	109-3320	1	Cap-Reservoir, HYD	21	109-3652	2	Spacer-Hydro
8	3230-30	2	Screw-CARR	22	94-7972	2	Screw-HH W/Loctite
9	242-50	8	Nut-Lug	23	37-8771	2	Bolt-Shoulder
10	119-2685	2	Wheel And Tire ASM	24	117-2610	1	RH Transaxle ASM
10:1	120-3272	1	Wheel	25	109-6449	1	Fitting-Elbow, 90
10:2	120-3269	1	Tire	25:1	237-42	1	O-Ring
10:3	232-27	1	Stem-Valve	26	117-2611	1	LH Transaxle ASM
11	119-2689	1	Hose-HYD	27	117-8585	1	Shaft-Cross, Hydro
12	119-2689	1	Hydro Idler Arm ASM ●	28	3256-24	1	Washer-Flat
13	105-7788	1	Spacer				

● Not serviced separately

RH Transaxle Assembly No. 117-2610

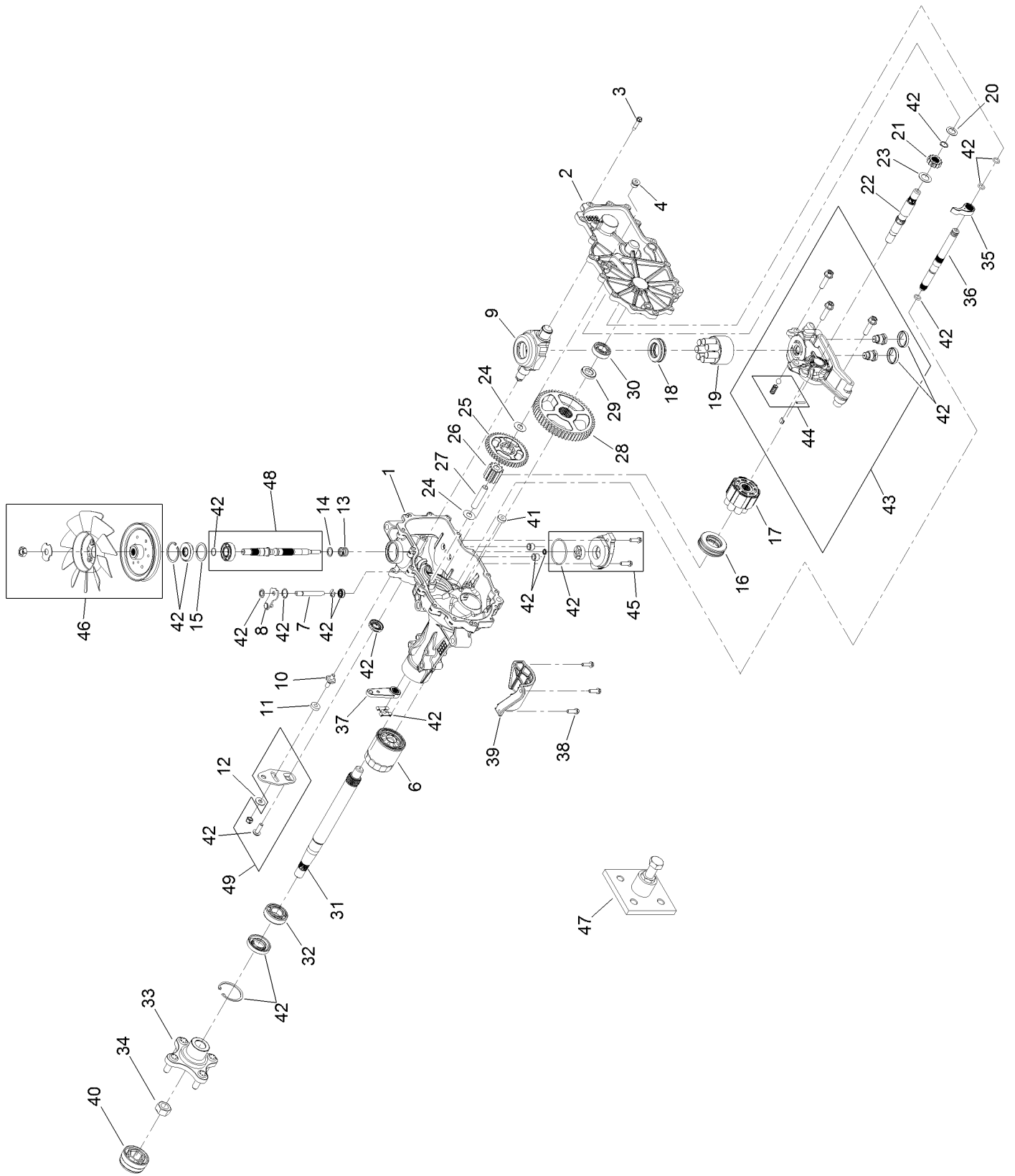


RH Transaxle Assembly No. 117-2610 (continued)

<i>Ref.</i>	<i>Part Number</i>	<i>Qty.</i>	<i>Description</i>	<i>Ref.</i>	<i>Part Number</i>	<i>Qty.</i>	<i>Description</i>
1	121-3231	1	RH Main Housing Kit	26	120-7974	1	Gear-11T
2	121-3232	1	RH Side Cover Kit	27	104-5329	1	Pin-Jackshaft
3	117-5359	16	Screw-HHF	28	121-3237	1	Gear-54T
4	104-2189	1	Plug-Thread, Straight	29	120-7975	1	Spacer
5	104-2147	1	Sealant ●	30	114-1696	1	Bearing-Ball
6	109-3321	1	Element-Oil Filter, HYD	31	121-3238	1	Shaft-Axle
7	114-1685	1	Rod-Bypass	32	104-2143	1	Bearing-Ball
8	107-2490	1	Arm-Bypass	33	109-5939	1	Hub Kit
9	104-5304	1	Swashplate-Trunnion	34	109-3536	1	Nut-Hub
10	104-2116	1	Stud	35	114-1697	1	Pawl-Brake
11	112-9853	1	Puck-Friction	36	120-7977	1	Brake Shaft Kit
12	114-8491	1	Washer	37	125-0021	1	Handle-Brake
13	120-5537	1	Spring-Compression	38	121-3242	3	Screw-HF
14	120-5538	1	Washer	39	120-7981	1	Guard-Filter, RH
15	104-5308	1	Spacer	40	109-3278	1	Adapter-Straight
16	109-2865	1	Bearing-Thrust	40:1	1-603921	1	O-Ring
17	114-1689	1	Motor Cylinder Block Kit	41	115-5057	1	Cover-Nut, Axle
18	121-3235	1	Bearing-Thrust, Plastic Cage	42	104-5330	1	Magnet-Ring
19	121-3236	1	7 Piston Block ASM	43	121-3243	1	Seal Kit
20	104-5339	1	Washer-Flat	44	121-3244	1	RH Center Section Kit
21	120-7972	1	Gear-13T	45	114-8464	1	Charge Relief Kit
22	114-1691	1	Shaft-Motor	46	121-3246	1	Charge Pump Kit
23	104-5360	1	Washer	47	121-3247	1	Fan And Pulley Kit
24	94-1933	2	Washer	48	114-8467	1	Hub-Puller, 4 Bolt
25	120-7973	1	Gear-46T	49	121-3248	1	Input Shaft Kit
				50	117-5362	1	Arm Control Kit

● Not illustrated

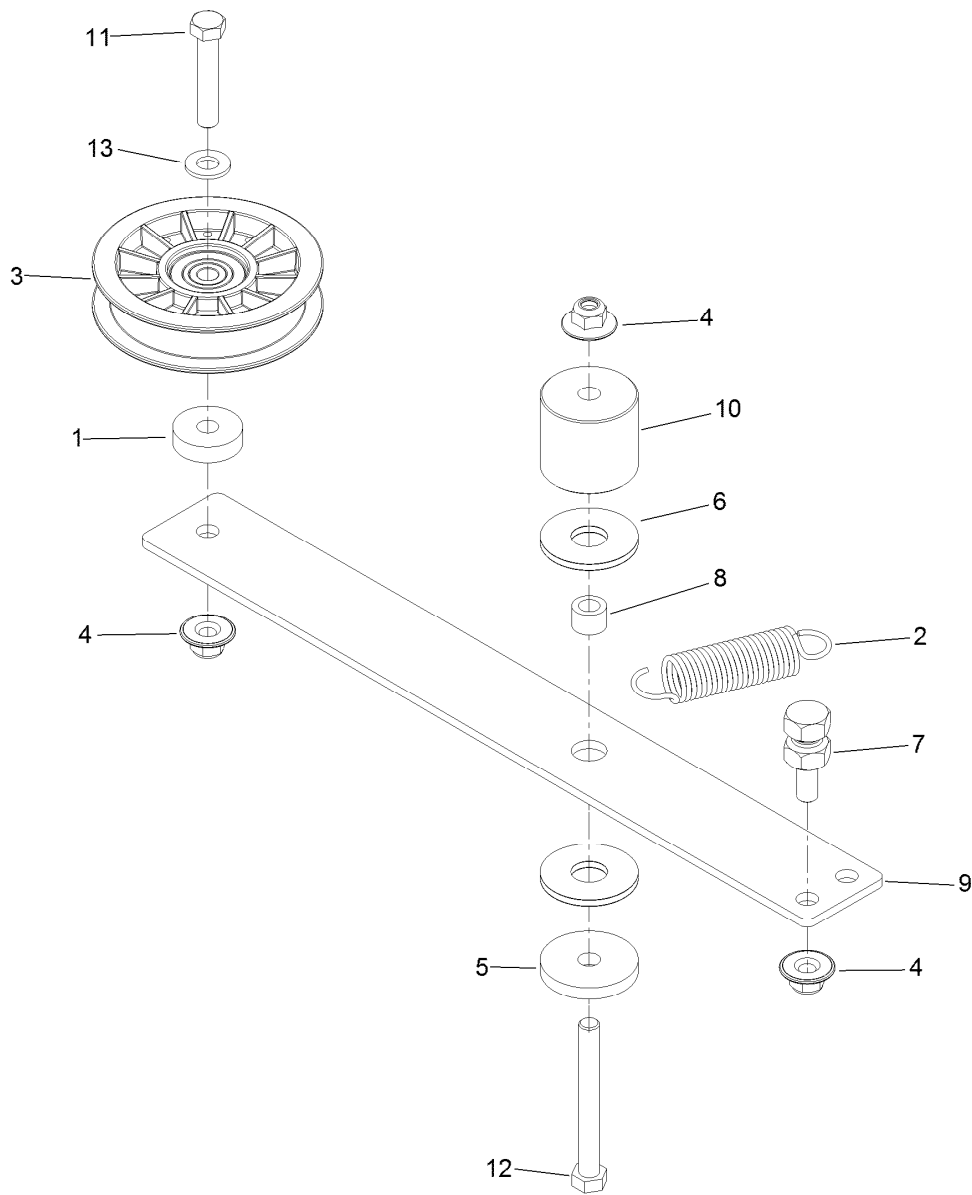
LH Transaxle Assembly No. 117-2611



LH Transaxle Assembly No. 117-2611 (continued)

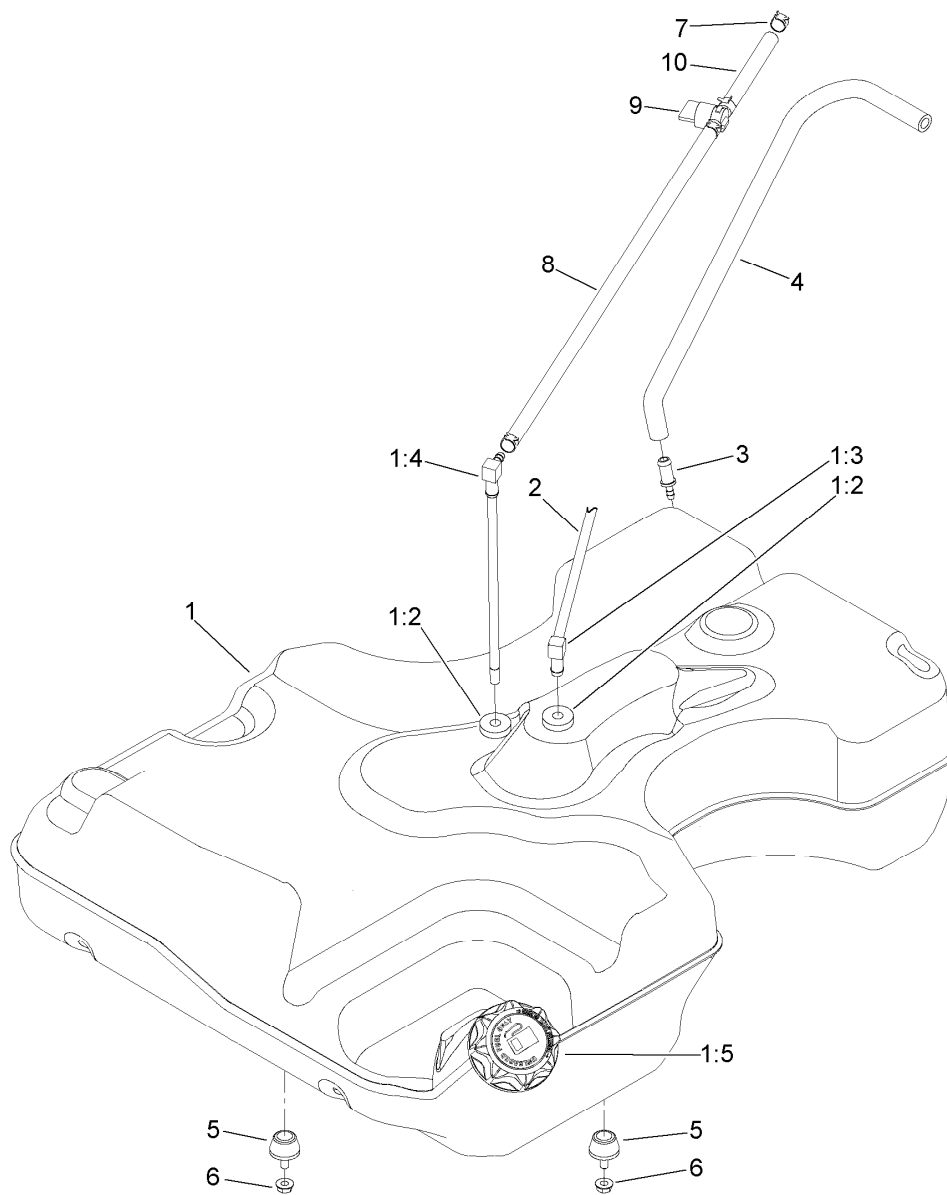
<i>Ref.</i>	<i>Part Number</i>	<i>Qty.</i>	<i>Description</i>	<i>Ref.</i>	<i>Part Number</i>	<i>Qty.</i>	<i>Description</i>
1	121-3233	1	LH Main Housing Kit	25	120-7973	1	Gear-46T
2	121-3234	1	LH Side Cover Kit	26	120-7974	1	Gear-11T
3	117-5359	16	Screw-HHF	27	104-5329	1	Pin-Jackshaft
4	104-2189	1	Plug-Thread, Straight	28	121-3237	1	Gear-54T
5	104-2147	1	Sealant ●	29	120-7975	1	Spacer
6	109-3321	1	Element-Oil Filter, HYD	30	114-1696	1	Bearing-Ball
7	114-1685	1	Rod-Bypass	31	121-3238	1	Shaft-Axle
8	107-2490	1	Arm-Bypass	32	104-2143	1	Bearing-Ball
9	104-5304	1	Swashplate-Trunnion	33	109-5939	1	Hub Kit
10	104-2116	1	Stud	34	109-3536	1	Nut-Hub
11	112-9853	1	Puck-Friction	35	114-1697	1	Pawl-Brake
12	114-8491	1	Washer	36	114-1698	1	Shaft-Inboard Brake
13	120-5537	1	Spring-Compression	37	125-0021	1	Handle-Brake
14	120-5538	1	Washer	38	121-3242	3	Screw-HF
15	104-5308	1	Spacer	39	120-7979	1	Guard-Filter, LH
16	109-2865	1	Bearing-Thrust	40	115-5057	1	Cover-Nut, Axle
17	114-1689	1	Motor Cylinder Block Kit	41	104-5330	1	Magnet-Ring
18	121-3235	1	Bearing-Thrust, Plastic Cage	42	121-3243	1	Seal Kit
19	121-3236	1	7 Piston Block ASM	43	121-3245	1	LH Center Section Kit
20	104-5339	1	Washer-Flat	44	114-8464	1	Charge Relief Kit
21	120-7972	1	Gear-13T	45	121-3246	1	Charge Pump Kit
22	114-1691	1	Shaft-Motor	46	121-3247	1	Fan And Pulley Kit
23	104-5360	1	Washer	47	114-8467	1	Hub-Puller, 4 Bolt
24	94-1933	2	Washer	48	121-3248	1	Input Shaft Kit
				49	117-5362	1	Arm Control Kit

● Not illustrated



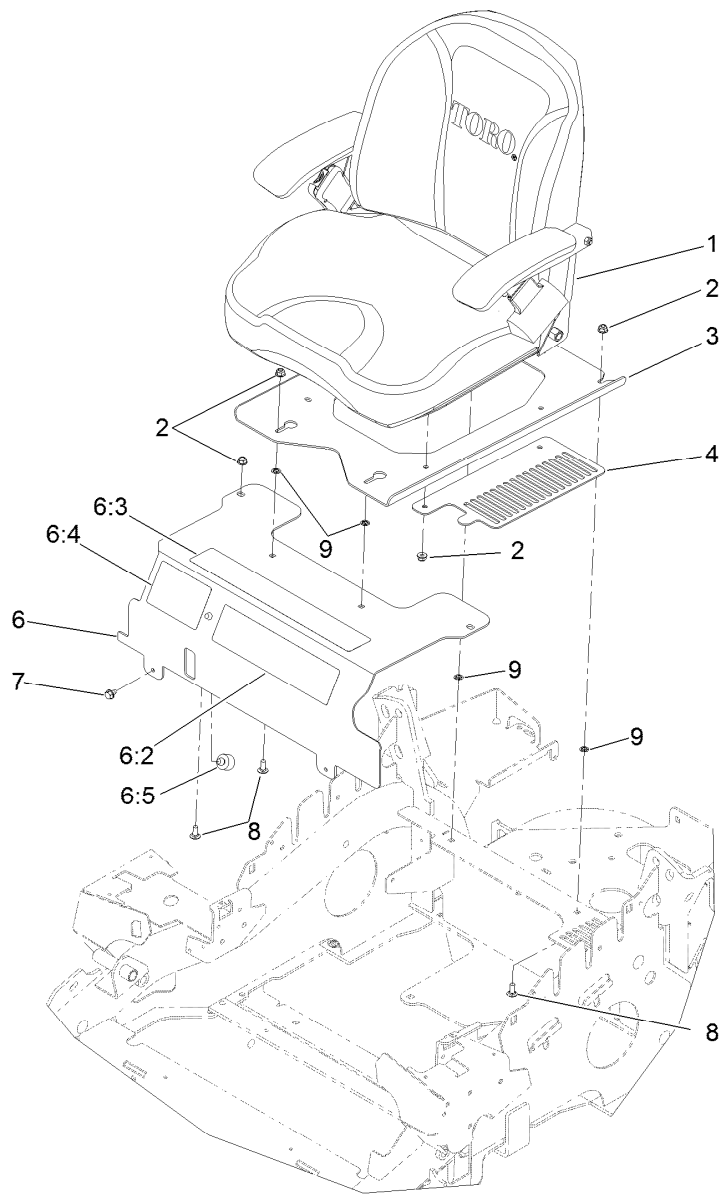
Hydro Idler Arm Assembly

<i>Ref.</i>	<i>Part Number</i>	<i>Qty.</i>	<i>Description</i>
1	105-7788	1	Spacer
2	108-4056	1	Spring-Extension
3	109-3397	1	Pulley-Idler, Flat
4	109-6658	3	Nut-Flange, NI
5	110-9981	1	Washer-Plain
6	114-0463	2	Washer-Friction, Composite
7	114-5866	1	Anchor-Spring, Short
8	115-4986	1	Spacer
9	119-9914	1	Arm-Idler, Hydro
10	119-2657	1	Spacer-Plain
11	323-10	1	Screw-HH
12	323-20	1	Screw-HH
13	3256-24	1	Washer-Flat



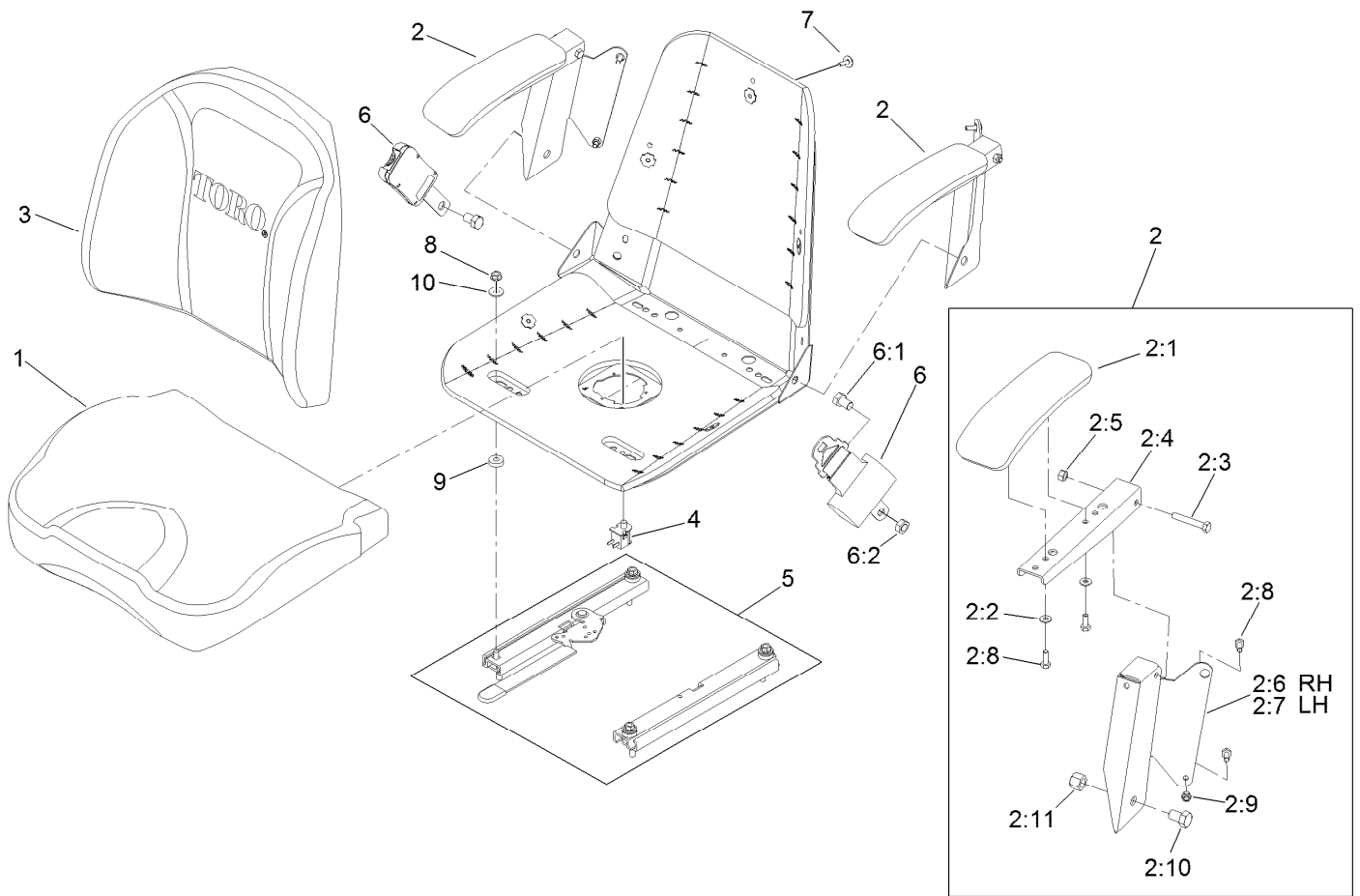
Fuel Tank and Hose Assembly

Ref.	Part Number	Qty.	Description
1	125-4765	1	Fuel Tank ASM
1:2	46-6560	2	Bushing
1:3	116-2288	1	Fitting-90 Elbow, 0.043 Orifice
1:4	125-4767	1	Fuel Line ASM
1:5	116-1704	1	Cap-Fuel, Ratcheting
2	119-6074	1	Hose-Fuel
3	98-2952	1	Fitting-Straight
4	119-8562	1	Hose-Fuel
5	109-2365	2	Rubber Bumper ASM
6	32128-33	2	Nut-HF
7	2412-98	4	Clamp-Hose
8	110-5701	1	Hose-Fuel
9	1-603770	1	Valve-Fuel
10	109-0650	1	Hose-Fuel



Seat Mounting Assembly

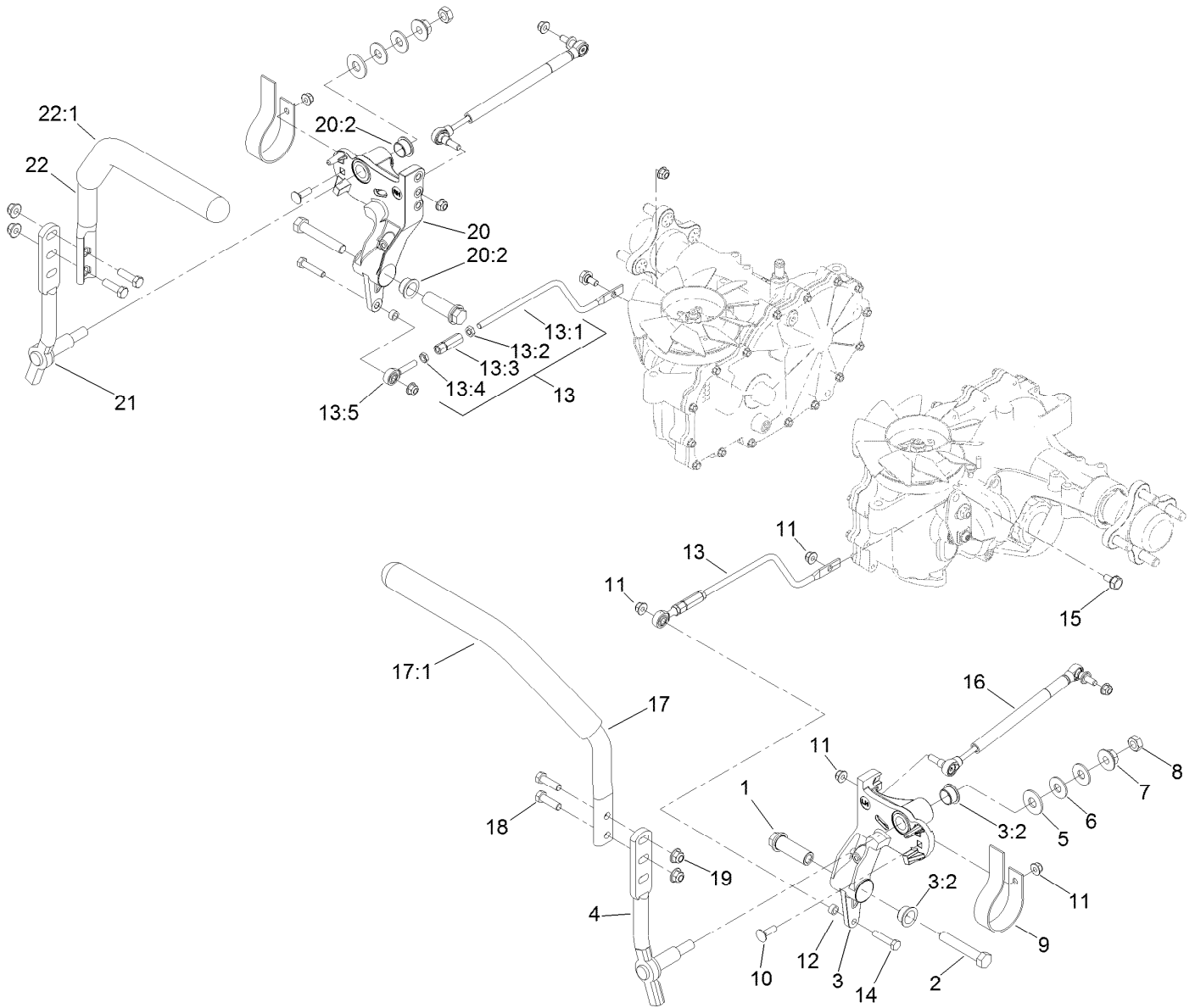
<i>Ref.</i>	<i>Part Number</i>	<i>Qty.</i>	<i>Description</i>
1	120-7886	1	Seat
2	104-8300	10	Nut-Flange, NI
3	117-8615-03	1	Plate-Mount, Seat
4	117-8618-03	2	Plate-Cover, Fan
6	119-2597	1	Seat Mount Panel ASM
6:2	114-5878	1	Decal
6:3	109-7069	1	Decal-Console
6:4	121-3223	1	Decal-Service Aid
6:5	120-7893	1	Bumper-Grommet
7	9266934	2	Screw
8	3230-23	6	Screw-CARR
9	117-2749	4	Nut-Push



Seat Assembly No. 120-7886

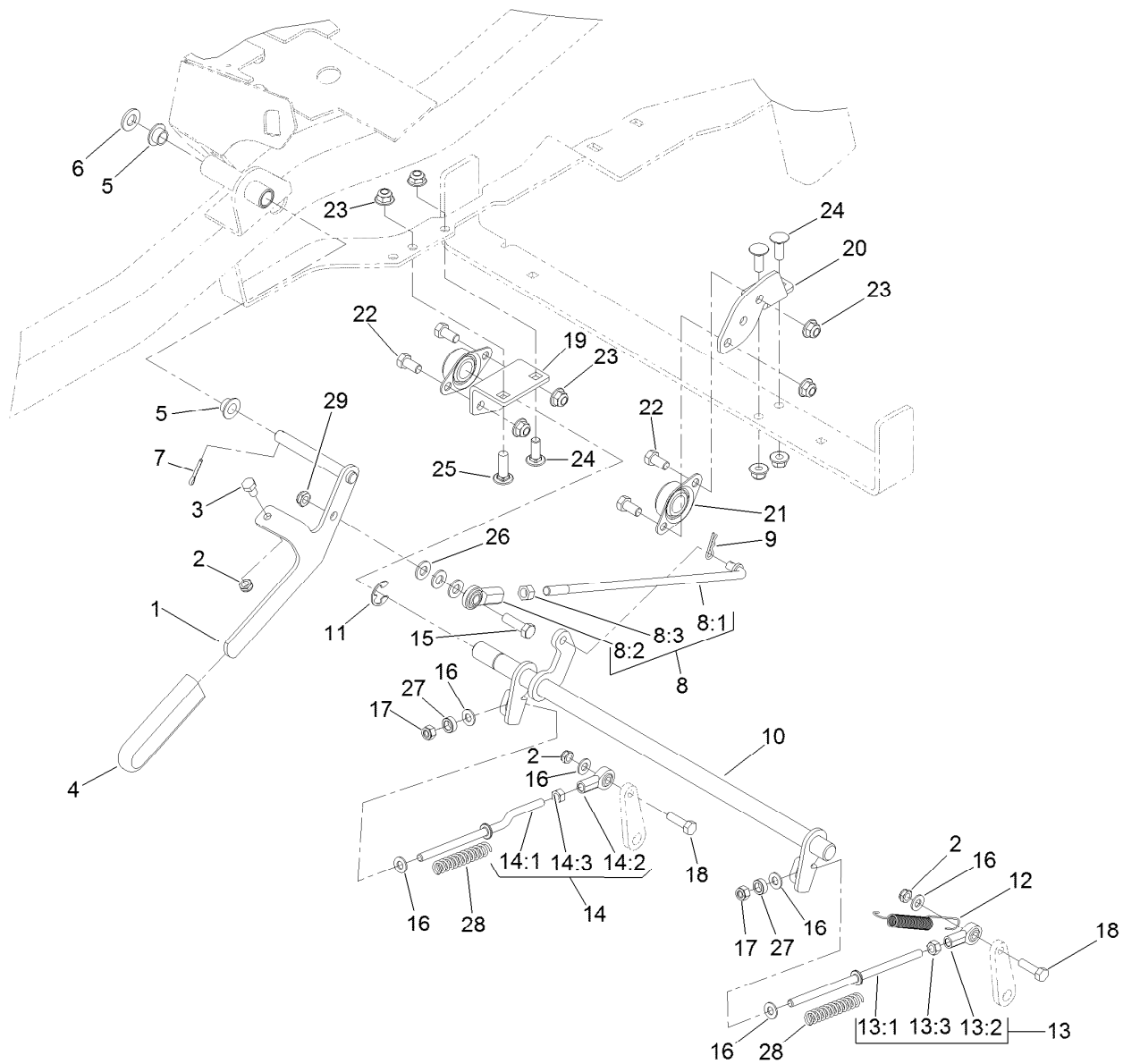
Ref.	Part Number	Qty.	Description
1	121-4751	1	Cushion-Seat, Bottom
2	110-5719	1	Armrest Kit
2:1	110-4163	2	Cushion-Rest, Arm
2:2	3256-22	4	Washer-Flat
2:3	322-10	2	Screw-HH
2:4	105-3623	2	Channel-Armrest
2:5	32153-3	2	Nut-Hex, Side Deform
2:6	105-3621	1	Bracket-Armrest, RH
2:7	105-3622	1	Bracket-Armrest, LH
2:8	321-30	8	Screw-HH
2:9	3296-42	4	Nut-Lock, NI
2:10	325-2	2	Screw-HH

Ref.	Part Number	Qty.	Description
2:11	3296-23	2	Nut-Lock, NI
3	121-4752	1	Cushion-Seat, Back
4	82-2190	1	Switch-Bail
5	121-4754	1	Track-Seat
6	116-2981	1	Seat Belt Kit
6:1	325-2	2	Screw-HH
6:2	3296-23	2	Nut-Lock, NI
7	103-8383	7	Bolt-Seat
8	32128-20	4	Nut-HF
9	26-4840	8	Spacer-Pin, Mounting
10	3256-3	6	Washer-Flat



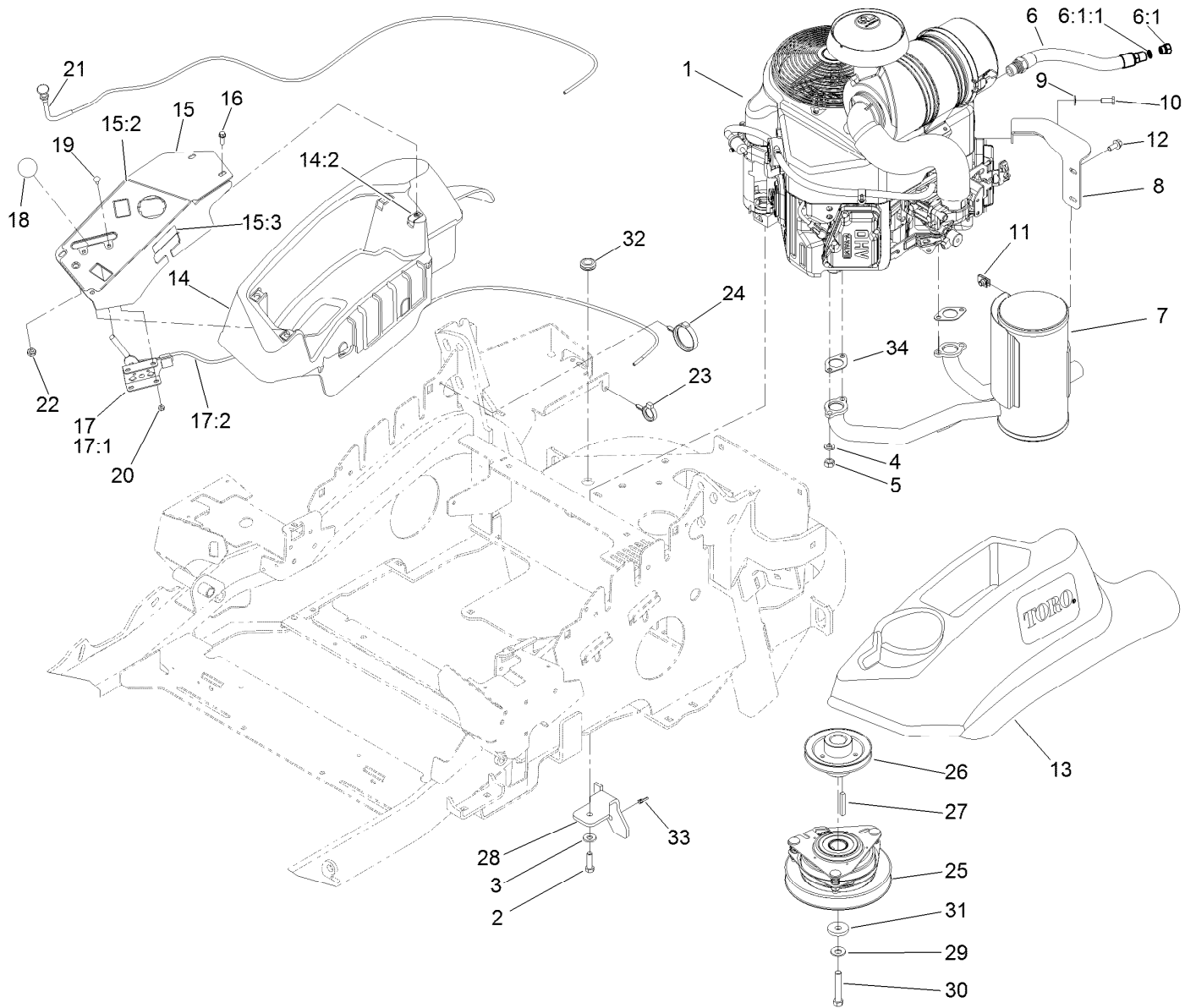
Motion Control Assembly

Ref.	Part Number	Qty.	Description	Ref.	Part Number	Qty.	Description
1	109-5891	2	Hub-Threaded	13:3	109-3728	1	Nut-Rod Adjustment
2	325-12	2	Screw-HH	13:4	3220-20	1	Nut-Jam
3	116-0881	1	LH Motion Control And Bushing ASM	13:5	2411-53	1	Bearing-Rod End, LH
3:2	109-8054	4	Bushing-Flange	14	322-7	2	Screw-HH
4	116-0040	1	Lever-Control Motion, LH	15	37-8771	2	Bolt-Shoulder
5	3256-6	2	Washer-Flat	16	116-0027	2	Damper-Control, Motion
6	109-9505	4	Washer-Spring	17	109-6590	1	LH Steering Handle ASM
7	32128-56	2	Nut-HF	17:1	109-5668	1	Grip-Control, Lever
8	3218-5	2	Nut-Jam	18	323-7	4	Screw-HH
9	109-5575	2	Spring-Leaf	19	104-8301	4	Nut-Flange, NI
10	3230-2	2	Bolt-CARR	20	116-0880	1	RH Motion Control And Bushing ASM
11	104-8300	10	Nut-Flange, NI	20:2	109-8054	4	Bushing-Flange
12	92-6998	2	Spacer-Yoke, Right	21	116-0039	1	Lever-Control Motion, RH
13	119-2605	2	Hydro Control Rod ASM	22	109-6589	1	RH Steering Handle ASM
13:1	119-2606	1	Rod-Control, Hydro	22:1	109-5668	1	Grip-Control, Lever
13:2	3220-2	1	Nut-Jam				



Parking Brake Assembly

Ref.	Part Number	Qty.	Description	Ref.	Part Number	Qty.	Description
1	121-4766-03	1	Brake Handle ASM	14	121-4806	1	RH Brake Rod ASM
2	3296-47	3	Nut-Lock, NI	14:1	121-4770	1	Rod-Brake
3	322-1	1	Screw-HH	14:2	1-543017	1	Balljoint-RH
4	1-633268	1	Grip-Lever	14:3	3219-2	1	Nut-Hex
5	1-513140	2	Bearing-Control	15	323-7	1	Screw-HH
6	106-9888	1	Washer-Flat	16	3256-23	6	Washer-Flat
7	3272-10	1	Pin-Cotter	17	3296-4	2	Nut-Lock
8	121-4807	1	Brake Link ASM	18	322-16	2	Screw-HH
8:1	121-4795	1	Rod-Link, Brake	19	121-4761-01	1	Bracket-Shaft Mount, RH
8:2	103-0608	1	Joint-Ball, End	20	121-4793-01	1	Bracket-Shaft Mount, LH
8:3	3219-3	1	Nut-Hex	21	1-633102	2	Bearing-Flange, Side
9	3290-307	3	Pin-Hair	22	323-4	4	Screw-HH
10	121-4804-03	1	Brake Shaft ASM	23	104-8301	8	Nut-Flange, NI
11	32151-48	1	E-Ring	24	3231-22	3	Screw-CARR
12	110769	1	Spring-Extension	25	3231-28	1	Screw-CARR
13	121-4805	1	LH Brake Rod ASM	26	3256-24	3	Washer-Flat
13:1	121-4755	1	Rod-Brake	27	103-5677	2	Spacer
13:2	1-543017	1	Balljoint-RH	28	1-603807	2	Spring-Return, Neutral
13:3	3219-2	1	Nut-Hex	29	3296-59	1	Nut-Lock, NI

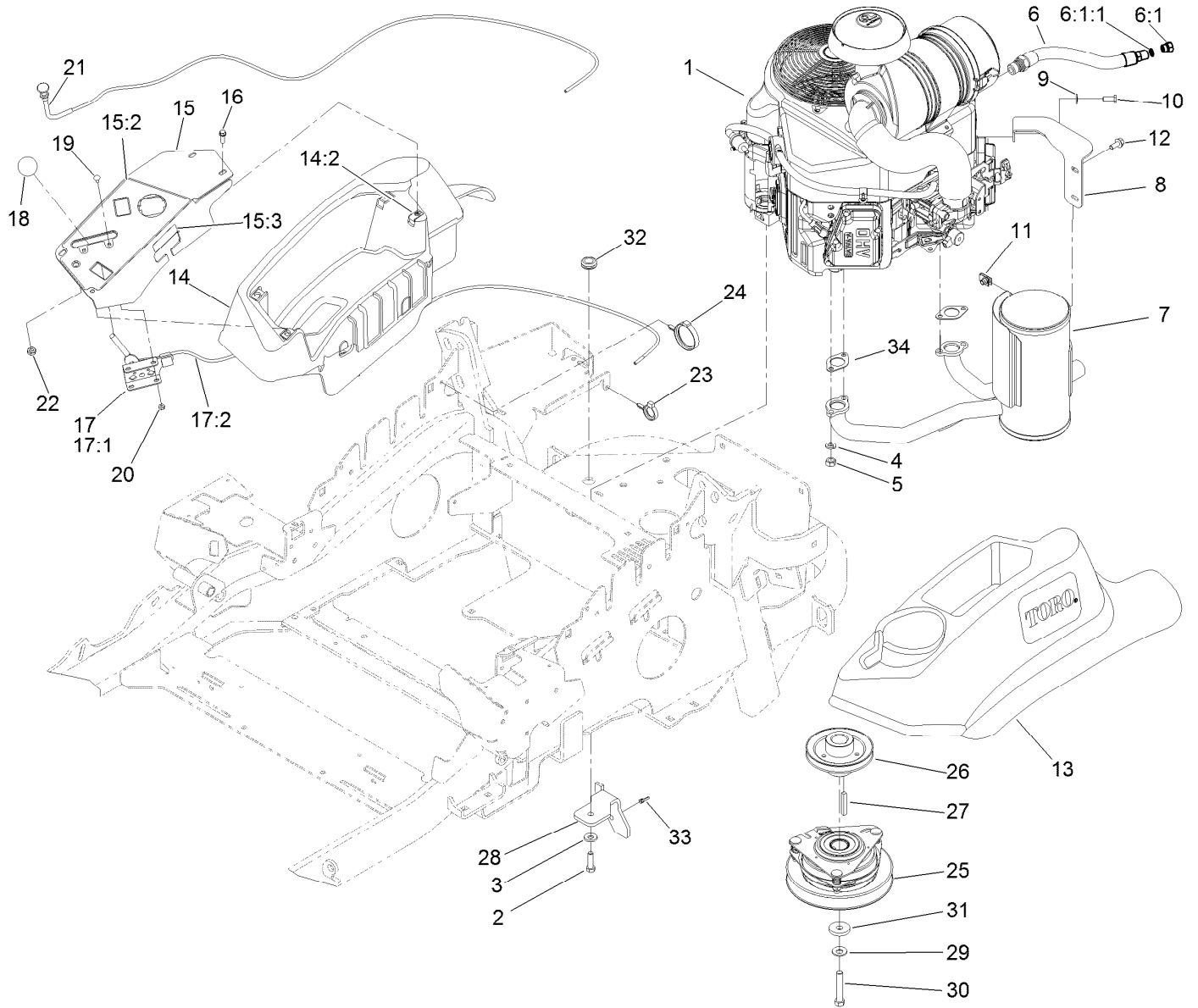


Engine, Muffler and Control Panel Assembly

Ref.	Part Number	Qty.	Description	Ref.	Part Number	Qty.	Description
1		1	Engine-Kawasaki, Fx730 ●■	15:2	119-2501	1	Decal-Panel, Control
2	323-7	4	Screw-HH	15:3	114-4466	1	Decal-Fuses
3	98-5975	4	Washer-Belleville	16	32105-15	4	Screw
4	114-3550	4	Washer-Lock, Spring	17	110-5727	1	Throttle Control ASM
5	114-3549	4	Nut	17:1	112-2334	1	Lever-Throttle
6	116-4924	1	Engine Oil Drain Hose ASM	17:2	110-5728	1	Cable-Throttle
6:1	353-508	1	Plug-HH	18	1-603175	1	Knob-Ball
6:1:1	237-42	1	O-Ring	19	1-807513	2	Bolt-CARR
7	119-2645	1	Muffler	20	3296-2	2	Nut-Lock, NI
8	119-2659	1	Bracket-Muffler	21	115-2753	1	Choke Control ASM
9	1-303334	1	Washer-Spring	22	3220-3	1	Nut-HJ
10	33114-020	1	Screw-HH	23	105-1853	1	Clamp-Hose
11	94-2413	2	U-Nut	24	117-7817	1	Clamp-Harness
12	3234-5	2	Screw-HHF	25	119-2595	1	Clutch
13	119-2602	1	Console-LH	26	119-9915	1	Pulley-Engine
14	119-2603	1	RH Console ASM	27	608006	1	Key-Square
14:2	107069	4	Clip	28	119-2658-01	1	Bracket-Stop, Clutch
15	119-2694	1	Control Panel ASM	29	1-603610	1	Washer-Spring

● Not serviced separately

■ Obtain parts from www.kawpowerpc.com



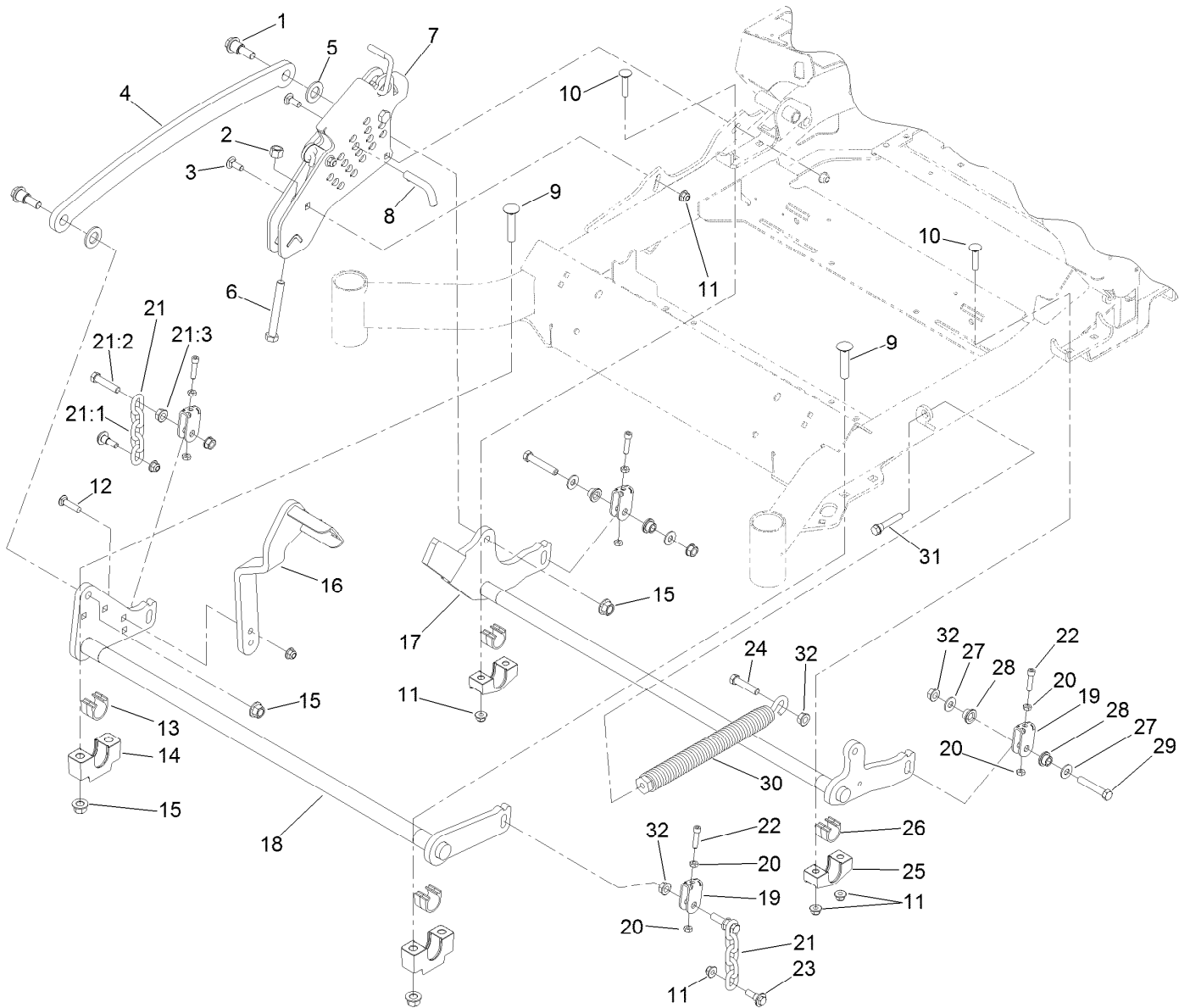
Engine, Muffler and Control Panel Assembly (continued)

Ref.	Part Number	Qty.	Description
30	3212-10	1	Screw-HH
31	107-4136	1	Washer
32	112-7069	1	Grommet

Ref.	Part Number	Qty.	Description
33	1-303287	1	Tie-Cable
34	1-653313	2	Gasket-Exhaust

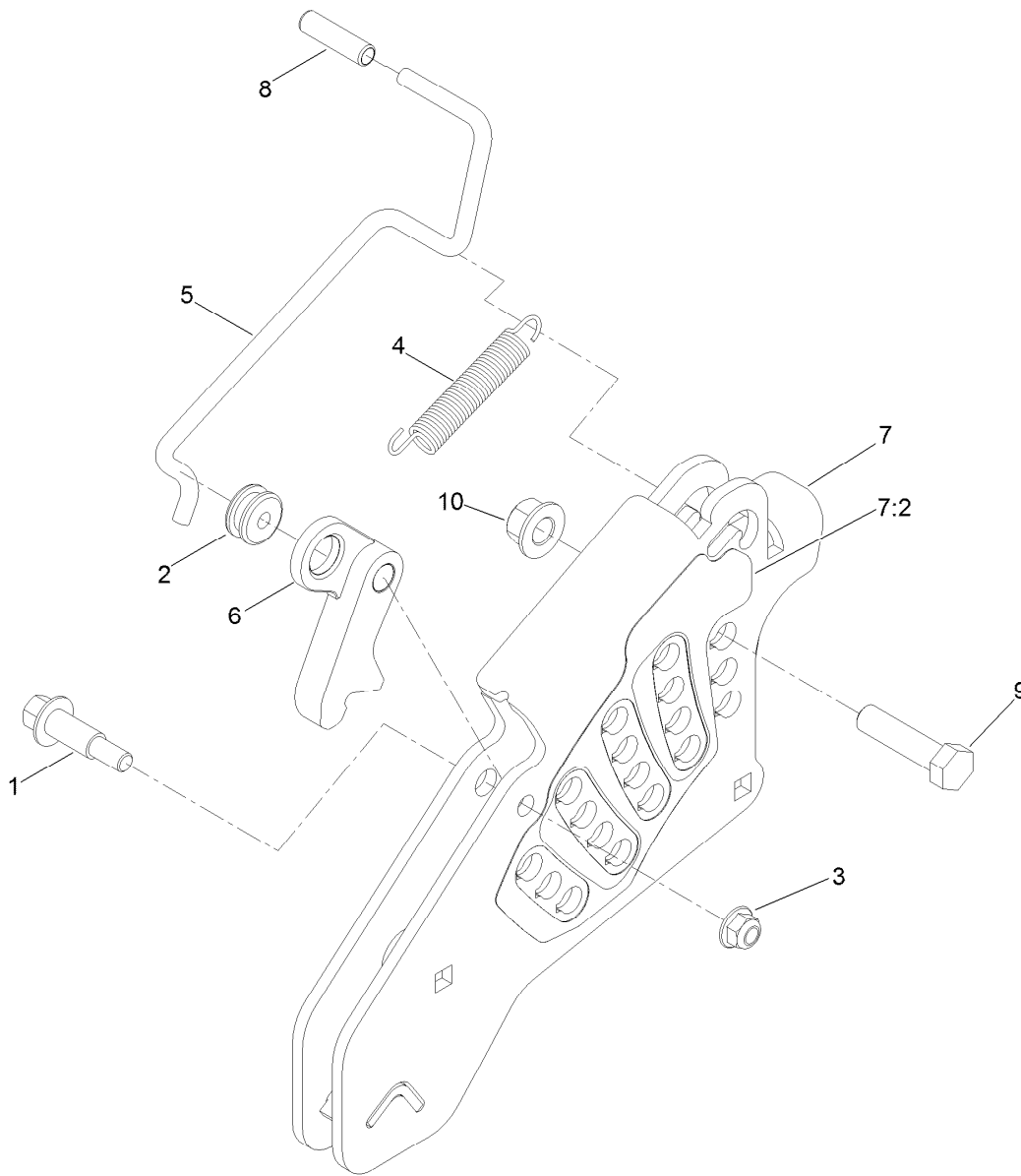
● Not serviced separately

■ Obtain parts from www.kawpowerpc.com



Deck Lift Assembly

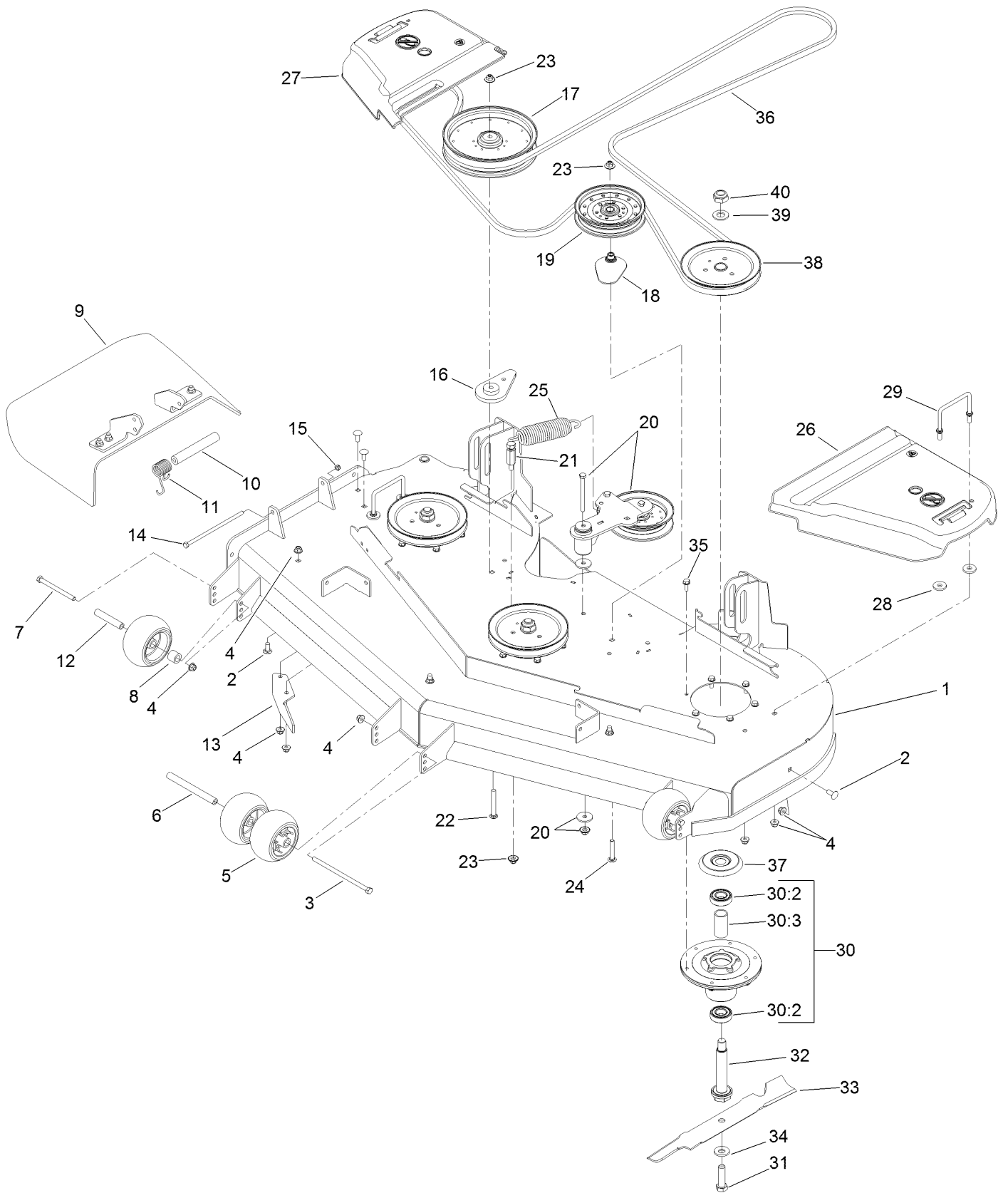
Ref.	Part Number	Qty.	Description	Ref.	Part Number	Qty.	Description
1	116-0780	2	Screw-HHF, Shoulder	19	109-9066	4	Yoke-Adjust, Deck
2	3296-23	1	Nut-Lock, NI	20	3218-2	8	Nut-Jam
3	3231-2	2	Bolt-CARR	21	116-0756	2	Deck Lift Chain ASM
4	116-0797-03	1	Link-Lift, Deck	21:1	1-633447	1	Chain-Lift, Deck
5	3256-28	2	Washer-Flat	21:2	109-9065	1	Screw-HH
6	116-0559	1	Bolt-TAP	21:3	32128-37	1	Nut-HF
7	120-2530	1	HOC ASM	22	322-47	4	Screw-HH
8	116-5584	1	Pin-HOC	23	109-9840	2	Screw-Shoulder, HHF
9	116-1700	4	Bolt-CARR	24	109-9065	1	Screw-HH
10	3231-5	4	Screw-CARR	25	116-0818-03	2	Support-Cross Shaft, Rear Bearing
11	104-8301	10	Nut-Flange, NI	26	109-7173	2	Bearing-Cross Shaft, Rear
12	3231-4	2	Screw-CARR	27	3256-4	4	Washer-Flat
13	109-9410	2	Bearing-Cross Shaft, Front	28	116-2428	4	Bushing-Flanged
14	109-9409	2	Support-Cross Shaft, Front Bearing	29	324-10	2	Screw-HH
15	99-5107	6	Nut-Lock	30	116-0886	1	Extension Spring ASM
16	116-1919-01	1	Lever-Foot	31	92-7674	1	Bolt-Shoulder
17	116-0459-03	1	Lift-Deck, Rear	32	32128-37	6	Nut-HF
18	116-2217-03	1	Front Cross Shaft ASM				



Height-of-Cut Assembly No. 120-2530

<i>Ref.</i>	<i>Part Number</i>	<i>Qty.</i>	<i>Description</i>
1	62-1330	1	Bolt-Shoulder
2	109-7130	1	Grommet
3	104-8301	1	Nut-Flange, NI
4	109-7124	1	Spring-Extension
5	109-7128	1	Rod-Lock, Transport
6	116-0118	1	Pawl-Transport, HOC
7	120-2531	1	HOC Plate ASM
7:2	120-2532	1	Decal-HOC
8	109-8250	1	Grip-Lever
9	325-8	1	Screw-HH
10	99-5107	1	Nut-Lock

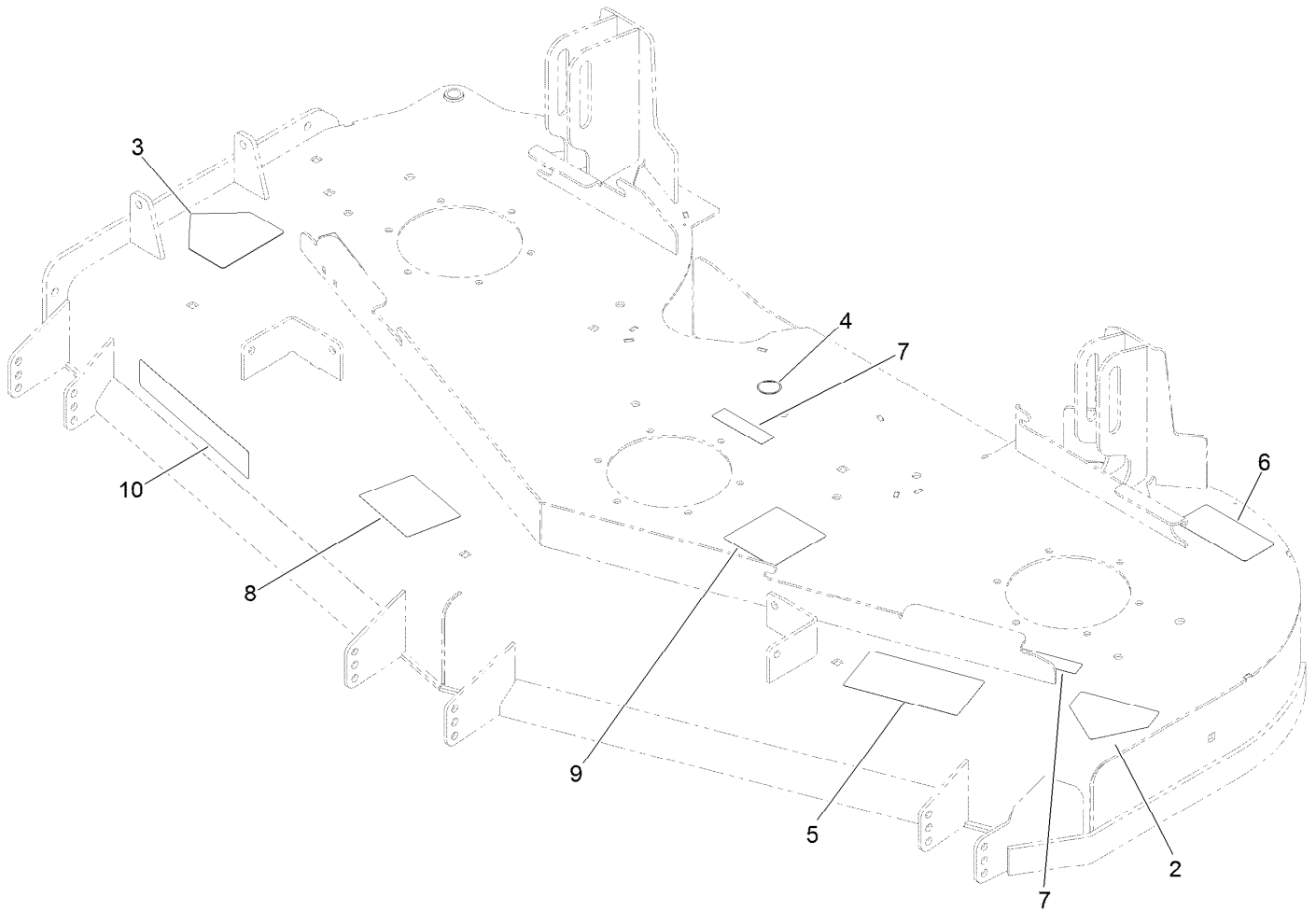
Deck Assembly



Deck Assembly (continued)

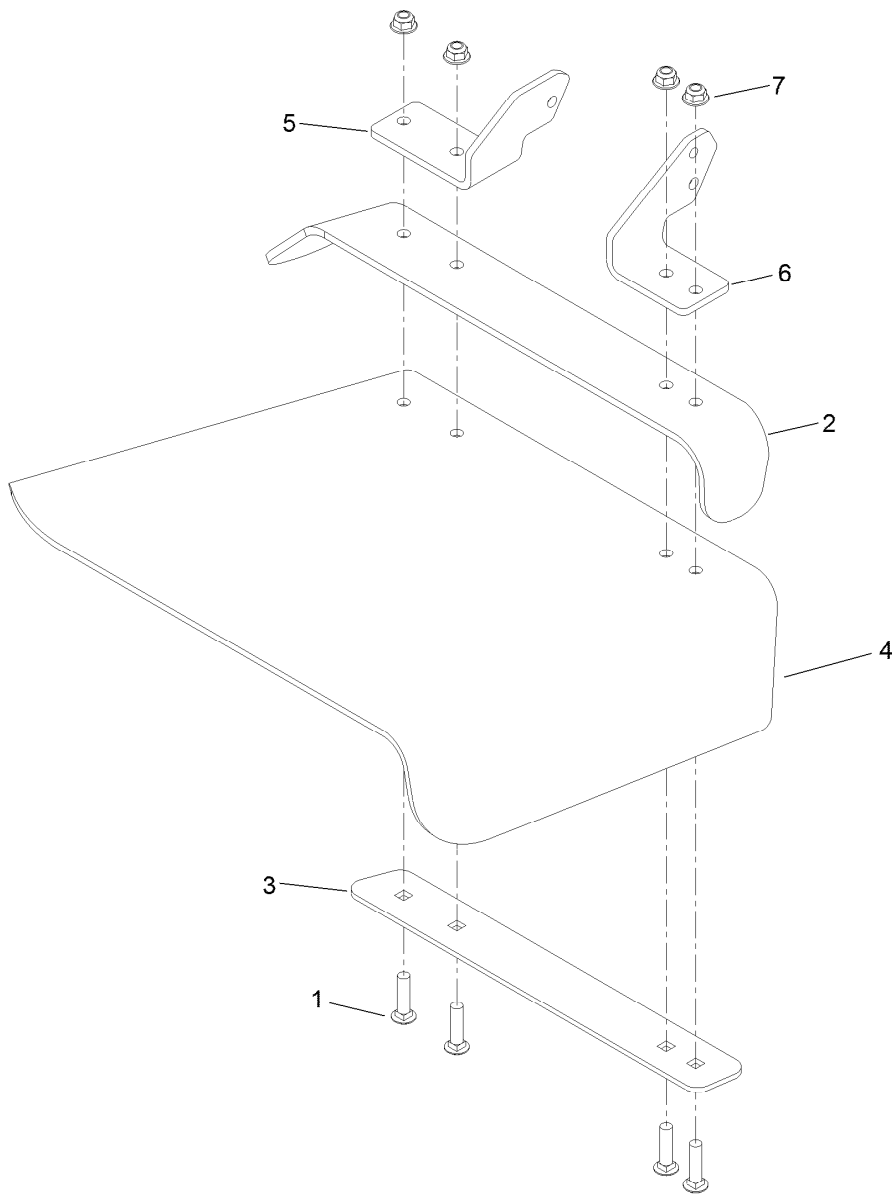
<i>Ref.</i>	<i>Part Number</i>	<i>Qty.</i>	<i>Description</i>	<i>Ref.</i>	<i>Part Number</i>	<i>Qty.</i>	<i>Description</i>
1	120-2461	1	Deck Decal ASM	22	3231-42	1	Screw-CARR
2	3231-27	6	Screw-CARR	23	109-6658	3	Nut-Flange, NI
3	108-5388	1	Screw-HH	24	3231-40	1	Bolt-CARR, Short Neck
4	104-8301	13	Nut-Flange, NI	25	116-6317	1	Spring-Extension
5	1-603299	4	Roller-Scalp, Anti	26	109-6938	1	Cover-Belt, LH
6	98-5967	1	Spacer-Wheel	27	116-0094	1	Cover-Belt, RH
7	323-23	2	Screw-HH	28	1-373034	4	Washer
8	98-7913	2	Tube-Spacer	29	109-6982	2	Wireform-Cover
9	120-2451	1	Deflector ASM	30	120-5477	3	Spindle ASM
10	105-4622	1	Spacer	30:2	116-0720	2	Bearing-Ball
11	108-4052	1	Spring-Torsion	30:3	115-2641	1	Spacer-Bearing
12	98-7912	2	Tube-Spanner	31	51-4060	3	Screw-Blade
13	106-3216-01	1	Baffle-Discharge	32	120-2505	3	Spindle-Shaft
14	322-50	1	Screw-HH	33	115-9649-03	3	Blade-Hi Flo, 20.5In
15	3296-47	1	Nut-Lock, NI	34	125-1736	3	Belleville Washer
16	109-9416	1	Spacer-Idler	35	32144-41	18	Screw-Taptite
17	109-8590	1	Pulley-Idler	36	114-5858	1	Belt-V
18	109-2872	1	Spacer-Pulley	37	117-7210	3	Shield-Bearing
19	116-4670	1	Pulley-Idler, Flat	38	120-7856	3	Pulley B Section
20		1	Idler Arm ASM ●	39	92-5836	3	Washer
21	114-5867	1	Anchor-Spring, Tall	40	3296-67	3	Nut-Lock, NI

● Not serviced separately



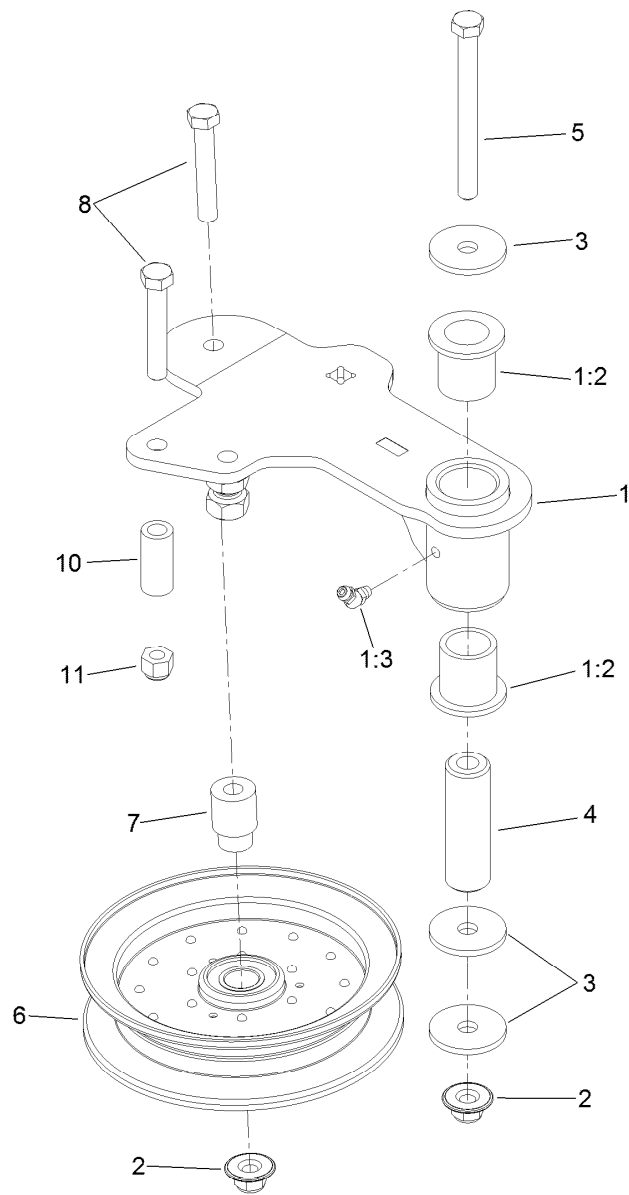
Deck Decal Assembly No. 120-2461

<i>Ref.</i>	<i>Part Number</i>	<i>Qty.</i>	<i>Description</i>
2	1-403005	1	Decal-Danger
3	54-9220	1	Decal-Danger
4	58-6520	1	Decal-Grease
5	66-1340	1	Decal-Danger, Thrown Object
6	68-8340	1	Decal-Torque
7	98-5954	3	Decal-Cover, Missing
8	112-3858	1	Decal-Anti Scalp
9	117-8639	1	Decal-Routing, Deck Belt
10	121-3206	1	Decal



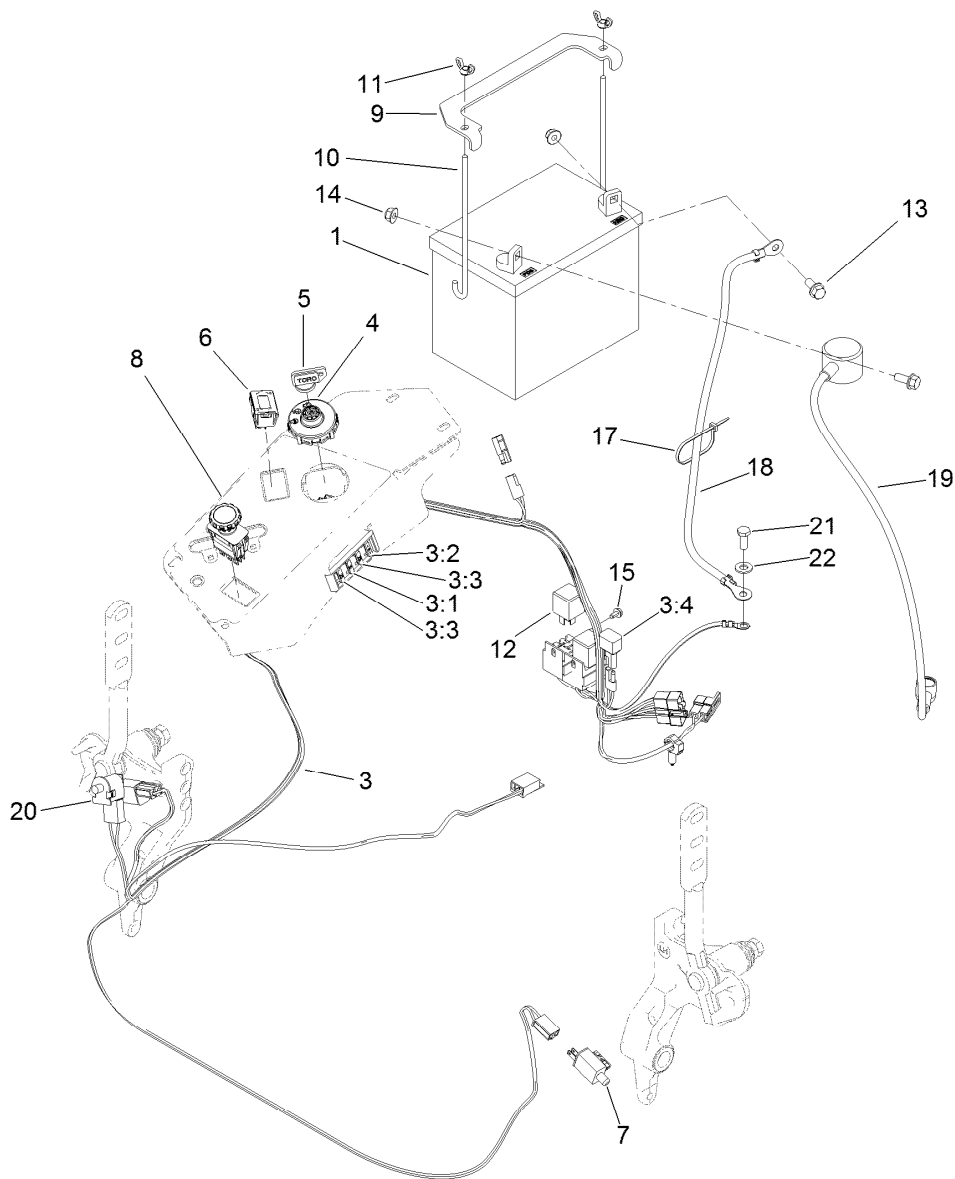
Deflector Assembly No. 120-2451

<i>Ref.</i>	<i>Part Number</i>	<i>Qty.</i>	<i>Description</i>
1	3231-4	4	Screw-CARR
2	106-3246-01	1	Deflector
3	106-3248-03	1	Strap-Discharge
4	110-0759	1	Deflector-Rubber
5	108-4059-01	1	Plate-Hinge, Rear
6	106-3253-01	1	Plate-Hinge, Front
7	104-8301	4	Nut-Flange, NI



Idler Assembly

Ref.	Part Number	Qty.	Description
1	120-2501	1	Idler Arm ASM
1:2	1-303514	2	Bearing-Flanged
1:3	1481	1	Fitting-Grease
2	109-6658	2	Nut-Flange, NI
3	1-213069	3	Washer
4	114-5848	1	Spacer-Plain
5	98-5961	1	Screw-HH
6	116-4668	1	Idler-Pulley, Flanged
7	112-4212	1	Mount-Pulley
8	323-11	2	Screw-HH
10	104-0151	1	Spacer
11	3296-39	1	Nut-Lock, NI



Electrical Assembly

<i>Ref.</i>	<i>Part Number</i>	<i>Qty.</i>	<i>Description</i>	<i>Ref.</i>	<i>Part Number</i>	<i>Qty.</i>	<i>Description</i>
1	104-8162	1	Battery	10	1-633651	2	Bolt-Holddown
3	117-2582	1	Harness-Wire	11	1-543792	2	Wingnut
3:1	218-578	1	Fuse-Blade, 10 Amp	12	1-643275	2	Relay
3:2	109355	1	Fuse-Blade, 15 Amp	13	3234-5	2	Screw-HHF
3:3	109102	2	Fuse-Blade, 25 Amp	14	104-8300	2	Nut-Flange, NI
3:4	116-0053	1	Cap-Plug	15	104-2065	1	Screw-HWH
4	117-2221	1	Switch-Ignition	17	1-303287	3	Tie-Cable
5	63-8360	1	Key-Ignition (W/Shield)	18	114-1218	1	Cable-Battery, Negative
6	120-2244	1	Hourmeter	19	115-3864	1	Cable-Battery, Positive
7	110-6765	2	Switch-Single Pole No	20	82-2190	1	Switch-Bail
8	116-0124	1	Switch-PTO, 10A	21	33114-020	1	Screw-HH
9	116-0042-03	1	Strap-Tie Down, Battery	22	33094-00	1	Washer-Plain

Attachments and Accessories

For 74145 Z Master Commercial 2000 Series Riding Mower with 60in TURBO FORCE Side Discharge Mower

Product Name	Model/Part
Hypr-Oil 500 (quart)	114-4713
Hypr-Oil 500 (gallon).....	114-4714
Hypr-Oil 500-5 (5 gallon).....	114-4715
Bimini Folding Shade Assembly	115-4510
Blade-mulch, 20.50in.....	115-5002-03
Blade-hi Flo, 20.5in.....	115-9649-03
Light Kit.....	116-1154
Operator-Controlled Discharge Chute Kit	117-3600
Recycler Kit	120-2403
Z Stand Kit.....	121-4811
Deluxe Seat Kit	121-4812
Toro Deluxe Rider Cover.....	490-7319
Spark Arrestor Screen	75-6880
E-Z VAC Twin Soft Bagger.....	78569
Blower and Drive Kit	78573
Filter Minder Gauge	99-4664
Trash Holder Kit.....	TC26

Notes:

Notes:

Notes:



Count on it.