



Count on it.

Parts Catalog

**Z Master® Commercial 3000
Series Riding Mower**

**with 52in TURBO FORCE® Side Discharge
Mower**

Model No. 74953—Serial No. 313000001 and Up



Ordering Replacement Parts

To order replacement parts, please supply the part number, the quantity, and the description of each part desired.

Understanding Reference Numbers

Each identified part in an illustration has a reference number. The reference number for a part also appears in the parts list, along with other information about the part.

This catalog uses two special reference number formats, one to indicate parts in a service assembly and another to indicate the quantity of a given part in an illustration.

Service Assembly Reference Numbers

Parts in service assemblies have reference numbers in the form a:b. The a represents the reference number of the entire service assembly and the b represents a sequential number unique to each part within the service assembly.

For example, a wheel assembly might be identified by reference number 6, the tire by 6:1, the valve by 6:2, and the wheel by 6:3. When you order the assembly identified by reference number 6, you receive all parts identified by reference numbers 6:1, 6:2, and 6:3. However, you may also order any part individually. Reference numbers of this type appear in illustration and in parts lists.

Reference Numbers Indicating Quantity

In an illustration, if a reference number indicates more than one part, the reference number has the form nX y. The n represents the quantity of the part, the X is the multiplication symbol, and the y represents the reference number.

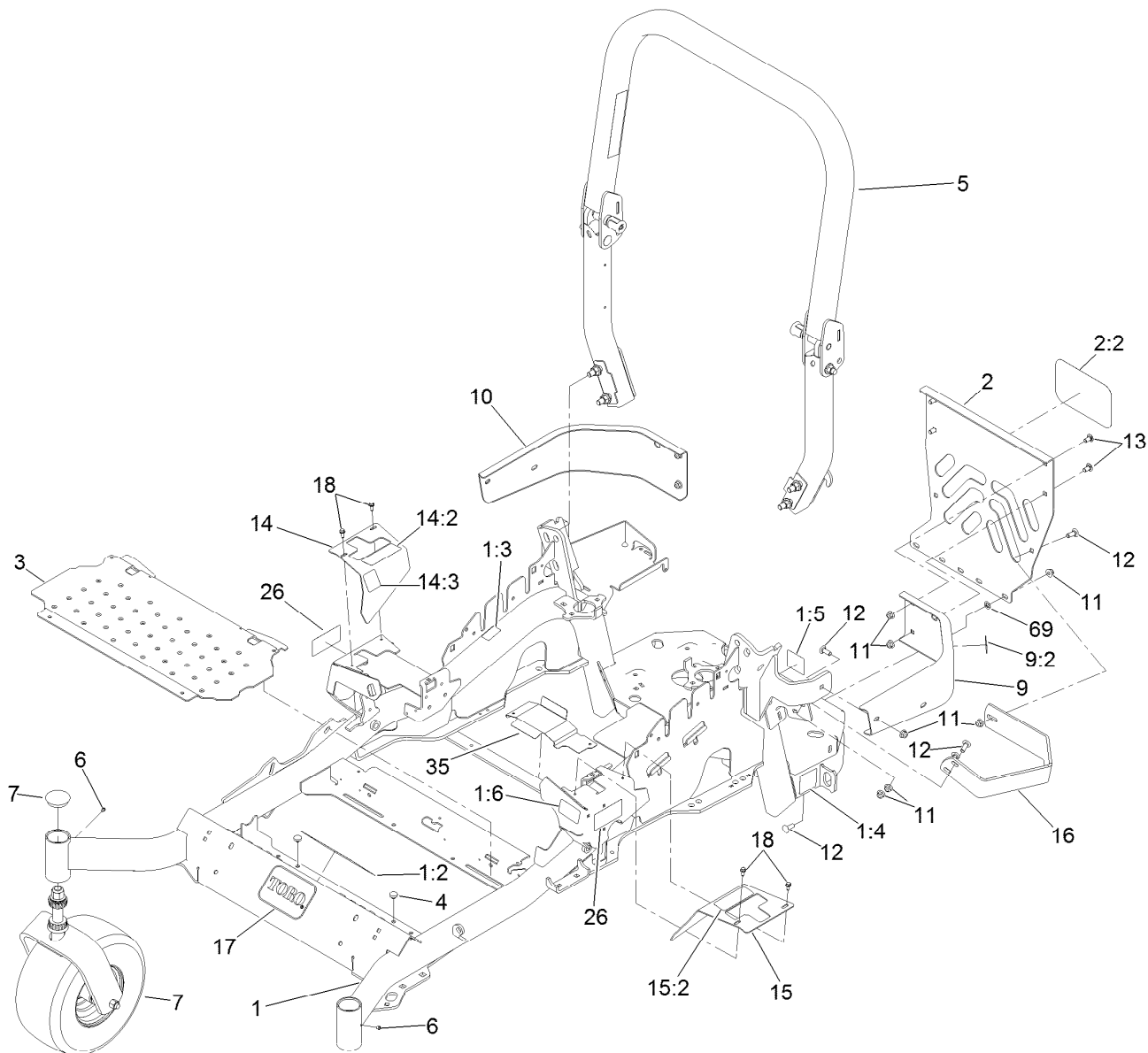
For example, in an illustration, the reference number 2X 37 means that two of the parts identified by reference number 37 are indicated.

List of Abbreviations

| | | |
|--|--|--|
| AR: as required | HLH: hex lag head | PTO: power-take-off |
| ASM: assembly | HOC: height-of-cut | RH: right hand |
| BBC: blade brake control | HSBH: hex socket button head | ROPS: roll-over protection system |
| BHTF: button head thread forming | HSFH: hex socket flat head | RRB: rear roller brush |
| CARR: carriage | HSH: hex socket head | SFH: slotted fillister head |
| CCW: counter clockwise | HWH: hex washer head | SHH: slotted hex head |
| CW: clockwise | HWHTF: hex washer head thread forming | SHWH: slotted hex washer head |
| DEG: degrees | HYD: hydraulic | SPH: slotted pan head |
| DPA: Dual Point Adjustment | LH: left hand | SQH: square head |
| ECM: electronic control module | LP: Liquefied Petroleum Gas | SRH: slotted round head |
| EXT: external | LPG: Liquefied Petroleum Gas | STD: standard |
| FH: flat head | NI: nylon insert | TAP: self tapping |
| GA: gauge | NPTF: national pipe thread fine | TTH: torx truss head |
| HD: heavy-duty | PFH: phillips flat head | |
| HF: hex flange | PPH: phillips pan head | |
| HH: hex head | PPHTF: phillips pan head thread forming | |
| HHF: hex head flange | PRH: phillips round head | |
| HHFTF: hex head flange thread forming | PTH: phillips truss head | |
| HJ: hex jam | | |

Contents

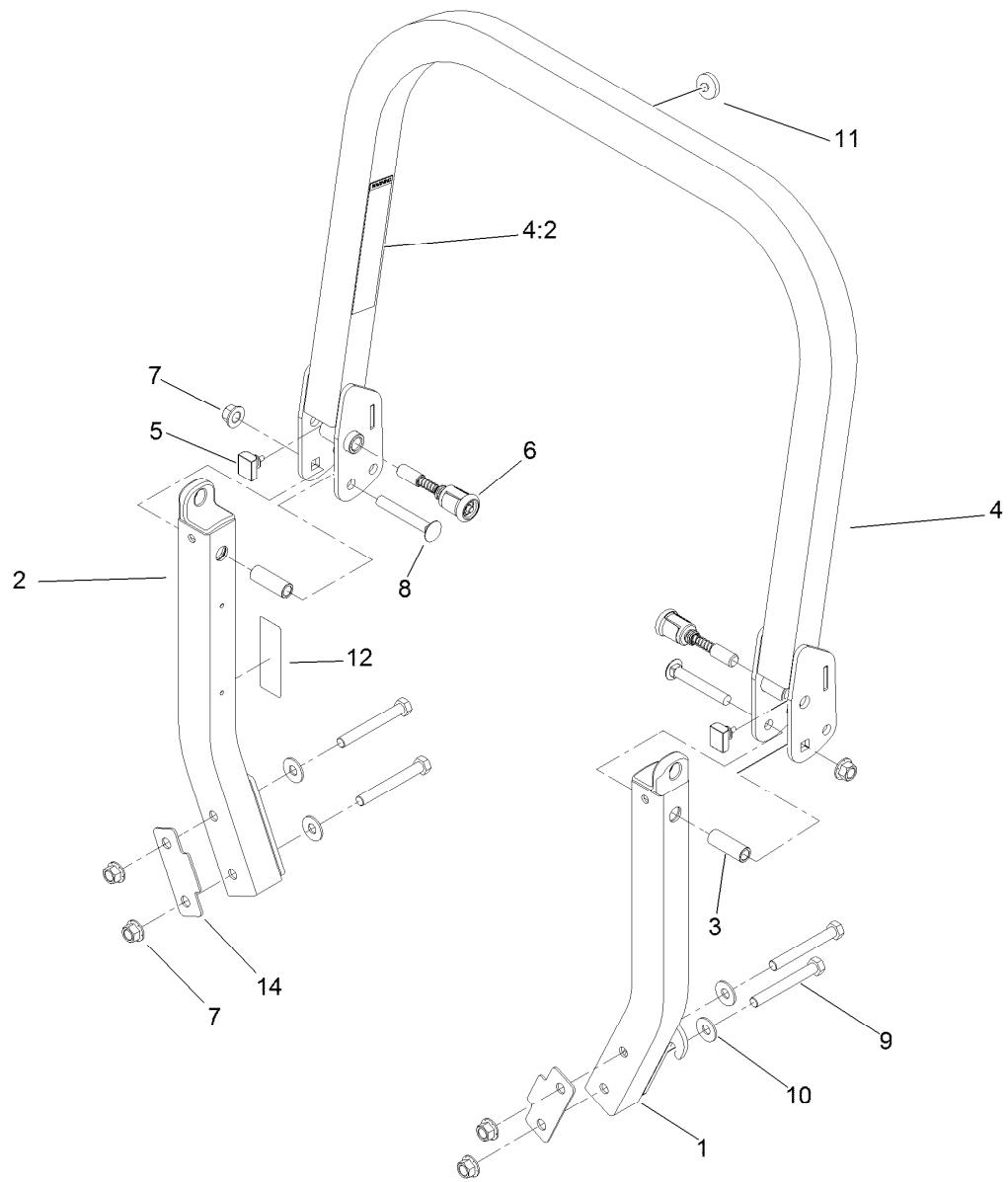
| | |
|---|----|
| Frame and Caster Wheel Assembly | 4 |
| Roll-Over Protection System Assembly No. 116-0231 | 5 |
| Fork and Caster Wheel Assembly | 6 |
| Hydraulic Pump, Idler and Belt Assembly | 7 |
| Pump Idler Assembly No. 116-1255 | 8 |
| LH Hydro Assembly No. 116-6417 | 9 |
| RH Hydro Assembly No. 116-6418 | 10 |
| Rear Wheel and Park Brake Assembly | 11 |
| Parking Brake Handle Assembly No. 116-7551 | 12 |
| Fuel Tank Mounting Assembly | 13 |
| Fuel Tank Assembly No. 116-3978 | 14 |
| Seat Mounting Assembly | 15 |
| Seat Assembly No. 116-0038 | 16 |
| Motion Control Assembly | 17 |
| Fender, Console and Control Assembly | 18 |
| Electrical Assembly | 19 |
| Deck Lift Assembly | 20 |
| Height-of-Cut Assembly No. 109-7438 | 22 |
| Engine, Muffler and Clutch Assembly | 23 |
| Deck Assembly | 24 |
| Deck Decal Assembly No. 114-5810 | 25 |
| Idler Assembly | 26 |
| Spindle Assembly No. 119-8560 | 27 |
| Rubber Deflector Assembly No. 108-2792 | 28 |
| Attachments and Accessories | 29 |



Frame and Caster Wheel Assembly

| Ref. | Part Number | Qty. | Description | Ref. | Part Number | Qty. | Description |
|------|-------------|------|---------------------------|------|-------------|------|-----------------------------|
| 1 | 116-5900 | 1 | Mainframe ASM | 11 | 104-8301 | 11 | Nut-Flange, NI |
| 1:2 | 116-3303 | 1 | Decal-Slope | 12 | 3231-22 | 7 | Screw-CARR |
| 1:3 | 103-2076 | 2 | Decal-Caution | 13 | 3231-21 | 4 | Screw-CARR |
| 1:4 | 116-0205 | 2 | Decal-Belt Drive | 14 | 116-5899 | 1 | RH Motion Control Cover ASM |
| 1:5 | 116-4858 | 1 | Decal-Spark Arrester | 14:2 | 109-7232 | 1 | Decal-Motion Control |
| 1:6 | 116-1654 | 1 | Decal-Fuel Fill | 14:3 | 116-5944 | 1 | Decal-Park Brake |
| 2 | 115-7410 | 1 | Rear Guard ASM | 15 | 116-0580 | 1 | LH Motion Control Cover ASM |
| 2:2 | 67-7320 | 1 | Decal | 15:2 | 109-7232 | 1 | Decal-Motion Control |
| 3 | 116-8898-01 | 1 | Floorpan | 16 | 116-0043-03 | 1 | Guard-Muffler |
| 4 | 1-513658 | 2 | Bumper | 17 | 68-3640 | 1 | Decal |
| 5 | 116-0231 | 1 | ROPS ASM | 18 | 32144-10 | 4 | Screw-HWH |
| 6 | 1-811010 | 2 | Plug | 26 | 120-5892 | 2 | Decal |
| 7 | | 2 | Front Caster W/Fork ASM ● | 35 | 116-2999-01 | 1 | Guard-Belt |
| 9 | 116-0180 | 1 | LH Bumper ASM | 69 | 107-3154 | 2 | Nut-Push |
| 9:2 | 103-2076 | 1 | Decal-Caution | | | | |
| 10 | 116-0057-03 | 1 | Bumper-RH | | | | |

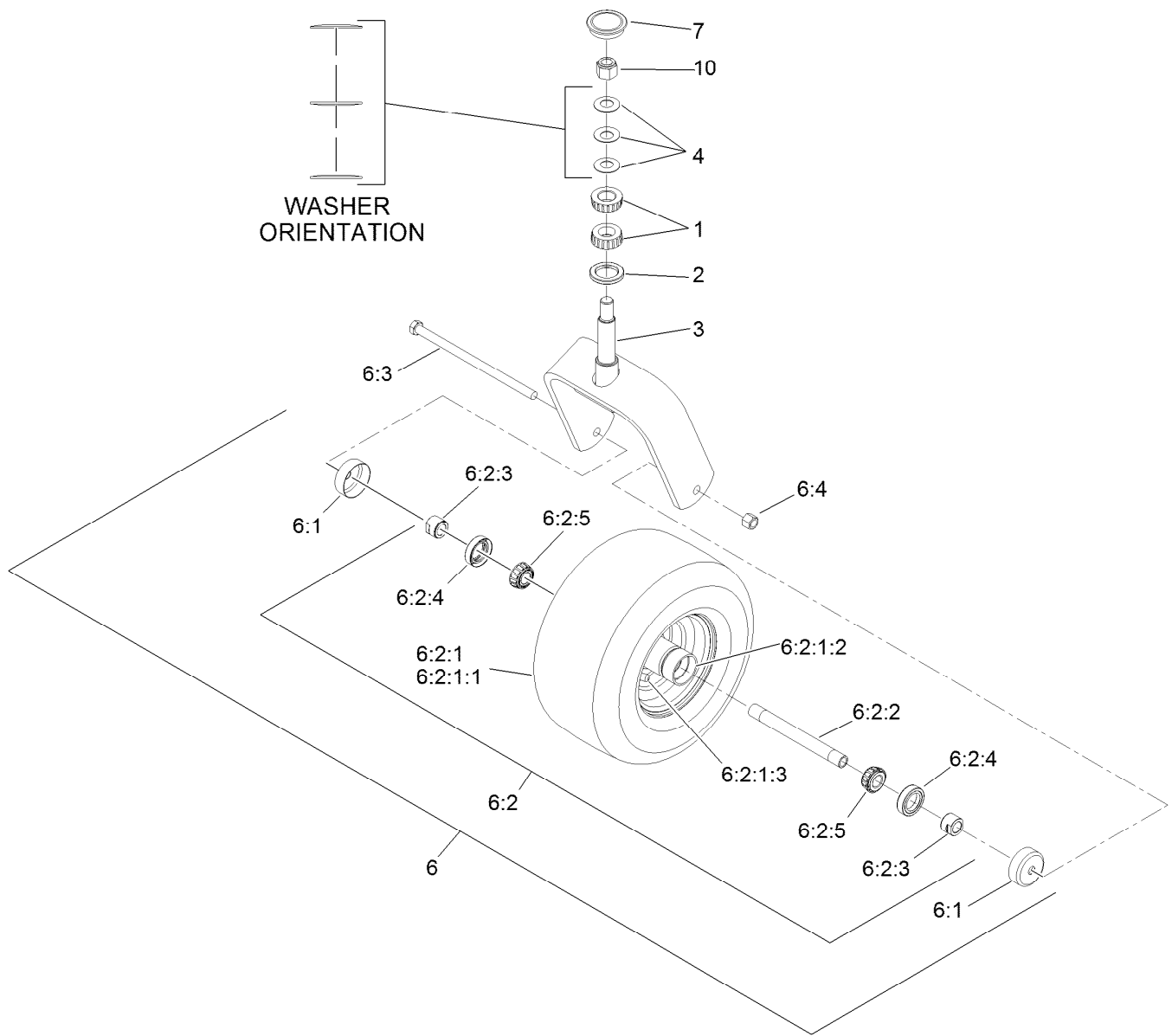
● Not serviced separately



Roll-Over Protection System Assembly No. 116-0231

| Ref. | Part Number | Qty. | Description |
|------|-------------|------|-----------------------------|
| 1 | | 1 | LH ROPS Leg ASM ● |
| 2 | | 1 | RH ROPS Leg ASM ● |
| 3 | 109-6653 | 2 | Spacer |
| 4 | | 1 | Upper ROPS ASM ● |
| 4:2 | 107-2102 | 1 | Decal-Warning, Folding ROPS |
| 5 | 109-5337 | 2 | Bumper-ROPS |
| 6 | 116-0104 | 2 | Spring Pin ASM |
| 7 | 99-5107 | 6 | Nut-Lock |
| 8 | 3233-10 | 2 | Screw-CARR |
| 9 | 325-17 | 4 | Screw-HH |
| 10 | 109-9505 | 4 | Washer-Spring |
| 11 | 109-9233 | 1 | Bumper-Push-In, Rubber |
| 12 | 116-0090 | 1 | Decal-Caution |
| 14 | 116-0960 | 2 | Spacer |

● Not serviced separately

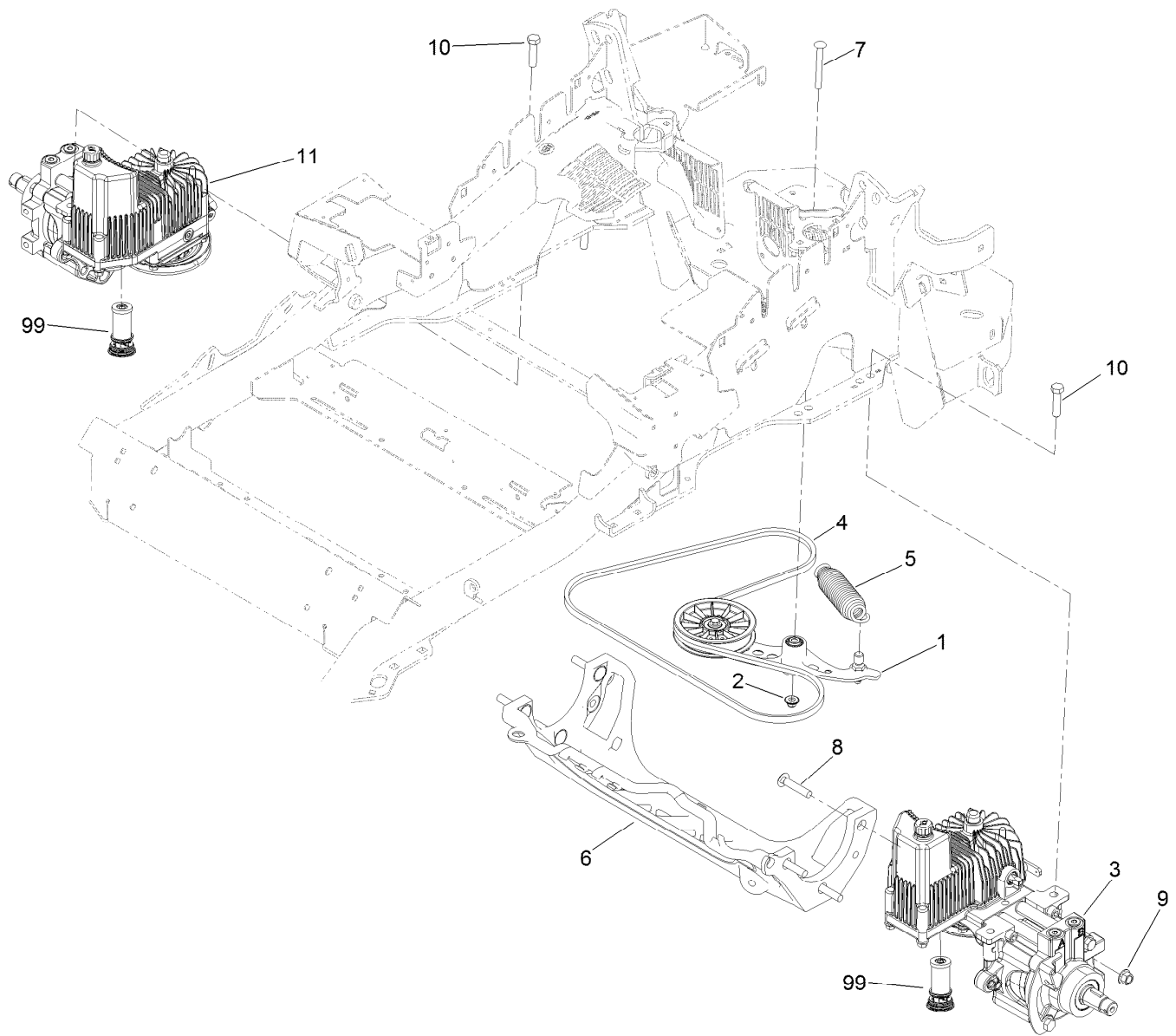


Fork and Caster Wheel Assembly

| Ref. | Part Number | Qty. | Description |
|---------|-------------|------|-------------------------|
| 1 | 1-543509 | 2 | Bearing-Roller, Tapered |
| 2 | 116-5647 | 1 | Seal-Grease |
| 3 | 116-6707-01 | 1 | Caster |
| 4 | 1-633508 | 3 | Washer-Bellville |
| 6 | 117-0361 | 1 | Castor Wheel ASM |
| 6:1 | 103-2768 | 2 | Guard-Seal |
| 6:2 | | 1 | Wheel ASM ● |
| 6:2:1 | | 1 | Wheel And Tire ASM ● |
| 6:2:1:1 | 1-523009 | 1 | Tire |
| 6:2:1:2 | 1-633584 | 2 | Bearing-Cup |

| Ref. | Part Number | Qty. | Description |
|---------|-------------|------|---------------------|
| 6:2:1:3 | 5108 | 1 | Valve |
| 6:2:2 | 103-5156 | 1 | Axle-Caster |
| 6:2:3 | 103-3051 | 2 | Spacer-Nut |
| 6:2:4 | 103-0063 | 2 | Seal-Caster |
| 6:2:5 | 1-633585 | 2 | Bearing-Cone, Taper |
| 6:3 | 325-39 | 1 | Screw-HH |
| 6:4 | 3296-23 | 1 | Nut-Lock, NI |
| 7 | 103-4882 | 1 | Cap-Grease |
| 10 | 3296-51 | 1 | Nut-Lock, NI |

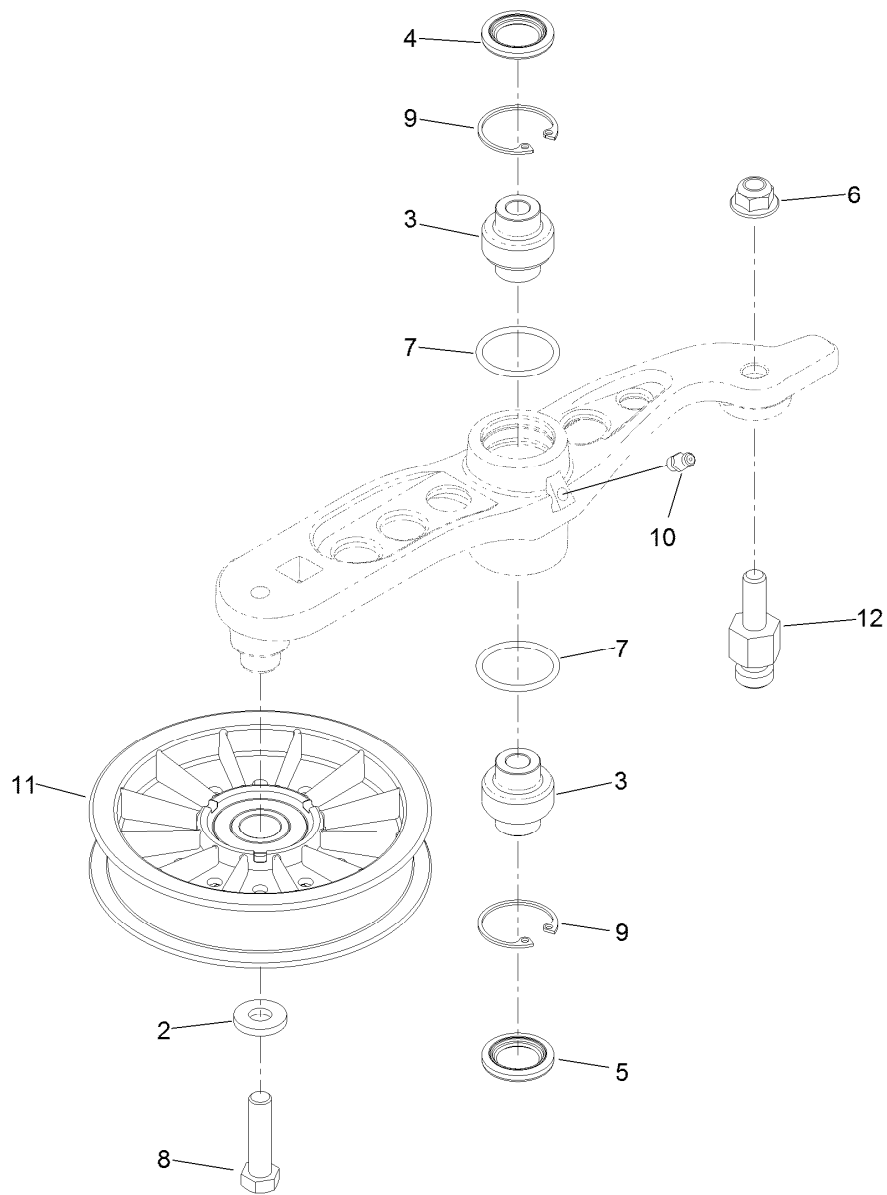
● Not serviced separately



Hydraulic Pump, Idler and Belt Assembly

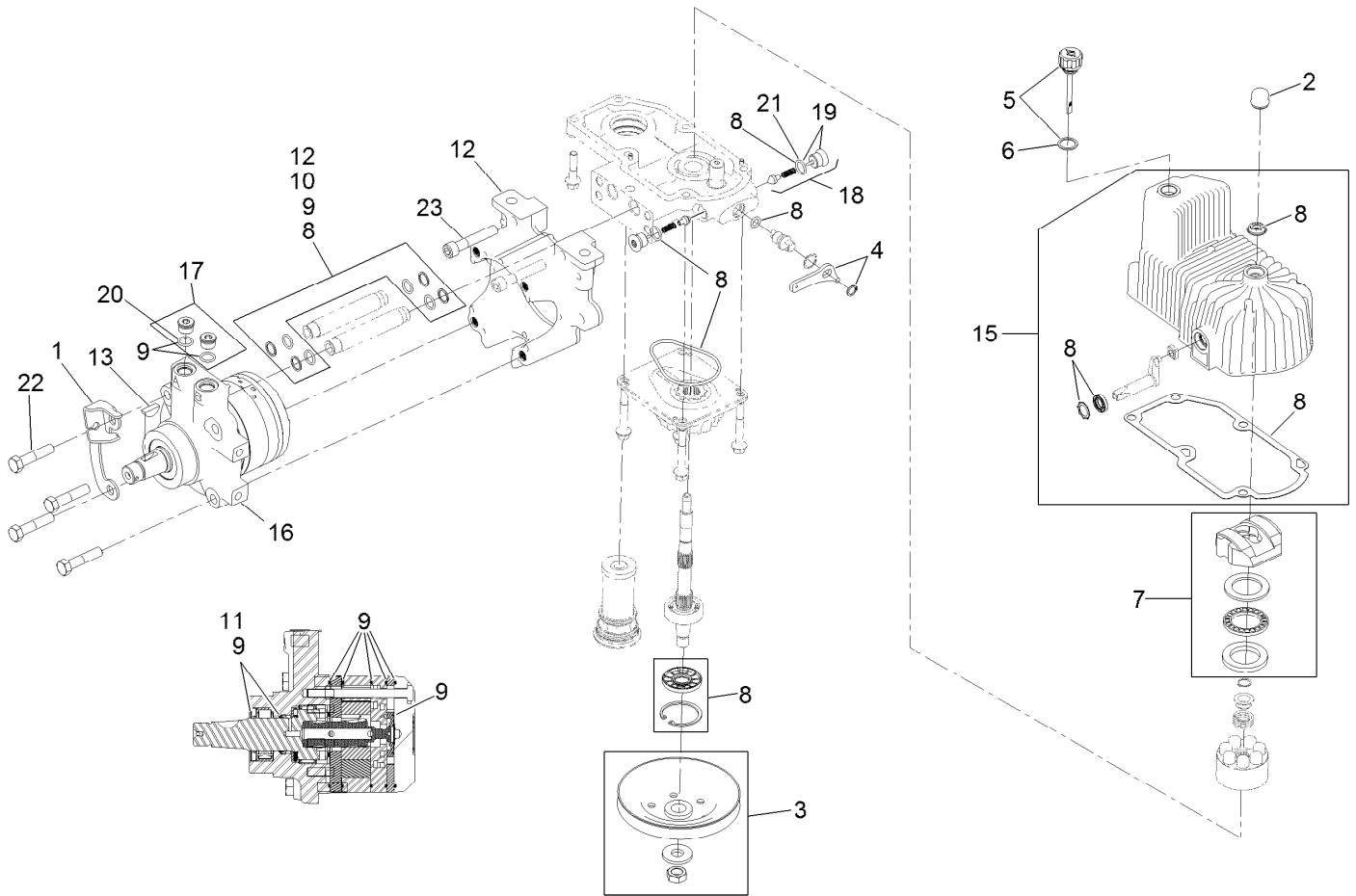
| Ref. | Part Number | Qty. | Description |
|------|-------------|------|-----------------------------|
| 1 | 116-1255 | 1 | Pump Idler ASM |
| 2 | 109-6658 | 1 | Nut-Flange, NI |
| 3 | 116-6417 | 1 | LH Hydro 12Cc No Fan |
| 4 | 116-1953 | 1 | Belt-V |
| 5 | 116-6317 | 1 | Spring-Extension |
| 6 | 109-9375 | 1 | Cradle-Hydro |
| 7 | 116-1502 | 1 | Bolt-Shoulder, Carriage |
| 8 | 3233-34 | 6 | Screw-CARR |
| 9 | 99-5107 | 6 | Nut-Lock |
| 10 | 325-8 | 4 | Screw-HH |
| 11 | 116-6418 | 1 | RH Hydro 12Cc No Fan |
| 99 | 114-4713 | 1 | Hypr-Oil 500 (Quart) ● |
| 99 | 114-4714 | 1 | Hypr-Oil 500 (Gallon) ● |
| 99 | 114-4715 | 1 | Hypr-Oil 500-5 (5 Gallon) ● |
| 99 | 117-0390 | 1 | Filter-Hydro |

● Not illustrated



Pump Idler Assembly No. 116-1255

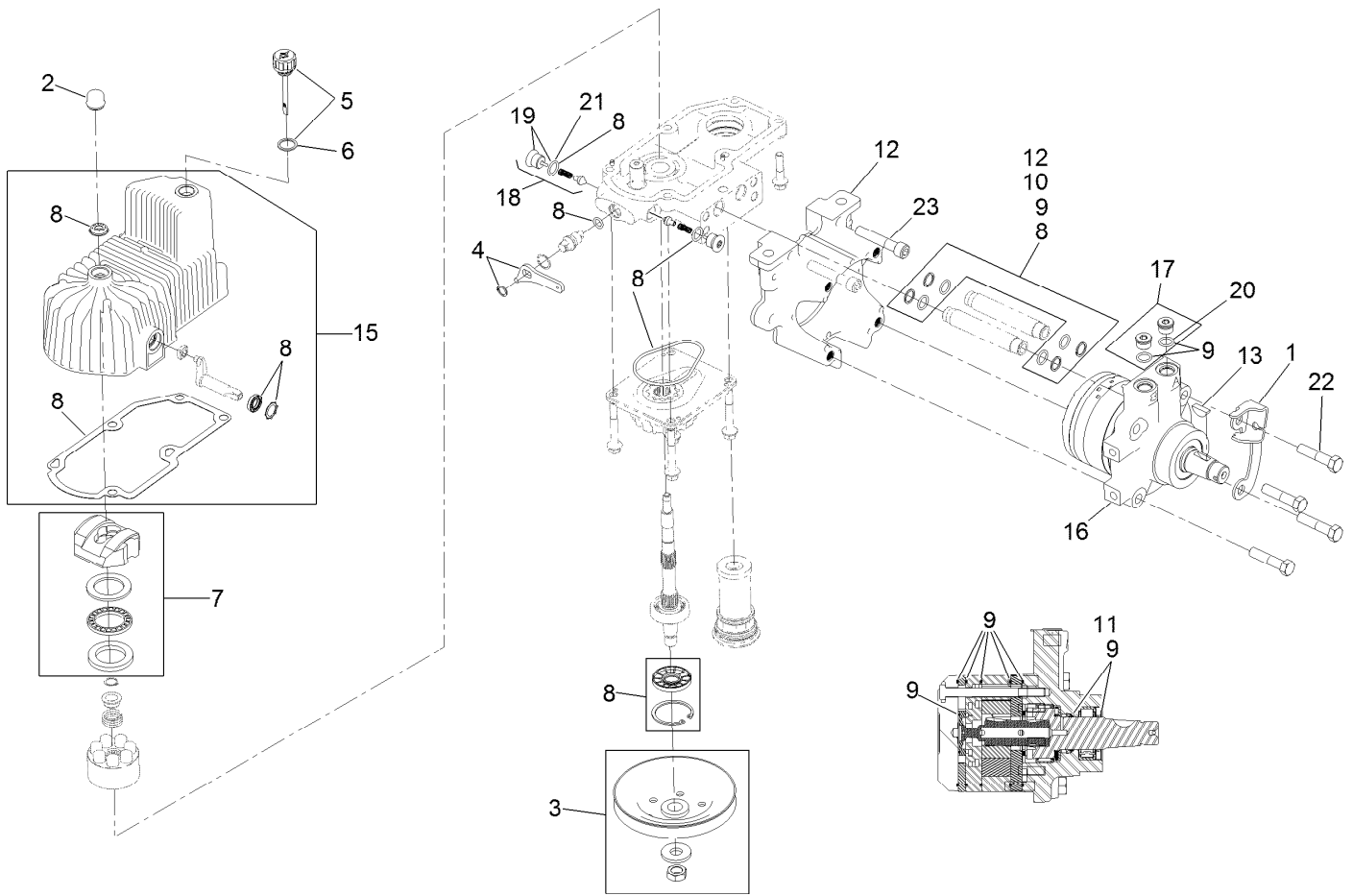
| Ref. | Part Number | Qty. | Description |
|------|-------------|------|--------------------|
| 2 | 43-0940 | 1 | Spacer |
| 3 | 103-3504 | 2 | Bearing-Spherical |
| 4 | 103-3505 | 1 | Seal-Double Lip |
| 5 | 103-3506 | 1 | Seal-Single Lip |
| 6 | 109-6658 | 1 | Nut-Flange, NI |
| 7 | 106-7159 | 2 | O-Ring |
| 8 | 323-8 | 1 | Screw-HH |
| 9 | 32120-10 | 2 | Ring-Snap |
| 10 | 302-19 | 1 | Fitting-Grease |
| 11 | 109-8076 | 1 | Pulley-Idler |
| 12 | 116-3467 | 1 | Pin-Spring, Anchor |



LH Hydro Assembly No. 116-6417

| <i>Ref.</i> | <i>Part Number</i> | <i>Qty.</i> | <i>Description</i> | <i>Ref.</i> | <i>Part Number</i> | <i>Qty.</i> | <i>Description</i> |
|-------------|--------------------|-------------|----------------------------|-------------|--------------------|-------------|----------------------------|
| 1 | 116-6859 | 1 | Bracket-Anchor, Cable | 12 | 116-5469 | 1 | Nose Cup-Uht |
| 2 | 116-3052 | 1 | Cover-Shaft, Hydro | 13 | 3257-42 | 1 | Key-Woodruff |
| 3 | 116-0234 | 1 | Pulley Kit | 15 | 116-3287 | 1 | Housing-Hydro, LH |
| 4 | 116-0235 | 1 | Handle-Bypass Valve, Hydro | 16 | 116-8915 | 1 | Motor-Hydraulic LH 240Cc |
| 5 | 116-0236 | 1 | Dipstick-Hydro W/Gasket | 17 | 116-7901 | 1 | Magnetic Plugs Service Kit |
| 6 | 116-0237 | 1 | Gasket-Dipstick, Hydro | 18 | 116-1630 | 2 | Check Valve ASM |
| 7 | 116-1367 | 1 | Swash Block Kit | 19 | 116-1631 | 2 | Plug-Check (W/O-Ring) |
| 8 | 116-1368 | 1 | Pump Seal Kit | 20 | 76-1900 | 2 | O-Ring |
| 9 | 116-1369 | 1 | Motor Seal Kit | 21 | 116-8662 | 2 | O-Ring-Check Valve |
| 10 | 116-1370 | 1 | Tube Seal Kit | 22 | 116-8974 | 4 | Screw HH |
| 11 | 116-1371 | 1 | Output Shaft Seal Kit | 23 | 116-8975 | 2 | Screw-HSH |
| | | | | 99 | 116-1373 | 1 | Flow Test Kit ● |

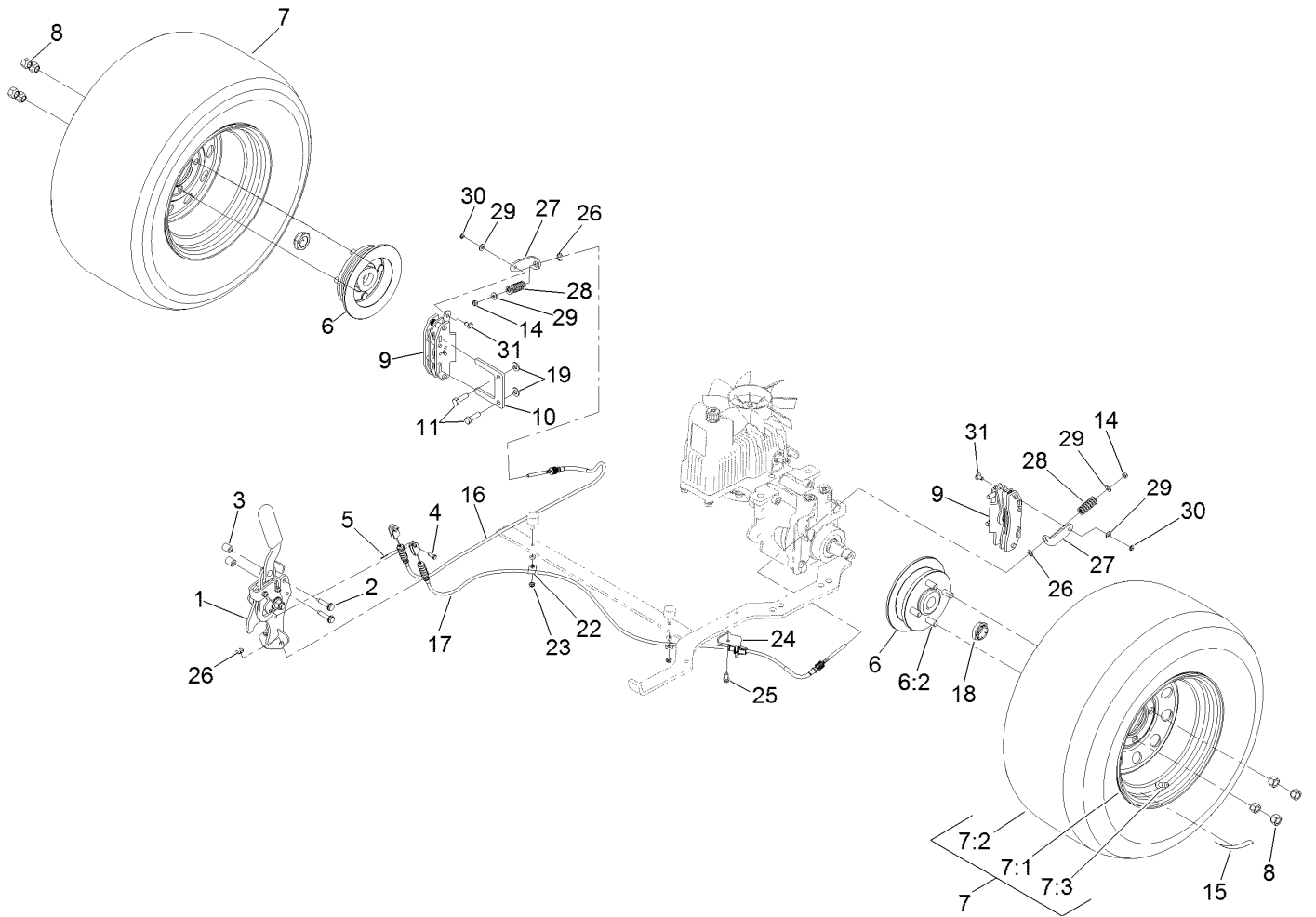
● Not illustrated



RH Hydro Assembly No. 116-6418

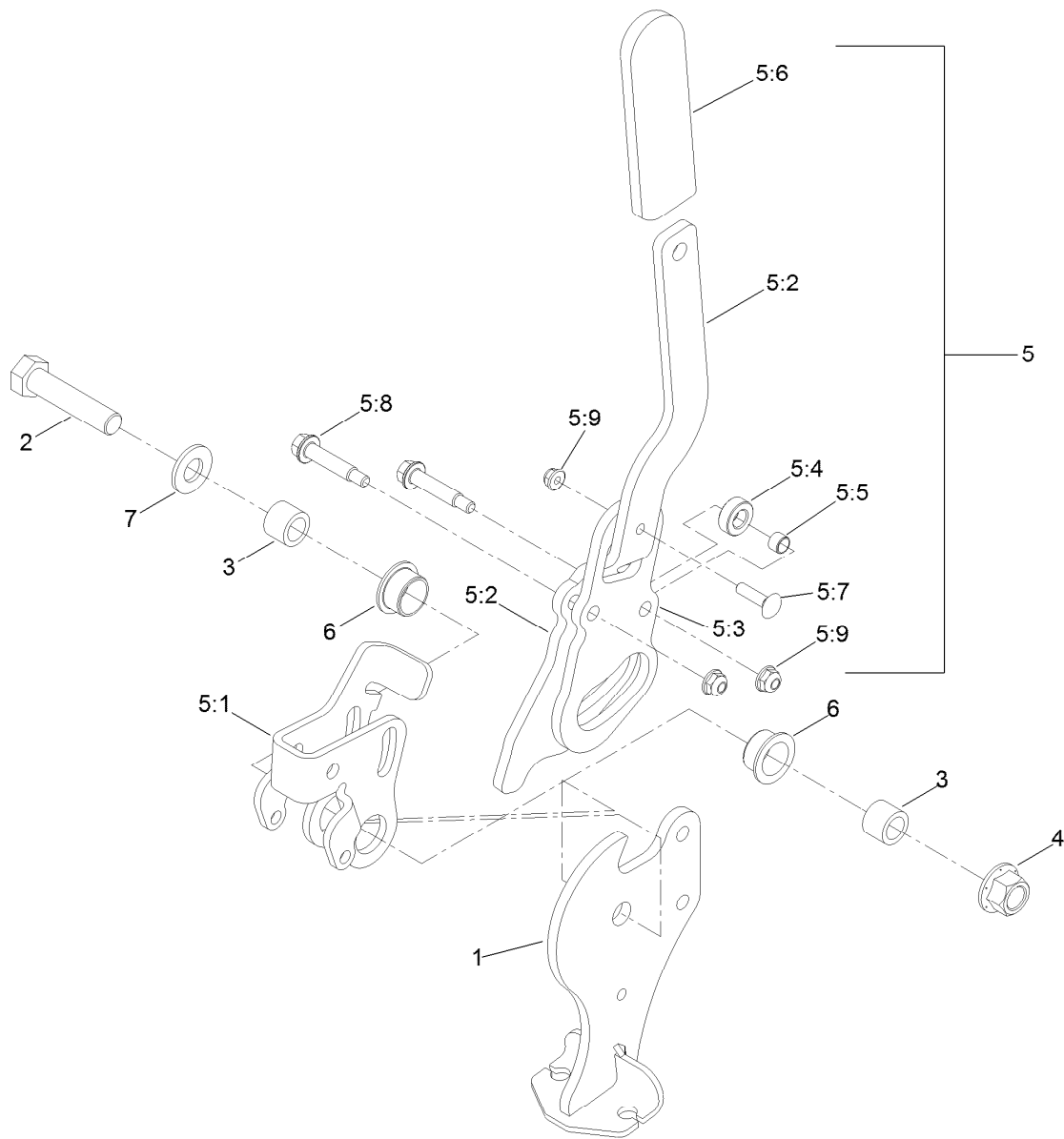
| Ref. | Part Number | Qty. | Description | Ref. | Part Number | Qty. | Description |
|------|-------------|------|----------------------------|------|-------------|------|----------------------------|
| 1 | 116-6859 | 1 | Bracket-Anchor, Cable | 12 | 116-5469 | 1 | Nose Cup-Uht |
| 2 | 116-3052 | 1 | Cover-Shaft, Hydro | 13 | 3257-42 | 1 | Key-Woodruff |
| 3 | 116-0234 | 1 | Pulley Kit | 15 | 116-3288 | 1 | Housing-Hydro, RH |
| 4 | 116-0235 | 1 | Handle-Bypass Valve, Hydro | 16 | 116-8916 | 1 | Motor-Hydraulic RH 240Cc |
| 5 | 116-0236 | 1 | Dipstick-Hydro W/Gasket | 17 | 116-7901 | 1 | Magnetic Plugs Service Kit |
| 6 | 116-0237 | 1 | Gasket-Dipstick, Hydro | 18 | 116-1630 | 2 | Check Valve ASM |
| 7 | 116-1367 | 1 | Swash Block Kit | 19 | 116-1631 | 2 | Plug-Check (W/O-Ring) |
| 8 | 116-1368 | 1 | Pump Seal Kit | 20 | 76-1900 | 2 | O-Ring |
| 9 | 116-1369 | 1 | Motor Seal Kit | 21 | 116-8662 | 2 | O-Ring-Check Valve |
| 10 | 116-1370 | 1 | Tube Seal Kit | 22 | 116-8974 | 4 | Screw HH |
| 11 | 116-1371 | 1 | Output Shaft Seal Kit | 23 | 116-8975 | 2 | Screw-HSH |
| | | | | 99 | 116-1373 | 1 | Flow Test Kit ● |

● Not illustrated



Rear Wheel and Park Brake Assembly

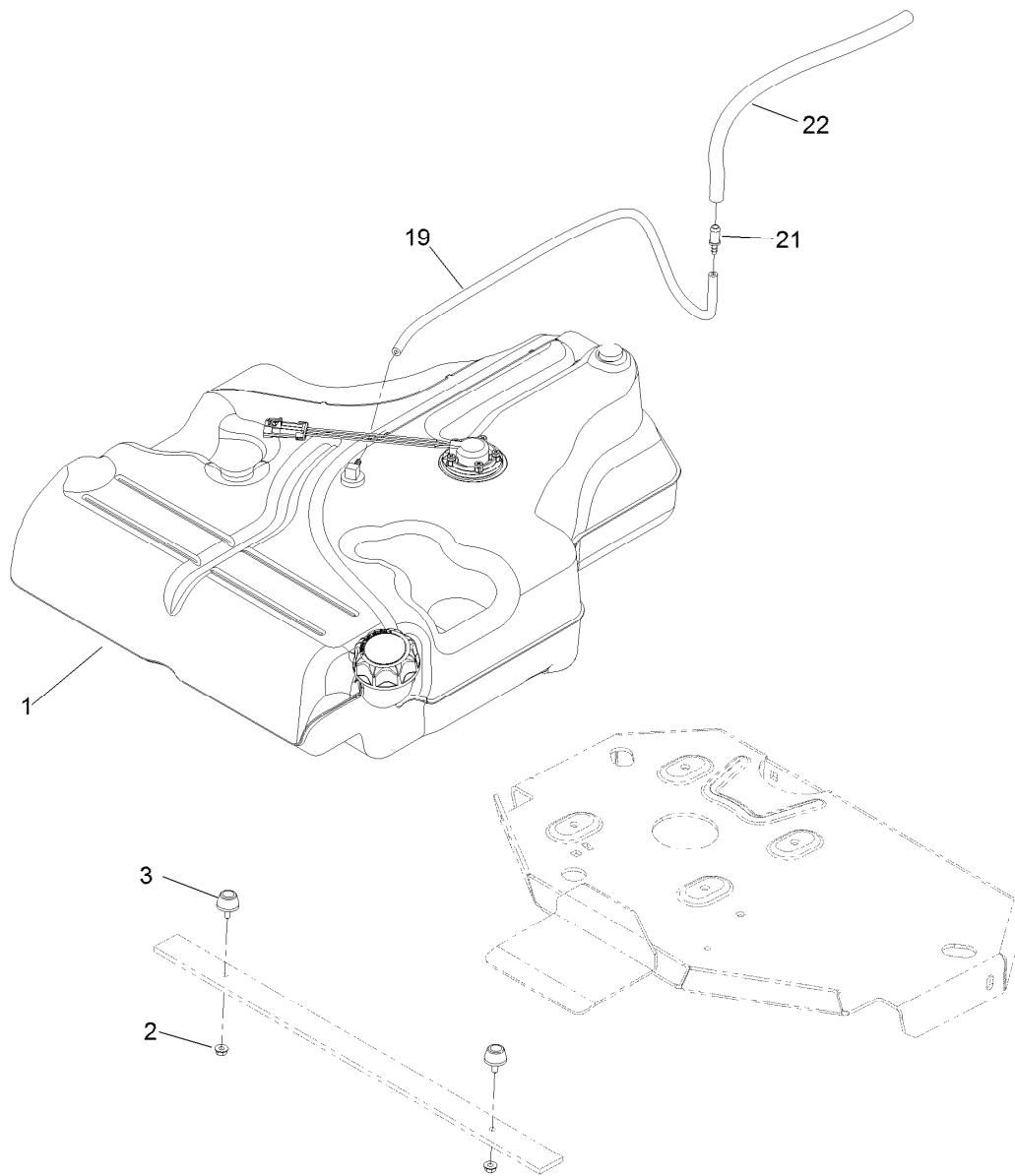
| Ref. | Part Number | Qty. | Description | Ref. | Part Number | Qty. | Description |
|------|-------------|------|--------------------|------|-------------|------|------------------------|
| 1 | 116-7551 | 1 | Brake Handle ASM | 15 | 116-2643 | 2 | Decal-Wheel Nut Torque |
| 2 | 32144-57 | 2 | Screw | 16 | 116-6364 | 1 | Cable-Park Brake, RH |
| 3 | 82-6840 | 2 | Spacer | 17 | 116-6365 | 1 | Cable-Park Brake, LH |
| 4 | 60-1730 | 2 | Pin-Clevis | 18 | 116-1399 | 2 | Locknut |
| 5 | 3272-1 | 2 | Pin-Cotter | 19 | 3256-24 | 4 | Washer-Flat |
| 6 | 116-1746 | 2 | Wheel Hub ASM | 22 | 88-7970 | 2 | Clip |
| 6:2 | 116-1696 | 4 | Stud-Wheel | 23 | 3296-56 | 2 | Nut-Lock, NI |
| 7 | 115-3589 | 2 | Wheel And Tire ASM | 24 | 116-6397 | 1 | Bracket-Cable |
| 7:1 | 109-2875 | 1 | Rim ASM | 25 | 32144-10 | 1 | Screw-HWH |
| 7:2 | 1-653160 | 1 | Tire | 26 | 32120-18 | 4 | E-Ring |
| 7:3 | 232-27 | 1 | Stem-Valve | 27 | 116-6182 | 2 | Bracket-Brake, L |
| 8 | 242-50 | 8 | Nut-Lug | 28 | 116-6347 | 2 | Spring-Die |
| 9 | 109-2889 | 2 | Caliper-Brake | 29 | 3256-22 | 4 | Washer-Flat |
| 10 | 109-0958 | 2 | Plate-Mount, Brake | 30 | 32151-86 | 2 | E-Ring |
| 11 | 92-5727 | 4 | Screw-Lock, Patch | 31 | 116-6348 | 2 | Pin-Brake |
| 14 | 3296-13 | 2 | Nut-Lock, NI | | | | |



Parking Brake Handle Assembly No. 116-7551

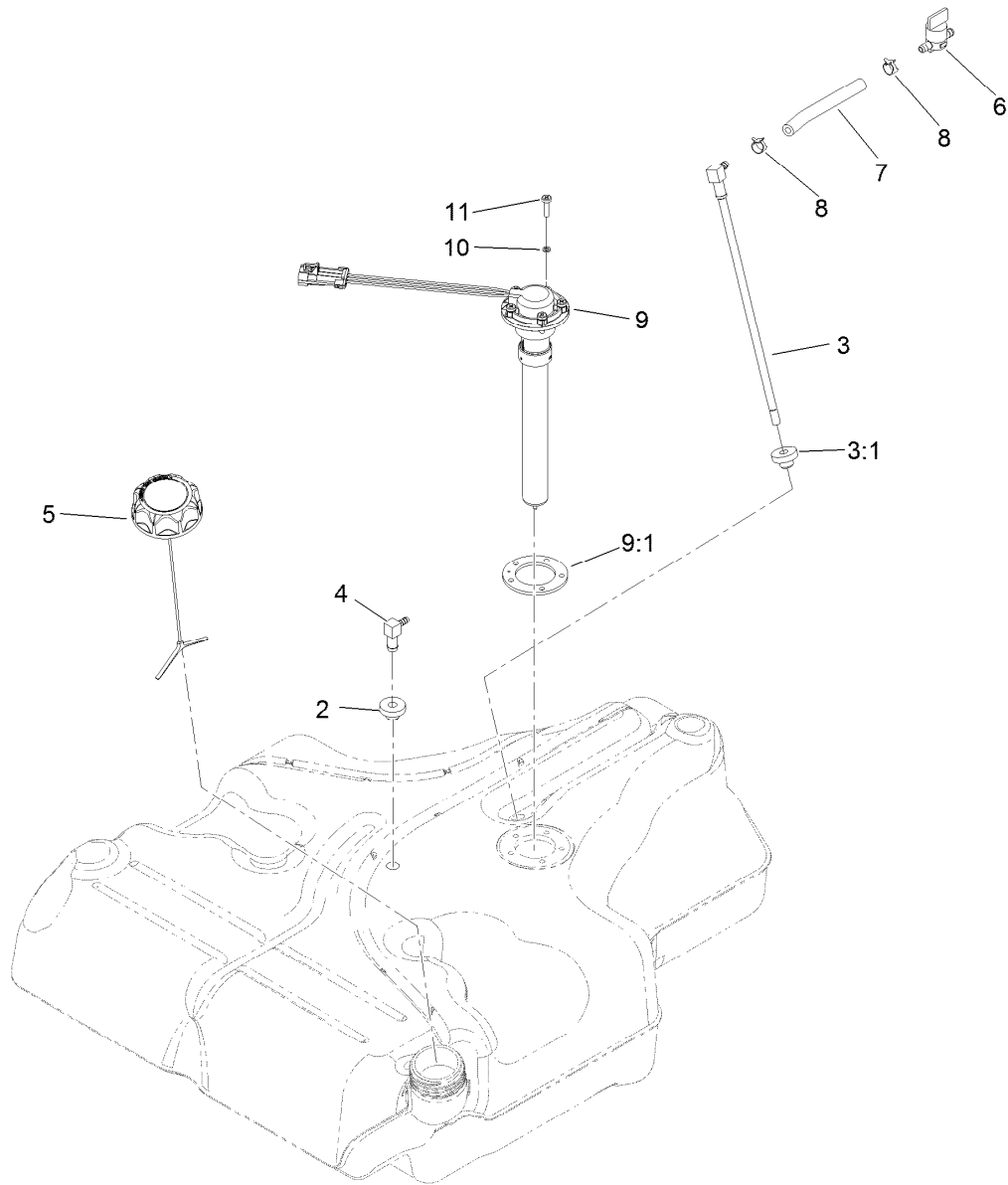
| <i>Ref.</i> | <i>Part Number</i> | <i>Qty.</i> | <i>Description</i> |
|-------------|--------------------|-------------|--------------------|
| 1 | 116-7263 | 1 | Brake Pivot ASM |
| 2 | 325-9 | 1 | Screw-HH |
| 3 | 116-5384 | 2 | Spacer |
| 4 | 99-5107 | 1 | Nut-Lock |
| 5 | 116-6860 | 1 | Handle ASM |
| 5:1 | 116-6856 | 1 | Bellcrank-Brake |
| 5:2 | 116-6857 | 1 | Handle-Brake |
| 5:3 | 116-6858 | 1 | Plate-Handle |

| <i>Ref.</i> | <i>Part Number</i> | <i>Qty.</i> | <i>Description</i> |
|-------------|--------------------|-------------|--------------------|
| 5:4 | 116-6846 | 1 | Roller-Brake |
| 5:5 | 116-6852 | 1 | Bearing-Sleeve |
| 5:6 | 1-633268 | 1 | Grip-Lever |
| 5:7 | 3229-2 | 1 | Screw-CARR |
| 5:8 | 116-6876 | 2 | Screw-Shoulder |
| 5:9 | 104-7201 | 3 | Nut-HF |
| 6 | 109-8054 | 2 | Bushing-Flange |
| 7 | 3256-26 | 1 | Washer-Flat |



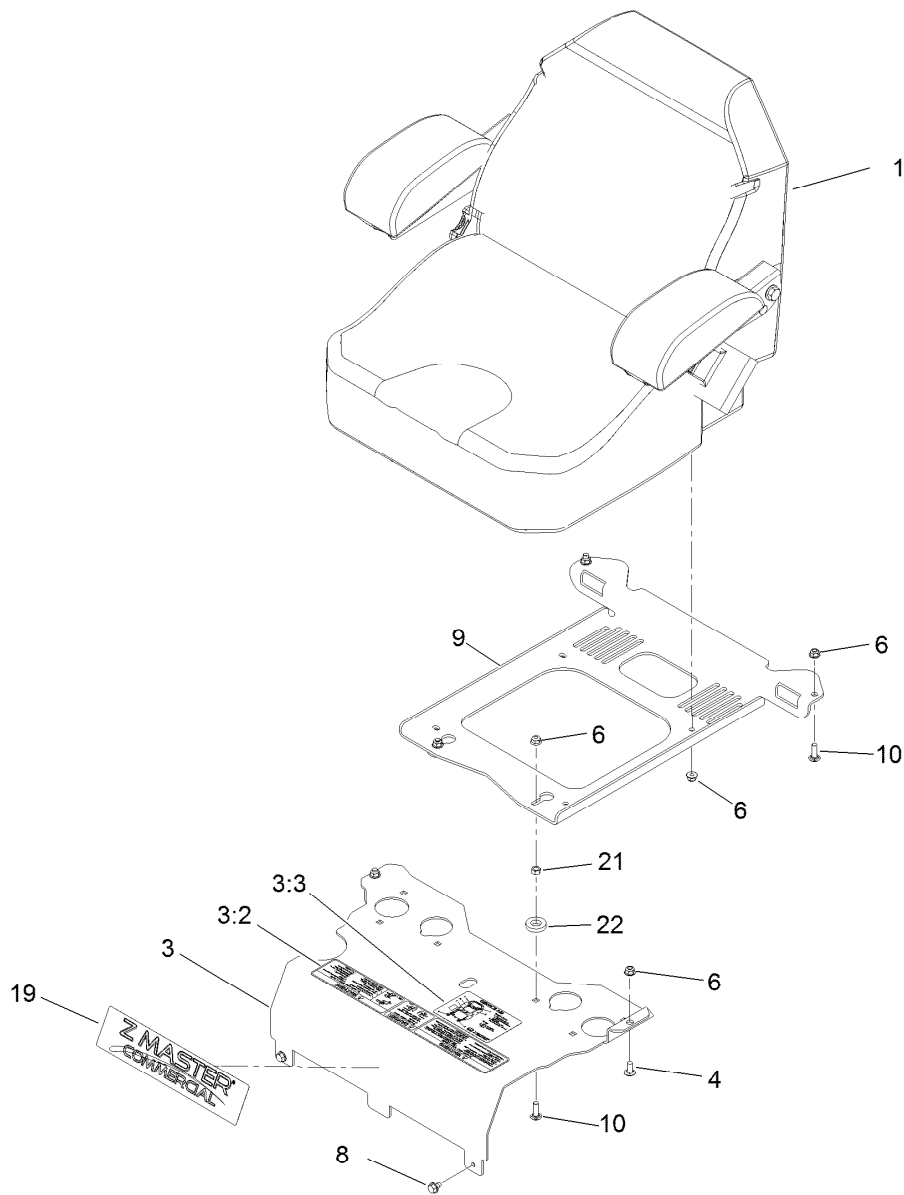
Fuel Tank Mounting Assembly

| Ref. | Part Number | Qty. | Description |
|------|-------------|------|-------------------------|
| 1 | 116-3978 | 1 | Fuel Tank ASM |
| 2 | 3218-1 | 2 | Nut-Jam |
| 3 | 116-6380 | 2 | Bumper-Rubber (W/ Stud) |
| 19 | 110-8751 | 1 | Hose-Fuel |
| 21 | 98-2952 | 1 | Fitting-Straight |
| 22 | 116-4344 | 1 | Hose-Fuel |



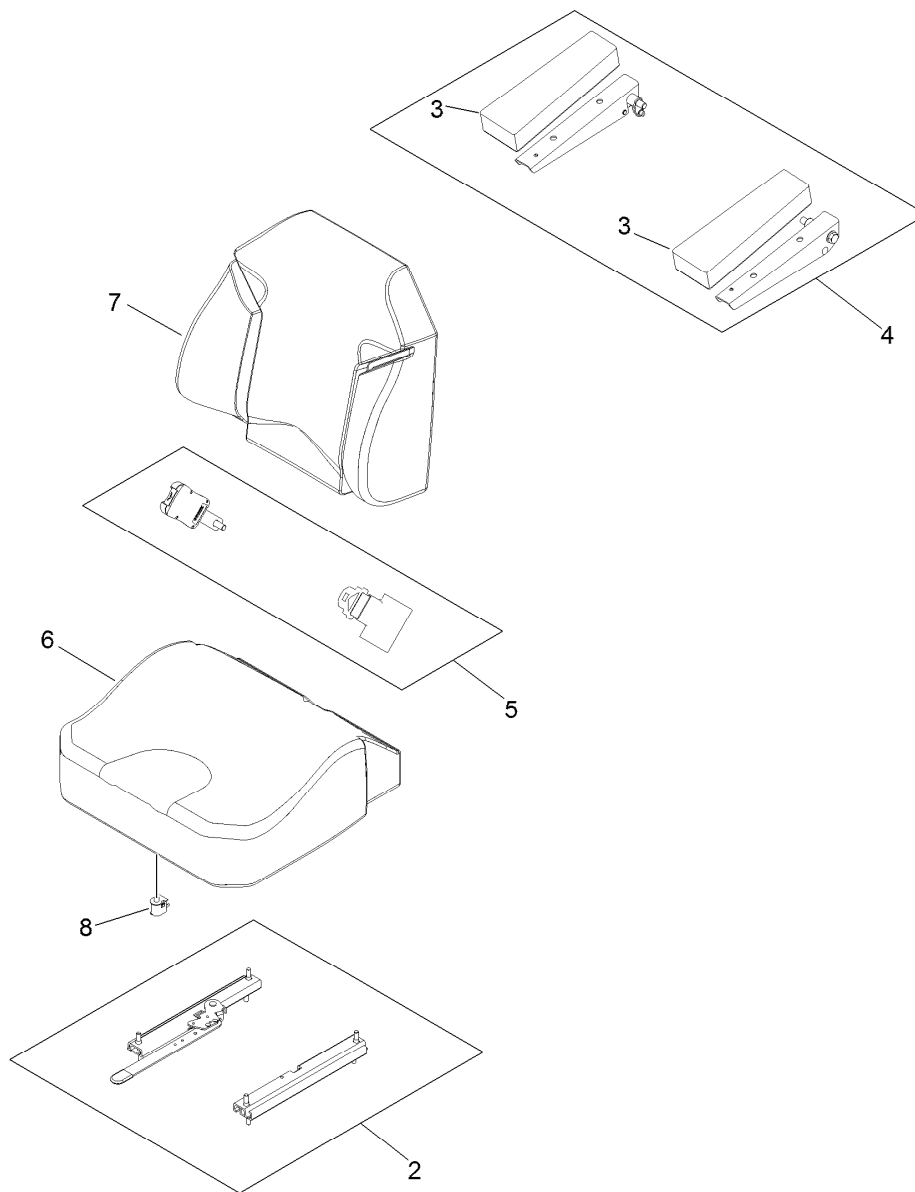
Fuel Tank Assembly No. 116-3978

| <i>Ref.</i> | <i>Part Number</i> | <i>Qty.</i> | <i>Description</i> |
|-------------|--------------------|-------------|---------------------------------|
| 2 | 46-6560 | 2 | Bushing |
| 3 | 116-2459 | 1 | Fuel Line Kit (With Grommet) |
| 3:1 | 46-6560 | 1 | Bushing |
| 4 | 116-2288 | 1 | Fitting-90 Elbow, 0.043 Orifice |
| 5 | 116-1704 | 1 | Cap-Fuel, Ratcheting |
| 6 | 1-603770 | 1 | Valve-Fuel |
| 7 | 109-0650 | 1 | Hose-Fuel |
| 8 | 2412-98 | 2 | Clamp-Hose |
| 9 | 116-1981 | 1 | Sender-Fuel |
| 9:1 | 109-9620 | 1 | Gasket-Sender, Fuel |
| 10 | 3253-17 | 5 | Washer-Lock |
| 11 | 9107944 | 5 | Screw-Pan |



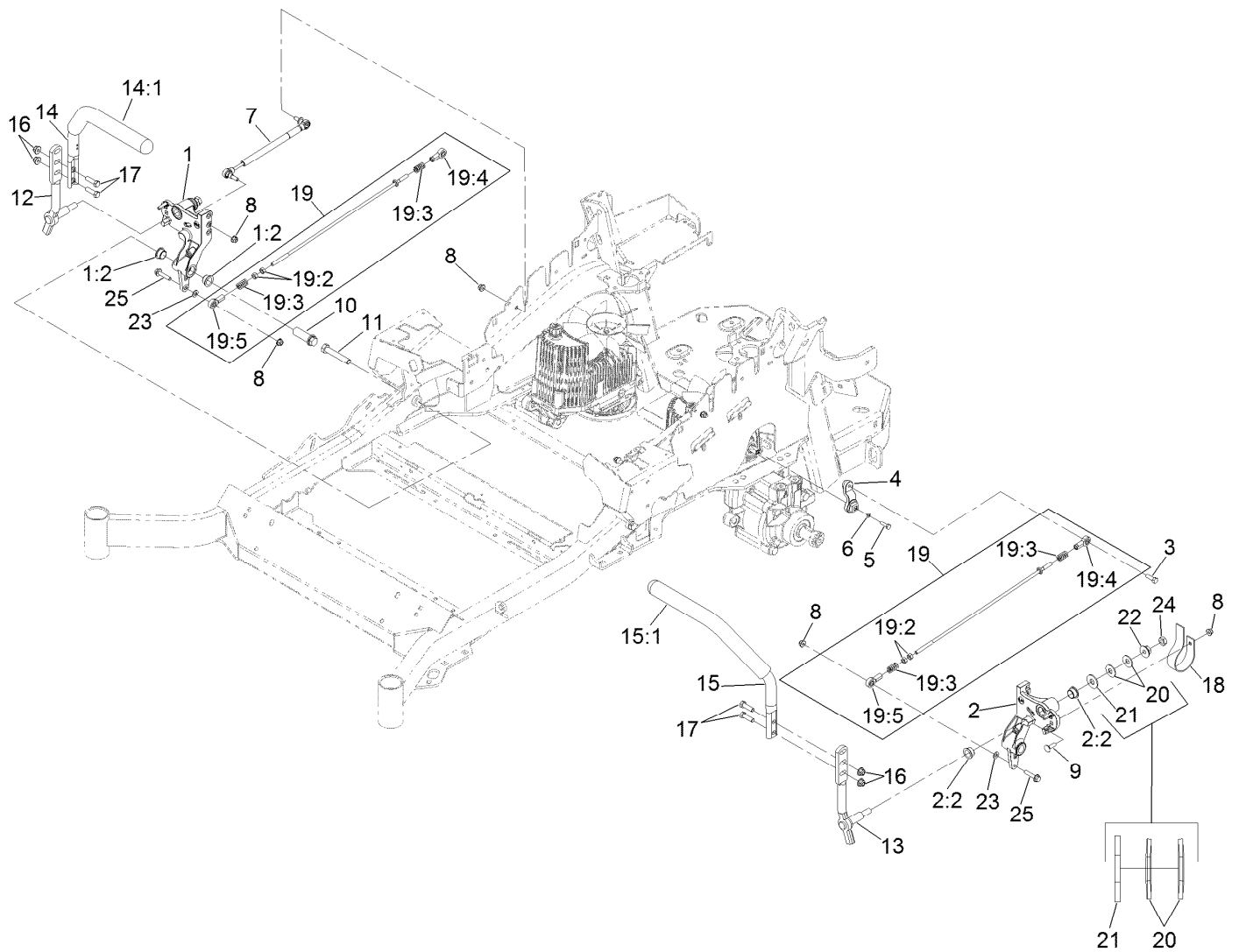
Seat Mounting Assembly

| Ref. | Part Number | Qty. | Description |
|------|-------------|------|---------------------|
| 1 | 116-0038 | 1 | Seat ASM |
| 3 | 116-2323 | 1 | Mount-Seat |
| 3:2 | 109-7069 | 1 | Decal-Console |
| 3:3 | 116-0211 | 1 | Decal-Service Aid |
| 4 | 3230-23 | 2 | Screw-CARR |
| 6 | 104-8300 | 10 | Nut-Flange, NI |
| 8 | 9266934 | 2 | Screw |
| 9 | 116-0192-03 | 1 | Plate-Support, Seat |
| 10 | 3230-22 | 4 | Screw-CARR |
| 19 | 114-5878 | 1 | Decal |
| 21 | 3217-6 | 2 | Nut-Hex |
| 22 | 1-323539 | 2 | Spacer |



Seat Assembly No. 116-0038

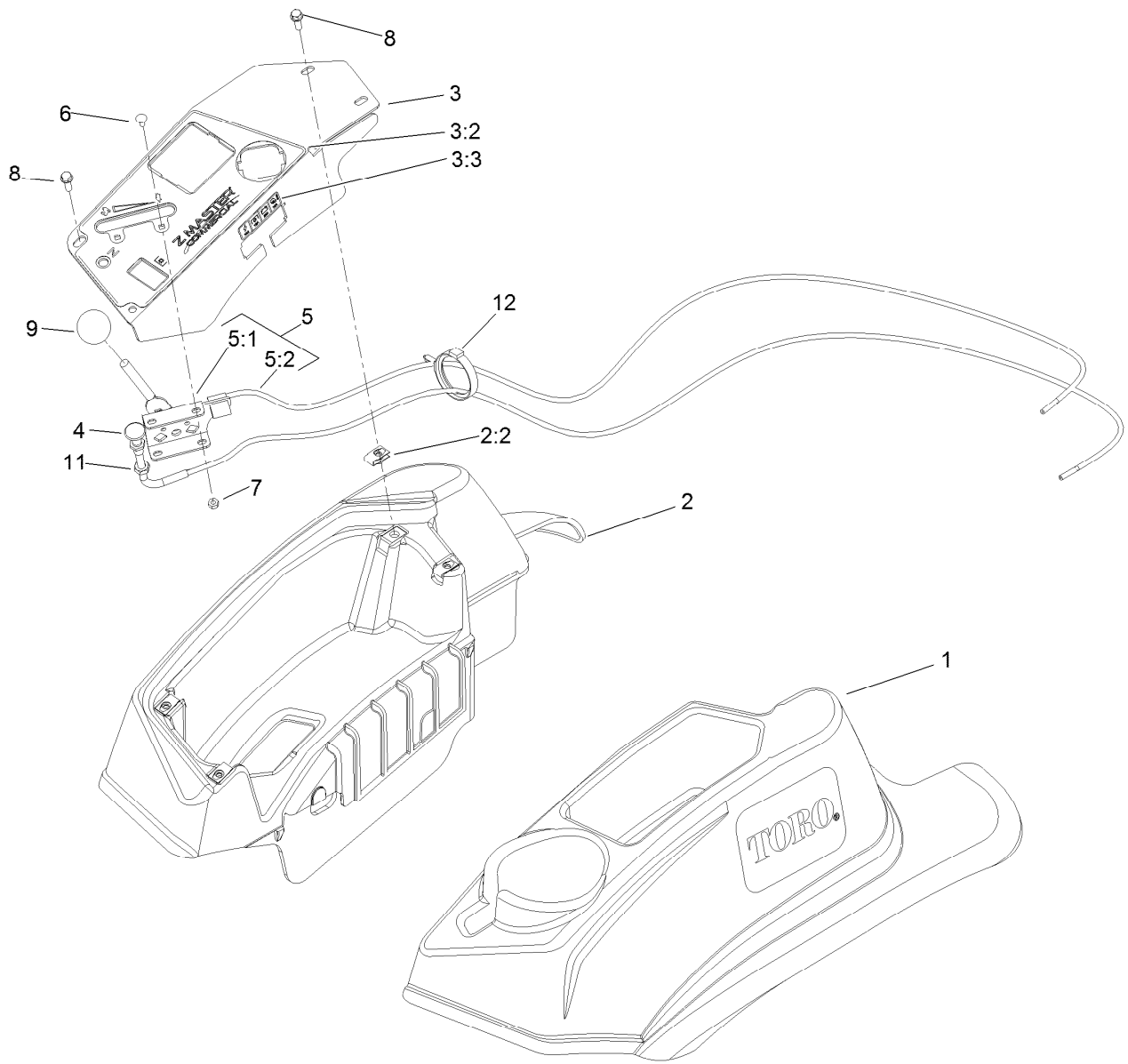
| <i>Ref.</i> | <i>Part Number</i> | <i>Qty.</i> | <i>Description</i> |
|-------------|--------------------|-------------|--------------------|
| 2 | 109-9801 | 1 | Seat Track Set |
| 3 | 109-9814 | 1 | Arm Rest Pads Set |
| 4 | 109-9816 | 1 | Arm Rest Kit |
| 5 | 109-9805 | 1 | Seat Belt Kit |
| 6 | 109-9819 | 1 | Cover-Cushion |
| 7 | 109-9810 | 1 | Cover-Back |
| 8 | 82-2190 | 1 | Switch-Bail |



Motion Control Assembly

| Ref. | Part Number | Qty. | Description | Ref. | Part Number | Qty. | Description |
|------|-------------|------|-----------------------------------|------|-------------|------|------------------------|
| 1 | 116-0880 | 1 | RH Motion Control And Bushing ASM | 14 | 109-6589 | 1 | RH Steering Handle ASM |
| 1:2 | 109-8054 | 4 | Bushing-Flange | 14:1 | 109-5668 | 1 | Grip-Control, Lever |
| 2 | 116-0881 | 1 | LH Motion Control And Bushing ASM | 15 | 109-6590 | 1 | LH Steering Handle ASM |
| 2:2 | 109-8054 | 4 | Bushing-Flange | 15:1 | 109-5668 | 1 | Grip-Control, Lever |
| 3 | 116-0648 | 2 | Screw-HH, Thread Locking ● | 16 | 104-8301 | 4 | Nut-Flange, NI |
| 4 | 109-4581 | 2 | Arm-Control, Pump | 17 | 323-7 | 4 | Screw-HH |
| 5 | 9080046 | 2 | Screw-HH ● | 18 | 109-5575 | 2 | Spring-Leaf |
| 6 | 1-303435 | 2 | Washer-Spring | 19 | 109-8107 | 2 | Pump Linkage Rear ASM |
| 7 | 116-0027 | 2 | Damper-Control, Motion | 19:2 | 3219-2 | 2 | Nut-Hex |
| 8 | 104-8300 | 8 | Nut-Flange, NI | 19:3 | 1-323245 | 2 | Spring-Compression |
| 9 | 3230-2 | 2 | Bolt-CARR | 19:4 | 1-633152 | 1 | Balljoint-LH |
| 10 | 109-5891 | 2 | Hub-Threaded | 19:5 | 1-543017 | 1 | Balljoint-RH |
| 11 | 325-12 | 2 | Screw-HH | 20 | 109-9505 | 4 | Washer-Spring |
| 12 | 116-0039 | 1 | Lever-Control Motion, RH | 21 | 3256-6 | 2 | Washer-Flat |
| 13 | 116-0040 | 1 | Lever-Control Motion, LH | 22 | 32128-56 | 2 | Nut-HF |
| | | | | 23 | 3256-23 | 2 | Washer-Flat |
| | | | | 24 | 3218-5 | 2 | Nut-Jam |
| | | | | 25 | 115-1794 | 2 | Screw-HHF |

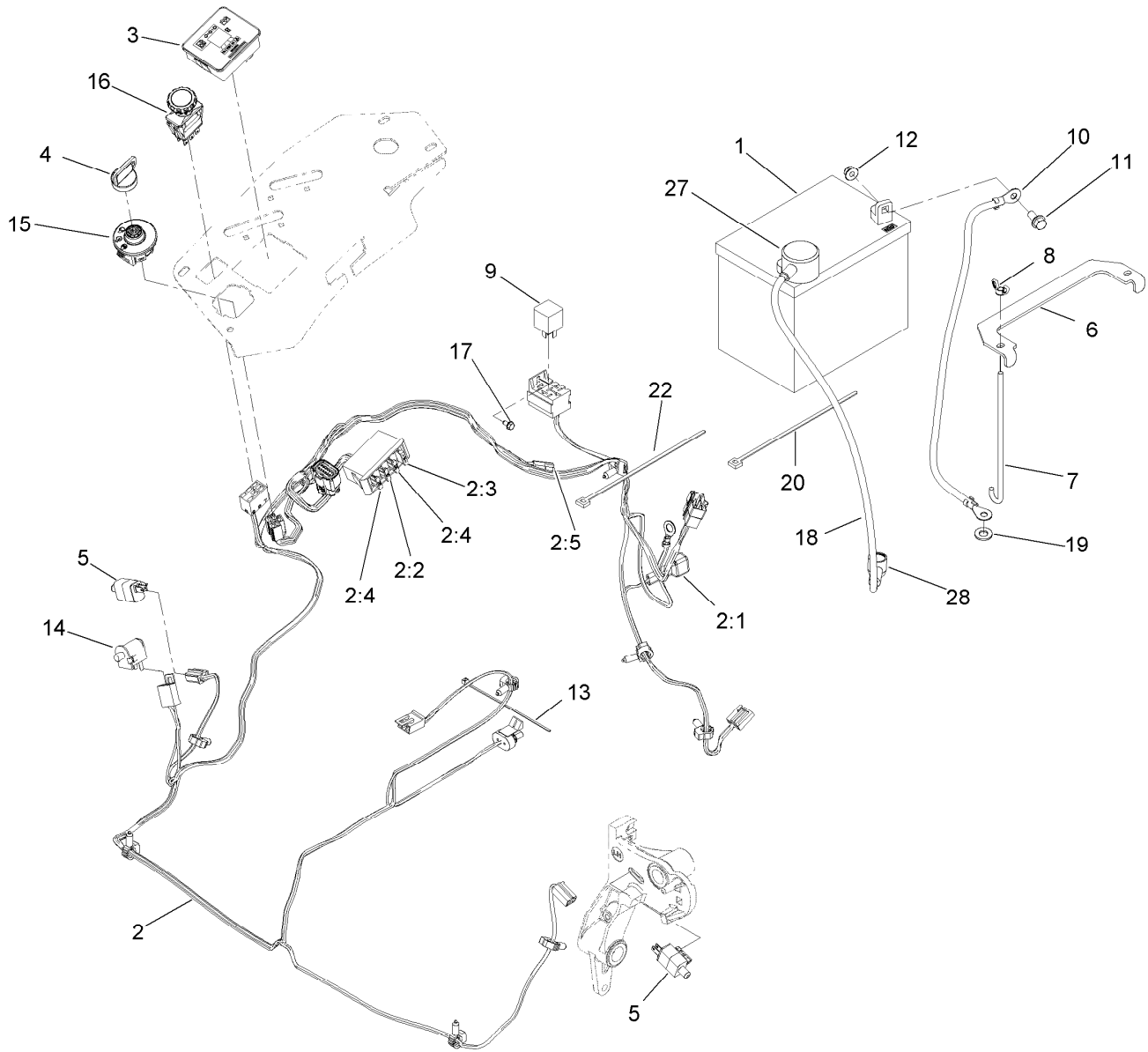
● Use Pro-Lock, Nut Type (P/N 1-840022, .5ml tube) on threads.



Fender, Console and Control Assembly

| Ref. | Part Number | Qty. | Description |
|------|-------------|------|----------------------|
| 1 | 119-2602 | 1 | Console-LH |
| 2 | 119-2603 | 1 | RH Console ASM |
| 2:2 | 107069 | 4 | Clip |
| 3 | 119-6663 | 1 | Control Panel ASM |
| 3:2 | 121-7551 | 1 | Decal-Control Panel |
| 3:3 | 114-4466 | 1 | Decal-Fuses |
| 4 | 115-2753 | 1 | Choke Control ASM |
| 5 | 110-5727 | 1 | Throttle Control ASM |

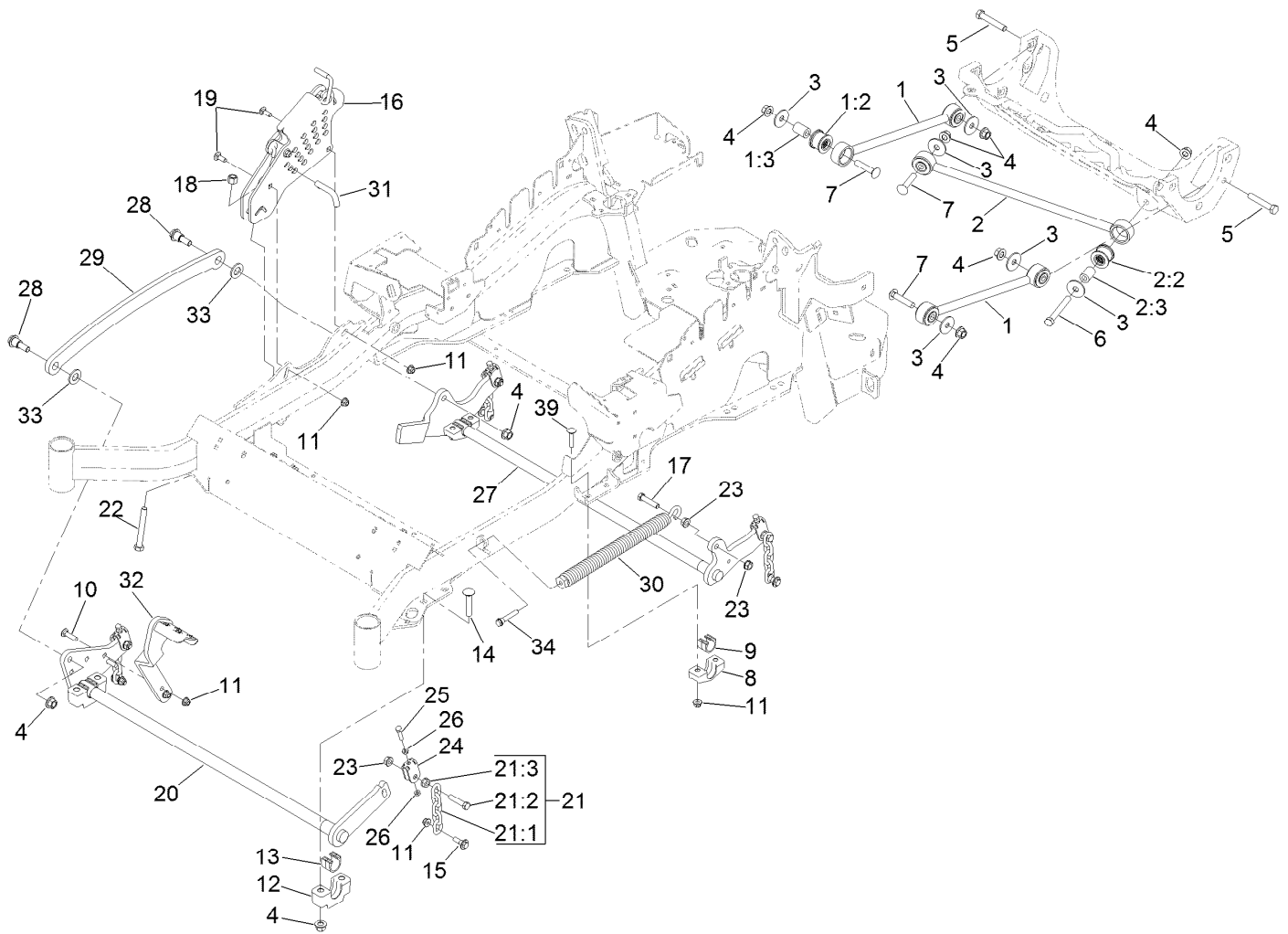
| Ref. | Part Number | Qty. | Description |
|------|-------------|------|----------------|
| 5:1 | 112-2334 | 1 | Lever-Throttle |
| 5:2 | 110-5728 | 1 | Cable-Throttle |
| 6 | 1-807513 | 2 | Bolt-CARR |
| 7 | 3296-2 | 2 | Nut-Lock, NI |
| 8 | 32105-15 | 4 | Screw |
| 9 | 1-603175 | 1 | Knob-Ball |
| 11 | 3220-3 | 1 | Nut-HJ |
| 12 | 117-7817 | 1 | Clamp-Harness |



Electrical Assembly

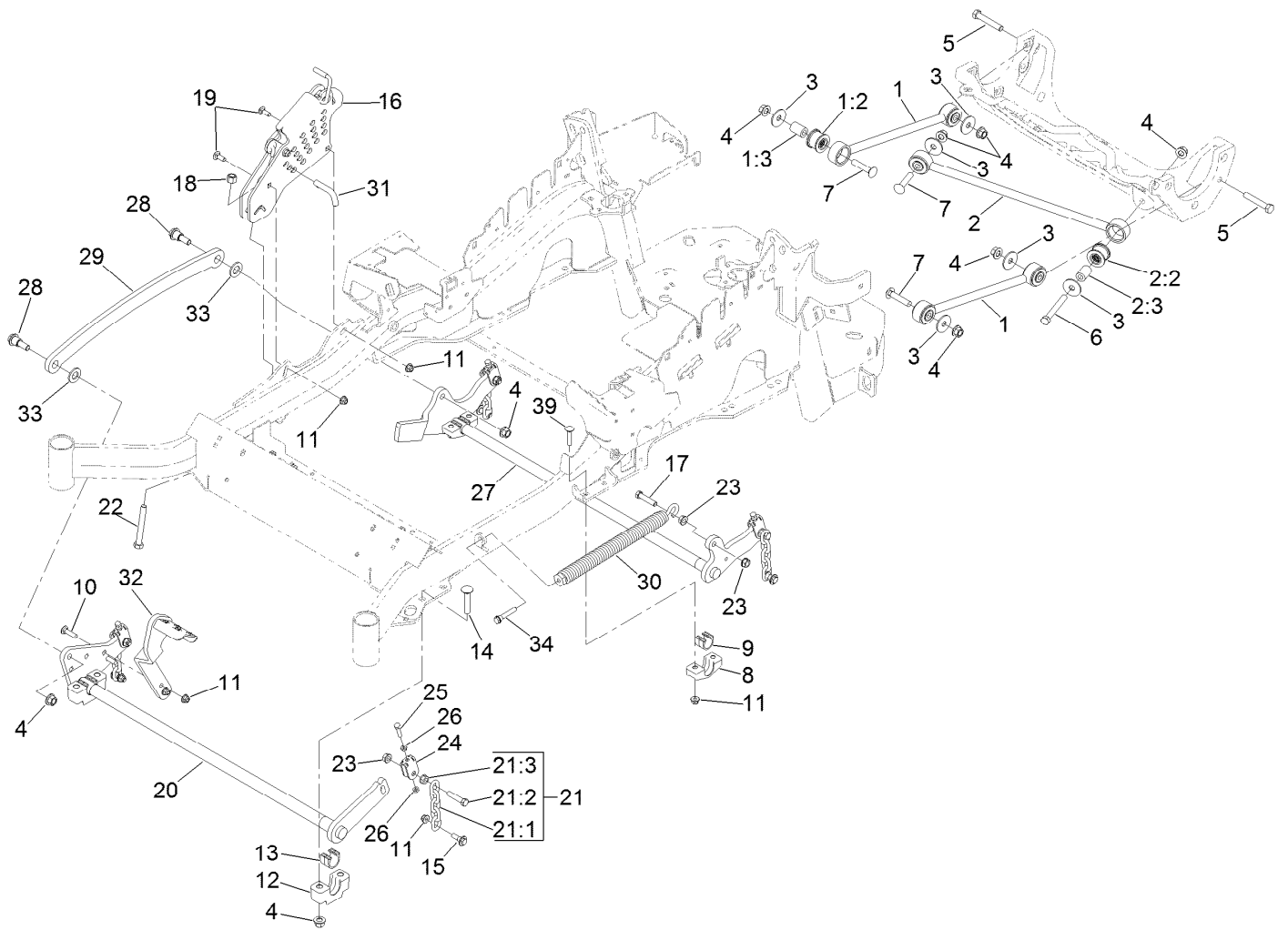
| <i>Ref.</i> | <i>Part Number</i> | <i>Qty.</i> | <i>Description</i> | <i>Ref.</i> | <i>Part Number</i> | <i>Qty.</i> | <i>Description</i> |
|-------------|--------------------|-------------|-------------------------|-------------|--------------------|-------------|-------------------------|
| 1 | 104-8162 | 1 | Battery | 10 | 114-1218 | 1 | Cable-Battery, Negative |
| 2 | 116-6009 | 1 | Harness-Wire, Main ● | 11 | 3234-5 | 2 | Screw-HHF |
| 2:1 | 103-3895 | 1 | Diode-Tvs | 12 | 104-8300 | 2 | Nut-Flange, NI |
| 2:2 | 218-578 | 1 | Fuse-Blade, 10 Amp | 13 | 1-303287 | 3 | Tie-Cable |
| 2:3 | 109355 | 1 | Fuse-Blade, 15 Amp | 14 | 82-2190 | 1 | Switch-Bail |
| 2:4 | 109102 | 2 | Fuse-Blade, 25 Amp | 15 | 117-2221 | 1 | Switch-Ignition |
| 2:5 | 116-0053 | 1 | Cap-Plug | 16 | 116-0124 | 1 | Switch-PTO, 10A |
| 3 | 117-3882 | 1 | Fuel/Hour Meter ASM | 17 | 104-2065 | 1 | Screw-HWH |
| 4 | 63-8360 | 1 | Key-Ignition (W/Shield) | 18 | 115-3864 | 1 | Cable-Battery, Positive |
| 5 | 110-6765 | 2 | Switch-Single Pole No | 19 | 3256-24 | 1 | Washer-Flat |
| 6 | 116-0042-03 | 1 | Strap-Tie Down, Battery | 20 | 1-303335 | 1 | Tie-Plastic |
| 7 | 1-633651 | 2 | Bolt-Holddown | 22 | 1-303335 | 1 | Tie-Plastic |
| 8 | 1-543792 | 2 | Wingnut | 27 | 109-2407 | 1 | Insulator-Battery |
| 9 | 1-643275 | 1 | Relay | 28 | 1-543393 | 1 | Insulator-Solenoid |

● Use dielectric grease on all unsealed connectors and terminals only. Do not apply in sealed connectors.



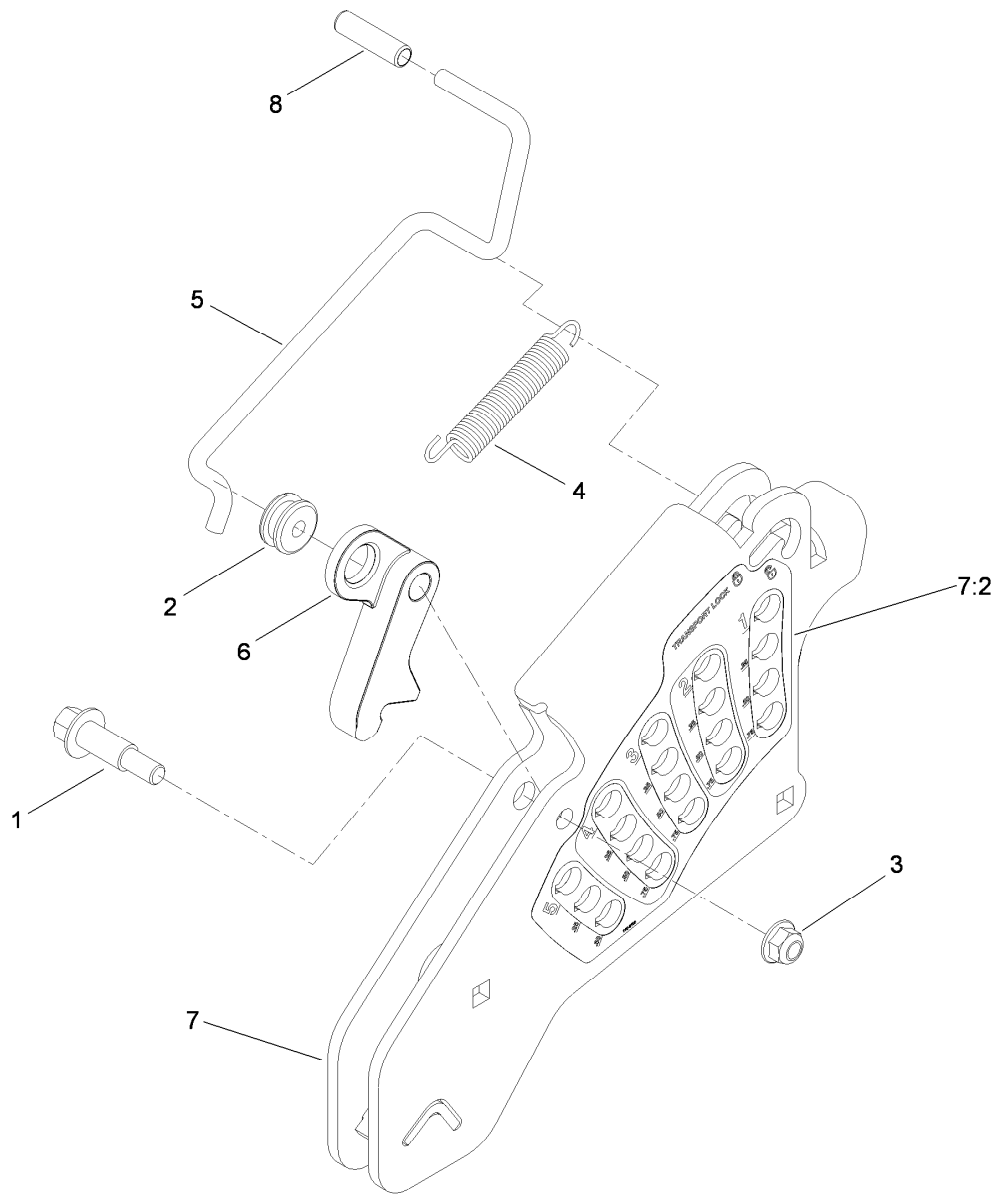
Deck Lift Assembly

| Ref. | Part Number | Qty. | Description | Ref. | Part Number | Qty. | Description |
|------|-------------|------|------------------------------------|------|-------------|------|-----------------------|
| 1 | 109-7952 | 2 | Deck Strut ASM | 14 | 116-1700 | 4 | Bolt-CARR |
| 1:2 | 109-5009 | 2 | Bushing-Suspension, Rubber | 15 | 109-9840 | 4 | Screw-Shoulder, HHF |
| 1:3 | 109-5010 | 2 | Spacer | 16 | 109-7438 | 1 | HOC ASM |
| 2 | 109-5013 | 1 | Panhard Rod ASM | 17 | 109-9065 | 1 | Screw-HH |
| 2:2 | 109-5009 | 2 | Bushing-Suspension, Rubber | 18 | 3296-23 | 1 | Nut-Lock, NI |
| 2:3 | 109-5010 | 2 | Spacer | 19 | 3231-2 | 2 | Bolt-CARR |
| 3 | 86-1990 | 6 | Washer | 20 | 116-2217-03 | 1 | Front Cross Shaft ASM |
| 4 | 99-5107 | 12 | Nut-Lock | 21 | 116-0756 | 4 | Deck Lift Chain ASM |
| 5 | 325-12 | 2 | Screw-HH | 21:1 | 1-633447 | 1 | Chain-Lift, Deck |
| 6 | 325-17 | 1 | Screw-HH | 21:2 | 109-9065 | 1 | Screw-HH |
| 7 | 3233-34 | 3 | Screw-CARR | 21:3 | 32128-37 | 1 | Nut-HF |
| 8 | 116-0818-03 | 2 | Support-Cross Shaft, Rear Bearing | 22 | 116-0559 | 1 | Bolt-TAP |
| 9 | 109-7173 | 2 | Bearing-Cross Shaft, Rear | 23 | 32128-37 | 6 | Nut-HF |
| 10 | 3231-4 | 2 | Screw-CARR | 24 | 109-9066 | 4 | Yoke-Adjust, Deck |
| 11 | 104-8301 | 12 | Nut-Flange, NI | 25 | 322-47 | 4 | Screw-HH |
| 12 | 109-9409 | 2 | Support-Cross Shaft, Front Bearing | 26 | 3218-2 | 8 | Nut-Jam |
| 13 | 109-9410 | 2 | Bearing-Cross Shaft, Front | 27 | 116-0459-03 | 1 | Lift-Deck, Rear |
| | | | | 28 | 116-0780 | 2 | Screw-HHF, Shoulder |
| | | | | 29 | 116-0797-03 | 1 | Link-Lift, Deck |
| | | | | 30 | 116-0886 | 1 | Extension Spring ASM |
| | | | | 31 | 116-5584 | 1 | Pin-HOC |



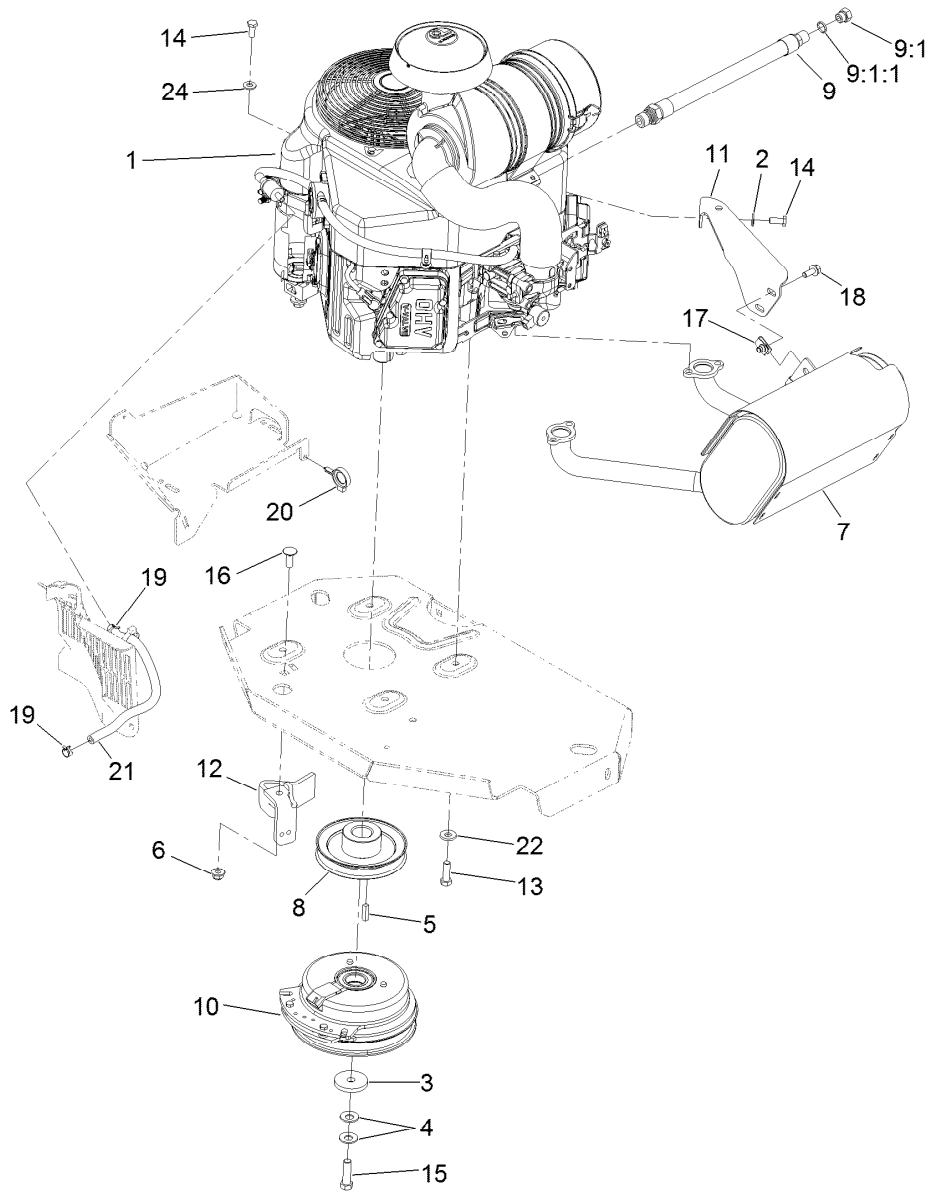
Deck Lift Assembly (continued)

| <i>Ref.</i> | <i>Part Number</i> | <i>Qty.</i> | <i>Description</i> | <i>Ref.</i> | <i>Part Number</i> | <i>Qty.</i> | <i>Description</i> |
|-------------|--------------------|-------------|--------------------|-------------|--------------------|-------------|--------------------|
| 32 | 116-1919-01 | 1 | Lever-Foot | 34 | 92-7674 | 1 | Bolt-Shoulder |
| 33 | 3256-28 | 2 | Washer-Flat | 39 | 3231-5 | 4 | Screw-CARR |



Height-of-Cut Assembly No. 109-7438

| Ref. | Part Number | Qty. | Description |
|------|-------------|------|---------------------|
| 1 | 62-1330 | 1 | Bolt-Shoulder |
| 2 | 109-7130 | 1 | Grommet |
| 3 | 104-8301 | 1 | Nut-Flange, NI |
| 4 | 109-7124 | 1 | Spring-Extension |
| 5 | 109-7128 | 1 | Rod-Lock, Transport |
| 6 | 116-0118 | 1 | Pawl-Transport, HOC |
| 7 | 109-7335 | 1 | HOC Plate ASM |
| 7:2 | 116-0752 | 1 | Decal-HOC |
| 8 | 109-8250 | 1 | Grip-Lever |



Engine, Muffler and Clutch Assembly

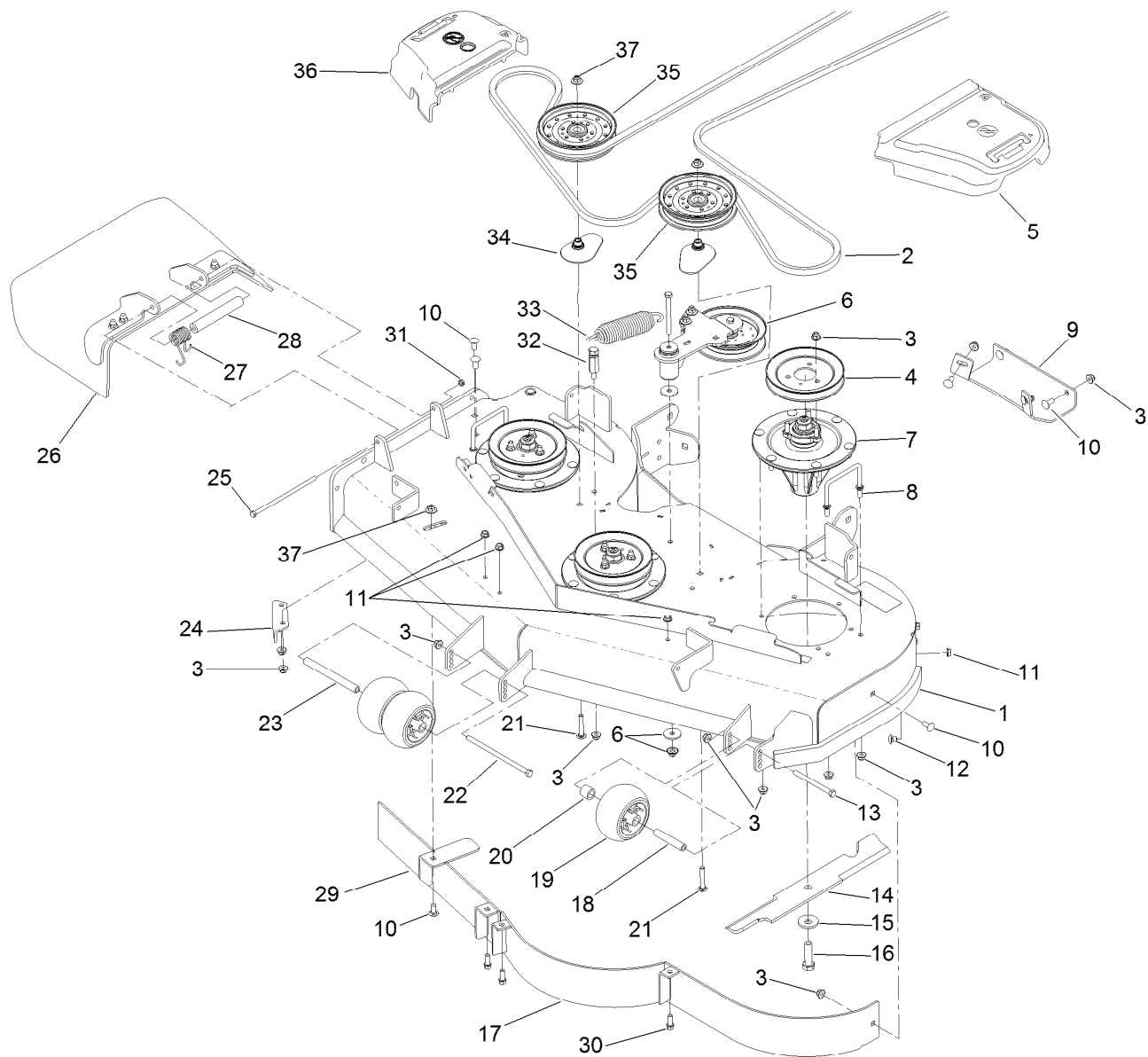
| Ref. | Part Number | Qty. | Description | Ref. | Part Number | Qty. | Description |
|-------|-------------|------|----------------------------------|------|-------------|------|-----------------------|
| 1 | | 1 | Engine-Kawasaki, Fx691V-S17-R ●■ | 11 | 116-1435 | 1 | Bracket-Muffler |
| 2 | 1-303334 | 1 | Washer-Spring | 12 | 116-2612-01 | 1 | Clutch-Anchor |
| 3 | 109-6919 | 1 | Washer-Clutch | 13 | 323-7 | 4 | Screw-HH |
| 4 | 1-603610 | 2 | Washer-Spring | 14 | 33114-020 | 2 | Screw-HH |
| 5 | 1-807259 | 1 | Key | 15 | 109-9761 | 1 | Screw-HH, W/Loctite ◆ |
| 6 | 104-8301 | 1 | Nut-Flange, NI | 16 | 3231-22 | 1 | Screw-CARR |
| 7 | 116-1715 | 1 | Muffler | 17 | 94-2413 | 2 | U-Nut |
| 8 | 116-1946 | 1 | Sheave-Pump, Drive | 18 | 3234-5 | 2 | Screw-HHF |
| 9 | 116-4924 | 1 | Engine Oil Drain Hose ASM ▲ | 19 | 2412-98 | 2 | Clamp-Hose |
| 9:1 | 353-508 | 1 | Plug-HH | 20 | 105-1853 | 1 | Clamp-Hose |
| 9:1:1 | 237-42 | 1 | O-Ring | 21 | 109-0296 | 1 | Hose-Fuel |
| 10 | 116-1947 | 1 | Clutch | 22 | 98-5975 | 4 | Washer-Belleville |
| | | | | 24 | 33094-00 | 1 | Washer-Plain |

● Not serviced separately

▲ Use a Teflon Pipe Sealant or equivalent on threads.

◆ Use Pro-Lock, Nut Type (P/N 1-840022, .5ml tube) on threads.

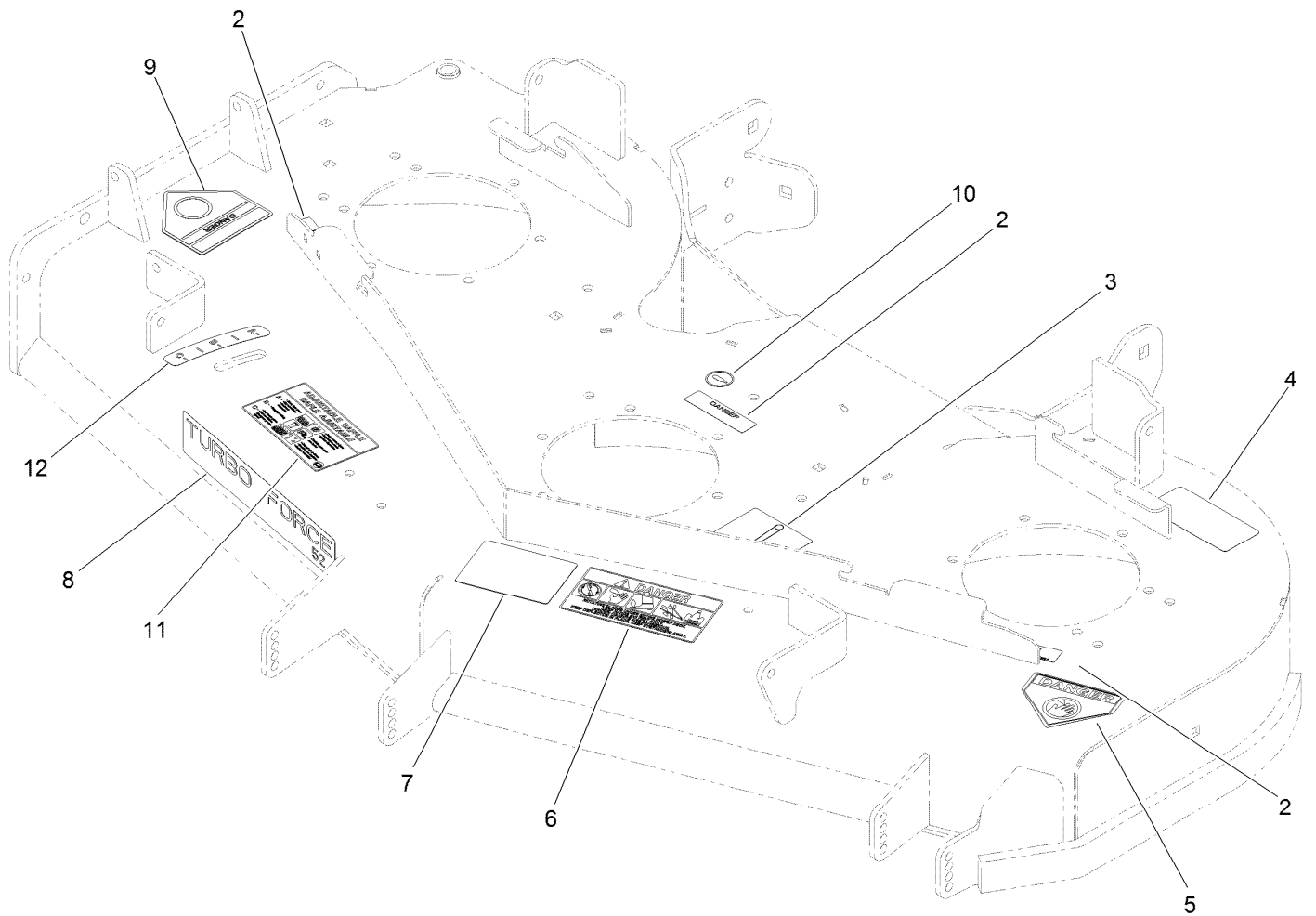
■ Obtain parts from www.kawpowerepc.com



Deck Assembly

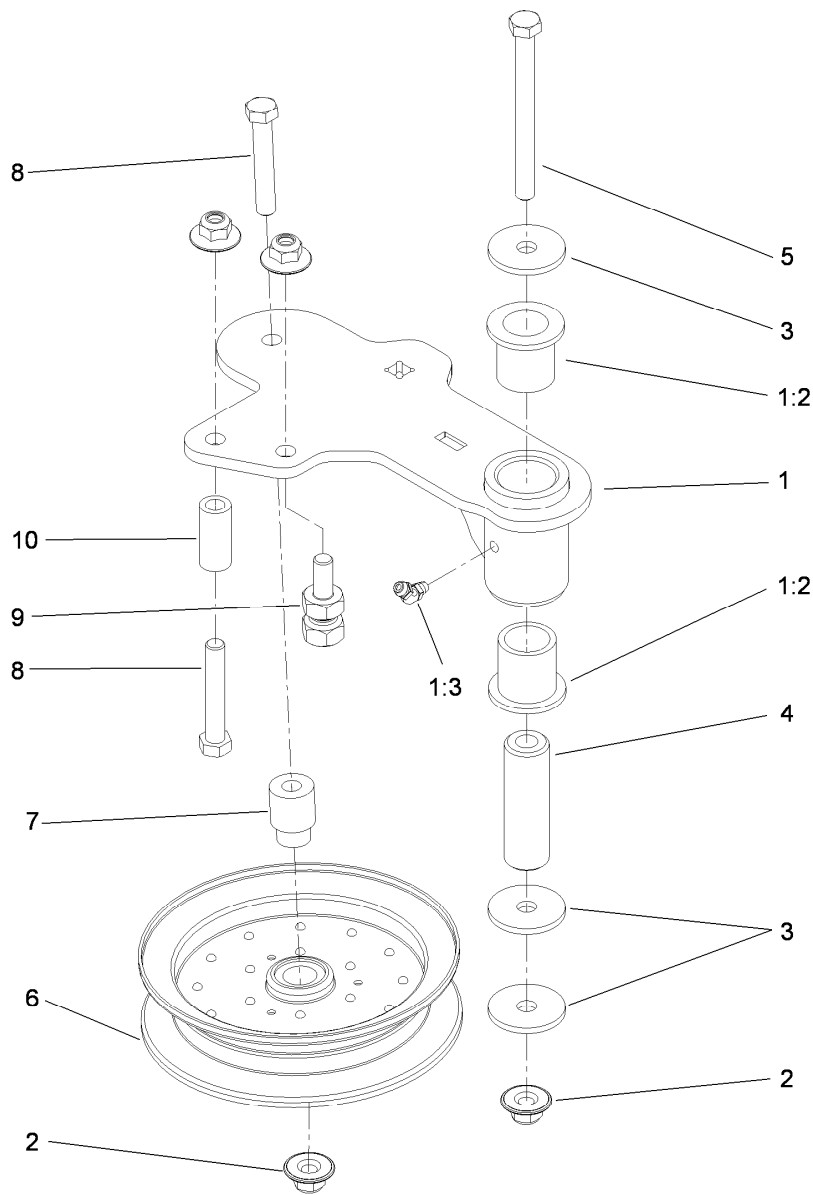
| Ref. | Part Number | Qty. | Description | Ref. | Part Number | Qty. | Description |
|------|-------------|------|--------------------------|------|-------------|------|-----------------------|
| 1 | 114-5810 | 1 | Deck Decal ASM | 20 | 98-7913 | 1 | Tube-Spacer |
| 2 | 115-7426 | 1 | Belt-V | 21 | 3231-40 | 2 | Bolt-CARR, Short Neck |
| 3 | 104-8301 | 41 | Nut-Flange, NI | 22 | 108-5388 | 1 | Screw-HH |
| 4 | 115-7450 | 3 | Pulley | 23 | 98-5967 | 1 | Spacer-Wheel |
| 5 | 109-6936 | 1 | Cover-Belt, LH | 24 | 107-8541-01 | 1 | Baffle-Discharge |
| 6 | | 1 | Idler Arm ASM ● | 25 | 322-50 | 1 | Screw-HH |
| 7 | 119-8560 | 3 | Spindle ASM | 26 | 108-2792 | 1 | Rubber Deflector ASM |
| 8 | 109-6982 | 2 | Wireform-Cover | 27 | 108-4052 | 1 | Spring-Torsion |
| 9 | 112-4230-01 | 1 | Plate-Skid | 28 | 105-4622 | 1 | Spacer |
| 10 | 3231-27 | 8 | Screw-CARR | 29 | 115-7455-01 | 1 | Baffle ASM |
| 11 | 3290-357 | 6 | Nut-HHF, Whiz | 30 | 92-1624 | 3 | Screw-HWH |
| 12 | 108-5387 | 3 | Screw-CARR | 31 | 3296-47 | 1 | Nut-Lock, NI |
| 13 | 323-23 | 1 | Screw-HH | 32 | 114-5867 | 1 | Anchor-Spring, Tall |
| 14 | 105-7781-03 | 3 | Blade-18 Inch, Hi Flow | 33 | 116-6317 | 1 | Spring-Extension |
| 15 | 103-0865 | 3 | Washer-Blade Bolt, Heavy | 34 | 109-2872 | 2 | Spacer-Pulley |
| 16 | 51-4060 | 3 | Screw-Blade | 35 | 116-4670 | 2 | Pulley-Idler, Flat |
| 17 | 115-7461-01 | 1 | Baffle ASM | 36 | 109-6935 | 1 | Cover-Belt, RH |
| 18 | 98-7912 | 1 | Tube-Spanner | 37 | 109-6658 | 3 | Nut-Flange, NI |
| 19 | 1-603299 | 3 | Roller-Scalp, Anti | | | | |

● Not serviced separately



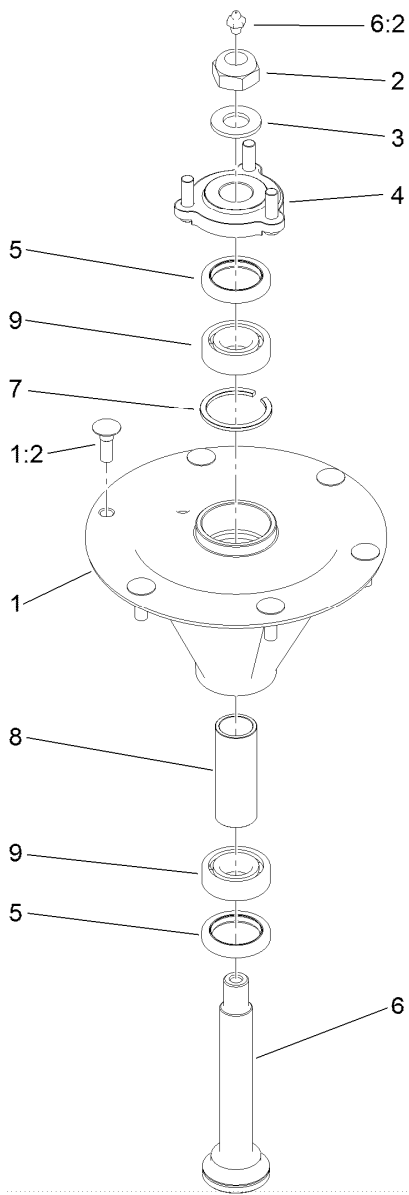
Deck Decal Assembly No. 114-5810

| Ref. | Part Number | Qty. | Description |
|------|-------------|------|-----------------------------|
| 2 | 98-5954 | 3 | Decal-Cover, Missing |
| 3 | 115-7445 | 1 | Decal-Routing, Deck Belt |
| 4 | 68-8340 | 1 | Decal-Torque |
| 5 | 1-403005 | 1 | Decal-Danger |
| 6 | 66-1340 | 1 | Decal-Danger, Thrown Object |
| 7 | 105-7798 | 1 | Decal-Scalp, Anti |
| 8 | 107-1618 | 1 | Decal |
| 9 | 54-9220 | 1 | Decal-Danger |
| 10 | 58-6520 | 1 | Decal-Grease |
| 11 | 110-2068 | 1 | Decal-Adjustment, Baffle |
| 12 | 110-2067 | 1 | Decal-Setting, Baffle |



Idler Assembly

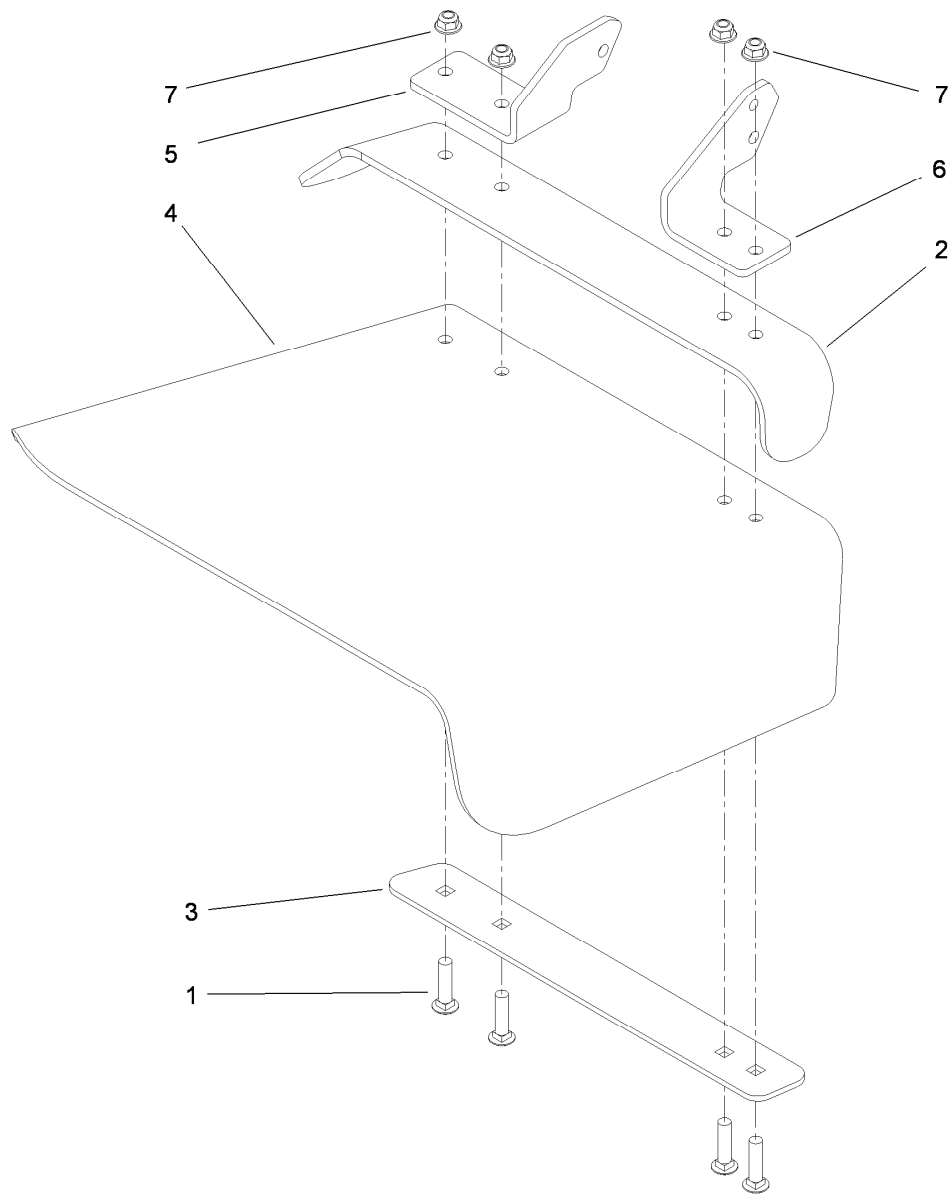
| Ref. | Part Number | Qty. | Description |
|------|-------------|------|-----------------------|
| 1 | 114-5870 | 1 | Idler Arm ASM |
| 1:2 | 1-303514 | 2 | Bearing-Flanged |
| 1:3 | 1481 | 1 | Fitting-Grease |
| 2 | 109-6658 | 4 | Nut-Flange, NI |
| 3 | 1-213069 | 3 | Washer |
| 4 | 114-5848 | 1 | Spacer-Plain |
| 5 | 98-5961 | 1 | Screw-HH |
| 6 | 116-4668 | 1 | Idler-Pulley, Flanged |
| 7 | 112-4212 | 1 | Mount-Pulley |
| 8 | 323-11 | 2 | Screw-HH |
| 9 | 114-5866 | 1 | Anchor-Spring, Short |
| 10 | 104-0151 | 1 | Spacer |



Spindle Assembly No. 119-8560

| <i>Ref.</i> | <i>Part Number</i> | <i>Qty.</i> | <i>Description</i> |
|-------------|--------------------|-------------|---------------------------------|
| 1 | | 1 | Spindle Housing And Studs ASM ● |
| 1:2 | 114-8195 | 6 | Bolt-Ribbed Neck |
| 2 | 3296-67 | 1 | Nut-Lock, NI |
| 3 | 92-5836 | 1 | Washer |
| 4 | 117-6172 | 1 | Spindle Hub ASM |
| 5 | 253-133 | 2 | Seal-Oil |
| 6 | 119-8527 | 1 | Spindle Shaft And Zerk ASM |
| 6:2 | 302-2 | 1 | Fitting-Grease |
| 7 | 119-8532 | 1 | Snap Ring |
| 8 | 117-6184 | 1 | Spacer |
| 9 | 119-8558 | 2 | Bearing-Noseal |

● Not serviced separately



Rubber Deflector Assembly No. 108-2792

| <i>Ref.</i> | <i>Part Number</i> | <i>Qty.</i> | <i>Description</i> |
|-------------|--------------------|-------------|--------------------|
| 1 | 3231-4 | 4 | Screw-CARR |
| 2 | 106-3246-01 | 1 | Deflector |
| 3 | 106-3248-03 | 1 | Strap-Discharge |
| 4 | 108-5029 | 1 | Deflector-Rubber |
| 5 | 108-4059-01 | 1 | Plate-Hinge, Rear |
| 6 | 106-3253-01 | 1 | Plate-Hinge, Front |
| 7 | 104-8301 | 4 | Nut-Flange, NI |

Attachments and Accessories

For 74953 Z Master Commercial 3000 Series Riding Mower with 52in TURBO FORCE Side Discharge Mower

| Product Name | Model/Part |
|--|-------------------|
| Blade-Recycler, 18in..... | 105-7779-03 |
| Blade-Hi Flow, 18in..... | 105-7781-03 |
| Blade-Med Flow, 18in..... | 105-7794-03 |
| Blade-Low Flow, 18in..... | 105-7795-03 |
| Blade-Atomic, 18in..... | 105-7796-03 |
| Blade-Hi Flow, 18in (6 Pack)..... | 108-1117 |
| Blade-Atomic, 18in (6 Pack)..... | 108-1118 |
| Anti-Scalp Kit (Trim Side)..... | 108-4140 |
| Hitch Kit..... | 109-9487 |
| Blade-Lo Flow, 18in (6 Pack)..... | 110-0406 |
| Blade-Recycler, 18in (6 Pack)..... | 110-0408 |
| Blade-Med Flow, 18in (6 Pack)..... | 110-0409 |
| Hypr-Oil 500 (quart)..... | 114-4713 |
| Hypr-Oil 500 (gallon)..... | 114-4714 |
| Hypr-Oil 500-5 (5 gallon)..... | 114-4715 |
| Bimini Folding Shade Assembly..... | 115-4510 |
| Recycler Kit..... | 115-7467 |
| Roller Striper Kit..... | 115-7470 |
| Light Kit..... | 116-1154 |
| Operator-Controlled Discharge Chute Kit..... | 117-3600 |
| Deluxe Suspension Seat Kit..... | 117-6174 |
| Z Stand Kit..... | 121-4811 |
| Toro Deluxe Rider Cover..... | 490-7319 |
| Spark Arrestor Screen..... | 75-6880 |
| Blower and Drive Kit..... | 78552 |
| E-Z Vac Twin Bagging System..... | 78562 |
| E-Z Vac DFS Collection System..... | 78566 |
| Filter Minder Gauge..... | 99-4664 |
| Trash Holder Kit..... | TC26 |

Notes:

Notes:



Count on it.