



Count on it.

Parts Catalog

**Z Master® Professional 6000
Series Riding Mower**

**with 60in TURBO FORCE® Side Discharge
Mower**

Model No. 74925—Serial No. 313000001 and Up



Ordering Replacement Parts

To order replacement parts, please supply the part number, the quantity, and the description of each part desired.

Understanding Reference Numbers

Each identified part in an illustration has a reference number. The reference number for a part also appears in the parts list, along with other information about the part.

This catalog uses two special reference number formats, one to indicate parts in a service assembly and another to indicate the quantity of a given part in an illustration.

Service Assembly Reference Numbers

Parts in service assemblies have reference numbers in the form a:b. The a represents the reference number of the entire service assembly and the b represents a sequential number unique to each part within the service assembly.

For example, a wheel assembly might be identified by reference number 6, the tire by 6:1, the valve by 6:2, and the wheel by 6:3. When you order the assembly identified by reference number 6, you receive all parts identified by reference numbers 6:1, 6:2, and 6:3. However, you may also order any part individually. Reference numbers of this type appear in illustration and in parts lists.

Reference Numbers Indicating Quantity

In an illustration, if a reference number indicates more than one part, the reference number has the form nX y. The n represents the quantity of the part, the X is the multiplication symbol, and the y represents the reference number.

For example, in an illustration, the reference number 2X 37 means that two of the parts identified by reference number 37 are indicated.

List of Abbreviations

AR: as required

ASM: assembly

BBC: blade brake control

BHTF: button head thread forming

CARR: carriage

CCW: counter clockwise

CW: clockwise

DEG: degrees

DPA: Dual Point Adjustment

ECM: electronic control module

EXT: external

FH: flat head

GA: gauge

HD: heavy-duty

HF: hex flange

HH: hex head

HHF: hex head flange

HHFTF: hex head flange thread forming

HJ: hex jam

HLH: hex lag head

HOC: height-of-cut

HSBH: hex socket button head

HSFH: hex socket flat head

HSH: hex socket head

HWH: hex washer head

HWHTF: hex washer head thread forming

HYD: hydraulic

LH: left hand

LP: Liquefied Petroleum Gas

LPG: Liquefied Petroleum Gas

NI: nylon insert

NPTF: national pipe thread fine

PFH: phillips flat head

PPH: phillips pan head

PPHTF: phillips pan head thread forming

PRH: phillips round head

PTH: phillips truss head

PTO: power-take-off

RH: right hand

ROPS: roll-over protection system

RRB: rear roller brush

SFH: slotted fillister head

SHH: slotted hex head

SHWH: slotted hex washer head

SPH: slotted pan head

SQH: square head

SRH: slotted round head

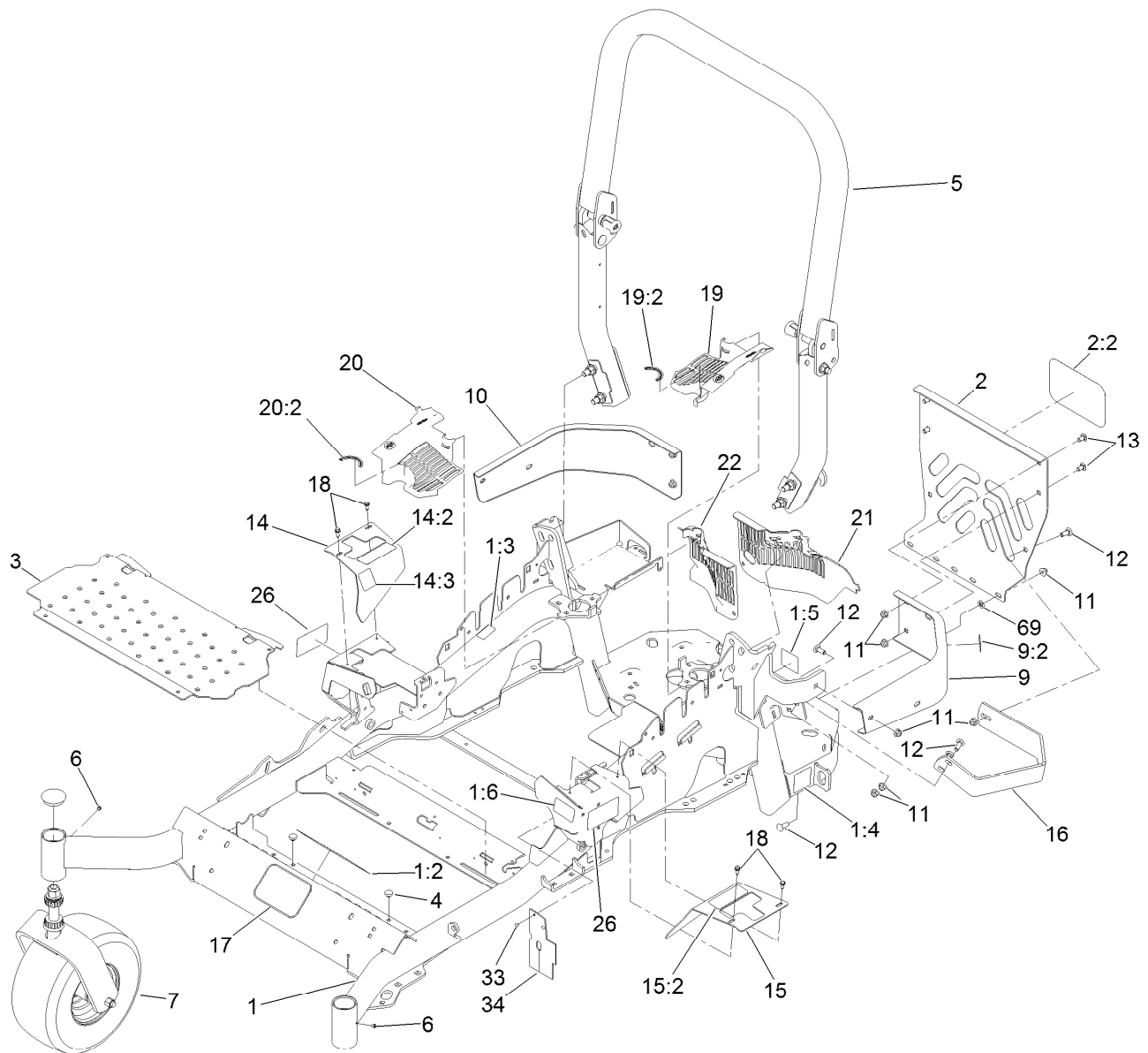
STD: standard

TAP: self tapping

TTH: torx truss head

Contents

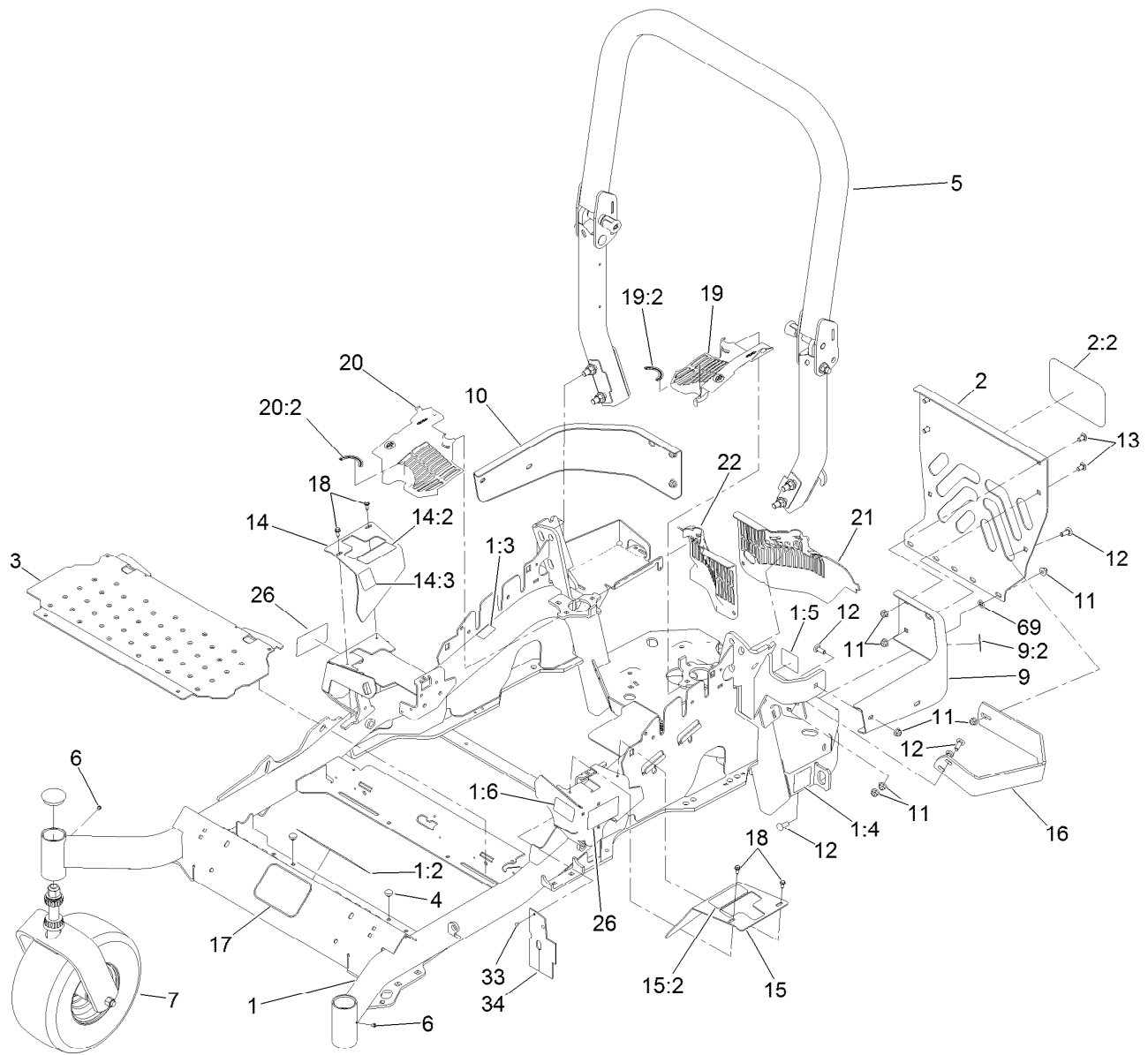
Frame and Caster Wheel Assembly	4
Roll-Over Protection System Assembly No. 116-0231	6
Caster Wheel and Fork Assembly	7
Hydraulic Pump, Idler and Belt Assembly	8
Pump Idler Assembly No. 116-1255	9
LH Hydro Assembly No. 116-6415	10
RH Hydro Assembly No. 116-6416	11
Rear Wheel and Park Brake Assembly	12
Parking Brake Handle Assembly No. 116-7551	13
Fuel Tank Mounting Assembly	14
Fuel Tank Assembly No. 116-3979	15
Seat Mount Assembly	16
Seat Assembly No. 125-3107	17
Motion Control Assembly	18
Fender, Console and Control Assembly	19
LH Console Assembly No. 115-7401	20
RH Console Assembly No. 115-7400	21
Electrical Assembly	22
Deck Lift Assembly	23
Height-of-Cut Assembly No. 109-7438	25
Engine, Muffler and Clutch Assembly	26
Deck Assembly	27
Deck Decal Assembly No. 112-4180	29
Idler Assembly	30
Spindle Assembly No. 119-8560	31
Rubber Deflector Assembly No. 108-2792	32
Lever Assembly No. 107-1664	33
Attachments and Accessories	34



Frame and Caster Wheel Assembly

Ref.	Part Number	Qty.	Description	Ref.	Part Number	Qty.	Description
1	116-5902	1	Mainframe ASM	13	3231-21	4	Screw-CARR
1:2	116-3303	1	Decal-Slope	14	116-5899	1	RH Motion Control Cover ASM
1:3	103-2076	2	Decal-Caution	14:2	109-7232	1	Decal-Motion Control
1:4	116-0205	2	Decal-Belt Drive	14:3	116-5944	1	Decal-Park Brake
1:5	116-4858	1	Decal-Spark Arrester	15	116-0580	1	LH Motion Control Cover ASM
1:6	116-1654	1	Decal-Fuel Fill	15:2	109-7232	1	Decal-Motion Control
2	115-7410	1	Rear Guard ASM	16	116-0043-03	1	Guard-Muffler
2:2	67-7320	1	Decal	17	68-3640	1	Decal
3	116-0024-01	1	Floorpan	18	32144-10	4	Screw-HWH
4	1-513658	2	Bumper	19	116-0170	1	LH Hydro Guard ASM
5	116-0231	1	ROPS ASM	19:2	116-0157	1	Decal-Hydro Oil
6	1-811010	2	Plug	20	116-0171	1	RH Hydro Guard ASM
7		2	Caster Wheel ASM ●	20:2	116-0157	1	Decal-Hydro Oil
9	116-0180	1	LH Bumper ASM	21	109-9057	1	Guard-Hydro, Rear LH
9:2	103-2076	1	Decal-Caution	22	109-9058	1	Guard-Hydro, Rear RH
10	116-0057-03	1	Bumper-RH	26	120-5895	2	Decal
11	104-8301	11	Nut-Flange, NI				
12	3231-22	7	Screw-CARR				

● Not serviced separately

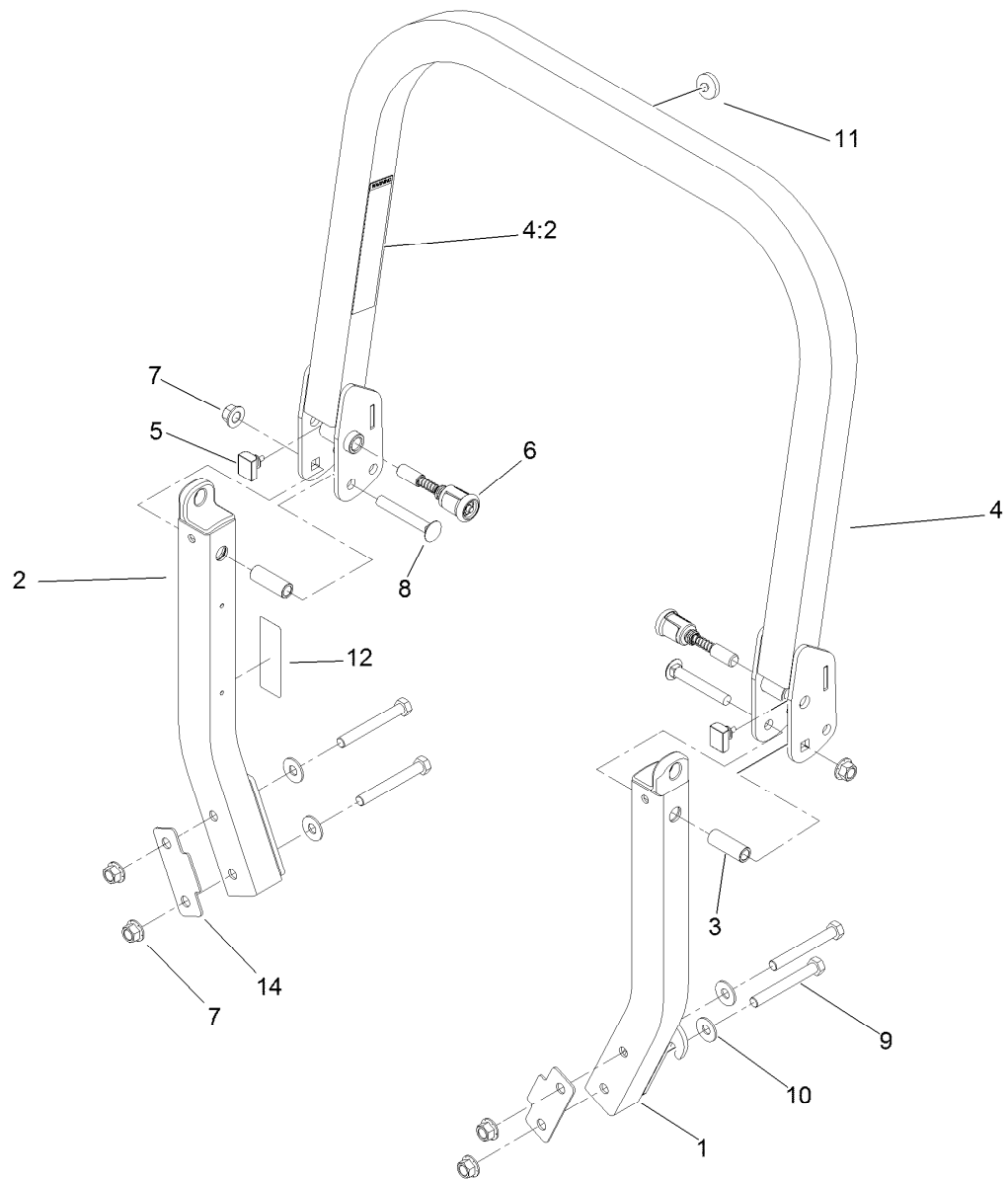


Frame and Caster Wheel Assembly (continued)

<i>Ref.</i>	<i>Part Number</i>	<i>Qty.</i>	<i>Description</i>
33	1-803035	2	Rivet-Pop

<i>Ref.</i>	<i>Part Number</i>	<i>Qty.</i>	<i>Description</i>
34	116-2362	1	Deflector-Air Flow
69	107-3154	2	Nut-Push

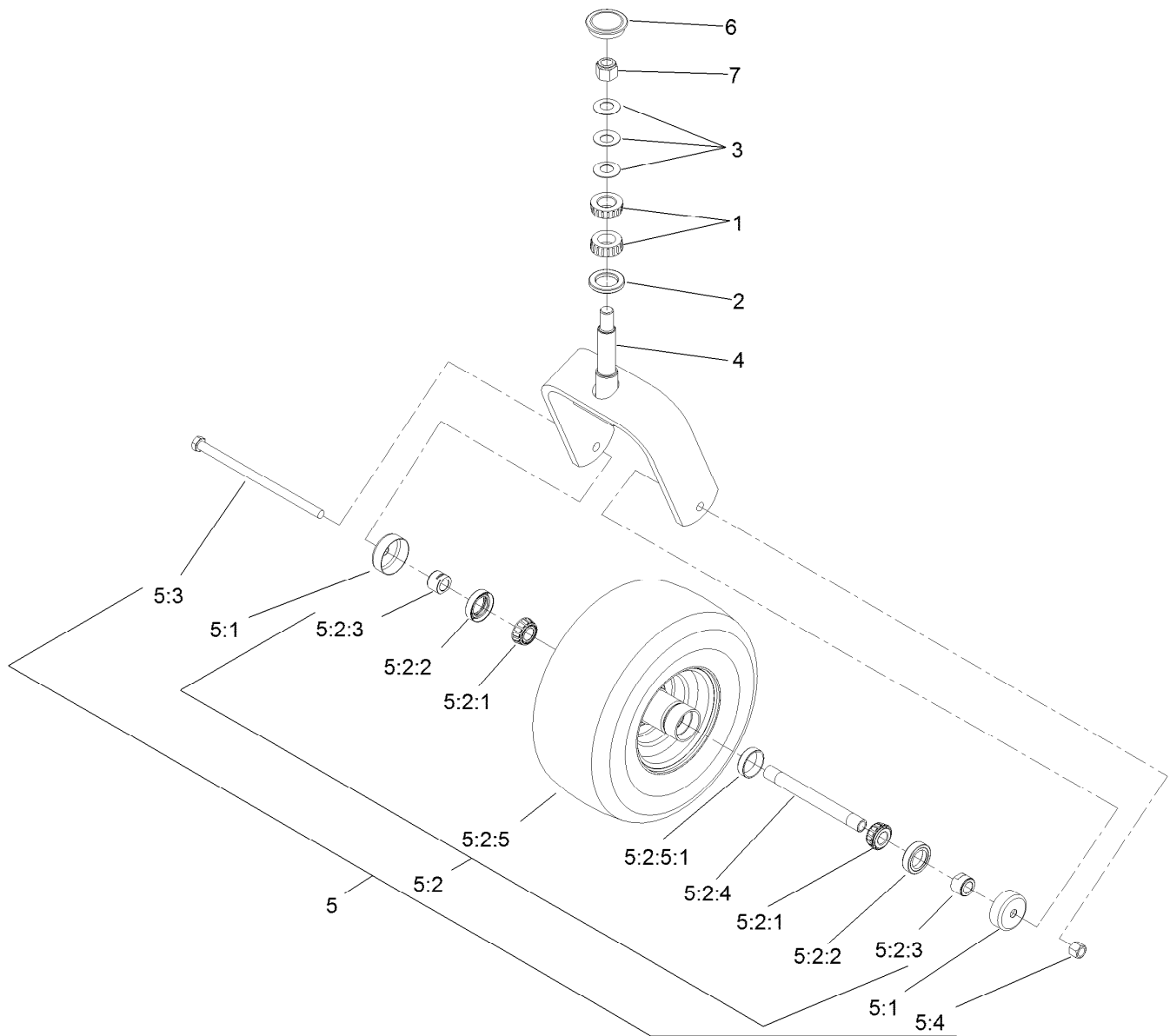
● Not serviced separately



Roll-Over Protection System Assembly No. 116-0231

Ref.	Part Number	Qty.	Description
1		1	LH ROPS Leg ASM ●
2		1	RH ROPS Leg ASM ●
3	109-6653	2	Spacer
4		1	Upper ROPS ASM ●
4:2	107-2102	1	Decal-Warning, Folding ROPS
5	109-5337	2	Bumper-ROPS
6	116-0104	2	Spring Pin ASM
7	99-5107	6	Nut-Lock
8	3233-10	2	Screw-CARR
9	325-17	4	Screw-HH
10	109-9505	4	Washer-Spring
11	109-9233	1	Bumper-Push-In, Rubber
12	116-0090	1	Decal-Caution
14	116-0960	2	Spacer

● Not serviced separately

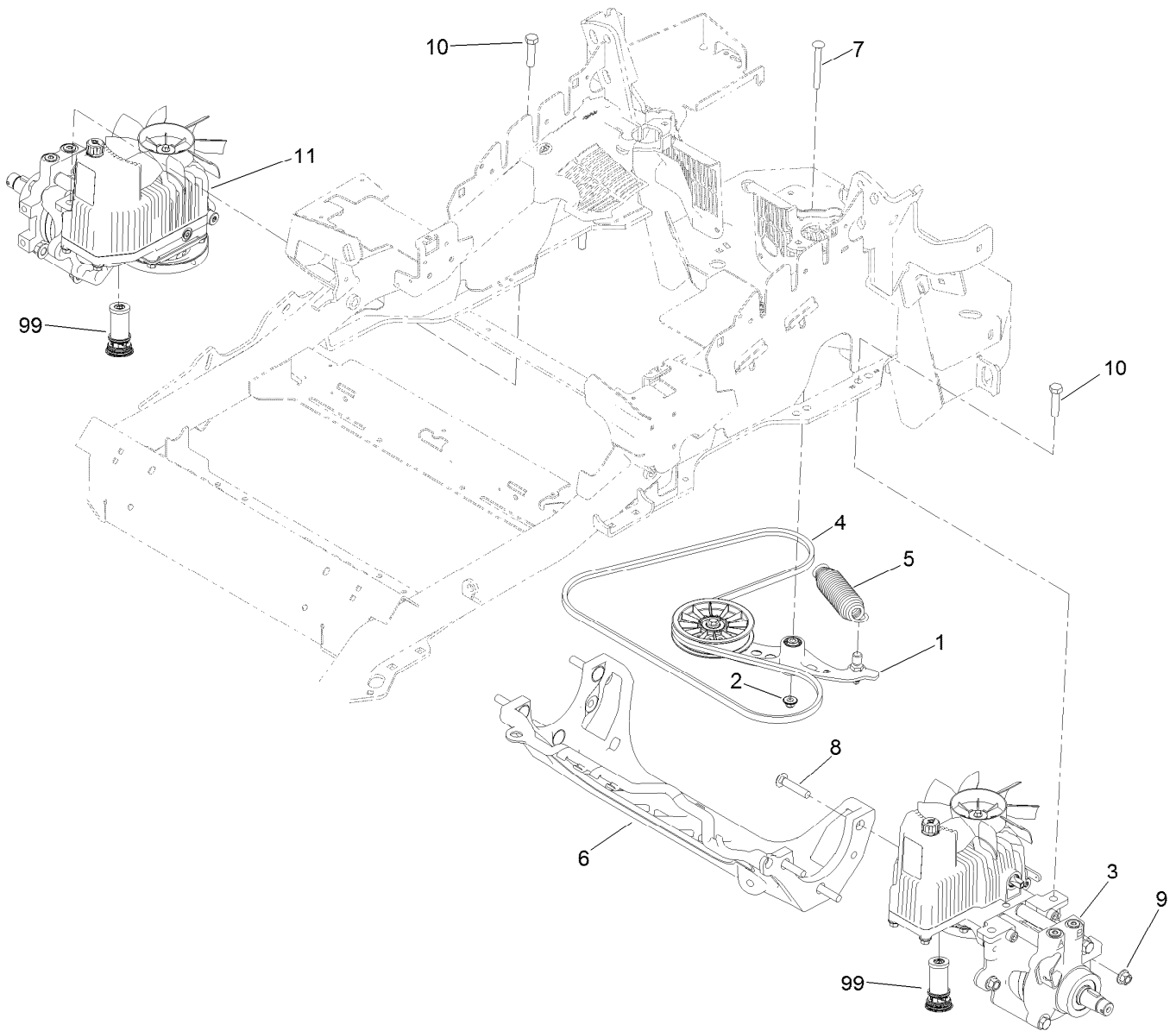


Caster Wheel and Fork Assembly

Ref.	Part Number	Qty.	Description	Ref.	Part Number	Qty.	Description
1	1-543509	2	Bearing-Roller, Tapered	5:2:3	103-3051	2	Spacer-Nut ■
2	116-5647	1	Seal-Grease	5:2:4	103-5156	1	Axle-Caster
3	1-633508	3	Washer-Bellville	5:2:5		1	Wheel And Tire ASM ●
4	116-6707-01	1	Caster	5:2:5:1	1-633584	1	Bearing-Cup
5	109-9127	1	Wheel And Tire ASM	5:3	325-39	1	Screw-HH
5:1	103-2768	2	Guard-Seal	5:4	3296-23	1	Nut-Lock, NI
5:2		1	Wheel And Tire ASM ●	6	103-4882	1	Cap-Grease
5:2:1	1-633585	2	Bearing-Cone, Taper	7	3296-51	1	Nut-Lock, NI
5:2:2	103-0063	2	Seal-Caster				

● Not serviced separately

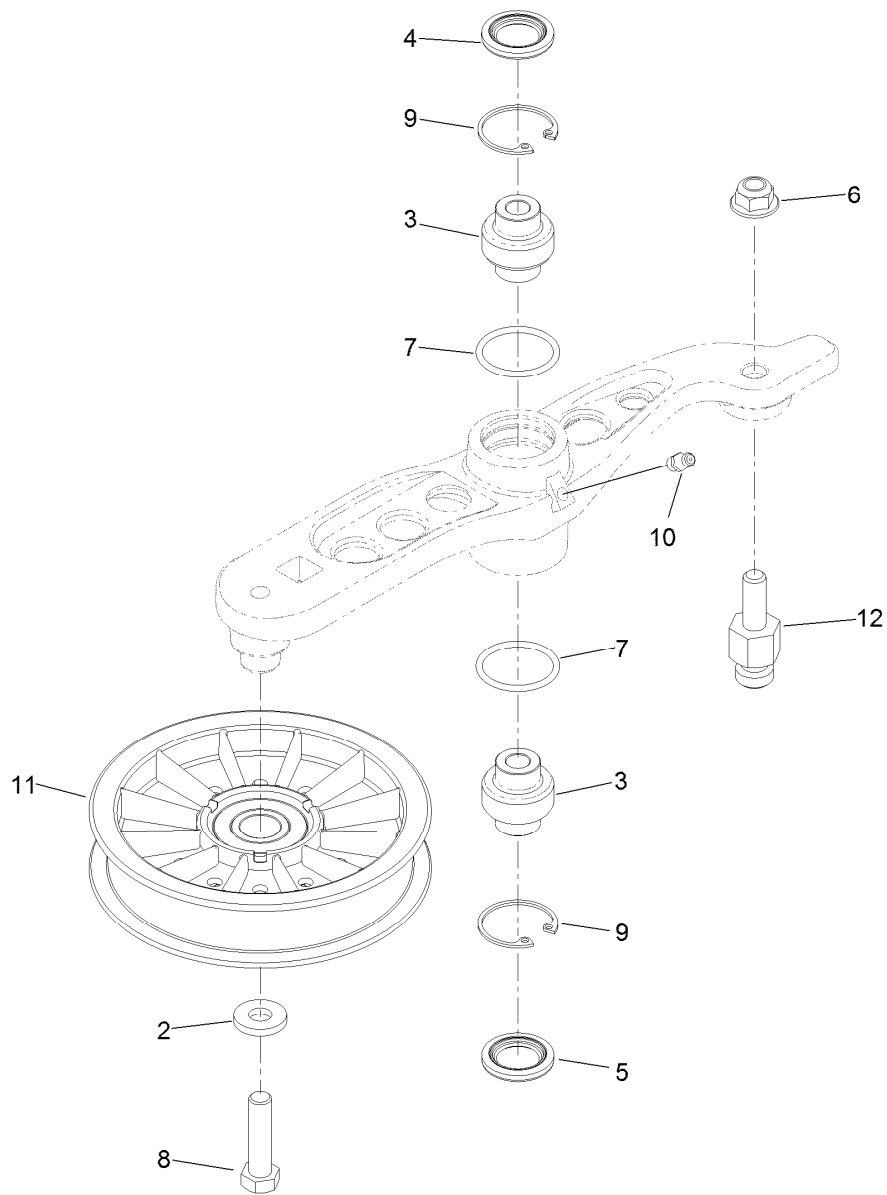
■ Use Pro-Lock, Nut Type (P/N 1-840022, .5ml tube) on threads.



Hydraulic Pump, Idler and Belt Assembly

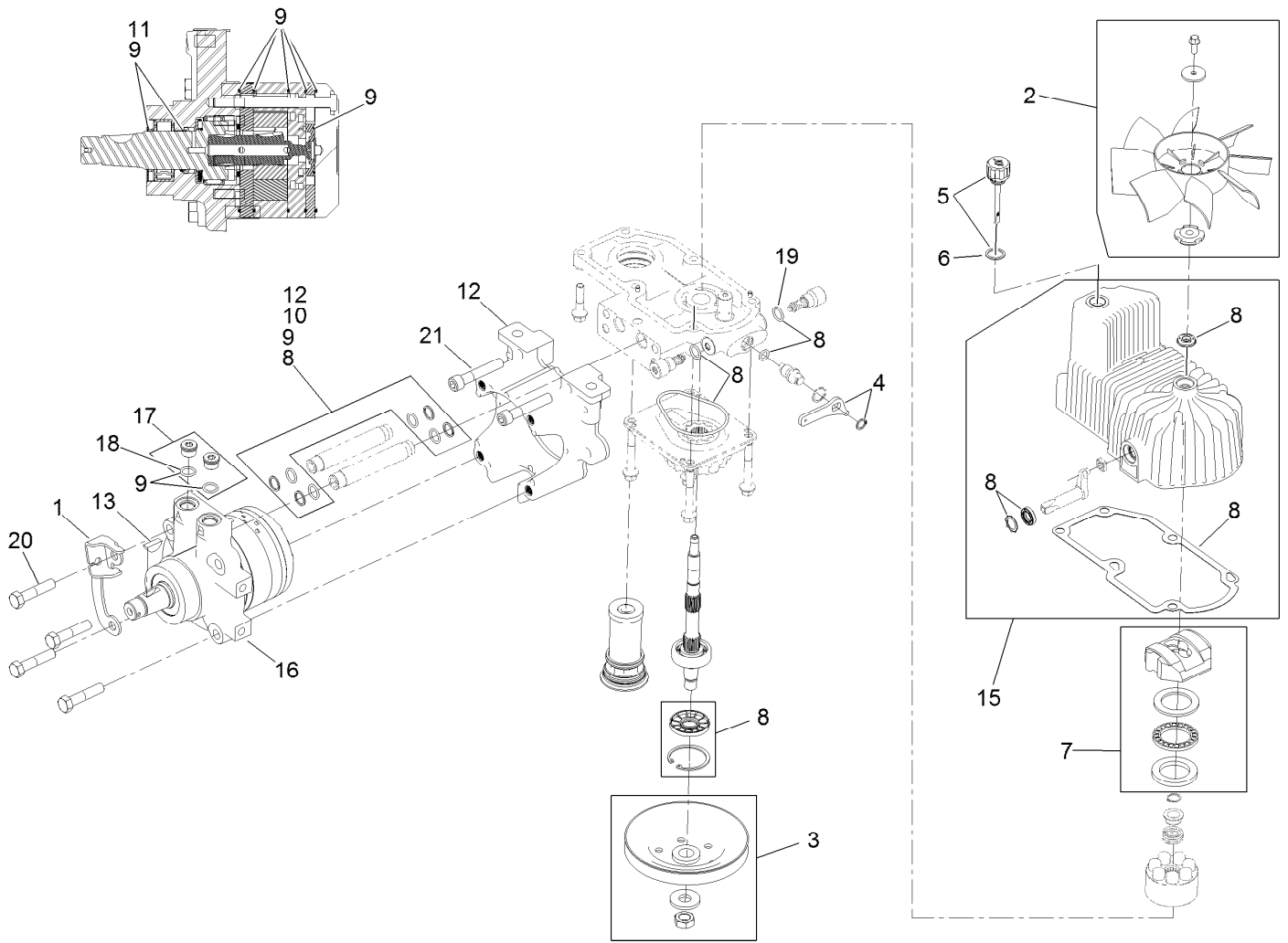
Ref.	Part Number	Qty.	Description
1	116-1255	1	Pump Idler ASM
2	109-6658	1	Nut-Flange, NI
3	116-6415	1	LH Hydro ASM (16Cc W/Shock)
4	109-3388	1	Belt
5	116-6317	1	Spring-Extension
6	109-9375	1	Cradle-Hydro
7	116-1502	1	Bolt-Shoulder, Carriage
8	3233-34	6	Screw-CARR
9	99-5107	6	Nut-Lock
10	325-8	4	Screw-HH
11	116-6416	1	RH Hydro ASM (16Cc W/Shock)
99	114-4713	1	Hypr-Oil 500 (Quart) ●
99	114-4714	1	Hypr-Oil 500 (Gallon) ●
99	114-4715	1	Hypr-Oil 500-5 (5 Gallon) ●
99	117-0390	1	Filter-Hydro

● Not illustrated



Pump Idler Assembly No. 116-1255

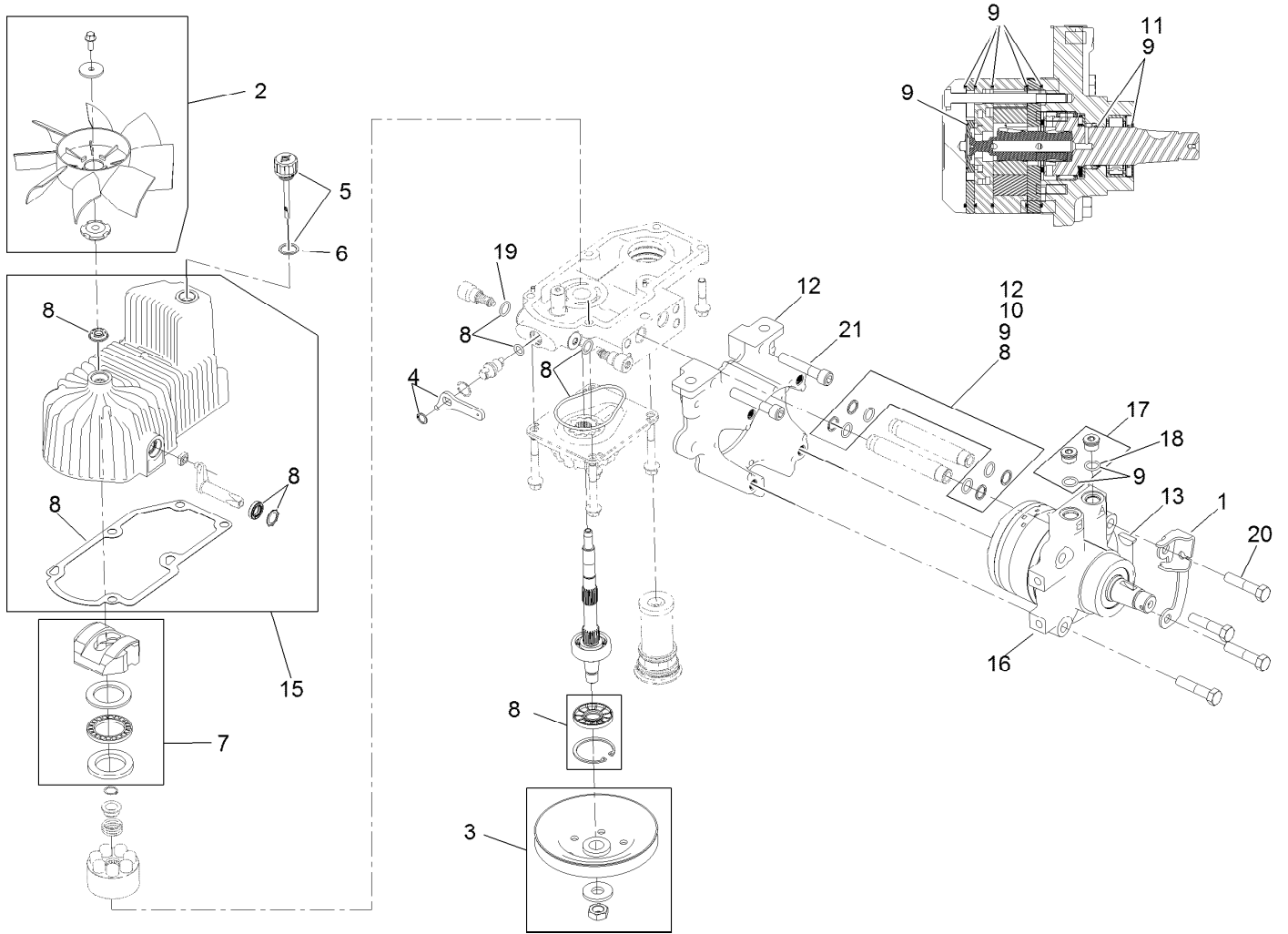
Ref.	Part Number	Qty.	Description
2	43-0940	1	Spacer
3	103-3504	2	Bearing-Spherical
4	103-3505	1	Seal-Double Lip
5	103-3506	1	Seal-Single Lip
6	109-6658	1	Nut-Flange, NI
7	106-7159	2	O-Ring
8	323-8	1	Screw-HH
9	32120-10	2	Ring-Snap
10	302-19	1	Fitting-Grease
11	109-8076	1	Pulley-Idler
12	116-3467	1	Pin-Spring, Anchor



LH Hydro Assembly No. 116-6415

Ref.	Part Number	Qty.	Description	Ref.	Part Number	Qty.	Description
1	116-6859	1	Bracket-Anchor, Cable	11	116-1371	1	Output Shaft Seal Kit
2	116-0233	1	Fan Kit	12	116-5469	1	Nose Cup-Uht
3	116-0234	1	Pulley Kit	13	3257-42	1	Key-Woodruff
4	116-0235	1	Handle-Bypass Valve, Hydro	15	116-3287	1	Housing-Hydro, LH
5	116-0236	1	Dipstick-Hydro W/Gasket	16	116-8917	1	Motor-Hydraulic LH 280Cc
6	116-0237	1	Gasket-Dipstick, Hydro	17	116-7901	1	Magnetic Plugs Service Kit
7	116-1367	1	Swash Block Kit	18	76-1900	2	O-Ring
8	116-1368	1	Pump Seal Kit	19	116-8662	2	O-Ring-Check Valve
9	116-1369	1	Motor Seal Kit	20	116-8974	4	Screw HH
10	116-1370	1	Tube Seal Kit	21	116-8975	2	Screw-HSH
				99	116-1373	1	Flow Test Kit ●

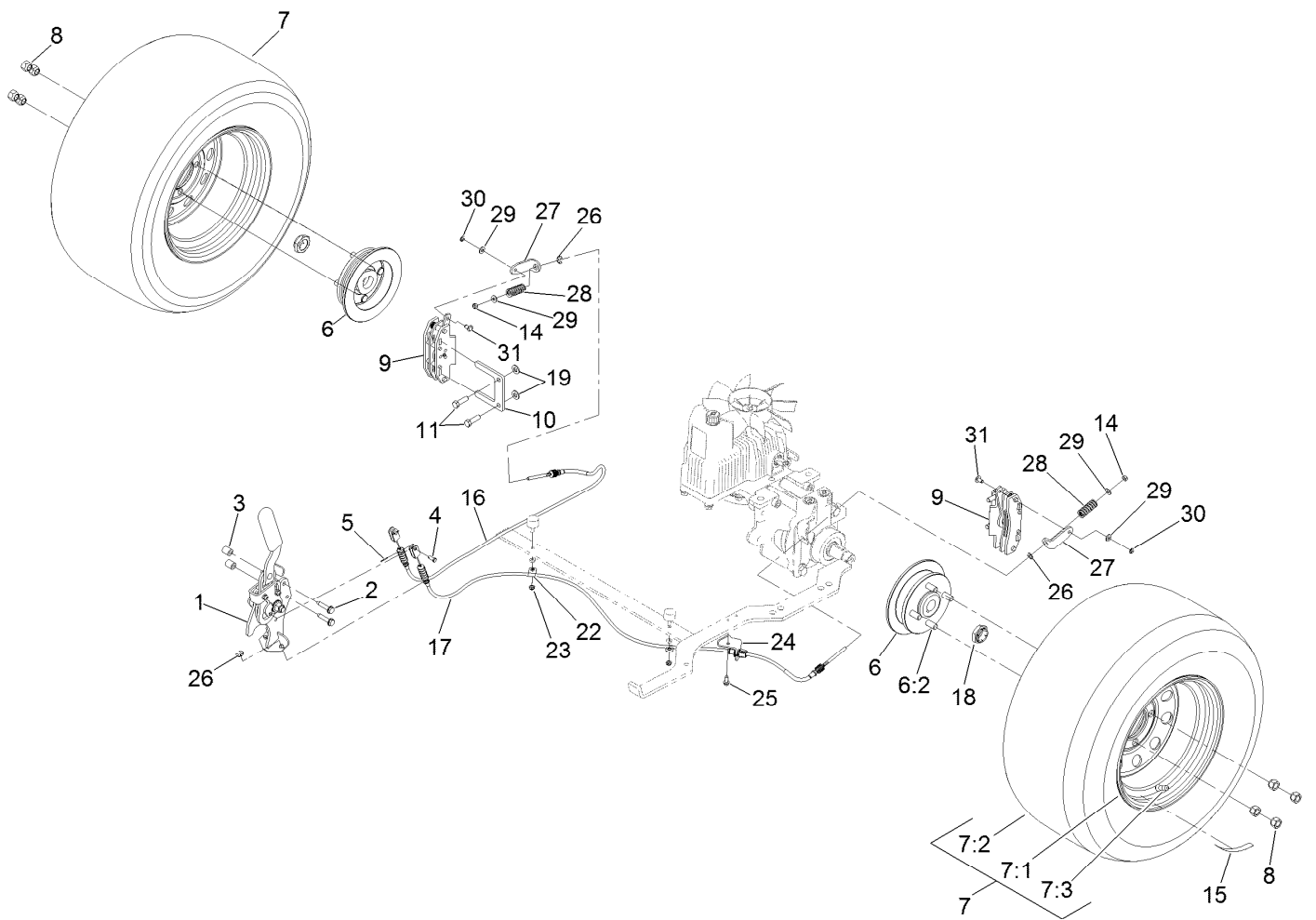
● Not illustrated



RH Hydro Assembly No. 116-6416

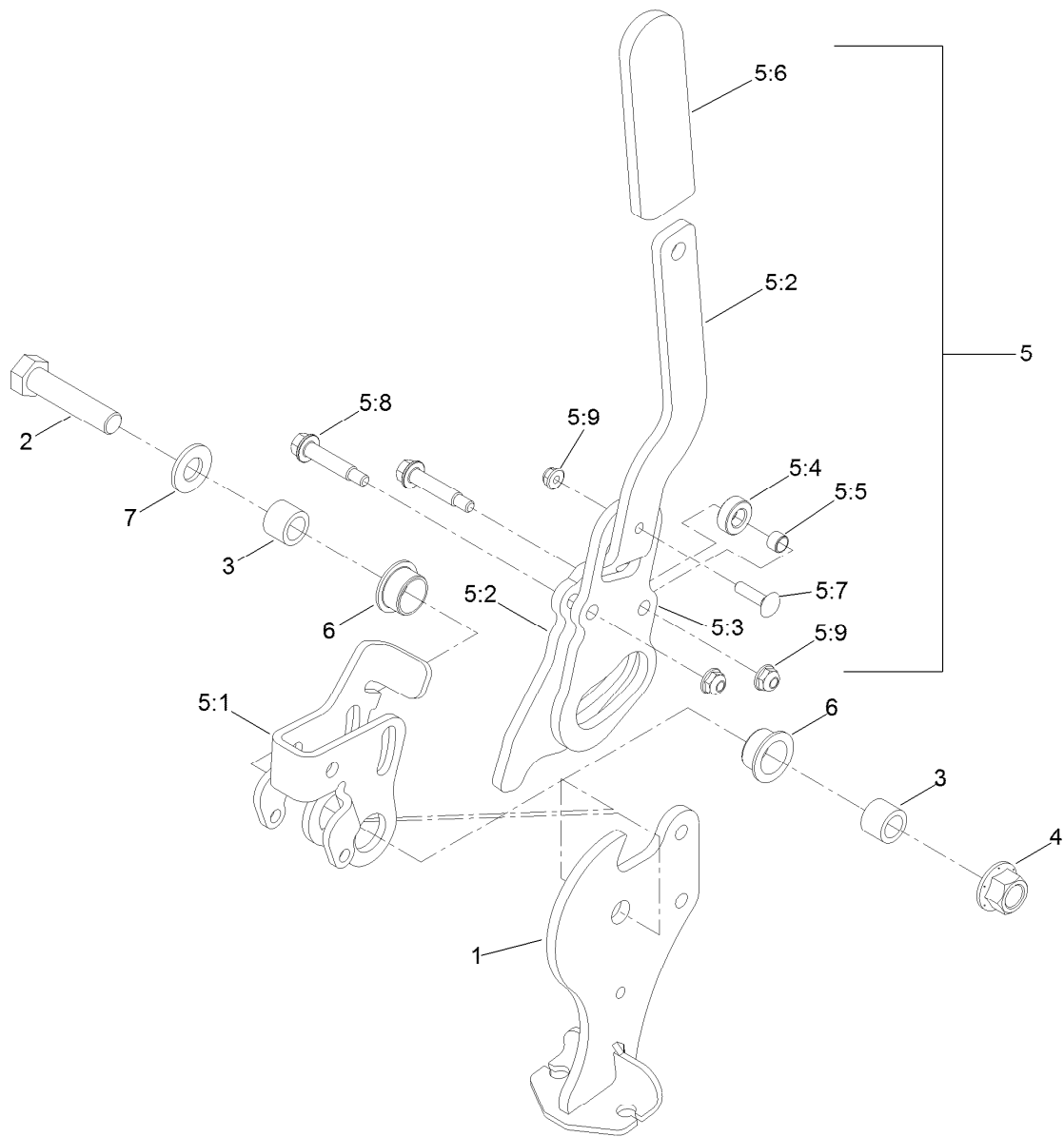
<i>Ref.</i>	<i>Part Number</i>	<i>Qty.</i>	<i>Description</i>	<i>Ref.</i>	<i>Part Number</i>	<i>Qty.</i>	<i>Description</i>
1	116-6859	1	Bracket-Anchor, Cable	11	116-1371	1	Output Shaft Seal Kit
2	116-0233	1	Fan Kit	12	116-5469	1	Nose Cup-Uht
3	116-0234	1	Pulley Kit	13	3257-42	1	Key-Woodruff
4	116-0235	1	Handle-Bypass Valve, Hydro	15	116-3288	1	Housing-Hydro, RH
5	116-0236	1	Dipstick-Hydro W/Gasket	16	116-8918	1	Motor-Hydraulic RH 280Cc
6	116-0237	1	Gasket-Dipstick, Hydro	17	116-7901	1	Magnetic Plugs Service Kit
7	116-1367	1	Swash Block Kit	18	76-1900	2	O-Ring
8	116-1368	1	Pump Seal Kit	19	116-8662	2	O-Ring-Check Valve
9	116-1369	1	Motor Seal Kit	20	116-8974	4	Screw HH
10	116-1370	1	Tube Seal Kit	21	116-8975	2	Screw-HSH
				99	116-1373	1	Flow Test Kit ●

● Not illustrated



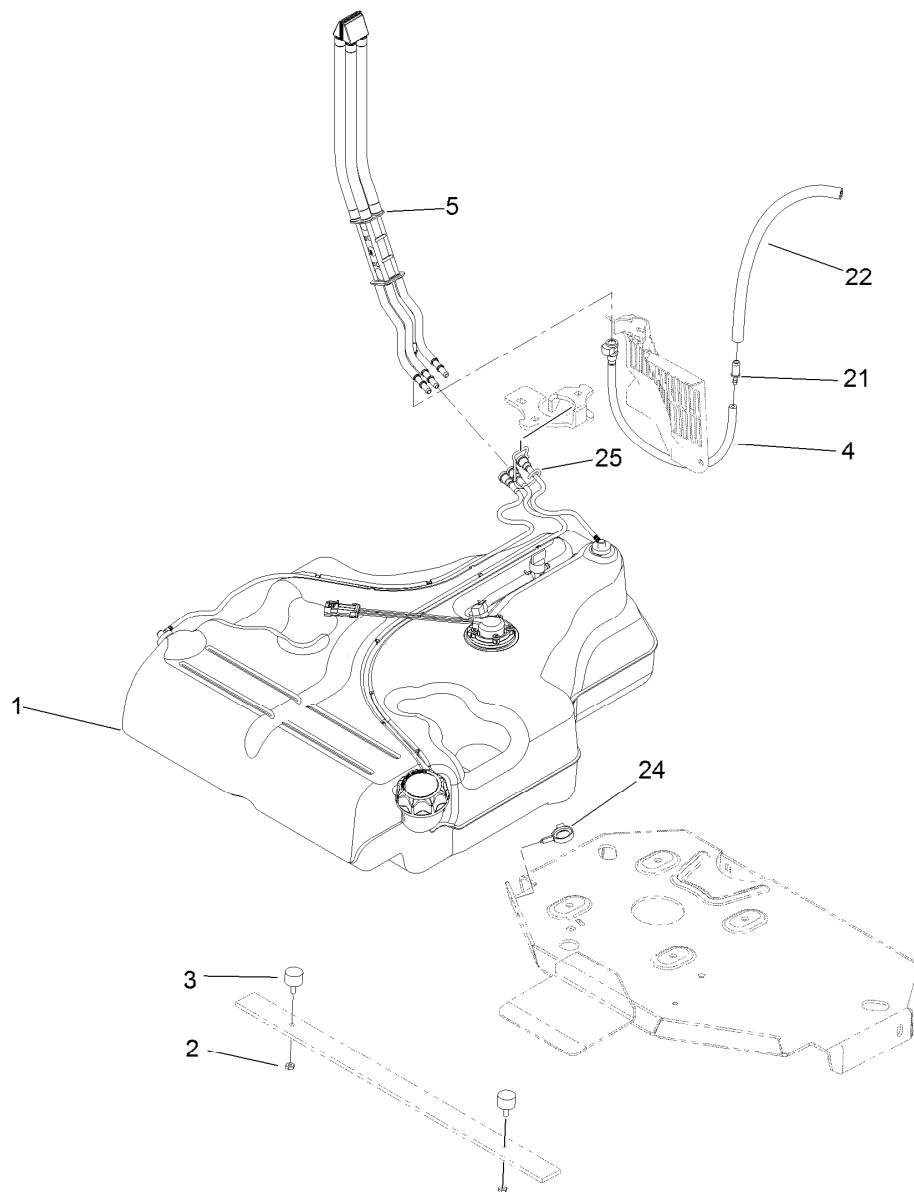
Rear Wheel and Park Brake Assembly

Ref.	Part Number	Qty.	Description	Ref.	Part Number	Qty.	Description
1	116-7551	1	Brake Handle ASM	15	116-2643	2	Decal-Wheel Nut Torque
2	32144-57	2	Screw	16	116-6364	1	Cable-Park Brake, RH
3	82-6840	2	Spacer	17	116-6365	1	Cable-Park Brake, LH
4	60-1730	2	Pin-Clevis	18	116-1399	2	Locknut
5	3272-1	2	Pin-Cotter	19	3256-24	4	Washer-Flat
6	116-1746	2	Wheel Hub ASM	22	88-7970	2	Clip
6:2	116-1696	4	Stud-Wheel	23	3296-56	2	Nut-Lock, NI
7	109-3248	2	Wheel And Tire ASM	24	116-6397	1	Bracket-Cable
7:1	109-2871	1	Rim ASM	25	32144-10	1	Screw-HWH
7:2	103-2744	1	Tire	26	32120-18	4	E-Ring
7:3	232-27	1	Stem-Valve	27	116-6182	2	Bracket-Brake, L
8	242-50	8	Nut-Lug	28	116-6347	2	Spring-Die
9	109-2889	2	Caliper-Brake	29	3256-22	4	Washer-Flat
10	109-0958	2	Plate-Mount, Brake	30	32151-86	2	E-Ring
11	92-5727	4	Screw-Lock, Patch	31	116-6348	2	Pin-Brake
14	3296-13	2	Nut-Lock, NI				



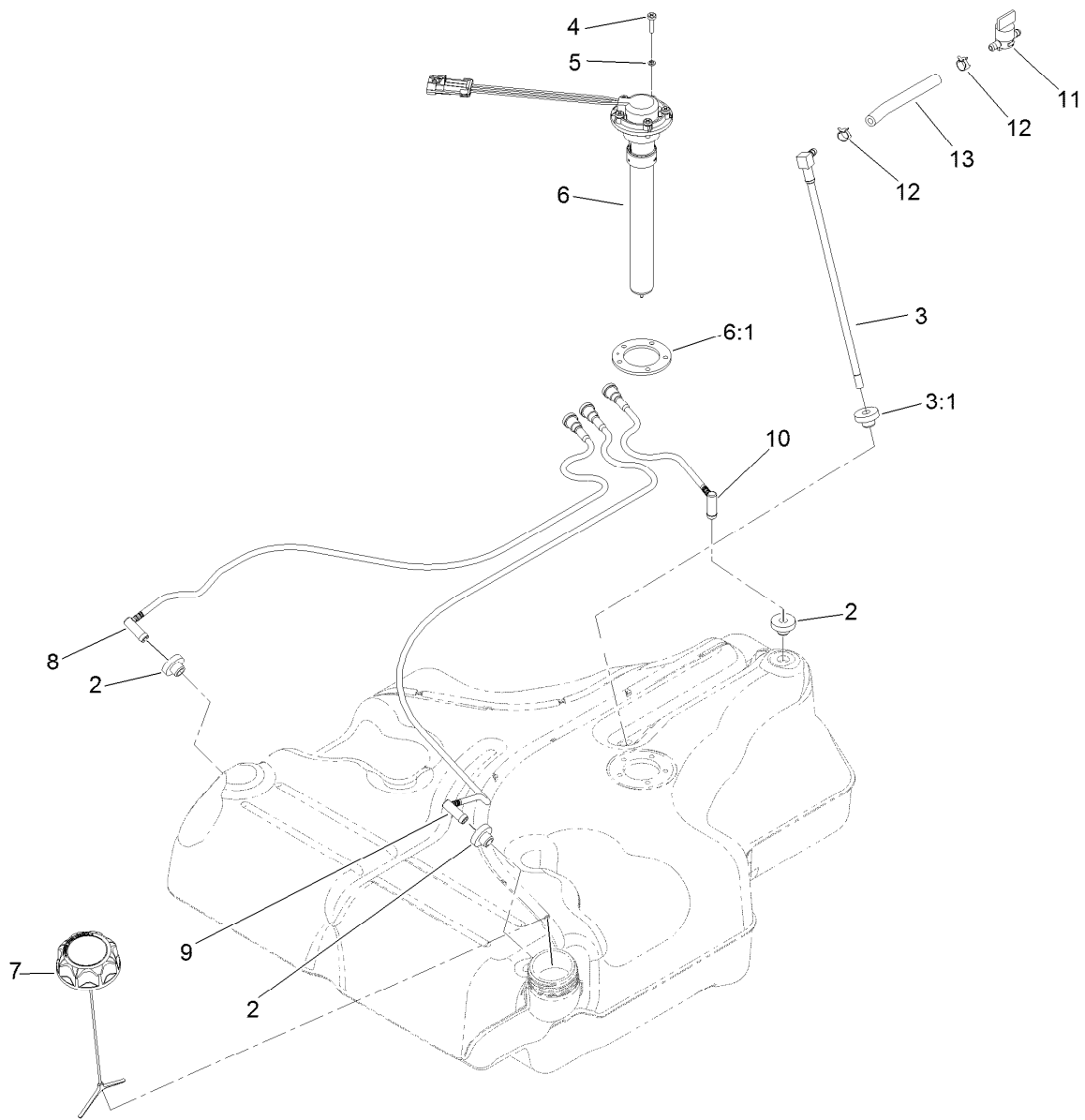
Parking Brake Handle Assembly No. 116-7551

<i>Ref.</i>	<i>Part Number</i>	<i>Qty.</i>	<i>Description</i>	<i>Ref.</i>	<i>Part Number</i>	<i>Qty.</i>	<i>Description</i>
1	116-7263	1	Brake Pivot ASM	5:4	116-6846	1	Roller-Brake
2	325-9	1	Screw-HH	5:5	116-6852	1	Bearing-Sleeve
3	116-5384	2	Spacer	5:6	1-633268	1	Grip-Lever
4	99-5107	1	Nut-Lock	5:7	3229-2	1	Screw-CARR
5	116-6860	1	Handle ASM	5:8	116-6876	2	Screw-Shoulder
5:1	116-6856	1	Bellcrank-Brake	5:9	104-7201	3	Nut-HF
5:2	116-6857	1	Handle-Brake	6	109-8054	2	Bushing-Flange
5:3	116-6858	1	Plate-Handle	7	3256-26	1	Washer-Flat



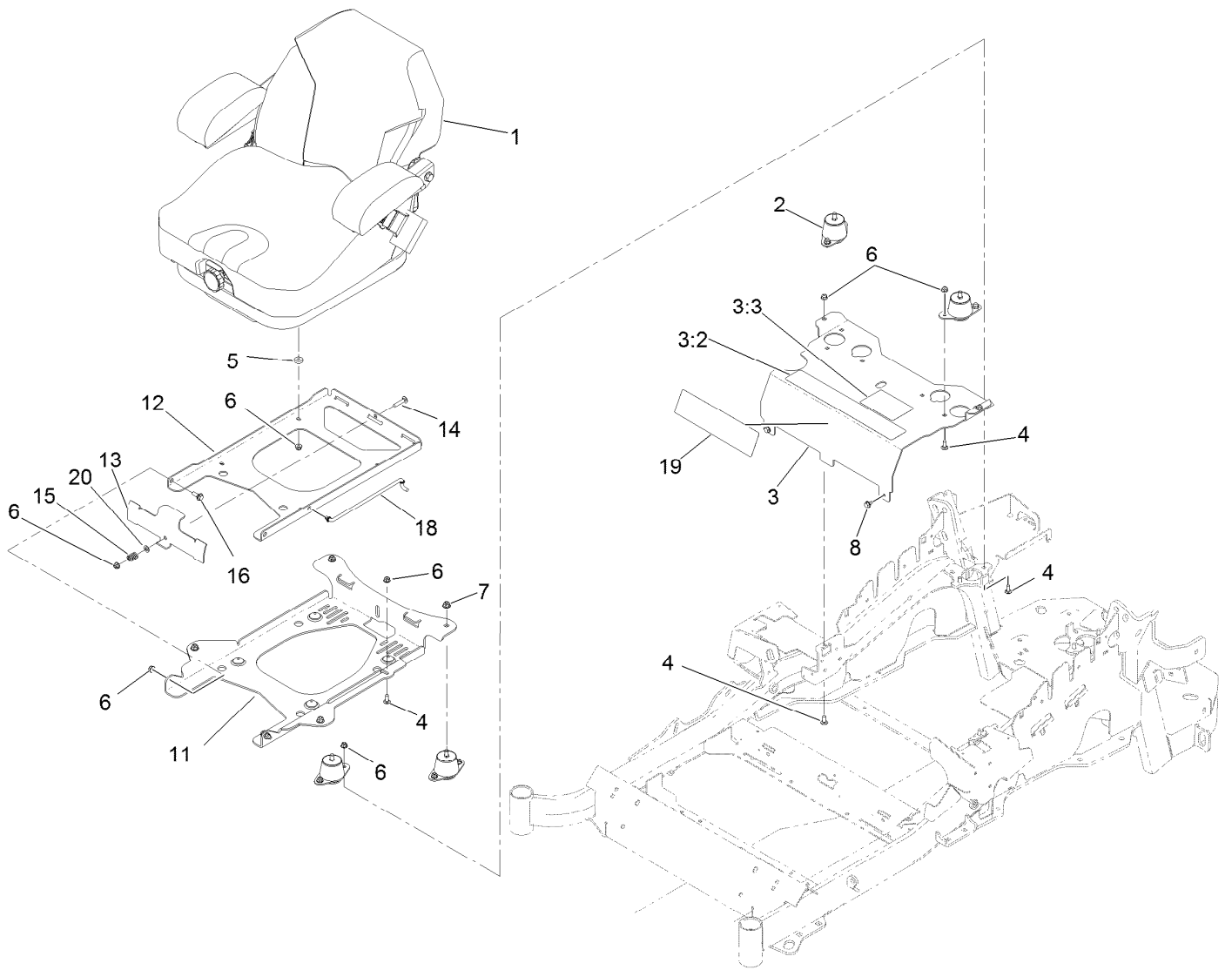
Fuel Tank Mounting Assembly

Ref.	Part Number	Qty.	Description
1	116-3979	1	Fuel Tank ASM
2	3218-1	2	Nut-Jam
3	116-6380	2	Bumper-Rubber (W/ Stud)
4	116-3977	1	Hose ASM
5	109-9491	1	Fuel Manifold Vent ASM
21	98-2952	1	Fitting-Straight
22	116-5087	1	Hose-Fuel
24	105-1853	1	Clamp-Hose
25	116-6005	1	Retainer-Vapor Line



Fuel Tank Assembly No. 116-3979

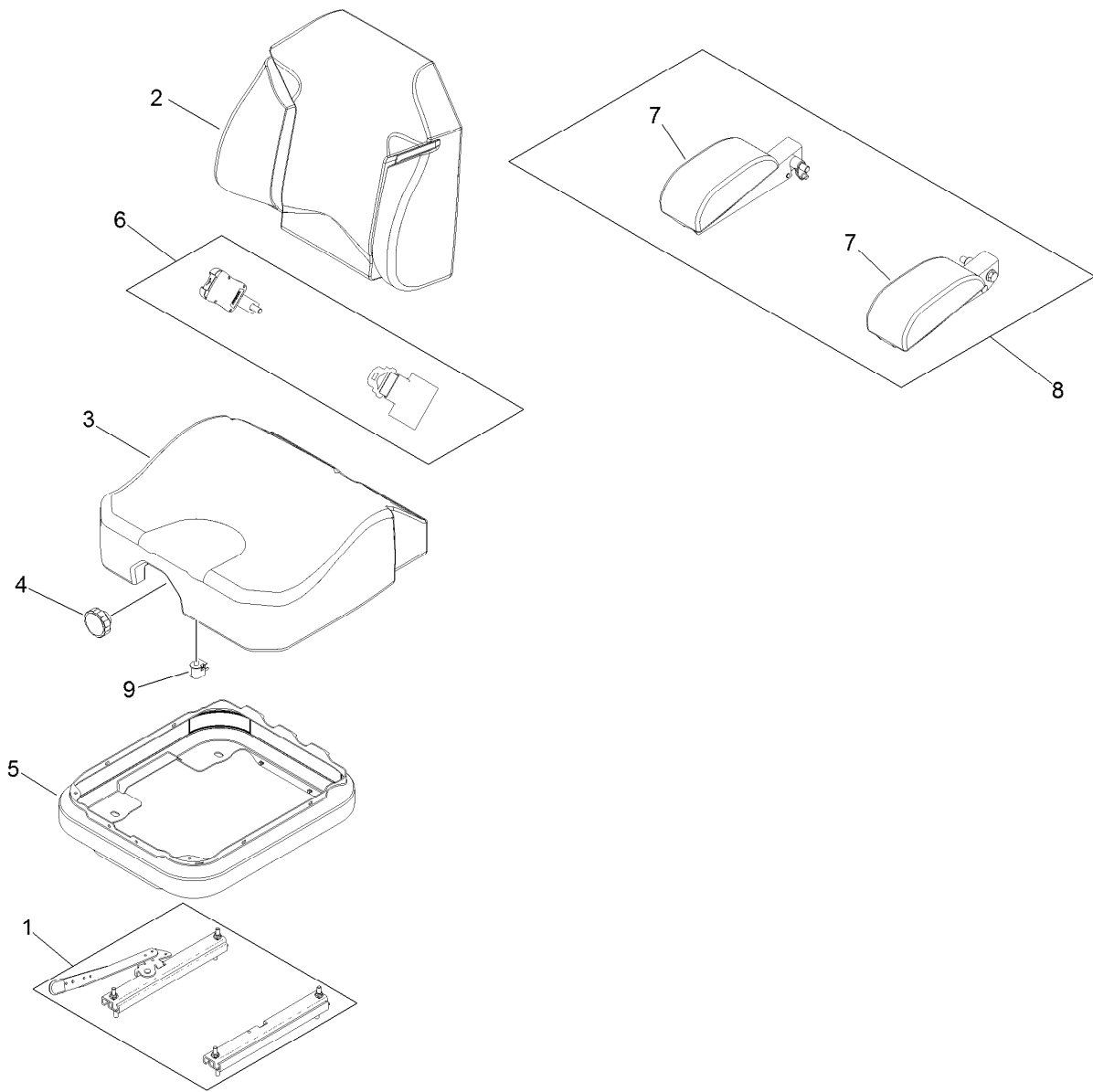
Ref.	Part Number	Qty.	Description
2	46-6560	4	Bushing
3	116-2459	1	Fuel Line Kit (With Grommet)
3:1	46-6560	1	Bushing
4	9107944	5	Screw-Pan
5	3253-17	5	Washer-Lock
6	116-0003	1	Sender-Fuel Level
6:1	109-9620	1	Gasket-Sender, Fuel
7	116-1704	1	Cap-Fuel, Ratcheting
8	116-2460	1	RH Vent Line Kit (With Grommet)
9	116-2461	1	LH Vent Line Kit (With Grommet)
10	116-2462	1	Rear Vent Line Kit (With Grommet)
11	1-603770	1	Valve-Fuel
12	2412-98	2	Clamp-Hose
13	109-0650	1	Hose-Fuel



Seat Mount Assembly

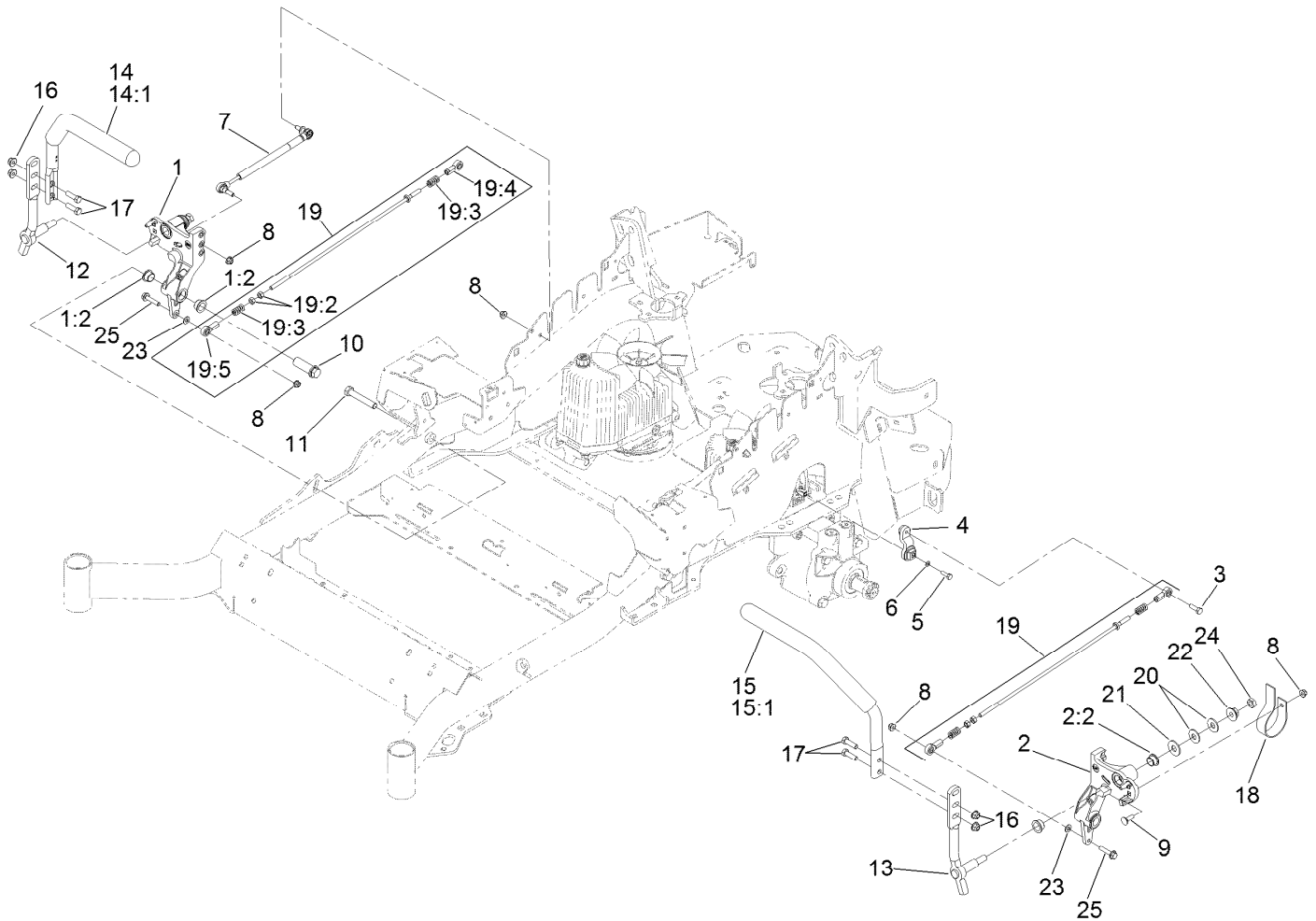
Ref.	Part Number	Qty.	Description
1	125-3107	1	Suspension Seat ASM
2	109-9034	4	Isolator-Seat
3	116-2323	1	Mount-Seat
3:2	109-7069	1	Decal-Console
3:3	116-0211	1	Decal-Service Aid
4	3230-23	11	Screw-CARR
5	26-4840	4	Spacer-Pin, Mounting
6	104-8300	18	Nut-Flange, NI
7	104-8301	4	Nut-Flange, NI
8	9266934	2	Screw

Ref.	Part Number	Qty.	Description
11	116-3860-03	1	Plate-Tilt, Seat Support
12	116-3859-03	1	Plate-Seat, Frame
13	109-9881-03	1	Plate-Latch, Seat
14	3230-4	1	Screw-CARR
15	107-3017	1	Spring-Compression
16	116-1297	2	Screw-Shoulder
18	116-0070	1	Rod-Prop
19	120-5893	1	Decal
20	3256-23	1	Washer-Flat



Seat Assembly No. 125-3107

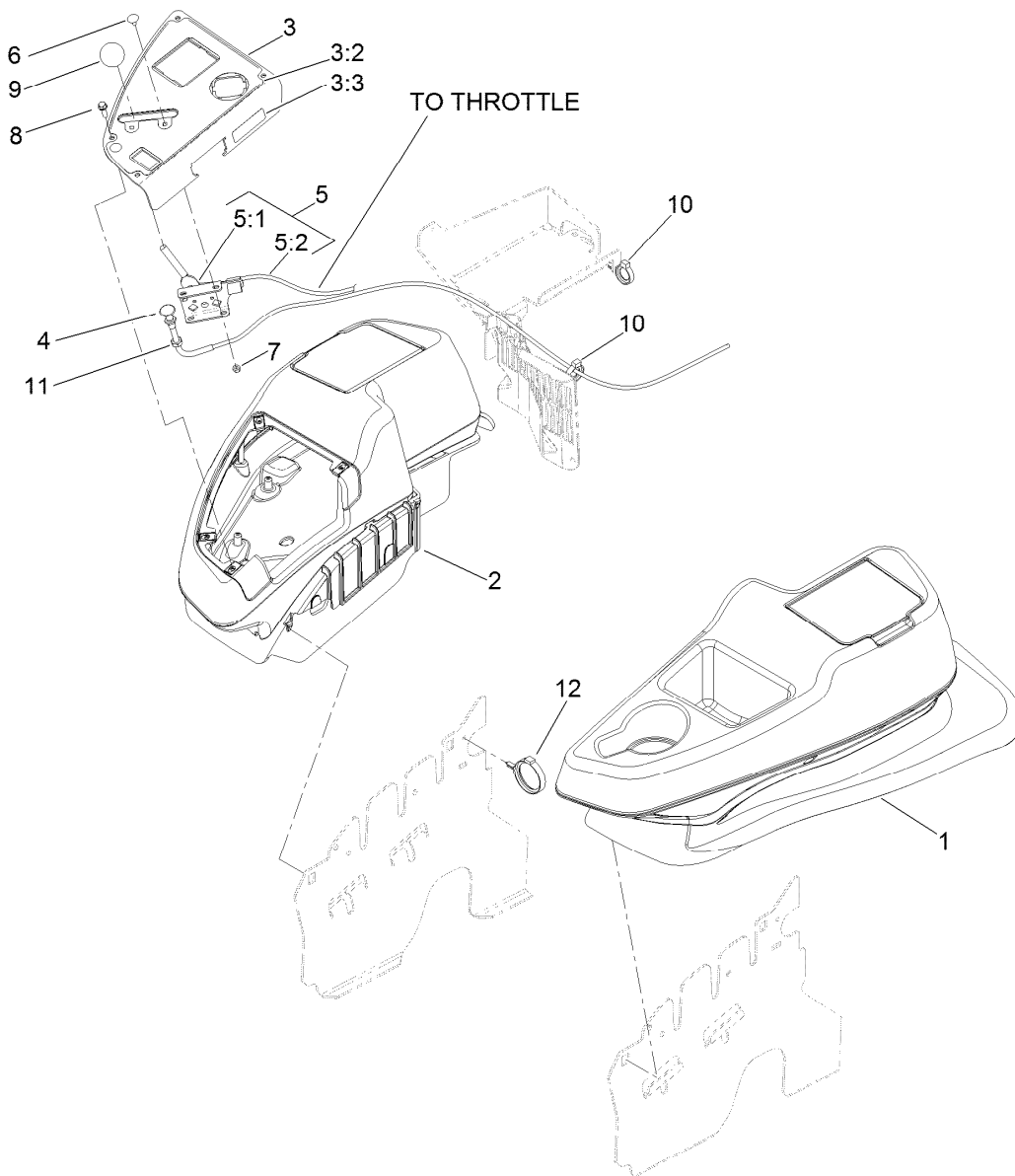
<i>Ref.</i>	<i>Part Number</i>	<i>Qty.</i>	<i>Description</i>
1	116-5655	1	Seat Track Set
2	125-3112	1	Cover-Back
3	125-3111	1	Cover-Cushion
4	116-5658	1	Knob-Adjuster
5	116-5659	1	Cover-Suspension Bellows
6	109-9805	1	Seat Belt Kit
7	125-3143	1	Arm Rest Pad Set
8	125-3144	1	Arm Rest Set
9	82-2190	1	Switch-Bail



Motion Control Assembly

Ref.	Part Number	Qty.	Description	Ref.	Part Number	Qty.	Description
1	116-0880	1	RH Motion Control And Bushing ASM	14	109-6589	1	RH Steering Handle ASM
1:2	109-8054	4	Bushing-Flange	14:1	109-5668	1	Grip-Control, Lever
2	116-0881	1	LH Motion Control And Bushing ASM	15	109-6590	1	LH Steering Handle ASM
2:2	109-8054	4	Bushing-Flange	15:1	109-5668	1	Grip-Control, Lever
3	116-0648	2	Screw-HH, Thread Locking ●	16	104-8301	4	Nut-Flange, NI
4	109-4581	2	Arm-Control, Pump	17	323-7	4	Screw-HH
5	9080046	2	Screw-HH ●	18	109-5575	2	Spring-Leaf
6	1-303435	2	Washer-Spring	19	109-8106	2	Front Pump Linkage ASM
7	116-0027	2	Damper-Control, Motion	19:2	3219-2	2	Nut-Hex
8	104-8300	8	Nut-Flange, NI	19:3	1-323245	2	Spring-Compression
9	3230-2	2	Bolt-CARR	19:4	1-633152	1	Balljoint-LH
10	109-5891	2	Hub-Threaded	19:5	1-543017	1	Balljoint-RH
11	325-12	2	Screw-HH	20	109-9505	4	Washer-Spring
12	116-0039	1	Lever-Control Motion, RH	21	3256-6	2	Washer-Flat
13	116-0040	1	Lever-Control Motion, LH	22	32128-56	2	Nut-HF
				23	3256-23	2	Washer-Flat
				24	3218-5	2	Nut-Jam
				25	115-1794	2	Screw-HHF

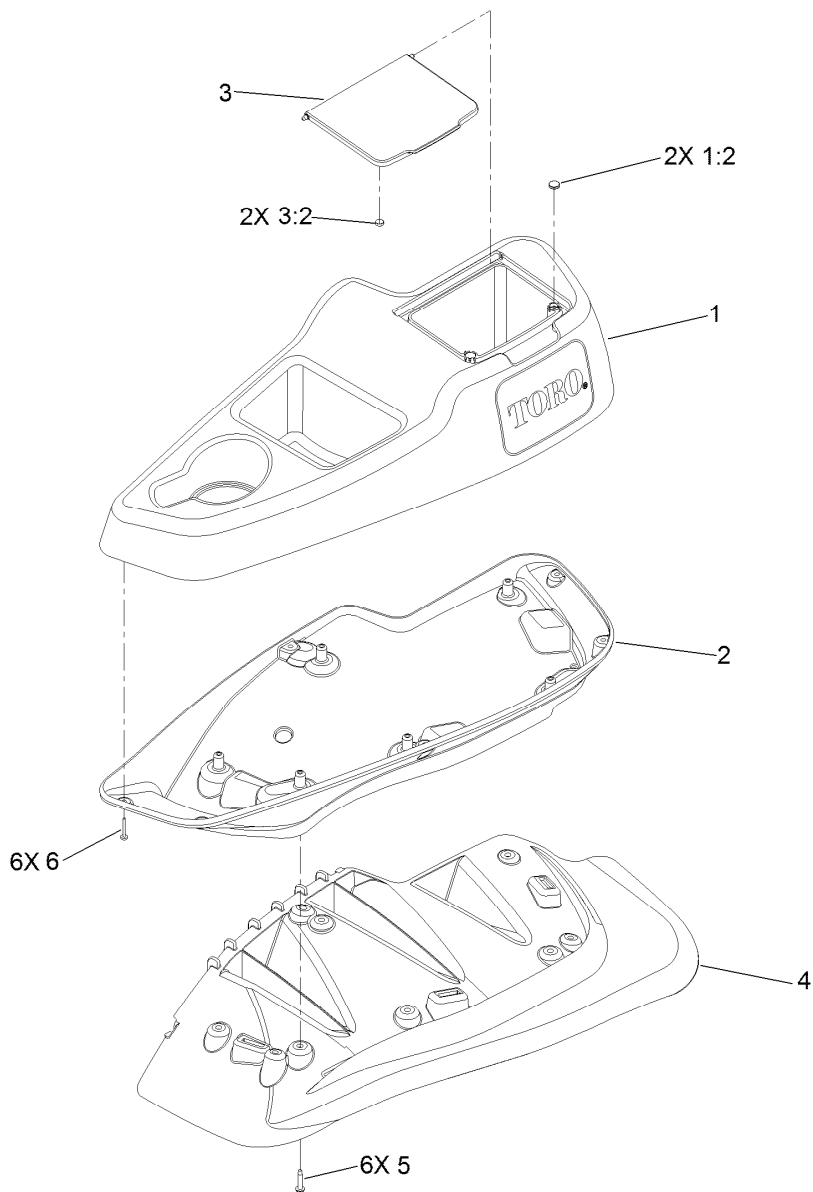
● Use Pro-Lock, Nut Type (P/N 1-840022, .5ml tube) on threads.



Fender, Console and Control Assembly

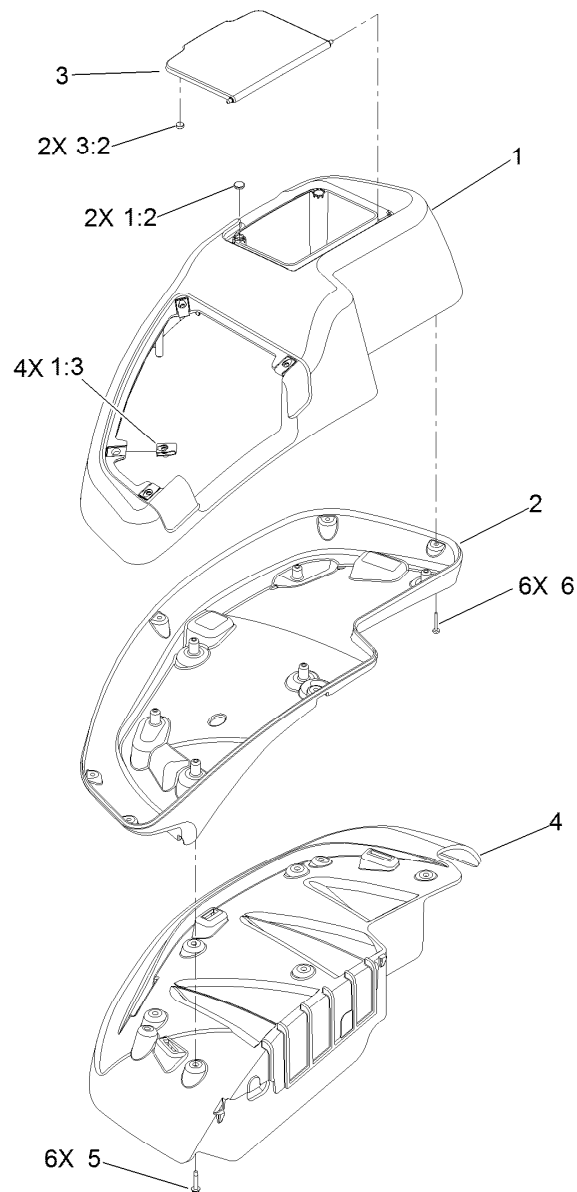
Ref.	Part Number	Qty.	Description
1	115-7401	1	LH Wide Fender/Console ASM
2	115-7400	1	RH Wide Fender/Console ASM
3	114-9836	1	Control Panel ASM
3:2	120-5897	1	Decal-Control Panel
3:3	114-4466	1	Decal-Fuses
4	115-2753	1	Choke Control ASM
5	110-5727	1	Throttle Control ASM

Ref.	Part Number	Qty.	Description
5:1	112-2334	1	Lever-Throttle
5:2	110-5728	1	Cable-Throttle
6	1-807513	2	Bolt-CARR
7	3296-2	2	Nut-Lock, NI
8	32105-15	4	Screw
9	1-603175	1	Knob-Ball
10	105-1853	1	Clamp-Hose
11	3220-3	1	Nut-HJ
12	117-7817	1	Clamp-Harness



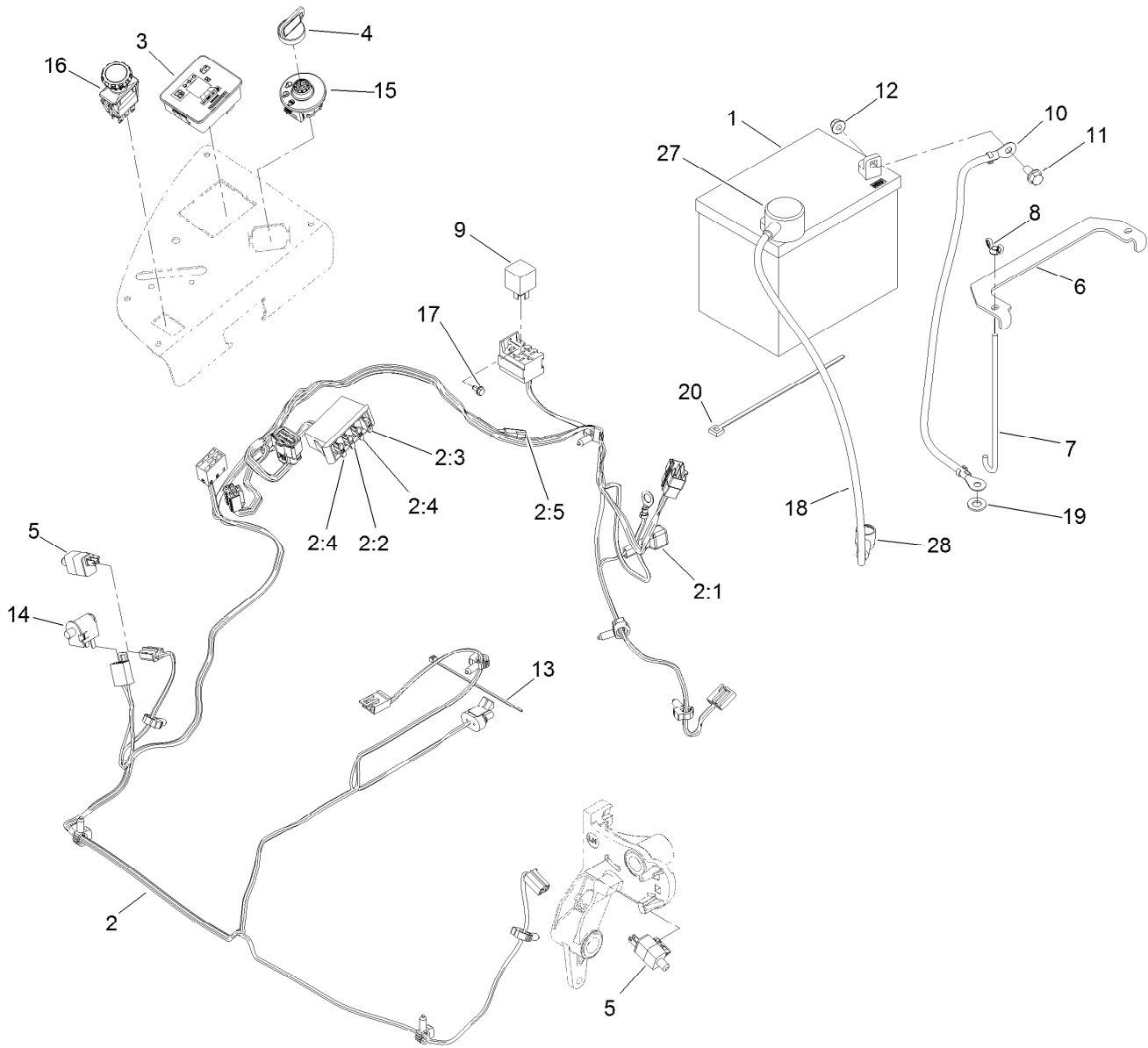
LH Console Assembly No. 115-7401

Ref.	Part Number	Qty.	Description
1	114-1539	1	LH Wide Console Top ASM
1:2	117-0883	2	Puck
2	115-3641	1	Console-Lower, LH Wide
3	114-1537	1	Wide Lid ASM
3:2	114-5896	2	Magnet
4	109-9085	1	Fender-Wide, LH
5	32144-89	6	Screw-Thread Forming
6	117-0347	6	Screw-Fillister Head



RH Console Assembly No. 115-7400

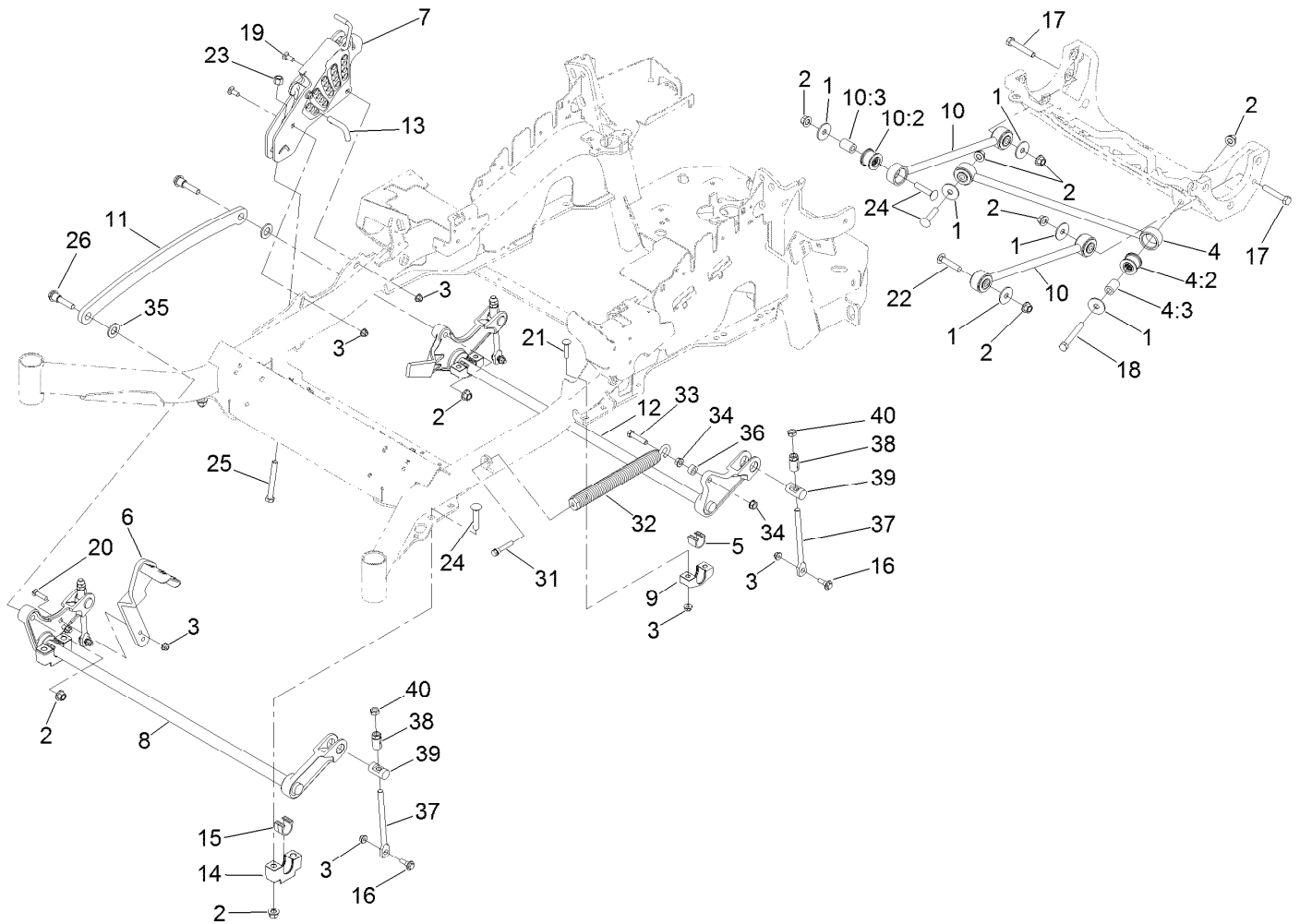
<i>Ref.</i>	<i>Part Number</i>	<i>Qty.</i>	<i>Description</i>
1	114-1538	1	RH Wide Top Console ASM
1:2	117-0883	2	Puck
1:3	107069	4	Clip
2	115-3643	1	Console-Lower, RH Wide
3	114-1537	1	Wide Lid ASM
3:2	114-5896	2	Magnet
4	109-9083	1	Fender-Wide, RH
5	32144-89	6	Screw-Thread Forming
6	117-0347	6	Screw-Fillister Head



Electrical Assembly

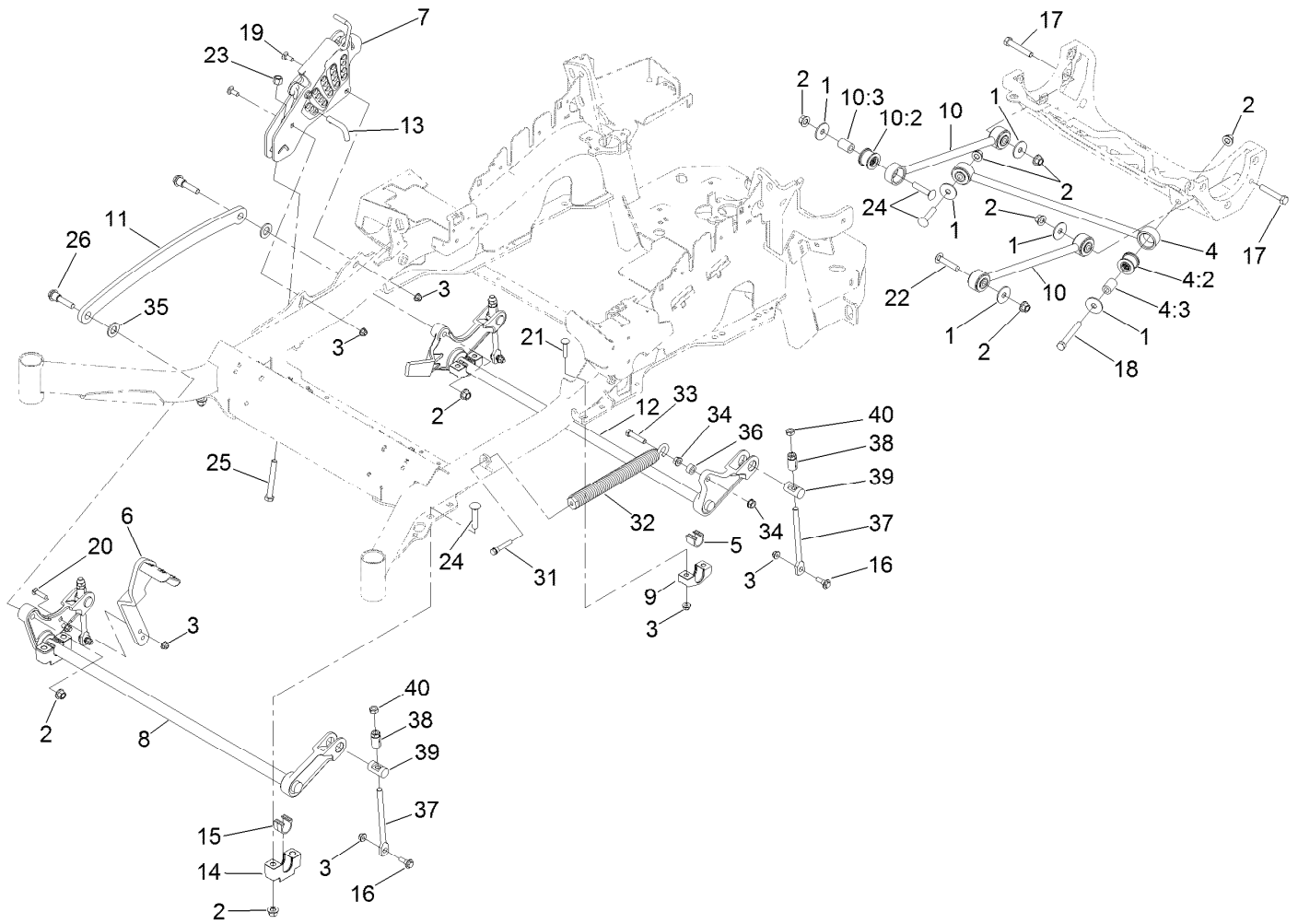
Ref.	Part Number	Qty.	Description	Ref.	Part Number	Qty.	Description
1	104-8162	1	Battery	10	114-1218	1	Cable-Battery, Negative
2	116-6009	1	Harness-Wire, Main ●	11	3234-5	2	Screw-HHF
2:1	103-3895	1	Diode-Tvs	12	104-8300	2	Nut-Flange, NI
2:2	218-578	1	Fuse-Blade, 10 Amp	13	1-303287	3	Tie-Cable
2:3	109355	1	Fuse-Blade, 15 Amp	14	82-2190	1	Switch-Bail
2:4	109102	2	Fuse-Blade, 25 Amp	15	117-2221	1	Switch-Ignition
2:5	116-0053	1	Cap-Plug	16	116-0124	1	Switch-PTO, 10A
3	117-3882	1	Fuel/Hour Meter ASM	17	104-2065	1	Screw-HWH
4	63-8360	1	Key-Ignition (W/Shield)	18	115-3864	1	Cable-Battery, Positive
5	110-6765	2	Switch-Single Pole No	19	3256-24	1	Washer-Flat
6	116-0042-03	1	Strap-Tie Down, Battery	20	1-303335	1	Tie-Plastic
7	1-633651	2	Bolt-Holddown	27	109-2407	1	Insulator-Battery
8	1-543792	2	Wingnut	28	1-543393	1	Insulator-Solenoid
9	1-643275	1	Relay				

● Use dielectric grease on all unsealed connectors and terminals only. Do not apply in sealed connectors.



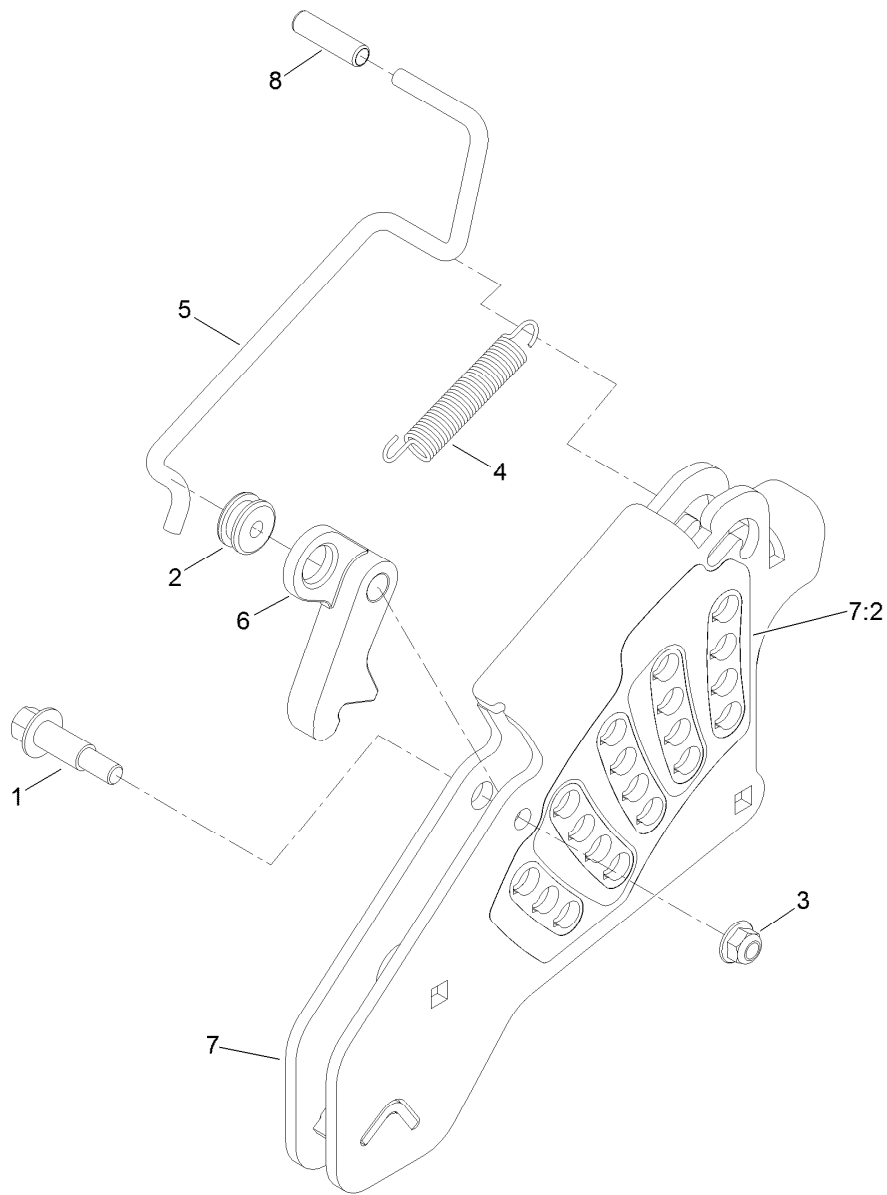
Deck Lift Assembly

Ref.	Part Number	Qty.	Description	Ref.	Part Number	Qty.	Description
1	86-1990	6	Washer	14	109-9409	2	Support-Cross Shaft, Front Bearing
2	99-5107	12	Nut-Lock	15	109-9410	2	Bearing-Cross Shaft, Front
3	104-8301	12	Nut-Flange, NI	16	109-9840	4	Screw-Shoulder, HHF
4	109-5013	1	Panhard Rod ASM	17	325-12	2	Screw-HH
4:2	109-5009	2	Bushing-Suspension, Rubber	18	325-17	1	Screw-HH
4:3	109-5010	2	Spacer	19	3231-2	2	Bolt-CARR
5	109-7173	2	Bearing-Cross Shaft, Rear	20	3231-4	2	Screw-CARR
6	116-1919-01	1	Lever-Foot	21	3231-5	4	Screw-CARR
7	109-7438	1	HOC ASM	22	3233-34	3	Screw-CARR
8	116-1771-03	1	Deck Lift-Front	23	3296-23	1	Nut-Lock, NI
9	116-0818-03	2	Support-Cross Shaft, Rear Bearing	24	116-1700	4	Bolt-CARR
10	109-7952	2	Deck Strut ASM	25	116-0559	1	Bolt-TAP
10:2	109-5009	2	Bushing-Suspension, Rubber	26	116-2022	2	Screw-HHF, Shoulder
10:3	109-5010	2	Spacer	31	92-7674	1	Bolt-Shoulder
11	116-0797-03	1	Link-Lift, Deck	32	116-0000	1	Extension Spring ASM
12	116-2645-03	1	Lift-Deck, Rear	33	109-9065	1	Screw-HH
13	116-5584	1	Pin-HOC	34	32128-37	2	Nut-HF
				35	3256-28	2	Washer-Flat
				36	116-2695	1	Spacer
				37	109-8007	4	Link-Adjuster, Deck Lift



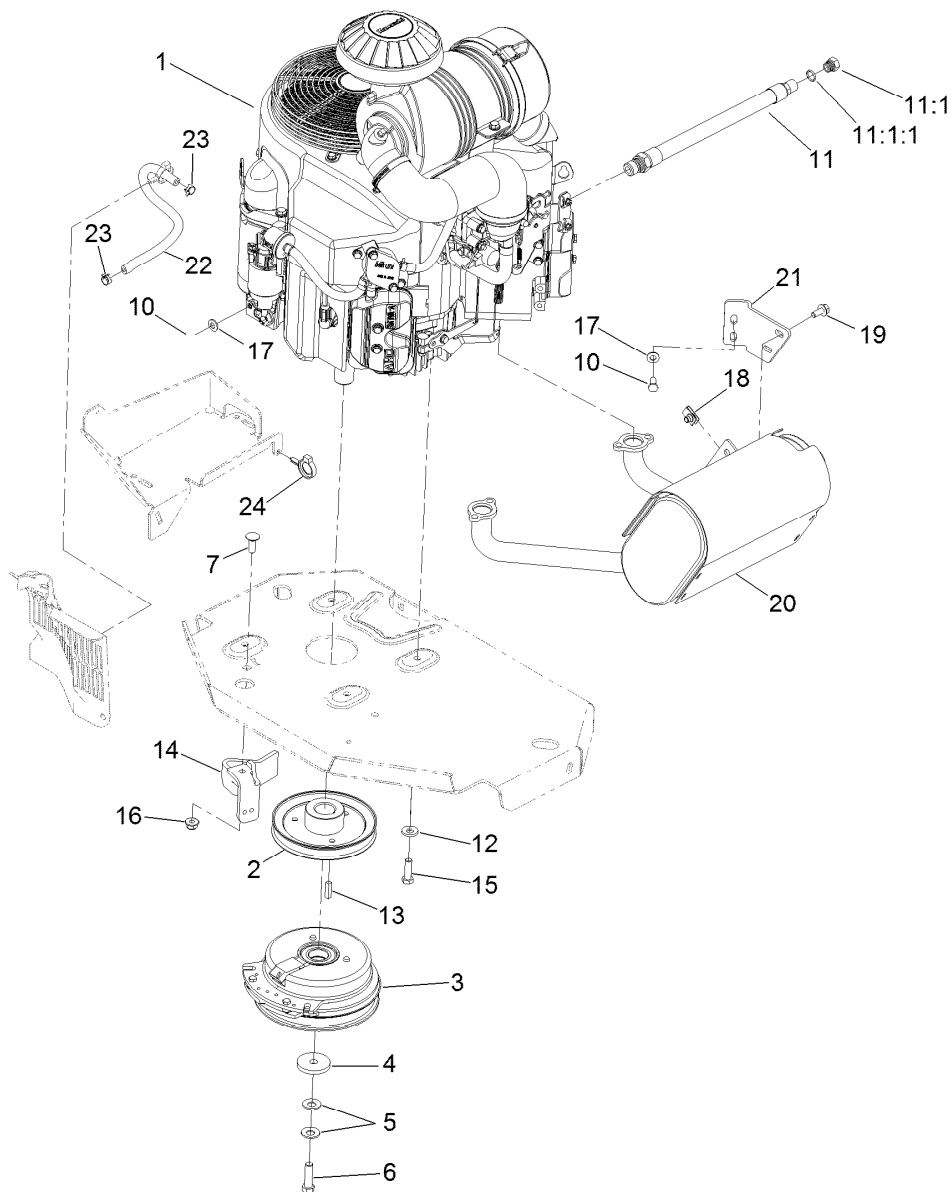
Deck Lift Assembly (continued)

<i>Ref.</i>	<i>Part Number</i>	<i>Qty.</i>	<i>Description</i>	<i>Ref.</i>	<i>Part Number</i>	<i>Qty.</i>	<i>Description</i>
38	109-7840	4	Adjuster-Lift, Deck	39	109-8353	4	Trunnion
				40	3218-5	4	Nut-Jam



Height-of-Cut Assembly No. 109-7438

<i>Ref.</i>	<i>Part Number</i>	<i>Qty.</i>	<i>Description</i>
1	62-1330	1	Bolt-Shoulder
2	109-7130	1	Grommet
3	104-8301	1	Nut-Flange, NI
4	109-7124	1	Spring-Extension
5	109-7128	1	Rod-Lock, Transport
6	116-0118	1	Pawl-Transport, HOC
7	109-7335	1	HOC Plate ASM
7:2	116-0752	1	Decal-HOC
8	109-8250	1	Grip-Lever



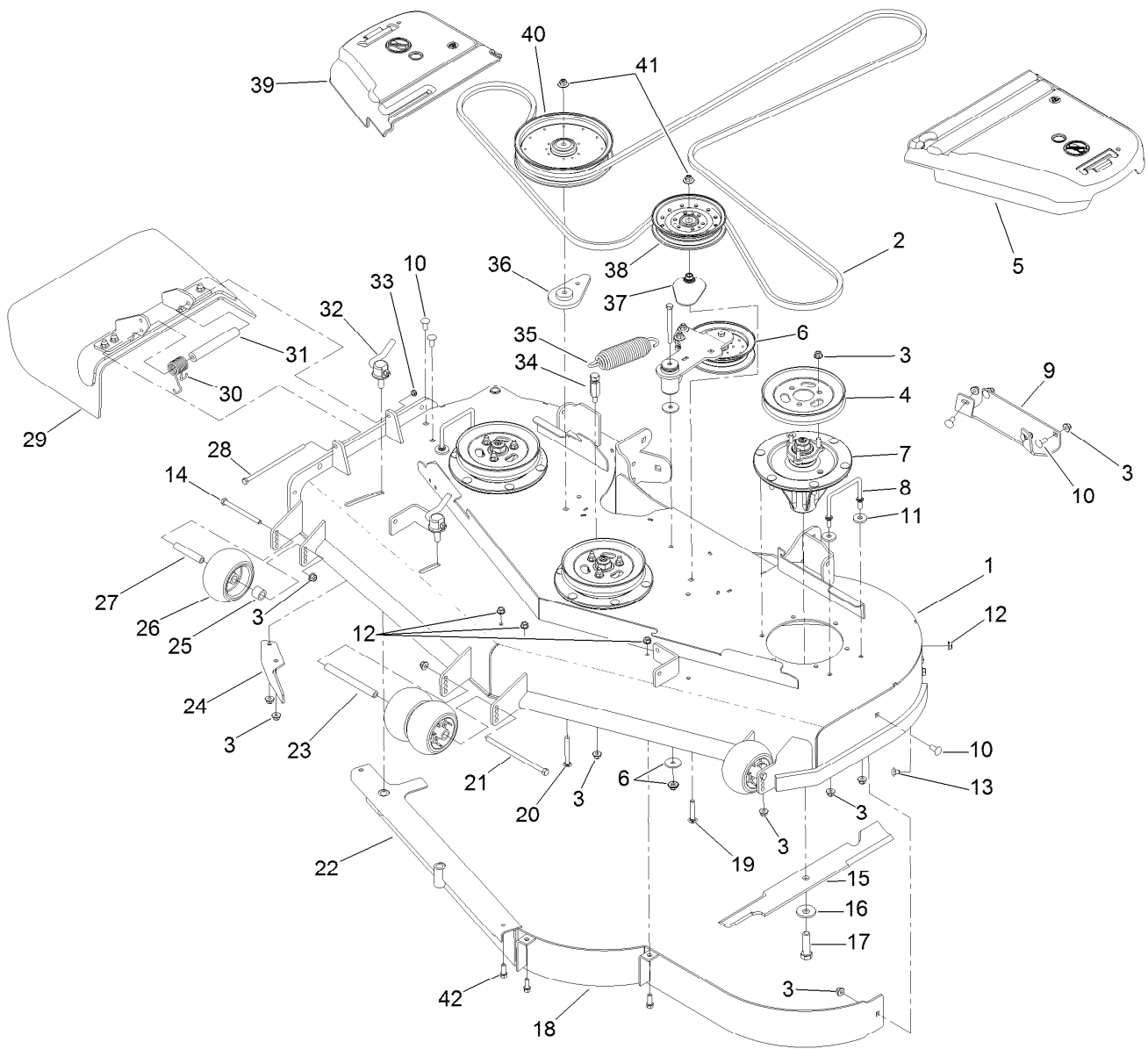
Engine, Muffler and Clutch Assembly

Ref.	Part Number	Qty.	Description	Ref.	Part Number	Qty.	Description
1		1	Engine-Kawasaki, Fx801V-S04-R ●■	13	1-807259	1	Key
2	109-9905	1	Sheave	14	116-2612-01	1	Clutch-Anchor
3	116-1620	1	Clutch Kit	15	323-7	4	Screw-HH
4	109-6919	1	Washer-Clutch	16	104-8301	1	Nut-Flange, NI
5	1-603610	2	Washer-Spring	17	1-303334	3	Washer-Spring
6	109-9761	1	Screw-HH, W/Loctite ▲	18	94-2413	2	U-Nut
7	3231-22	1	Screw-CARR	19	3234-5	2	Screw-HHF
10	33114-020	3	Screw-HH	20	116-1712	1	Muffler
11	116-4924	1	Engine Oil Drain Hose ASM	21	116-0203	1	Bracket-Muffler
11:1	353-508	1	Plug-HH	22	109-0296	1	Hose-Fuel
11:1:1	237-42	1	O-Ring	23	2412-98	2	Clamp-Hose
12	98-5975	4	Washer-Belleville	24	105-1853	1	Clamp-Hose

● Not serviced separately

▲ Use Pro-Lock, Nut Type (P/N 1-840022, .5ml tube) on threads.

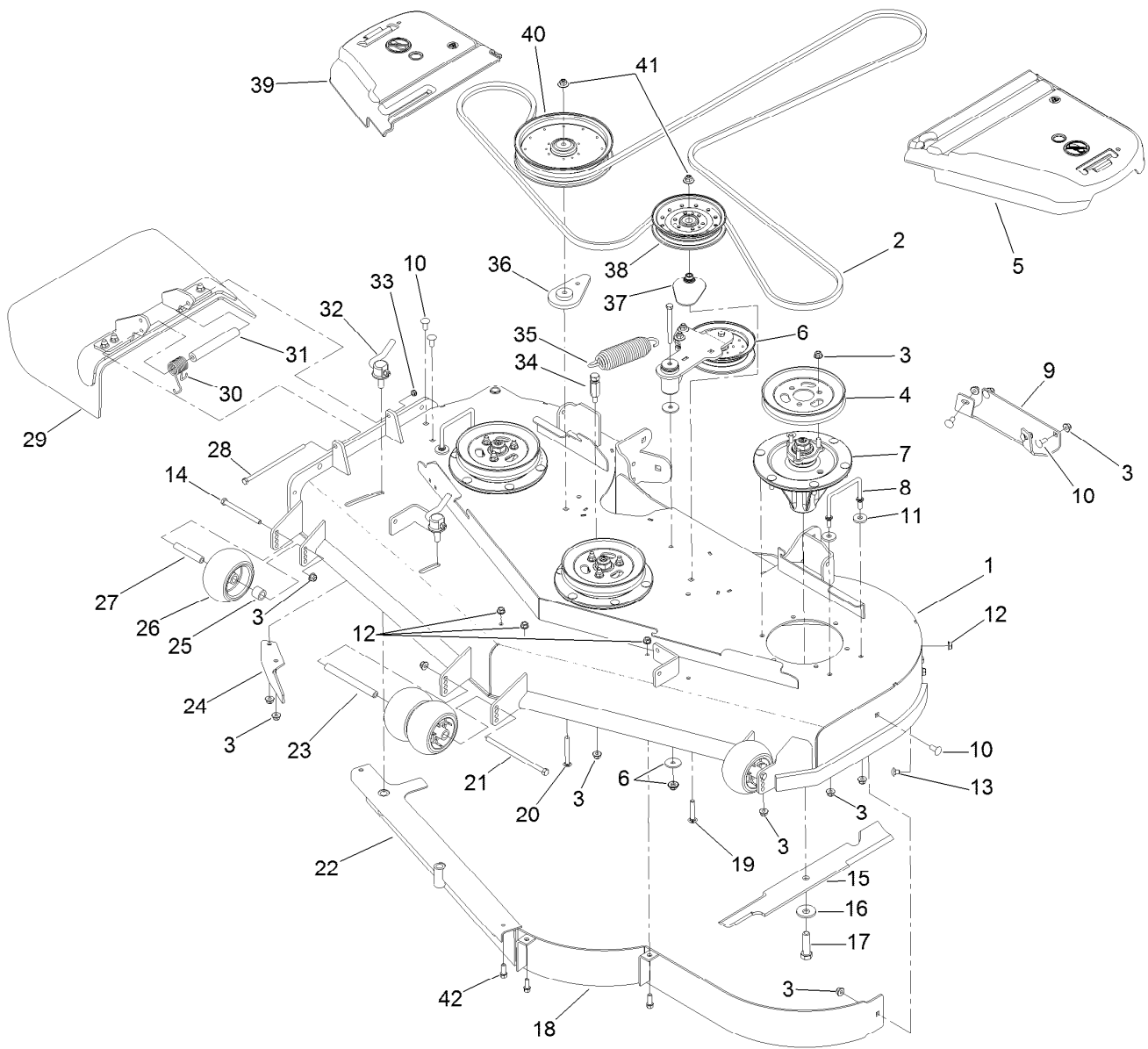
■ Obtain parts from www.kawpowerpc.com



Deck Assembly

Ref.	Part Number	Qty.	Description	Ref.	Part Number	Qty.	Description
1	112-4180	1	Deck Decal ASM	19	3231-40	1	Bolt-CARR, Short Neck
2	114-5858	1	Belt-V	20	3231-42	1	Screw-CARR
3	104-8301	42	Nut-Flange, NI	21	108-5388	1	Screw-HH
4	105-7734	3	Pulley	22	105-7669-01	1	Baffle ASM
5	109-6938	1	Cover-Belt, LH	23	98-5967	1	Spacer-Wheel
6		1	Idler Arm ASM ●	24	106-3216-01	1	Baffle-Discharge
7	119-8560	3	Spindle ASM	25	98-7913	2	Tube-Spacer
8	109-6982	2	Wireform-Cover	26	1-603299	4	Roller-Scalp, Anti
9	105-8792-01	1	Plate-Skid	27	98-7912	2	Tube-Spanner
10	3231-27	7	Screw-CARR	28	322-50	1	Screw-HH
11	1-373034	4	Washer	29	108-2792	1	Rubber Deflector ASM
12	3290-357	6	Nut-HHF, Whiz	30	108-4052	1	Spring-Torsion
13	108-5387	3	Screw-CARR	31	105-4622	1	Spacer
14	323-23	2	Screw-HH	32	107-1664	2	Lever ASM
15	105-7718-03	3	Blade-Hi Flow	33	3296-47	1	Nut-Lock, NI
16	103-0865	3	Washer-Blade Bolt, Heavy	34	114-5867	1	Anchor-Spring, Tall
17	51-4060	3	Screw-Blade	35	116-6317	1	Spring-Extension
18	114-5842-01	1	Baffle ASM	36	109-9416	1	Spacer-Idler

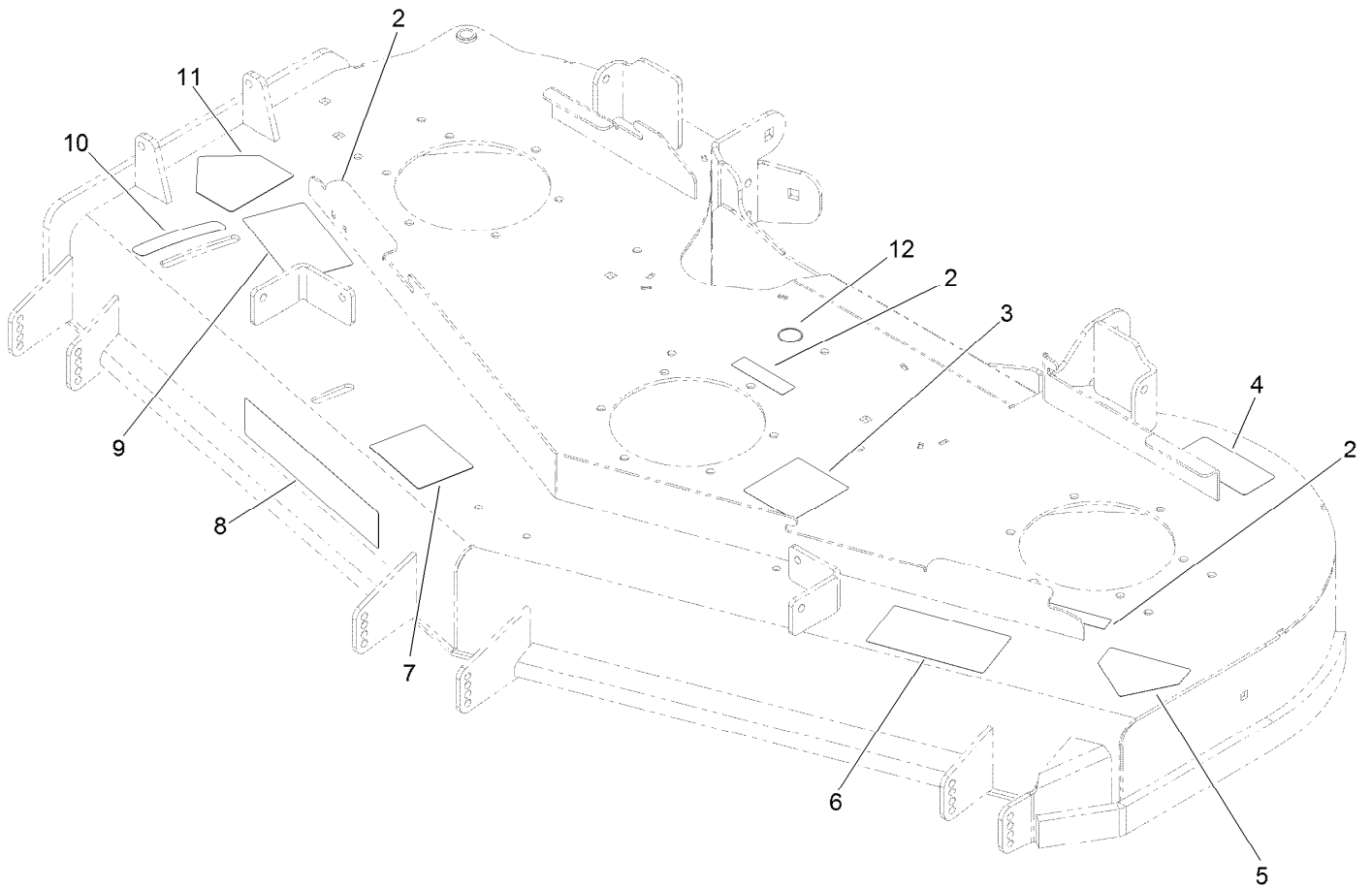
● Not serviced separately



Deck Assembly (continued)

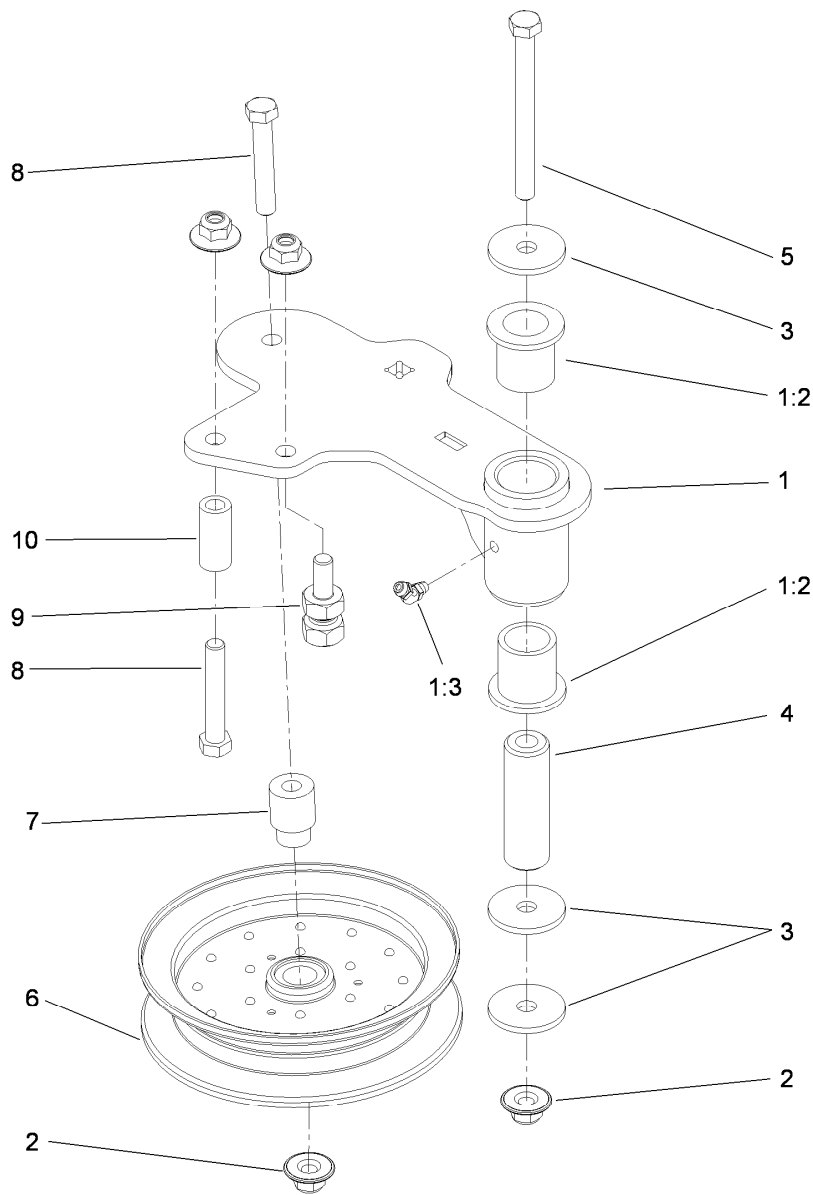
<i>Ref.</i>	<i>Part Number</i>	<i>Qty.</i>	<i>Description</i>	<i>Ref.</i>	<i>Part Number</i>	<i>Qty.</i>	<i>Description</i>
37	109-2872	1	Spacer-Pulley	40	109-8590	1	Pulley-Idler
38	116-4670	1	Pulley-Idler, Flat	41	109-6658	2	Nut-Flange, NI
39	116-0094	1	Cover-Belt, RH	42	92-1624	3	Screw-HWH

● Not serviced separately



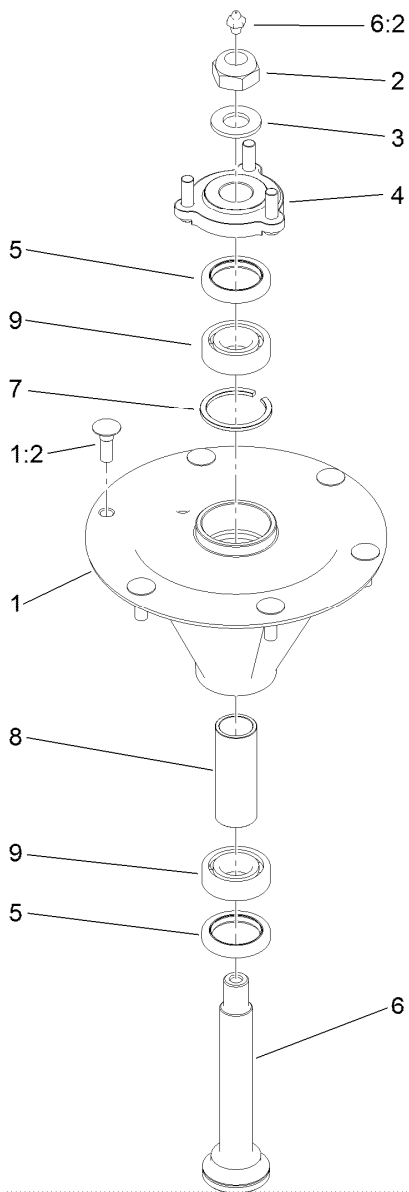
Deck Decal Assembly No. 112-4180

<i>Ref.</i>	<i>Part Number</i>	<i>Qty.</i>	<i>Description</i>
2	98-5954	3	Decal-Cover, Missing
3	115-7445	1	Decal-Routing, Deck Belt
4	68-8340	1	Decal-Torque
5	1-403005	1	Decal-Danger
6	66-1340	1	Decal-Danger, Thrown Object
7	105-7798	1	Decal-Scalp, Anti
8	107-1619	1	Decal
9	110-2068	1	Decal-Adjustment, Baffle
10	110-2067	1	Decal-Setting, Baffle
11	54-9220	1	Decal-Danger
12	58-6520	1	Decal-Grease



Idler Assembly

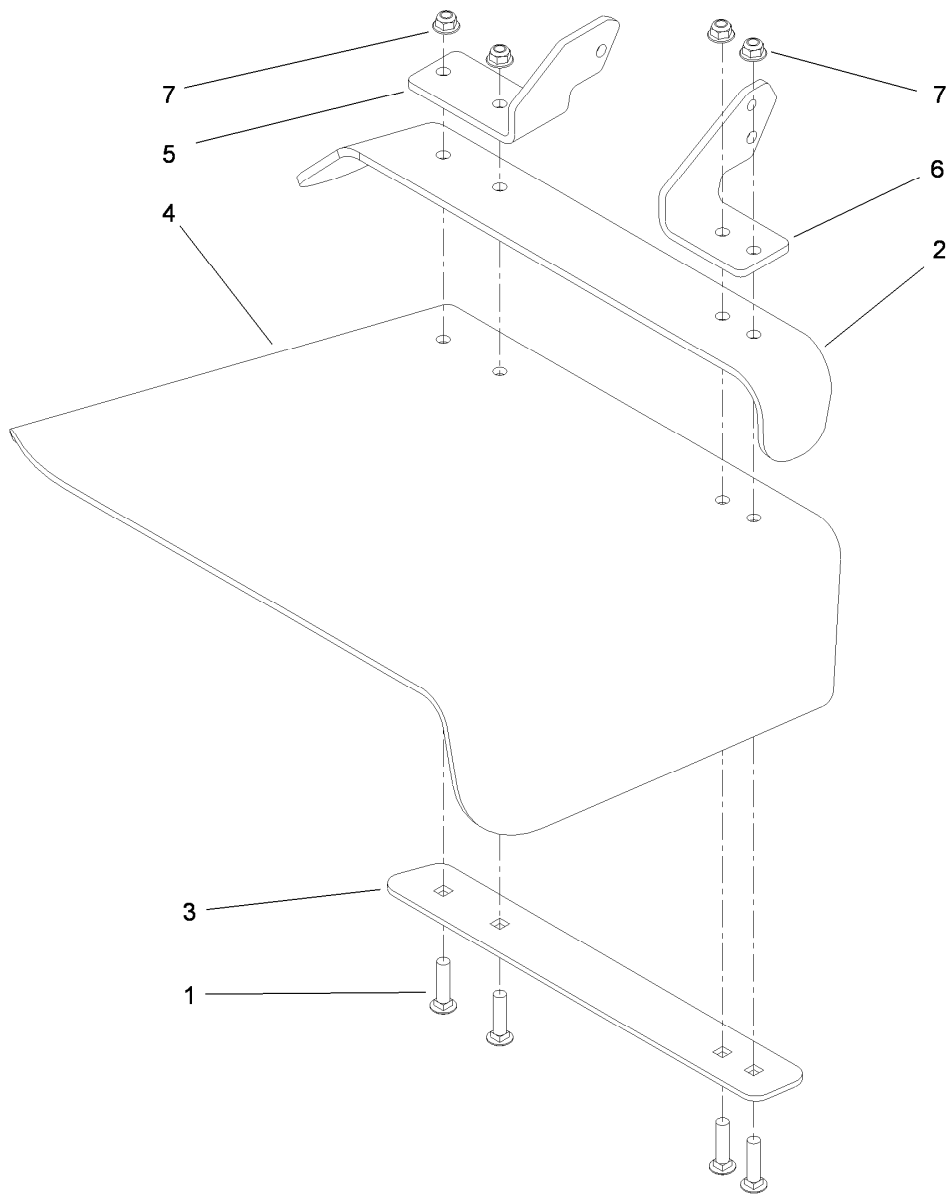
<i>Ref.</i>	<i>Part Number</i>	<i>Qty.</i>	<i>Description</i>
1	114-5870	1	Idler Arm ASM
1:2	1-303514	2	Bearing-Flanged
1:3	1481	1	Fitting-Grease
2	109-6658	4	Nut-Flange, NI
3	1-213069	3	Washer
4	114-5848	1	Spacer-Plain
5	98-5961	1	Screw-HH
6	116-4668	1	Idler-Pulley, Flanged
7	112-4212	1	Mount-Pulley
8	323-11	2	Screw-HH
9	114-5866	1	Anchor-Spring, Short
10	104-0151	1	Spacer



Spindle Assembly No. 119-8560

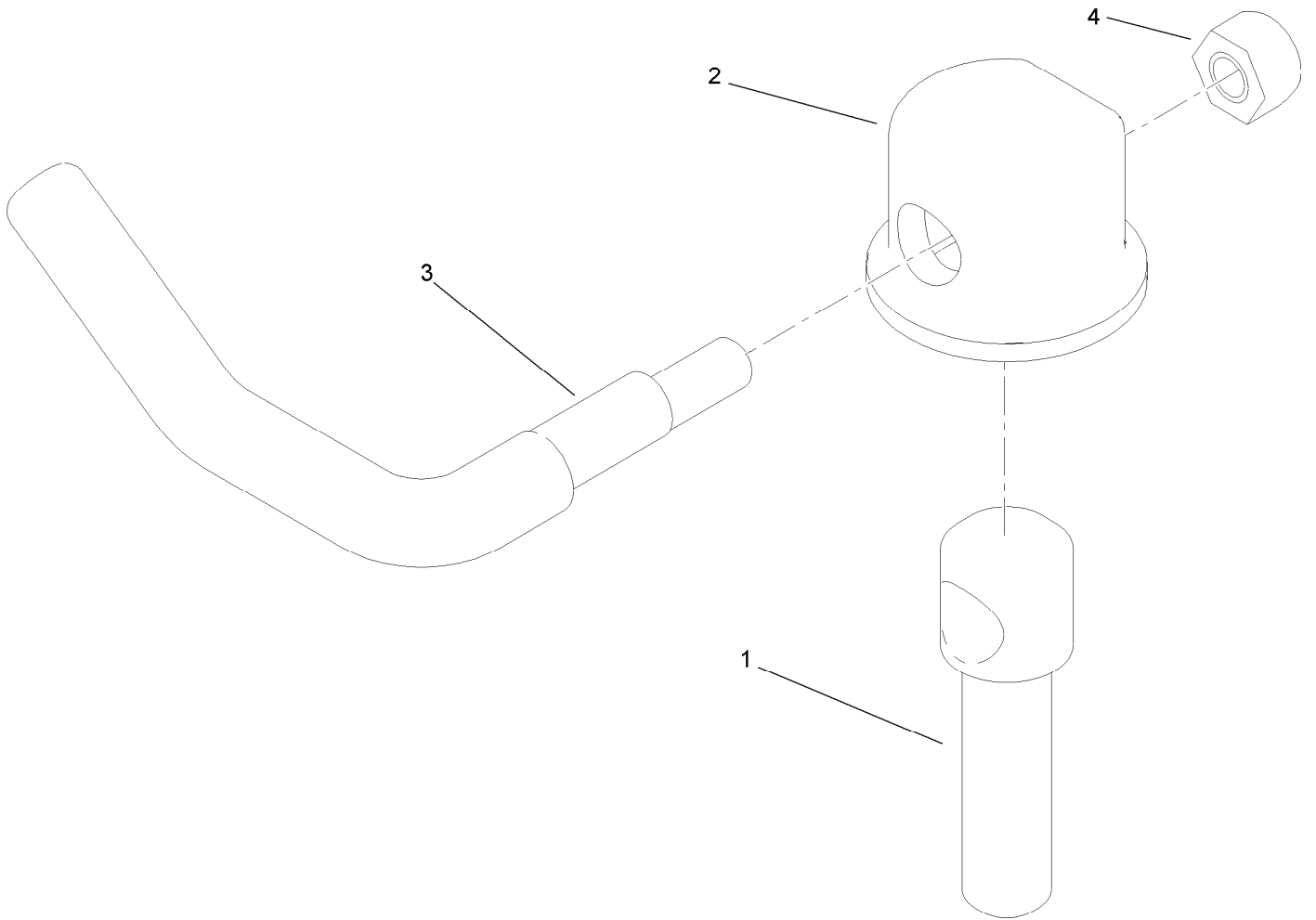
<i>Ref.</i>	<i>Part Number</i>	<i>Qty.</i>	<i>Description</i>
1		1	Spindle Housing And Studs ASM ●
1:2	114-8195	6	Bolt-Ribbed Neck
2	3296-67	1	Nut-Lock, NI
3	92-5836	1	Washer
4	117-6172	1	Spindle Hub ASM
5	253-133	2	Seal-Oil
6	119-8527	1	Spindle Shaft And Zerk ASM
6:2	302-2	1	Fitting-Grease
7	119-8532	1	Snap Ring
8	117-6184	1	Spacer
9	119-8558	2	Bearing-Noseal

● Not serviced separately



Rubber Deflector Assembly No. 108-2792

<i>Ref.</i>	<i>Part Number</i>	<i>Qty.</i>	<i>Description</i>
1	3231-4	4	Screw-CARR
2	106-3246-01	1	Deflector
3	106-3248-03	1	Strap-Discharge
4	108-5029	1	Deflector-Rubber
5	108-4059-01	1	Plate-Hinge, Rear
6	106-3253-01	1	Plate-Hinge, Front
7	104-8301	4	Nut-Flange, NI



Lever Assembly No. 107-1664

<i>Ref.</i>	<i>Part Number</i>	<i>Qty.</i>	<i>Description</i>
1	106-3239	1	Screw-Lock
2	107-1644	1	Cap-Lock
3	106-3241	1	Lever-Lock
4	3296-29	1	Nut-Lock, NI

Attachments and Accessories

For 74925 Z Master Professional 6000 Series Riding Mower with 60in TURBO FORCE Side Discharge Mower

Product Name	Model/Part
Blade-Mid Flow, 20.5in	105-7715-03
Blade-Lo Flow, 20.5in	105-7716-03
Blade-Hi Flow, 20.5in	105-7718-03
Blade-Recycler, 20.5in.....	105-7777-03
Blade-Atomic, 20.5in	105-8777-03
6 Pack Blade, 20.5in Hi-Flow	108-1114
6 Pack-Blade, 20.5in Atomic.....	108-1115
6 Pack Blade, 20.5in Mid-Flow	108-1123
6 Pack-Blade, 20.5in Lo Flow	108-1128
Anti-Scalp Kit (Trim Side).....	108-4140
Hitch Kit	109-9487
6 Pack-Blade, 20.5in Recycler.....	110-0405
Hypr-Oil 500 (quart).....	114-4713
Hypr-Oil 500 (gallon).....	114-4714
Hypr-Oil 500-5 (5 gallon).....	114-4715
Bimini Folding Shade Assembly	115-4510
Recycler Kit	115-7468
Roller Striper Kit.....	115-7470
Light Kit.....	116-1154
Operator-Controlled Discharge Chute Kit	117-3600
Deluxe Suspension Seat Kit	117-6174
Z Stand Kit	121-4811
Toro Deluxe Rider Cover.....	490-7319
Spark Arrestor Screen	75-6880
Blower and Drive Kit	78553
E-Z Vac Triple Bagging System	78563
E-Z Vac DFS Collection System	78567
Filter Minder Gauge	99-4664
Trash Holder Kit.....	TC26

Notes:



Count on it.