



Count on it.

Parts Catalog

**TITAN ZX5420 Zero-Turn-Radius
Riding Mower**

Model No. 74924—Serial No. 313000001 and Up



Ordering Replacement Parts

To order replacement parts, please supply the part number, the quantity, and the description of each part desired.

Understanding Reference Numbers

Each identified part in an illustration has a reference number. The reference number for a part also appears in the parts list, along with other information about the part.

This catalog uses two special reference number formats, one to indicate parts in a service assembly and another to indicate the quantity of a given part in an illustration.

Service Assembly Reference Numbers

Parts in service assemblies have reference numbers in the form a:b. The a represents the reference number of the entire service assembly and the b represents a sequential number unique to each part within the service assembly.

For example, a wheel assembly might be identified by reference number 6, the tire by 6:1, the valve by 6:2, and the wheel by 6:3. When you order the assembly identified by reference number 6, you receive all parts identified by reference numbers 6:1, 6:2, and 6:3. However, you may also order any part individually. Reference numbers of this type appear in illustration and in parts lists.

Reference Numbers Indicating Quantity

In an illustration, if a reference number indicates more than one part, the reference number has the form nX y. The n represents the quantity of the part, the X is the multiplication symbol, and the y represents the reference number.

For example, in an illustration, the reference number 2X 37 means that two of the parts identified by reference number 37 are indicated.

List of Abbreviations

AR: as required

ASM: assembly

BBC: blade brake control

BHTF: button head thread forming

CARR: carriage

CCW: counter clockwise

CW: clockwise

DEG: degrees

DPA: Dual Point Adjustment

ECM: electronic control module

EXT: external

FH: flat head

GA: gauge

HD: heavy-duty

HF: hex flange

HH: hex head

HHF: hex head flange

HHFTF: hex head flange thread forming

HJ: hex jam

HLH: hex lag head

HOC: height-of-cut

HSBH: hex socket button head

HSFH: hex socket flat head

HSH: hex socket head

HWH: hex washer head

HWHTF: hex washer head thread forming

HYD: hydraulic

LH: left hand

LP: Liquefied Petroleum Gas

LPG: Liquefied Petroleum Gas

NI: nylon insert

NPTF: national pipe thread fine

PFH: phillips flat head

PPH: phillips pan head

PPHTF: phillips pan head thread forming

PRH: phillips round head

PTH: phillips truss head

PTO: power-take-off

RH: right hand

ROPS: roll-over protection system

RRB: rear roller brush

SFH: slotted fillister head

SHH: slotted hex head

SHWH: slotted hex washer head

SPH: slotted pan head

SQH: square head

SRH: slotted round head

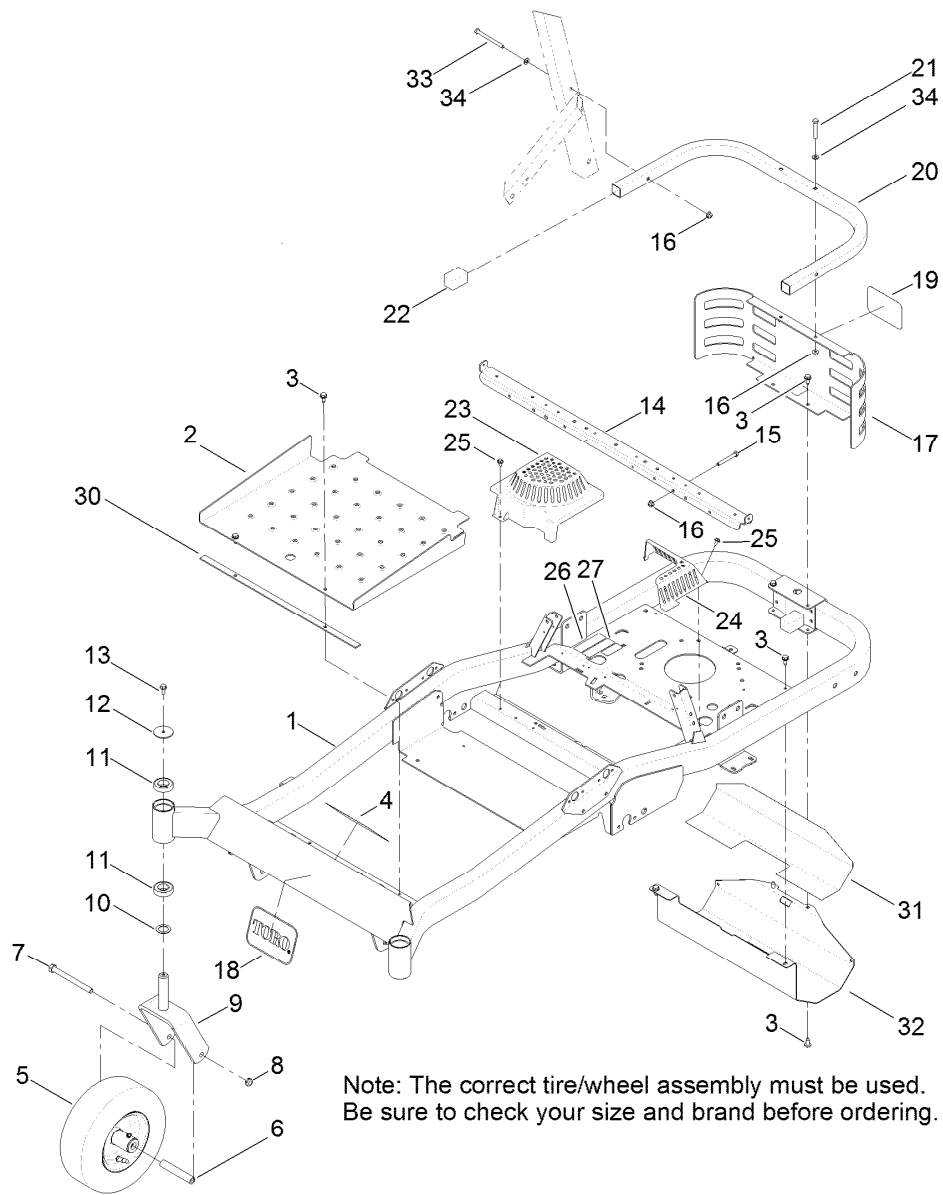
STD: standard

TAP: self tapping

TTH: torx truss head

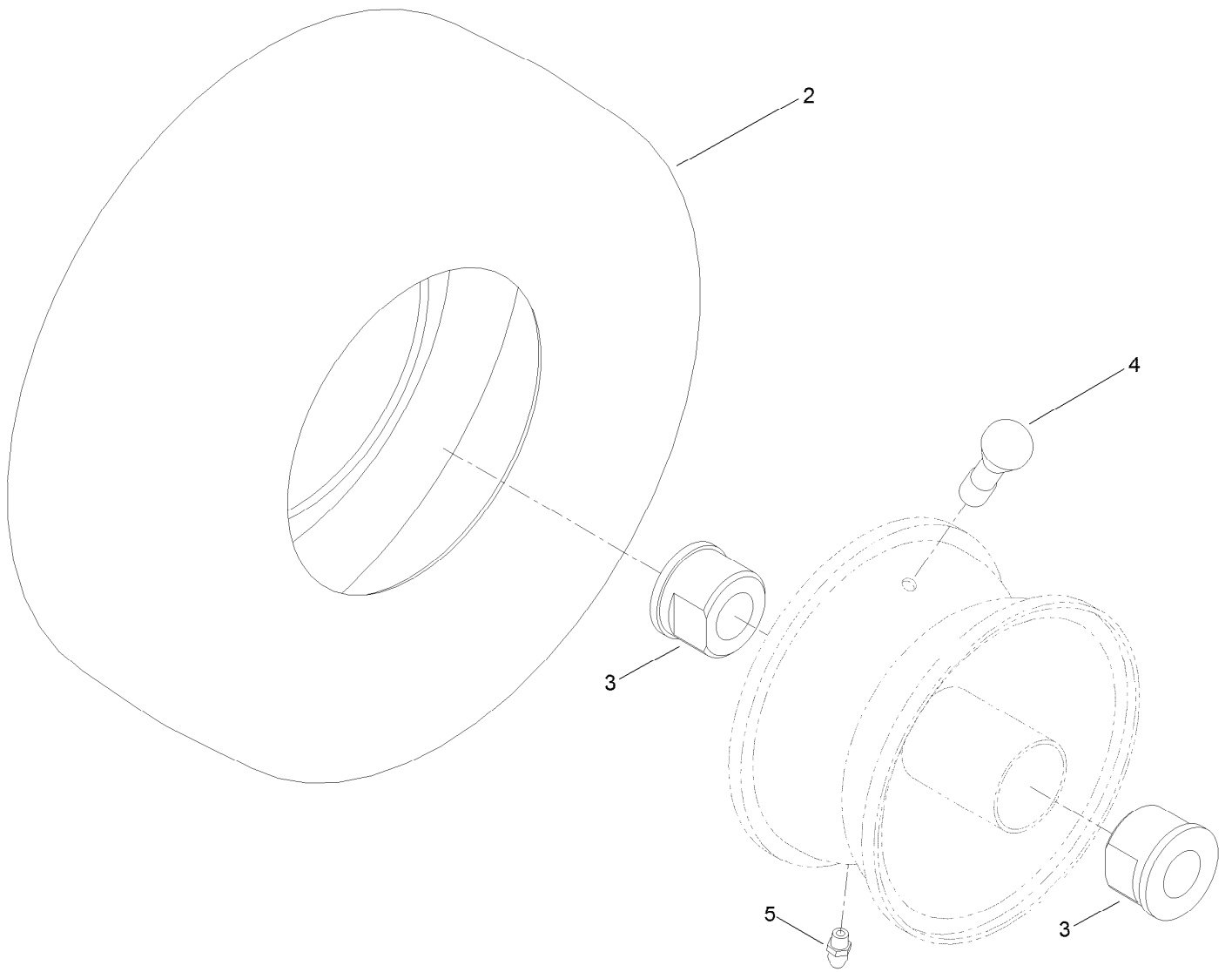
Contents

Frame, Front Axle and Caster Wheel Assembly	4
Wheel and Tire Assembly No. 125-1822	5
Wheel and Tire Assembly No. 115-2554	6
Control Panel and Body Styling Pod Assembly	7
Traction Drive Assembly	8
RH Hydro Assembly No. 115-2550	10
LH Hydro Assembly No. 115-2551	12
Motion Control Assembly	14
Deck Lift Assembly	16
Seat Assembly	17
Brake Link Assembly	18
Engine, Muffler and Clutch Assembly	19
Fuel Delivery Assembly	20
Multi Layer Fuel Tank Assembly No. 117-7352	21
Roll-Over Protection System Assembly	22
Electrical Assembly	23
54 Inch Deck Assembly	24
54 Inch Deck and Decal Assembly No. 117-5374	25
54 Inch Deck Baffle and Guard Assembly	26
Deck, Belt and Mulch Blade Assembly	27
Attachments and Accessories	28



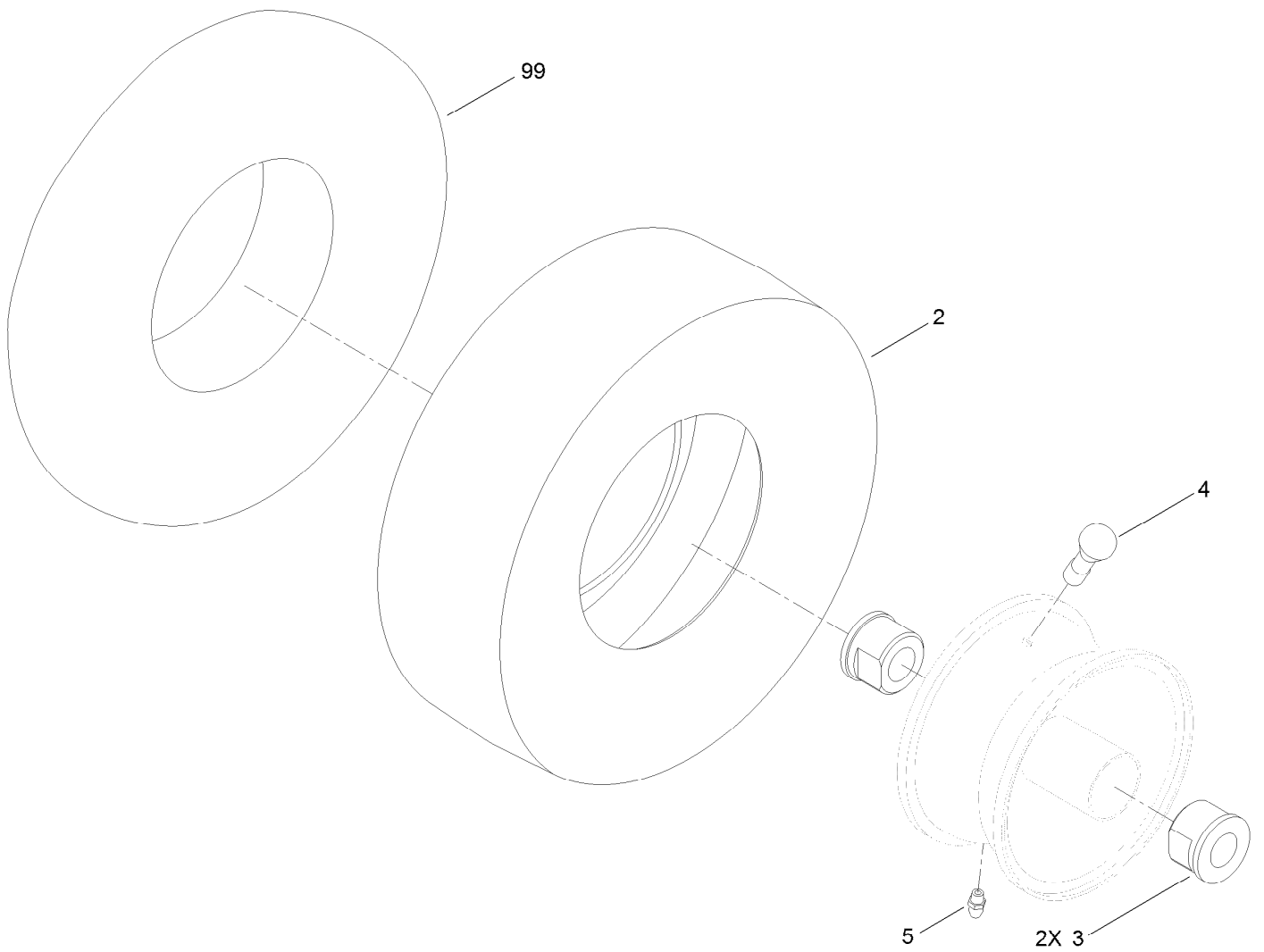
Frame, Front Axle and Caster Wheel Assembly

Ref.	Part Number	Qty.	Description	Ref.	Part Number	Qty.	Description
1	117-7356-01	1	Frame ASM	16	104-8300	6	Nut-Flange, NI
2	115-2531-05	1	Pan-Floor	17	120-2248-03	1	Guard-Rear
3	32144-70	8	Screw-HWHTF	18	62-5550	1	Decal
4	120-5466	1	Decal-Safety	19	105-8278	1	Decal
5	125-1822	2	Tire And Wheel ASM (Cst)	20	121-0704-01	1	Tube-Guard
5	115-2554	2	Tire And Wheel ASM (Kenda)	21	322-10	2	Screw-HH
6	104-3667	2	Spanner-Wheel	22	121-2980	2	Cap
7	325-22	2	Screw-HH	23	117-1241	1	Cover-Fan, RH
8	3296-45	2	Nut-Lock, NI	24	117-1242	1	Cover-Fan, LH
9	110-6634-01	2	Caster Fork ASM	25	46-8560	2	Screw-HHFTF
10	10-8110	2	Washer-Thrust	26	119-8995	1	Decal-Serial
11	109-3678	4	Bearing-Ball	27	121-3279	1	Decal-Emissions, Epa
12	109-3724	2	Washer	30	117-7238	1	Strip-Vibration, Anti
13	3234-47	2	Screw-HHF	31	117-7220	1	Foil-Heat Shield
14	119-8997-03	1	Support-Seat	32	120-2247-03	1	Guard-Muffler
15	322-12	2	Screw-HH	33	322-23	2	Screw-HH
				34	3256-23	4	Washer-Flat



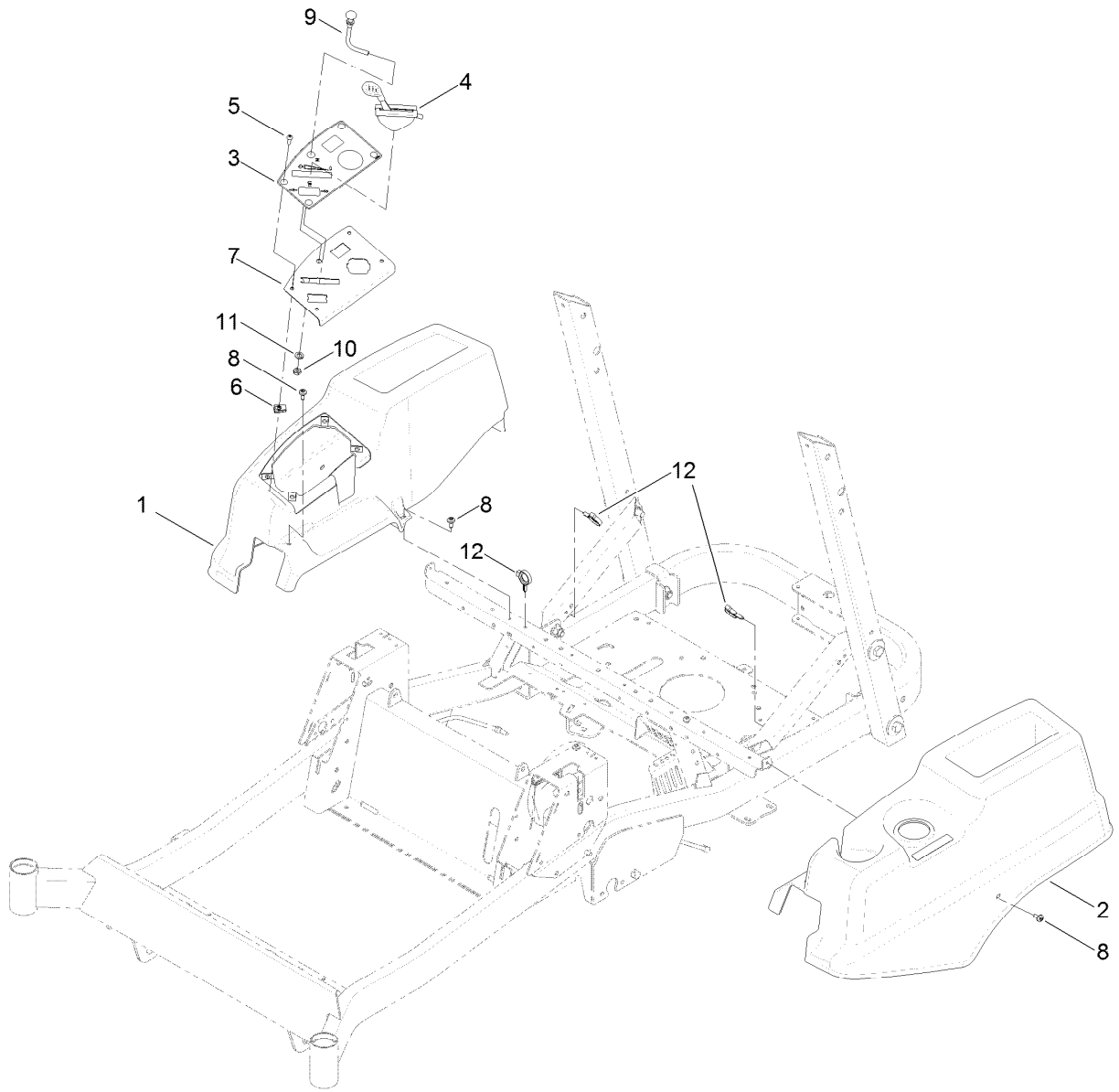
Wheel and Tire Assembly No. 125-1822

<i>Ref.</i>	<i>Part Number</i>	<i>Qty.</i>	<i>Description</i>
2	125-1823	1	Tire
3	114-1640	2	Bushing-Flange
4	232-27	1	Stem-Valve
5	302-5	1	Fitting-Grease
99	117-1234	1	Tube-Inner



Wheel and Tire Assembly No. 115-2554

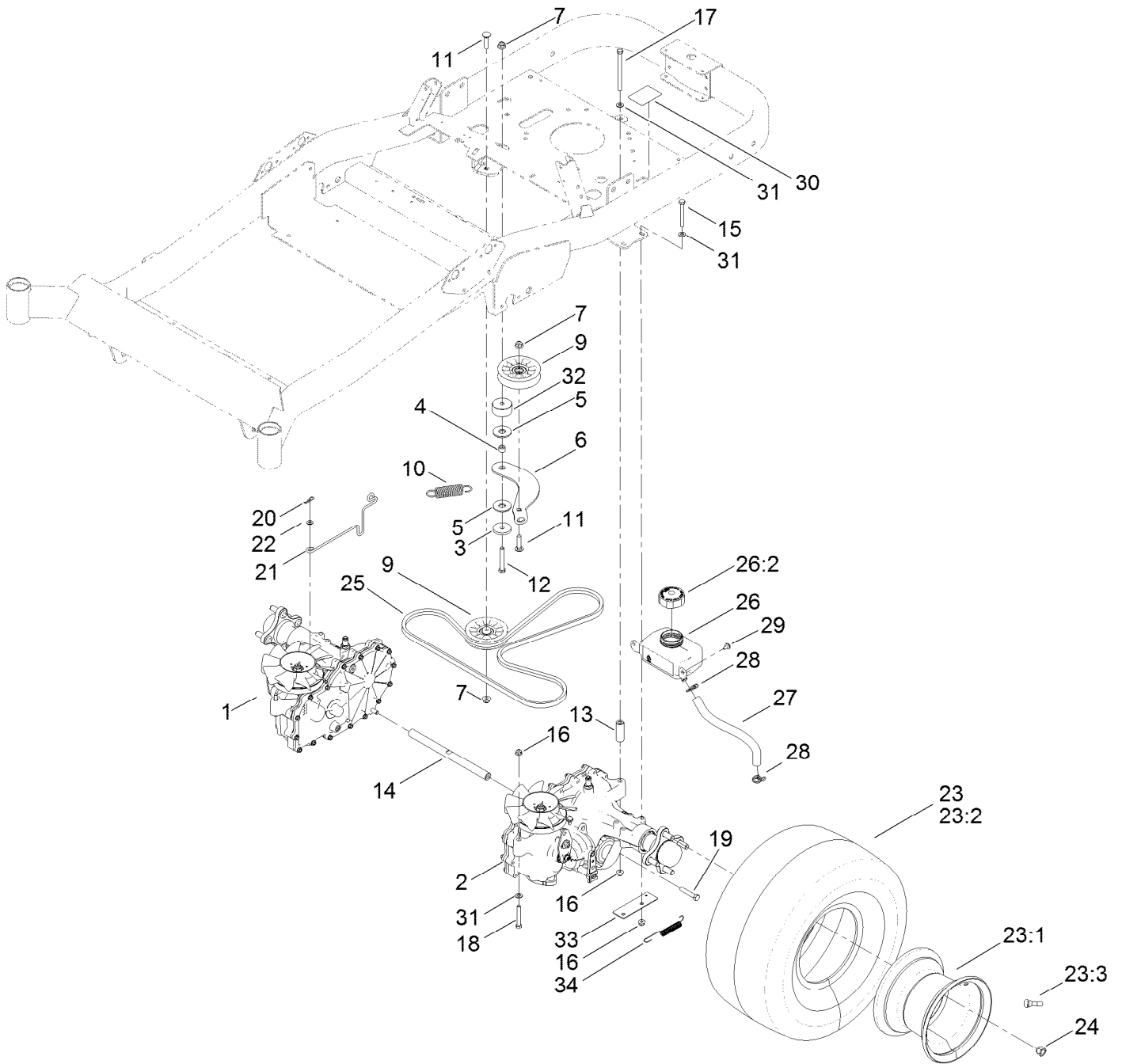
<i>Ref.</i>	<i>Part Number</i>	<i>Qty.</i>	<i>Description</i>
2	115-2557	1	Tire-Smooth
3	114-1640	2	Bushing-Flange
4	232-27	1	Stem-Valve
5	302-5	1	Fitting-Grease
99	117-1234	1	Tube-Inner



Control Panel and Body Styling Pod Assembly

<i>Ref.</i>	<i>Part Number</i>	<i>Qty.</i>	<i>Description</i>
1	115-2581	1	Pod-RH
2	115-2582	1	Pod-LH
3	115-9632	1	Decal-Panel, Control
4	121-0770	1	Cable-Throttle
5	3258-166	4	Screw-PRH
6	107069	4	Clip
7	115-2591-03	1	Panel-Control
8	120-7950	6	Screw-Shoulder
9	120-2291	1	Cable-Choke
10	3253-21	1	Washer-Lock
11	3220-3	1	Nut-HJ
12	105-1853	2	Clamp-Hose

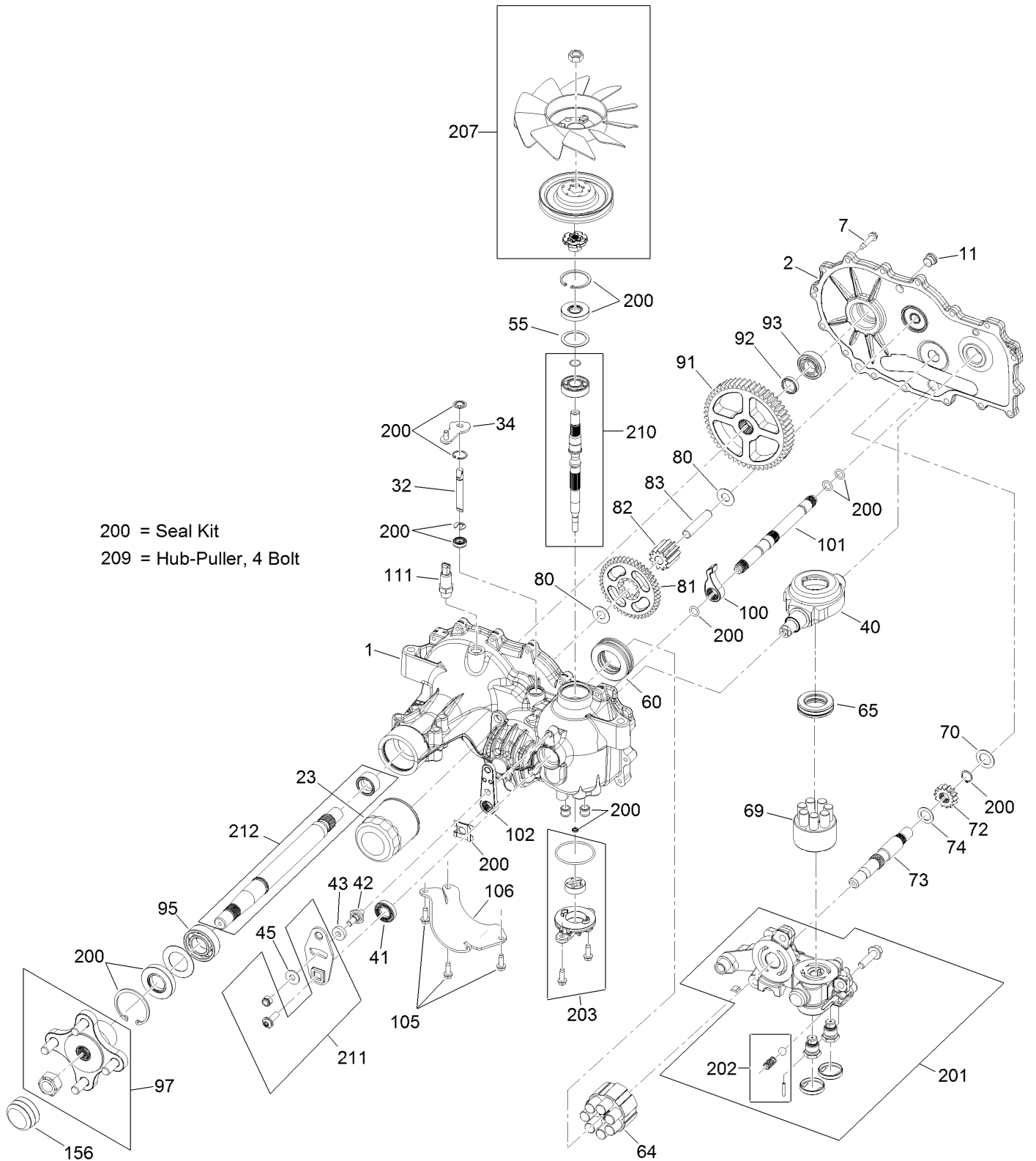
Traction Drive Assembly



Traction Drive Assembly (continued)

<i>Ref.</i>	<i>Part Number</i>	<i>Qty.</i>	<i>Description</i>	<i>Ref.</i>	<i>Part Number</i>	<i>Qty.</i>	<i>Description</i>
1	115-2550	1	RH Hydro Transmission ASM	20	1-806003	2	Pin-Cotter, Hair
2	115-2551	1	LH Hydro Transmission ASM	21	115-4990	2	Rod-Bypass
3	110-9981	1	Washer-Plain	22	3256-22	2	Washer-Flat
4	115-4986	1	Spacer	23	109-5268	2	Wheel And Tire ASM
5	114-0463	2	Washer-Friction, Composite	23:1	109-5270	1	Wheel
6	117-5350	1	Arm-Idler	23:2	109-5269	1	Tire
7	104-8301	3	Nut-Flange, NI	23:3	232-27	1	Stem-Valve
9	109-3397	2	Pulley-Idler, Flat	23:4	93-3893	1	Tube-Inner
10	1-603402	1	Spring-Extension	24	242-50	8	Nut-Lug
11	3231-4	2	Screw-CARR	25	115-9613	1	V-Belt
12	323-12	1	Screw-HH	26	115-9618	1	HYD Reservoir ASM
13	109-3652	2	Spacer-Hydro	26:2	109-3320	1	Cap-Reservoir, HYD
14	115-2559	1	Shaft-Cross, Hydro	27	115-4969	2	Hose-Overflow
15	322-13	4	Screw-HH	28	117-1193	4	Clamp-Hose
16	104-8300	8	Nut-Flange, NI	29	46-8560	2	Screw-HHFTF
17	322-38	2	Screw-HH	30	117-1158	2	Decal-Bypass
18	322-11	2	Screw-HH	31	3256-23	8	Washer-Flat
19	323-10	2	Screw-HH	32	117-5351	1	Spacer
				33	117-7248-03	2	Plate-Spring
				34	110769	2	Spring-Extension

RH Hydro Assembly No. 115-2550



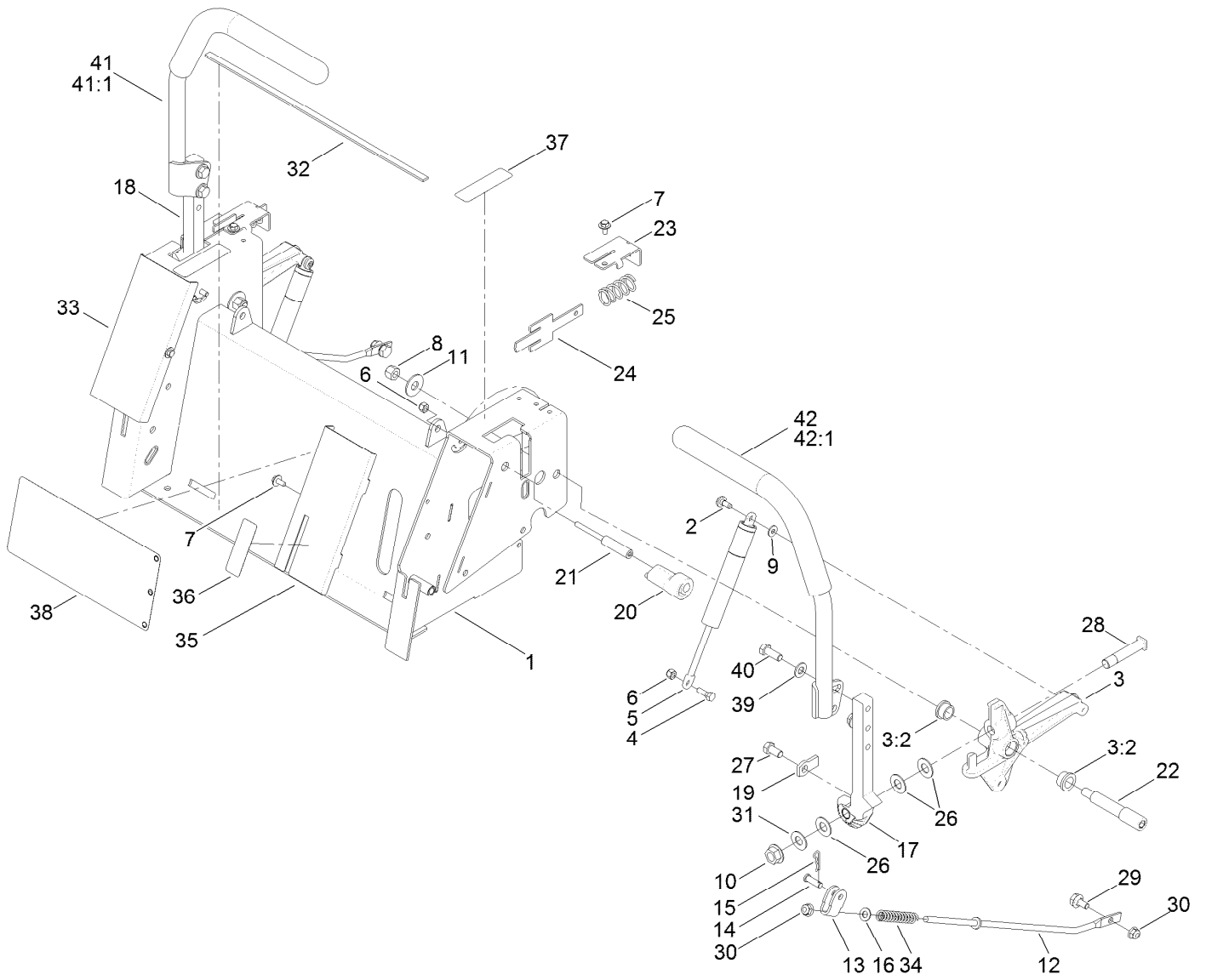
RH Hydro Assembly No. 115-2550 (continued)

<i>Ref.</i>	<i>Part Number</i>	<i>Qty.</i>	<i>Description</i>	<i>Ref.</i>	<i>Part Number</i>	<i>Qty.</i>	<i>Description</i>
1	117-5357	1	RH Main Housing Kit	82	114-1693	1	Gear-11T
2	117-5358	1	Housing Side Kit	83	104-5329	1	Pin-Jackshaft
7	117-5359	16	Screw-HHF	91	114-1694	1	Gear-54T
11	104-2189	1	Plug-Thread, Straight	92	120-7975	1	Spacer
23	109-3321	1	Element-Oil Filter, HYD	93	114-1696	1	Bearing-Ball
32	114-1685	1	Rod-Bypass	95	120-7976	1	Bearing-Ball
34	107-2490	1	Arm-Bypass	97	109-5939	1	Hub Kit
40	104-5304	1	Swashplate-Trunnion	100	114-1697	1	Pawl-Brake
41	104-5313	1	Seal-Lip	101	120-7977	1	Brake Shaft Kit
42	104-2116	1	Stud	102	125-0021	1	Handle-Brake
43	112-9853	1	Puck-Friction	105	104-2120	3	Screw
45	114-8491	1	Washer	106	120-7981	1	Guard-Filter, RH
55	104-5308	1	Spacer	111	109-3278	1	Adapter-Straight
60	112-4154	1	Bearing-Thrust	156	115-5057	1	Cover-Nut, Axle
64	114-1689	1	Motor Cylinder Block Kit	200	109-3537	1	Complete Seal Kit
65	94-6922	1	Bearing-Thrust	201	114-8463	1	RH Center Section Kit
69	110-8561	1	Pump Block ASM	202	114-8464	1	Charge Relief Kit
70	104-5339	1	Washer-Flat	203	114-8465	1	Charge Kit
72	114-1690	1	Gear-14T	207	125-0059	1	Kit, Fan And Pulley
73	114-1691	1	Shaft-Motor	209	114-8467	1	Hub-Puller, 4 Bolt
74	104-5360	1	Washer	210	117-5361	1	Shaft Input Kit
80	94-1933	1	Washer	211	117-5362	1	Arm Control Kit
81	114-1692	1	Gear-45T	212	114-8470	1	Axle Shaft Kit

LH Hydro Assembly No. 115-2551 (continued)

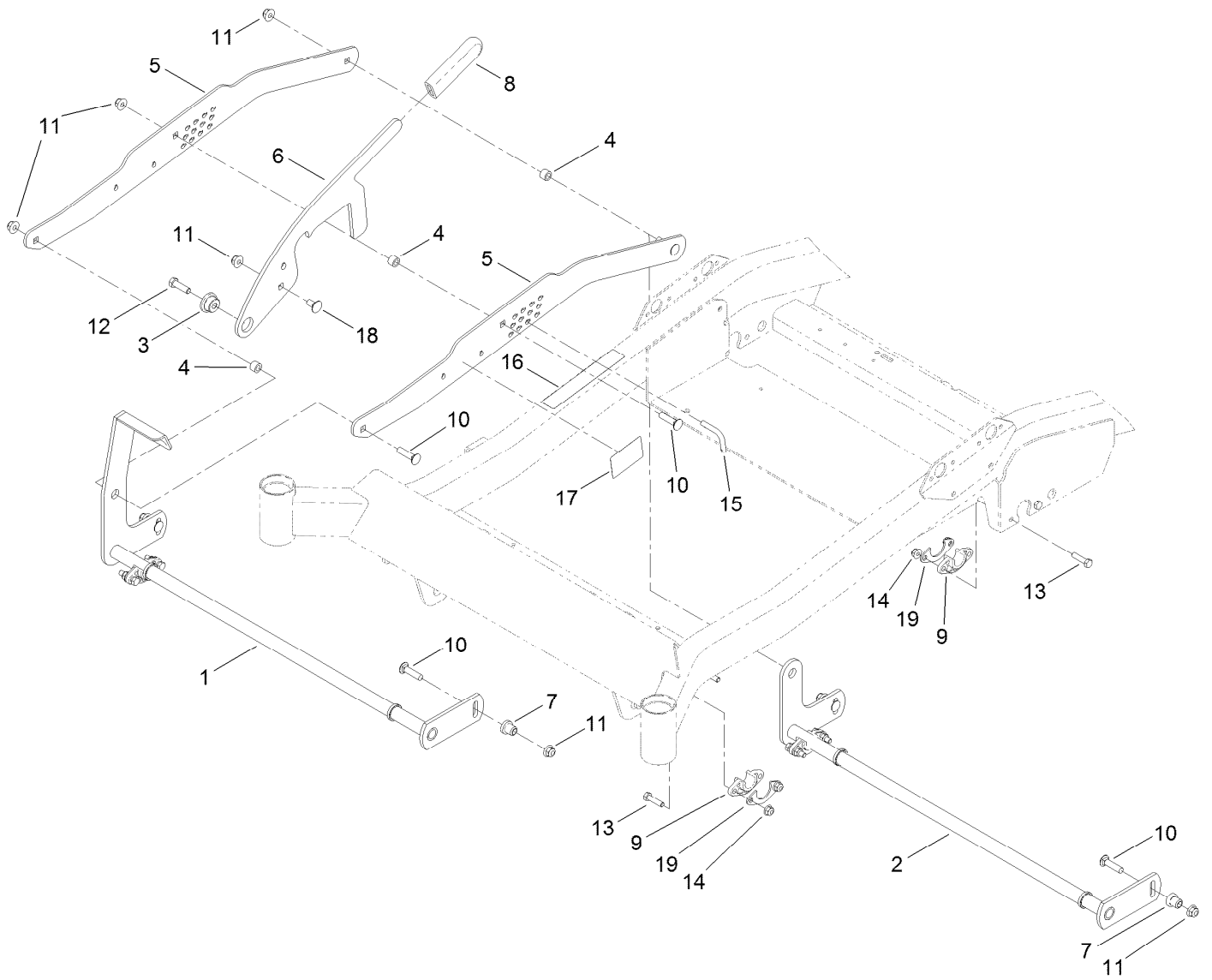
<i>Ref.</i>	<i>Part Number</i>	<i>Qty.</i>	<i>Description</i>	<i>Ref.</i>	<i>Part Number</i>	<i>Qty.</i>	<i>Description</i>
1	114-8471	1	Main Housing Kit	82	114-1693	1	Gear-11T
2	114-8472	1	Side Cover Kit	83	104-5329	1	Pin-Jackshaft
7	117-5359	16	Screw-HHF	91	114-1694	1	Gear-54T
11	104-2189	1	Plug-Thread, Straight	92	120-7975	1	Spacer
23	109-3321	1	Element-Oil Filter, HYD	93	114-1696	1	Bearing-Ball
32	114-1685	1	Rod-Bypass	95	120-7976	1	Bearing-Ball
34	107-2490	1	Arm-Bypass	97	109-5939	1	Hub Kit
40	104-5304	1	Swashplate-Trunnion	100	114-1697	1	Pawl-Brake
41	104-5313	1	Seal-Lip	101	120-7977	1	Brake Shaft Kit
42	104-2116	1	Stud	102	125-0021	1	Handle-Brake
43	112-9853	1	Puck-Friction	105	104-2120	3	Screw
45	114-8491	1	Washer	106	120-7979	1	Guard-Filter, LH
55	104-5308	1	Spacer	111	109-3278	1	Adapter-Straight
60	114-1688	1	Bearing-Thrust	156	115-5057	1	Cover-Nut, Axle
64	114-1689	1	Motor Cylinder Block Kit	200	109-3537	1	Complete Seal Kit
65	94-6922	1	Bearing-Thrust	201	114-8476	1	LH Center Section Kit
69	110-8561	1	Pump Block ASM	202	114-8464	1	Charge Relief Kit
70	104-5339	1	Washer-Flat	203	114-8465	1	Charge Kit
72	114-1690	1	Gear-14T	207	125-0059	1	Kit, Fan And Pulley
73	114-1691	1	Shaft-Motor	209	114-8467	1	Hub-Puller, 4 Bolt
74	104-5360	1	Washer	210	117-5361	1	Shaft Input Kit
80	94-1933	2	Washer	211	117-5362	1	Arm Control Kit
81	114-1692	1	Gear-45T	212	114-8470	1	Axle Shaft Kit

Motion Control Assembly



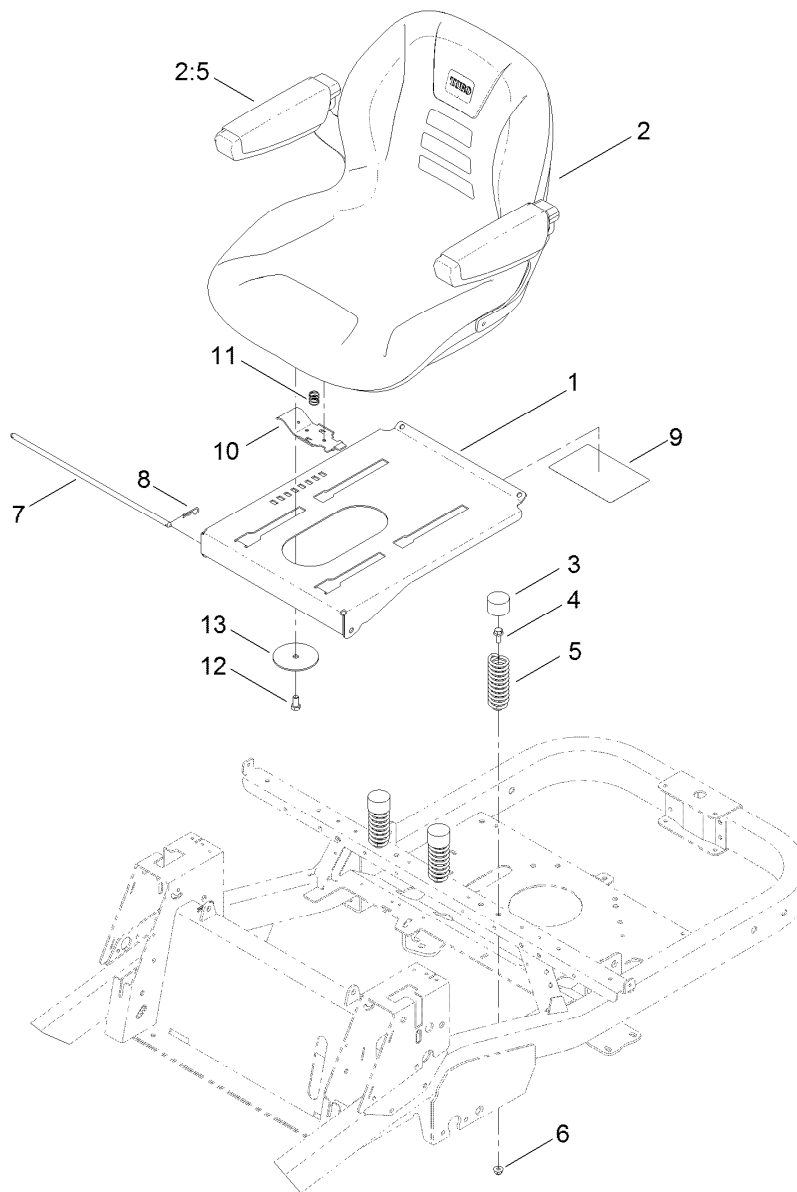
Motion Control Assembly (continued)

<i>Ref.</i>	<i>Part Number</i>	<i>Qty.</i>	<i>Description</i>	<i>Ref.</i>	<i>Part Number</i>	<i>Qty.</i>	<i>Description</i>
1	115-2546-03	1	Box-Control	23	110-6751	2	Bracket-Return
2	120-7950	2	Screw-Shoulder	24	110-6750	2	Plate-Return
3	110-6828	2	Activator Arm ASM	25	110-6752	2	Spring-Compression
3:2	105-3455	2	Bushing	26	110-6894	6	Washer-Pivot
4	106-2214	2	Bolt-Shoulder	27	323-4	2	Screw-HH
5	109-2339	2	Damper-Control, Motion	28	110-6784	2	Bolt-Shoulder
6	3296-42	4	Nut-Lock, NI	29	37-8771	2	Bolt-Shoulder
7	46-8560	4	Screw-HHFTF	30	104-8300	4	Nut-Flange, NI
8	3296-48	2	Nut-Lock, NI	31	112-9771	2	Washer-Teflon
9	119-8952	2	Washer	32	117-7237	1	Strip-Vibration, Anti
10	32128-23	2	Nut-HF	33	117-1255-03	1	Cover-Control, RH
11	3256-5	2	Washer-Flat	34	1-603807	2	Spring-Return, Neutral
12	117-7422	2	Rod-Control	35	115-2561-03	1	Cover-Control, LH
13	117-7423	2	Bracket-Control	36	115-9625	1	Decal
14	1-808280	2	Pin-Clevis	37	99-8936	2	Decal-Control, Motion
15	1-806003	2	Pin-Cotter, Hair	38	119-8986	1	Decal
16	3256-23	2	Washer-Flat	39	3256-24	4	Washer-Flat
17	110-6783-05	1	Arm-Actuator, LH	40	323-6	4	Screw-HH
18	110-6782-05	1	Arm-Actuator, RH	41	121-0731	1	Handle-Control, RH
19	115-5023	2	Tab-Stop	41:1	121-0726	1	Grip
20	110-6873	2	Eccentric	42	121-0730	1	Handle-Control, LH
21	110-6874	2	Screw-Eccentric	42:1	121-0726	1	Grip
22	110-6875	2	Bolt-Shoulder				



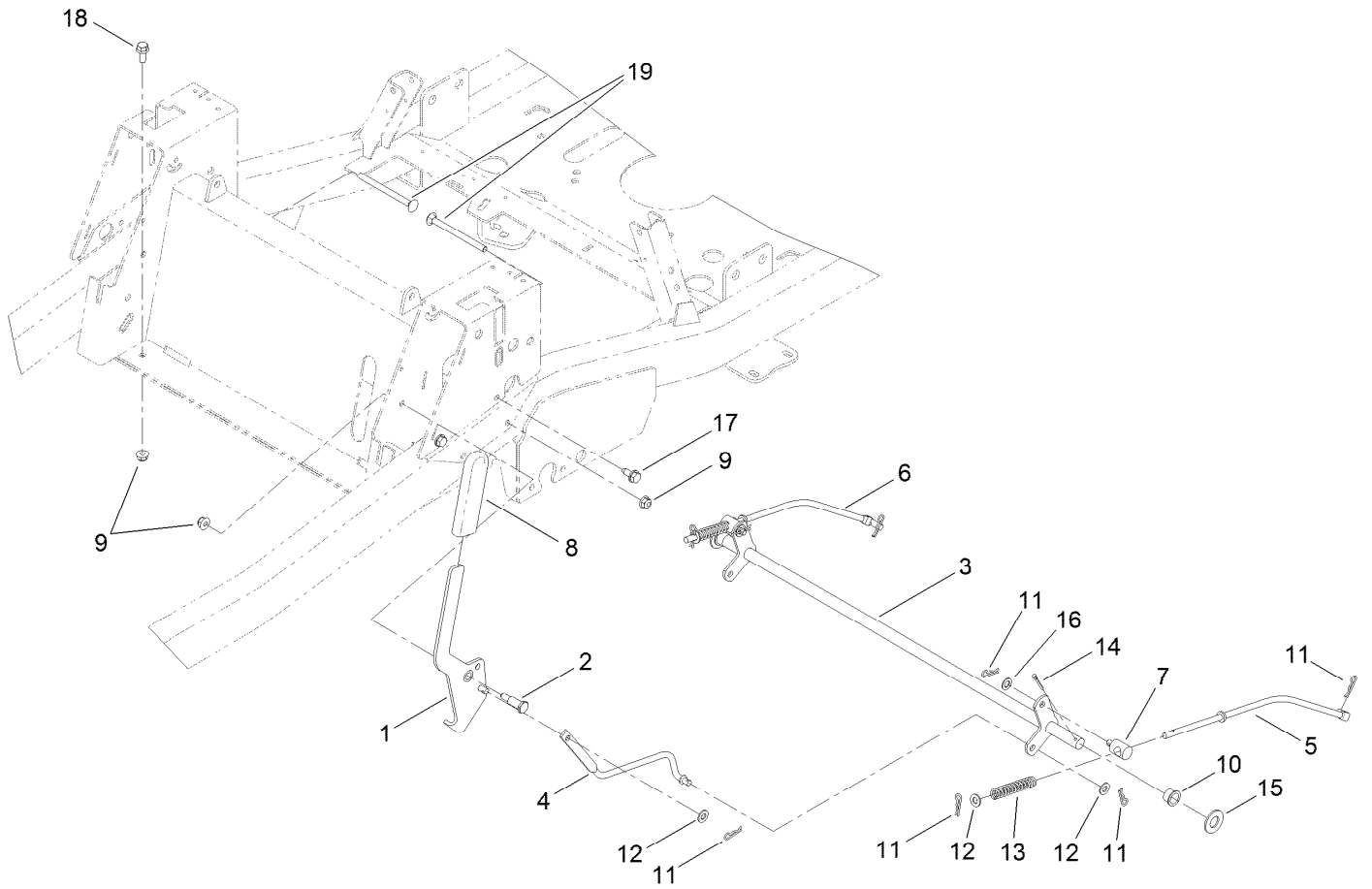
Deck Lift Assembly

<i>Ref.</i>	<i>Part Number</i>	<i>Qty.</i>	<i>Description</i>	<i>Ref.</i>	<i>Part Number</i>	<i>Qty.</i>	<i>Description</i>
1	115-2495-03	1	Pivot-Front	11	104-8301	8	Nut-Flange, NI
2	115-2498-03	1	Pivot-Rear	12	323-7	1	Screw-HH
3	117-1281	1	Bushing-Mount, HOC	13	322-6	8	Screw-HH
4	115-4986	3	Spacer	14	104-8300	8	Nut-Flange, NI
5	115-2503-03	2	Plate-Lift, Foot	15	117-1280	1	Pin-Keyed
6	115-2504	1	Plate-Stop, HOC	16	115-9644	1	Decal-HOC
7	65-5950	4	Bushing-Pulley	17	117-5344	1	Decal-Lock, Deck
8	1-633268	1	Grip-Lever	18	3231-1	1	Screw-CARR
9	115-5065	4	Bushing-Flange	19	116-2887	4	Gusset-Deck Lift
10	3231-4	7	Screw-CARR				



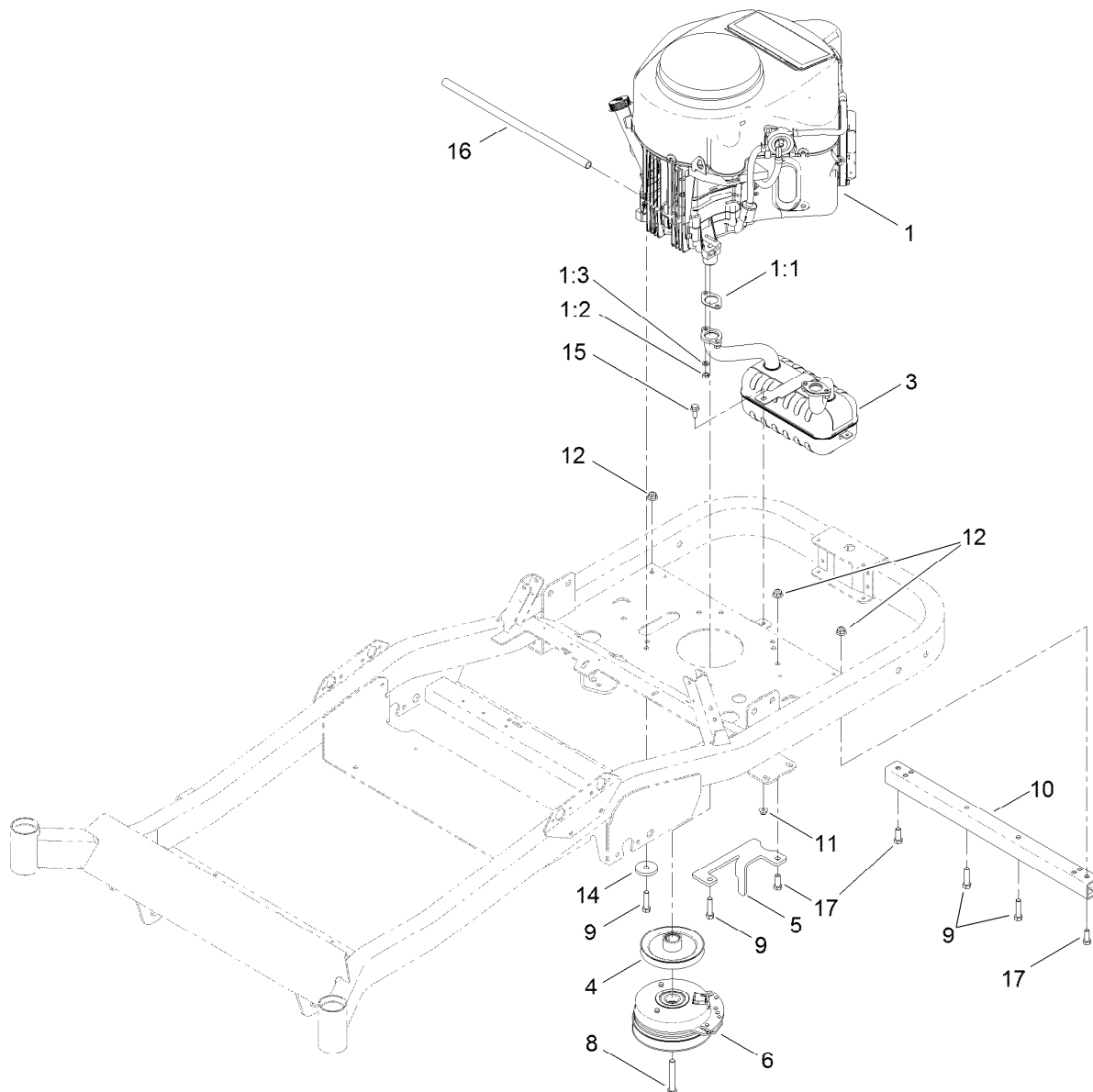
Seat Assembly

Ref.	Part Number	Qty.	Description
1	117-5320-03	1	Pan-Seat
2	115-5053	1	18 Inch Seat ASM
2:5	119-3307	1	Armrest Kit
3	701178	3	Cap-Protector
4	3234-47	3	Screw-HHF
5	92-7054	3	Spring-Compression
6	104-8300	3	Nut-Flange, NI
7	115-4966	1	Rod-Stop
8	3290-250	2	Pin-Hair
9	115-9630	1	Decal-Maintenance
10	115-9623	1	Latch-Seat
11	115-9624	1	Spring-Compression
12	323-4	1	Screw-HH
13	117-5307	1	Washer-Seat



Brake Link Assembly

Ref.	Part Number	Qty.	Description	Ref.	Part Number	Qty.	Description
1	119-3460	1	Handle-Brake	11	1-806003	8	Pin-Cotter, Hair
2	63-2650	1	Screw-Shoulder	12	3256-23	4	Washer-Flat
3	115-5071-03	1	Brake-Bellcrank	13	1-603807	2	Spring-Return, Neutral
4	115-5074	1	Link-Brake	14	3272-11	2	Pin-Cotter
5	117-7322	1	Rod-Brake, LH	15	3256-27	2	Washer-Flat
6	117-7323	1	Rod-Brake, RH	16	40-1940	2	Washer
7	115-9681	2	Fitting-Rod	17	32144-70	4	Screw-HWHTF
8	1-633268	1	Grip-Lever	18	3234-47	2	Screw-HHF
9	104-8300	5	Nut-Flange, NI	19	106-9758	2	Screw-CARR
10	256-292	2	Bushing-Flange, NI				



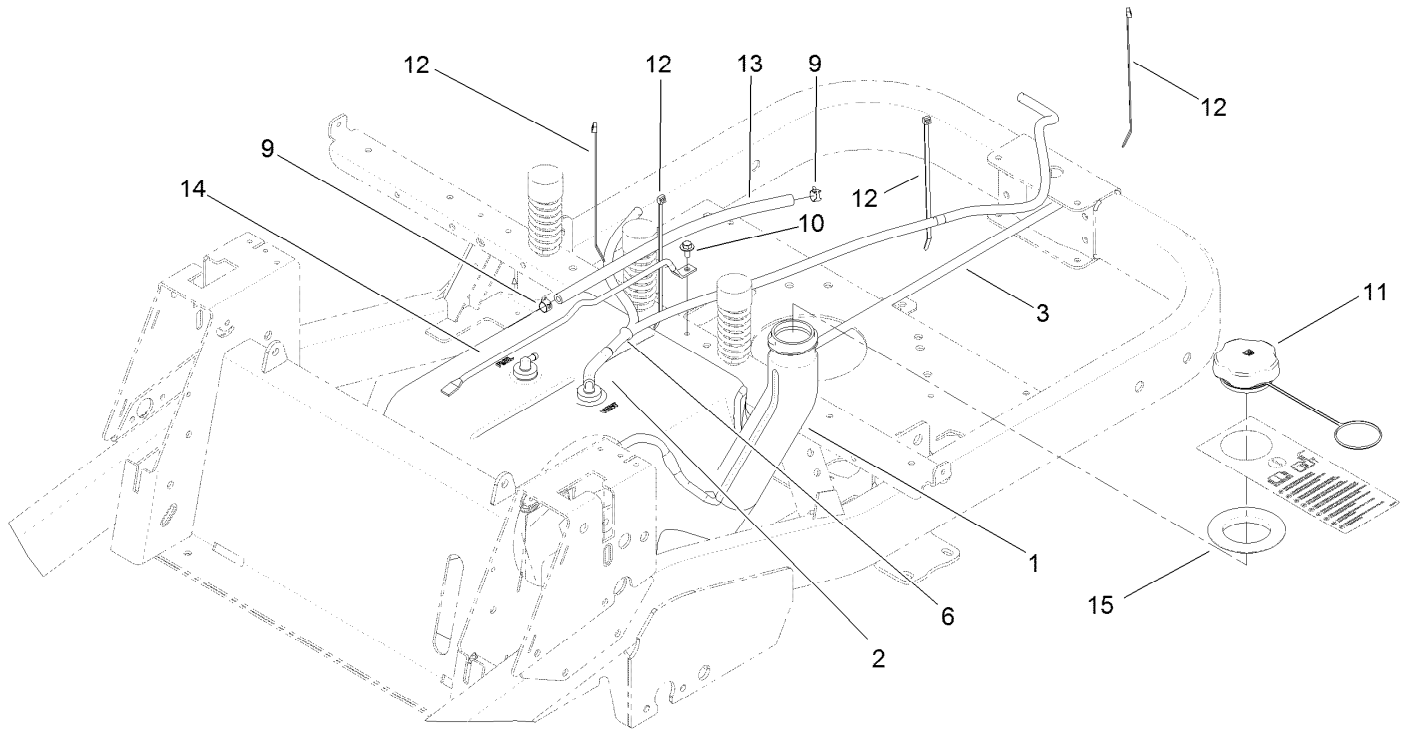
Engine, Muffler and Clutch Assembly

Ref.	Part Number	Qty.	Description
1		1	Engine Kawasaki, Fr691V-S50-R ●■
1:1	1-653313	2	Gasket-Exhaust
1:2	114-3549	4	Nut
1:3	114-3550	4	Washer-Lock, Spring
3	117-7465	1	Muffler-Kawasaki Twin
4	115-2568	1	Pulley-Engine
5	117-7344-03	1	Bracket-Stop, PTO
6	117-1252	1	Clutch-PTO

Ref.	Part Number	Qty.	Description
8	3212-11	1	Screw-HH
9	323-50	4	Bolt-HH
10	117-7335-03	1	Tube-Stiffener
11	104-8300	1	Nut-Flange, NI
12	104-8301	3	Nut-Flange, NI
14	110-9981	1	Washer-Plain
15	3234-47	1	Screw-HHF
16	106-7022	1	Tube-Drain, Oil
17	323-6	3	Screw-HH

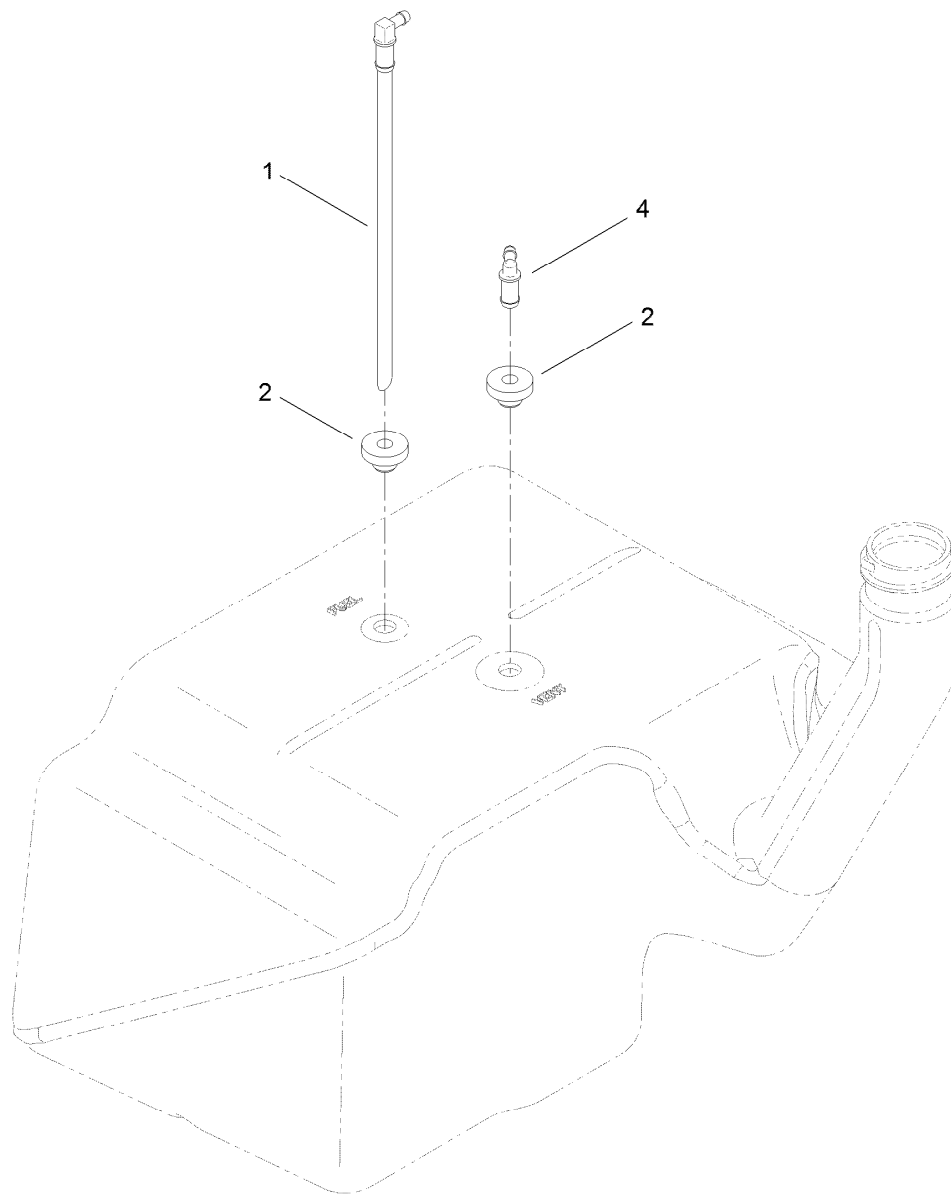
● Not serviced separately

■ Obtain parts from www.kawpowerpc.com



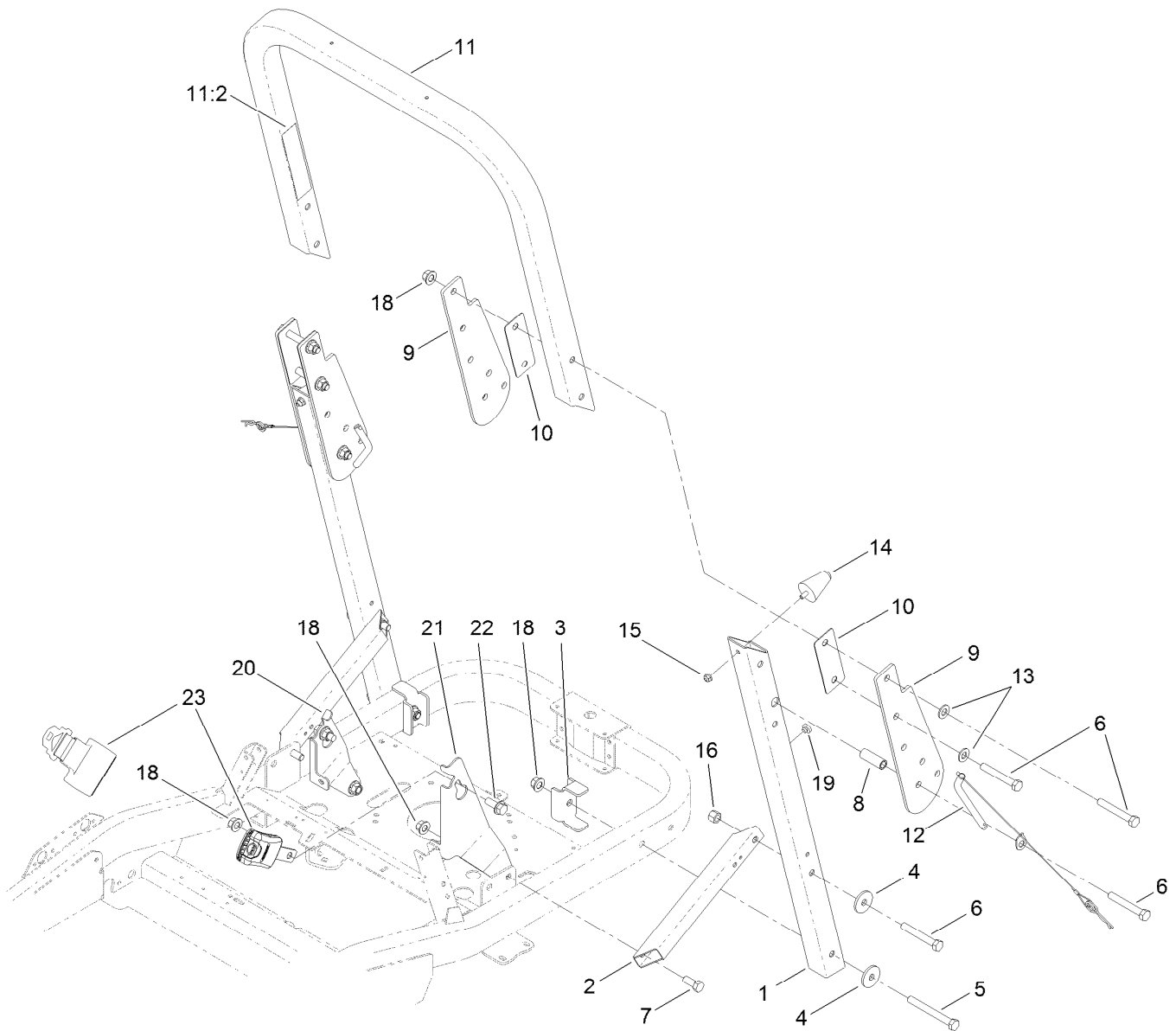
Fuel Delivery Assembly

<i>Ref.</i>	<i>Part Number</i>	<i>Qty.</i>	<i>Description</i>
1	117-7352	1	Multi Layer Fuel Tank ASM
2	114-3765	1	Hose-Fuel
3	51-3212	1	Hose-Fuel
6	121-0743	1	Adapter-Orifice
9	2412-98	2	Clamp-Hose
10	46-8560	1	Screw-HHFTF
11	125-1847	1	Cap-Fuel
12	614249	2	Tie-Cable
13	107-0589	1	Hose-Fuel
14	115-2620	1	Rod-Tank, Gas
15	117-1298	1	Seal-Tank



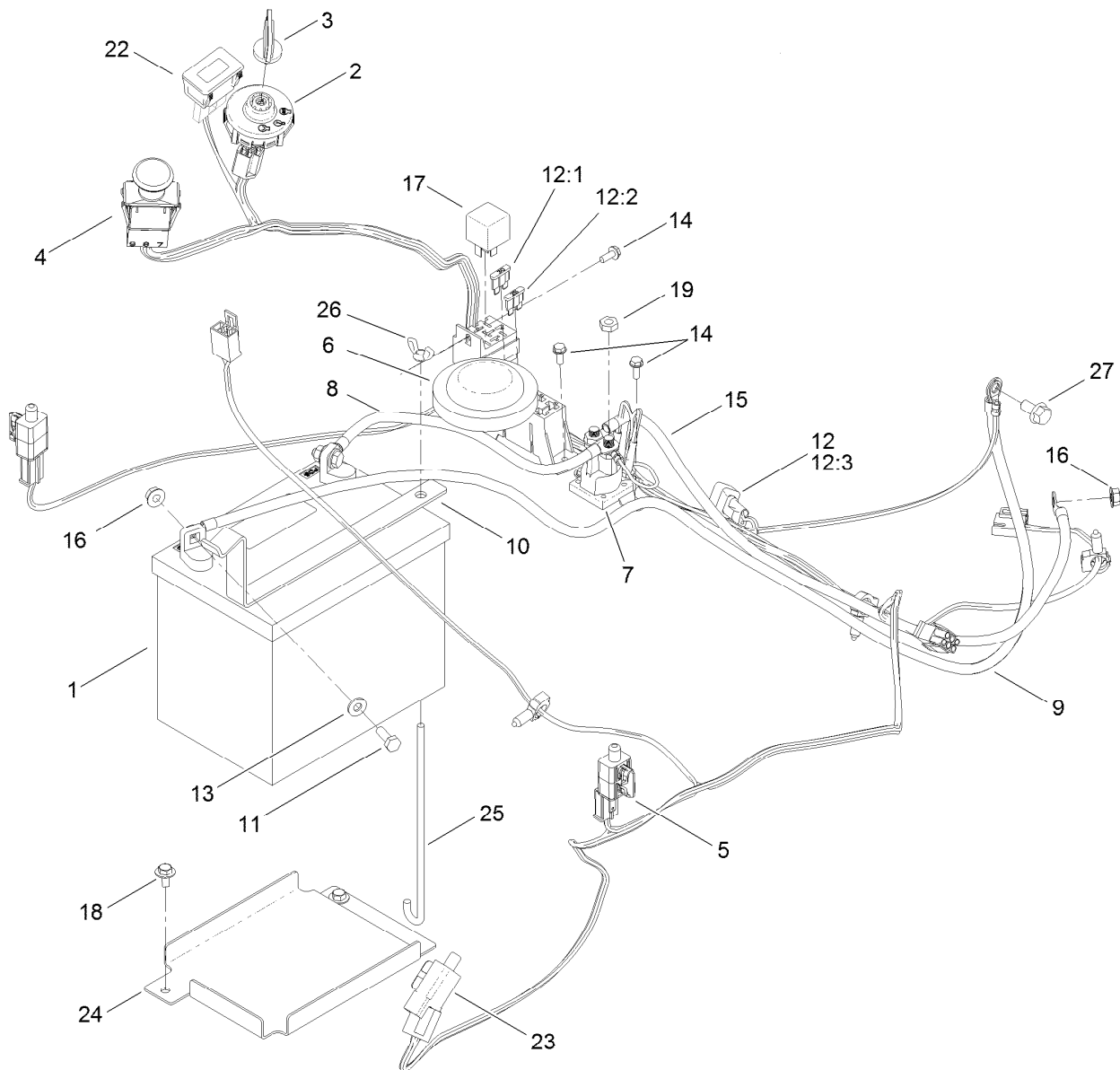
Multi Layer Fuel Tank Assembly No. 117-7352

<i>Ref.</i>	<i>Part Number</i>	<i>Qty.</i>	<i>Description</i>
1	121-0793	1	Connector-Elbow, 90 DEG
2	46-6560	2	Bushing
4	117-7400	1	Fitting-Plastic



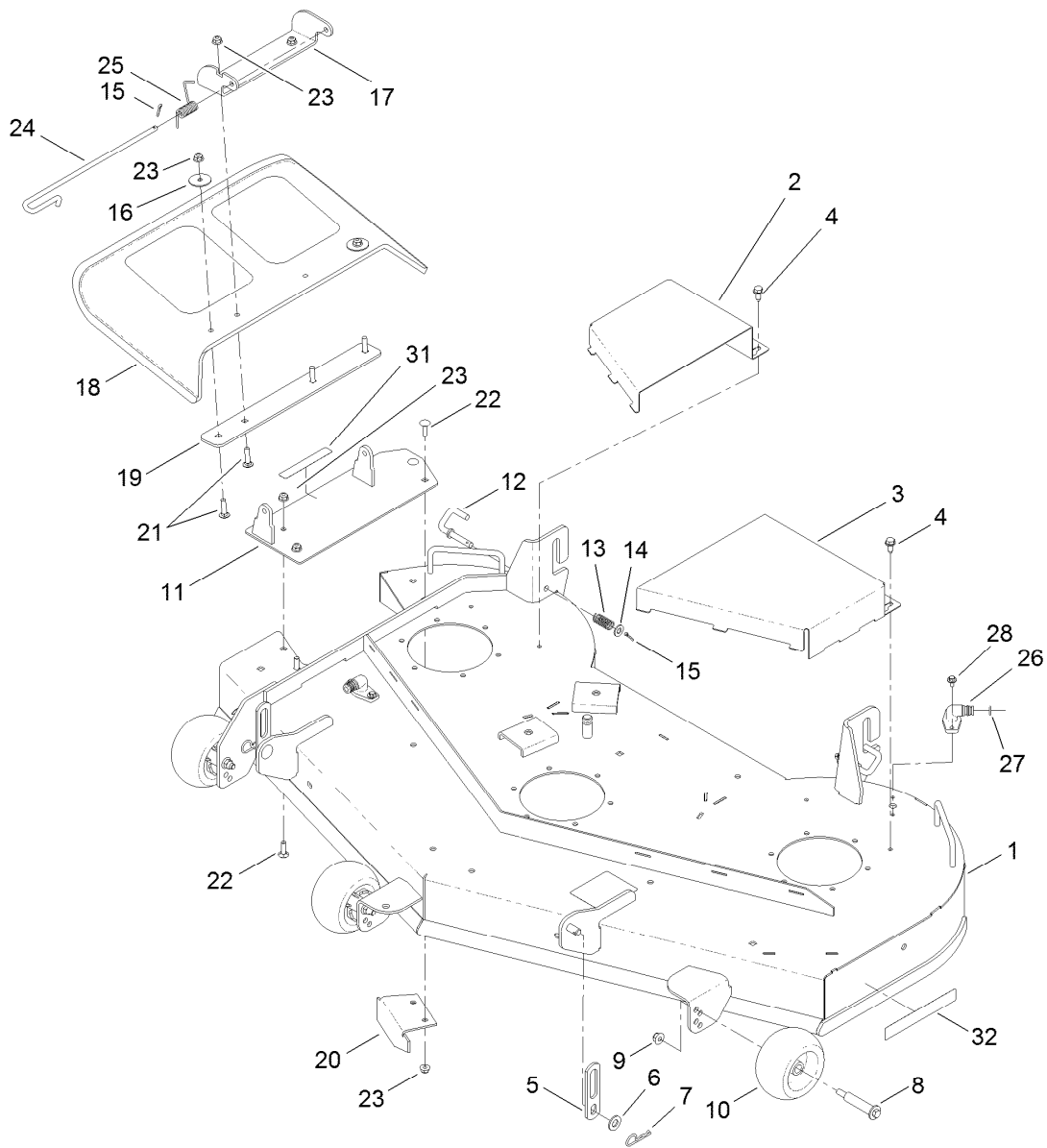
Roll-Over Protection System Assembly

<i>Ref.</i>	<i>Part Number</i>	<i>Qty.</i>	<i>Description</i>
1	121-2986-03	2	Tube-ROPS, Lower
2	115-4962-03	2	Tube-Support, ROPS
3	115-4963-03	2	Bracket-Reinforcing
4	84-1560	4	Washer-Thrust
5	325-18	2	Screw-HH
6	325-14	8	Screw-HH
7	325-5	2	Screw-HH
8	109-6653	2	Spacer
9	119-8911-03	4	Bracket-Pivot, ROPS
10	119-8926-03	4	Spacer-ROPS
11	119-8991	1	Upper ROPS ASM
11:2	107-3069	1	Decal-Warning, Folding ROPS
12	119-8970	2	Pin-ROPS
13	3256-26	4	Washer-Flat
14	114-1925	2	Bumper-Rubber
15	104-8300	2	Nut-Flange, NI
16	119-8969	2	Nut-Hex
18	99-5107	10	Nut-Lock
19	1-513658	2	Bumper
20	115-5038-03	1	Bracket-Seat Belt
21	115-5060-03	1	Bracket-Seat Belt
22	3234-38	2	Screw-HHF
23	109-9805	1	Seat Belt Kit



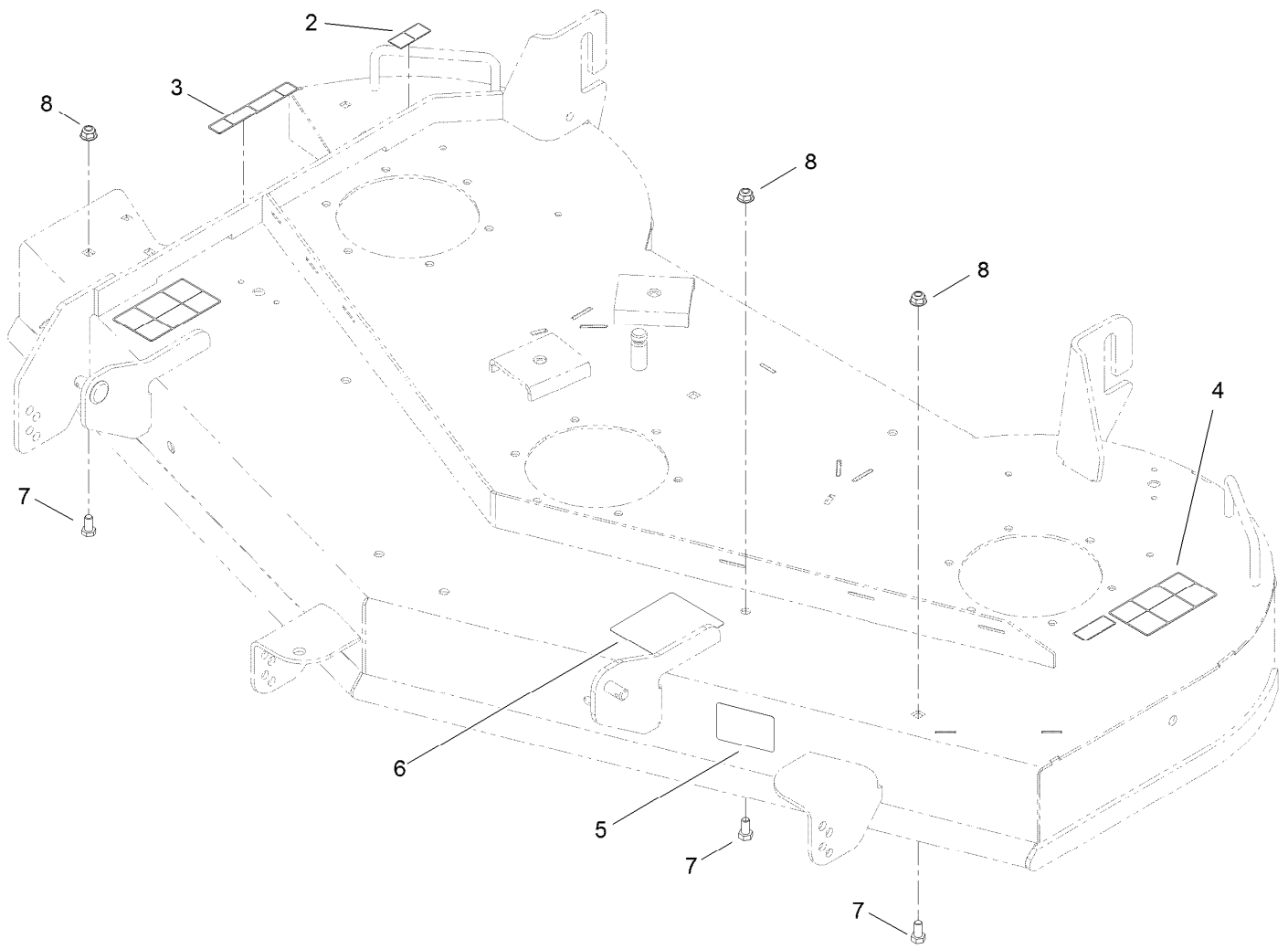
Electrical Assembly

<i>Ref.</i>	<i>Part Number</i>	<i>Qty.</i>	<i>Description</i>	<i>Ref.</i>	<i>Part Number</i>	<i>Qty.</i>	<i>Description</i>
1	105-1692	1	Battery	12:3	100-4918	1	Diode
2	117-2221	1	Switch-Ignition	13	3256-22	2	Washer-Flat
3	63-8360	1	Key-Ignition (W/Shield)	14	32144-1	5	Screw-Taptite
4	103-5221	1	Switch-PTO	15	92-6989	1	Wire-21 Inch
5	110-6765	2	Switch-Single Pole No	16	32128-33	3	Nut-HF
6	100-3524	1	Switch-Seat	17	98-7249	1	Relay
7	117-1197	1	Solenoid	18	46-8560	2	Screw-HHFTF
8	117-5342	1	Cable-Battery, Positive	19	3220-2	2	Nut-Jam
9	117-7240	1	Cable-Battery, Negative	22	120-2244	1	Hourmeter
10	117-7313-01	1	Strap-Battery	23	99-7408	1	Switch-Reverse
11	321-4	2	Screw-HH	24	117-1283-03	1	Tray-Battery
12	121-3015	1	Harness-Wire	25	1-633651	1	Bolt-Holddown
12:1	109103	1	Fuse-Blade, 30 Amp	26	1-543792	1	Wingnut
12:2	109102	1	Fuse-Blade, 25 Amp	27	33104-016	1	Screw-HHF



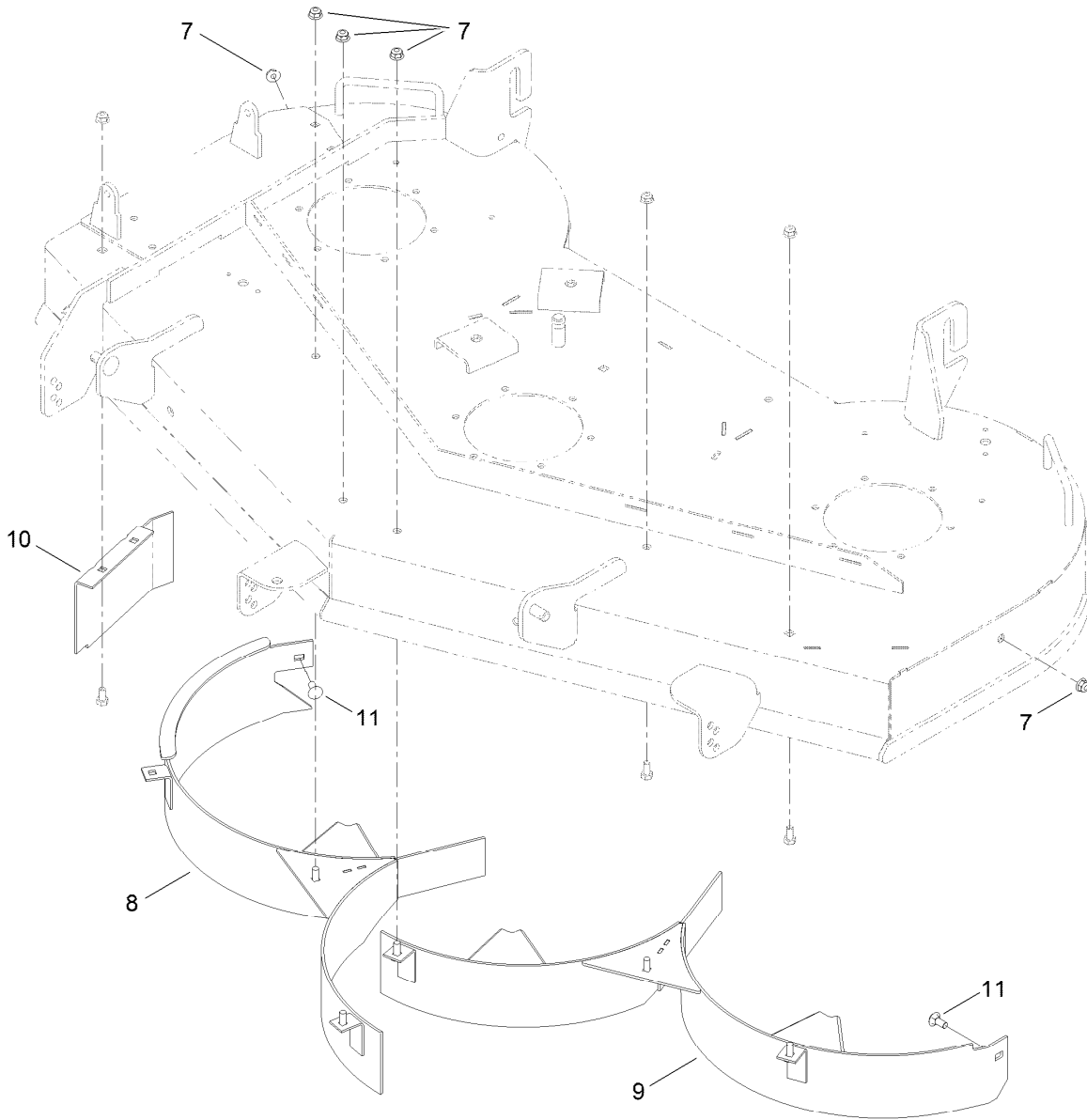
54 Inch Deck Assembly

<i>Ref.</i>	<i>Part Number</i>	<i>Qty.</i>	<i>Description</i>	<i>Ref.</i>	<i>Part Number</i>	<i>Qty.</i>	<i>Description</i>
1	117-5374	1	54 Inch Deck ASM	16	3256-68	2	Washer-Flat
2	117-7404-03	1	Cover-Belt, RH	17	114-1648-03	1	Bracket-Deflector, Upper
3	117-7405-03	1	Cover-Belt, LH	18	117-1270	1	Deflector-Molded
4	32144-70	4	Screw-HWHTF	19	115-5048-03	1	Plate-Deflector
5	115-2622	2	Link-Lift	20	115-9653-03	1	Baffle-Cutoff
6	3256-26	2	Washer-Flat	21	3230-3	4	Screw-CARR
7	1-806005	2	Pin-Hair	22	3230-22	4	Screw-CARR
8	112-3977	3	Bolt-Shoulder	23	104-8300	8	Nut-Flange, NI
9	104-8301	3	Nut-Flange, NI	24	109-8854	1	Pin-Chute
10	1-603299	3	Roller-Scalp, Anti	25	121-2983	1	Spring-Torsion
11	117-1282-03	1	Plate-Cover	26	95-2747	2	Fitting-Washout
12	115-2470	2	Pin-Latch	27	46-6290	2	O-Ring, Seal
13	101853	2	Spring-Compression	28	46-8560	4	Screw-HHFTF
14	3256-24	2	Washer-Flat	31	93-7009	1	Decal-Danger, Deflector
15	3272-10	3	Pin-Cotter	32	119-2368	1	Decal-Recycler



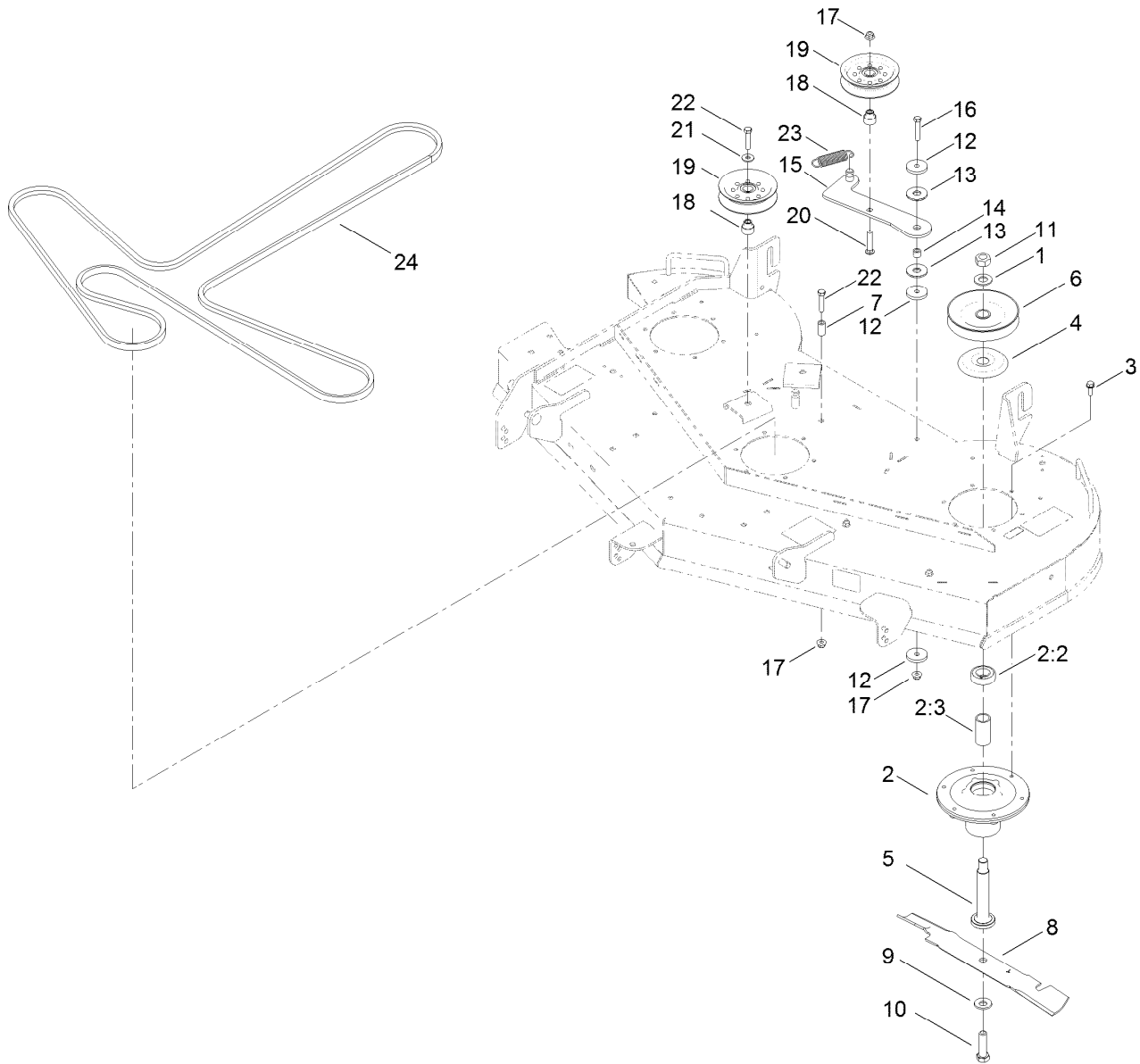
54 Inch Deck and Decal Assembly No. 117-5374

<i>Ref.</i>	<i>Part Number</i>	<i>Qty.</i>	<i>Description</i>
2	114-1606	2	Decal-Danger, Pulley
3	93-7009	1	Decal-Danger, Deflector
4	110-6691	2	Decal-Danger
5	112-9840	1	Decal-Scalp, Anti
6	117-1194	1	Decal-Routing, Belt
7	322-2	3	Screw-HH
8	104-8300	3	Nut-Flange, NI



54 Inch Deck Baffle and Guard Assembly

<i>Ref.</i>	<i>Part Number</i>	<i>Qty.</i>	<i>Description</i>
7	104-8300	5	Nut-Flange, NI
8	115-9673-03	1	Baffle-Recycler, RH
9	115-9674-03	1	Baffle-Recycler, LH
10	117-7213-03	1	Guard-Baffle
11	3230-1	2	Bolt-CARR



Deck, Belt and Mulch Blade Assembly

Ref.	Part Number	Qty.	Description	Ref.	Part Number	Qty.	Description
1	7-4150	3	Washer	12	110-9981	3	Washer-Plain
2	120-5477	3	Spindle ASM	13	114-0463	2	Washer-Friction, Composite
2:2	116-0720	2	Bearing-Ball	14	1-413088	1	Bushing-Lever, Lift
2:3	115-2641	1	Spacer-Bearing	15	115-5054	1	Idler Arm ASM
3	32144-41	18	Screw-Taptite	16	323-10	1	Screw-HH
4	117-7210	3	Shield-Bearing	17	104-8301	3	Nut-Flange, NI
5	115-2642	3	Shaft-Spindle	18	115-2577	3	Bushing-Idler
6	115-5018	3	Pulley	19	116-3626	3	Pulley-Idler
7	1-603401	1	Spacer-Fender	20	3231-6	1	Screw-CARR
8	115-4999-03	3	Blade-Mulch, 18.75 Inch	21	80-6990	2	Washer-Hardened
9	125-1736	3	Washer-Belleville	22	323-9	3	Screw-HH
10	51-4060	3	Screw-Blade	23	108-4056	1	Spring-Extension
11	3219-7	3	Nut-Hex	24	115-4971	1	V-Belt

Attachments and Accessories

For 74924 TITAN ZX5420 Zero-Turn-Radius Riding Mower

Product Name	Model/Part
Step Kit	117-5316
Light Kit.....	117-5317
54in/60in Striping Kit.....	117-5319
Leaf Bagging Enhancement Kit	117-7202
Transport Seat Hold Down Kit.....	117-7251
54in Bagger Finishing Kit, 2012 and After TITAN and TimeCutter MX Series Riding Mower.....	121-5663
Hitch Kit	79014
Bagger	79328

Notes:

Notes:

Notes:



Count on it.