



Count on it.

Parts Catalog

XL 380

Lawn Tractor

Model No. 71427—Serial No. 25000001 and Up



Ordering Replacement Parts

To order replacement parts, please supply the part number, the quantity, and the description of each part desired.

Understanding Reference Numbers

Each identified part in an illustration has a reference number. The reference number for a part also appears in the parts list, along with other information about the part.

This catalog uses two special reference number formats, one to indicate parts in a service assembly and another to indicate the quantity of a given part in an illustration.

Service Assembly Reference Numbers

Parts in service assemblies have reference numbers in the form a:b. The a represents the reference number of the entire service assembly and the b represents a sequential number unique to each part within the service assembly.

For example, a wheel assembly might be identified by reference number 6, the tire by 6:1, the valve by 6:2, and the wheel by 6:3. When you order the assembly identified by reference number 6, you receive all parts identified by reference numbers 6:1, 6:2, and 6:3. However, you may also order any part individually. Reference numbers of this type appear in illustration and in parts lists.

Reference Numbers Indicating Quantity

In an illustration, if a reference number indicates more than one part, the reference number has the form nX y. The n represents the quantity of the part, the X is the multiplication symbol, and the y represents the reference number.

For example, in an illustration, the reference number 2X 37 means that two of the parts identified by reference number 37 are indicated.

List of Abbreviations

AR: as required

ASM: assembly

BBC: blade brake control

BHTF: button head thread forming

CARR: carriage

CCW: counter clockwise

CW: clockwise

DEG: degrees

DPA: Dual Point Adjustment

ECM: electronic control module

EXT: external

FH: flat head

GA: gauge

HD: heavy-duty

HF: hex flange

HH: hex head

HHF: hex head flange

HHFTF: hex head flange thread forming

HJ: hex jam

HLH: hex lag head

HOC: height-of-cut

HSBH: hex socket button head

HSFH: hex socket flat head

HSH: hex socket head

HWH: hex washer head

HWHTF: hex washer head thread forming

HYD: hydraulic

LH: left hand

LP: Liquefied Petroleum Gas

LPG: Liquefied Petroleum Gas

NI: nylon insert

NPTF: national pipe thread fine

PFH: phillips flat head

PPH: phillips pan head

PPHTF: phillips pan head thread forming

PRH: phillips round head

PTH: phillips truss head

PTO: power-take-off

RH: right hand

ROPS: roll-over protection system

RRB: rear roller brush

SFH: slotted fillister head

SHH: slotted hex head

SHWH: slotted hex washer head

SPH: slotted pan head

SQH: square head

SRH: slotted round head

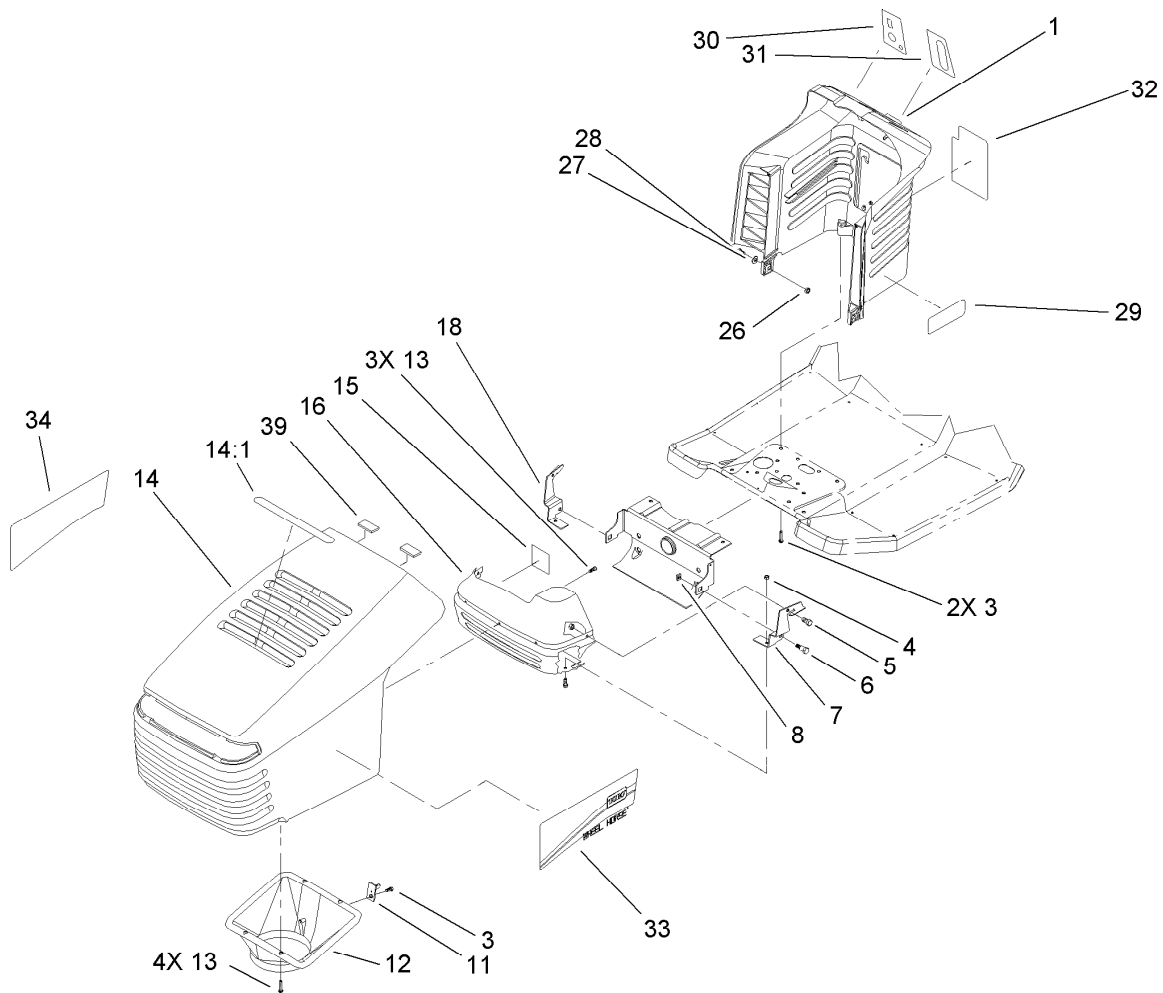
STD: standard

TAP: self tapping

TTH: torx truss head

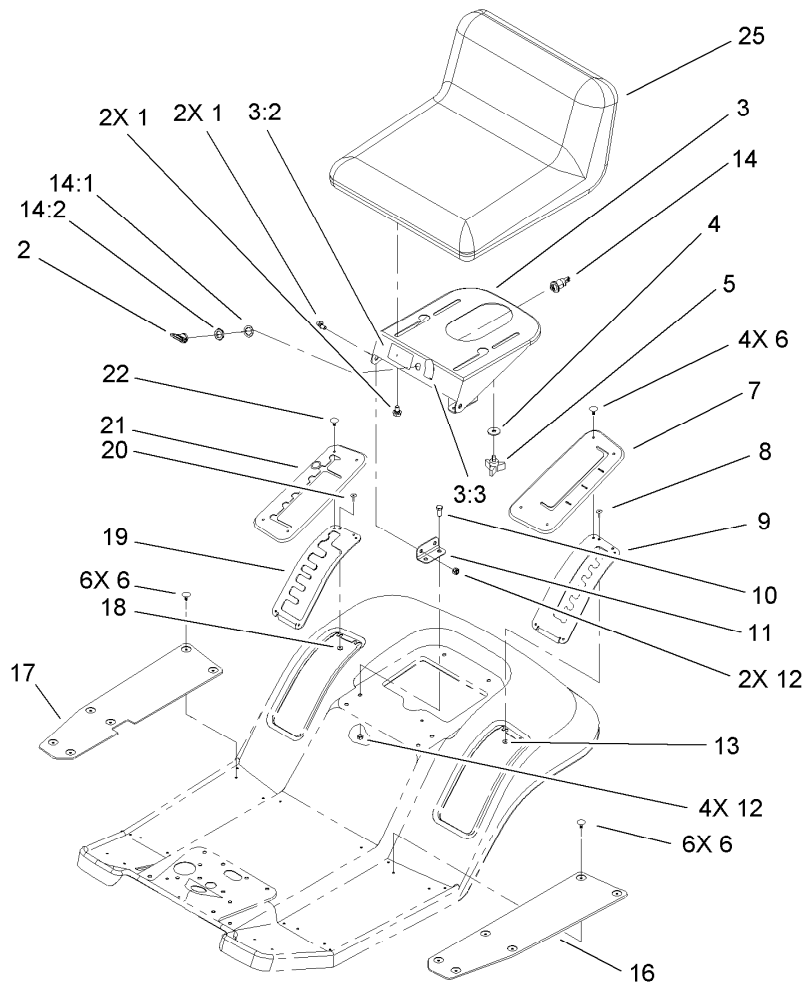
Contents

| | |
|---|----|
| Frame and Body Assembly | 4 |
| Hood and Tower Assembly | 5 |
| Rear Body and Seat Assembly | 6 |
| Steering Assembly | 7 |
| Fixed Steering Assembly | 8 |
| Engine Assembly | 9 |
| Traction Clutching Assembly | 10 |
| Shift Assembly | 11 |
| 5 Speed Transaxle Assembly | 12 |
| 38in Deck Assembly | 13 |
| 38in Deck Blade Drive Assembly | 14 |
| 38in Deck Engagement Assembly | 15 |
| Height-of-Cut Component Assembly | 16 |
| Electrical Assembly | 17 |
| Cylinder Assembly Briggs and Stratton 286H77-0165-E1 | 18 |
| Cylinder Head Assembly Briggs and Stratton 286H77-0165-E1 | 19 |
| Crankshaft Assembly Briggs and Stratton 286H77-0165-E1 | 20 |
| Crankcase Assembly Briggs and Stratton 286H77-0165-E1 | 21 |
| Oil Filter, Tube and Pump Assembly Briggs and Stratton 286H77-0165-E1 | 22 |
| Carburetor Assembly Briggs and Stratton 286H77-0165-E1 | 23 |
| Governor Assembly Briggs and Stratton 286H77-0165-E1 | 24 |
| Blower Housing Assembly Briggs and Stratton 286H77-0165-E1 | 25 |
| Starter Assembly Briggs and Stratton 286H77-0165-E1 | 26 |
| Gasket Assembly Briggs and Stratton 286H77-0165-E1 | 27 |
| Carburetor Overhaul Kit Briggs and Stratton 286H77-0165-E1 | 28 |
| Attachments and Accessories | 29 |



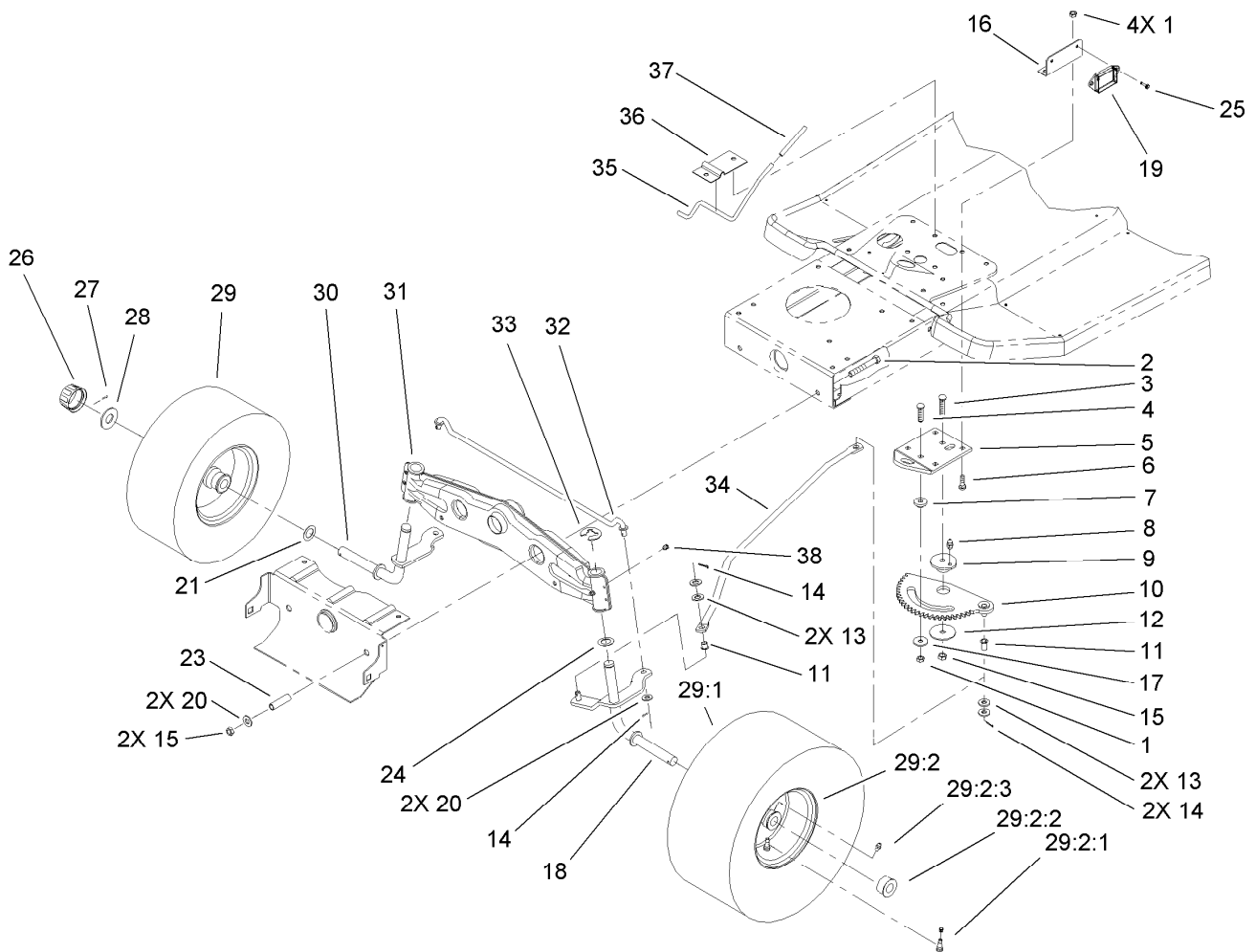
Hood and Tower Assembly

| <i>Ref.</i> | <i>Part Number</i> | <i>Qty.</i> | <i>Description</i> | <i>Ref.</i> | <i>Part Number</i> | <i>Qty.</i> | <i>Description</i> |
|-------------|--------------------|-------------|------------------------|-------------|--------------------|-------------|------------------------|
| 1 | 107-4920 | 1 | Tower-Steering | 16 | 93-3864-03 | 1 | Shield-Heat |
| 3 | 46-8091 | 3 | Screw-HWH | 18 | 88-6040-03 | 1 | Bracket-Pivot, RH Hood |
| 4 | 3296-42 | 4 | Nut-Lock, NI | 26 | 3296-29 | 2 | Nut-Lock, NI |
| 5 | 321-2 | 4 | Screw-HH | 27 | 3256-23 | 2 | Washer-Flat |
| 6 | 28-0540 | 2 | Bolt-Shoulder | 28 | 322-3 | 2 | Screw-HH |
| 7 | 88-6050-03 | 1 | Bracket-Pivot, LH Hood | 29 | 108-7803 | 2 | Decal |
| 8 | 3290-496 | 2 | Nut-Retainer | 30 | 99-8139 | 1 | Decal |
| 11 | 94-1984 | 1 | Latch-Pin | 31 | 92-2461 | 1 | Decal |
| 12 | 93-3891 | 1 | Duct-Air, Hood | 32 | 107-4921 | 1 | Decal-Danger |
| 13 | 46-8090 | 7 | Screw-Plastite | 33 | 105-2497 | 1 | Decal-Hood |
| 14 | 92-8650 | 1 | Hood ASM | 34 | 105-2496 | 1 | Decal-Hood |
| 14:1 | 92-5748 | 1 | Decal-Air Duct | 39 | 94-1980 | 2 | Foam-Hood |
| 15 | 92-5782 | 3 | Tape-Foil | | | | |



Rear Body and Seat Assembly

| <i>Ref.</i> | <i>Part Number</i> | <i>Qty.</i> | <i>Description</i> | <i>Ref.</i> | <i>Part Number</i> | <i>Qty.</i> | <i>Description</i> |
|-------------|--------------------|-------------|-------------------------|-------------|--------------------|-------------|------------------------|
| 1 | 37-8770 | 4 | Bolt-Shoulder | 12 | 3296-29 | 6 | Nut-Lock, NI |
| 2 | 63-8360 | 1 | Key-Ignition (W/Shield) | 13 | 3269-26 | 2 | Washer-Plain |
| 3 | 106-6436 | 1 | Seat Support ASM | 14 | 46-5780 | 1 | Starter Switch ASM |
| 3:2 | 99-2985 | 1 | Decal-Danger | 14:1 | 3254-5 | 1 | Washer-Tooth, Internal |
| 3:3 | 99-5339 | 1 | Decal | 14:2 | 218-461 | 1 | Nut-HH |
| 4 | 5-4460 | 2 | Washer-Pivot | 16 | 88-5240 | 1 | Mat-Foot, LH |
| 5 | 92-9674 | 2 | Knob | 17 | 88-5220 | 1 | Mat-Foot, RH |
| 6 | 3290-479 | 16 | Fastener-Panel | 18 | 3269-26 | 2 | Washer-Plain |
| 7 | 88-5170 | 1 | Cover-HOC | 19 | 88-5020-03 | 1 | Plate-Gate, Shift |
| 8 | 3290-282 | 2 | Rivet-Blind | 20 | 3290-282 | 2 | Rivet-Blind |
| 9 | 88-5030-03 | 1 | Gate-HOC | 21 | 88-5160 | 1 | Cover-Gate, Shift |
| 10 | 322-3 | 4 | Screw-HH | 22 | 3290-479 | 4 | Fastener-Panel |
| 11 | 88-4820-03 | 2 | Bracket-Pivot, Seat | 25 | 106-6439 | 1 | Seat-11 Inch |

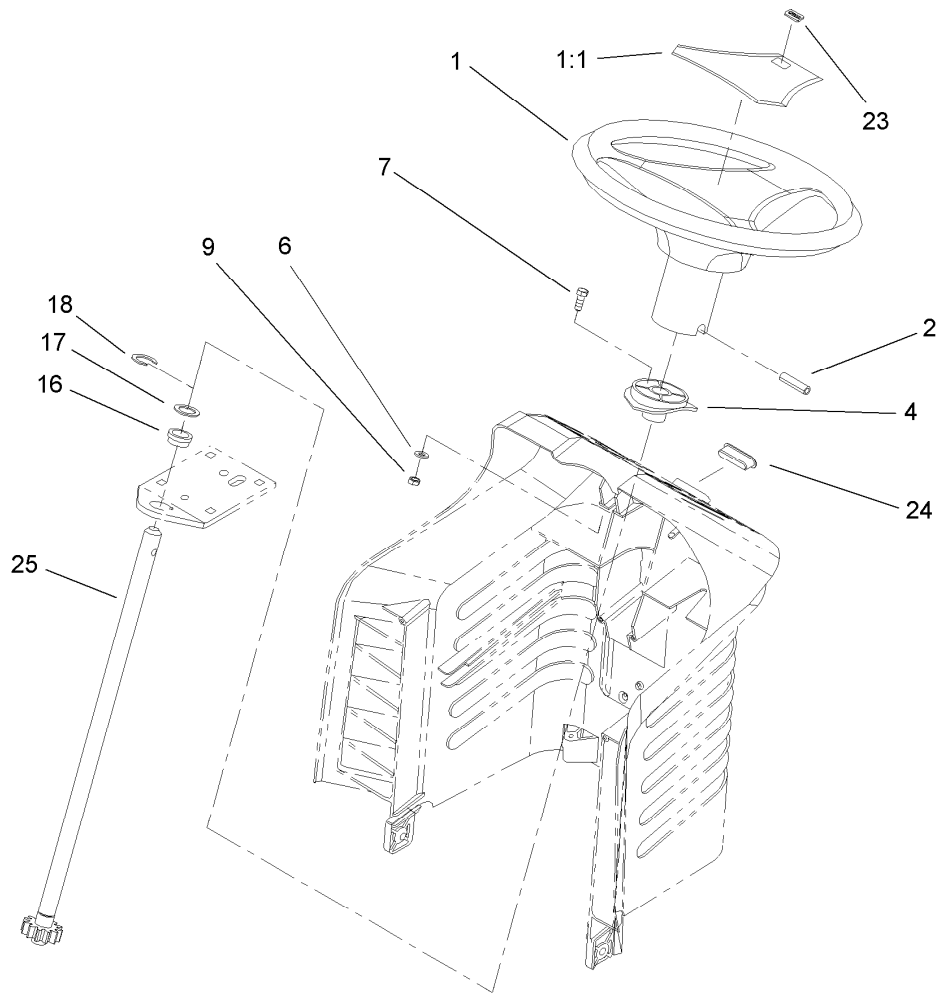


Steering Assembly

| Ref. | Part Number | Qty. | Description | Ref. | Part Number | Qty. | Description |
|------|-------------|------|------------------------|--------|-------------|------|----------------------------|
| 1 | 3296-29 | 5 | Nut-Lock, NI | 24 | 3-6498 | 2 | Washer-Thrust |
| 2 | 323-13 | 2 | Screw-HH | 25 | 9266714 | 2 | Screw-HWH |
| 3 | 3231-4 | 1 | Screw-CARR | 26 | 61-9780 | 2 | Cap-Hub |
| 4 | 3230-3 | 1 | Screw-CARR | 27 | 3272-12 | 2 | Pin-Cotter |
| 5 | 88-5130-03 | 1 | Bracket-Rack, Steering | 28 | 28-2480 | 2 | Washer-Plain |
| 6 | 3230-2 | 4 | Bolt-CARR | 29 | | 2 | Front Wheel And Tire ASM ■ |
| 7 | 88-5010 | 1 | Spacer-Rack, Steering | 29:1 | 99-2988 | 1 | Tire |
| 8 | 302-26 | 1 | Fitting-Grease | 29:2 | 88-4370 | 1 | Rim ASM |
| 9 | 88-4670 | 1 | Bushing-Eccentric | 29:2:1 | 232-27 | 1 | Stem-Valve |
| 10 | 88-5200 | 1 | Rack-Steering | 29:2:2 | 110513 | 2 | Bearing-Wheel |
| 11 | 52-2891 | 2 | Bushing-Flanged, Nylon | 29:2:3 | 302-5 | 1 | Fitting-Grease |
| 12 | 111419 | 1 | Washer-Bearing | 29:99 | 232-39 | 1 | Tube-Inner ● |
| 13 | 3256-25 | 4 | Washer-Flat | 30 | 92-7889-03 | 1 | RH Spindle ASM |
| 14 | 3272-10 | 4 | Pin-Cotter | 31 | 99-6844-03 | 1 | Axle-Front |
| 15 | 3296-39 | 3 | Nut-Lock, NI | 32 | 88-5380 | 1 | Tie Rod-Steering |
| 16 | 99-2956-03 | 1 | Bracket-Module | 33 | 32151-48 | 2 | E-Ring |
| 17 | 5-4460 | 1 | Washer-Pivot | 34 | 88-4830 | 1 | Link-Drag |
| 18 | 92-7890-03 | 1 | LH Spindle ASM | 35 | 88-5510 | 1 | Rod-Brake, Parking |
| 19 | 99-3701 | 1 | Module-Clutch | 36 | 88-5520-03 | 1 | Bracket-Parking Brake |
| 20 | 3256-24 | 4 | Washer-Flat | 37 | 88-0890 | 1 | Grip-Brake, Parking |
| 21 | 3-6498 | 4 | Washer-Thrust | 38 | 302-5 | 2 | Fitting-Grease |
| 23 | 88-5470 | 2 | Spacer | | | | |

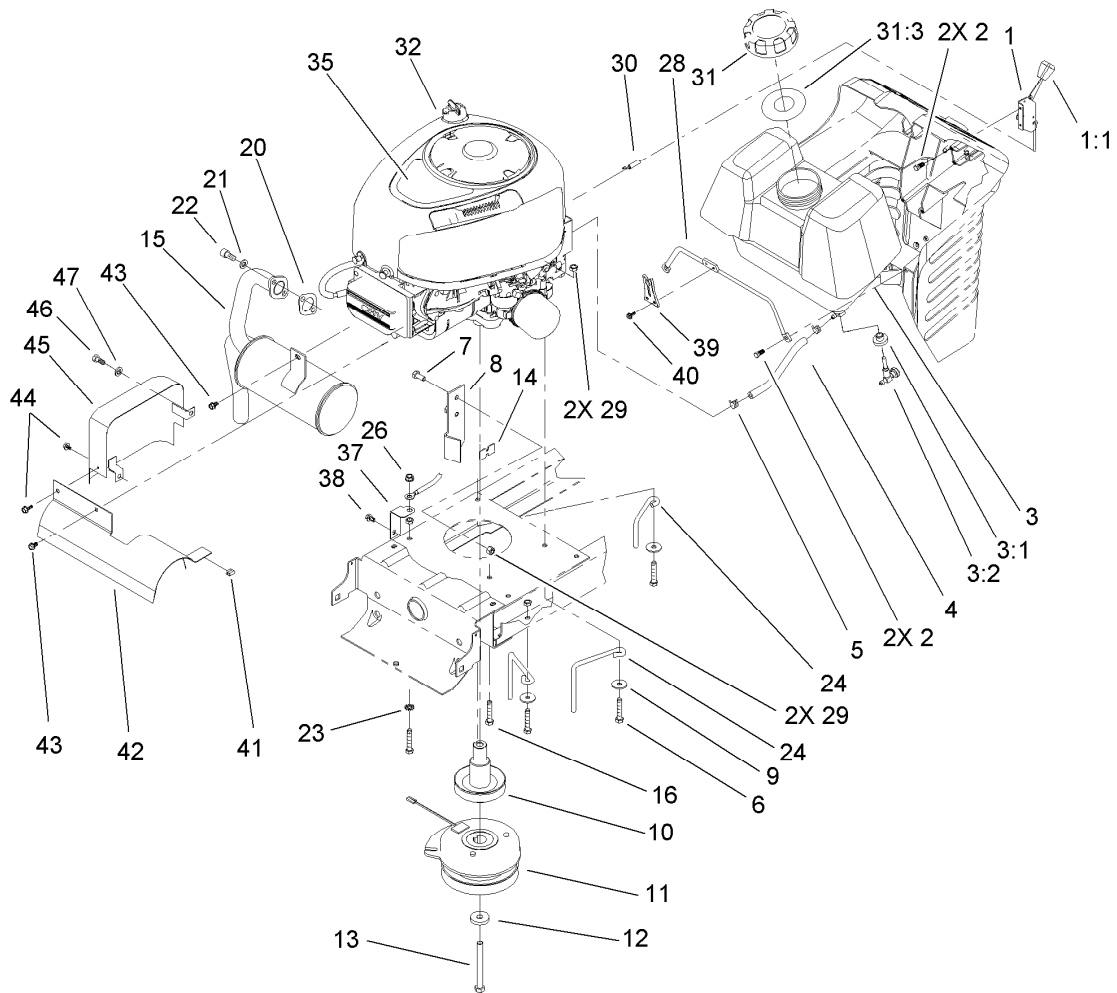
● Not illustrated

■ Not serviced separately



Fixed Steering Assembly

| <i>Ref.</i> | <i>Part Number</i> | <i>Qty.</i> | <i>Description</i> |
|-------------|--------------------|-------------|-----------------------|
| 1 | 98-1467 | 1 | Steering Wheel ASM |
| 1:1 | 98-1468 | 1 | Cover-Wheel, Steering |
| 2 | 32121-111 | 1 | Pin-Roll |
| 4 | 88-4190 | 1 | Bushing-Sliding |
| 6 | 3256-22 | 2 | Washer-Flat |
| 7 | 321-4 | 2 | Screw-HH |
| 9 | 3296-42 | 2 | Nut-Lock, NI |
| 16 | 88-5150 | 1 | Bearing-Flange |
| 17 | 3-6498 | 1 | Washer-Thrust |
| 18 | 32151-48 | 1 | E-Ring |
| 23 | 98-1459 | 1 | Decal |
| 24 | 88-4150 | 1 | Plug |
| 25 | 88-6380 | 1 | Shaft-Steering, Long |

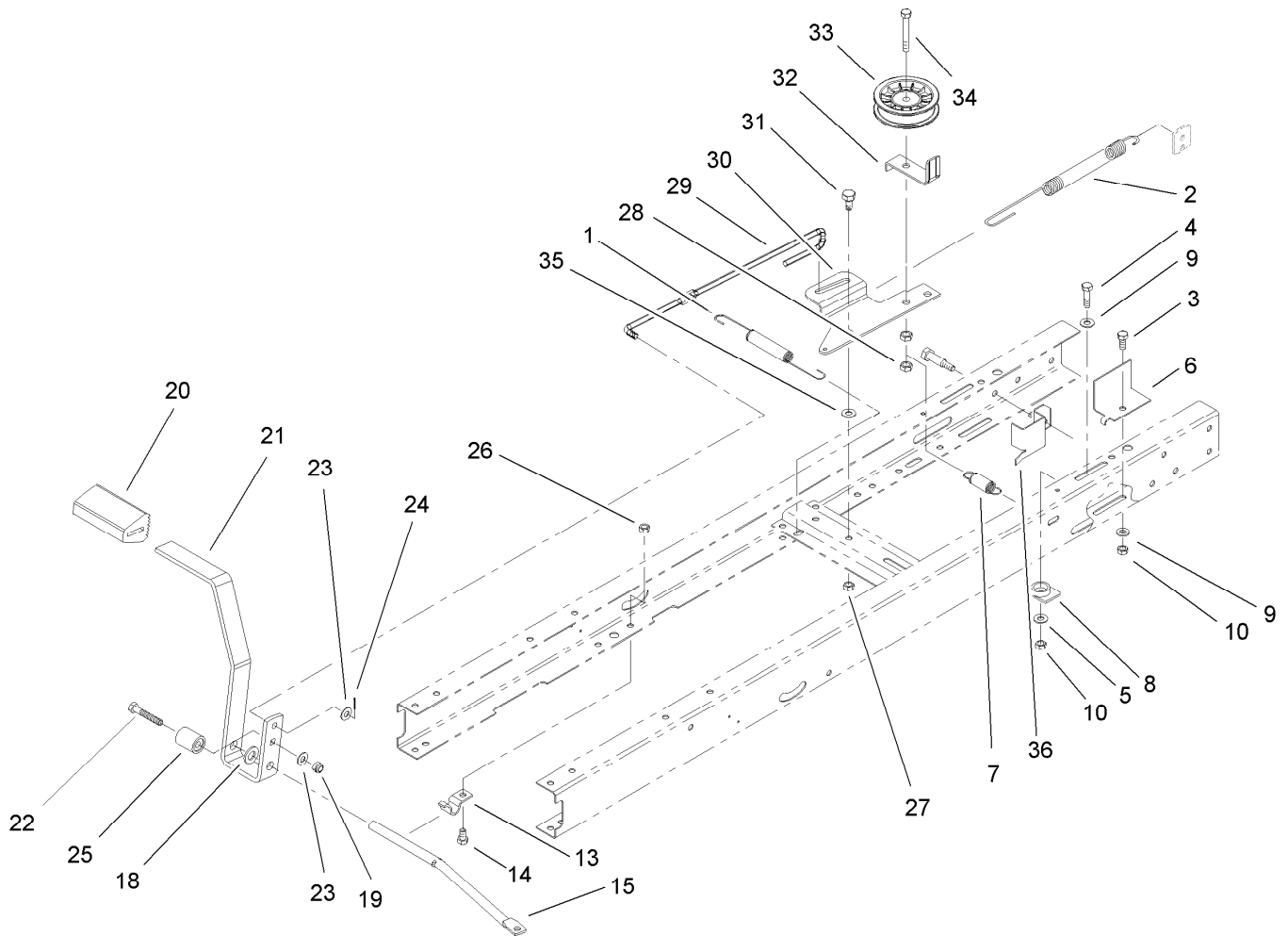


Engine Assembly

| Ref. | Part Number | Qty. | Description | Ref. | Part Number | Qty. | Description |
|------|-------------|------|----------------------|------|-------------|------|--|
| 1 | 88-4340 | 1 | Throttle Control ASM | 23 | 3255-8 | 1 | Washer-Lock |
| 1:1 | 66-0120 | 1 | Knob | 24 | 93-3855 | 2 | Guide-Belt, RH |
| 2 | 27-0220 | 4 | Screw-Special | 26 | 32149-1 | 2 | Nut-Keps |
| 3 | 88-3880 | 1 | Gas Tank ASM | 28 | 94-1952 | 1 | Rod-Tank, Gas |
| 3:1 | 46-6560 | 1 | Bushing | 29 | 3296-29 | 4 | Nut-Lock, NI |
| 3:2 | 104048 | 1 | Valve-Fuel | 30 | 88-4350 | 1 | Throttle Cable ASM |
| 4 | 47-2963 | 1 | Hose-Fuel | 31 | 88-3980 | 1 | Gas Cap ASM |
| 5 | 2412-98 | 2 | Clamp-Hose | 31:3 | 88-4010 | 1 | Gasket-Cap, Gas |
| 6 | 322-9 | 3 | Screw-HH | 32 | | 1 | Engine-Briggs & Stratton, 286H77-0165-E1 ●■ |
| 7 | 322-3 | 2 | Screw-HH | 35 | 107-4905 | 1 | Decal |
| 8 | 107-4914-03 | 1 | Stop-Clutch | 37 | 93-3809 | 1 | Bracket-Ground |
| 9 | 5-4460 | 2 | Washer-Pivot | 38 | 9266714 | 1 | Screw-HWH |
| 10 | 107-4915 | 1 | Pulley-Engine | 39 | 94-1951 | 1 | Latch-Hood |
| 11 | 108-9510 | 1 | Clutch-PTO, Electric | 40 | 32144-112 | 2 | Screw-HWH |
| 12 | 112843 | 1 | Washer | 41 | 93-3882 | 1 | Clip-Tinnerman |
| 13 | 3212-18 | 1 | Screw-HH | 42 | 93-3880-03 | 1 | Shield-Muffler |
| 14 | 98-5023 | 1 | Bumper | 43 | 9266714 | 2 | Screw-HWH |
| 15 | 94-1953 | 1 | Muffler-Exhaust | 44 | 32104-76 | 2 | Screw-Thd Cutting, HWH |
| 16 | 9267154 | 1 | Screw-HWH, Taptite | 45 | 93-8450-03 | 1 | Heat Shield ASM |
| 20 | 88-4410 | 1 | Gasket-Exhaust | 46 | 322-3 | 1 | Screw-HH |
| 21 | 3253-4 | 2 | Washer-Lock | 47 | 3253-4 | 1 | Washer-Lock |
| 22 | 3274-10 | 2 | Screw-HSH | | | | |

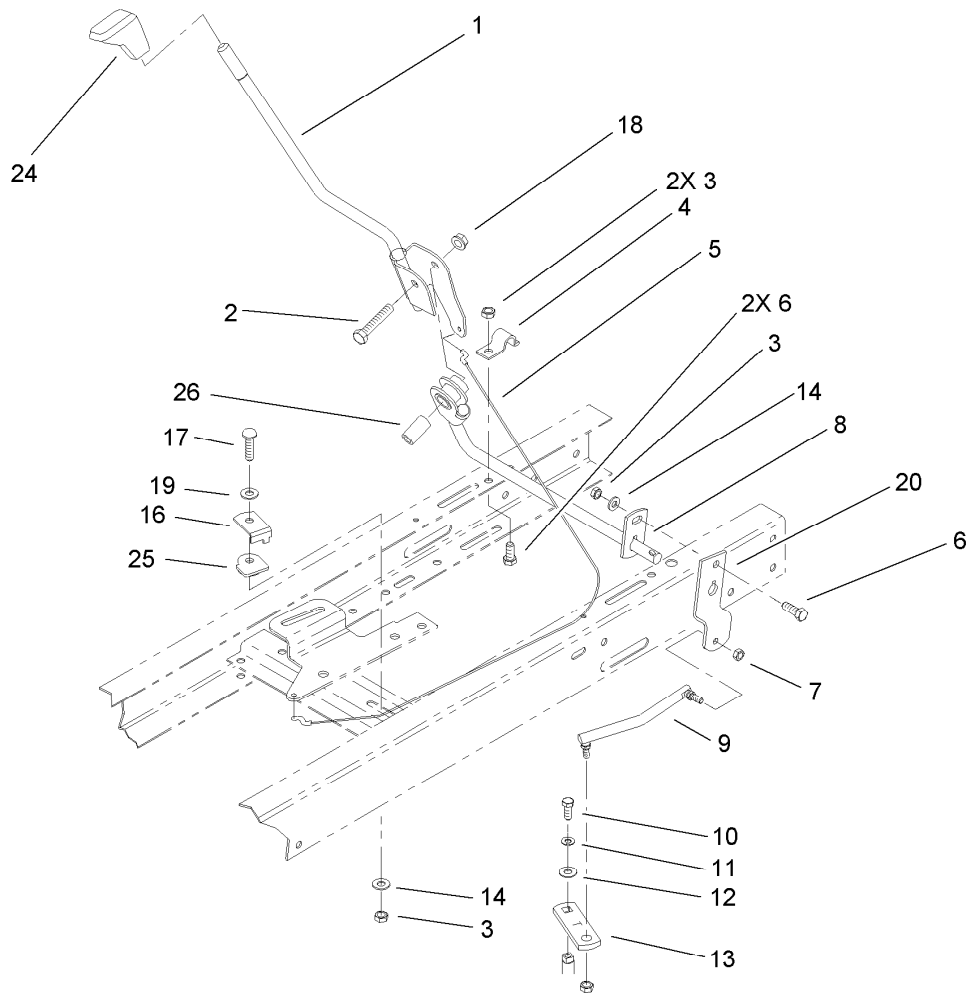
● Not serviced separately

■ Obtain parts from www.briggsandstratton.com



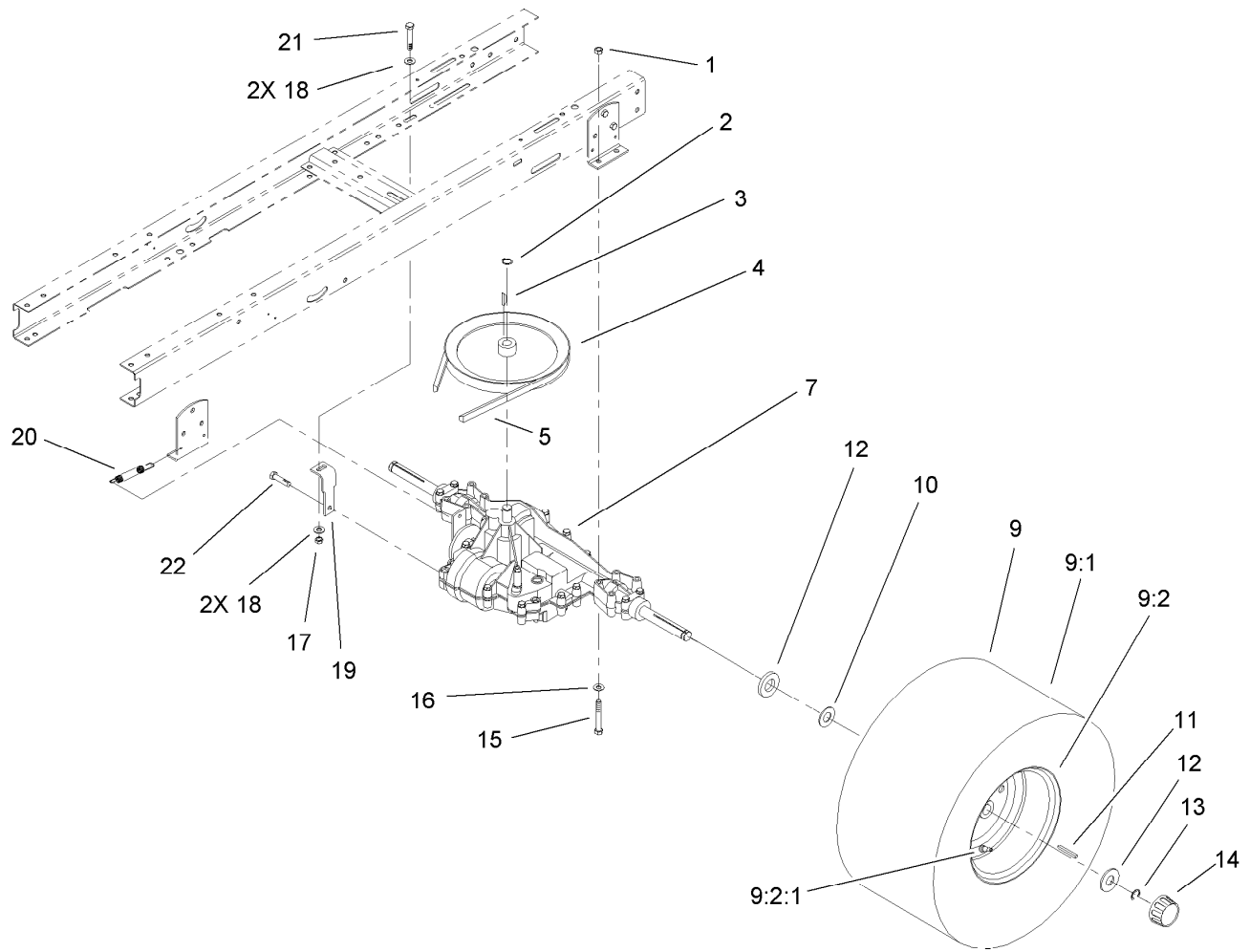
Traction Clutching Assembly

| <i>Ref.</i> | <i>Part Number</i> | <i>Qty.</i> | <i>Description</i> | <i>Ref.</i> | <i>Part Number</i> | <i>Qty.</i> | <i>Description</i> |
|-------------|--------------------|-------------|---------------------|-------------|--------------------|-------------|---------------------------|
| 1 | 27-8890 | 1 | Spring-Extension | 21 | 88-5000-03 | 1 | Pedal-Clutch/Brake, Hydro |
| 2 | 94-4294 | 1 | Spring-Brake | 22 | 322-9 | 1 | Screw-HH |
| 3 | 322-3 | 1 | Screw-HH | 23 | 3256-23 | 2 | Washer-Flat |
| 4 | 322-6 | 1 | Screw-HH | 24 | 3272-10 | 1 | Pin-Cotter |
| 5 | 5-4460 | 1 | Washer-Pivot | 25 | 99-6836 | 1 | Spacer |
| 6 | 94-5433 | 1 | Bracket-Belt, Guide | 26 | 3296-29 | 2 | Nut-Lock, NI |
| 7 | 88-6330 | 1 | Spring-Extension | 27 | 3296-29 | 1 | Nut-Lock, NI |
| 8 | 84-5610 | 1 | Guide-Cable | 28 | 3296-59 | 2 | Nut-Lock, NI |
| 9 | 3256-23 | 2 | Washer-Flat | 29 | 88-5270 | 1 | Rod-Clutch/Brake |
| 10 | 3296-29 | 2 | Nut-Lock, NI | 30 | 88-6070 | 1 | Arm-Idler |
| 13 | 88-4810 | 1 | Clamp-Pivot, Shift | 31 | 37-8770 | 1 | Bolt-Shoulder |
| 14 | 322-3 | 2 | Screw-HH | 32 | 88-5560 | 1 | Guide-Idler, Belt |
| 15 | 88-5500 | 1 | Rod-Pivot, Pedal | 33 | 104-4160 | 1 | Pulley-Idler |
| 18 | 3256-26 | 1 | Washer-Flat | 34 | 323-10 | 1 | Screw-HH |
| 19 | 3296-47 | 1 | Nut-Lock, NI | 35 | 5-4460 | 1 | Washer-Pivot |
| 20 | 65-2920 | 1 | Pad-Pedal | 36 | 94-4926 | 1 | Bracket-Belt, Guide |



Shift Assembly

| <i>Ref.</i> | <i>Part Number</i> | <i>Qty.</i> | <i>Description</i> |
|-------------|--------------------|-------------|----------------------|
| 1 | 94-1991-03 | 1 | Lever-Shift ASM |
| 2 | 323-10 | 1 | Screw-HH |
| 3 | 3296-29 | 4 | Nut-Lock, NI |
| 4 | 88-4810 | 2 | Clamp-Pivot, Shift |
| 5 | 55-9321 | 1 | Cable-Clutch |
| 6 | 322-3 | 3 | Screw-HH |
| 7 | 3296-3 | 2 | Nut-Lock |
| 8 | 94-1993-03 | 1 | Shift Pivot ASM |
| 9 | 94-5431 | 1 | Link-Shift |
| 10 | 329-23 | 1 | Screw-HH |
| 11 | 3253-3 | 1 | Washer-Lock |
| 12 | 7-5461 | 1 | Spacer |
| 13 | 88-5340 | 1 | Lever-Shift |
| 14 | 3256-23 | 2 | Washer-Flat |
| 16 | 88-5930 | 1 | Keeper-Cable |
| 17 | 3230-3 | 1 | Screw-CARR |
| 18 | 3296-39 | 1 | Nut-Lock, NI |
| 19 | 3256-25 | 1 | Washer-Flat |
| 20 | 94-1968 | 1 | Lever-Pivot, Shift |
| 24 | 94-5565 | 1 | Knob-Shift |
| 25 | 84-5610 | 1 | Guide-Cable |
| 26 | 94-1997 | 1 | Bushing-Shift, Lever |

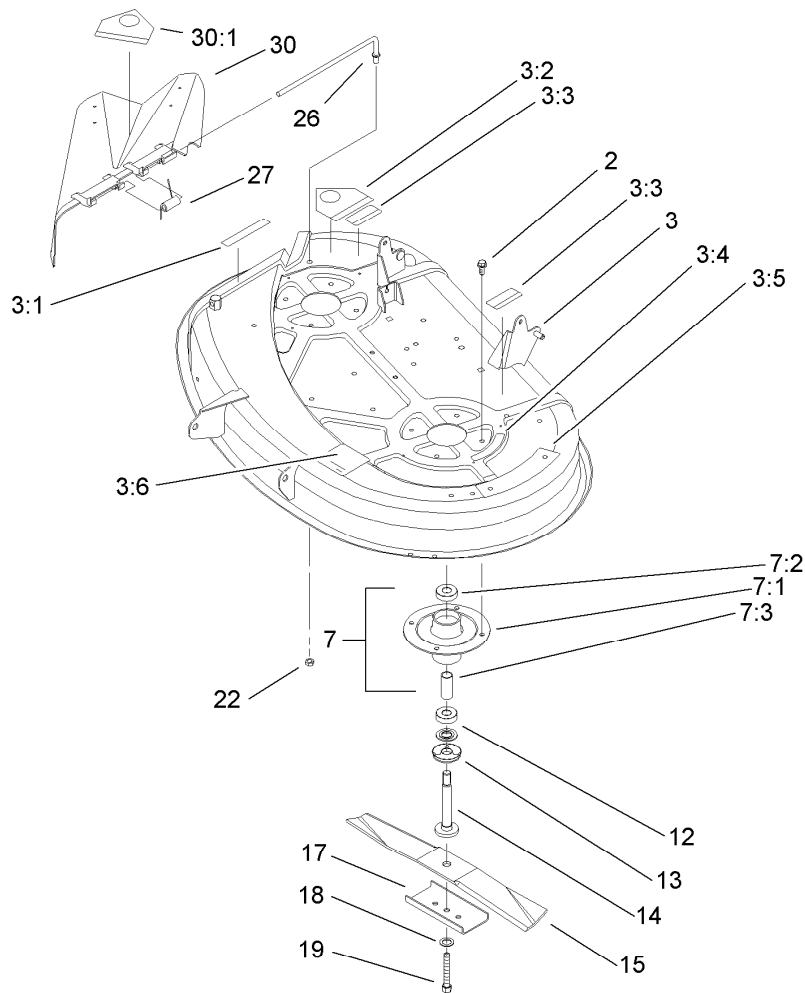


5 Speed Transaxle Assembly

| Ref. | Part Number | Qty. | Description |
|-------|-------------|------|-------------------------|
| 1 | 3296-29 | 4 | Nut-Lock, NI |
| 2 | 32120-64 | 1 | Ring-Snap, External |
| 3 | 3257-23 | 1 | Key-Woodruff |
| 4 | 88-4840 | 1 | Pulley-Transmission |
| 5 | 88-6270 | 1 | V-Belt |
| 7 | 94-6022 | 1 | Transaxle ASM |
| 9 | | 2 | Rear Wheel & Tire ASM ■ |
| 9:1 | 99-2996 | 1 | Tire |
| 9:2 | 88-4390 | 1 | Rim ASM |
| 9:2:1 | 232-27 | 1 | Stem-Valve |
| 9:99 | 232-41 | 1 | Tube ● |
| 10 | 3-6498 | 2 | Washer-Thrust |
| 11 | 7-0036 | 2 | Key-Square |
| 12 | 28-2480 | 2 | Washer-Plain |
| 13 | 32151-48 | 2 | E-Ring |
| 14 | 61-9780 | 2 | Cap-Hub |
| 15 | 322-12 | 4 | Screw-HH |
| 16 | 3256-23 | 4 | Washer-Flat |
| 17 | 3296-29 | 2 | Nut-Lock, NI |
| 18 | 3256-23 | 4 | Washer-Flat |
| 19 | 94-1969 | 2 | Strap-Torque |
| 20 | 26-6701 | 1 | Spring-Return, Brake |
| 21 | 322-3 | 2 | Screw-HH |
| 22 | 32144-14 | 2 | Screw-HWHTF |

● Not illustrated

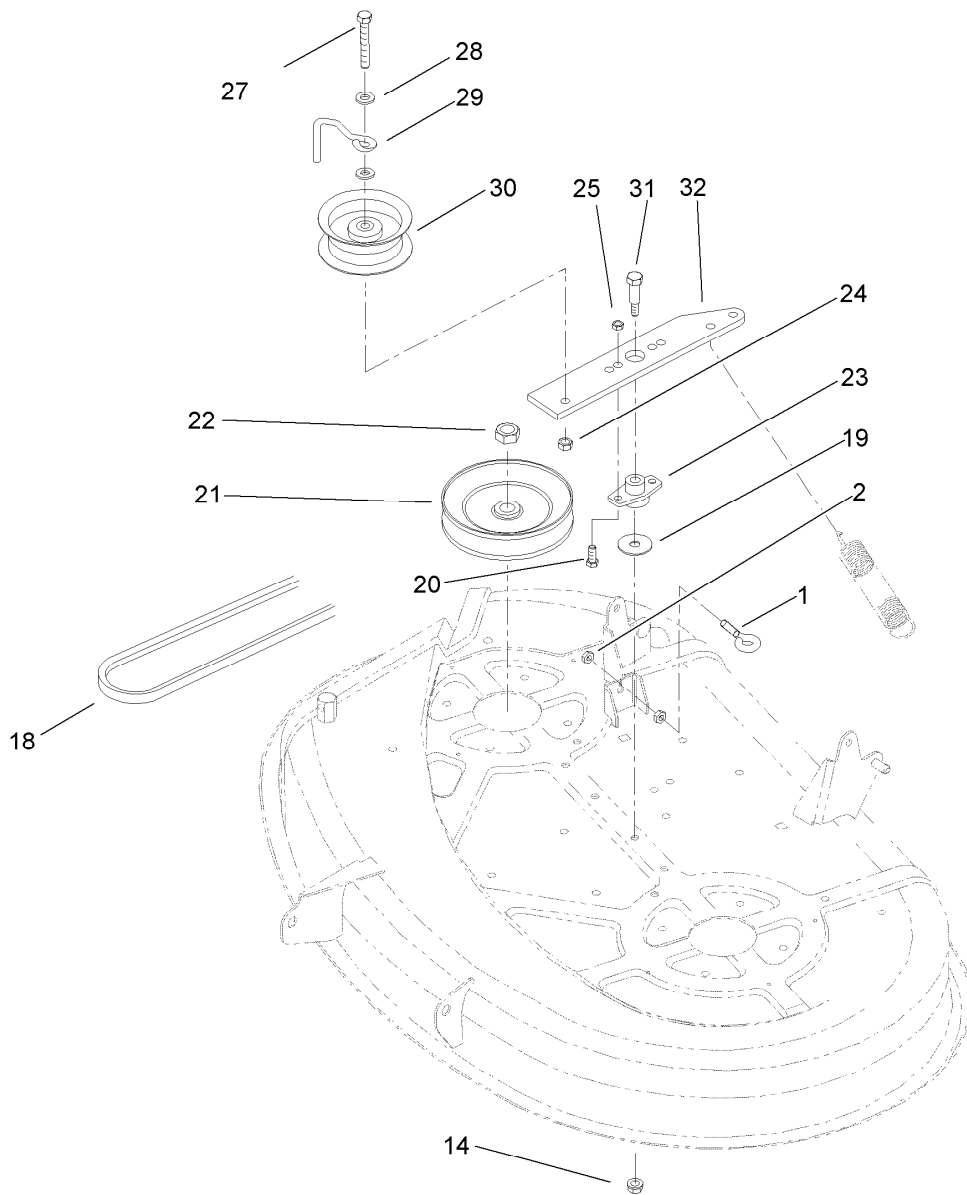
■ Not serviced separately



38in Deck Assembly

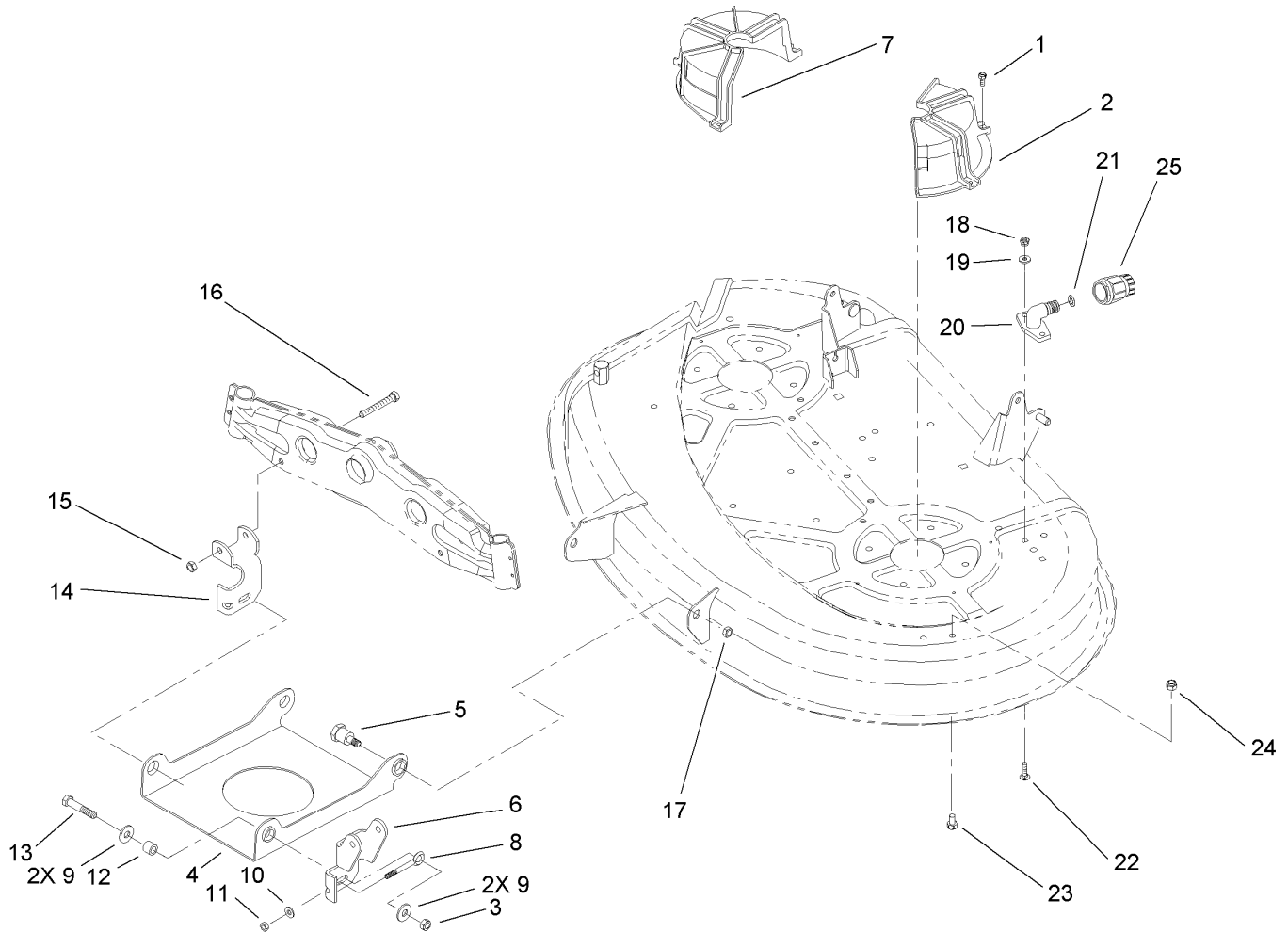
| Ref. | Part Number | Qty. | Description |
|------|-------------|------|-------------------------|
| 2 | 32144-41 | 8 | Screw-Taptite |
| 3 | 99-5846 | 1 | Deck ASM |
| 3:1 | 68-3650 | 1 | Decal-Danger, Deflector |
| 3:2 | 93-1122 | 1 | Decal-Danger |
| 3:3 | 55-4300 | 2 | Decal-Warning |
| 3:4 | 68-3660 | 1 | Decal-Danger, Shield |
| 3:5 | 79-3140 | 1 | Decal-Danger |
| 3:6 | 93-6679 | 1 | Decal-Routing, Belt |
| 7 | | 2 | Spindle ASM ● |
| 7:1 | 88-4510 | 1 | Housing-Spindle |
| 7:2 | 100-1048 | 2 | Bearing-Ball |
| 7:3 | 62-3661 | 1 | Spacer |
| 12 | 80-4380 | 2 | Spacer |
| 13 | 80-4360 | 2 | Shield-Bearing |
| 14 | 80-4341 | 2 | Shaft-Spindle |
| 15 | 14-7799 | 1 | Blade Kit |
| 17 | 80-0510-03 | 2 | Stiffener-Blade |
| 18 | 3290-465 | 2 | Washer-Belleville |
| 19 | 26-0671 | 2 | Screw-HH |
| 22 | 3296-39 | 1 | Nut-Lock, NI |
| 26 | 95-1661 | 1 | Rod-Pivot |
| 27 | 57-6950 | 1 | Spring |
| 30 | 93-0317 | 1 | Deflector ASM |
| 30:1 | 93-1122 | 1 | Decal-Danger |

● Not serviced separately



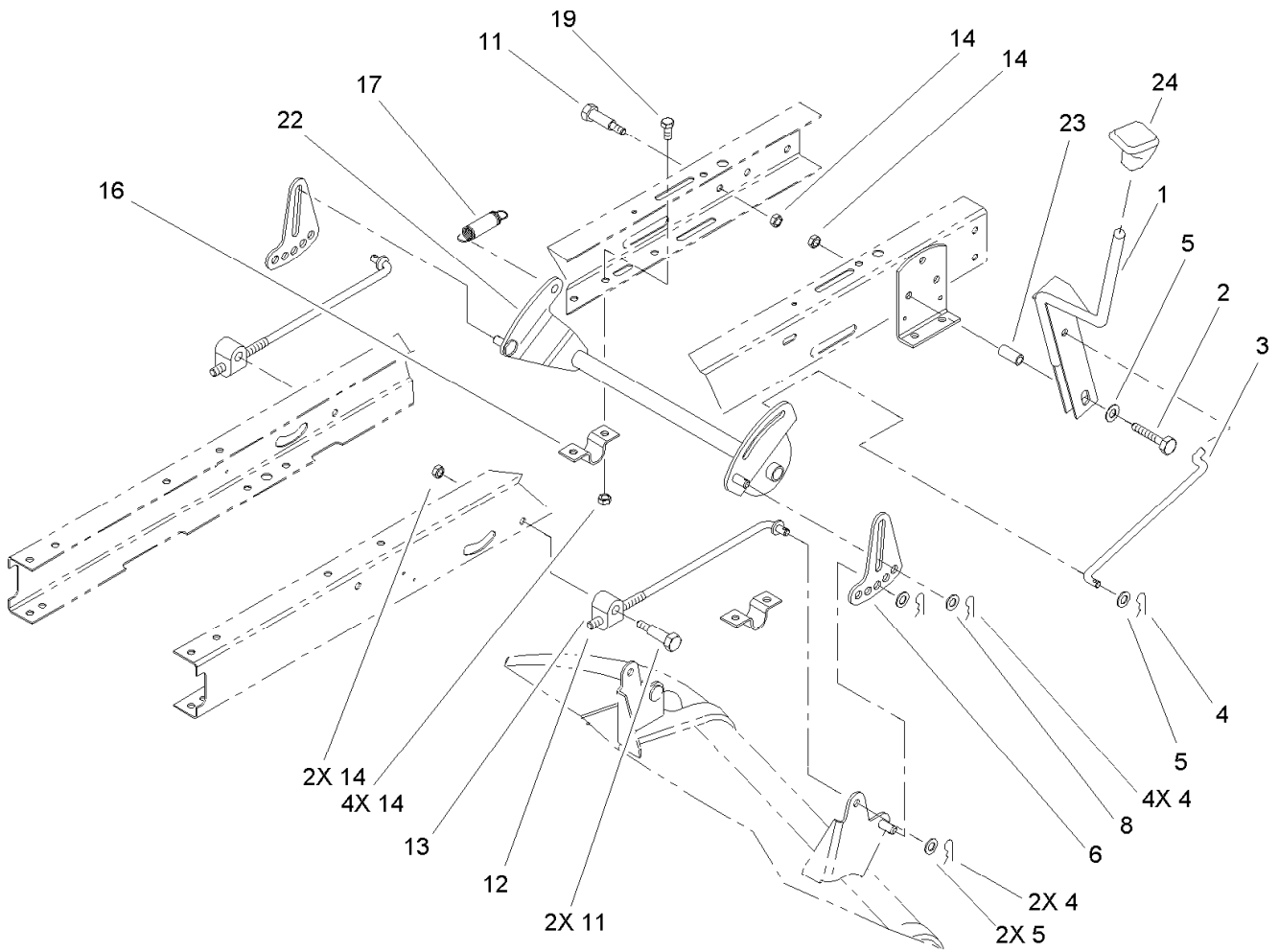
38in Deck Blade Drive Assembly

| <i>Ref.</i> | <i>Part Number</i> | <i>Qty.</i> | <i>Description</i> | <i>Ref.</i> | <i>Part Number</i> | <i>Qty.</i> | <i>Description</i> |
|-------------|--------------------|-------------|--------------------|-------------|--------------------|-------------|--------------------|
| 1 | 85-9910 | 1 | Eyebolt | 24 | 3296-39 | 1 | Nut-Lock, NI |
| 2 | 3218-2 | 2 | Nut-Jam | 25 | 3296-29 | 2 | Nut-Lock, NI |
| 14 | 3296-58 | 1 | Nut-Lock, NI | 27 | 323-12 | 1 | Screw-HH |
| 18 | 88-6250 | 1 | Belt-V | 28 | 3256-24 | 2 | Washer-Flat |
| 19 | 3256-68 | 1 | Washer-Flat | 29 | 107-7307 | 1 | Guide-Idler, Belt |
| 20 | 322-5 | 2 | Screw-HH | 30 | 88-5630 | 1 | Pulley-Idler, Flat |
| 21 | 88-5330 | 2 | Pulley ASM | 31 | 7-0030 | 1 | Screw-Shoulder, HH |
| 22 | 3219-6 | 2 | Nut-Hex | 32 | 88-4870-03 | 1 | Arm-Idler |
| 23 | 88-4980 | 1 | Bushing-Arm, Idler | | | | |



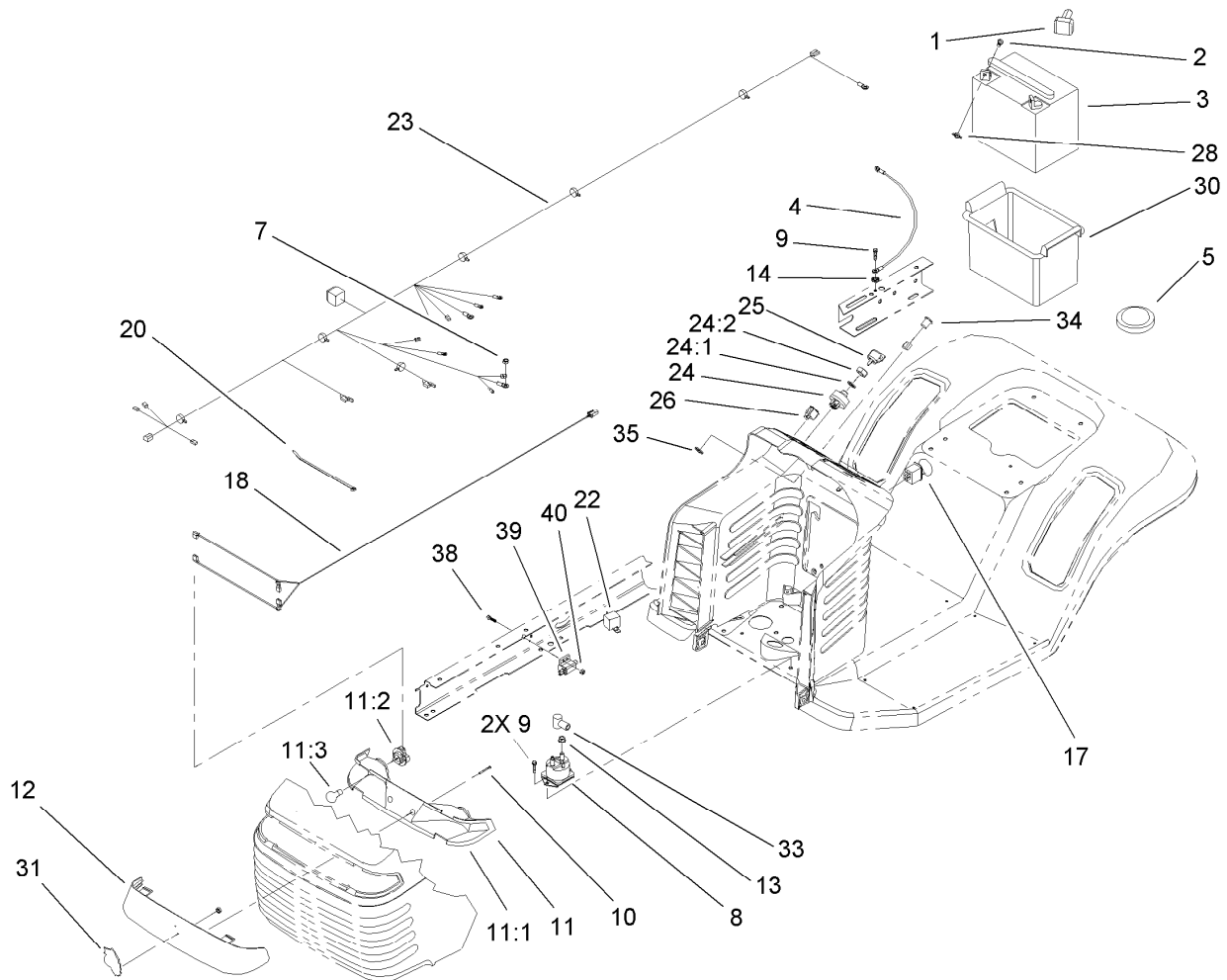
38in Deck Engagement Assembly

| <i>Ref.</i> | <i>Part Number</i> | <i>Qty.</i> | <i>Description</i> | <i>Ref.</i> | <i>Part Number</i> | <i>Qty.</i> | <i>Description</i> |
|-------------|--------------------|-------------|----------------------------|-------------|--------------------|-------------|------------------------|
| 1 | 32104-76 | 5 | Screw-Thd Cutting,HWH | 13 | 323-9 | 2 | Screw-HH |
| 2 | 88-4030 | 1 | Guide-Belt, LH | 14 | 94-1970-03 | 1 | Bracket-Suspension, RH |
| 3 | 3296-39 | 2 | Nut-Lock, NI | 15 | 3296-29 | 2 | Nut-Lock, NI |
| 4 | 93-3881-03 | 1 | Pan-Deck Suspension, Front | 16 | 322-12 | 2 | Screw-HH |
| 5 | 94-5823 | 2 | Bolt-Shoulder, HH | 17 | 3296-23 | 2 | Nut-Lock, NI |
| 6 | 94-1971-03 | 1 | Bracket-Suspension, LH | 18 | 3296-16 | 2 | Nut-Lock, NI |
| 7 | 88-4020 | 1 | Guide-Belt, RH | 19 | 3256-1 | 2 | Washer-Flat |
| 8 | 61-9980 | 2 | Screw-Adjusting | 20 | 95-2747 | 1 | Fitting-Washout |
| 9 | 80-6990 | 4 | Washer-Hardened | 21 | 46-6290 | 1 | O-Ring, Seal |
| 10 | 3256-22 | 2 | Washer-Flat | 22 | 3229-1 | 2 | Bolt-CARR |
| 11 | 3296-42 | 2 | Nut-Lock, NI | 23 | 322-1 | 2 | Screw-HH |
| 12 | 93-9847 | 2 | Spacer | 24 | 3296-29 | 2 | Nut-Lock, NI |
| | | | | 25 | 95-3270 | 1 | Connector-Hose |



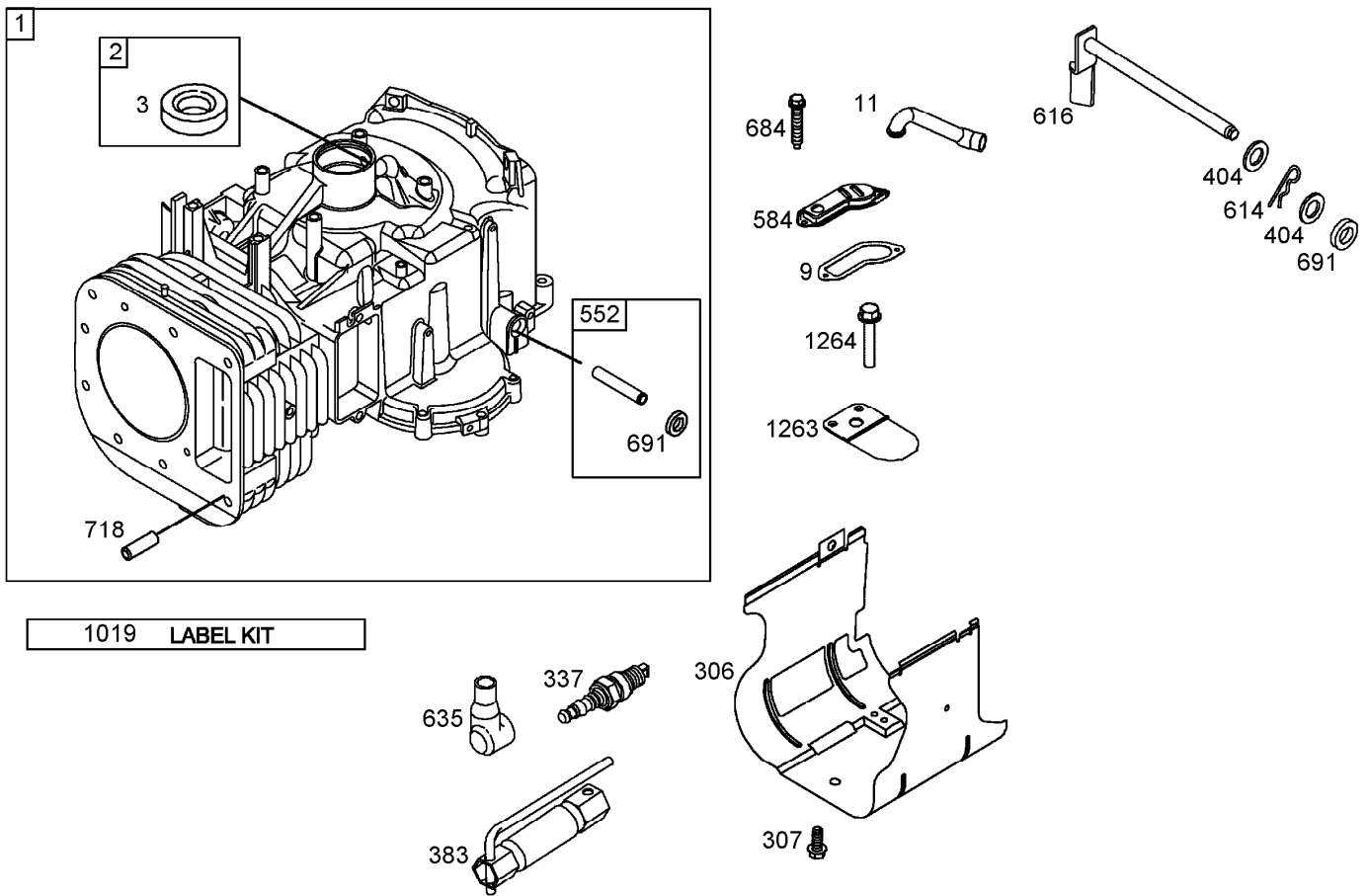
Height-of-Cut Component Assembly

| <i>Ref.</i> | <i>Part Number</i> | <i>Qty.</i> | <i>Description</i> |
|-------------|--------------------|-------------|---------------------|
| 1 | 93-3822-03 | 1 | HOC Lever ASM |
| 2 | 322-32 | 1 | Screw-HH |
| 3 | 88-5900 | 1 | Link-HOC |
| 4 | 3290-307 | 7 | Pin-Hair |
| 5 | 3256-24 | 4 | Washer-Flat |
| 6 | 88-5570-03 | 2 | Link-Adjusting, HOC |
| 8 | 80-6990 | 4 | Washer-Hardened |
| 11 | 7-0030 | 3 | Screw-Shoulder, HH |
| 12 | 88-5450 | 2 | Rod-Hanger, Rear |
| 13 | 88-4230 | 2 | Trunnion-HOC |
| 14 | 3296-29 | 8 | Nut-Lock, NI |
| 16 | 88-4730 | 2 | Clamp-Pivot, HOC |
| 17 | 88-6460 | 1 | Spring-Extension |
| 19 | 322-3 | 4 | Screw-HH |
| 22 | 88-5110-03 | 1 | Pivot ASM |
| 23 | 65-7210 | 1 | Spacer |
| 24 | 94-5565 | 1 | Knob-Shift |



Electrical Assembly

| <i>Ref.</i> | <i>Part Number</i> | <i>Qty.</i> | <i>Description</i> | <i>Ref.</i> | <i>Part Number</i> | <i>Qty.</i> | <i>Description</i> |
|-------------|--------------------|-------------|-------------------------|-------------|--------------------|-------------|--------------------------|
| 1 | 28-8080 | 1 | Boot-Terminal | 20 | 614249 | 1 | Tie-Cable |
| 2 | 321-4 | 2 | Screw-HH | 22 | 98-7249 | 1 | Relay |
| 3 | 104-1755 | 1 | Battery-155 Cca | 23 | 107-4912 | 1 | Harness-Wire |
| 4 | 44-8110 | 1 | Wire ASM | 24 | 88-9830 | 1 | Key Switch ASM |
| 5 | 100-3524 | 1 | Switch-Seat | 24:1 | 3254-5 | 1 | Washer-Tooth, Internal |
| 7 | 32149-2 | 1 | Nut-Keps | 24:2 | 218-461 | 1 | Nut-HH |
| 8 | 106-8245 | 1 | Solenoid-Starter | 25 | 63-8360 | 1 | Key-Ignition (W/Shield) |
| 9 | 9266714 | 3 | Screw-HWH | 26 | 92-8875 | 1 | Switch-Rocker |
| 10 | 32144-32 | 2 | Screw | 28 | 32103-22 | 2 | Nut-Wing |
| 11 | 88-3970 | 1 | Headlight Reflector ASM | 30 | 88-4040 | 1 | Box-Battery |
| 11:1 | 93-8741 | 1 | Reflector-Light | 31 | 95-4248 | 1 | Emblem |
| 11:2 | 116262 | 2 | Socket-Headlight | 33 | 93-3190 | 1 | Boot-Insulator, Terminal |
| 11:3 | 7228 | 2 | Bulb | 34 | 95-7652 | 1 | Light-Indicator |
| 12 | 88-3960 | 1 | Lens-Headlight | 35 | 32151-80 | 1 | Nut-Push-On, Circular |
| 13 | 32149-2 | 2 | Nut-Keps | 38 | 3274-14 | 2 | Screw-HSH |
| 14 | 3255-7 | 2 | Washer-Lock/EXT | 39 | 65-7410 | 1 | Switch-Pole, Single |
| 17 | 93-9998 | 1 | Switch-PTO | 40 | 3296-2 | 2 | Nut-Lock, NI |
| 18 | 99-1935 | 1 | Harness-Headlight | | | | |

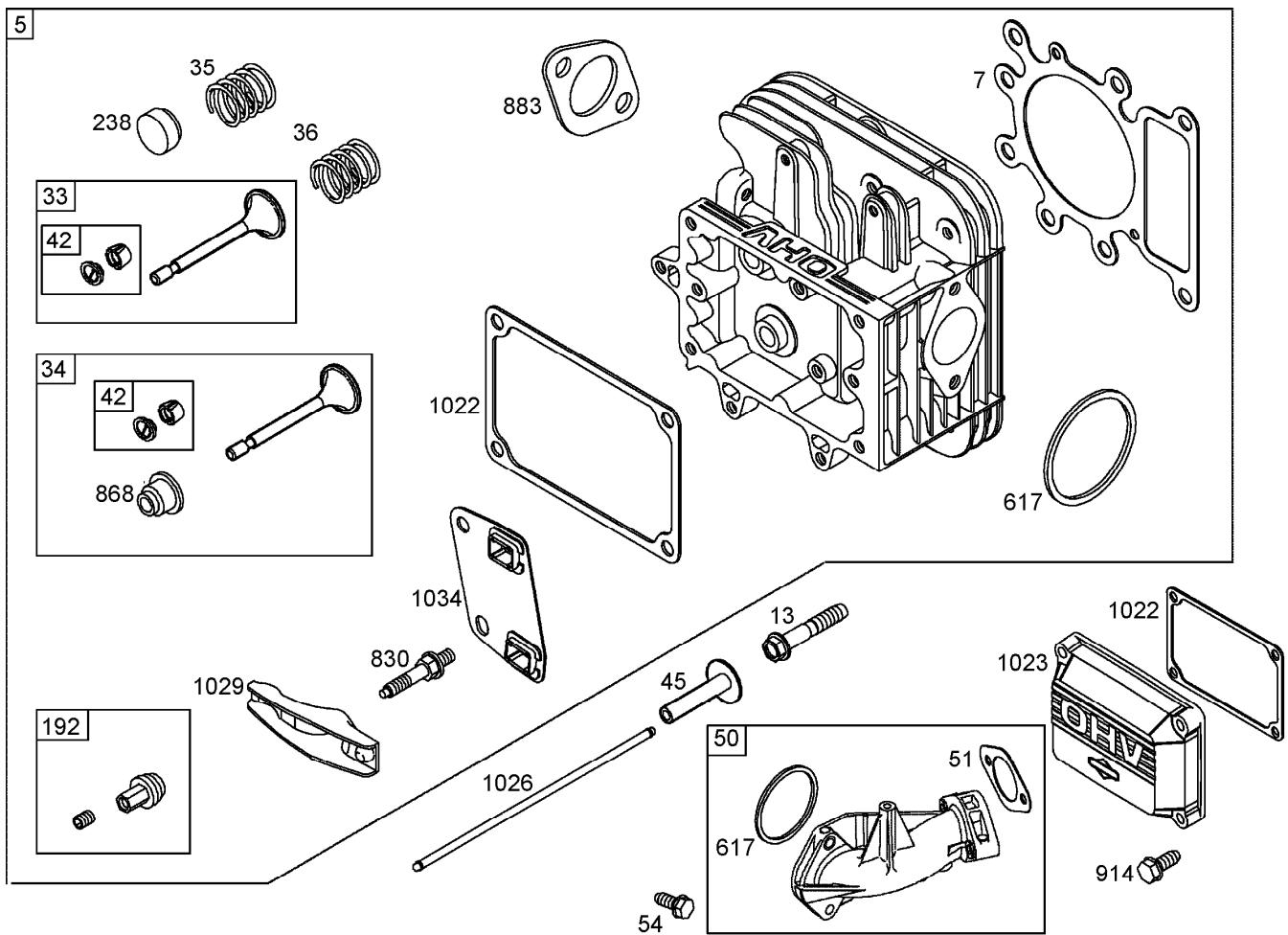


Cylinder Assembly Briggs and Stratton 286H77-0165-E1

| Ref. | Part Number | Qty. | Description |
|------|-------------|------|----------------------------------|
| 1 | 697132 | 1 | Cylinder ASM ■ |
| 2 | 399265 | 1 | Bushing And Seal Kit ■ |
| 3 | 391086 | 1 | Seal-Oil ■ |
| 9 | 697109 | 1 | Gasket-Breather ■ |
| 11 | 697113 | 1 | Tube-Breather ■ |
| 48 | 697762 | 1 | Short Block ASM ■● |
| 306 | 697107 | 1 | Shield-Cylinder ■ |
| 307 | 691003 | 1 | Screw (Cylinder Shield) ■ |
| 337 | 691043 | 1 | Spark Plug ■ |
| 383 | 89838 | 1 | Wrench-Plug, Spark ■ |
| 404 | 691691 | 1 | Washer (Governor Crank) ■ |
| 552 | 697144 | 1 | Bushing-Crank, Governor ■ |
| 584 | 697112 | 1 | Cover-Passage, Breather ■ |
| 614 | 691620 | 1 | Pin-Cotter ■ |
| 616 | 692012 | 1 | Crank-Governor ■ |
| 635 | 691909 | 1 | Boot-Spark Plug ■ |
| 684 | 697157 | 1 | Screw (Breather Passage Cover) ■ |
| 691 | 692407 | 1 | Seal-Shaft, Governor ■ |
| 718 | 690959 | 1 | Pin-Locating ■ |
| 1019 | 697143 | 1 | Label Kit ■ |
| 1263 | 697124 | 1 | Reed-Breather ■ |
| 1264 | 697104 | 1 | Screw (Breather Reed) ■ |

● Not illustrated

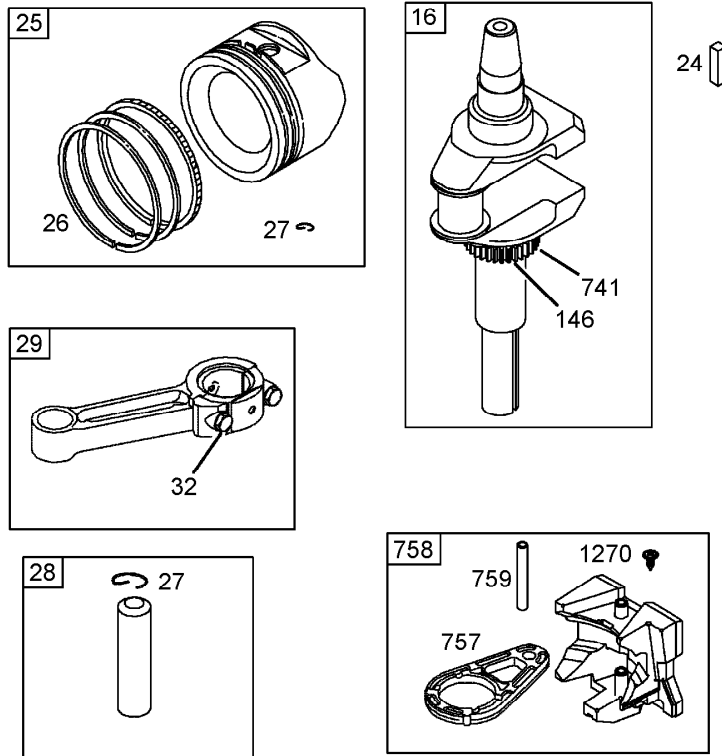
■ Obtain parts from www.briggsandstratton.com



Cylinder Head Assembly Briggs and Stratton 286H77-0165-E1

| Ref. | Part Number | Qty. | Description | Ref. | Part Number | Qty. | Description |
|------|-------------|------|--------------------------------|------|-------------|------|---------------------------------|
| 5 | 698148 | 1 | Head cylinder ● | 238 | 691843 | 1 | Cap-Valve ● |
| 7 | 273280 | 1 | Gasket-Head, Cylinder ● | 617 | 692138 | 1 | Seal o Ring (Intake Manifold) ● |
| 13 | 690360 | 1 | Screw (Cylinder Head Gasket) ● | 830 | 691095 | 1 | Stud-Arm, Rocker ● |
| 33 | 695760 | 1 | Valve-Exhaust ● | 868 | 690968 | 1 | Seal-Valve ● |
| 34 | 695761 | 1 | Valve-Intake ● | 883 | 692236 | 1 | Gasket-Exhaust ● |
| 35 | 691279 | 1 | Spring-Valve (Intake) ● | 914 | 691108 | 1 | Screw (Rocker Cover) ● |
| 36 | 691279 | 1 | Spring-Valve (Exhaust) ● | 1022 | 272475 | 1 | Gasket-Cover, Rocker ● |
| 42 | 499586 | 1 | Keeper-Valve ● | 1023 | 692492 | 1 | Cover-Rocker ● |
| 45 | 690564 | 1 | Tappet-Valve ● | 1026 | 692003 | 1 | Rod push ● |
| 50 | 690193 | 1 | Manifold-Intake ● | | 692011 | 1 | Rod push ● |
| 51 | 692137 | 1 | Gasket-Intake ● | 1029 | 691751 | 1 | Arm-Rocker ● |
| 54 | 691148 | 1 | Screw (Intake Manifold) ● | 1034 | 690822 | 1 | Guide-Rod, Push ● |
| 192 | 691986 | 1 | Adjustor-Arm, Rocker ● | | | | |

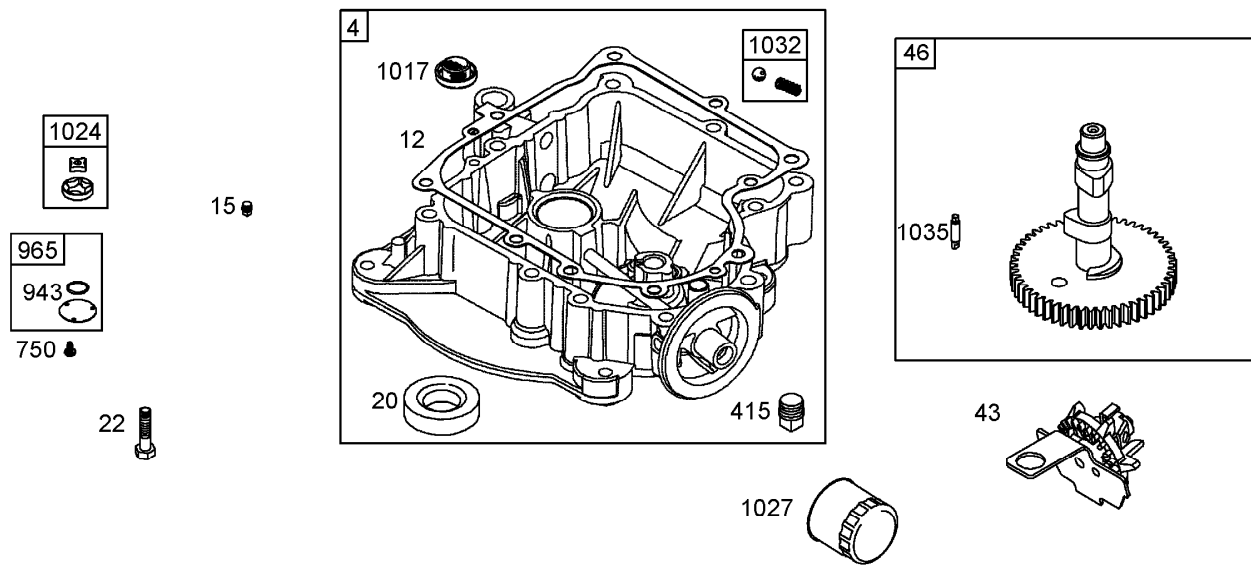
● Obtain parts from www.briggsandstratton.com



Crankshaft Assembly Briggs and Stratton 286H77-0165-E1

| Ref. | Part Number | Qty. | Description |
|------|-------------|------|--|
| 16 | 697127 | 1 | Crankshaft ● |
| 24 | 222698 | 1 | Key ● |
| 25 | 698371 | 1 | Piston ASM (Standard) (After Code Date 03092800) ● |
| | 697114 | 1 | Piston ASM (Standard) (Before Code Date 03092900) ● |
| | 698375 | 1 | Piston ASM (.020In Oversize) (After Code Date 03092800) ● |
| | 697117 | 1 | Piston ASM (.020In Oversize) (Before Code Date 03092900) ● |
| 26 | 697115 | 1 | Ring Set (Standard) ● |
| | 697120 | 1 | Ring Set (.020In Oversize) ● |
| 27 | 698469 | 1 | Lock-Pin, Piston ● |
| 28 | 697099 | 1 | Pin-Piston (Std) ● |
| 29 | 697126 | 1 | Rod connecting (Standard) ● |
| | 697263 | 1 | Rod-Connecting (.020In Undersize) ● |
| 32 | 692852 | 1 | Screw (Connecting Rod) ● |
| 146 | 691639 | 1 | Key-Timing ● |
| 741 | 697128 | 1 | Gear-Timing ● |
| 757 | 697607 | 1 | Link-Counterweight ● |
| 758 | 697134 | 1 | Counterweight ● |
| 759 | 697392 | 1 | Pin-Counterweight ● |
| 1270 | 697156 | 1 | Plug-Counterweight, Avs ● |

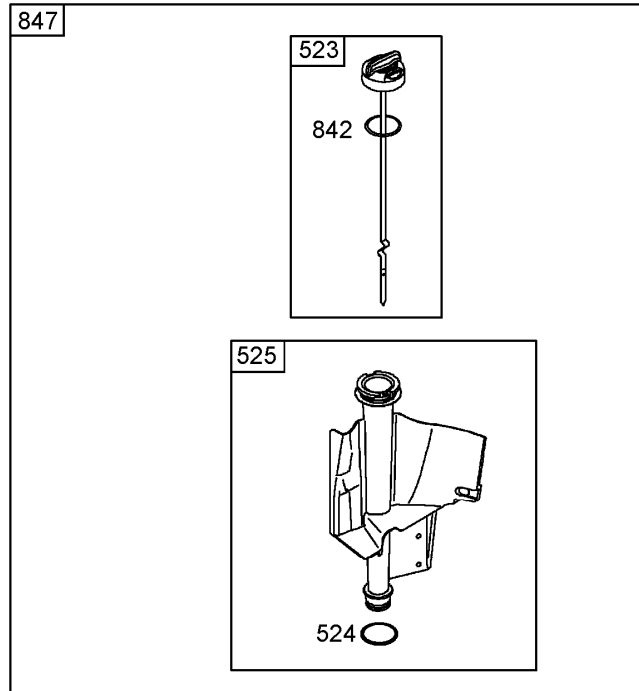
● Obtain parts from www.briggsandstratton.com



Crankcase Assembly Briggs and Stratton 286H77-0165-E1

| <i>Ref.</i> | <i>Part Number</i> | <i>Qty.</i> | <i>Description</i> |
|-------------|--------------------|-------------|--------------------------|
| 4 | 697188 | 1 | Sump-Engine ● |
| 12 | 697110 | 1 | Gasket-Crankcase ● |
| 15 | 691680 | 1 | Plug-Drain, Oil ● |
| 20 | 690947 | 1 | Seal-Oil ● |
| 22 | 692125 | 1 | Screw (Engine Sump) ● |
| 415 | 690283 | 1 | Plug-Oil ● |
| 43 | 691968 | 1 | Slinger-Governor, Oil ● |
| 46 | 790400 | 1 | Camshaft ● |
| 750 | 691033 | 1 | Screw (Oil Pump Cover) ● |
| 943 | 690589 | 1 | Seal-O Ring ● |
| 965 | 499613 | 1 | Cover-Pump, Oil ● |
| 1017 | 690770 | 1 | Screen-Pump, Oil ● |
| 1024 | 499054 | 1 | Pump-Oil ● |
| 1027 | 492932 | 1 | Filter-Oil ● |
| 1032 | 491710 | 1 | Ball pump, Oil ● |
| 1035 | 693784 | 1 | Shaft-Pump, Oil ● |

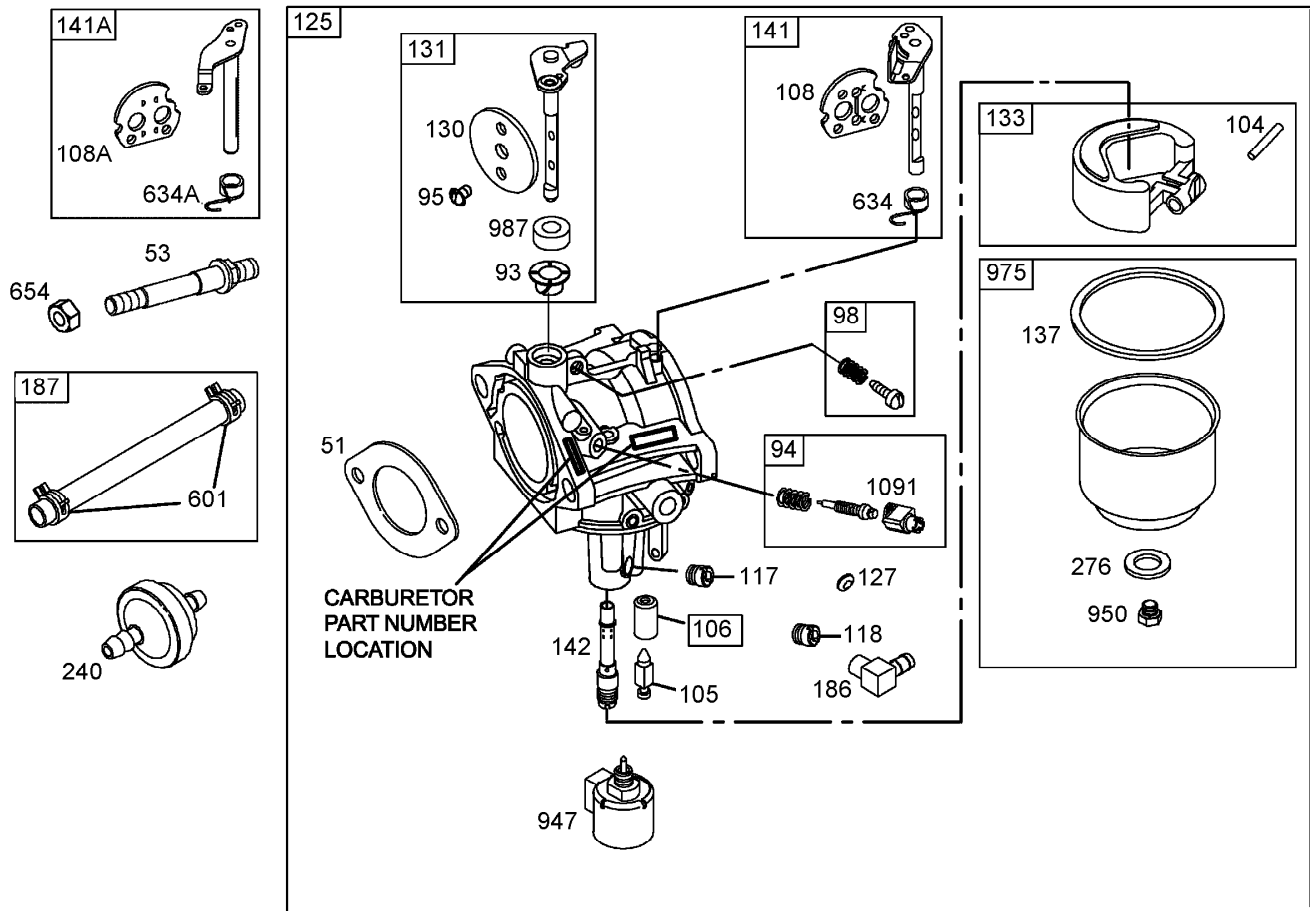
● Obtain parts from www.briggsandstratton.com



Oil Filter, Tube and Pump Assembly Briggs and Stratton 286H77-0165-E1

| <i>Ref.</i> | <i>Part Number</i> | <i>Qty.</i> | <i>Description</i> |
|-------------|--------------------|-------------|-------------------------|
| 523 | 699908 | 1 | Dipstick ● |
| 524 | 691032 | 1 | Seal-O Ring ● |
| 525 | 697184 | 1 | Tube-Dipstick ● |
| 842 | 691031 | 1 | Seal-O Ring ● |
| 847 | 790442 | 1 | Dipstick And Tube ASM ● |

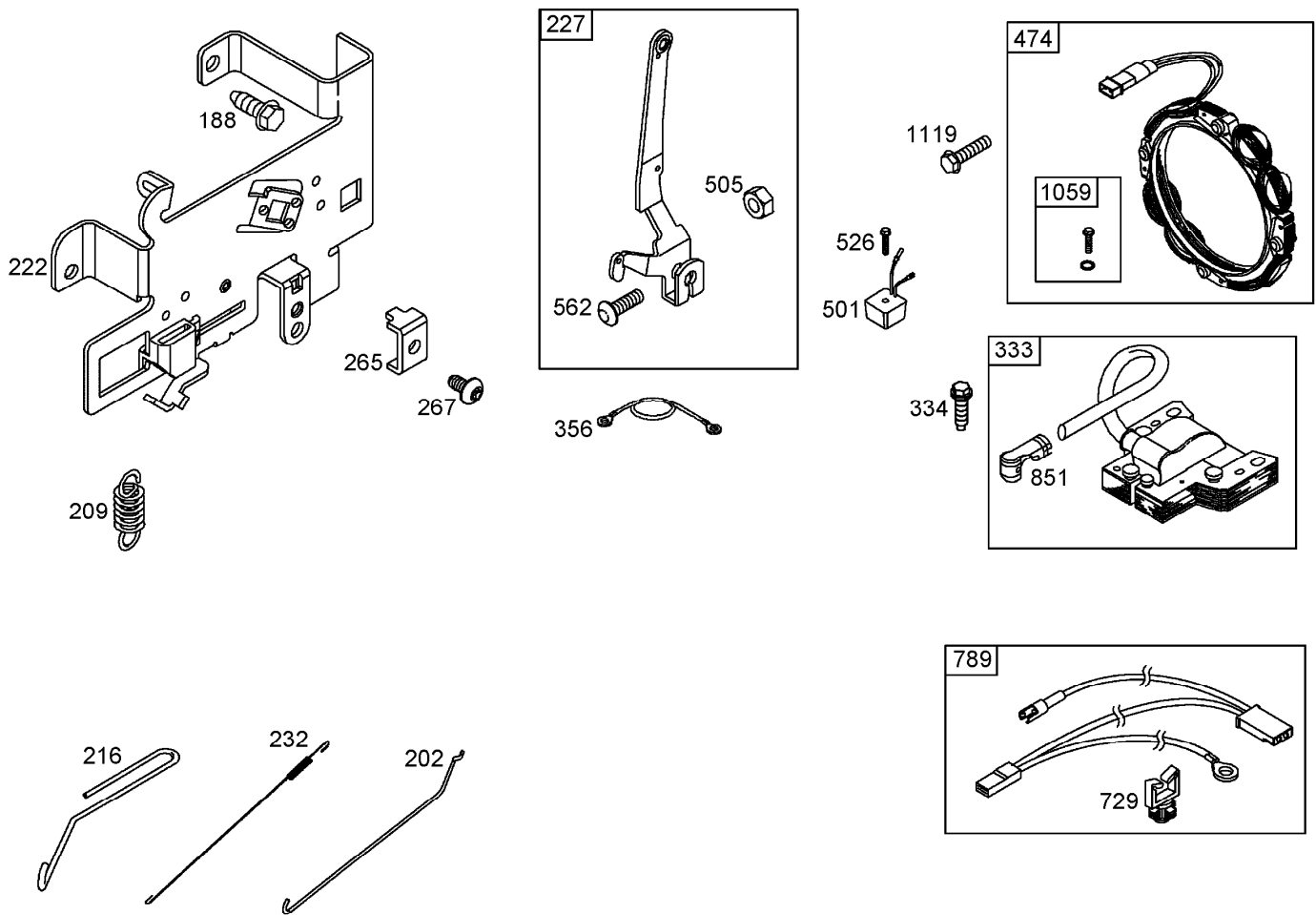
● Obtain parts from www.briggsandstratton.com



Carburetor Assembly Briggs and Stratton 286H77-0165-E1

| Ref. | Part Number | Qty. | Description | Ref. | Part Number | Qty. | Description |
|------|-------------|------|-------------------------------|------|-------------|------|--------------------------------------|
| 51 | 692137 | 1 | Gasket-Intake ● | 137 | 281165 | 1 | Gasket-Bowl, Float ● |
| 53 | 690227 | 1 | Stud (Carburetor) ● | 141 | 495097 | 1 | Choke Shaft Kit (Manual Choke) ● |
| 93 | 690602 | 1 | Bushing-Shaft, Throttle ● | 141A | 495931 | 1 | Choke Shaft Kit (Choke A Matic) ● |
| 94 | 498030 | 1 | Idle Mixture Kit ● | 142 | 697140 | 1 | Nozzle-Carburetor ● |
| 95 | 691636 | 1 | Screw (Throttle Valve) ● | 186 | 698174 | 1 | Connector-Hose ● |
| 98 | 495800 | 1 | Idle Speed Kit ● | 187 | 699931 | 1 | Line fuel (Cut To Required Length) ● |
| 104 | 690525 | 1 | Pin-Hinge, Carburetor Float ● | 240 | 394358 | 1 | Filter-Fuel ● |
| 105 | 231855 | 1 | Valve-Needle, Float ● | 276 | 692255 | 1 | Washer-Sealing ● |
| 106 | 690577 | 1 | Seat-Inlet ● | 601 | 95162 | 1 | Clamp-Hose ● |
| 108 | 690464 | 1 | Valve choke ● | 634 | 690801 | 1 | Spring / Seal ASM ● |
| 108A | 692344 | 1 | Valve choke (Choke A Matic) ● | 634A | 690802 | 1 | Spring And Seal Asm ● |
| 117 | 694352 | 1 | Jet-Main (Std) ● | 654 | 690958 | 1 | Nut (Carburetor) ● |
| 118 | 697228 | 1 | Jet-Main (High Altitude) ● | 947 | 694393 | 1 | Solenoid-Fuel ● |
| 125 | 698445 | 1 | Carburetor ● | 950 | 691657 | 1 | Screw (Float Bowl) ● |
| 127 | 695005 | 1 | Plug-Welch ● | 975 | 495933 | 1 | Bowl-Float ● |
| 130 | 691750 | 1 | Valve-Throttle ● | 987 | 691326 | 1 | Seal-Shaft, Throttle ● |
| 131 | 494379 | 1 | Throttle Shaft Kit ● | 1091 | 691333 | 1 | Cap-Limiter ● |
| 133 | 494381 | 1 | Float-Carburetor ● | | | | |

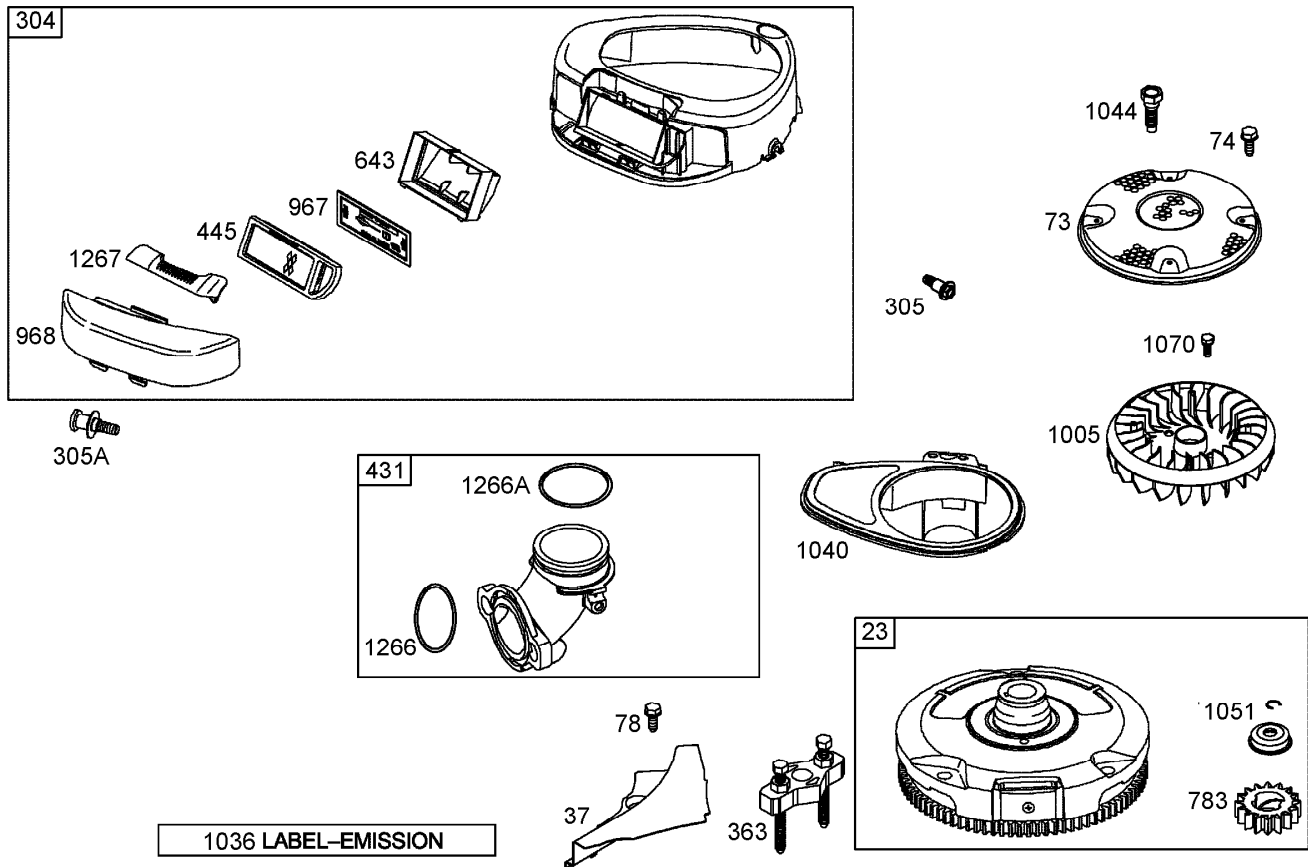
● Obtain parts from www.briggsandstratton.com



Governor Assembly Briggs and Stratton 286H77-0165-E1

| Ref. | Part Number | Qty. | Description | Ref. | Part Number | Qty. | Description |
|------|-------------|------|---|------|-------------|------|--|
| 188 | 691693 | 1 | Screw (Control Bracket) ● | 501 | 691188 | 1 | Regulator (Used After Code Date 03021600) ● |
| 202 | 691841 | 1 | Link-Governor, Mechanical ● | | 691185 | 1 | Regulator (Used Before Code Date 03021700) ● |
| 209 | 692208 | 1 | Spring-Governor ● | 505 | 691251 | 1 | Nut (Governor Control Lever) ● |
| 216 | 691840 | 1 | Link-Choke ● | 526 | 697088 | 1 | Screw (Used After Code Date 03021600) ● |
| 222 | 694042 | 1 | Bracket-Control ● | | 697348 | 1 | Screw (Used Before Code Date 03021700) ● |
| 227 | 691374 | 1 | Lever-Control, Governor ● | 562 | 691119 | 1 | Bolt (Governor Control Lever) ● |
| 232 | 691842 | 1 | Spring-Link, Governor ● | 729 | 691335 | 1 | Clip wire ● |
| 265 | 691024 | 1 | Clamp-Casing ● | 789 | 692037 | 1 | Wiring-Harness ● |
| 267 | 695134 | 1 | Screw (Casing Clamp) ● | 851 | 692424 | 1 | Terminal spark Plug ● |
| 333 | 492341 | 1 | Armature-Magneto ● | 1059 | 698516 | 1 | Screw And Washer Kit ● |
| 334 | 691061 | 1 | Screw (Magneto Armature) ● | 1119 | 691183 | 1 | Screw (Alternator) ● |
| 356 | 697089 | 1 | Stop-Wire ● | | | | |
| 474 | 696457 | 1 | Alternator (Used After Code Date 03021600) ● | | | | |
| | 696458 | 1 | Alternator (Used Before Code Date 03021700) ● | | | | |

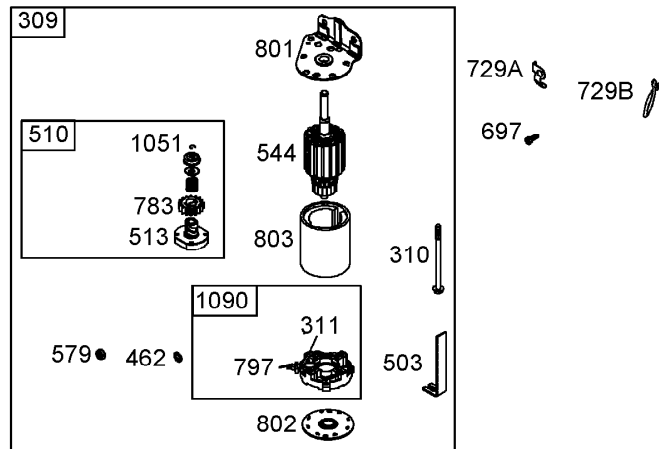
● Obtain parts from www.briggsandstratton.com



Blower Housing Assembly Briggs and Stratton 286H77-0165-E1

| Ref. | Part Number | Qty. | Description | Ref. | Part Number | Qty. | Description |
|------|-------------|------|---------------------------------|-------|-------------|------|---|
| 23 | 693556 | 1 | Flywheel ● | 968 | 697084 | 1 | Cover-Cleaner, Air ● |
| 37 | 697352 | 1 | Guard-Flywheel ● | 1005 | 699043 | 1 | Fan-Flywheel ● |
| 73 | 697133 | 1 | Screen-Rotating ● | 1036 | 790464 | 1 | Label emission (Used After Code Date 04063000) ● |
| 74 | 697897 | 1 | Screw (Rotating Screen) ● | | 695700 | 1 | Label emission (Used Before Code Date 04070100) ● |
| 78 | 691003 | 1 | Screw (Flywheel Guard) ● | 1040 | 699852 | 1 | Plate-Trim ● |
| 304 | 698599 | 1 | Housing-Blower ● | 1044 | 698139 | 1 | Screw (Crankshaft Extension) ● |
| 305 | 697102 | 1 | Screw (Blower Housing) ● | 1051 | 691265 | 1 | Ring-Retaining ● |
| 305A | 697103 | 1 | Screw (Blower Housing) ● | 1070 | 690372 | 1 | Screw (Flywheel Fan) ● |
| 363 | 19203 | 1 | Puller-Flywheel ● | 1266 | 691917 | 1 | Seal-O Ring ● |
| 431 | 697122 | 1 | Elbow-Intake ● | 1266A | 697123 | 1 | Seal-O Ring ● |
| 445 | 698083 | 1 | Filter-Cartridge, Air Cleaner ● | 1267 | 697419 | 1 | Latch-Housing, Blower ● |
| 643 | 698401 | 1 | Retainer-Filter, Air ● | | | | |
| 783 | 693713 | 1 | Gear-Pinion ● | | | | |
| 967 | 697015 | 1 | Filter-Cleaner, Pre ● | | | | |

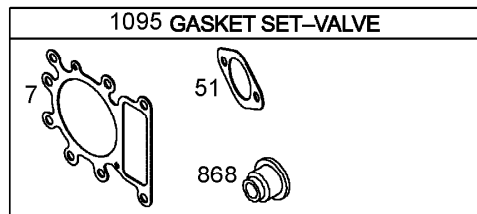
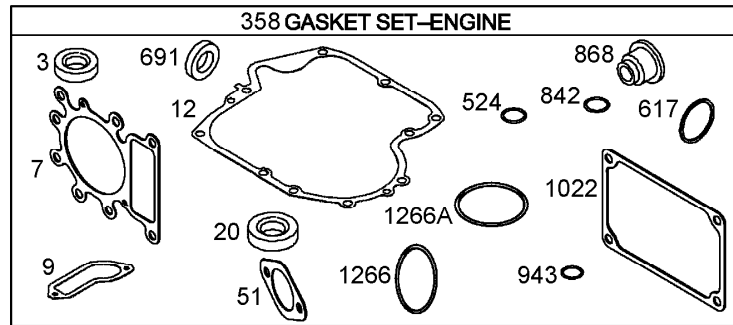
● Obtain parts from www.briggsandstratton.com



Starter Assembly Briggs and Stratton 286H77-0165-E1

| <i>Ref.</i> | <i>Part Number</i> | <i>Qty.</i> | <i>Description</i> |
|-------------|--------------------|-------------|---------------------------|
| 309 | 693551 | 1 | Motor-Starter ● |
| 310 | 690323 | 1 | Bolt (Starter Motor) ● |
| 311 | 497608 | 1 | Brush Set ● |
| 462 | 691261 | 1 | Washer (Brush Retainer) ● |
| 503 | 691532 | 1 | Strap-Starter ● |
| 510 | 693699 | 1 | Drive-Starter ● |
| 513 | 692024 | 1 | Clutch-Drive ● |
| 544 | 692034 | 1 | Armature-Starter ● |
| 579 | 691029 | 1 | Nut (Brush Retainer) ● |
| 697 | 690372 | 1 | Screw (Drive Cap) ● |
| 729A | 691224 | 1 | Clip-Wire ● |
| 729B | 694123 | 1 | Clip wire ● |
| 783 | 693713 | 1 | Gear-Pinion ● |
| 797 | 693167 | 1 | Nut (Brush Retainer) ● |
| 801 | 691283 | 1 | Cap-Drive ● |
| 802 | 691286 | 1 | Cap-End ● |
| 803 | 693757 | 1 | Housing-Starter ● |
| 1051 | 691265 | 1 | Ring-Retaining ● |
| 1090 | 691293 | 1 | Retainer-Brush ● |

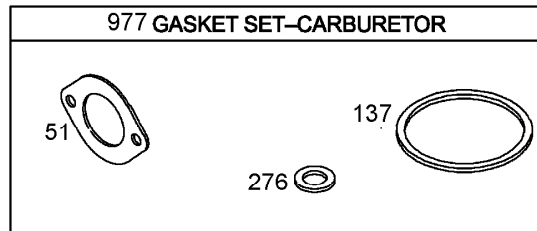
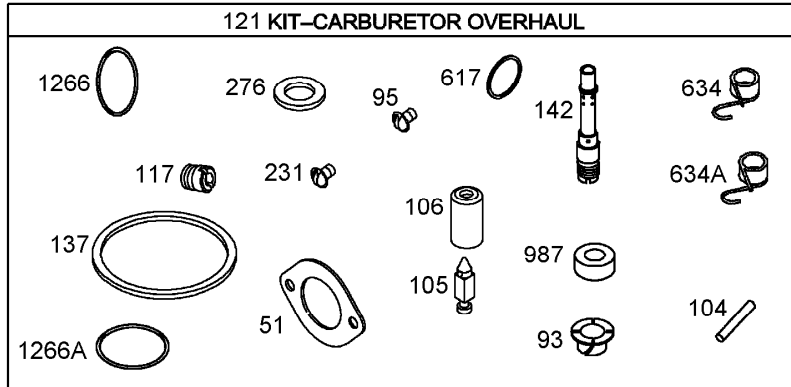
● Obtain parts from www.briggsandstratton.com



Gasket Assembly Briggs and Stratton 286H77-0165-E1

| <i>Ref.</i> | <i>Part Number</i> | <i>Qty.</i> | <i>Description</i> |
|-------------|--------------------|-------------|-------------------------|
| 3 | 391086 | 1 | Seal-Oil ● |
| 7 | 273280 | 1 | Gasket-Head, Cylinder ● |
| 9 | 697109 | 1 | Gasket-Breather ● |
| 12 | 697110 | 1 | Gasket-Crankcase ● |
| 20 | 690947 | 1 | Seal-Oil ● |
| 51 | 692137 | 1 | Gasket-Intake ● |
| 358 | 697151 | 1 | Engine Gasket Set ● |
| 617 | 692138 | 1 | Seal-O Ring ● |
| 524 | 691032 | 1 | Seal-O Ring ● |
| 691 | 692407 | 1 | Seal-Shaft, Governor ● |
| 842 | 691031 | 1 | Seal-O Ring ● |
| 868 | 690968 | 1 | Seal-Valve ● |
| 943 | 690589 | 1 | Seal-O Ring ● |
| 1022 | 272475 | 1 | Gasket-Cover, Rocker ● |
| 1095 | 691581 | 1 | Valve Gasket Set ● |
| 1266 | 691917 | 1 | Seal-O Ring ● |
| 1266A | 697123 | 1 | Seal-O Ring ● |

● Obtain parts from www.briggsandstratton.com



Carburetor Overhaul Kit Briggs and Stratton 286H77-0165-E1

| <i>Ref.</i> | <i>Part Number</i> | <i>Qty.</i> | <i>Description</i> |
|-------------|--------------------|-------------|-------------------------------|
| 51 | 692137 | 1 | Gasket-Intake ● |
| 93 | 690602 | 1 | Bushing-Shaft, Throttle ● |
| 95 | 691636 | 1 | Screw (Throttle Valve) ● |
| 104 | 690525 | 1 | Pin-Hinge, Carburetor Float ● |
| 105 | 231855 | 1 | Valve-Needle, Float ● |
| 106 | 690577 | 1 | Seat-Inlet ● |
| 117 | 694352 | 1 | Jet-Main (Std) ● |
| 121 | 697154 | 1 | Carburetor Overhaul Kit ● |
| 137 | 281165 | 1 | Gasket-Bowl, Float ● |
| 142 | 697140 | 1 | Nozzle-Carburetor ● |
| 231 | 691636 | 1 | Screw (Choke Valve) ● |
| 276 | 692255 | 1 | Washer-Sealing ● |
| 617 | 692138 | 1 | Seal-O Ring ● |
| 634 | 690801 | 1 | Spring / Seal ASM ● |
| 634A | 690802 | 1 | Spring And Seal Asm ● |
| 977 | 690192 | 1 | Carburetor Gasket Set ● |
| 987 | 691326 | 1 | Seal-Shaft, Throttle ● |
| 1266 | 691917 | 1 | Seal-O Ring ● |
| 1266A | 697123 | 1 | Seal-O Ring ● |

● Obtain parts from www.briggsandstratton.com

Attachments and Accessories

For 71427 XL 380 Lawn Tractor

| Product Name | Model/Part |
|--|-------------------|
| Counterweight Kit | 100-6230 |
| 8 Inch Rear Wheel Weight Kit | 59159 |
| 9.0 cu. ft. Twin Bagger | 79103 |
| 6.0 cu. ft. Easy-Empty Grass Catcher | 79117 |
| 42 Inch Snow Blade | 79150 |
| Recycler Kit | 79170 |
| 10 cu. ft. Dump Cart | 79901 |
| Snow Cab | 79912 |
| Sunshade | 79913 |
| 10 cu. ft. Poly Dump Cart | 79935 |
| Folding Loading Ramp..... | 79949 |
| Sweeper | 79985 |
| Tractor Rack | 79990 |
| Tire Chains Kit | 82311 |
| Anti-Scalp Roller Kit..... | 93-3898 |
| Exhaust Deflector | 94-6872 |
| Tower Kit..... | 98-9880 |

Notes:

Notes:



Count on it.