



Count on it.

Parts Catalog

XL 380H

Lawn Tractor

Model No. 71428—Serial No. 25000001 and Up



Ordering Replacement Parts

To order replacement parts, please supply the part number, the quantity, and the description of each part desired.

Understanding Reference Numbers

Each identified part in an illustration has a reference number. The reference number for a part also appears in the parts list, along with other information about the part.

This catalog uses two special reference number formats, one to indicate parts in a service assembly and another to indicate the quantity of a given part in an illustration.

Service Assembly Reference Numbers

Parts in service assemblies have reference numbers in the form a:b. The a represents the reference number of the entire service assembly and the b represents a sequential number unique to each part within the service assembly.

For example, a wheel assembly might be identified by reference number 6, the tire by 6:1, the valve by 6:2, and the wheel by 6:3. When you order the assembly identified by reference number 6, you receive all parts identified by reference numbers 6:1, 6:2, and 6:3. However, you may also order any part individually. Reference numbers of this type appear in illustration and in parts lists.

Reference Numbers Indicating Quantity

In an illustration, if a reference number indicates more than one part, the reference number has the form nX y. The n represents the quantity of the part, the X is the multiplication symbol, and the y represents the reference number.

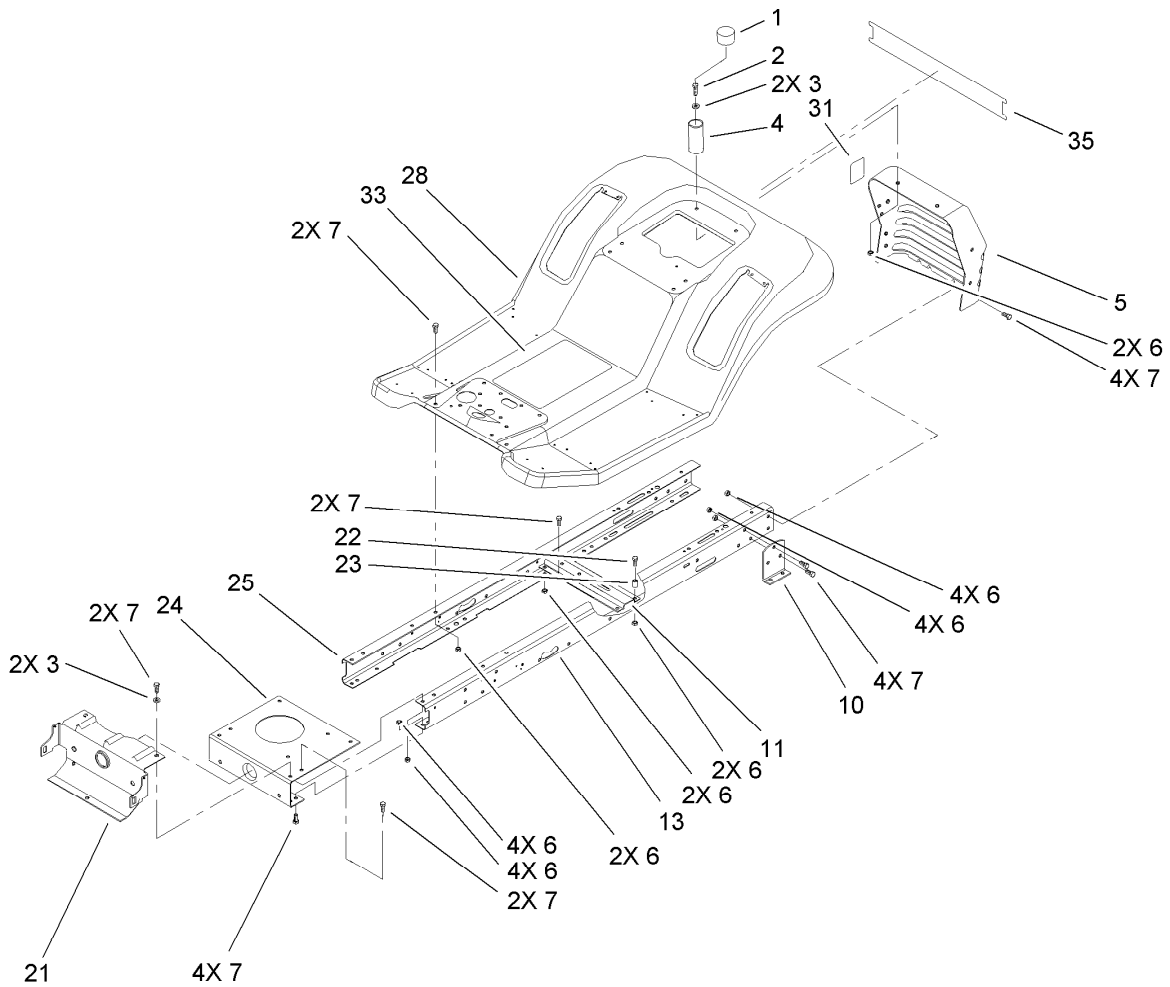
For example, in an illustration, the reference number 2X 37 means that two of the parts identified by reference number 37 are indicated.

List of Abbreviations

AR: as required	HLH: hex lag head	PTO: power-take-off
ASM: assembly	HOC: height-of-cut	RH: right hand
BBC: blade brake control	HSBH: hex socket button head	ROPS: roll-over protection system
BHTF: button head thread forming	HSFH: hex socket flat head	RRB: rear roller brush
CARR: carriage	HSH: hex socket head	SFH: slotted fillister head
CCW: counter clockwise	HWH: hex washer head	SHH: slotted hex head
CW: clockwise	HWHTF: hex washer head thread forming	SHWH: slotted hex washer head
DEG: degrees	HYD: hydraulic	SPH: slotted pan head
DPA: Dual Point Adjustment	LH: left hand	SQH: square head
ECM: electronic control module	LP: Liquefied Petroleum Gas	SRH: slotted round head
EXT: external	LPG: Liquefied Petroleum Gas	STD: standard
FH: flat head	NI: nylon insert	TAP: self tapping
GA: gauge	NPTF: national pipe thread fine	TTH: torx truss head
HD: heavy-duty	PFH: phillips flat head	
HF: hex flange	PPH: phillips pan head	
HH: hex head	PPHTF: phillips pan head thread forming	
HHF: hex head flange	PRH: phillips round head	
HHFTF: hex head flange thread forming	PTH: phillips truss head	
HJ: hex jam		

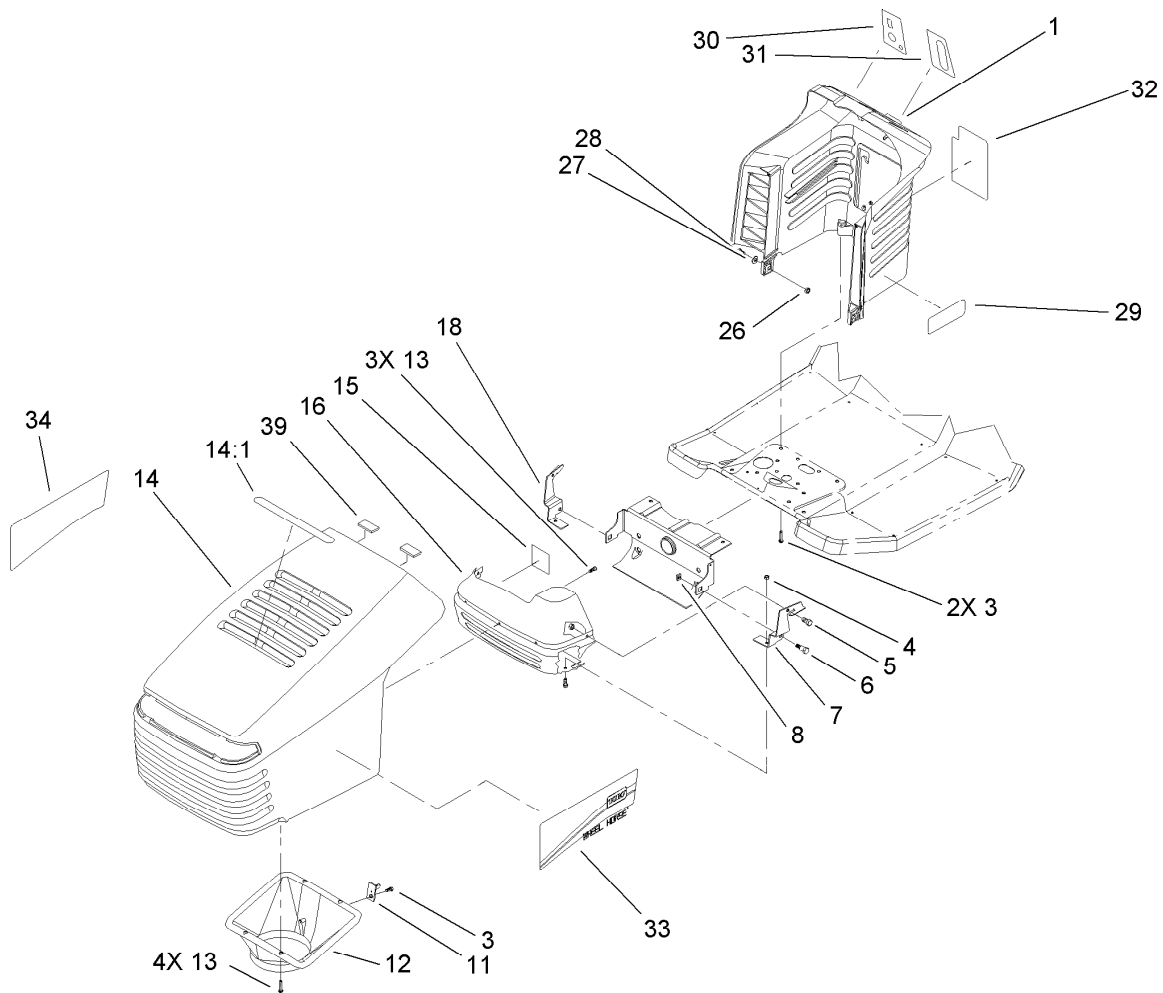
Contents

Frame and Body Assembly	4
Hood and Tower Assembly	5
Rear Body and Seat Assembly	6
Steering Assembly	7
Fixed Steering Assembly	8
Engine Assembly	9
Traction Clutching Assembly	10
Rear Wheel and Tire Assembly	11
Hydro Transaxle Assembly	12
Side Housing and Bearing Assembly Transaxle No. 104-1760	13
Gear Assembly Transaxle No. 104-1760	14
Main Housing and Bearing Assembly Transaxle No. 104-1760	15
Hydro Transaxle Control Assembly	16
38in Deck Assembly	17
38in Deck Blade Drive Assembly	18
38in Deck Engagement Assembly	19
Height-of-Cut Component Assembly	20
Electrical Assembly	21
Cylinder Assembly Briggs and Stratton 286H77-0165-E1	22
Cylinder Head Assembly Briggs and Stratton 286H77-0165-E1	23
Crankshaft Assembly Briggs and Stratton 286H77-0165-E1	24
Crankcase Assembly Briggs and Stratton 286H77-0165-E1	25
Oil Filter, Tube and Pump Assembly Briggs and Stratton 286H77-0165-E1	26
Carburetor Assembly Briggs and Stratton 286H77-0165-E1	27
Governor Assembly Briggs and Stratton 286H77-0165-E1	28
Blower Housing Assembly Briggs and Stratton 286H77-0165-E1	29
Starter Assembly Briggs and Stratton 286H77-0165-E1	30
Gasket Assembly Briggs and Stratton 286H77-0165-E1	31
Carburetor Overhaul Kit Briggs and Stratton 286H77-0165-E1	32
Attachments and Accessories	33



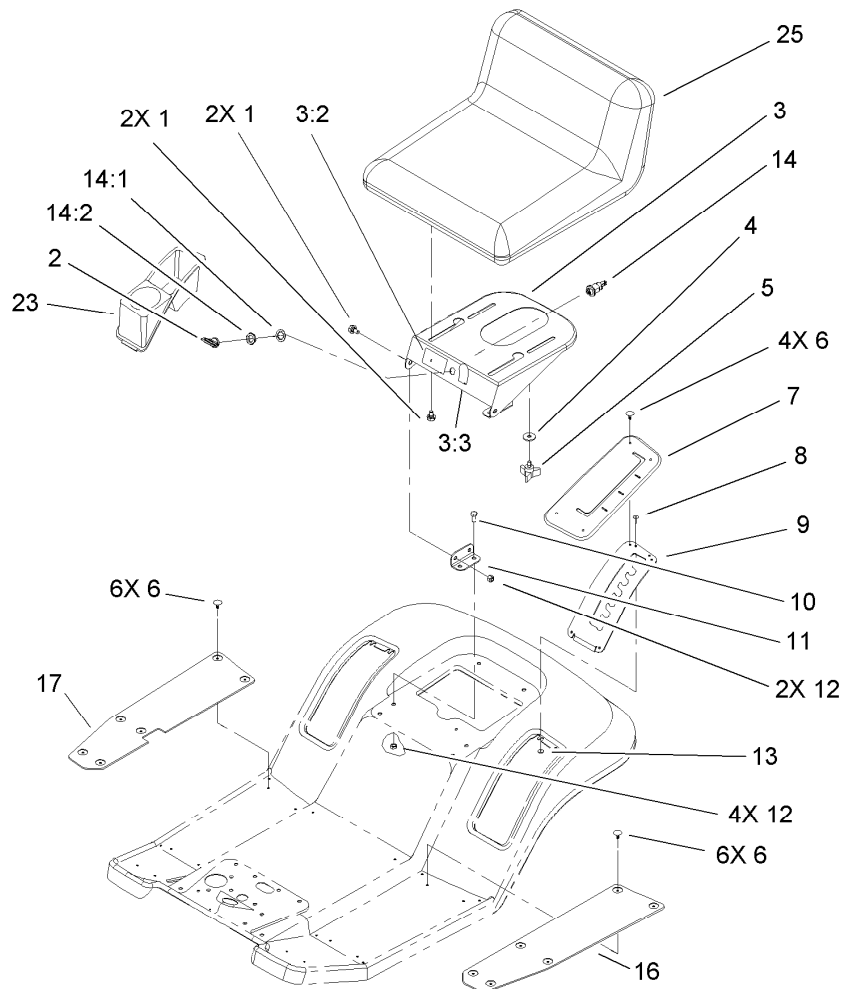
Frame and Body Assembly

<i>Ref.</i>	<i>Part Number</i>	<i>Qty.</i>	<i>Description</i>
1	701178	2	Cap-Protector
2	322-5	2	Screw-HH
3	3256-23	4	Washer-Flat
4	88-6220	2	Spring-Compression
5	99-2957-03	1	Support-Seat/Rear Hitch
6	3296-29	24	Nut-Lock, NI
7	322-3	20	Screw-HH
10	88-5260-03	2	Bracket-Transaxle, Mounting
11	88-4620-03	1	Bracket-Idler Pivot
13	99-2958-03	1	Rail-Frame, LH
21	98-3575-03	1	Support-Front, Axle
22	322-13	2	Screw-HH
23	88-5470	2	Spacer
24	88-4630-03	1	Plate-Mounting, Engine
25	99-2959-03	1	Rail-Frame, RH
28	99-2971	1	Rear Body ASM
31	100-7449	1	Decal-Valve, Dump
33	108-7817	1	Decal
35	105-2498	1	Decal-Rear Fender, Lawn Tractors



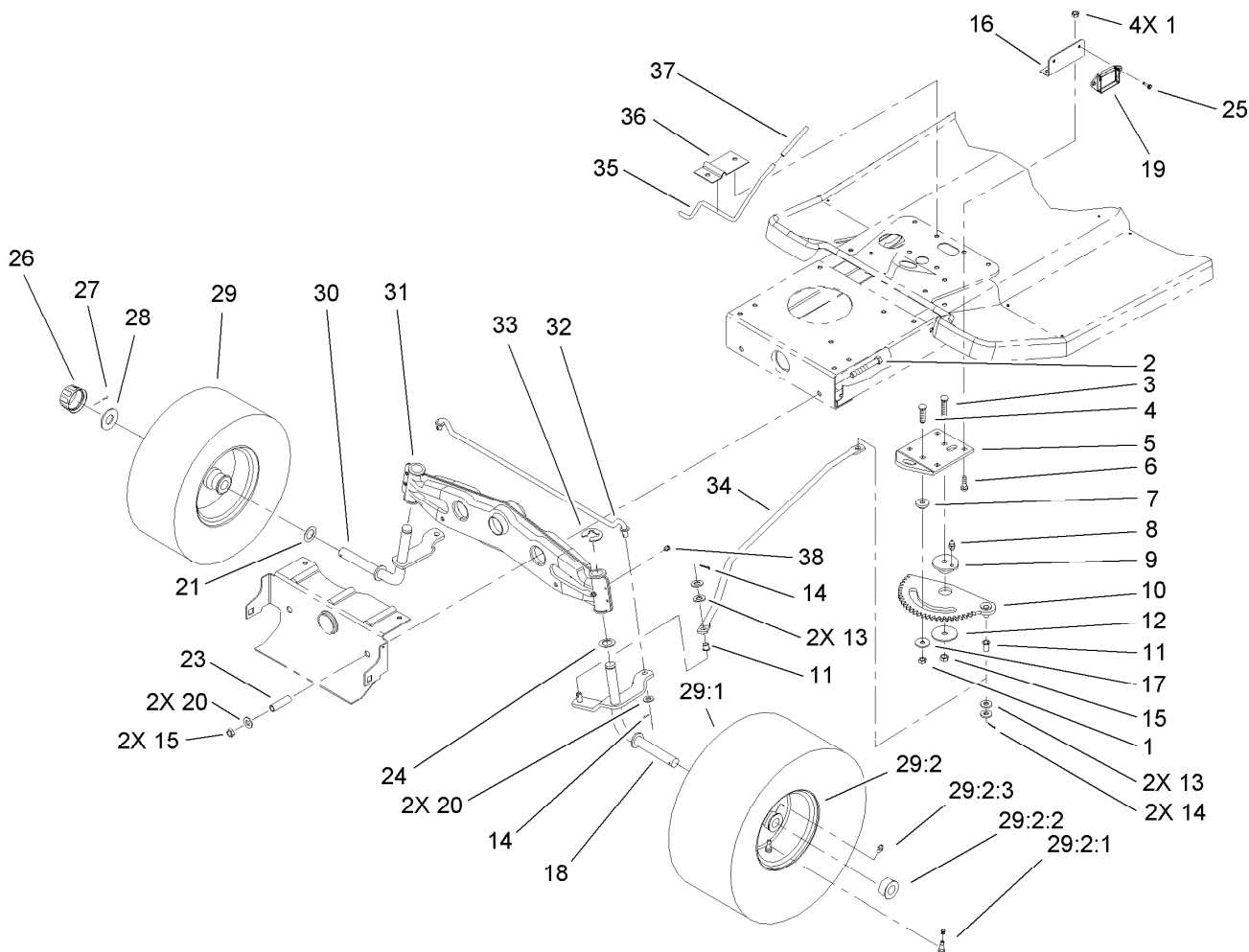
Hood and Tower Assembly

<i>Ref.</i>	<i>Part Number</i>	<i>Qty.</i>	<i>Description</i>	<i>Ref.</i>	<i>Part Number</i>	<i>Qty.</i>	<i>Description</i>
1	107-4920	1	Tower-Steering	16	93-3864-03	1	Shield-Heat
3	46-8091	3	Screw-HWH	18	88-6040-03	1	Bracket-Pivot, RH Hood
4	3296-42	4	Nut-Lock, NI	26	3296-29	2	Nut-Lock, NI
5	321-2	4	Screw-HH	27	3256-23	2	Washer-Flat
6	28-0540	2	Bolt-Shoulder	28	322-3	2	Screw-HH
7	88-6050-03	1	Bracket-Pivot, LH Hood	29	108-7804	2	Decal
8	3290-496	2	Nut-Retainer	30	99-8139	1	Decal
11	94-1984	1	Latch-Pin	31	92-2461	1	Decal
12	93-3891	1	Duct-Air, Hood	32	107-4921	1	Decal-Danger
13	46-8090	7	Screw-Plastite	33	105-2497	1	Decal-Hood
14	92-8650	1	Hood ASM	34	105-2496	1	Decal-Hood
14:1	92-5748	1	Decal-Air Duct	39	94-1980	2	Foam-Hood
15	92-5782	3	Tape-Foil				



Rear Body and Seat Assembly

<i>Ref.</i>	<i>Part Number</i>	<i>Qty.</i>	<i>Description</i>
1	37-8770	4	Bolt-Shoulder
2	63-8360	1	Key-Ignition (W/Shield)
3	106-6436	1	Seat Support ASM
3:2	99-2985	1	Decal-Danger
3:3	99-5339	1	Decal
4	5-4460	2	Washer-Pivot
5	92-9674	2	Knob
6	3290-479	16	Fastener-Panel
7	88-5170	1	Cover-HOC
8	3290-282	2	Rivet-Blind
9	88-5030-03	1	Gate-HOC
10	322-3	4	Screw-HH
11	88-4820-03	2	Bracket-Pivot, Seat
12	3296-29	6	Nut-Lock, NI
13	3269-26	2	Washer-Plain
14	46-5780	1	Starter Switch ASM
14:1	3254-5	1	Washer-Tooth, Internal
14:2	218-461	1	Nut-HH
16	88-5240	1	Mat-Foot, LH
17	88-5230	1	Mat-Foot, RH
23	88-4990	1	Tray-Fender
25	106-6439	1	Seat-11 Inch

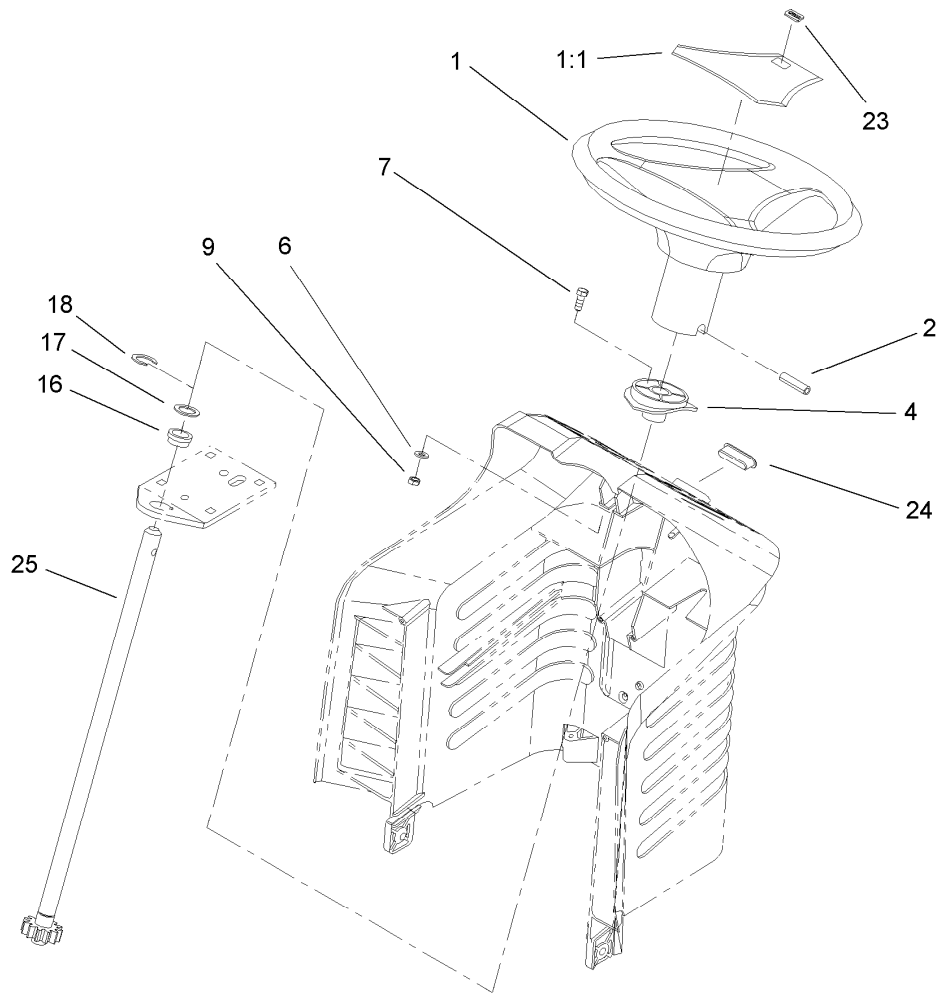


Steering Assembly

Ref.	Part Number	Qty.	Description	Ref.	Part Number	Qty.	Description
1	3296-29	5	Nut-Lock, NI	24	3-6498	2	Washer-Thrust
2	323-13	2	Screw-HH	25	9266714	2	Screw-HWH
3	3231-4	1	Screw-CARR	26	61-9780	2	Cap-Hub
4	3230-3	1	Screw-CARR	27	3272-12	2	Pin-Cotter
5	88-5130-03	1	Bracket-Rack, Steering	28	28-2480	2	Washer-Plain
6	3230-2	4	Bolt-CARR	29		2	Front Wheel And Tire ASM ■
7	88-5010	1	Spacer-Rack, Steering	29:1	99-2988	1	Tire
8	302-26	1	Fitting-Grease	29:2	88-4370	1	Rim ASM
9	88-4670	1	Bushing-Eccentric	29:2:1	232-27	1	Stem-Valve
10	88-5200	1	Rack-Steering	29:2:2	110513	2	Bearing-Wheel
11	52-2891	2	Bushing-Flanged, Nylon	29:2:3	302-5	1	Fitting-Grease
12	111419	1	Washer-Bearing	29:99	232-39	1	Tube-Inner ●
13	3256-25	4	Washer-Flat	30	92-7889-03	1	RH Spindle ASM
14	3272-10	4	Pin-Cotter	31	99-6844-03	1	Axle-Front
15	3296-39	3	Nut-Lock, NI	32	88-5380	1	Tie Rod-Steering
16	99-2956-03	1	Bracket-Module	33	32151-48	2	E-Ring
17	5-4460	1	Washer-Pivot	34	88-4830	1	Link-Drag
18	92-7890-03	1	LH Spindle ASM	35	88-5510	1	Rod-Brake, Parking
19	99-3701	1	Module-Clutch	36	88-5520-03	1	Bracket-Parking Brake
20	3256-24	4	Washer-Flat	37	88-0890	1	Grip-Brake, Parking
21	3-6498	4	Washer-Thrust	38	302-5	2	Fitting-Grease
23	88-5470	2	Spacer				

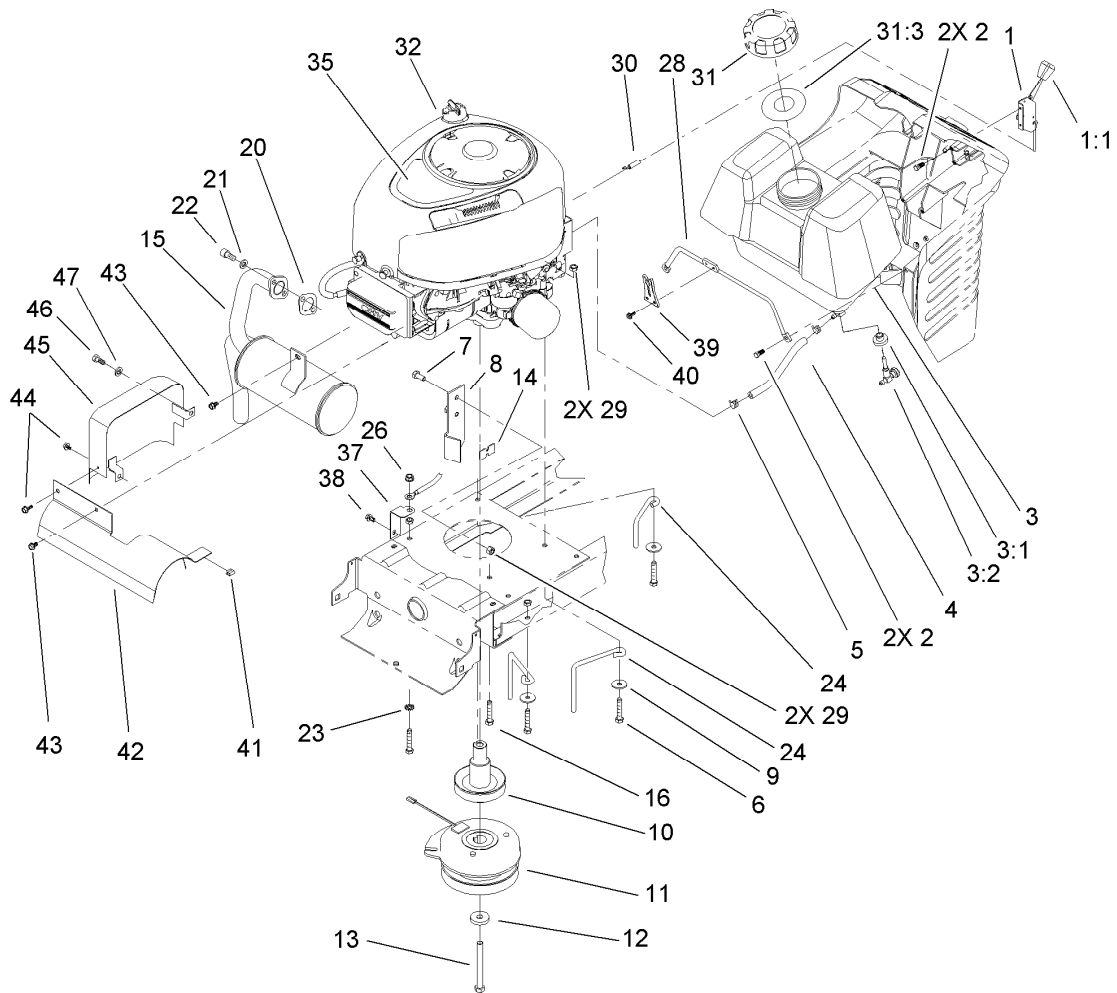
● Not illustrated

■ Not serviced separately



Fixed Steering Assembly

<i>Ref.</i>	<i>Part Number</i>	<i>Qty.</i>	<i>Description</i>
1	98-1467	1	Steering Wheel ASM
1:1	98-1468	1	Cover-Wheel, Steering
2	32121-111	1	Pin-Roll
4	88-4190	1	Bushing-Sliding
6	3256-22	2	Washer-Flat
7	321-4	2	Screw-HH
9	3296-42	2	Nut-Lock, NI
16	88-5150	1	Bearing-Flange
17	3-6498	1	Washer-Thrust
18	32151-48	1	E-Ring
23	98-1459	1	Decal
24	88-4150	1	Plug
25	88-6380	1	Shaft-Steering, Long

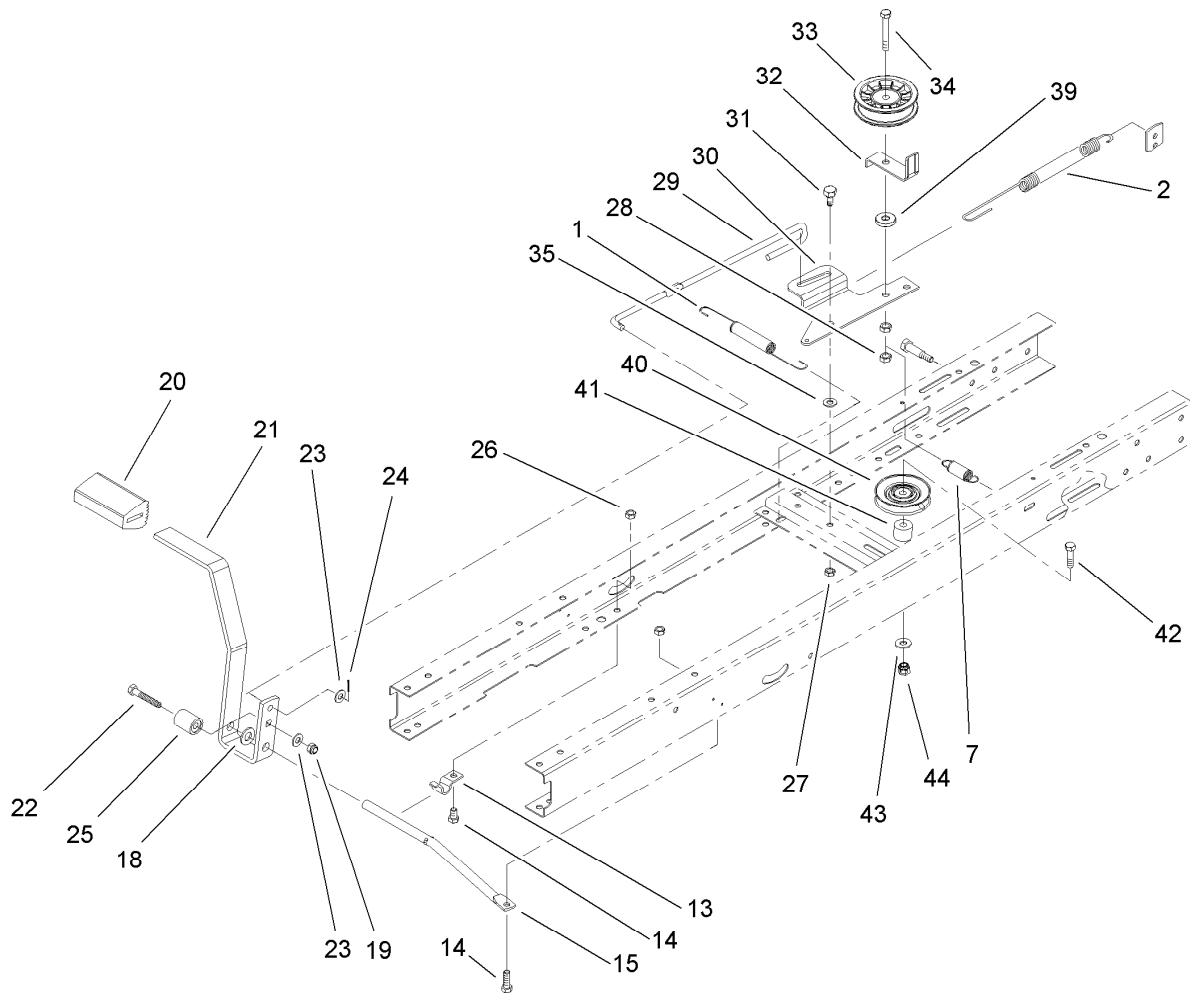


Engine Assembly

Ref.	Part Number	Qty.	Description	Ref.	Part Number	Qty.	Description
1	88-4340	1	Throttle Control ASM	23	3255-8	1	Washer-Lock
1:1	66-0120	1	Knob	24	93-3855	2	Guide-Belt, RH
2	27-0220	4	Screw-Special	26	32149-1	2	Nut-Keps
3	88-3880	1	Gas Tank ASM	28	94-1952	1	Rod-Tank, Gas
3:1	46-6560	1	Bushing	29	3296-29	4	Nut-Lock, NI
3:2	104048	1	Valve-Fuel	30	88-4350	1	Throttle Cable ASM
4	47-2963	1	Hose-Fuel	31	88-3980	1	Gas Cap ASM
5	2412-98	2	Clamp-Hose	31:3	88-4010	1	Gasket-Cap, Gas
6	322-9	3	Screw-HH	32		1	Engine-Briggs & Stratton, 286H77-0165-E1 ● ■
7	322-3	2	Screw-HH	35	107-4905	1	Decal
8	107-4914-03	1	Stop-Clutch	37	93-3809	1	Bracket-Ground
9	5-4460	2	Washer-Pivot	38	9266714	1	Screw-HWH
10	107-4915	1	Pulley-Engine	39	94-1951	1	Latch-Hood
11	108-9510	1	Clutch-PTO, Electric	40	32144-112	2	Screw-HWH
12	112843	1	Washer	41	93-3882	1	Clip-Tinnerman
13	3212-18	1	Screw-HH	42	93-3880-03	1	Shield-Muffler
14	98-5023	1	Bumper	43	9266714	2	Screw-HWH
15	94-1953	1	Muffler-Exhaust	44	32104-76	2	Screw-Thd Cutting,HWH
16	9267154	1	Screw-HWH, Taptite	45	93-8450-03	1	Heat Shield ASM
20	88-4410	1	Gasket-Exhaust	46	322-3	1	Screw-HH
21	3253-4	2	Washer-Lock	47	3253-4	1	Washer-Lock
22	3274-10	2	Screw-HSH				

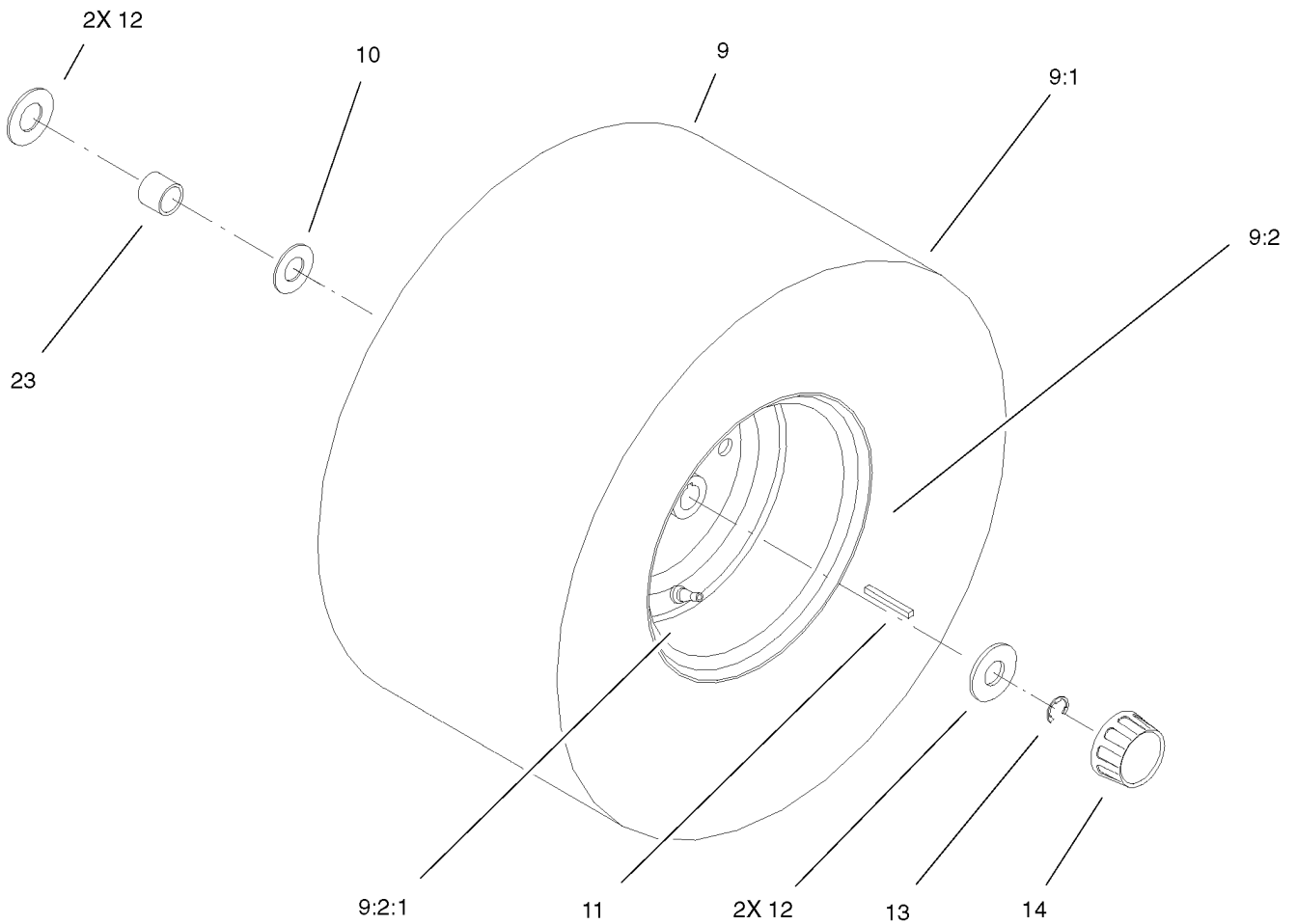
● Not serviced separately

■ Obtain parts from www.briggsandstratton.com



Traction Clutching Assembly

<i>Ref.</i>	<i>Part Number</i>	<i>Qty.</i>	<i>Description</i>	<i>Ref.</i>	<i>Part Number</i>	<i>Qty.</i>	<i>Description</i>
1	27-8890	1	Spring-Extension	27	3296-29	1	Nut-Lock, NI
2	100-7422	1	Spring-Extension	28	3296-59	2	Nut-Lock, NI
7	88-6330	1	Spring-Extension	29	88-5270	1	Rod-Clutch/Brake
13	88-4810	1	Clamp-Pivot, Shift	30	88-6070	1	Arm-Idler
14	322-3	2	Screw-HH	31	37-8770	1	Bolt-Shoulder
15	88-5500	1	Rod-Pivot, Pedal	32	88-5560	1	Guide-Idler, Belt
18	3256-26	1	Washer-Flat	33	104-4160	1	Pulley-Idler
19	3296-47	1	Nut-Lock, NI	34	323-11	1	Screw-HH
20	65-2920	1	Pad-Pedal	35	5-4460	1	Washer-Pivot
21	88-5000-03	1	Pedal-Clutch/Brake, Hydro	39	92-4890	1	Washer
22	322-9	1	Screw-HH	40	92-7102	1	Pulley-Idler
23	3256-23	2	Washer-Flat	41	92-5791	1	Spacer
24	3272-10	1	Pin-Cotter	42	323-10	1	Screw-HH
25	99-6836	1	Spacer	43	3256-3	1	Washer-Flat
26	3296-29	2	Nut-Lock, NI	44	3296-39	1	Nut-Lock, NI

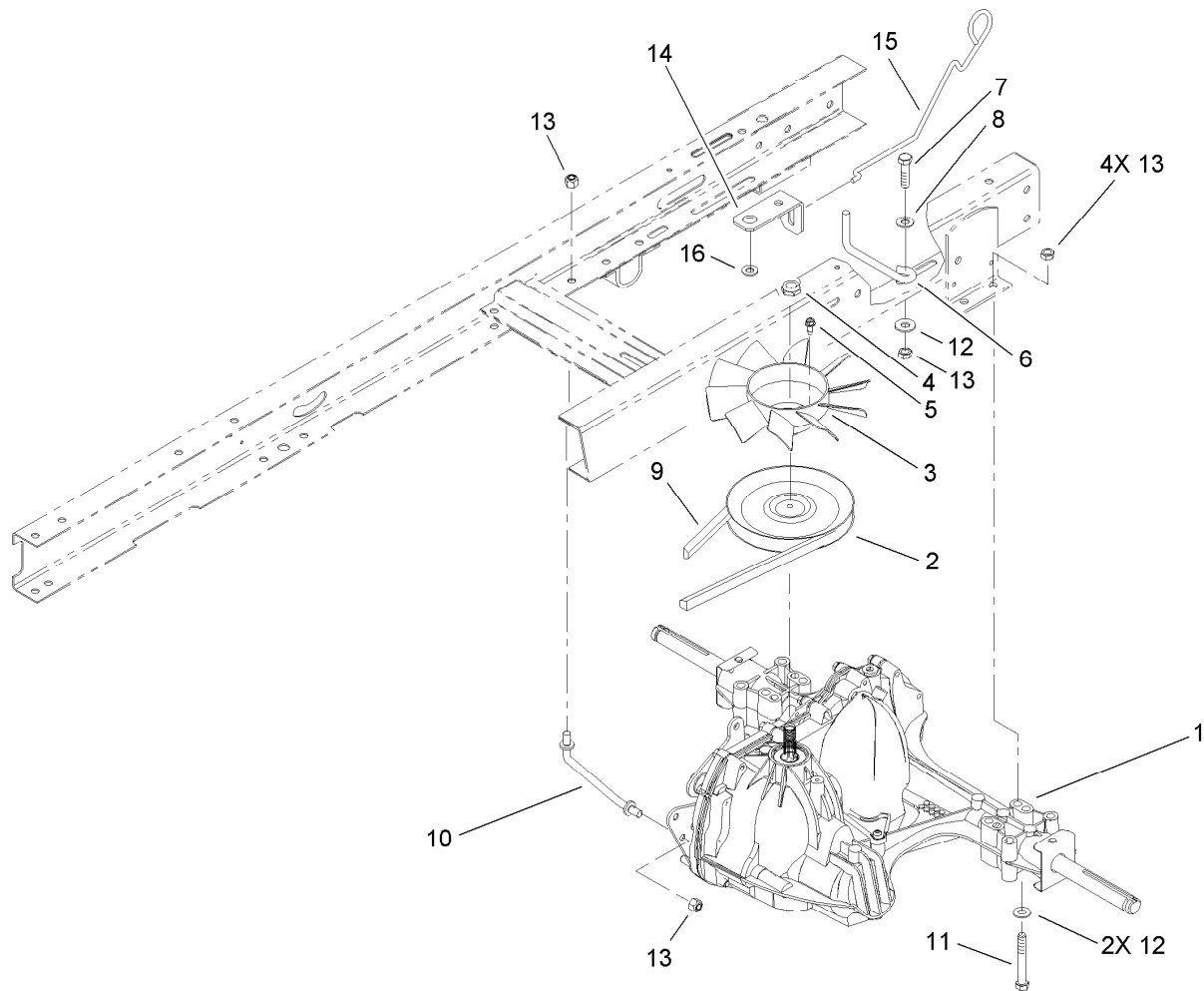


Rear Wheel and Tire Assembly

<i>Ref.</i>	<i>Part Number</i>	<i>Qty.</i>	<i>Description</i>
9		2	Rear Wheel And Tire ■
9:1	99-2996	1	Tire
9:2	88-4390	1	Rim ASM
9:2:1	232-27	1	Stem-Valve
9:99	232-41	1	Tube ●
10	3-6498	2	Washer-Thrust
11	7-0036	2	Key-Square
12	28-2480	4	Washer-Plain
13	32151-48	2	E-Ring
14	61-9780	2	Cap-Hub
23	104-4161	2	Spacer-Wheel

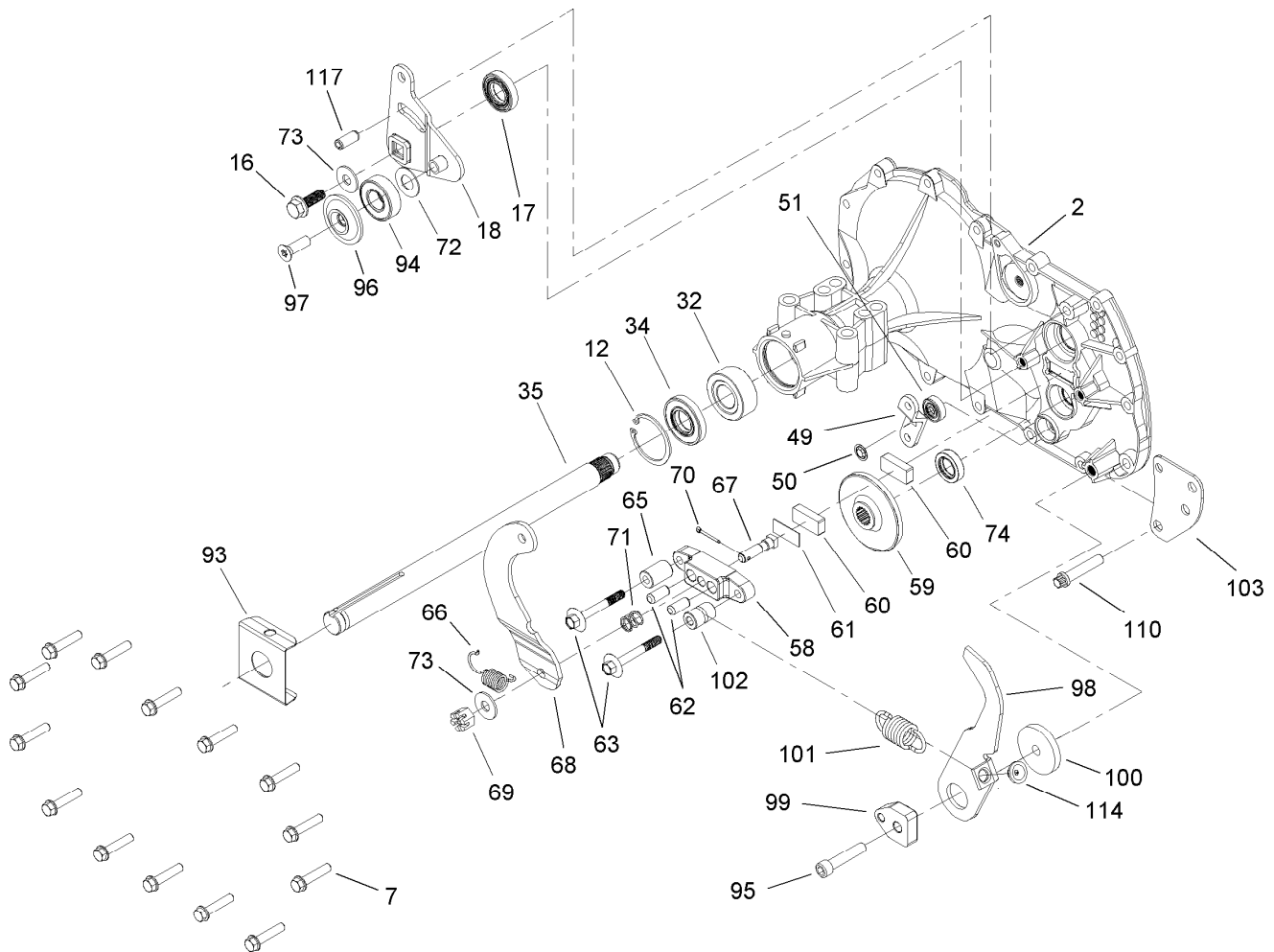
● Not illustrated

■ Not serviced separately



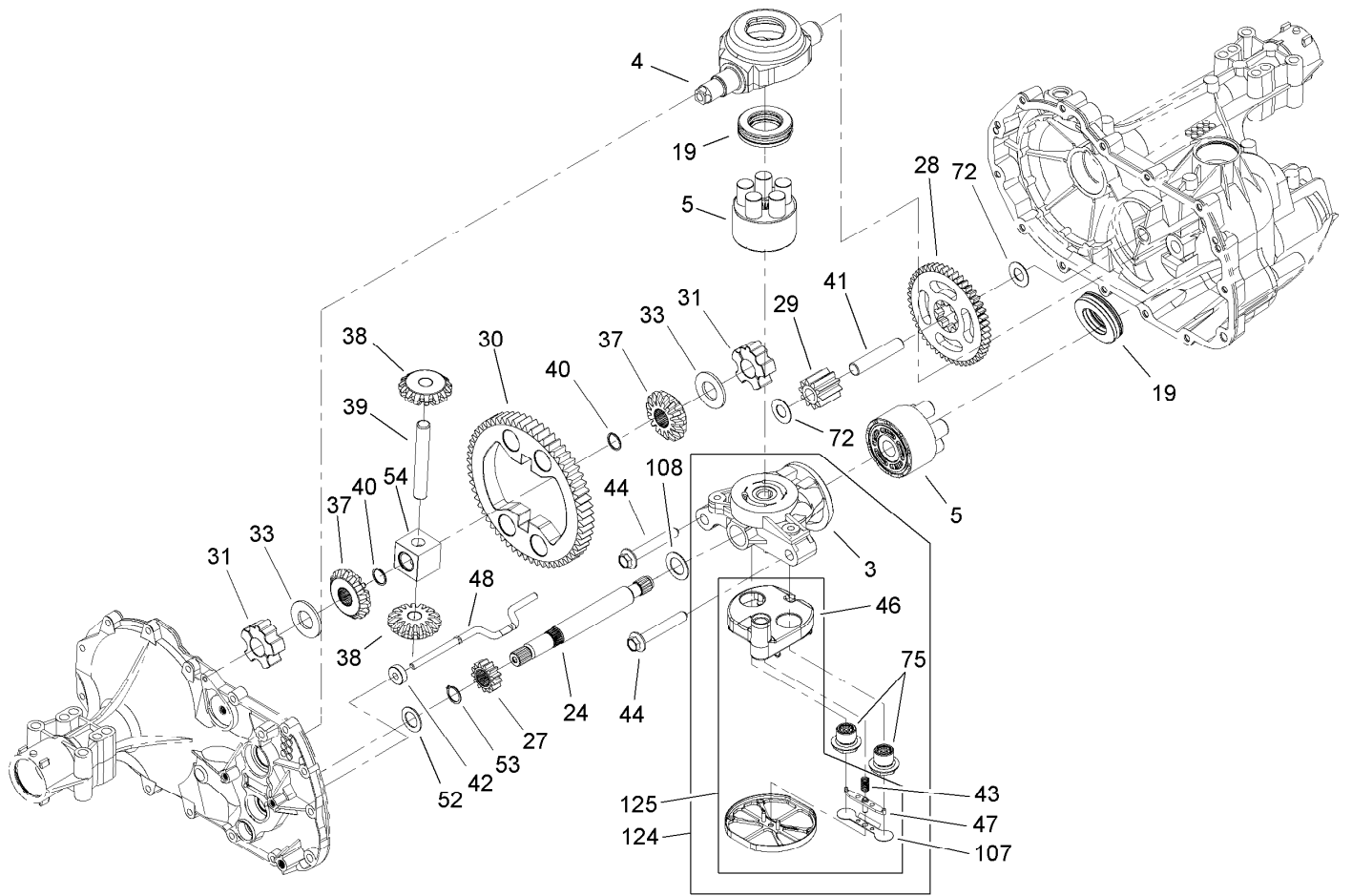
Hydro Transaxle Assembly

<i>Ref.</i>	<i>Part Number</i>	<i>Qty.</i>	<i>Description</i>
1	104-1760	1	Transaxle ASM
2	104-1754	1	Pulley
3	104-2162	1	Fan
4	3296-28	1	Nut-Lock, NI
5	9134304	3	Screw-HWH
6	107-4911	1	Guide-Belt
7	322-5	1	Screw-HH
8	5-4460	1	Washer-Pivot
9	88-6280	1	V-Belt
10	100-6225	1	Strap-Torque
11	322-13	4	Screw-HH
12	3256-23	3	Washer-Flat
13	3296-29	7	Nut-Lock, NI
14	100-7406	1	Bracket-Bypass
15	100-7407	1	Rod-Bypass
16	3256-3	1	Washer-Flat



Side Housing and Bearing Assembly Transaxle No. 104-1760

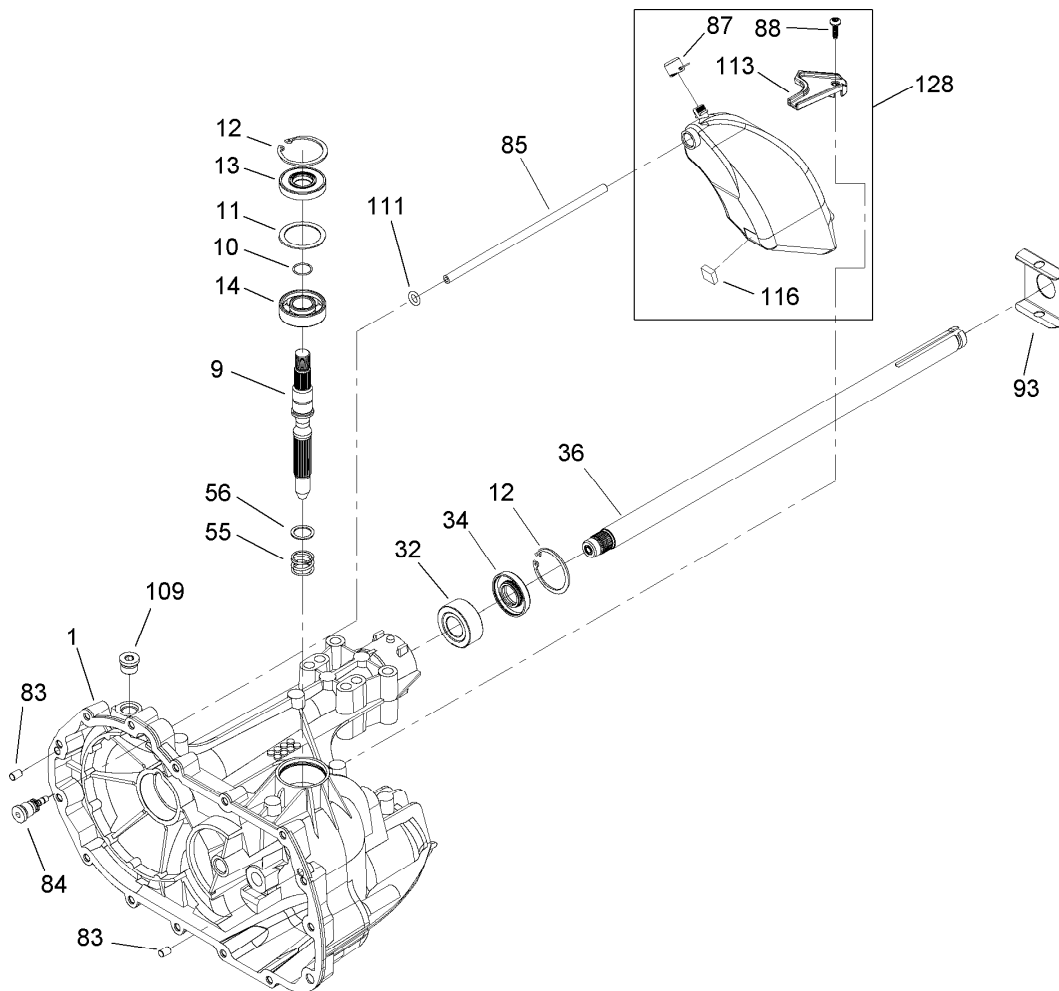
<i>Ref.</i>	<i>Part Number</i>	<i>Qty.</i>	<i>Description</i>	<i>Ref.</i>	<i>Part Number</i>	<i>Qty.</i>	<i>Description</i>
2	104-5302	1	Side Housing ASM	68	104-5346	1	Arm-Brake
7	104-5305	14	Screw-HHF	69	93-3807	1	Nut-Castle
12	104-5309	1	Ring-Retaining	70	3272-7	1	Pin-Cotter
16	104-5312	1	Screw-HF	71	104-2188	1	Spring-Brake, Anti Drag
17	104-5313	1	Seal-Lip	72	94-1933	1	Washer
18	104-5314	1	Arm-Control	73	5-4460	2	Washer-Pivot
32	104-5321	1	Bearing-Sleeve, Outboard	74	104-5347	1	Seal-Oil
34	104-5322	1	Seal-Lip	93	104-5353	1	Clip-Spring
35	104-5323	1	Shaft-Axle, RH	94	104-2156	1	Bearing
49	104-5336	1	Arm-Bypass	95	104-2155	1	Screw
50	104-5337	1	Ring-Retaining	96	104-2157	1	Spacer-Locating
51	104-5338	1	Seal-Lip	97	104-2158	1	Screw-Countersunk
58	104-5343	1	Yoke-Brake	98	104-5354	1	Arm-Return
59	104-5344	1	Rotor-Brake	99	104-2119	1	Puck-Adjusting
60	104-2171	2	Puck-Brake	100	104-5355	1	Washer
61	104-2181	1	Puck-Plate	101	104-5356	1	Spring-Extension
62	104-2176	2	Pin-Brake	102	104-5357	1	Spacer
63	104-5345	2	Screw-HF	103	104-5358	1	Bracket-Torque
65	104-2180	1	Spacer	110	104-2148	1	Screw-TTH
66	104-2184	1	Spring-Arm, Brake (Bias)	114	104-5363	1	Guide-Spring
67	104-2174	1	Bolt-SQH	117	104-5365	1	Pin-Spring



Gear Assembly Transaxle No. 104-1760

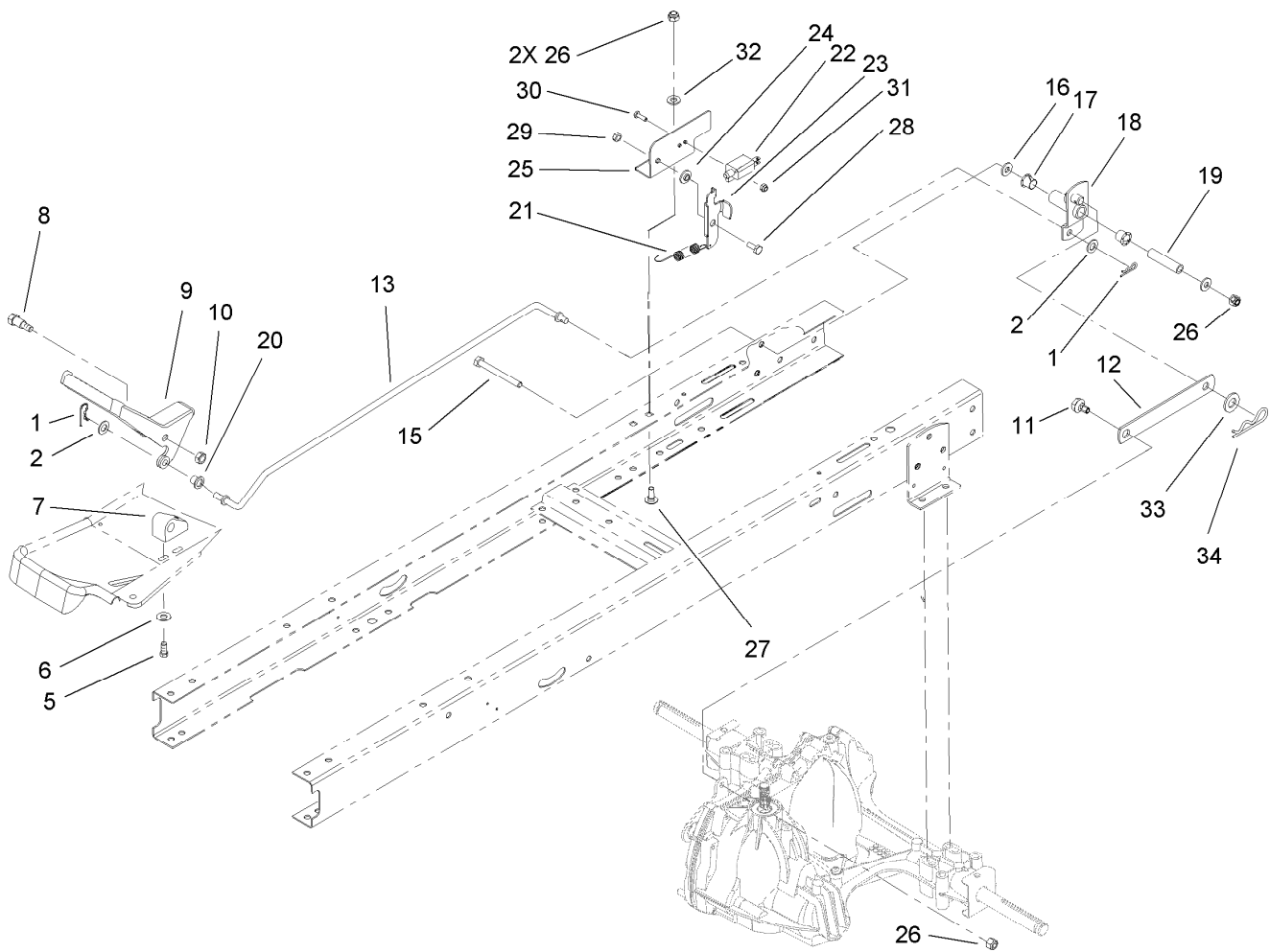
Ref.	Part Number	Qty.	Description	Ref.	Part Number	Qty.	Description
3	104-5303	1	Center Section ASM	43	104-5331	1	Spring-Bypass
4	104-5304	1	Swashplate-Trunnion	44	94-6926	2	Bolt
5	104-2106	2	Cylinder Block ASM	46	104-5333	1	Base-Filter
19	94-6922	2	Bearing-Thrust	47	104-5334	1	Actuator-Bypass
24	104-5315	1	Shaft-Motor	48	104-5335	1	Rod-Actuator, Bypass
27	104-5316	1	Gear-Pinnion, 13T	52	104-5339	1	Washer-Flat
28	104-5317	1	Gear-10T/48T	53	104-5340	1	Ring-Retaining
29	104-5318	1	Gear-Jackshaft, 10T	54	104-5341	1	Bearing-Block, Center
30	104-5319	1	Gear-Bull 60T	72	94-1933	2	Washer
31	104-5320	2	Bearing-Sleeve	75	104-5348	2	Check Plug ASM
33	94-1943	2	Washer	107	104-5359	1	Deflector
37	104-5325	2	Gear-Miter	108	104-5360	1	Washer
38	104-5326	2	Gear-Miter 15T	124	106-6522	1	Center Section Filter Bypass ASM
39	104-5327	1	Shaft	125	106-6523	1	Filter ASM
40	104-5328	2	Ring-Retaining, Spiral	127	104-5368	1	Seal Kit ●
41	104-5329	1	Pin-Jackshaft				
42	104-5330	1	Magnet-Ring				

● Not illustrated



Main Housing and Bearing Assembly Transaxle No. 104-1760

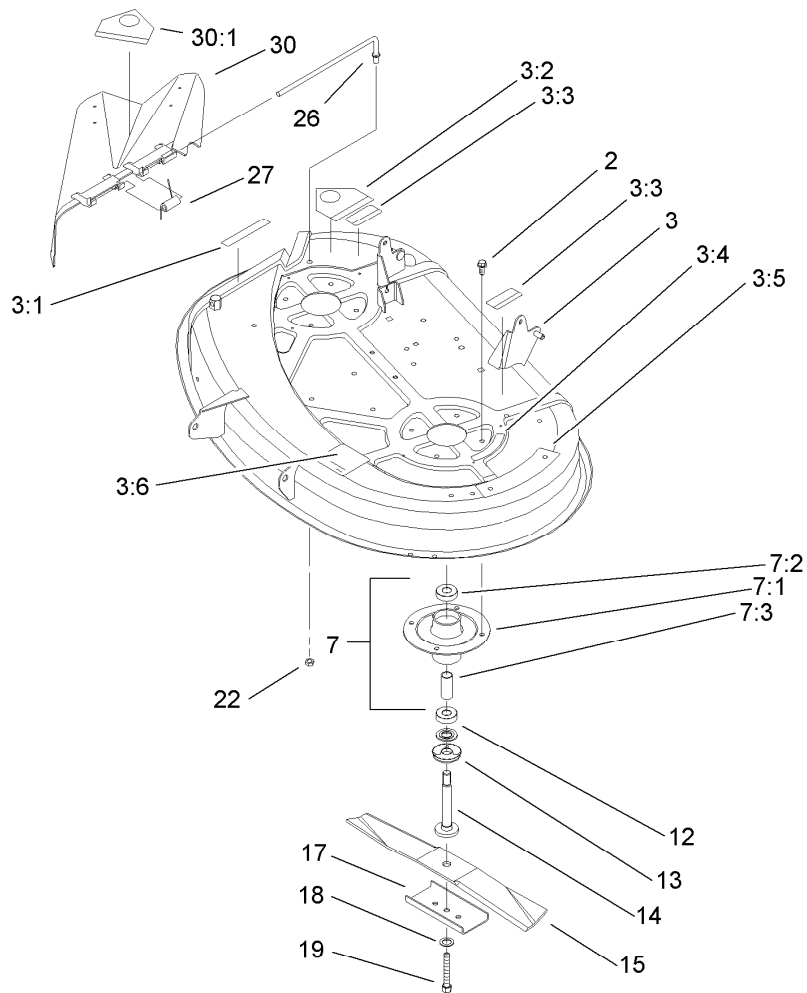
<i>Ref.</i>	<i>Part Number</i>	<i>Qty.</i>	<i>Description</i>
1	104-5301	1	Main Housing ASM
9	104-5306	1	Shaft-Input
10	104-5307	1	Ring-Retaining
11	104-5308	1	Spacer
12	104-5309	2	Ring-Retaining
13	104-5310	1	Seal-Lip
14	104-5311	1	Bearing-Ball
32	104-5321	1	Bearing-Sleeve, Outboard
34	104-5322	1	Seal-Lip
36	104-5324	1	Shaft-Axle, LH
55	94-1936	1	Spring-Block
56	94-1937	1	Washer-Thrust
83	104-2170	2	Pin
84	104-5349	1	Fitting-Sae
85	104-5350	1	Hose-Expansion, Tank
87	104-5351	1	Cap-Vent
88	104-5352	1	Bolt-Tapping, Self
93	104-5353	1	Clip-Spring
109	104-2189	1	Plug-Thread, Straight
111	104-5361	1	O-Ring
113	104-5362	1	Bracket-Support
116	104-5364	1	Sponge-Silicone
128	104-5369	1	Expansion Tank Kit



Hydro Transaxle Control Assembly

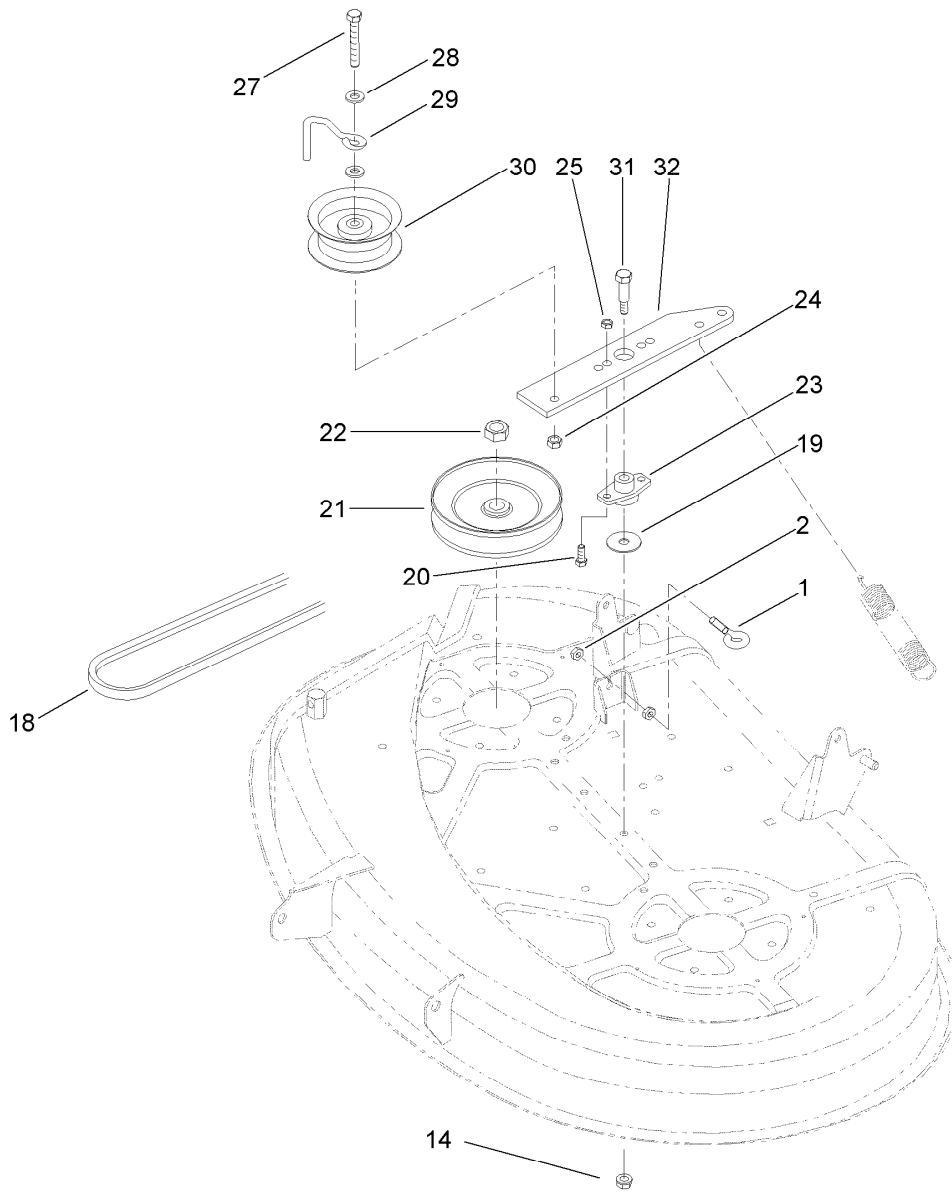
Ref.	Part Number	Qty.	Description
1	3290-307	2	Pin-Hair
2	3256-38	2	Washer-Flat
5	46-8090	2	Screw-Plastite
6	3256-22	2	Washer-Flat
7	88-4690	1	Block-Pivot
8	23-0310	1	Screw-Shoulder, HH
9	99-6120-05	1	Pedal-Control, Speed
10	3296-59	1	Nut-Lock, NI
11	37-8770	1	Bolt-Shoulder
12	99-6833	1	Link-Control, Speed
13	99-6839	1	Rod-Control, Speed
15	322-14	1	Screw-HH
16	3256-2	2	Washer-Flat
17	256-257	2	Bushing-Nyliner
18	99-6835-03	1	Pivot ASM
19	99-6832	1	Spacer-Pivot

Ref.	Part Number	Qty.	Description
20	99-6121	1	Bushing-Flanged
21	99-6805	1	Spring-Extension
22	95-1653	1	Switch-Pole, Single
23	99-6807	1	Bracket-Pivot
24	99-6808	1	Washer-Stepped
25	99-6806	1	Bracket-Adjustment
26	3296-29	4	Nut-Lock, NI
27	3230-18	2	Screw-CARR
28	99-6810	1	Screw-HH
29	3296-42	1	Nut-Lock, NI
30	3290-392	2	Screw-SHH
31	3296-1	2	Nut-Lock
32	3256-23	2	Washer-Flat
33	3256-26	1	Washer-Flat
34	9335054	1	Pin-Hair



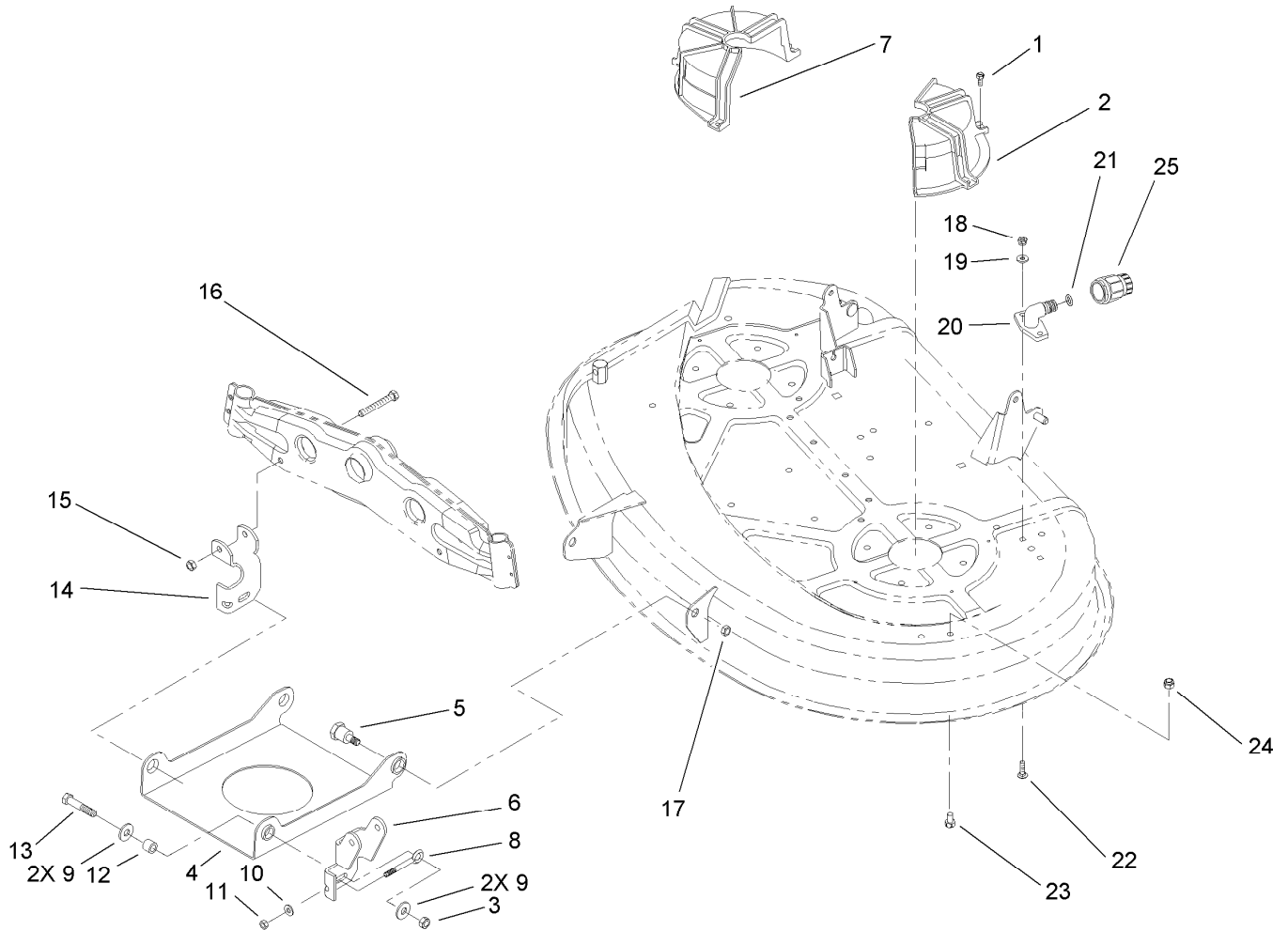
38in Deck Assembly

Ref.	Part Number	Qty.	Description
2	32144-41	8	Screw-Taptite
3	99-5846	1	Deck ASM
3:1	68-3650	1	Decal-Danger, Deflector
3:2	93-1122	1	Decal-Danger
3:3	55-4300	2	Decal-Warning
3:4	68-3660	1	Decal-Danger, Shield
3:5	79-3140	1	Decal-Danger
3:6	93-6679	1	Decal-Routing, Belt
7		2	Spindle ASM
7:1	88-4510	1	Housing-Spindle
7:2	100-1048	2	Bearing-Ball
7:3	62-3661	1	Spacer
12	80-4380	2	Spacer
13	80-4360	2	Shield-Bearing
14	80-4341	2	Shaft-Spindle
15	14-7799	1	Blade Kit
17	80-0510-03	2	Stiffener-Blade
18	3290-465	2	Washer-Belleville
19	26-0671	2	Screw-HH
22	3296-39	1	Nut-Lock, NI
26	95-1661	1	Rod-Pivot
27	57-6950	1	Spring
30	93-0317	1	Deflector ASM
30:1	93-1122	1	Decal-Danger



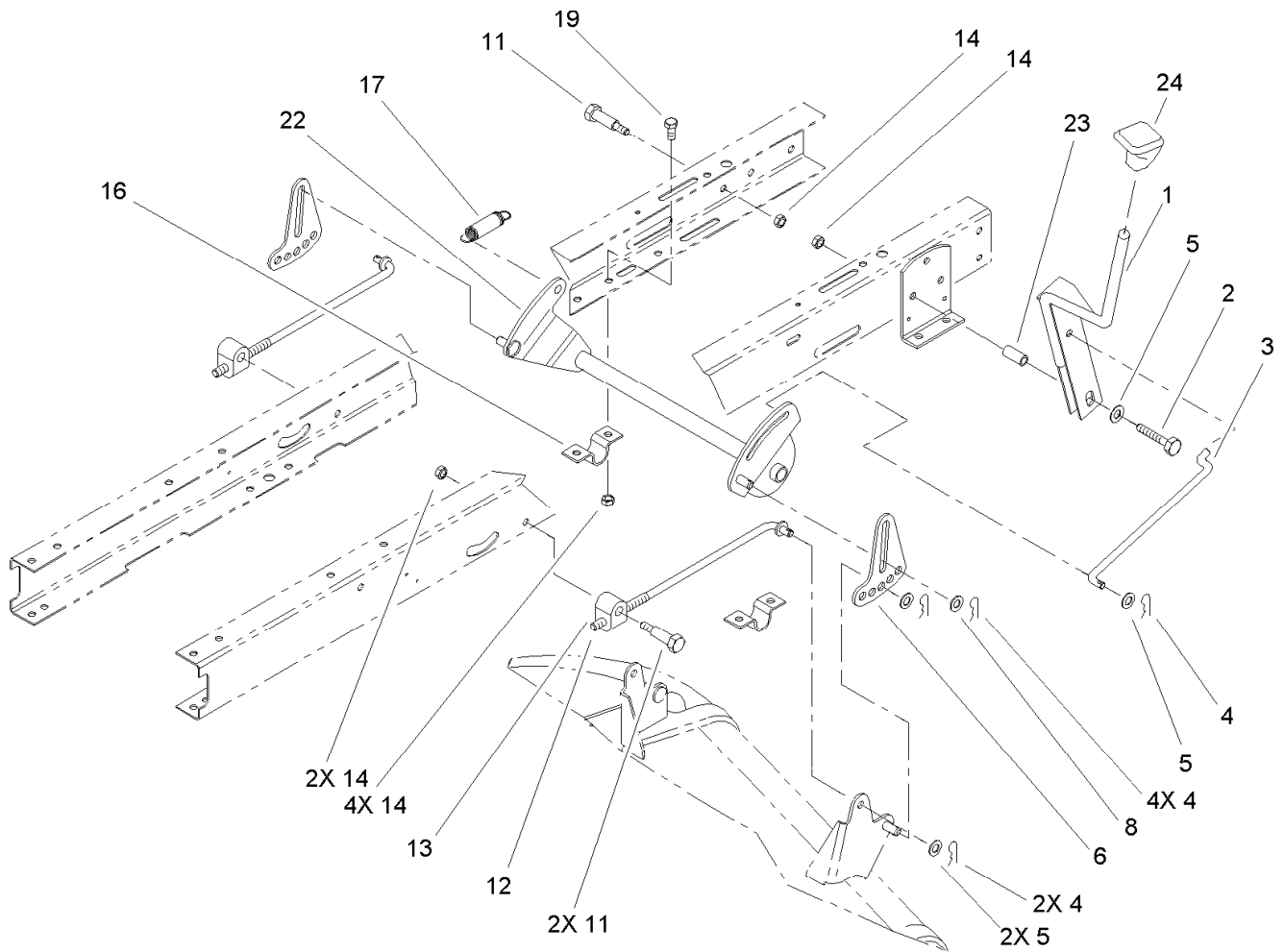
38in Deck Blade Drive Assembly

<i>Ref.</i>	<i>Part Number</i>	<i>Qty.</i>	<i>Description</i>	<i>Ref.</i>	<i>Part Number</i>	<i>Qty.</i>	<i>Description</i>
1	85-9910	1	Eyebolt	24	3296-39	1	Nut-Lock, NI
2	3218-2	2	Nut-Jam	25	3296-29	2	Nut-Lock, NI
14	3296-58	1	Nut-Lock, NI	27	323-12	1	Screw-HH
18	88-6250	1	Belt-V	28	3256-24	2	Washer-Flat
19	3256-68	1	Washer-Flat	29	107-7307	1	Guide-Idler, Belt
20	322-5	2	Screw-HH	30	88-5630	1	Pulley-Idler, Flat
21	88-5330	2	Pulley ASM	31	7-0030	1	Screw-Shoulder, HH
22	3219-6	2	Nut-Hex	32	88-4870-03	1	Arm-Idler
23	88-4980	1	Bushing-Arm, Idler				



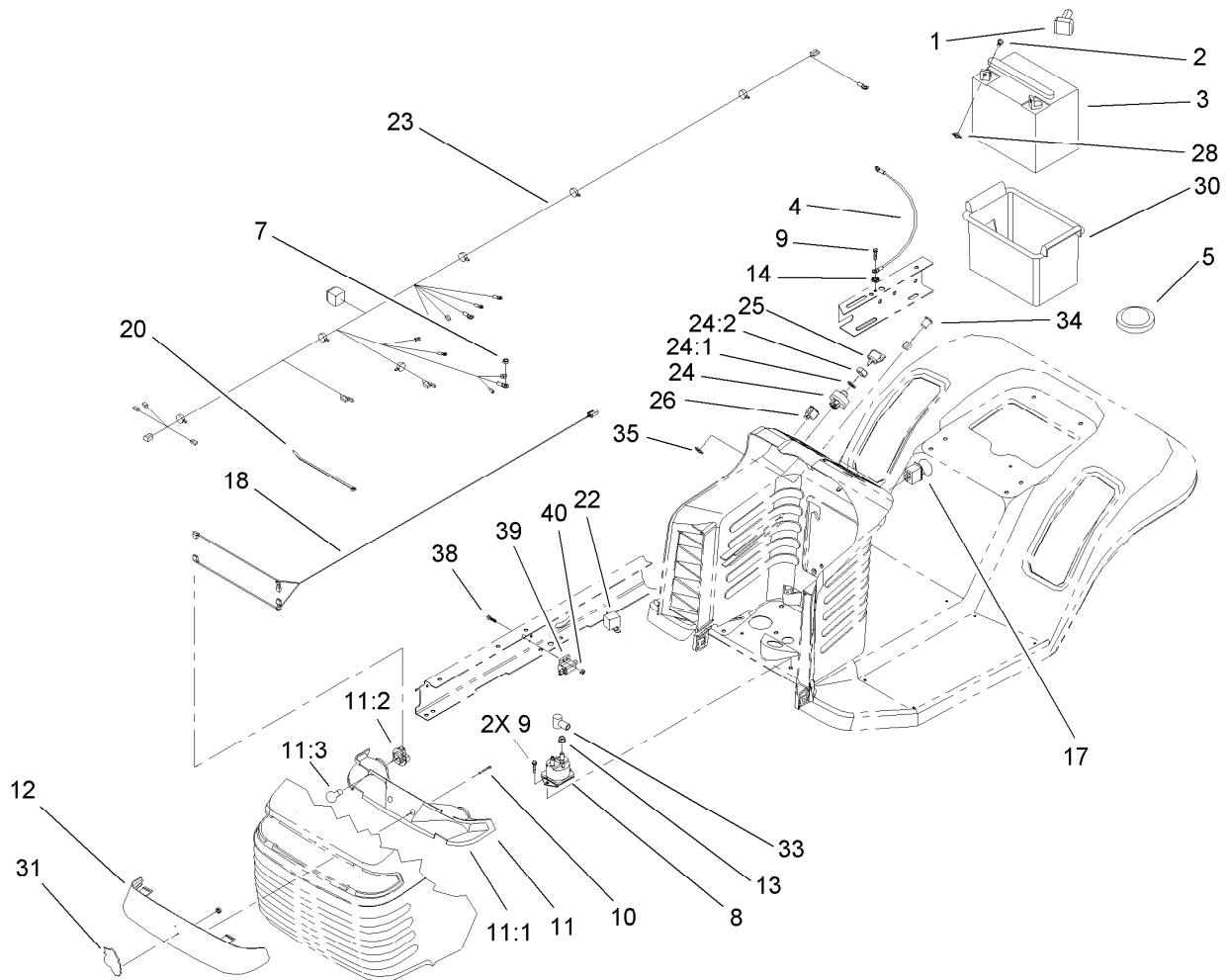
38in Deck Engagement Assembly

<i>Ref.</i>	<i>Part Number</i>	<i>Qty.</i>	<i>Description</i>	<i>Ref.</i>	<i>Part Number</i>	<i>Qty.</i>	<i>Description</i>
1	32104-76	5	Screw-Thd Cutting,HWH	13	323-9	2	Screw-HH
2	88-4030	1	Guide-Belt, LH	14	94-1970-03	1	Bracket-Suspension, RH
3	3296-39	2	Nut-Lock, NI	15	3296-29	2	Nut-Lock, NI
4	93-3881-03	1	Pan-Deck Suspension, Front	16	322-12	2	Screw-HH
5	94-5823	2	Bolt-Shoulder, HH	17	3296-23	2	Nut-Lock, NI
6	94-1971-03	1	Bracket-Suspension, LH	18	3296-16	2	Nut-Lock, NI
7	88-4020	1	Guide-Belt, RH	19	3256-1	2	Washer-Flat
8	61-9980	2	Screw-Adjusting	20	95-2747	1	Fitting-Washout
9	80-6990	4	Washer-Hardened	21	46-6290	1	O-Ring, Seal
10	3256-22	2	Washer-Flat	22	3229-1	2	Bolt-CARR
11	3296-42	2	Nut-Lock, NI	23	322-1	2	Screw-HH
12	93-9847	2	Spacer	24	3296-29	2	Nut-Lock, NI
				25	95-3270	1	Connector-Hose



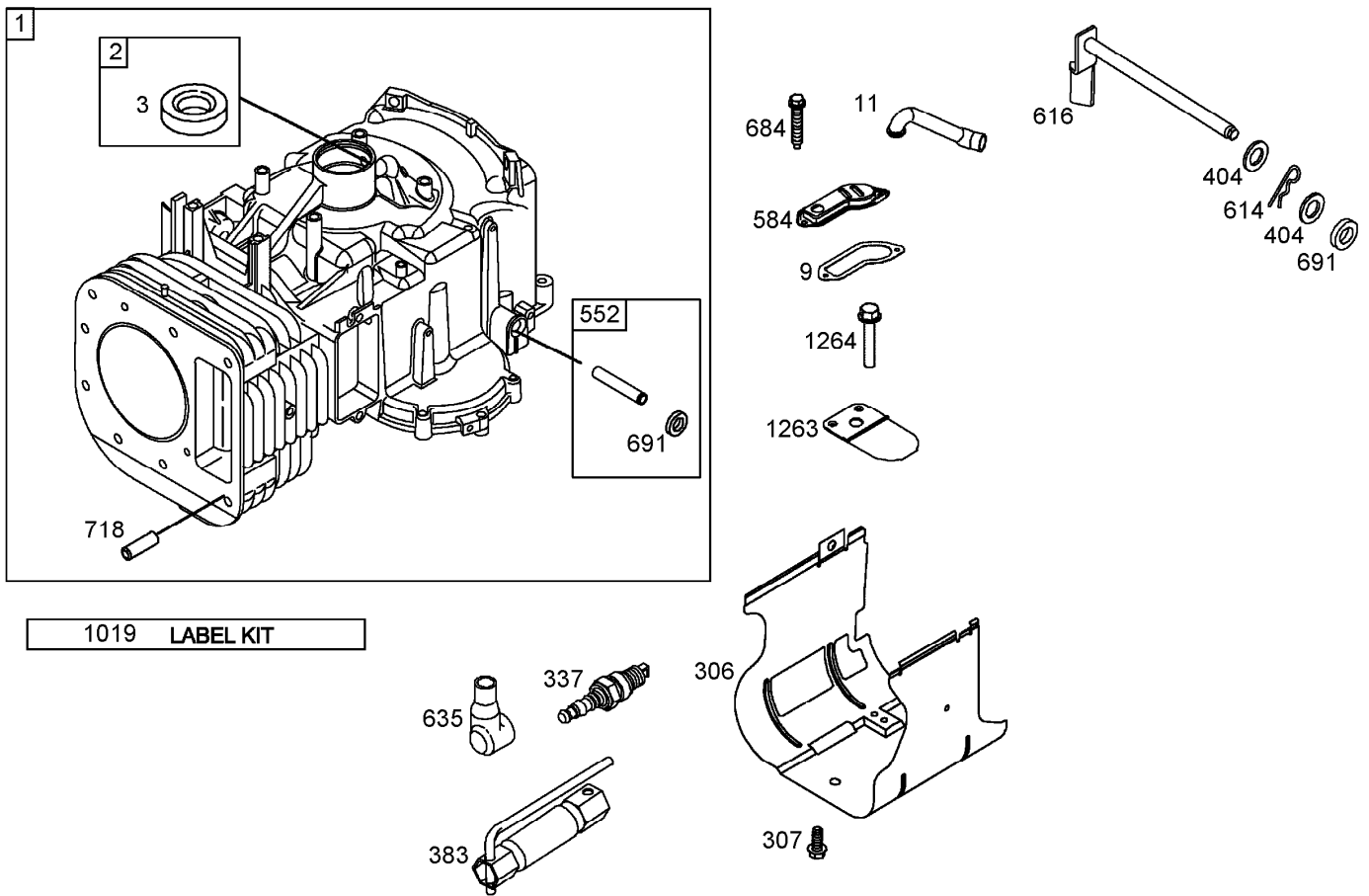
Height-of-Cut Component Assembly

<i>Ref.</i>	<i>Part Number</i>	<i>Qty.</i>	<i>Description</i>
1	93-3822-03	1	HOC Lever ASM
2	322-32	1	Screw-HH
3	88-5900	1	Link-HOC
4	3290-307	7	Pin-Hair
5	3256-24	4	Washer-Flat
6	88-5570-03	2	Link-Adjusting, HOC
8	80-6990	4	Washer-Hardened
11	7-0030	3	Screw-Shoulder, HH
12	88-5450	2	Rod-Hanger, Rear
13	88-4230	2	Trunnion-HOC
14	3296-29	8	Nut-Lock, NI
16	88-4730	2	Clamp-Pivot, HOC
17	88-6460	1	Spring-Extension
19	322-3	4	Screw-HH
22	88-5110-03	1	Pivot ASM
23	65-7210	1	Spacer
24	94-5565	1	Knob-Shift



Electrical Assembly

Ref.	Part Number	Qty.	Description	Ref.	Part Number	Qty.	Description
1	28-8080	1	Boot-Terminal	20	614249	1	Tie-Cable
2	321-4	2	Screw-HH	22	98-7249	1	Relay
3	104-1755	1	Battery-155 Cca	23	107-4912	1	Harness-Wire
4	44-8110	1	Wire ASM	24	88-9830	1	Key Switch ASM
5	100-3524	1	Switch-Seat	24:1	3254-5	1	Washer-Tooth, Internal
7	32149-2	1	Nut-Keps	24:2	218-461	1	Nut-HH
8	106-8245	1	Solenoid-Starter	25	63-8360	1	Key-Ignition (W/Shield)
9	9266714	3	Screw-HWH	26	92-8875	1	Switch-Rocker
10	32144-32	2	Screw	28	32103-22	2	Nut-Wing
11	88-3970	1	Headlight Reflector ASM	30	88-4040	1	Box-Battery
11:1	93-8741	1	Reflector-Light	31	95-4248	1	Emblem
11:2	116262	2	Socket-Headlight	33	93-3190	1	Boot-Insulator, Terminal
11:3	7228	2	Bulb	34	95-7652	1	Light-Indicator
12	88-3960	1	Lens-Headlight	35	32151-80	1	Nut-Push-On, Circular
13	32149-2	2	Nut-Keps	38	3274-14	2	Screw-HSH
14	3255-7	2	Washer-Lock/EXT	39	65-7410	1	Switch-Pole, Single
17	93-9998	1	Switch-PTO	40	3296-2	2	Nut-Lock, NI
18	99-1935	1	Harness-Headlight				

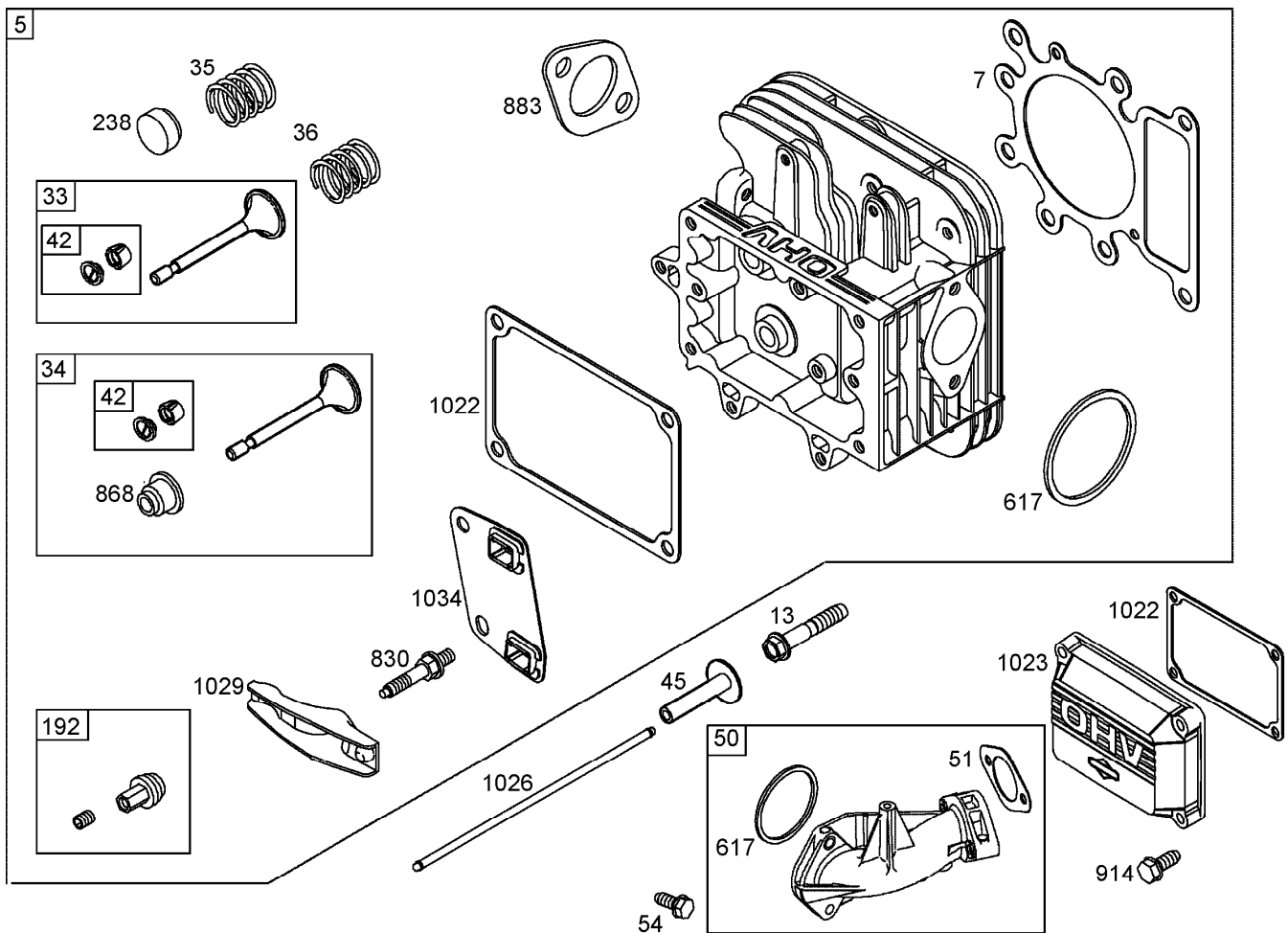


Cylinder Assembly Briggs and Stratton 286H77-0165-E1

Ref.	Part Number	Qty.	Description
1	697132	1	Cylinder ASM ■
2	399265	1	Bushing And Seal Kit ■
3	391086	1	Seal-Oil ■
9	697109	1	Gasket-Breather ■
11	697113	1	Tube-Breather ■
48	697762	1	Short Block ASM ■●
306	697107	1	Shield-Cylinder ■
307	691003	1	Screw (Cylinder Shield) ■
337	691043	1	Spark Plug ■
383	89838	1	Wrench-Plug, Spark ■
404	691691	1	Washer (Governor Crank) ■
552	697144	1	Bushing-Crank, Governor ■
584	697112	1	Cover-Passage, Breather ■
614	691620	1	Pin-Cotter ■
616	692012	1	Crank-Governor ■
635	691909	1	Boot-Spark Plug ■
684	697157	1	Screw (Breather Passage Cover) ■
691	692407	1	Seal-Shaft, Governor ■
718	690959	1	Pin-Locating ■
1019	697143	1	Label Kit ■
1263	697124	1	Reed-Breather ■
1264	697104	1	Screw (Breather Reed) ■

● Not illustrated

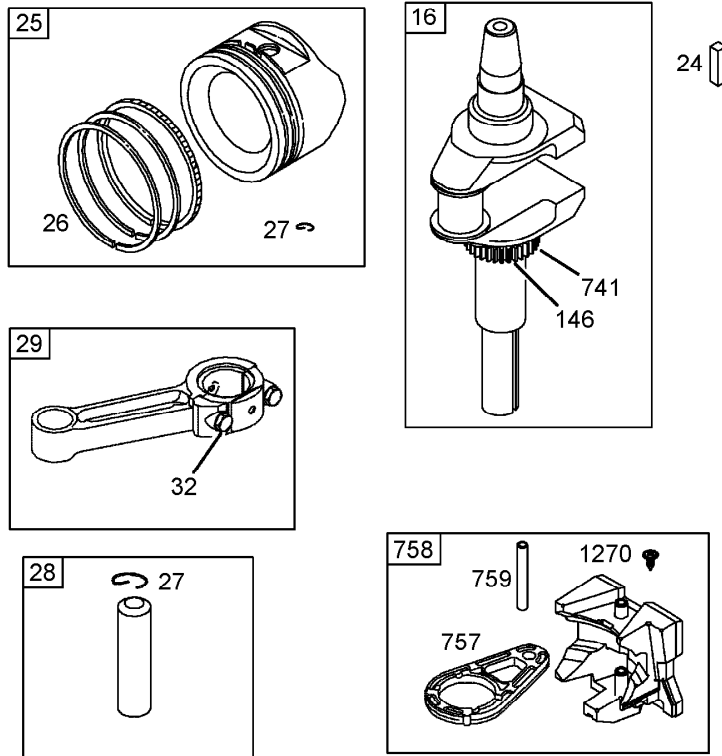
■ Obtain parts from www.briggsandstratton.com



Cylinder Head Assembly Briggs and Stratton 286H77-0165-E1

Ref.	Part Number	Qty.	Description	Ref.	Part Number	Qty.	Description
5	698148	1	Head cylinder ●	238	691843	1	Cap-Valve ●
7	273280	1	Gasket-Head, Cylinder ●	617	692138	1	Seal o Ring (Intake Manifold) ●
13	690360	1	Screw (Cylinder Head Gasket) ●	830	691095	1	Stud-Arm, Rocker ●
33	695760	1	Valve-Exhaust ●	868	690968	1	Seal-Valve ●
34	695761	1	Valve-Intake ●	883	692236	1	Gasket-Exhaust ●
35	691279	1	Spring-Valve (Intake) ●	914	691108	1	Screw (Rocker Cover) ●
36	691279	1	Spring-Valve (Exhaust) ●	1022	272475	1	Gasket-Cover, Rocker ●
42	499586	1	Keeper-Valve ●	1023	692492	1	Cover-Rocker ●
45	690564	1	Tappet-Valve ●	1026	692003	1	Rod push ●
50	690193	1	Manifold-Intake ●		692011	1	Rod push ●
51	692137	1	Gasket-Intake ●	1029	691751	1	Arm-Rocker ●
54	691148	1	Screw (Intake Manifold) ●	1034	690822	1	Guide-Rod, Push ●
192	691986	1	Adjustor-Arm, Rocker ●				

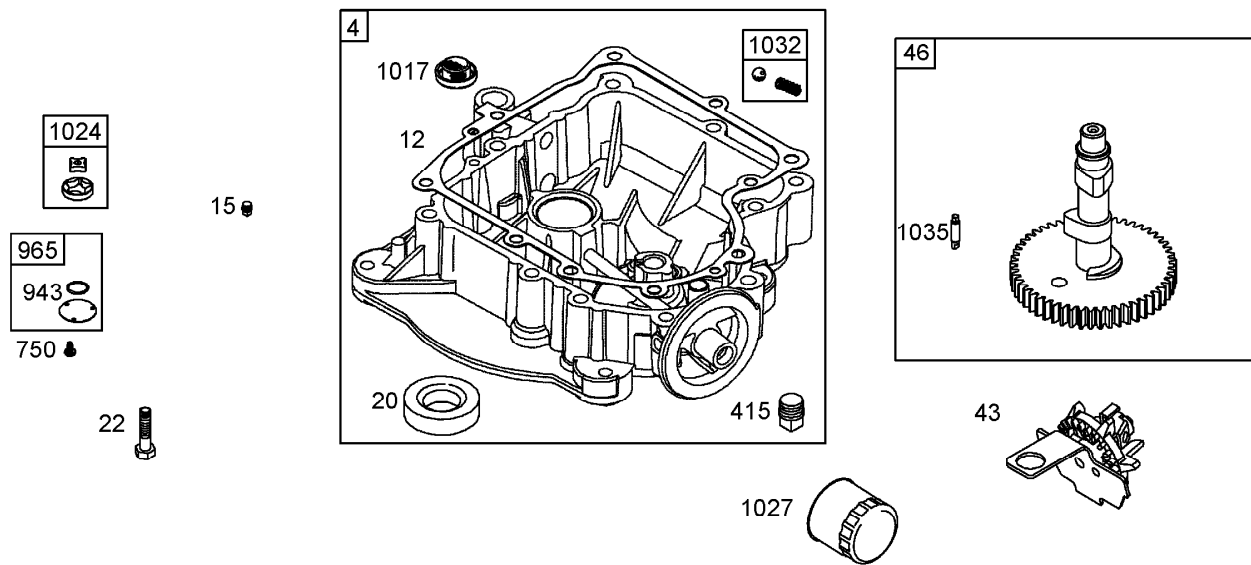
● Obtain parts from www.briggsandstratton.com



Crankshaft Assembly Briggs and Stratton 286H77-0165-E1

Ref.	Part Number	Qty.	Description
16	697127	1	Crankshaft ●
24	222698	1	Key ●
25	698371	1	Piston ASM (Standard) (After Code Date 03092800) ●
	697114	1	Piston ASM (Standard) (Before Code Date 03092900) ●
	698375	1	Piston ASM (.020In Oversize) (After Code Date 03092800) ●
	697117	1	Piston ASM (.020In Oversize) (Before Code Date 03092900) ●
26	697115	1	Ring Set (Standard) ●
	697120	1	Ring Set (.020In Oversize) ●
27	698469	1	Lock-Pin, Piston ●
28	697099	1	Pin-Piston (Std) ●
29	697126	1	Rod connecting (Standard) ●
	697263	1	Rod-Connecting (.020In Undersize) ●
32	692852	1	Screw (Connecting Rod) ●
146	691639	1	Key-Timing ●
741	697128	1	Gear-Timing ●
757	697607	1	Link-Counterweight ●
758	697134	1	Counterweight ●
759	697392	1	Pin-Counterweight ●
1270	697156	1	Plug-Counterweight, Avs ●

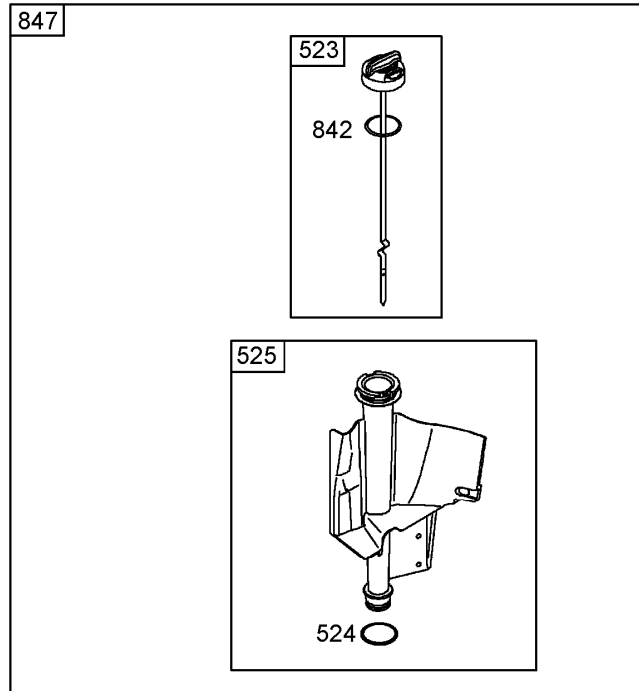
● Obtain parts from www.briggsandstratton.com



Crankcase Assembly Briggs and Stratton 286H77-0165-E1

<i>Ref.</i>	<i>Part Number</i>	<i>Qty.</i>	<i>Description</i>
4	697188	1	Sump-Engine ●
12	697110	1	Gasket-Crankcase ●
15	691680	1	Plug-Drain, Oil ●
20	690947	1	Seal-Oil ●
22	692125	1	Screw (Engine Sump) ●
415	690283	1	Plug-Oil ●
43	691968	1	Slinger-Governor, Oil ●
46	790400	1	Camshaft ●
750	691033	1	Screw (Oil Pump Cover) ●
943	690589	1	Seal-O Ring ●
965	499613	1	Cover-Pump, Oil ●
1017	690770	1	Screen-Pump, Oil ●
1024	499054	1	Pump-Oil ●
1027	492932	1	Filter-Oil ●
1032	491710	1	Ball pump, Oil ●
1035	693784	1	Shaft-Pump, Oil ●

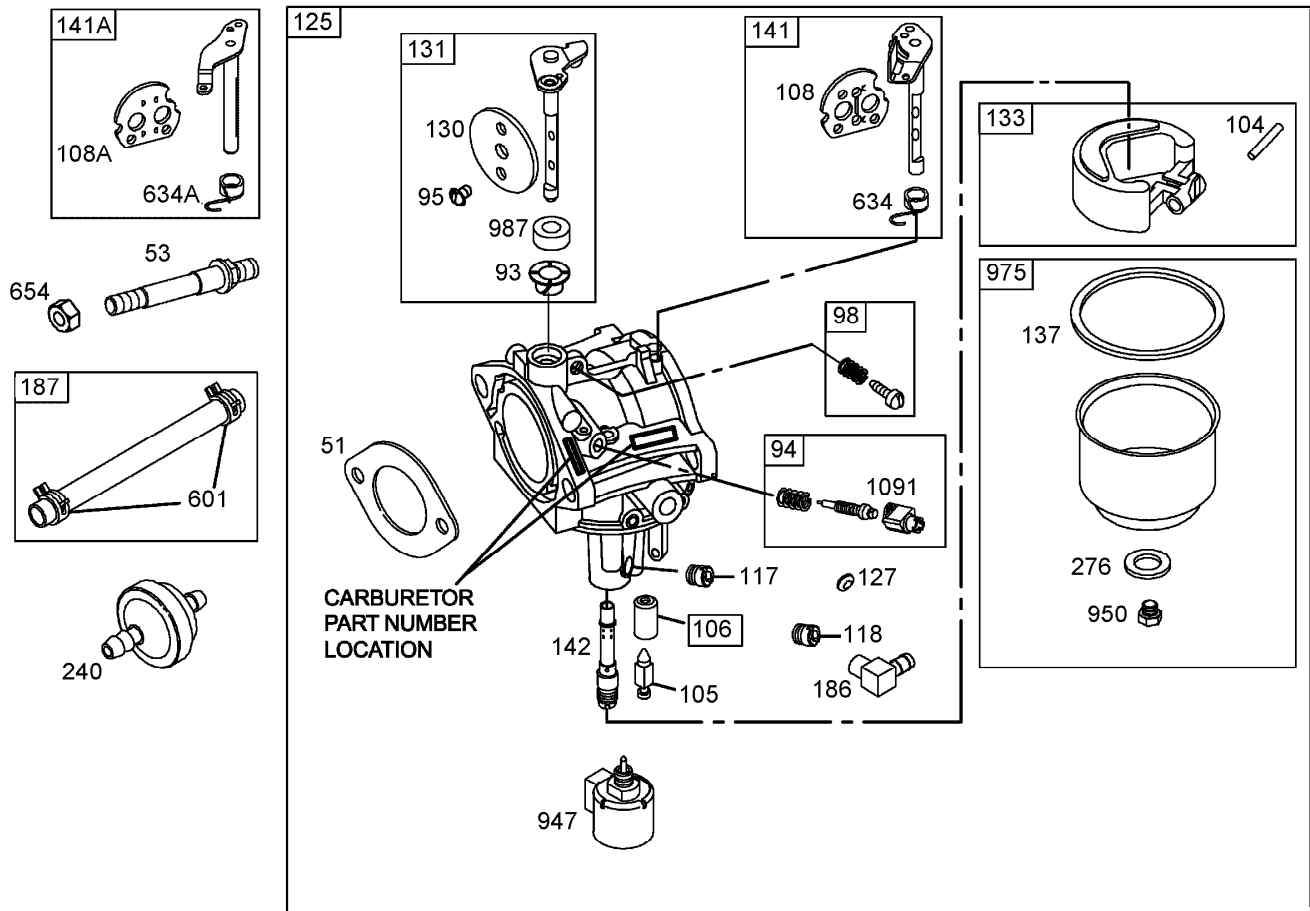
● Obtain parts from www.briggsandstratton.com



Oil Filter, Tube and Pump Assembly Briggs and Stratton 286H77-0165-E1

<i>Ref.</i>	<i>Part Number</i>	<i>Qty.</i>	<i>Description</i>
523	699908	1	Dipstick ●
524	691032	1	Seal-O Ring ●
525	697184	1	Tube-Dipstick ●
842	691031	1	Seal-O Ring ●
847	790442	1	Dipstick And Tube ASM ●

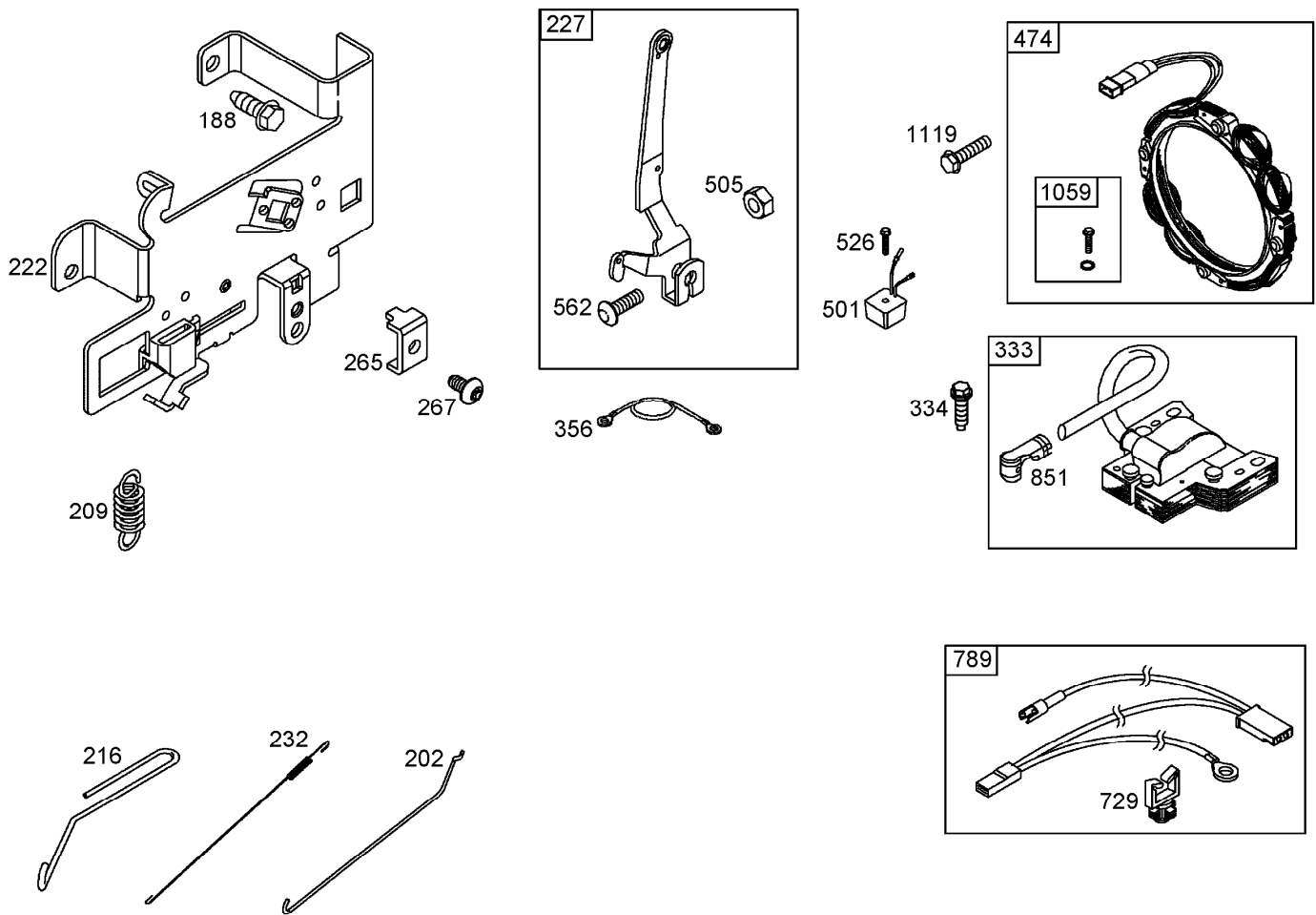
● Obtain parts from www.briggsandstratton.com



Carburetor Assembly Briggs and Stratton 286H77-0165-E1

Ref.	Part Number	Qty.	Description	Ref.	Part Number	Qty.	Description
51	692137	1	Gasket-Intake ●	137	281165	1	Gasket-Bowl, Float ●
53	690227	1	Stud (Carburetor) ●	141	495097	1	Choke Shaft Kit (Manual Choke) ●
93	690602	1	Bushing-Shaft, Throttle ●	141A	495931	1	Choke Shaft Kit (Choke A Matic) ●
94	498030	1	Idle Mixture Kit ●	142	697140	1	Nozzle-Carburetor ●
95	691636	1	Screw (Throttle Valve) ●	186	698174	1	Connector-Hose ●
98	495800	1	Idle Speed Kit ●	187	699931	1	Line fuel (Cut To Required Length) ●
104	690525	1	Pin-Hinge, Carburetor Float ●	240	394358	1	Filter-Fuel ●
105	231855	1	Valve-Needle, Float ●	276	692255	1	Washer-Sealing ●
106	690577	1	Seat-Inlet ●	601	95162	1	Clamp-Hose ●
108	690464	1	Valve choke ●	634	690801	1	Spring / Seal ASM ●
108A	692344	1	Valve choke (Choke A Matic) ●	634A	690802	1	Spring And Seal Asm ●
117	694352	1	Jet-Main (Std) ●	654	690958	1	Nut (Carburetor) ●
118	697228	1	Jet-Main (High Altitude) ●	947	694393	1	Solenoid-Fuel ●
125	698445	1	Carburetor ●	950	691657	1	Screw (Float Bowl) ●
127	695005	1	Plug-Welch ●	975	495933	1	Bowl-Float ●
130	691750	1	Valve-Throttle ●	987	691326	1	Seal-Shaft, Throttle ●
131	494379	1	Throttle Shaft Kit ●	1091	691333	1	Cap-Limiter ●
133	494381	1	Float-Carburetor ●				

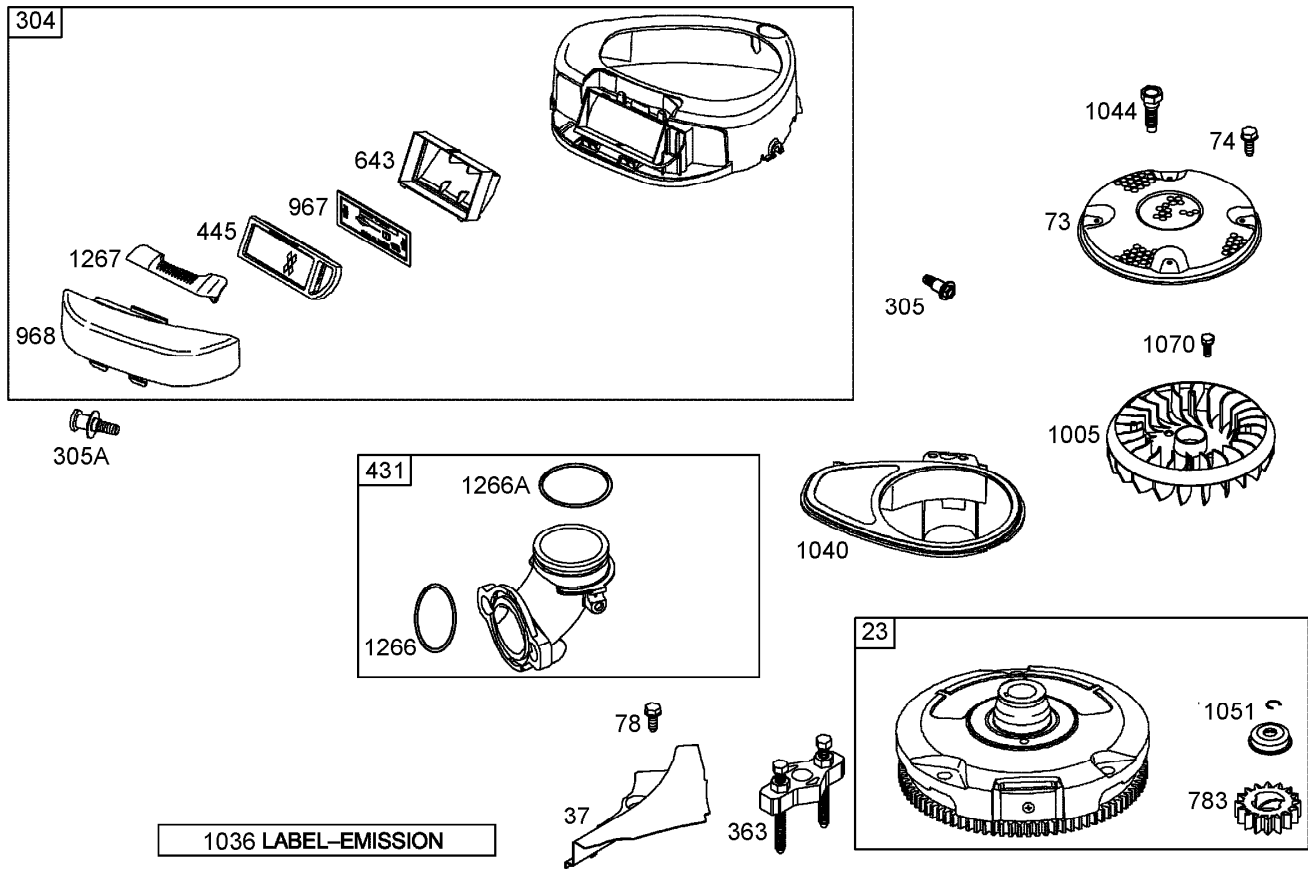
● Obtain parts from www.briggsandstratton.com



Governor Assembly Briggs and Stratton 286H77-0165-E1

Ref.	Part Number	Qty.	Description	Ref.	Part Number	Qty.	Description
188	691693	1	Screw (Control Bracket) ●	501	691188	1	Regulator (Used After Code Date 03021600) ●
202	691841	1	Link-Governor, Mechanical ●		691185	1	Regulator (Used Before Code Date 03021700) ●
209	692208	1	Spring-Governor ●	505	691251	1	Nut (Governor Control Lever) ●
216	691840	1	Link-Choke ●	526	697088	1	Screw (Used After Code Date 03021600) ●
222	694042	1	Bracket-Control ●		697348	1	Screw (Used Before Code Date 03021700) ●
227	691374	1	Lever-Control, Governor ●	562	691119	1	Bolt (Governor Control Lever) ●
232	691842	1	Spring-Link, Governor ●	729	691335	1	Clip wire ●
265	691024	1	Clamp-Casing ●	789	692037	1	Wiring-Harness ●
267	695134	1	Screw (Casing Clamp) ●	851	692424	1	Terminal spark Plug ●
333	492341	1	Armature-Magneto ●	1059	698516	1	Screw And Washer Kit ●
334	691061	1	Screw (Magneto Armature) ●	1119	691183	1	Screw (Alternator) ●
356	697089	1	Stop-Wire ●				
474	696457	1	Alternator (Used After Code Date 03021600) ●				
	696458	1	Alternator (Used Before Code Date 03021700) ●				

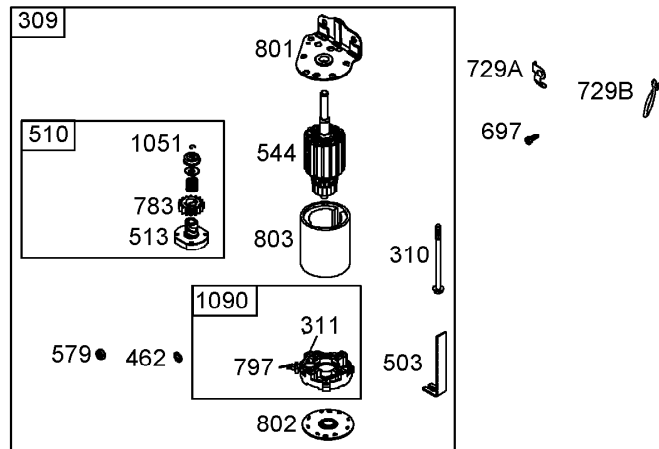
● Obtain parts from www.briggsandstratton.com



Blower Housing Assembly Briggs and Stratton 286H77-0165-E1

Ref.	Part Number	Qty.	Description	Ref.	Part Number	Qty.	Description
23	693556	1	Flywheel ●	968	697084	1	Cover-Cleaner, Air ●
37	697352	1	Guard-Flywheel ●	1005	699043	1	Fan-Flywheel ●
73	697133	1	Screen-Rotating ●	1036	790464	1	Label emission (Used After Code Date 04063000) ●
74	697897	1	Screw (Rotating Screen) ●		695700	1	Label emission (Used Before Code Date 04070100) ●
78	691003	1	Screw (Flywheel Guard) ●	1040	699852	1	Plate-Trim ●
304	698599	1	Housing-Blower ●	1044	698139	1	Screw (Crankshaft Extension) ●
305	697102	1	Screw (Blower Housing) ●	1051	691265	1	Ring-Retaining ●
305A	697103	1	Screw (Blower Housing) ●	1070	690372	1	Screw (Flywheel Fan) ●
363	19203	1	Puller-Flywheel ●	1266	691917	1	Seal-O Ring ●
431	697122	1	Elbow-Intake ●	1266A	697123	1	Seal-O Ring ●
445	698083	1	Filter-Cartridge, Air Cleaner ●	1267	697419	1	Latch-Housing, Blower ●
643	698401	1	Retainer-Filter, Air ●				
783	693713	1	Gear-Pinion ●				
967	697015	1	Filter-Cleaner, Pre ●				

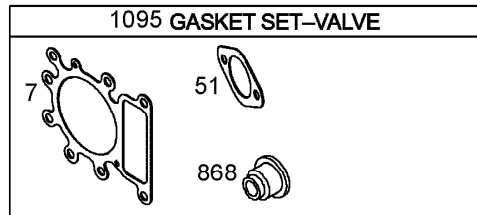
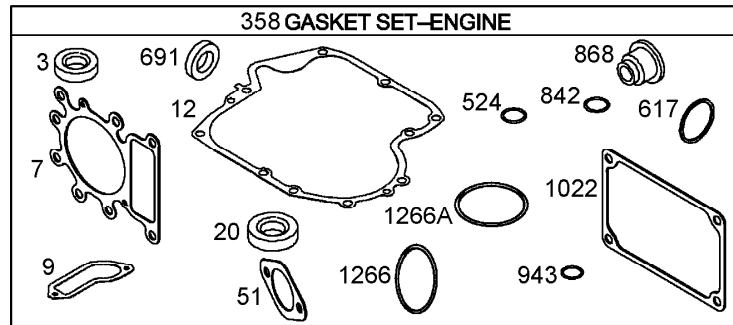
● Obtain parts from www.briggsandstratton.com



Starter Assembly Briggs and Stratton 286H77-0165-E1

<i>Ref.</i>	<i>Part Number</i>	<i>Qty.</i>	<i>Description</i>
309	693551	1	Motor-Starter ●
310	690323	1	Bolt (Starter Motor) ●
311	497608	1	Brush Set ●
462	691261	1	Washer (Brush Retainer) ●
503	691532	1	Strap-Starter ●
510	693699	1	Drive-Starter ●
513	692024	1	Clutch-Drive ●
544	692034	1	Armature-Starter ●
579	691029	1	Nut (Brush Retainer) ●
697	690372	1	Screw (Drive Cap) ●
729A	691224	1	Clip-Wire ●
729B	694123	1	Clip wire ●
783	693713	1	Gear-Pinion ●
797	693167	1	Nut (Brush Retainer) ●
801	691283	1	Cap-Drive ●
802	691286	1	Cap-End ●
803	693757	1	Housing-Starter ●
1051	691265	1	Ring-Retaining ●
1090	691293	1	Retainer-Brush ●

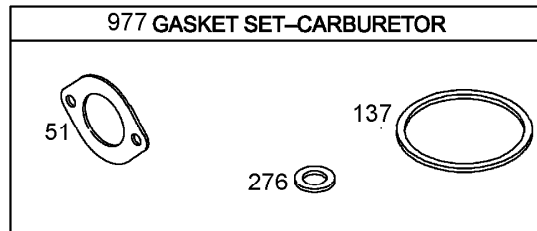
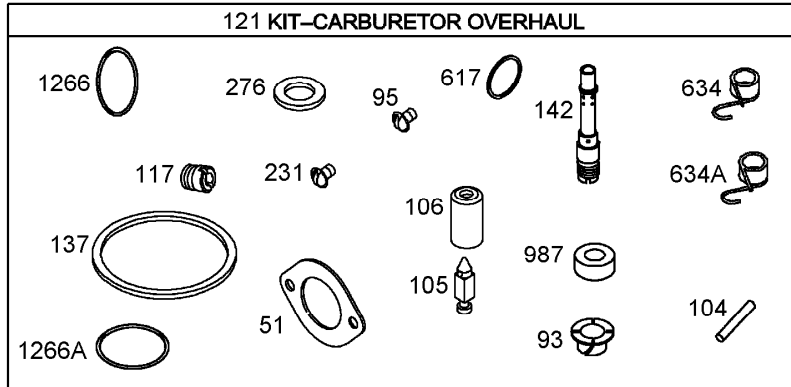
● Obtain parts from www.briggsandstratton.com



Gasket Assembly Briggs and Stratton 286H77-0165-E1

<i>Ref.</i>	<i>Part Number</i>	<i>Qty.</i>	<i>Description</i>
3	391086	1	Seal-Oil ●
7	273280	1	Gasket-Head, Cylinder ●
9	697109	1	Gasket-Breather ●
12	697110	1	Gasket-Crankcase ●
20	690947	1	Seal-Oil ●
51	692137	1	Gasket-Intake ●
358	697151	1	Engine Gasket Set ●
617	692138	1	Seal-O Ring ●
524	691032	1	Seal-O Ring ●
691	692407	1	Seal-Shaft, Governor ●
842	691031	1	Seal-O Ring ●
868	690968	1	Seal-Valve ●
943	690589	1	Seal-O Ring ●
1022	272475	1	Gasket-Cover, Rocker ●
1095	691581	1	Valve Gasket Set ●
1266	691917	1	Seal-O Ring ●
1266A	697123	1	Seal-O Ring ●

● Obtain parts from www.briggsandstratton.com



Carburetor Overhaul Kit Briggs and Stratton 286H77-0165-E1

<i>Ref.</i>	<i>Part Number</i>	<i>Qty.</i>	<i>Description</i>
51	692137	1	Gasket-Intake ●
93	690602	1	Bushing-Shaft, Throttle ●
95	691636	1	Screw (Throttle Valve) ●
104	690525	1	Pin-Hinge, Carburetor Float ●
105	231855	1	Valve-Needle, Float ●
106	690577	1	Seat-Inlet ●
117	694352	1	Jet-Main (Std) ●
121	697154	1	Carburetor Overhaul Kit ●
137	281165	1	Gasket-Bowl, Float ●
142	697140	1	Nozzle-Carburetor ●
231	691636	1	Screw (Choke Valve) ●
276	692255	1	Washer-Sealing ●
617	692138	1	Seal-O Ring ●
634	690801	1	Spring / Seal ASM ●
634A	690802	1	Spring And Seal Asm ●
977	690192	1	Carburetor Gasket Set ●
987	691326	1	Seal-Shaft, Throttle ●
1266	691917	1	Seal-O Ring ●
1266A	697123	1	Seal-O Ring ●

● Obtain parts from www.briggsandstratton.com

Attachments and Accessories

For 71428 XL 380H Lawn Tractor

Product Name	Model/Part
Counterweight Kit	100-6230
8 Inch Rear Wheel Weight Kit	59159
9.0 cu. ft. Twin Bagger	79103
6.0 cu. ft. Easy-Empty Grass Catcher	79117
42 Inch Snow Blade	79150
Recycler Kit	79170
10 cu. ft. Dump Cart	79901
Snow Cab	79912
Sunshade	79913
10 cu. ft. Poly Dump Cart	79935
Folding Loading Ramp.....	79949
Sweeper	79985
Tractor Rack	79990
Tire Chains Kit	82311
Anti-Scalp Roller Kit.....	93-3898
Exhaust Deflector	94-6872
Tower Kit.....	98-9880

Notes:

Notes:



Count on it.