



**Count on it.**

**Parts Catalog**

**XL 380H Lawn Tractor**

Model No. 71246—Serial No. 270000001 and Up



# Ordering Replacement Parts

To order replacement parts, please supply the part number, the quantity, and the description of each part desired.

## Understanding Reference Numbers

Each identified part in an illustration has a reference number. The reference number for a part also appears in the parts list, along with other information about the part.

This catalog uses two special reference number formats, one to indicate parts in a service assembly and another to indicate the quantity of a given part in an illustration.

## Service Assembly Reference Numbers

Parts in service assemblies have reference numbers in the form a:b. The a represents the reference number of the entire service assembly and the b represents a sequential number unique to each part within the service assembly.

For example, a wheel assembly might be identified by reference number 6, the tire by 6:1, the valve by 6:2, and the wheel by 6:3. When you order the assembly identified by reference number 6, you receive all parts identified by reference numbers 6:1, 6:2, and 6:3. However, you may also order any part individually. Reference numbers of this type appear in illustration and in parts lists.

## Reference Numbers Indicating Quantity

In an illustration, if a reference number indicates more than one part, the reference number has the form nX y. The n represents the quantity of the part, the X is the multiplication symbol, and the y represents the reference number.

For example, in an illustration, the reference number 2X 37 means that two of the parts identified by reference number 37 are indicated.

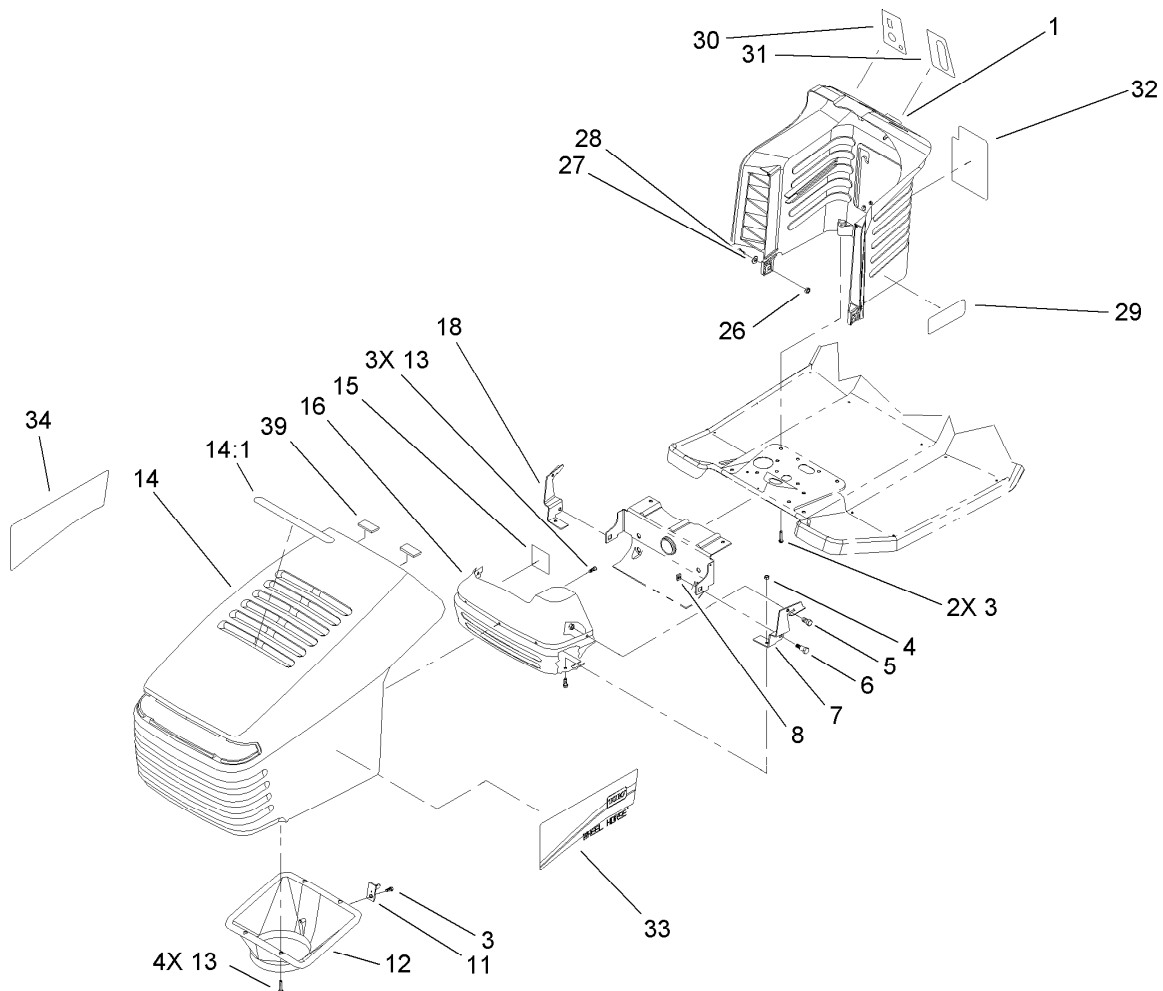
# List of Abbreviations

<b>AR:</b> as required	<b>HLH:</b> hex lag head	<b>PTO:</b> power-take-off
<b>ASM:</b> assembly	<b>HOC:</b> height-of-cut	<b>RH:</b> right hand
<b>BBC:</b> blade brake control	<b>HSBH:</b> hex socket button head	<b>ROPS:</b> roll-over protection system
<b>BHTF:</b> button head thread forming	<b>HSFH:</b> hex socket flat head	<b>RRB:</b> rear roller brush
<b>CARR:</b> carriage	<b>HSH:</b> hex socket head	<b>SFH:</b> slotted fillister head
<b>CCW:</b> counter clockwise	<b>HWH:</b> hex washer head	<b>SHH:</b> slotted hex head
<b>CW:</b> clockwise	<b>HWHTF:</b> hex washer head thread forming	<b>SHWH:</b> slotted hex washer head
<b>DEG:</b> degrees	<b>HYD:</b> hydraulic	<b>SPH:</b> slotted pan head
<b>DPA:</b> Dual Point Adjustment	<b>LH:</b> left hand	<b>SQH:</b> square head
<b>ECM:</b> electronic control module	<b>LP:</b> Liquefied Petroleum Gas	<b>SRH:</b> slotted round head
<b>EXT:</b> external	<b>LPG:</b> Liquefied Petroleum Gas	<b>STD:</b> standard
<b>FH:</b> flat head	<b>NI:</b> nylon insert	<b>TAP:</b> self tapping
<b>GA:</b> gauge	<b>NPTF:</b> national pipe thread fine	<b>TTH:</b> torx truss head
<b>HD:</b> heavy-duty	<b>PFH:</b> phillips flat head	
<b>HF:</b> hex flange	<b>PPH:</b> phillips pan head	
<b>HH:</b> hex head	<b>PPHTF:</b> phillips pan head thread forming	
<b>HHF:</b> hex head flange	<b>PRH:</b> phillips round head	
<b>HHFTF:</b> hex head flange thread forming	<b>PTH:</b> phillips truss head	
<b>HJ:</b> hex jam		

# Contents

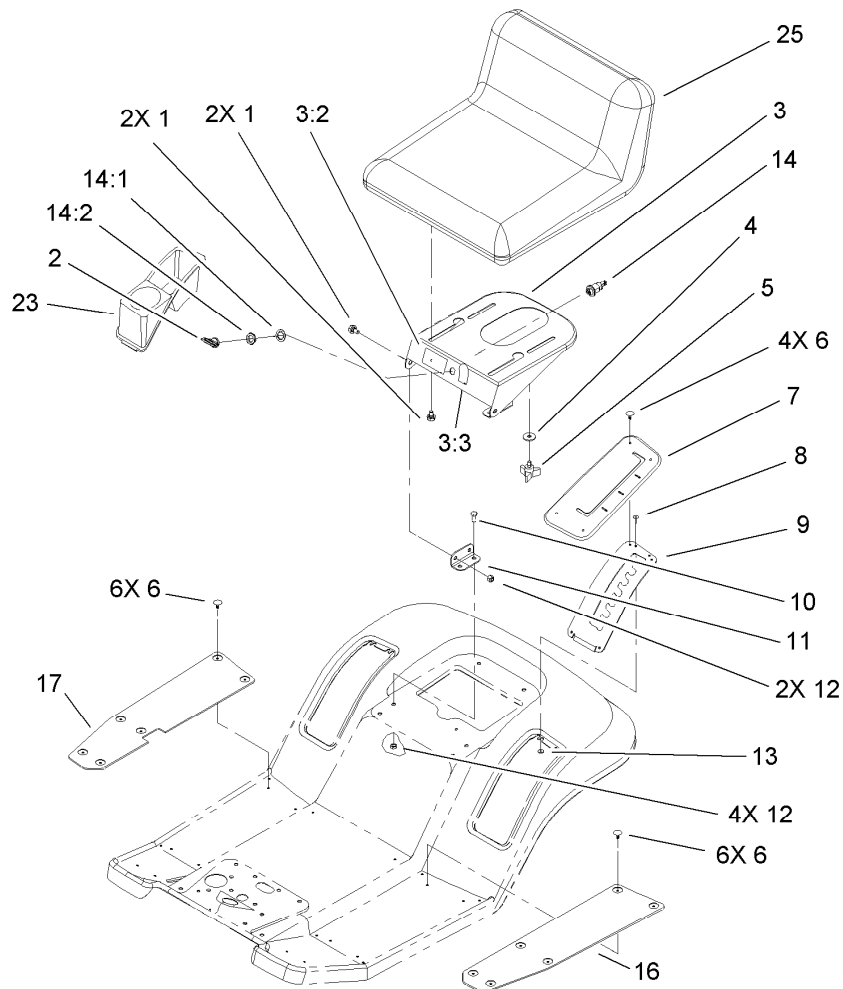
Frame and Body Assembly .....	4
Hood and Tower Assembly .....	5
Rear Body and Seat Assembly .....	6
Steering Assembly .....	7
Fixed Steering Assembly .....	8
Engine Assembly .....	9
Traction Clutching Assembly .....	10
Rear Wheel and Tire Assembly .....	11
Hydro Transaxle Assembly .....	12
Hydro Transaxle Control Assembly .....	13
38 Inch Deck Assembly .....	14
38in Deck Blade Drive Assembly .....	15
38 Inch Deck Engagement Assembly .....	16
Height-of-Cut Assembly .....	17
Electrical Assembly .....	18
Cylinder Assembly Briggs and Stratton 286H77-0165-E1 .....	19
Cylinder Head Assembly Briggs and Stratton 286H77-0165-E1 .....	20
Crankshaft Assembly Briggs and Stratton 286H77-0165-E1 .....	21
Crankcase Assembly Briggs and Stratton 286H77-0165-E1 .....	22
Oil Filter, Tube and Pump Assembly Briggs and Stratton 286H77-0165-E1 .....	23
Carburetor Assembly Briggs and Stratton 286H77-0165-E1 .....	24
Governor Assembly Briggs and Stratton 286H77-0165-E1 .....	25
Blower Housing Assembly Briggs and Stratton 286H77-0165-E1 .....	26
Starter Assembly Briggs and Stratton 286H77-0165-E1 .....	27
Gasket Assembly Briggs and Stratton 286H77-0165-E1 .....	28
Carburetor Overhaul Kit Briggs and Stratton 286H77-0165-E1 .....	29
Attachments and Accessories .....	30





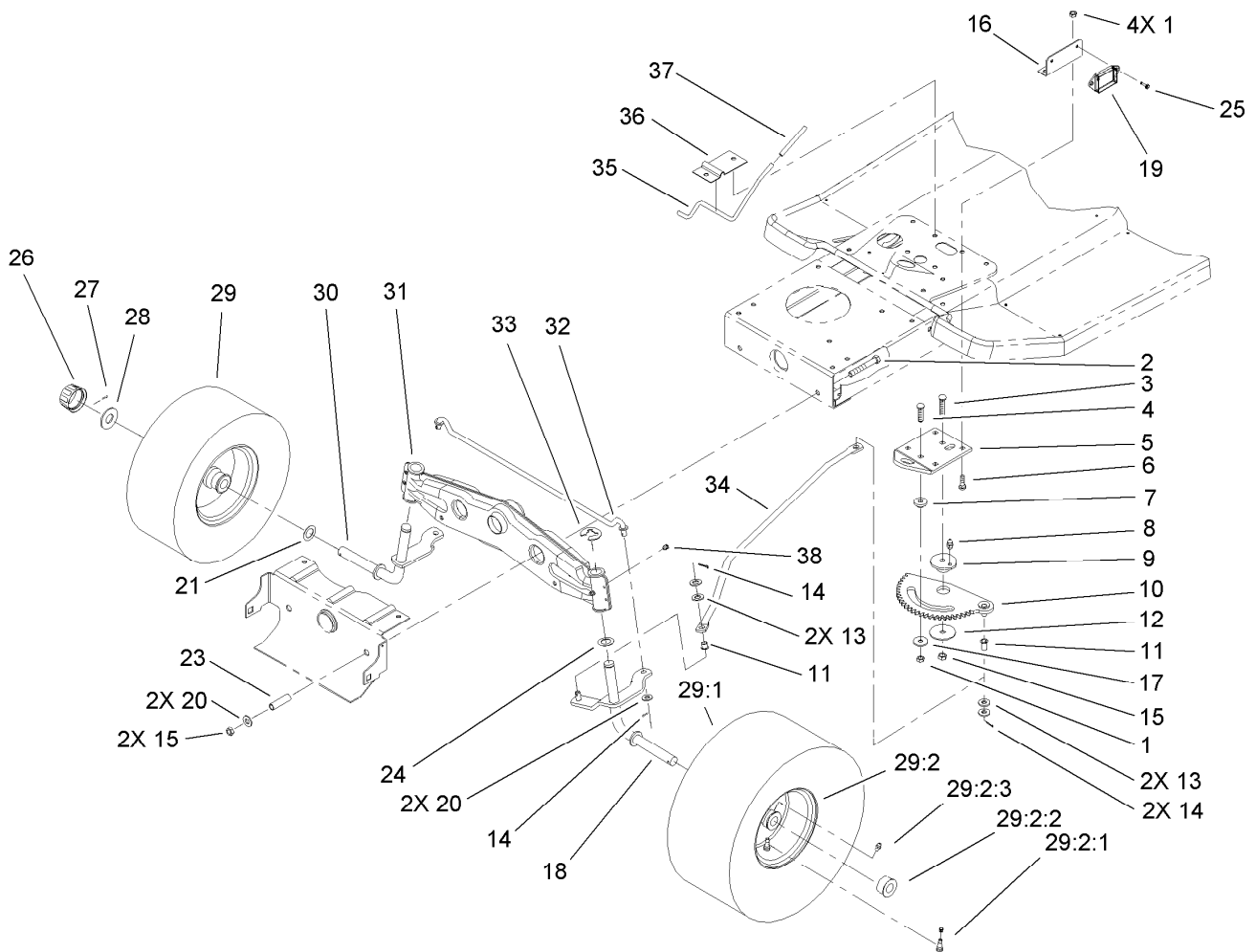
## Hood and Tower Assembly

<i>Ref.</i>	<i>Part Number</i>	<i>Qty.</i>	<i>Description</i>	<i>Ref.</i>	<i>Part Number</i>	<i>Qty.</i>	<i>Description</i>
1	107-4920	1	Tower-Steering	16	93-3864-03	1	Shield-Heat
3	46-8091	3	Screw-HWH	18	88-6040-03	1	Bracket-Pivot, RH Hood
4	3296-42	4	Nut-Lock, NI	26	3296-29	2	Nut-Lock, NI
5	321-2	4	Screw-HH	27	3256-23	2	Washer-Flat
6	28-0540	2	Bolt-Shoulder	28	322-3	2	Screw-HH
7	88-6050-03	1	Bracket-Pivot, LH Hood	29	108-7804	2	Decal
8	3290-496	2	Nut-Retainer	30	99-8141	1	Decal-Ignition/Lights
11	94-1984	1	Latch-Pin	31	92-5730	1	Decal-Throttle/Choke
12	93-3891	1	Duct-Air, Hood	32	107-4922	1	Decal-Danger
13	46-8090	7	Screw-Plastite	33	105-2497	1	Decal-Hood
14	92-8650	1	Hood ASM	34	105-2496	1	Decal-Hood
14:1	92-5748	1	Decal-Air Duct	39	94-1980	2	Foam-Hood
15	92-5782	3	Tape-Foil				



## Rear Body and Seat Assembly

Ref.	Part Number	Qty.	Description
1	37-8770	4	Bolt-Shoulder
2	63-8360	1	Key-Ignition (W/Shield)
3	106-6437	1	Seat Support ASM
3:2	99-2986	1	Decal-Danger
3:3	99-5340	1	Decal-Switch
4	5-4460	2	Washer-Pivot
5	92-9674	2	Knob
6	3290-479	16	Fastener-Panel
7	93-7657	1	Cover-HOC
8	3290-282	2	Rivet-Blind
9	88-5030-03	1	Gate-HOC
10	322-3	4	Screw-HH
11	88-4820-03	2	Bracket-Pivot, Seat
12	3296-29	6	Nut-Lock, NI
13	3269-26	2	Washer-Plain
14	46-5780	1	Starter Switch ASM
14:1	3254-5	1	Washer-Tooth, Internal
14:2	218-461	1	Nut-HH
16	88-5240	1	Mat-Foot, LH
17	88-5230	1	Mat-Foot, RH
23	88-4990	1	Tray-Fender
25	106-6439	1	Seat-11 Inch

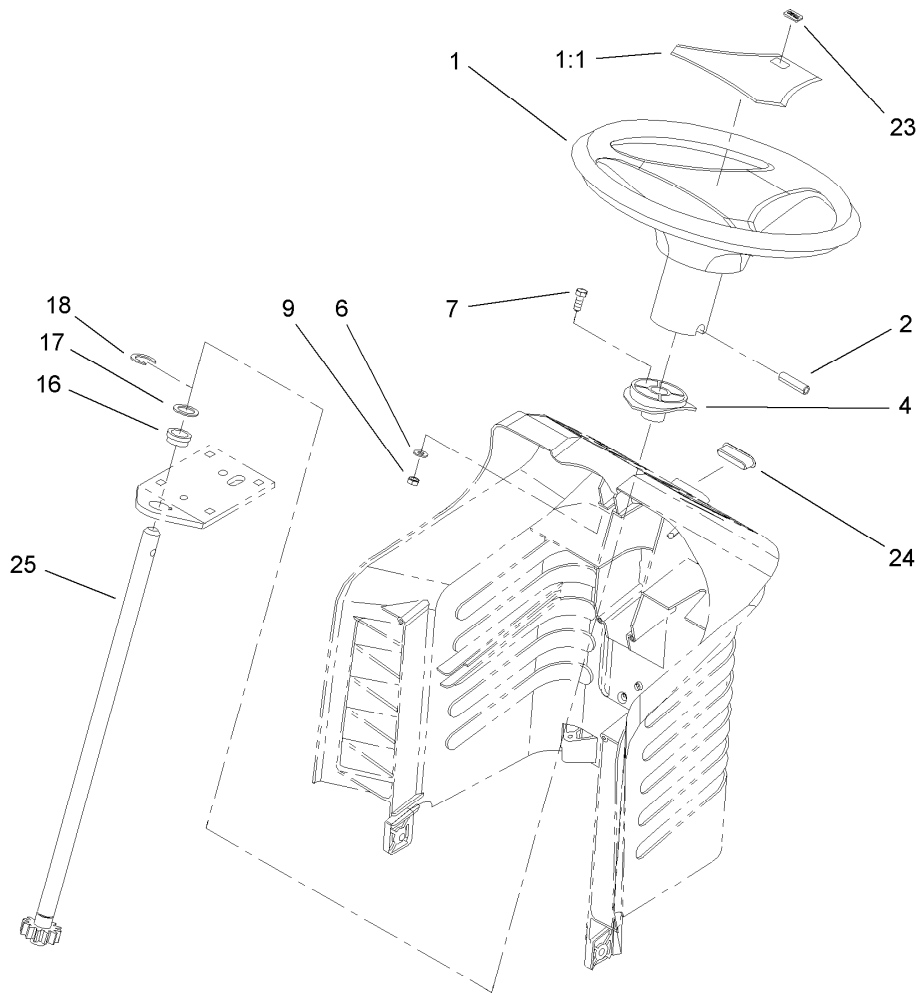


## Steering Assembly

Ref.	Part Number	Qty.	Description	Ref.	Part Number	Qty.	Description
1	3296-29	5	Nut-Lock, NI	24	3-6498	2	Washer-Thrust
2	323-13	2	Screw-HH	25	9266714	2	Screw-HWH
3	3231-4	1	Screw-CARR	26	61-9780	2	Cap-Hub
4	3230-3	1	Screw-CARR	27	3272-12	2	Pin-Cotter
5	88-5130-03	1	Bracket-Rack, Steering	28	28-2480	2	Washer-Plain
6	3230-2	4	Bolt-CARR	29		2	Front Wheel And Tire ASM ■
7	88-5010	1	Spacer-Rack, Steering	29:1	99-2988	1	Tire
8	302-26	1	Fitting-Grease	29:2	99-6829	1	Rim ASM
9	88-4670	1	Bushing-Eccentric	29:2:1	232-27	1	Stem-Valve
10	88-5200	1	Rack-Steering	29:2:2	110513	2	Bearing-Wheel
11	52-2891	2	Bushing-Flanged, Nylon	29:2:3	302-5	1	Fitting-Grease
12	111419	1	Washer-Bearing	29:3	232-39	1	Tube-Inner ●
13	3256-25	4	Washer-Flat	30	92-7889-03	1	RH Spindle ASM
14	3272-10	4	Pin-Cotter	31	99-6844-03	1	Axle-Front
15	3296-39	3	Nut-Lock, NI	32	88-5380	1	Tie Rod-Steering
16	99-2956-03	1	Bracket-Module	33	32151-48	2	E-Ring
17	5-4460	1	Washer-Pivot	34	88-4830	1	Link-Drag
18	92-7890-03	1	LH Spindle ASM	35	88-5510	1	Rod-Brake, Parking
19	99-3701	1	Module-Clutch	36	88-5520-03	1	Bracket-Parking Brake
20	3256-24	4	Washer-Flat	37	88-0890	1	Grip-Brake, Parking
21	3-6498	4	Washer-Thrust	38	302-5	2	Fitting-Grease
23	88-5470	2	Spacer				

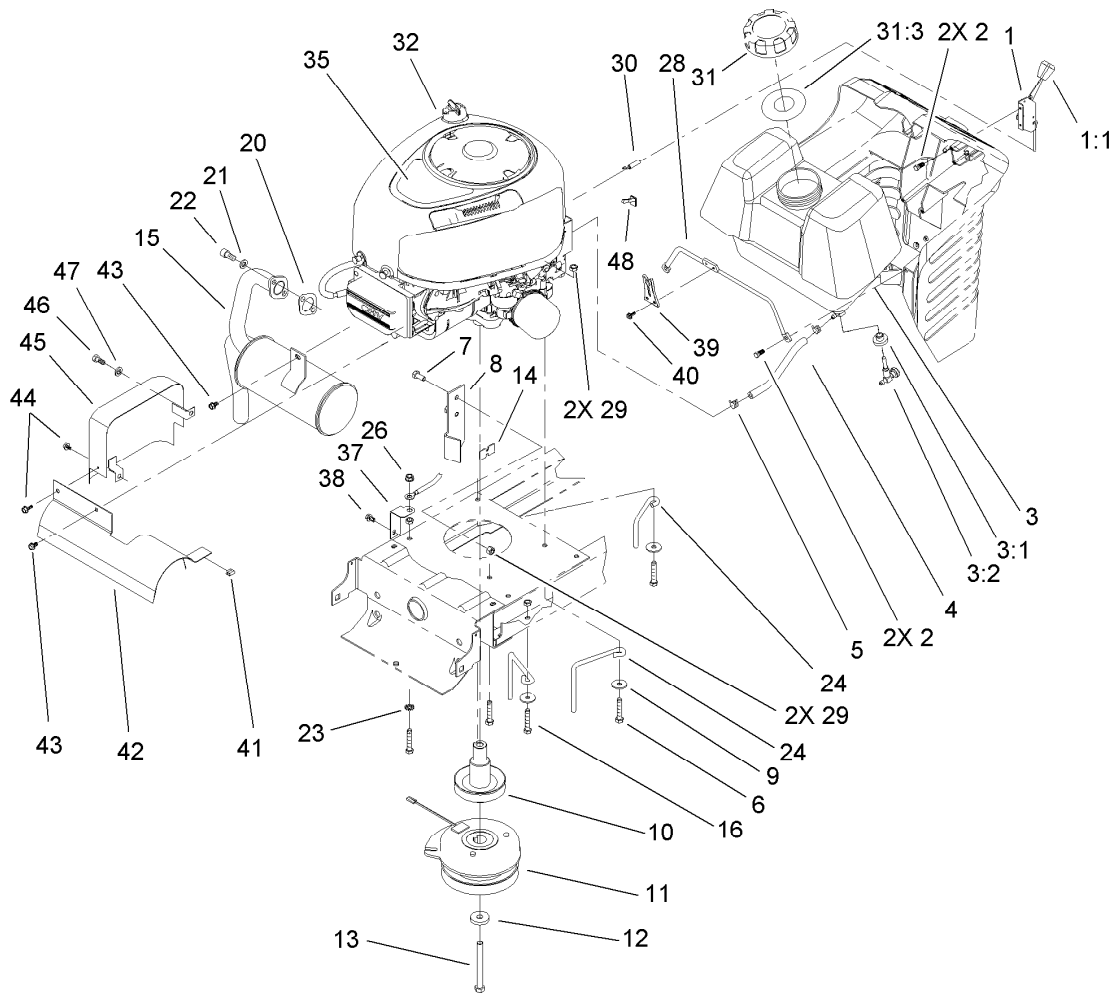
● Not illustrated

■ Not serviced separately



## Fixed Steering Assembly

<i>Ref.</i>	<i>Part Number</i>	<i>Qty.</i>	<i>Description</i>
1	98-1467	1	Steering Wheel ASM
1:1	98-1468	1	Cover-Wheel, Steering
2	32121-111	1	Pin-Roll
4	88-4190	1	Bushing-Sliding
6	3256-22	2	Washer-Flat
7	321-4	2	Screw-HH
9	3296-42	2	Nut-Lock, NI
16	88-5150	1	Bearing-Flange
17	3-6498	1	Washer-Thrust
18	32151-48	1	E-Ring
23	98-1459	1	Decal
24	88-4150	1	Plug
25	88-6380	1	Shaft-Steering, Long

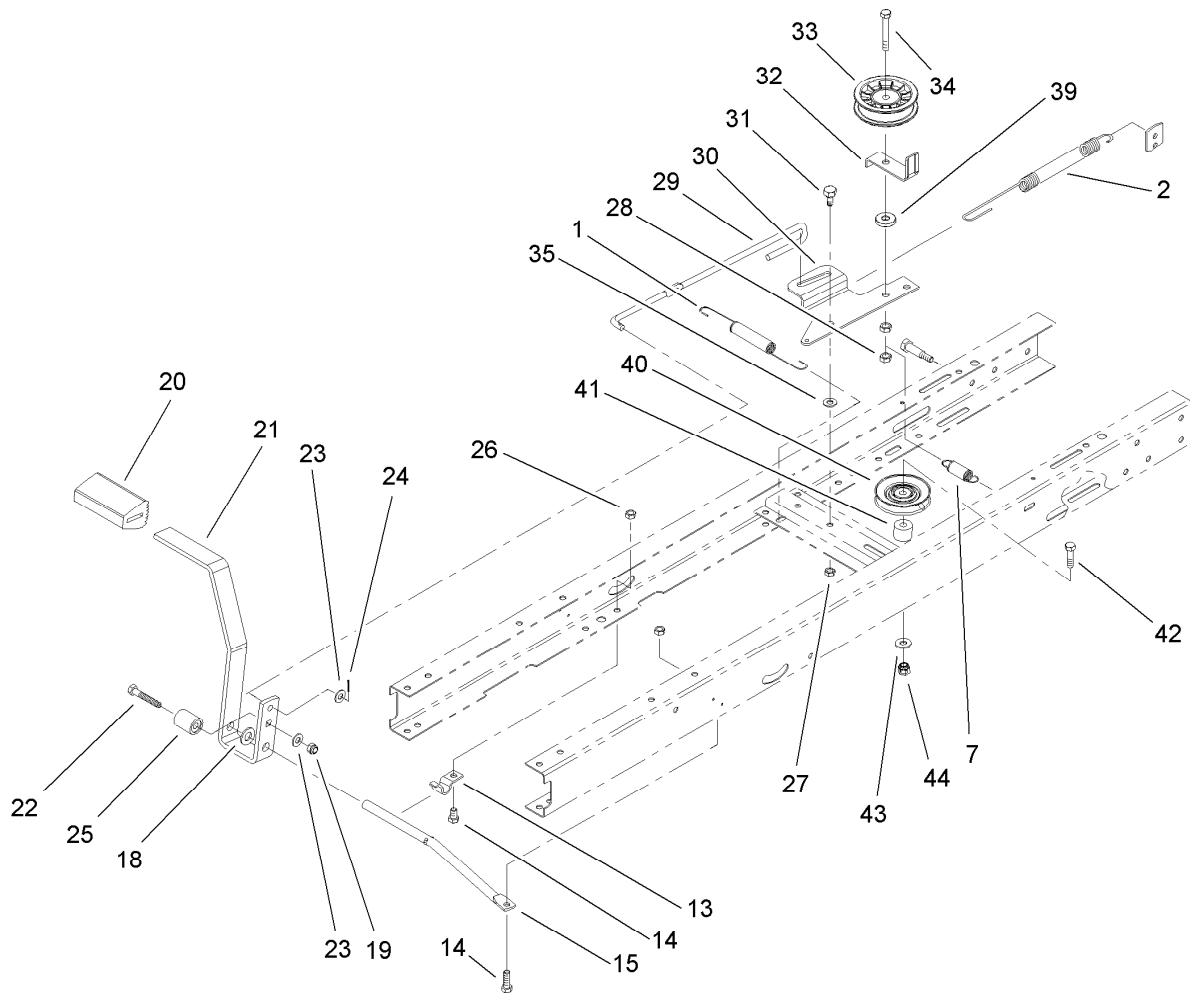


## Engine Assembly

Ref.	Part Number	Qty.	Description	Ref.	Part Number	Qty.	Description
1	88-4340	1	Throttle Control ASM	24	93-3855	2	Guide-Belt, RH
1:1	66-0120	1	Knob	26	32149-1	2	Nut-Keps
2	27-0220	4	Screw-Special	28	94-1952	1	Rod-Tank, Gas
3	88-3880	1	Gas Tank ASM	29	3296-29	4	Nut-Lock, NI
3:1	46-6560	1	Bushing	30	88-4350	1	Throttle Cable ASM
3:2	104048	1	Valve-Fuel	31	88-3980	1	Gas Cap ASM
4	107-9297	1	Hose-Fuel	31:3	88-4010	1	Gasket-Cap, Gas
5	2412-98	2	Clamp-Hose	32		1	Engine-Briggs And Stratton, 286H77-0165-E1 ●■
6	322-9	3	Screw-HH	35	107-4905	1	Decal
7	322-3	2	Screw-HH	37	93-3809	1	Bracket-Ground
8	107-4914-03	1	Stop-Clutch	38	9266714	1	Screw-HWH
9	5-4460	2	Washer-Pivot	39	94-1951	1	Latch-Hood
10	107-4915	1	Pulley-Engine	40	32144-112	2	Screw-HWH
11	108-9510	1	Clutch-PTO, Electric	41	93-3882	1	Clip-Tinnerman
12	112843	1	Washer	42	110-8643-03	1	Shield-Muffler
13	3212-18	1	Screw-HH	43	9266714	2	Screw-HWH
14	98-5023	1	Bumper	44	32104-76	2	Screw-Thd Cutting, HWH
15	110-8641	1	Muffler-Exhaust	45	93-8450-03	1	Heat Shield ASM
16	9267154	1	Screw-HWH, Taptite	46	322-3	1	Screw-HH
20	88-4410	1	Gasket-Exhaust	47	3253-4	1	Washer-Lock
21	3253-4	2	Washer-Lock	48	88-4490	1	Reducer-Throttle, Rpm
22	3274-10	2	Screw-HSH				
23	3255-8	1	Washer-Lock				

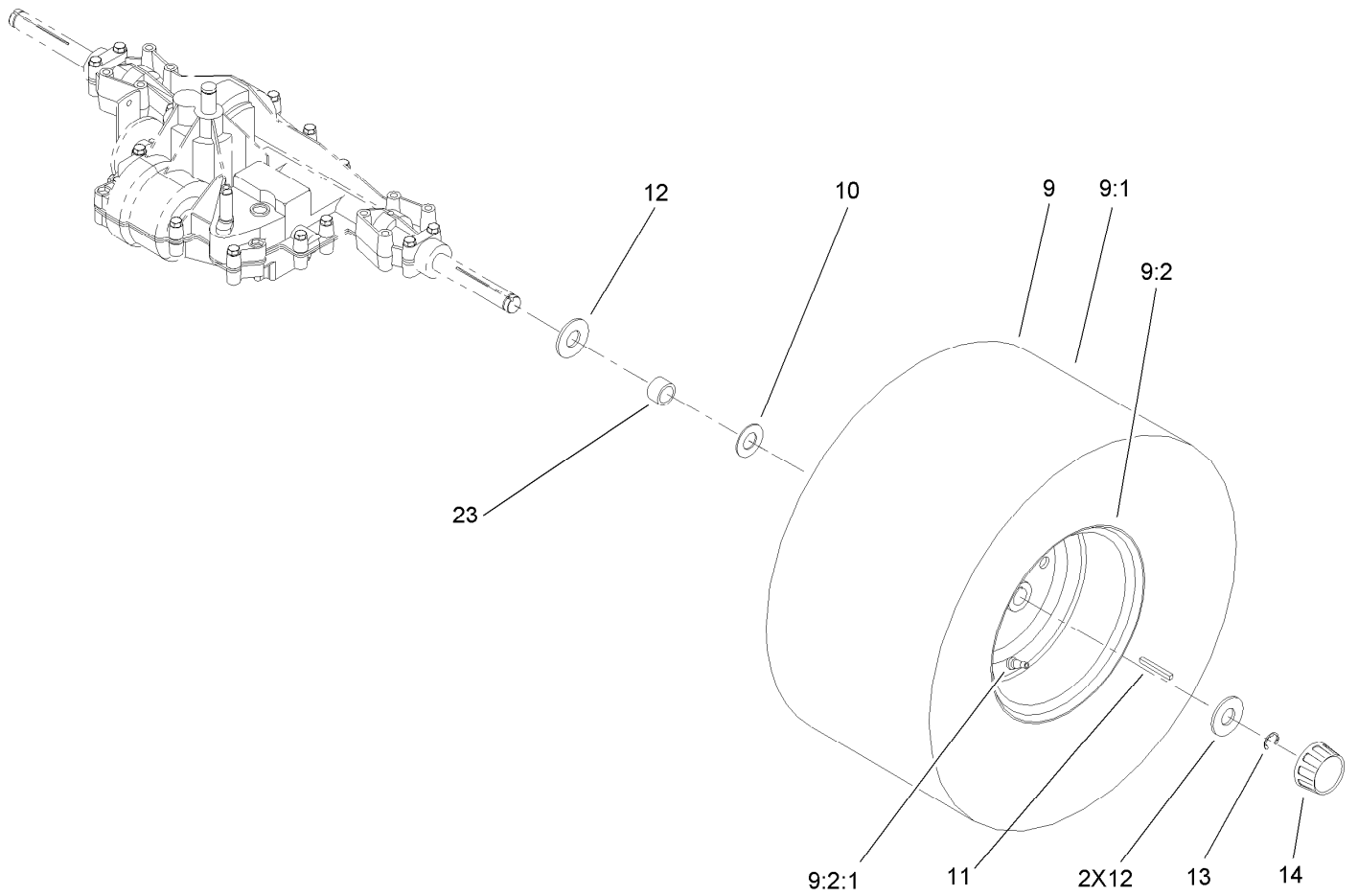
● Not serviced separately

■ Obtain parts from [www.briggsandstratton.com](http://www.briggsandstratton.com)



## Traction Clutching Assembly

<i>Ref.</i>	<i>Part Number</i>	<i>Qty.</i>	<i>Description</i>	<i>Ref.</i>	<i>Part Number</i>	<i>Qty.</i>	<i>Description</i>
1	27-8890	1	Spring-Extension	27	3296-29	1	Nut-Lock, NI
2	100-7422	1	Spring-Extension	28	3296-59	2	Nut-Lock, NI
7	88-6330	1	Spring-Extension	29	88-5270	1	Rod-Clutch/Brake
13	88-4810	1	Clamp-Pivot, Shift	30	88-6070	1	Arm-Idler
14	322-3	2	Screw-HH	31	37-8770	1	Bolt-Shoulder
15	88-5500	1	Rod-Pivot, Pedal	32	88-5560	1	Guide-Idler, Belt
18	3256-26	1	Washer-Flat	33	104-4160	1	Pulley-Idler
19	3296-47	1	Nut-Lock, NI	34	323-11	1	Screw-HH
20	65-2920	1	Pad-Pedal	35	5-4460	1	Washer-Pivot
21	88-5000-03	1	Pedal-Clutch/Brake, Hydro	39	92-4890	1	Washer
22	322-9	1	Screw-HH	40	92-7102	1	Pulley-Idler
23	3256-23	2	Washer-Flat	41	92-5791	1	Spacer
24	3272-10	1	Pin-Cotter	42	323-10	1	Screw-HH
25	99-6836	1	Spacer	43	3256-3	1	Washer-Flat
26	3296-29	2	Nut-Lock, NI	44	3296-39	1	Nut-Lock, NI

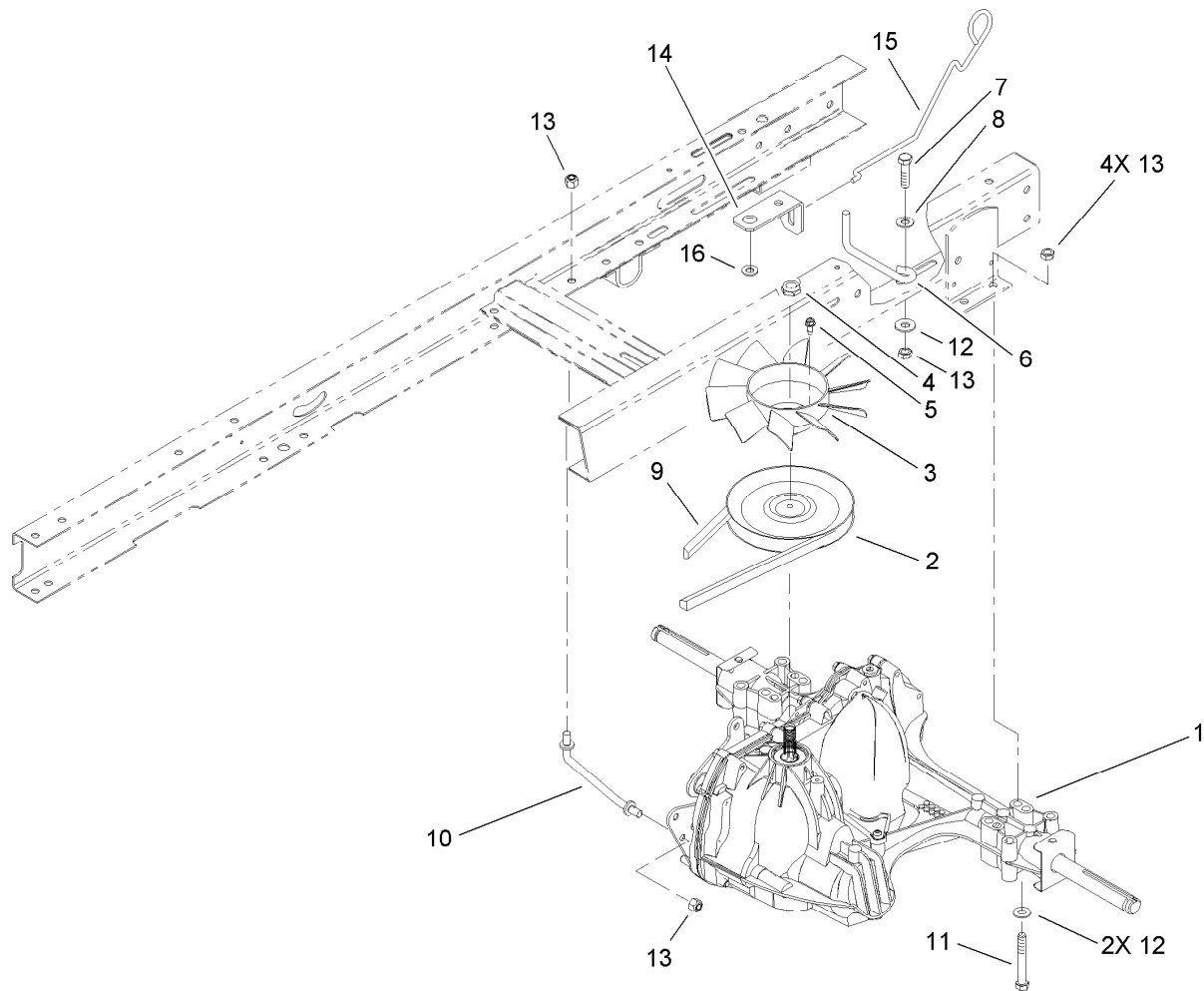


## Rear Wheel and Tire Assembly

Ref.	Part Number	Qty.	Description
9		2	Rear Wheel & Tire ASM ■
9:1	99-2996	1	Tire
9:2	88-4390	1	Rim ASM
9:2:1	232-27	1	Stem-Valve
9:99	232-41	1	Tube ●
10	3-6498	2	Washer-Thrust
11	7-0036	2	Key-Square
12	28-2480	4	Washer-Plain
13	32151-48	2	E-Ring
14	61-9780	2	Cap-Hub
23	104-4161	2	Spacer-Wheel

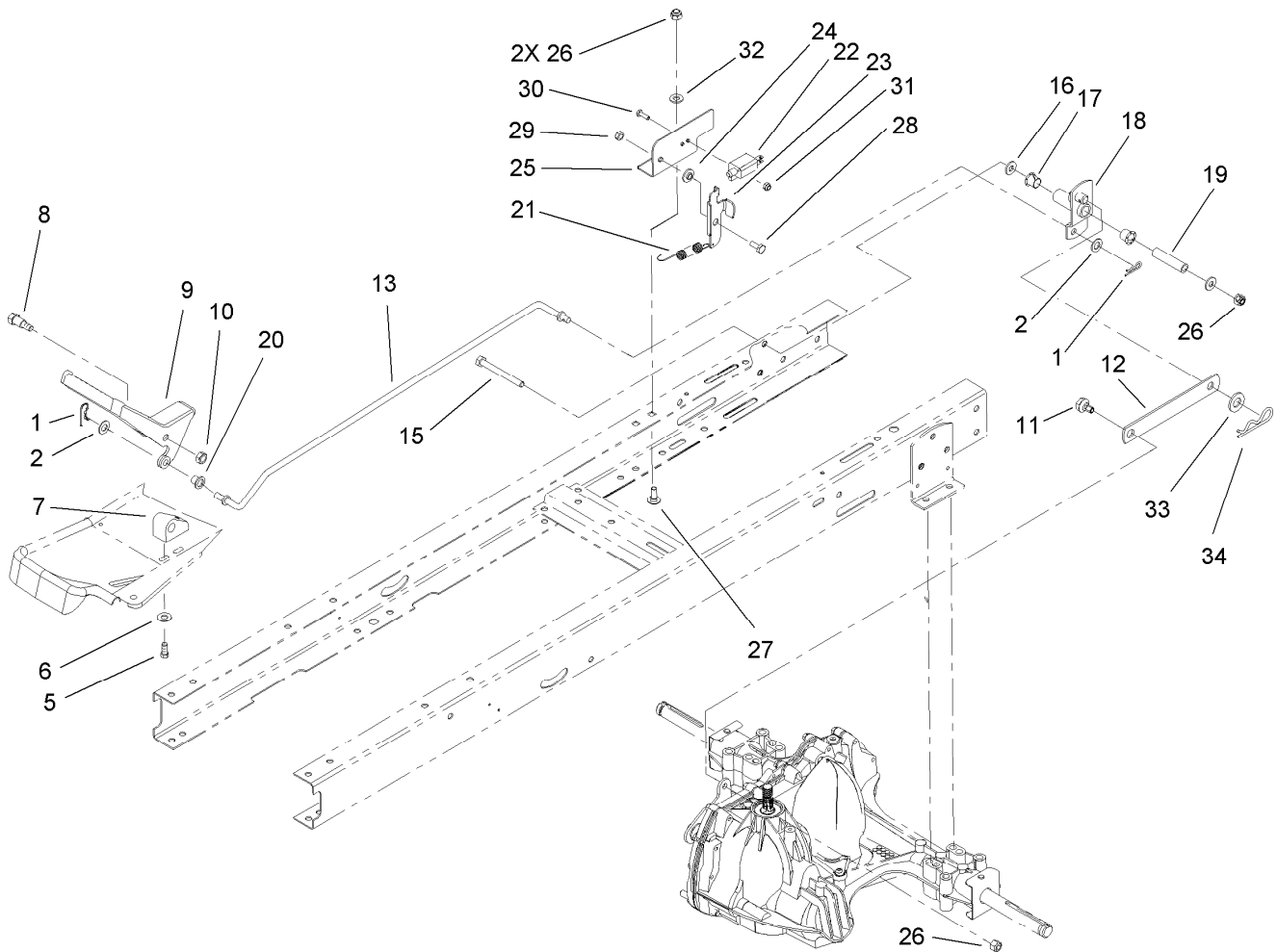
● Not illustrated

■ Not serviced separately



## Hydro Transaxle Assembly

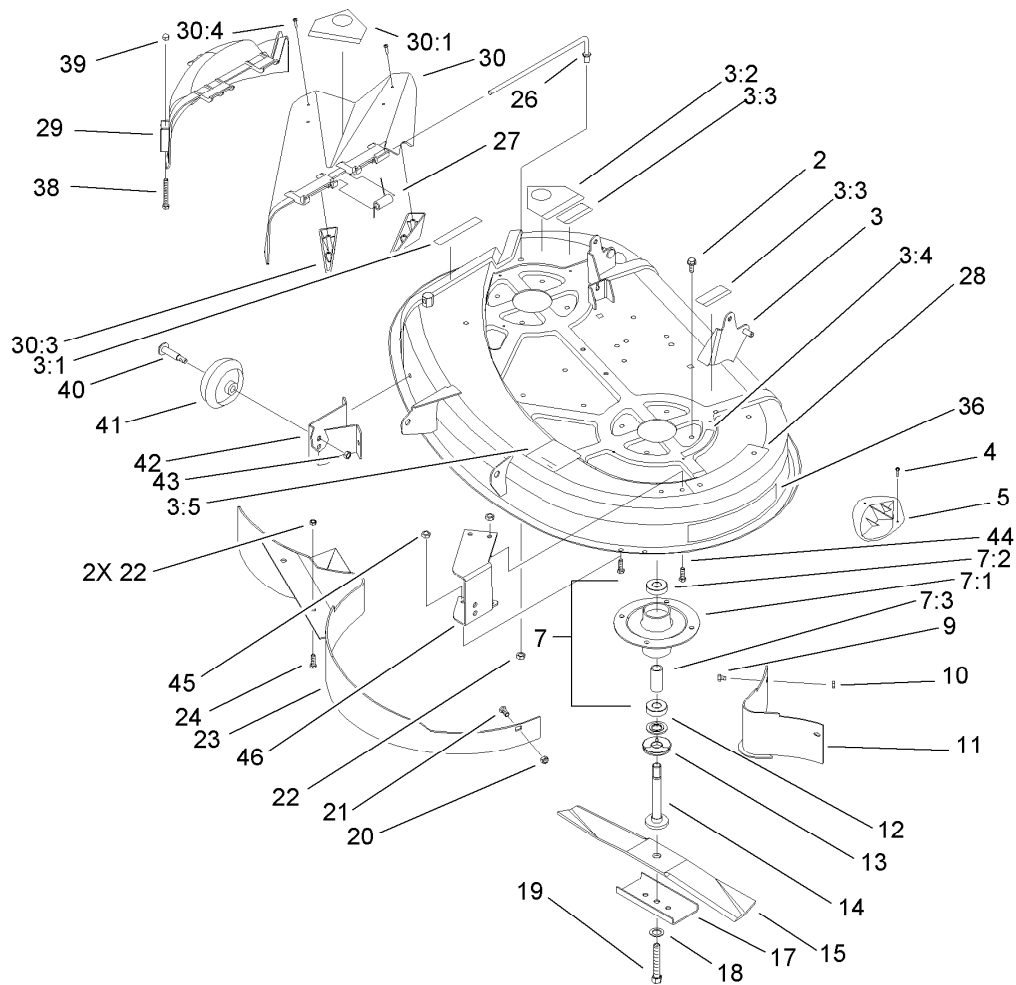
Ref.	Part Number	Qty.	Description
1	104-1760	1	Transaxle ASM
2	104-1754	1	Pulley
3	104-2162	1	Fan
4	3296-28	1	Nut-Lock, NI
5	9134304	3	Screw-HWH
6	107-4911	1	Guide-Belt
7	322-5	1	Screw-HH
8	5-4460	1	Washer-Pivot
9	88-6280	1	V-Belt
10	100-6225	1	Strap-Torque
11	322-13	4	Screw-HH
12	3256-23	3	Washer-Flat
13	3296-29	7	Nut-Lock, NI
14	100-7406	1	Bracket-Bypass
15	100-7407	1	Rod-Bypass
16	3256-3	1	Washer-Flat



## Hydro Transaxle Control Assembly

Ref.	Part Number	Qty.	Description
1	3290-307	2	Pin-Hair
2	3256-38	2	Washer-Flat
5	46-8090	2	Screw-Plastite
6	3256-22	2	Washer-Flat
7	88-4690	1	Block-Pivot
8	23-0310	1	Screw-Shoulder, HH
9	99-6120-05	1	Pedal-Control, Speed
10	3296-59	1	Nut-Lock, NI
11	37-8770	1	Bolt-Shoulder
12	99-6833	1	Link-Control, Speed
13	99-6839	1	Rod-Control, Speed
15	322-14	1	Screw-HH
16	3256-2	2	Washer-Flat
17	256-257	2	Bushing-Nyliner
18	99-6835-03	1	Pivot ASM
19	99-6832	1	Spacer-Pivot

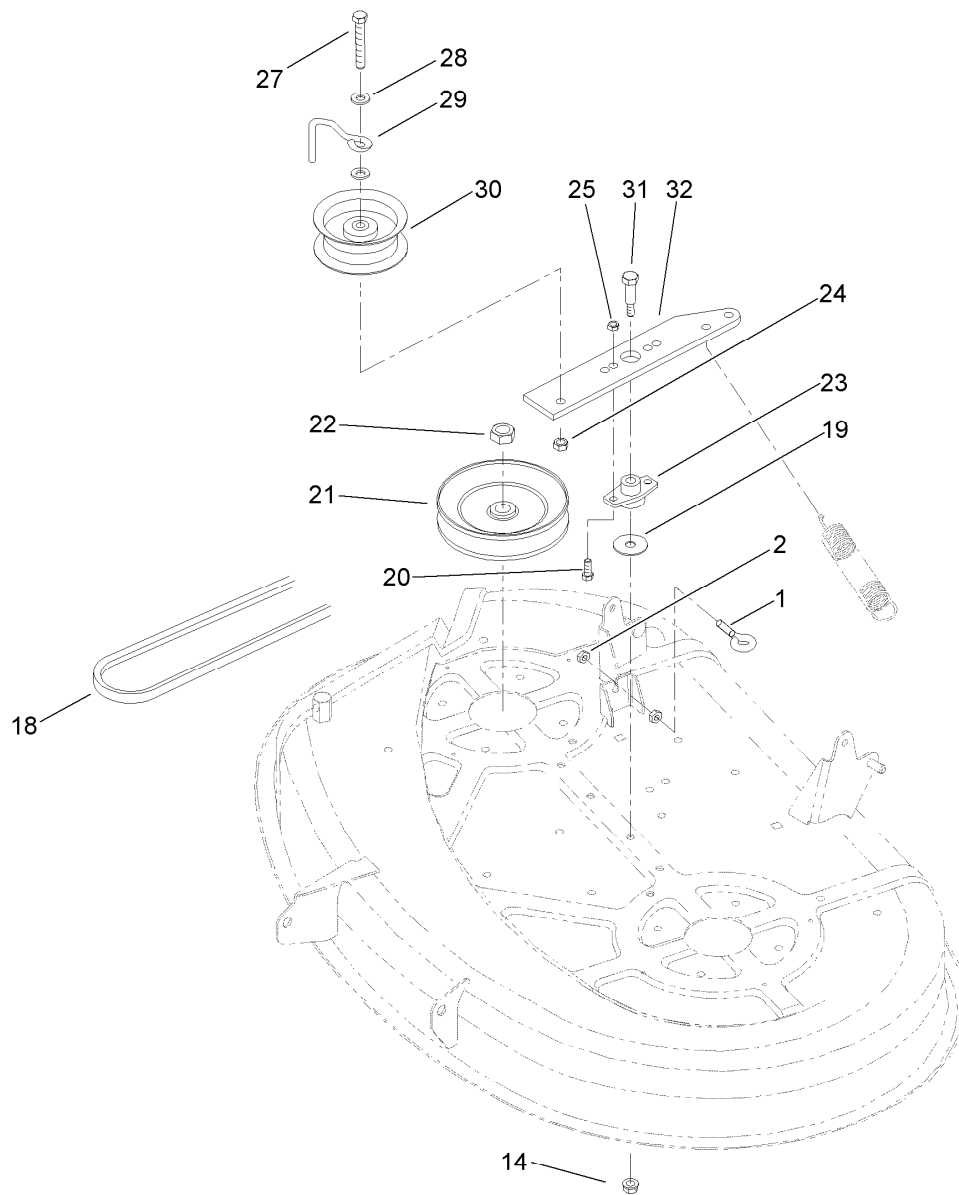
Ref.	Part Number	Qty.	Description
20	99-6121	1	Bushing-Flanged
21	99-6805	1	Spring-Extension
22	95-1653	1	Switch-Pole, Single
23	99-6807	1	Bracket-Pivot
24	99-6808	1	Washer-Stepped
25	99-6806	1	Bracket-Adjustment
26	3296-29	4	Nut-Lock, NI
27	3230-18	2	Screw-CARR
28	99-6810	1	Screw-HH
29	3296-42	1	Nut-Lock, NI
30	3290-392	2	Screw-SHH
31	3296-1	2	Nut-Lock
32	3256-23	2	Washer-Flat
33	3256-26	1	Washer-Flat
34	9335054	1	Pin-Hair



## 38 Inch Deck Assembly

Ref.	Part Number	Qty.	Description	Ref.	Part Number	Qty.	Description
2	32144-41	8	Screw-Taptite	20	3296-29	1	Nut-Lock, NI
3	99-5847	1	Deck ASM	21	3230-1	1	Bolt-CARR
3:1	93-7009	1	Decal-Danger, Deflector	22	3296-39	3	Nut-Lock, NI
3:2	93-7010	2	Decal-Danger	23	79-1600-03	1	Baffle ASM
3:3	93-6674	2	Decal-Warning	24	323-5	2	Screw-HH
3:4	93-6677	1	Decal-Danger, Shield	26	95-1661	1	Rod-Pivot
3:5	93-6679	1	Decal-Routing, Belt	27	57-6950	1	Spring
4	32144-111	8	Screw-PPH	28	93-7010	2	Decal-Danger
5	76-2160	4	Plate-Kicker	29	88-4430	1	Cover-Recycler
7		2	Spindle ASM ●	30	93-7695	1	Deflector ASM
7:1	88-4510	1	Housing-Spindle	30:1	93-7010	1	Decal-Danger
7:2	100-1048	2	Bearing-Ball	30:3	93-7696	2	Kicker
7:3	62-3661	1	Spacer	30:4	93-0231	4	Screw-PPH
9	321-4	2	Screw-HH	36	106-6407	1	Decal
10	3296-42	2	Nut-Lock, NI	38	321-14	2	Screw-HH
11	79-1640-03	1	Baffle ASM	39	32111-7	2	Nut-Cap
12	80-4380	2	Spacer	40	56-6591	2	Screw-Shoulder, HWH
13	80-4360	2	Shield-Bearing	41	701756	2	Wheel-Gage
14	80-4341	2	Shaft-Spindle	42	88-5740-03	1	Bracket-Wheel, RH
15	14-7799	1	Blade Kit	43	3296-39	2	Nut-Lock, NI
17	80-0510-03	2	Stiffener-Blade	44	322-3	6	Screw-HH
18	3290-465	2	Washer-Belleville	45	3296-29	6	Nut-Lock, NI
19	26-0671	2	Screw-HH	46	93-3896-03	1	Bracket-Wheel, LH

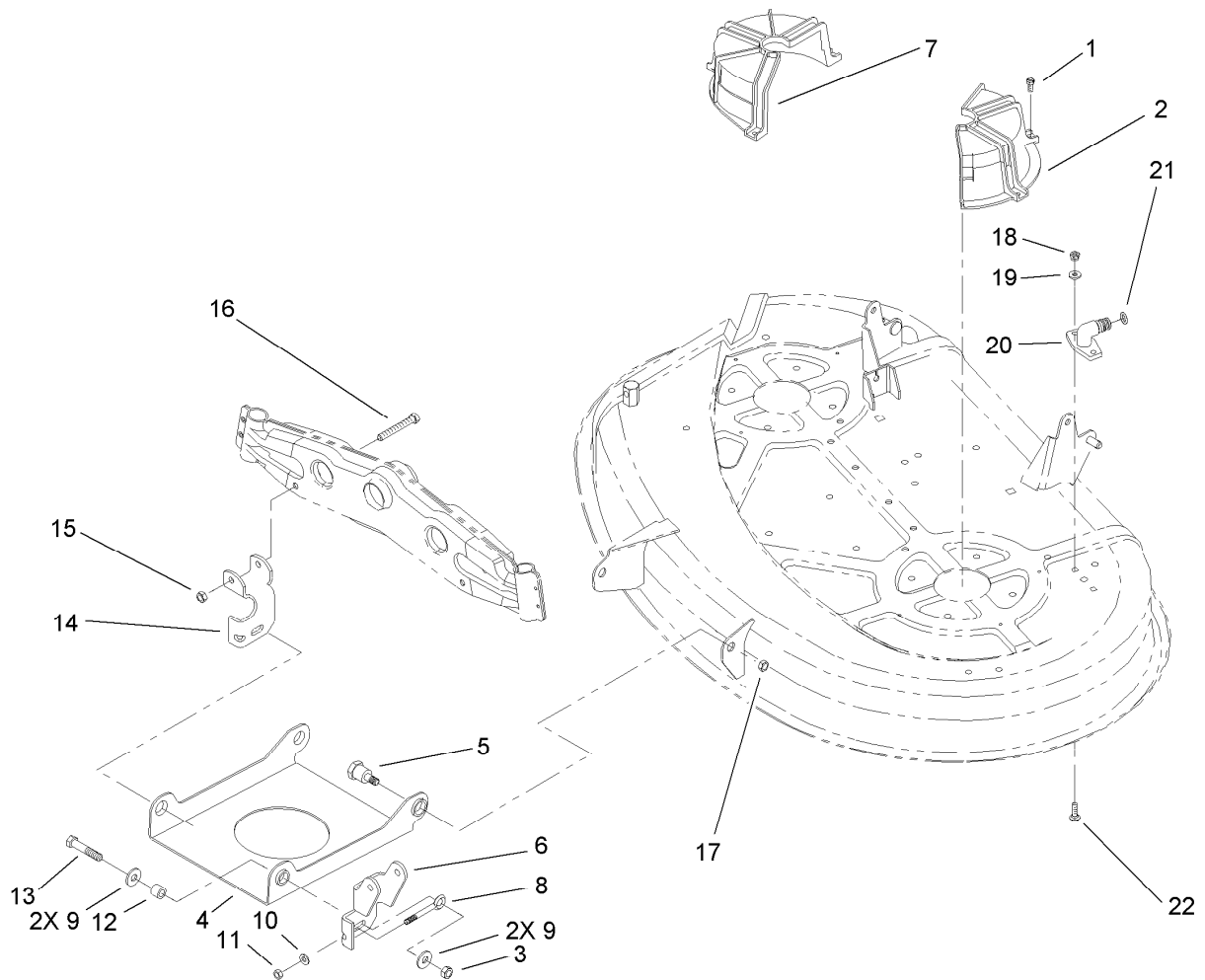
● Not serviced separately



## 38in Deck Blade Drive Assembly

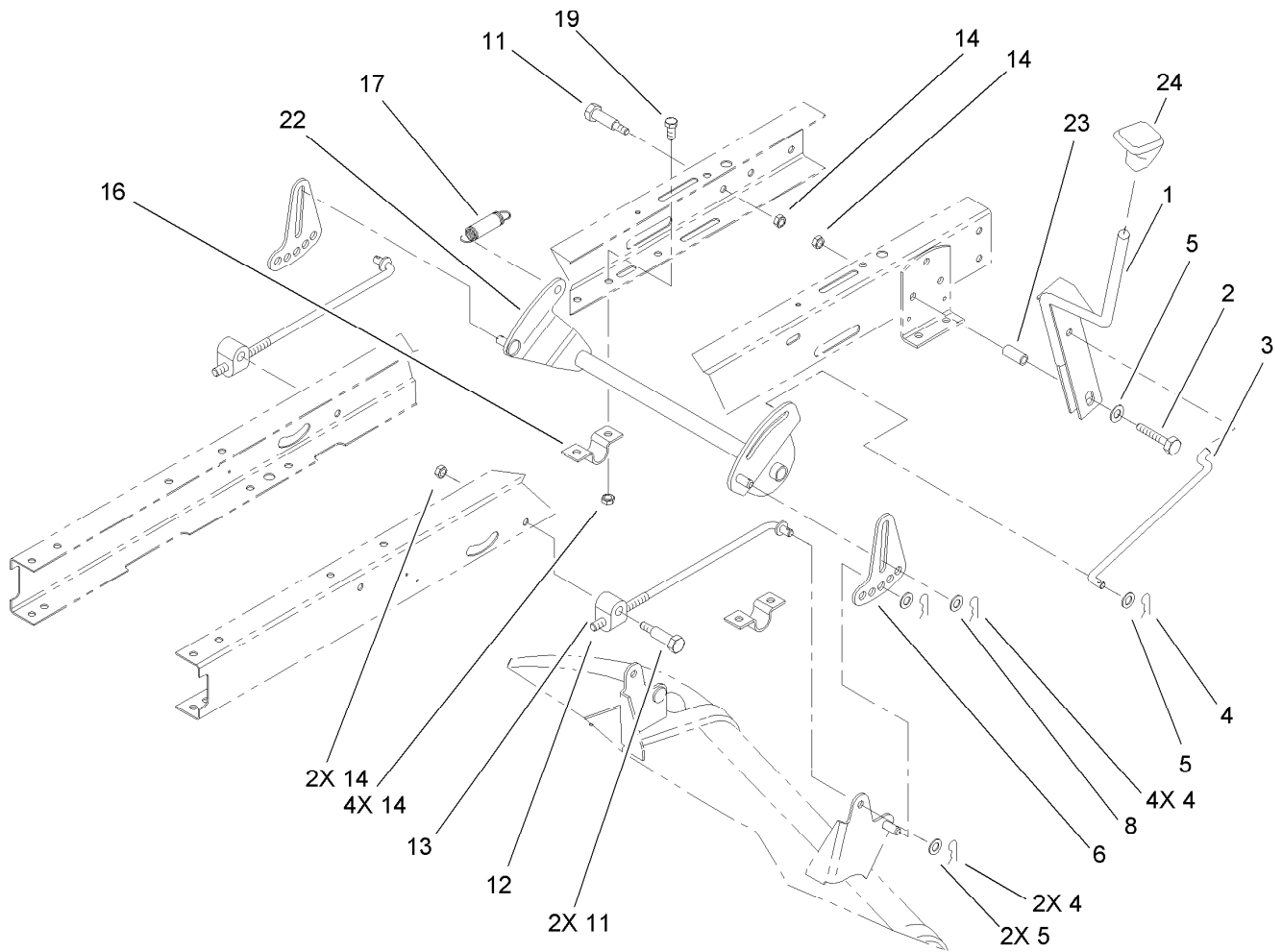
Ref.	Part Number	Qty.	Description
1	85-9910	1	Eyebolt
2	3218-2	2	Nut-Jam
14	3296-58	1	Nut-Lock, NI
18	88-6250	1	Belt-V
19	3256-68	1	Washer-Flat
20	322-5	2	Screw-HH
21	88-5330	2	Pulley ASM
22	3219-6	2	Nut-Hex
23	88-4980	1	Bushing-Arm, Idler

Ref.	Part Number	Qty.	Description
24	3296-39	1	Nut-Lock, NI
25	3296-29	2	Nut-Lock, NI
27	323-12	1	Screw-HH
28	3256-24	2	Washer-Flat
29	107-7307	1	Guide-Idler, Belt
30	88-5630	1	Pulley-Idler, Flat
31	7-0030	1	Screw-Shoulder, HH
32	88-4870-03	1	Arm-Idler



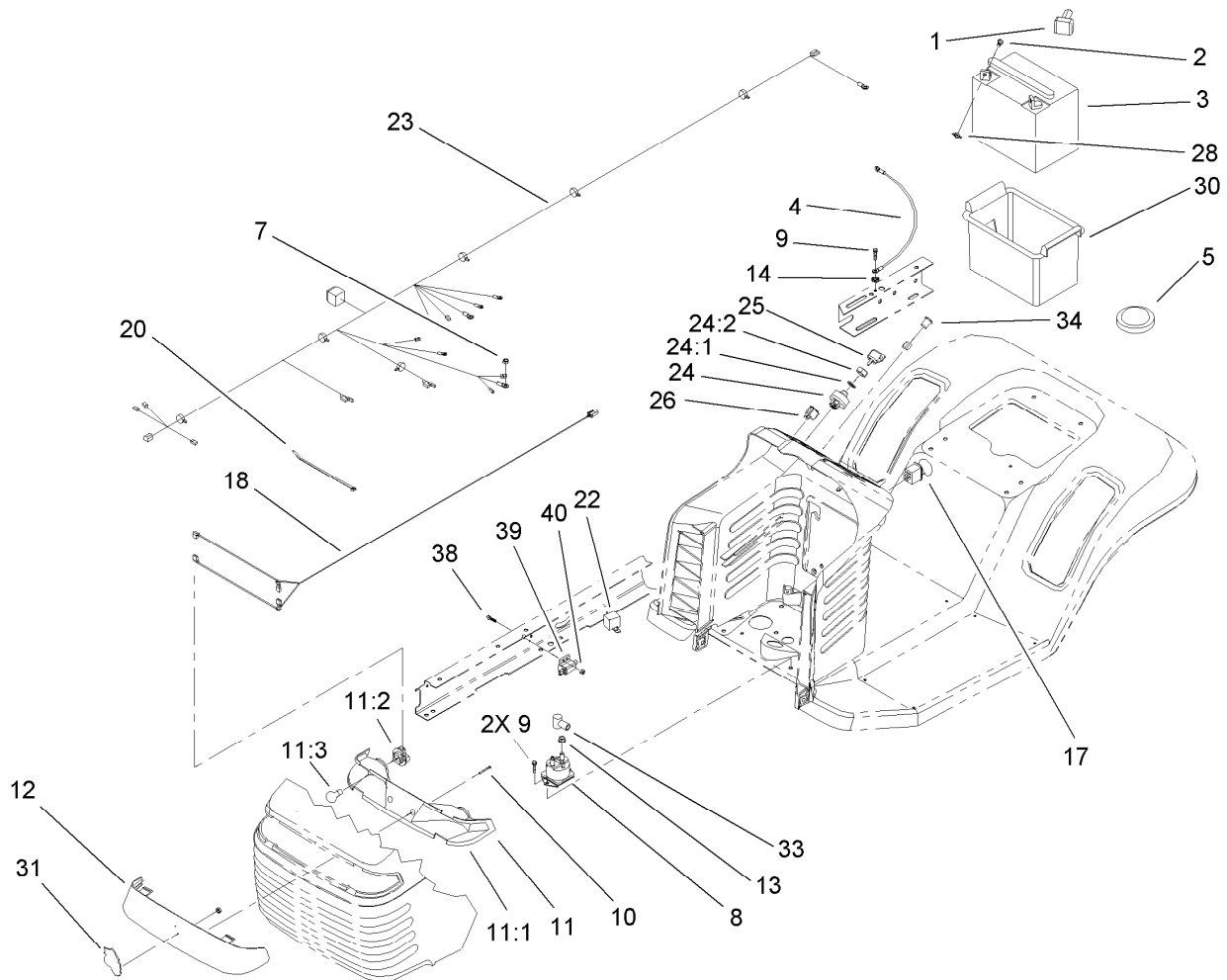
## 38 Inch Deck Engagement Assembly

<i>Ref.</i>	<i>Part Number</i>	<i>Qty.</i>	<i>Description</i>
1	32104-76	5	Screw-Thd Cutting,HWH
2	88-4030	1	Guide-Belt, LH
3	3296-39	2	Nut-Lock, NI
4	93-3881-03	1	Pan-Deck Suspension, Front
5	94-5823	2	Bolt-Shoulder, HH
6	94-1971-03	1	Bracket-Suspension, LH
7	88-4020	1	Guide-Belt, RH
8	61-9980	2	Screw-Adjusting
9	80-6990	4	Washer-Hardened
10	3256-22	2	Washer-Flat
11	3296-42	2	Nut-Lock, NI
12	93-9847	2	Spacer
13	323-9	2	Screw-HH
14	94-1970-03	1	Bracket-Suspension, RH
15	3296-29	2	Nut-Lock, NI
16	322-12	2	Screw-HH
17	3296-23	2	Nut-Lock, NI
18	3296-16	2	Nut-Lock, NI
19	3256-1	2	Washer-Flat
20	95-2747	1	Fitting-Washout
21	46-6290	1	O-Ring, Seal
22	3229-1	2	Bolt-CARR



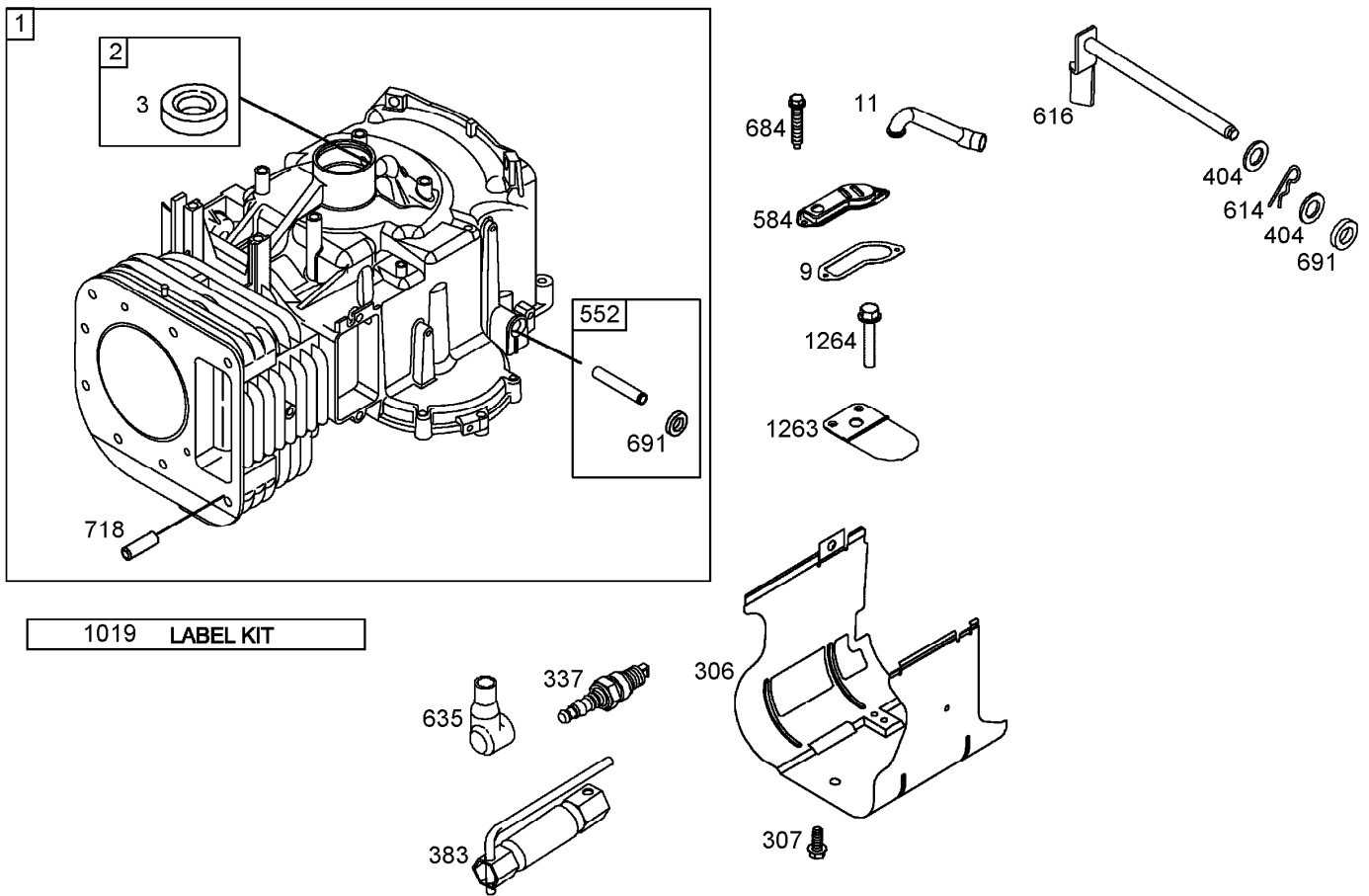
## Height-of-Cut Assembly

Ref.	Part Number	Qty.	Description
1	93-3822-03	1	HOC Lever ASM
2	322-32	1	Screw-HH
3	88-5900	1	Link-HOC
4	3290-307	7	Pin-Hair
5	3256-24	4	Washer-Flat
6	88-5570-03	2	Link-Adjusting, HOC
8	80-6990	4	Washer-Hardened
11	7-0030	3	Screw-Shoulder, HH
12	88-5450	2	Rod-Hanger, Rear
13	88-4230	2	Trunnion-HOC
14	3296-29	8	Nut-Lock, NI
16	88-4730	2	Clamp-Pivot, HOC
17	88-6460	1	Spring-Extension
19	322-3	4	Screw-HH
22	88-5110-03	1	Pivot ASM
23	65-7210	1	Spacer
24	94-5565	1	Knob-Shift



## Electrical Assembly

Ref.	Part Number	Qty.	Description	Ref.	Part Number	Qty.	Description
1	28-8080	1	Boot-Terminal	18	99-1935	1	Harness-Headlight
2	321-4	2	Screw-HH	20	614249	1	Tie-Cable
3	104-1755	1	Battery-155 Cca	22	98-7249	1	Relay
4	44-8110	1	Wire ASM	23	107-4912	1	Harness-Wire
5	100-3524	1	Switch-Seat	24	88-9830	1	Key Switch ASM
7	32149-2	1	Nut-Keps	24:1	3254-5	1	Washer-Tooth, Internal
8	106-8245	1	Solenoid-Starter	24:2	218-461	1	Nut-HH
9	9266714	3	Screw-HWH	25	63-8360	1	Key-Ignition (W/Shield)
10	32144-32	2	Screw	26	92-8875	1	Switch-Rocker
11	88-3970	1	Headlight Reflector ASM	28	32103-22	2	Nut-Wing
11:1	93-8741	1	Reflector-Light	30	88-4040	1	Box-Battery
11:2	116262	2	Socket-Headlight	31	95-4248	1	Emblem
11:3	7228	2	Bulb	33	93-3190	1	Boot-Insulator, Terminal
12	88-3960	1	Lens-Headlight	34	95-7652	1	Light-Indicator
13	32149-2	2	Nut-Keps	38	3274-14	2	Screw-HSH
14	3255-7	2	Washer-Lock/EXT	39	65-7410	1	Switch-Pole, Single
17	93-9998	1	Switch-PTO	40	3296-2	2	Nut-Lock, NI

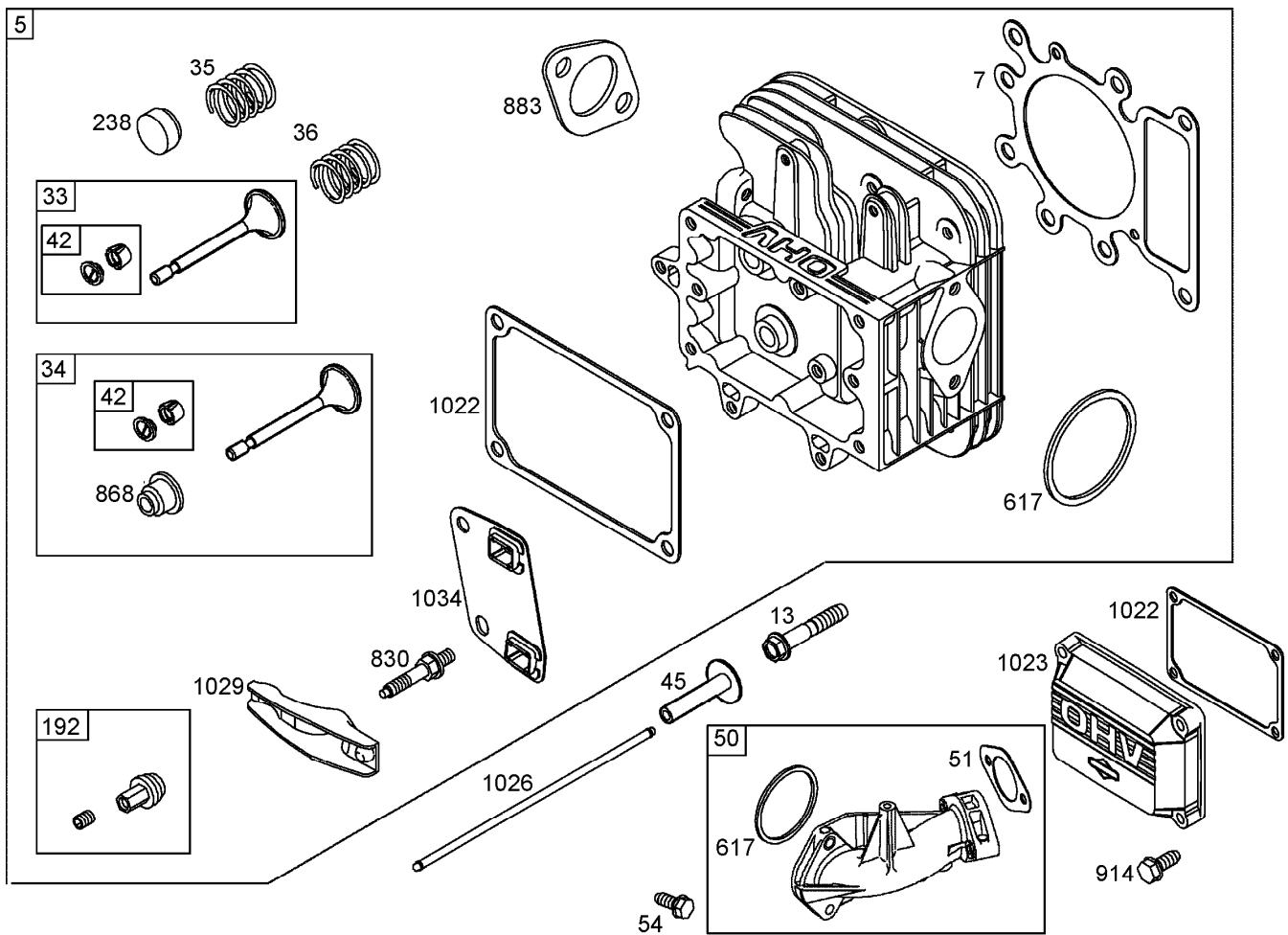


## Cylinder Assembly Briggs and Stratton 286H77-0165-E1

Ref.	Part Number	Qty.	Description
1	697132	1	Cylinder ASM ■
2	399265	1	Bushing And Seal Kit ■
3	391086	1	Seal-Oil ■
9	697109	1	Gasket-Breather ■
11	697113	1	Tube-Breather ■
48	697762	1	Short Block ASM ■●
306	697107	1	Shield-Cylinder ■
307	691003	1	Screw (Cylinder Shield) ■
337	691043	1	Spark Plug ■
383	89838	1	Wrench-Plug, Spark ■
404	691691	1	Washer (Governor Crank) ■
552	697144	1	Bushing-Crank, Governor ■
584	697112	1	Cover-Passage, Breather ■
614	691620	1	Pin-Cotter ■
616	692012	1	Crank-Governor ■
635	691909	1	Boot-Spark Plug ■
684	697157	1	Screw (Breather Passage Cover) ■
691	692407	1	Seal-Shaft, Governor ■
718	690959	1	Pin-Locating ■
1019	697143	1	Label Kit ■
1263	697124	1	Reed-Breather ■
1264	697104	1	Screw (Breather Reed) ■

● Not illustrated

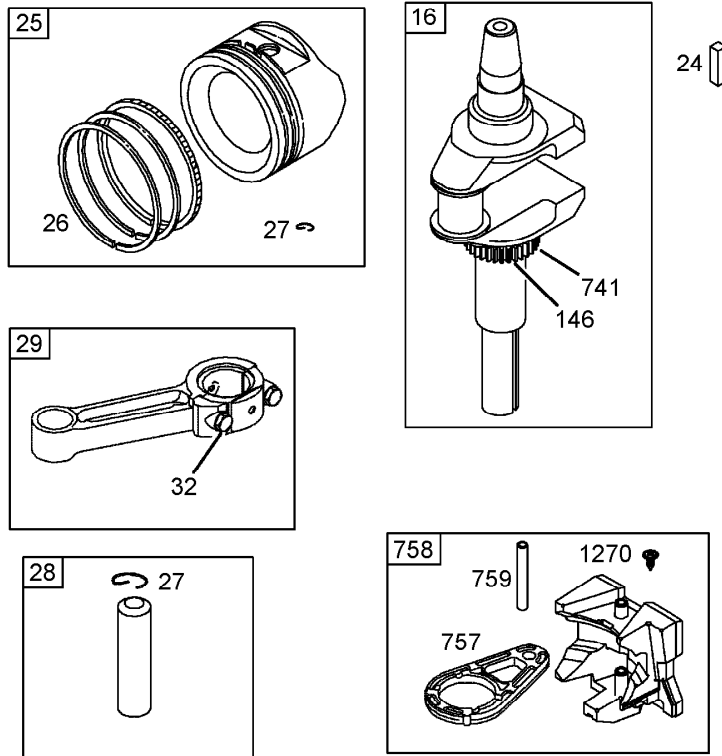
■ Obtain parts from [www.briggsandstratton.com](http://www.briggsandstratton.com)



## Cylinder Head Assembly Briggs and Stratton 286H77-0165-E1

Ref.	Part Number	Qty.	Description	Ref.	Part Number	Qty.	Description
5	698148	1	Head cylinder ●	238	691843	1	Cap-Valve ●
7	273280	1	Gasket-Head, Cylinder ●	617	692138	1	Seal o Ring (Intake Manifold) ●
13	690360	1	Screw (Cylinder Head Gasket) ●	830	691095	1	Stud-Arm, Rocker ●
33	695760	1	Valve-Exhaust ●	868	690968	1	Seal-Valve ●
34	695761	1	Valve-Intake ●	883	692236	1	Gasket-Exhaust ●
35	691279	1	Spring-Valve (Intake) ●	914	691108	1	Screw (Rocker Cover) ●
36	691279	1	Spring-Valve (Exhaust) ●	1022	272475	1	Gasket-Cover, Rocker ●
42	499586	1	Keeper-Valve ●	1023	692492	1	Cover-Rocker ●
45	690564	1	Tappet-Valve ●	1026	692003	1	Rod push ●
50	690193	1	Manifold-Intake ●		692011	1	Rod push ●
51	692137	1	Gasket-Intake ●	1029	691751	1	Arm-Rocker ●
54	691148	1	Screw (Intake Manifold) ●	1034	690822	1	Guide-Rod, Push ●
192	691986	1	Adjustor-Arm, Rocker ●				

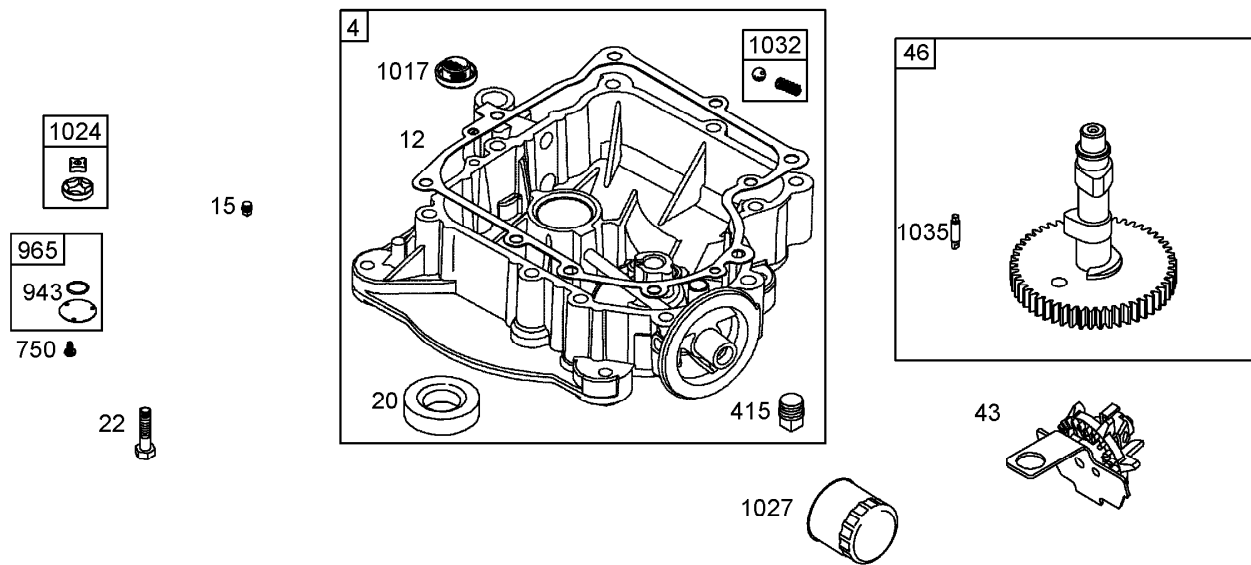
● Obtain parts from [www.briggsandstratton.com](http://www.briggsandstratton.com)



## Crankshaft Assembly Briggs and Stratton 286H77-0165-E1

Ref.	Part Number	Qty.	Description
16	697127	1	Crankshaft ●
24	222698	1	Key ●
25	698371	1	Piston ASM (Standard) (After Code Date 03092800) ●
	697114	1	Piston ASM (Standard) (Before Code Date 03092900) ●
	698375	1	Piston ASM (.020In Oversize) (After Code Date 03092800) ●
	697117	1	Piston ASM (.020In Oversize) (Before Code Date 03092900) ●
26	697115	1	Ring Set (Standard) ●
	697120	1	Ring Set (.020In Oversize) ●
27	698469	1	Lock-Pin, Piston ●
28	697099	1	Pin-Piston (Std) ●
29	697126	1	Rod connecting (Standard) ●
	697263	1	Rod-Connecting (.020In Undersize) ●
32	692852	1	Screw (Connecting Rod) ●
146	691639	1	Key-Timing ●
741	697128	1	Gear-Timing ●
757	697607	1	Link-Counterweight ●
758	697134	1	Counterweight ●
759	697392	1	Pin-Counterweight ●
1270	697156	1	Plug-Counterweight, Avs ●

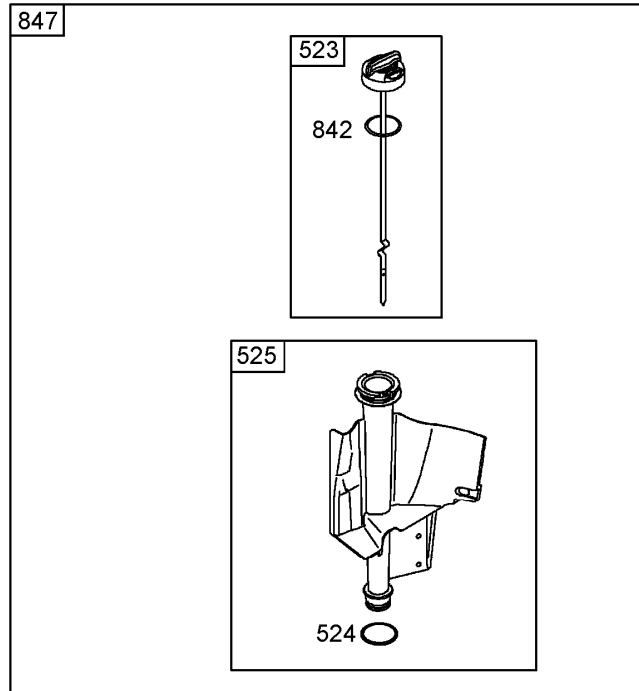
● Obtain parts from [www.briggsandstratton.com](http://www.briggsandstratton.com)



## Crankcase Assembly Briggs and Stratton 286H77-0165-E1

<i>Ref.</i>	<i>Part Number</i>	<i>Qty.</i>	<i>Description</i>
4	697188	1	Sump-Engine ●
12	697110	1	Gasket-Crankcase ●
15	691680	1	Plug-Drain, Oil ●
20	690947	1	Seal-Oil ●
22	692125	1	Screw (Engine Sump) ●
415	690283	1	Plug-Oil ●
43	691968	1	Slinger-Governor, Oil ●
46	790400	1	Camshaft ●
750	691033	1	Screw (Oil Pump Cover) ●
943	690589	1	Seal-O Ring ●
965	499613	1	Cover-Pump, Oil ●
1017	690770	1	Screen-Pump, Oil ●
1024	499054	1	Pump-Oil ●
1027	492932	1	Filter-Oil ●
1032	491710	1	Ball pump, Oil ●
1035	693784	1	Shaft-Pump, Oil ●

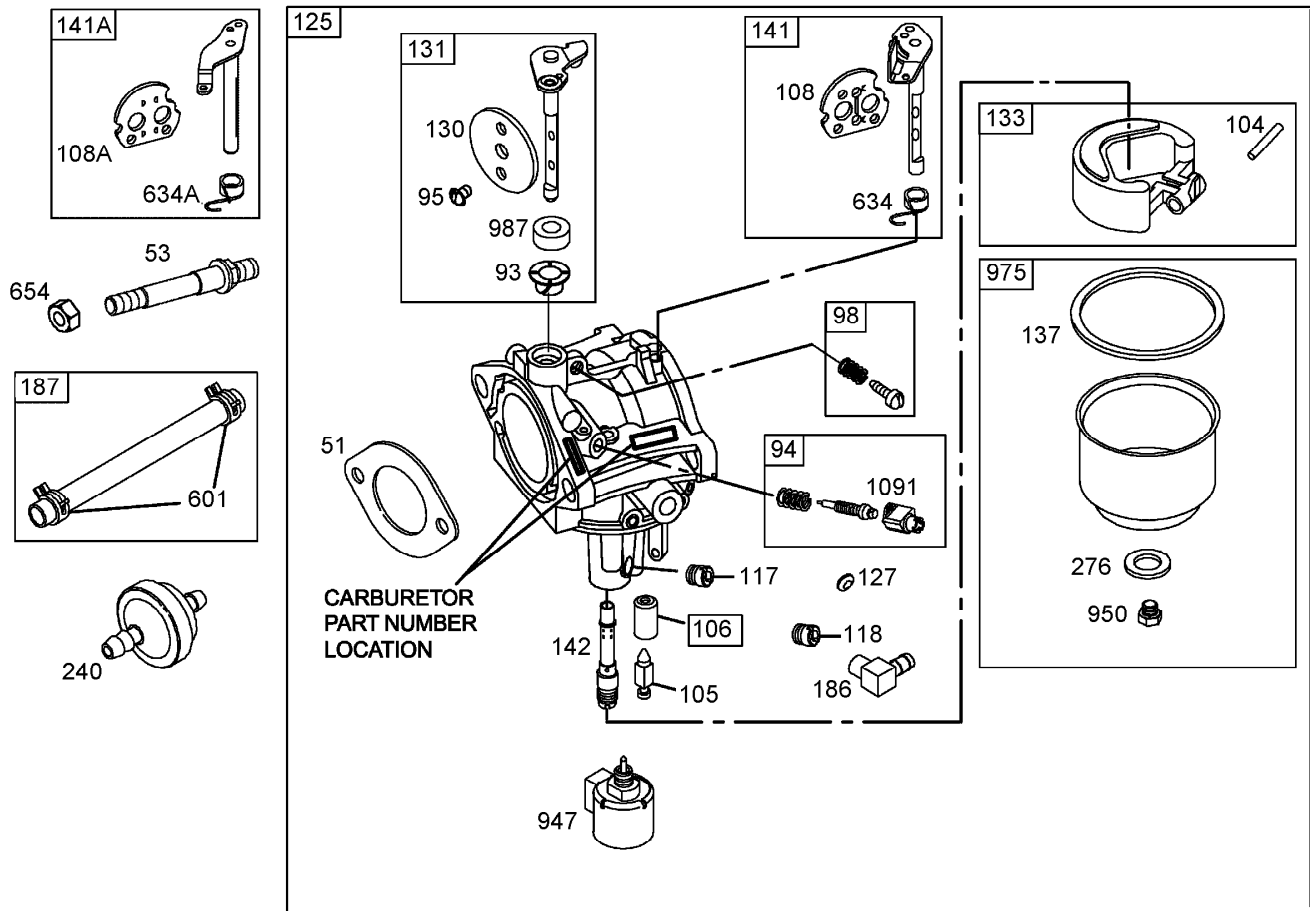
● Obtain parts from [www.briggsandstratton.com](http://www.briggsandstratton.com)



## Oil Filter, Tube and Pump Assembly Briggs and Stratton 286H77-0165-E1

<i>Ref.</i>	<i>Part Number</i>	<i>Qty.</i>	<i>Description</i>
523	699908	1	Dipstick ●
524	691032	1	Seal-O Ring ●
525	697184	1	Tube-Dipstick ●
842	691031	1	Seal-O Ring ●
847	790442	1	Dipstick And Tube ASM ●

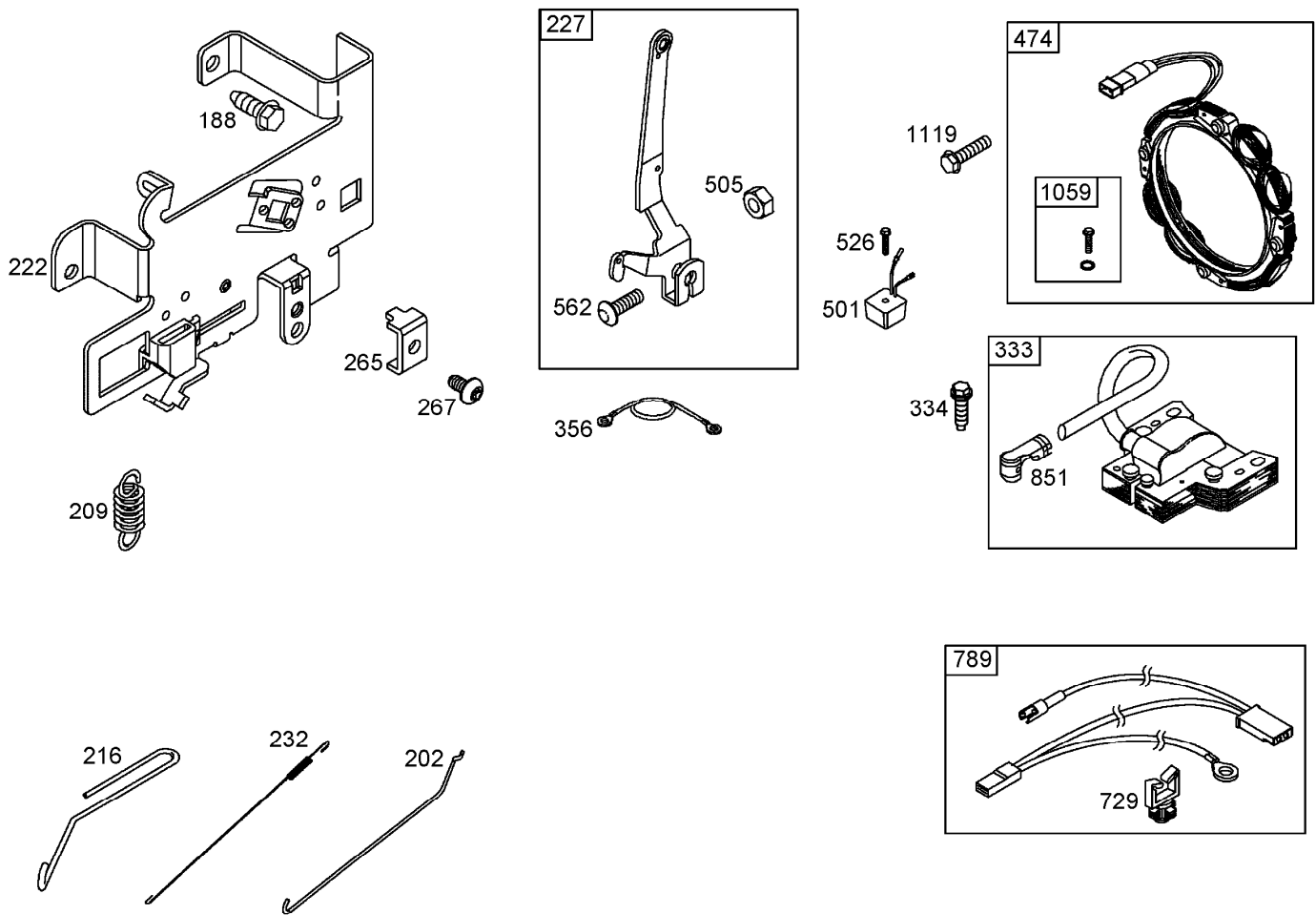
● Obtain parts from [www.briggsandstratton.com](http://www.briggsandstratton.com)



## Carburetor Assembly Briggs and Stratton 286H77-0165-E1

Ref.	Part Number	Qty.	Description	Ref.	Part Number	Qty.	Description
51	692137	1	Gasket-Intake ●	137	281165	1	Gasket-Bowl, Float ●
53	690227	1	Stud (Carburetor) ●	141	495097	1	Choke Shaft Kit (Manual Choke) ●
93	690602	1	Bushing-Shaft, Throttle ●	141A	495931	1	Choke Shaft Kit (Choke A Matic) ●
94	498030	1	Idle Mixture Kit ●	142	697140	1	Nozzle-Carburetor ●
95	691636	1	Screw (Throttle Valve) ●	186	698174	1	Connector-Hose ●
98	495800	1	Idle Speed Kit ●	187	699931	1	Line fuel (Cut To Required Length) ●
104	690525	1	Pin-Hinge, Carburetor Float ●	240	394358	1	Filter-Fuel ●
105	231855	1	Valve-Needle, Float ●	276	692255	1	Washer-Sealing ●
106	690577	1	Seat-Inlet ●	601	95162	1	Clamp-Hose ●
108	690464	1	Valve choke ●	634	690801	1	Spring / Seal ASM ●
108A	692344	1	Valve choke (Choke A Matic) ●	634A	690802	1	Spring And Seal Asm ●
117	694352	1	Jet-Main (Std) ●	654	690958	1	Nut (Carburetor) ●
118	697228	1	Jet-Main (High Altitude) ●	947	694393	1	Solenoid-Fuel ●
125	698445	1	Carburetor ●	950	691657	1	Screw (Float Bowl) ●
127	695005	1	Plug-Welch ●	975	495933	1	Bowl-Float ●
130	691750	1	Valve-Throttle ●	987	691326	1	Seal-Shaft, Throttle ●
131	494379	1	Throttle Shaft Kit ●	1091	691333	1	Cap-Limiter ●
133	494381	1	Float-Carburetor ●				

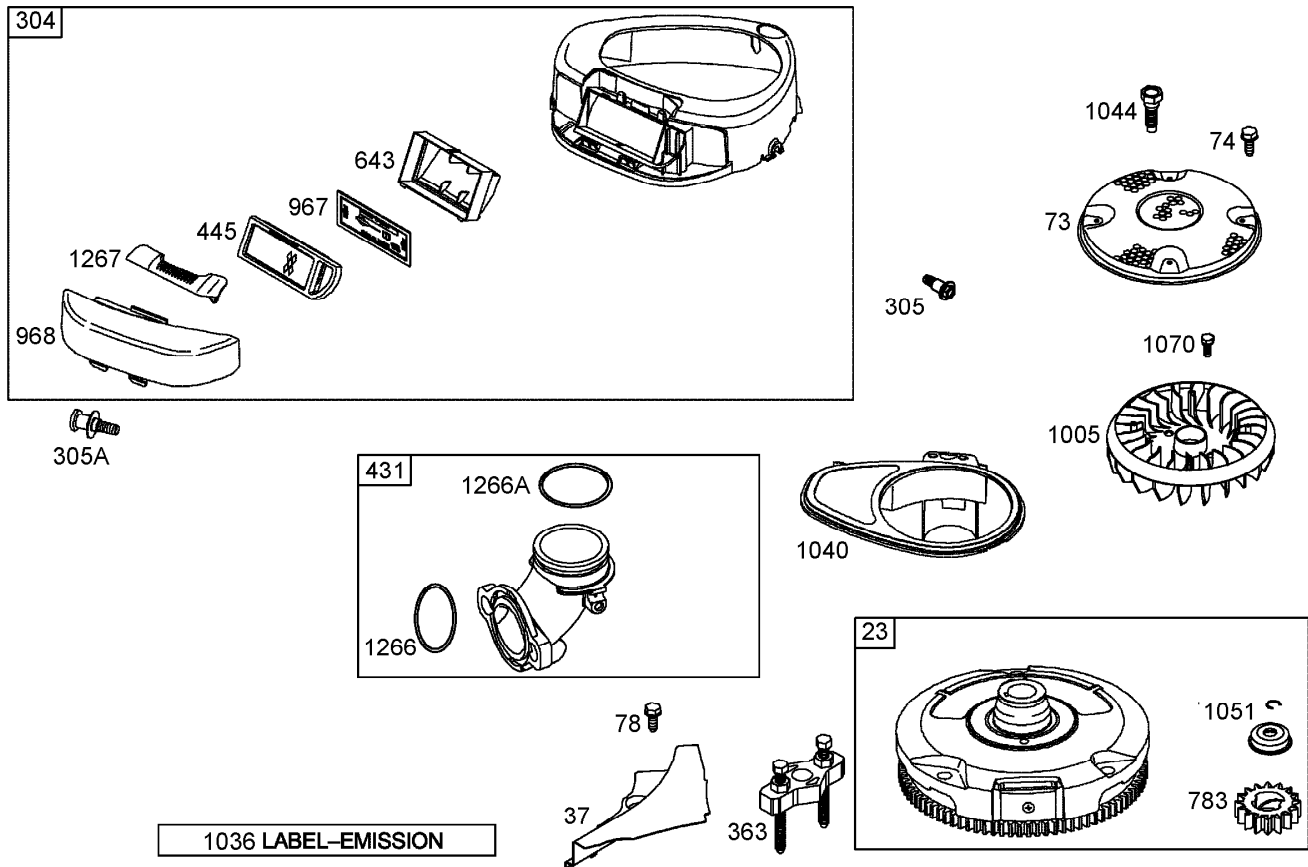
● Obtain parts from [www.briggsandstratton.com](http://www.briggsandstratton.com)



## Governor Assembly Briggs and Stratton 286H77-0165-E1

Ref.	Part Number	Qty.	Description	Ref.	Part Number	Qty.	Description
188	691693	1	Screw (Control Bracket) ●	501	691188	1	Regulator (Used After Code Date 03021600) ●
202	691841	1	Link-Governor, Mechanical ●		691185	1	Regulator (Used Before Code Date 03021700) ●
209	692208	1	Spring-Governor ●	505	691251	1	Nut (Governor Control Lever) ●
216	691840	1	Link-Choke ●	526	697088	1	Screw (Used After Code Date 03021600) ●
222	694042	1	Bracket-Control ●		697348	1	Screw (Used Before Code Date 03021700) ●
227	691374	1	Lever-Control, Governor ●	562	691119	1	Bolt (Governor Control Lever) ●
232	691842	1	Spring-Link, Governor ●	729	691335	1	Clip wire ●
265	691024	1	Clamp-Casing ●	789	692037	1	Wiring-Harness ●
267	695134	1	Screw (Casing Clamp) ●	851	692424	1	Terminal spark Plug ●
333	492341	1	Armature-Magneto ●	1059	698516	1	Screw And Washer Kit ●
334	691061	1	Screw (Magneto Armature) ●	1119	691183	1	Screw (Alternator) ●
356	697089	1	Stop-Wire ●				
474	696457	1	Alternator (Used After Code Date 03021600) ●				
	696458	1	Alternator (Used Before Code Date 03021700) ●				

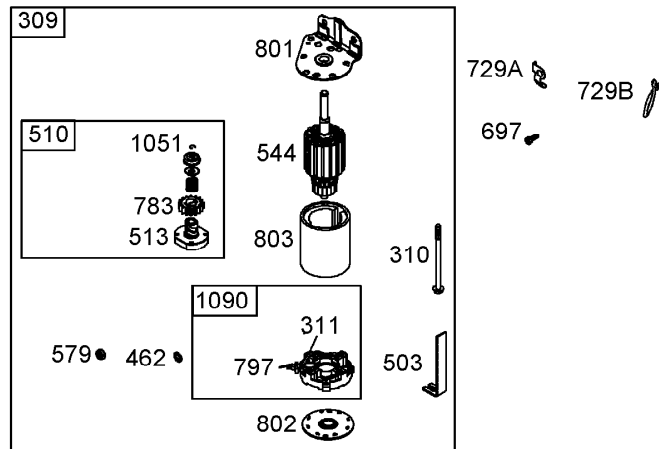
● Obtain parts from [www.briggsandstratton.com](http://www.briggsandstratton.com)



## Blower Housing Assembly Briggs and Stratton 286H77-0165-E1

Ref.	Part Number	Qty.	Description	Ref.	Part Number	Qty.	Description
23	693556	1	Flywheel ●	968	697084	1	Cover-Cleaner, Air ●
37	697352	1	Guard-Flywheel ●	1005	699043	1	Fan-Flywheel ●
73	697133	1	Screen-Rotating ●	1036	790464	1	Label emission (Used After Code Date 04063000) ●
74	697897	1	Screw (Rotating Screen) ●		695700	1	Label emission (Used Before Code Date 04070100) ●
78	691003	1	Screw (Flywheel Guard) ●	1040	699852	1	Plate-Trim ●
304	698599	1	Housing-Blower ●	1044	698139	1	Screw (Crankshaft Extension) ●
305	697102	1	Screw (Blower Housing) ●	1051	691265	1	Ring-Retaining ●
305A	697103	1	Screw (Blower Housing) ●	1070	690372	1	Screw (Flywheel Fan) ●
363	19203	1	Puller-Flywheel ●	1266	691917	1	Seal-O Ring ●
431	697122	1	Elbow-Intake ●	1266A	697123	1	Seal-O Ring ●
445	698083	1	Filter-Cartridge, Air Cleaner ●	1267	697419	1	Latch-Housing, Blower ●
643	698401	1	Retainer-Filter, Air ●				
783	693713	1	Gear-Pinion ●				
967	697015	1	Filter-Cleaner, Pre ●				

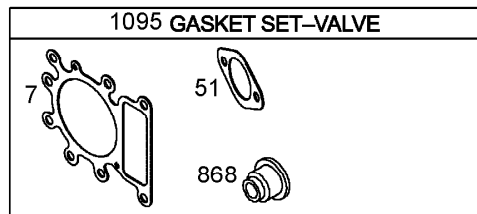
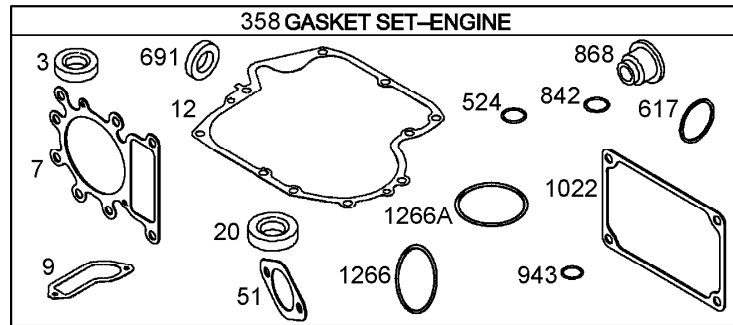
● Obtain parts from [www.briggsandstratton.com](http://www.briggsandstratton.com)



## Starter Assembly Briggs and Stratton 286H77-0165-E1

<i>Ref.</i>	<i>Part Number</i>	<i>Qty.</i>	<i>Description</i>
309	693551	1	Motor-Starter ●
310	690323	1	Bolt (Starter Motor) ●
311	497608	1	Brush Set ●
462	691261	1	Washer (Brush Retainer) ●
503	691532	1	Strap-Starter ●
510	693699	1	Drive-Starter ●
513	692024	1	Clutch-Drive ●
544	692034	1	Armature-Starter ●
579	691029	1	Nut (Brush Retainer) ●
697	690372	1	Screw (Drive Cap) ●
729A	691224	1	Clip-Wire ●
729B	694123	1	Clip wire ●
783	693713	1	Gear-Pinion ●
797	693167	1	Nut (Brush Retainer) ●
801	691283	1	Cap-Drive ●
802	691286	1	Cap-End ●
803	693757	1	Housing-Starter ●
1051	691265	1	Ring-Retaining ●
1090	691293	1	Retainer-Brush ●

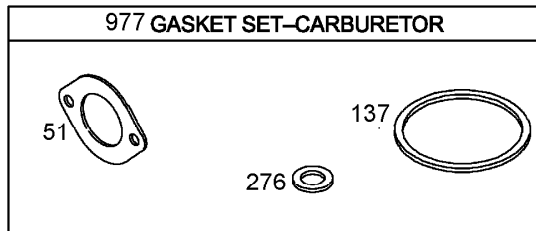
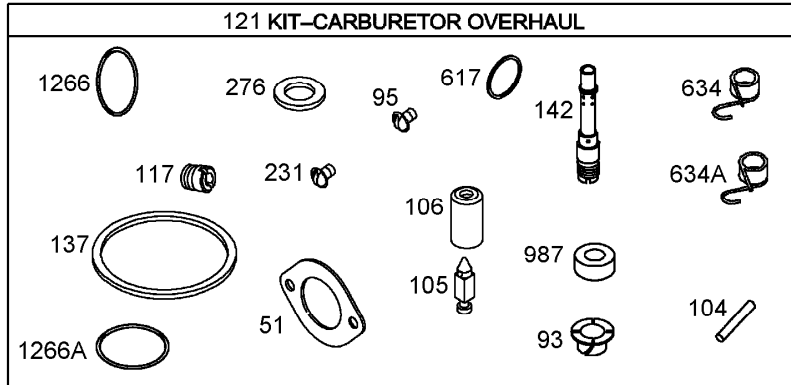
● Obtain parts from [www.briggsandstratton.com](http://www.briggsandstratton.com)



## Gasket Assembly Briggs and Stratton 286H77-0165-E1

<i>Ref.</i>	<i>Part Number</i>	<i>Qty.</i>	<i>Description</i>
3	391086	1	Seal-Oil ●
7	273280	1	Gasket-Head, Cylinder ●
9	697109	1	Gasket-Breather ●
12	697110	1	Gasket-Crankcase ●
20	690947	1	Seal-Oil ●
51	692137	1	Gasket-Intake ●
358	697151	1	Engine Gasket Set ●
617	692138	1	Seal-O Ring ●
524	691032	1	Seal-O Ring ●
691	692407	1	Seal-Shaft, Governor ●
842	691031	1	Seal-O Ring ●
868	690968	1	Seal-Valve ●
943	690589	1	Seal-O Ring ●
1022	272475	1	Gasket-Cover, Rocker ●
1095	691581	1	Valve Gasket Set ●
1266	691917	1	Seal-O Ring ●
1266A	697123	1	Seal-O Ring ●

● Obtain parts from [www.briggsandstratton.com](http://www.briggsandstratton.com)



## Carburetor Overhaul Kit Briggs and Stratton 286H77-0165-E1

<i>Ref.</i>	<i>Part Number</i>	<i>Qty.</i>	<i>Description</i>
51	692137	1	Gasket-Intake ●
93	690602	1	Bushing-Shaft, Throttle ●
95	691636	1	Screw (Throttle Valve) ●
104	690525	1	Pin-Hinge, Carburetor Float ●
105	231855	1	Valve-Needle, Float ●
106	690577	1	Seat-Inlet ●
117	694352	1	Jet-Main (Std) ●
121	697154	1	Carburetor Overhaul Kit ●
137	281165	1	Gasket-Bowl, Float ●
142	697140	1	Nozzle-Carburetor ●
231	691636	1	Screw (Choke Valve) ●
276	692255	1	Washer-Sealing ●
617	692138	1	Seal-O Ring ●
634	690801	1	Spring / Seal ASM ●
634A	690802	1	Spring And Seal Asm ●
977	690192	1	Carburetor Gasket Set ●
987	691326	1	Seal-Shaft, Throttle ●
1266	691917	1	Seal-O Ring ●
1266A	697123	1	Seal-O Ring ●

● Obtain parts from [www.briggsandstratton.com](http://www.briggsandstratton.com)

# Attachments and Accessories

## For 71246 XL 380H Lawn Tractor

<b>Product Name</b>	<b>Model/Part</b>
Counterweight Kit .....	100-6230
8 Inch Rear Wheel Weight Kit .....	59159
9.0 cu. ft. Twin Bagger .....	79103
6.0 cu. ft. Easy-Empty Grass Catcher .....	79117
42 Inch Snow Blade .....	79150
Recycler Kit .....	79170
10 cu. ft. Dump Cart .....	79901
Snow Cab .....	79912
Sunshade .....	79913
10 cu. ft. Poly Dump Cart .....	79935
Folding Loading Ramp.....	79949
Sweeper .....	79985
Tractor Rack .....	79990
Tire Chains Kit .....	82311
Anti-Scalp Roller Kit.....	93-3898
Exhaust Deflector .....	94-6872
Tower Kit.....	98-9880

**Notes:**



**Count on it.**