



Count on it.

Parts Catalog

XL 380H Lawn Tractor

Model No. 71252—Serial No. 280000001 and Up



Ordering Replacement Parts

To order replacement parts, please supply the part number, the quantity, and the description of each part desired.

Understanding Reference Numbers

Each identified part in an illustration has a reference number. The reference number for a part also appears in the parts list, along with other information about the part.

This catalog uses two special reference number formats, one to indicate parts in a service assembly and another to indicate the quantity of a given part in an illustration.

Service Assembly Reference Numbers

Parts in service assemblies have reference numbers in the form a:b. The a represents the reference number of the entire service assembly and the b represents a sequential number unique to each part within the service assembly.

For example, a wheel assembly might be identified by reference number 6, the tire by 6:1, the valve by 6:2, and the wheel by 6:3. When you order the assembly identified by reference number 6, you receive all parts identified by reference numbers 6:1, 6:2, and 6:3. However, you may also order any part individually. Reference numbers of this type appear in illustration and in parts lists.

Reference Numbers Indicating Quantity

In an illustration, if a reference number indicates more than one part, the reference number has the form nX y. The n represents the quantity of the part, the X is the multiplication symbol, and the y represents the reference number.

For example, in an illustration, the reference number 2X 37 means that two of the parts identified by reference number 37 are indicated.

List of Abbreviations

AR: as required

ASM: assembly

BBC: blade brake control

BHTF: button head thread forming

CARR: carriage

CCW: counter clockwise

CW: clockwise

DEG: degrees

DPA: Dual Point Adjustment

ECM: electronic control module

EXT: external

FH: flat head

GA: gauge

HD: heavy-duty

HF: hex flange

HH: hex head

HHF: hex head flange

HHFTF: hex head flange thread forming

HJ: hex jam

HLH: hex lag head

HOC: height-of-cut

HSBH: hex socket button head

HSFH: hex socket flat head

HSH: hex socket head

HWH: hex washer head

HWHTF: hex washer head thread forming

HYD: hydraulic

LH: left hand

LP: Liquefied Petroleum Gas

LPG: Liquefied Petroleum Gas

NI: nylon insert

NPTF: national pipe thread fine

PFH: phillips flat head

PPH: phillips pan head

PPHTF: phillips pan head thread forming

PRH: phillips round head

PTH: phillips truss head

PTO: power-take-off

RH: right hand

ROPS: roll-over protection system

RRB: rear roller brush

SFH: slotted fillister head

SHH: slotted hex head

SHWH: slotted hex washer head

SPH: slotted pan head

SQH: square head

SRH: slotted round head

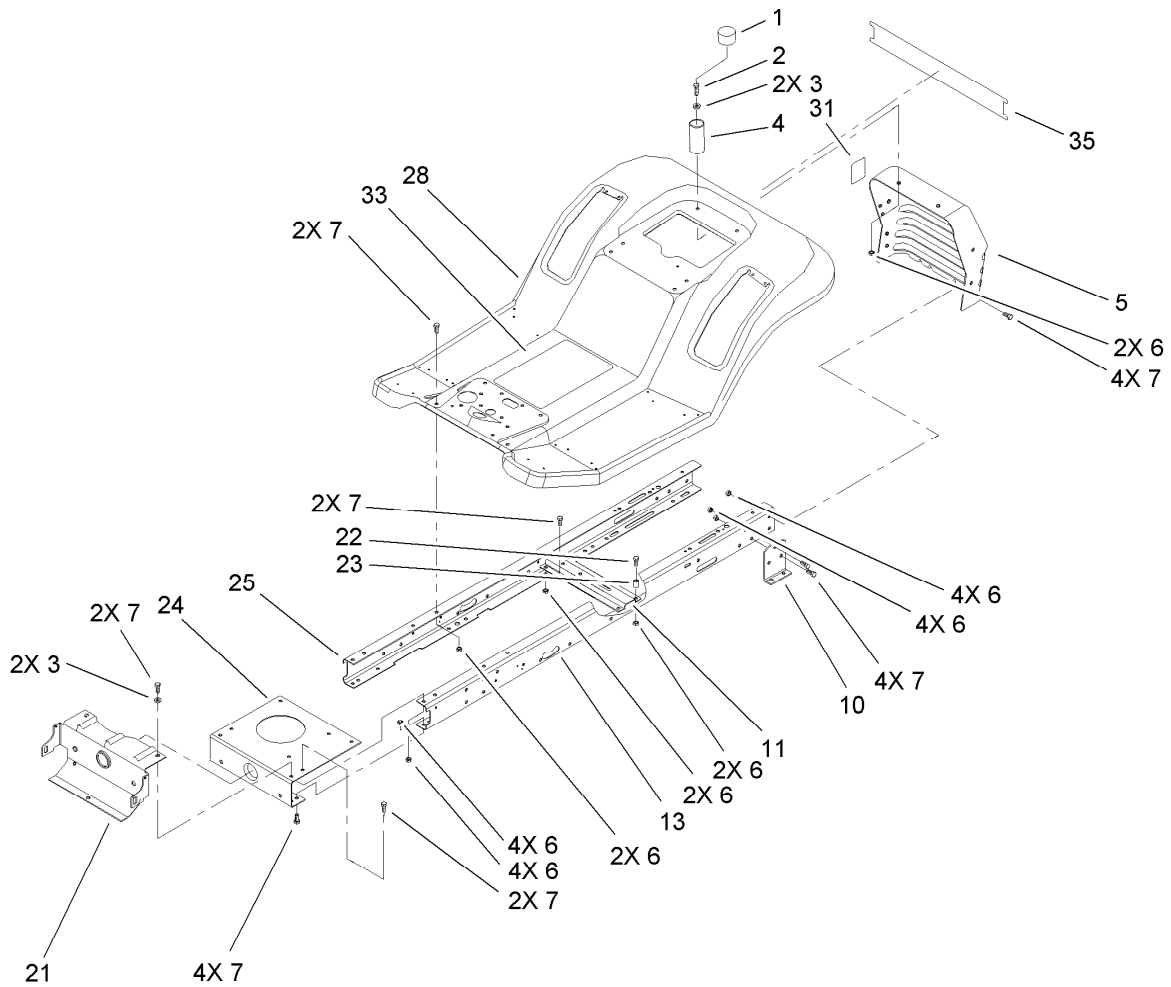
STD: standard

TAP: self tapping

TTH: torx truss head

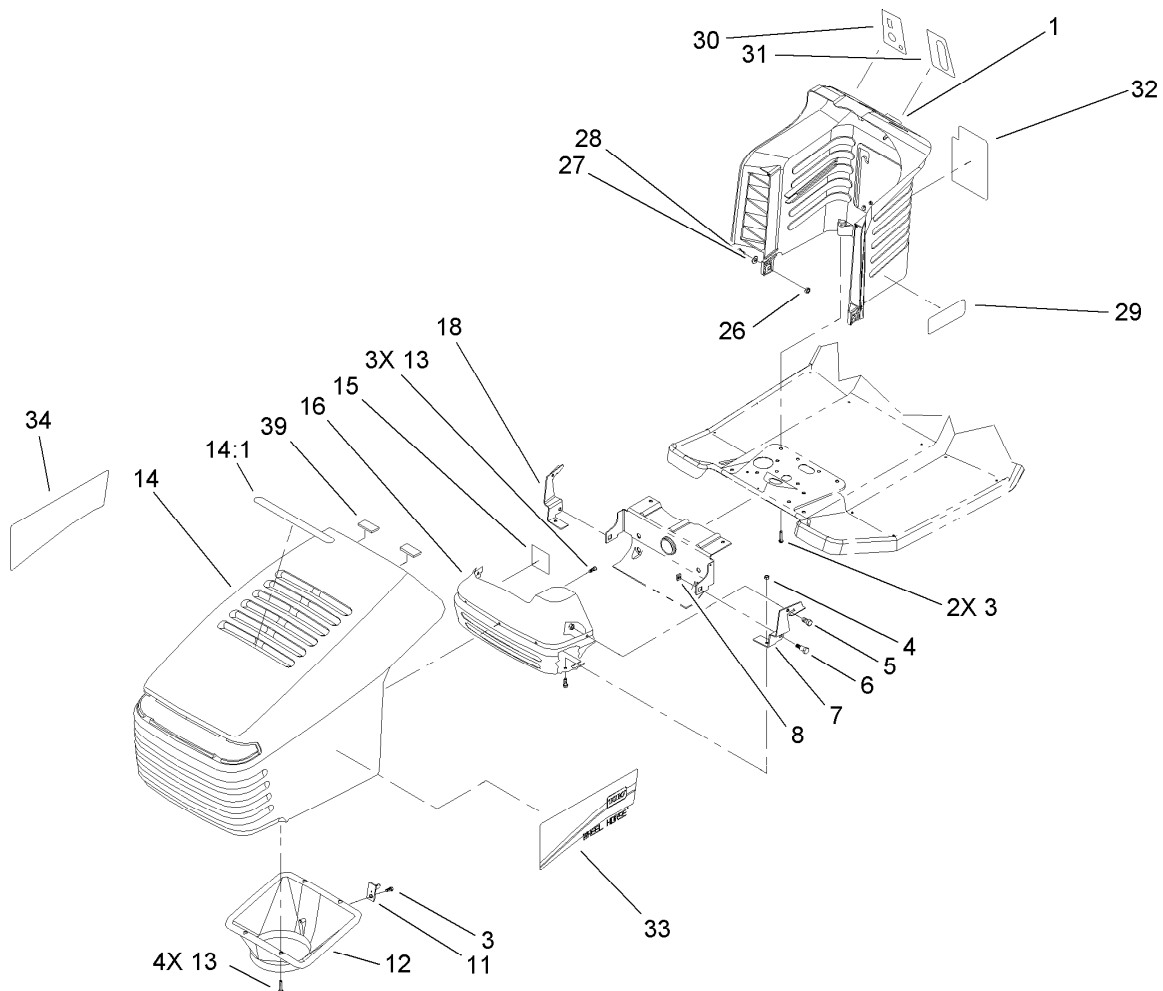
Contents

Frame and Body Assembly	4
Hood and Tower Assembly	5
Rear Body and Seat Assembly	6
Steering Assembly	7
Fixed Steering Assembly	8
Engine Assembly	9
Traction Clutch Assembly	10
Rear Wheel and Tire Assembly	11
Hydro Transaxle Assembly	12
Hydro Transaxle Control Assembly	13
38 Inch Deck Assembly	14
38in Deck Blade Drive Assembly	15
38 Inch Deck Engagement Assembly	16
Height-of-Cut Assembly	17
Electrical Assembly	18
Cylinder Assembly Briggs and Stratton Model 31E777-0130-E1	19
Cylinder Head Assembly Briggs and Stratton Model 31E777-0130-E1	20
Crankshaft Assembly Briggs and Stratton Model 31E777-0130-E1	21
Crankcase Assembly Briggs and Stratton Model 31E777-0130-E1	22
Carburetor Assembly (Nikki) Briggs and Stratton Model 31E777-0130-E1	23
Governor Assembly Briggs and Stratton Model 31E777-0130-E1	24
Blower Housing Assembly Briggs and Stratton Model 31E777-0130-E1	25
Starter Assembly Briggs and Stratton Model 31E777-0130-E1	26
Gasket Set Briggs and Stratton Model 31E777-0130-E1	27
CarburetorOverhaul Kit (Nikki) Briggs and Stratton Model 31E777-0130-E1	28
Attachments and Accessories	29



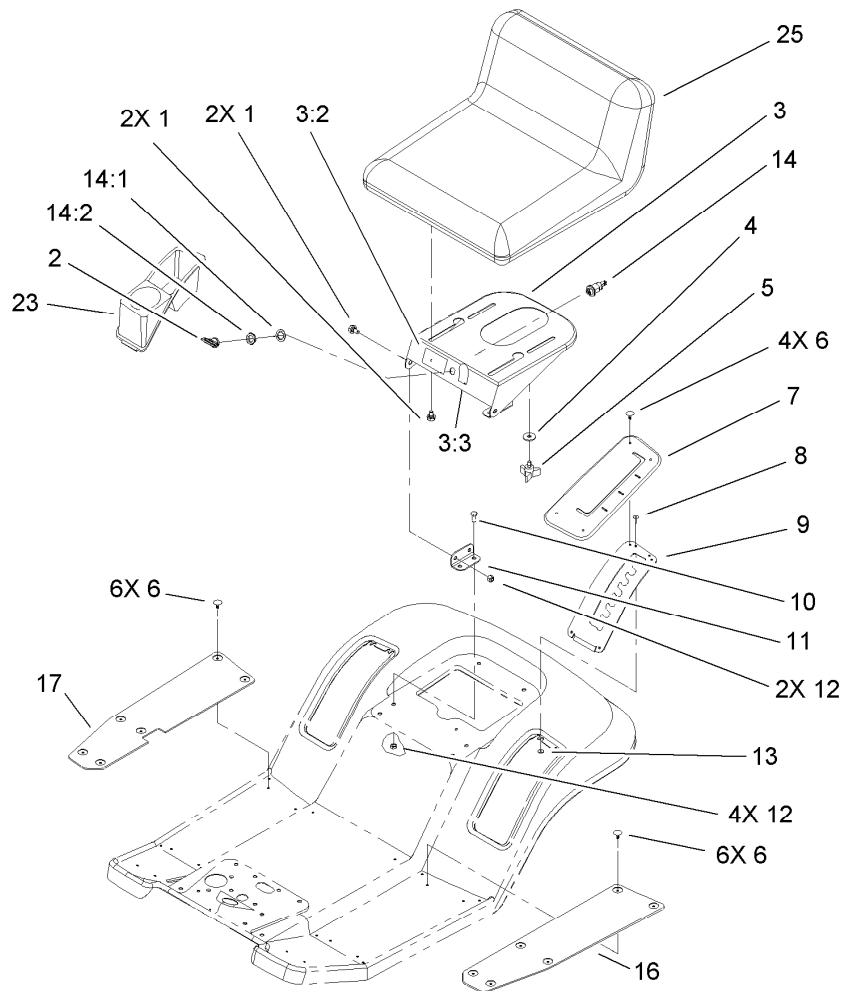
Frame and Body Assembly

<i>Ref.</i>	<i>Part Number</i>	<i>Qty.</i>	<i>Description</i>
1	701178	2	Cap-Protector
2	322-5	2	Screw-HH
3	3256-23	4	Washer-Flat
4	88-6220	2	Spring-Compression
5	99-2957-03	1	Support-Seat/Rear Hitch
6	3296-29	24	Nut-Lock, NI
7	322-3	20	Screw-HH
10	88-5260-03	2	Bracket-Transaxle, Mounting
11	88-4620-03	1	Bracket-Idler Pivot
13	99-2958-03	1	Rail-Frame, LH
21	110-8636-03	1	Support-Axle, Front
22	322-12	2	Screw-HH
23	88-5470	2	Spacer
24	88-4630-03	1	Plate-Mounting, Engine
25	99-2959-03	1	Rail-Frame, RH
28	99-2971	1	Rear Body ASM
31	100-7449	1	Decal-Valve, Dump
33	93-6676	1	Decal-Instruction
35	105-2498	1	Decal-Rear Fender, Lawn Tractors



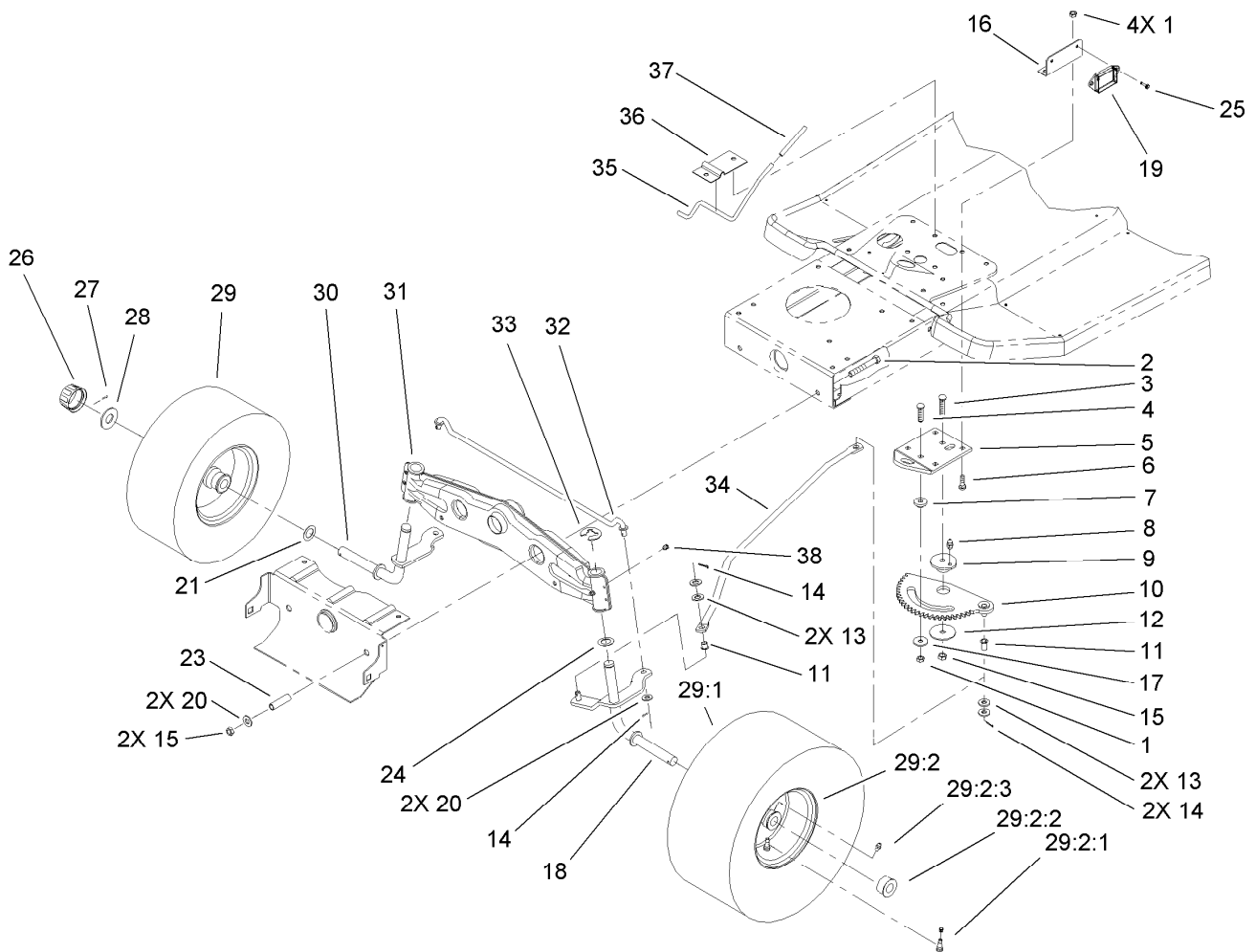
Hood and Tower Assembly

<i>Ref.</i>	<i>Part Number</i>	<i>Qty.</i>	<i>Description</i>	<i>Ref.</i>	<i>Part Number</i>	<i>Qty.</i>	<i>Description</i>
1	107-4920	1	Tower-Steering	16	93-3864-03	1	Shield-Heat
3	46-8091	3	Screw-HWH	18	88-6040-03	1	Bracket-Pivot, RH Hood
4	3296-42	4	Nut-Lock, NI	26	3296-29	2	Nut-Lock, NI
5	321-2	4	Screw-HH	27	3256-23	2	Washer-Flat
6	28-0540	2	Bolt-Shoulder	28	322-3	2	Screw-HH
7	88-6050-03	1	Bracket-Pivot, LH Hood	29	108-7804	2	Decal
8	3290-496	2	Nut-Retainer	30	99-8141	1	Decal-Ignition/Lights
11	94-1984	1	Latch-Pin	31	92-5730	1	Decal-Throttle/Choke
12	93-3891	1	Duct-Air, Hood	32	107-4922	1	Decal-Danger
13	46-8090	7	Screw-Plastite	33	105-2497	1	Decal-Hood
14	92-8650	1	Hood ASM	34	105-2496	1	Decal-Hood
14:1	92-5748	1	Decal-Air Duct	39	94-1980	2	Foam-Hood
15	92-5782	3	Tape-Foil				



Rear Body and Seat Assembly

Ref.	Part Number	Qty.	Description
1	37-8770	4	Bolt-Shoulder
2	63-8360	1	Key-Ignition (W/Shield)
3	106-6437	1	Seat Support ASM
3:2	99-2986	1	Decal-Danger
3:3	99-5340	1	Decal-Switch
4	5-4460	2	Washer-Pivot
5	92-9674	2	Knob
6	3290-479	16	Fastener-Panel
7	93-7657	1	Cover-HOC
8	3290-282	2	Rivet-Blind
9	88-5030-03	1	Gate-HOC
10	322-3	4	Screw-HH
11	88-4820-03	2	Bracket-Pivot, Seat
12	3296-29	6	Nut-Lock, NI
13	3269-26	2	Washer-Plain
14	46-5780	1	Starter Switch ASM
14:1	3254-5	1	Washer-Tooth, Internal
14:2	218-461	1	Nut-HH
16	88-5240	1	Mat-Foot, LH
17	88-5230	1	Mat-Foot, RH
23	88-4990	1	Tray-Fender
25	106-6439	1	Seat-11 Inch

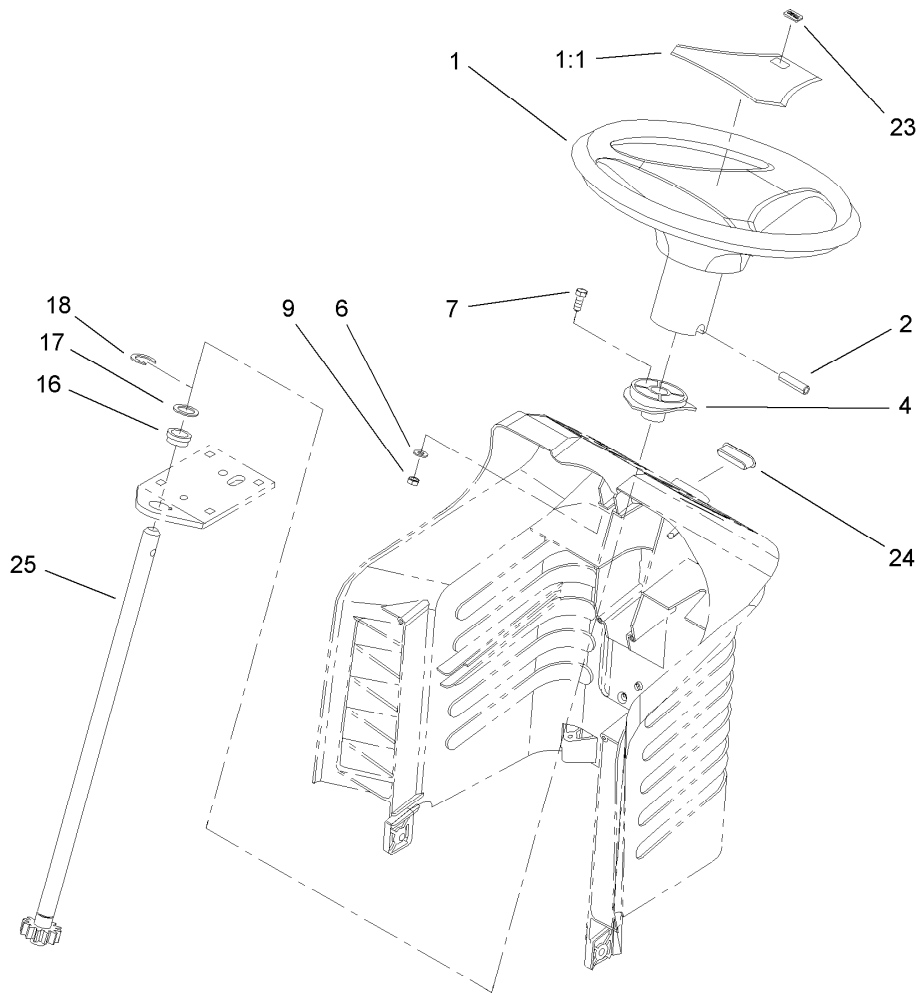


Steering Assembly

Ref.	Part Number	Qty.	Description	Ref.	Part Number	Qty.	Description
1	3296-29	5	Nut-Lock, NI	24	3-6498	2	Washer-Thrust
2	323-13	2	Screw-HH	25	9266714	2	Screw-HWH
3	3231-4	1	Screw-CARR	26	61-9780	2	Cap-Hub
4	3230-3	1	Screw-CARR	27	3272-12	2	Pin-Cotter
5	88-5130-03	1	Bracket-Rack, Steering	28	28-2480	2	Washer-Plain
6	3230-2	4	Bolt-CARR	29		2	Front Wheel And Tire ASM ■
7	88-5010	1	Spacer-Rack, Steering	29:1	99-2988	1	Tire
8	302-26	1	Fitting-Grease	29:2	99-6829	1	Rim ASM
9	88-4670	1	Bushing-Eccentric	29:2:1	232-27	1	Stem-Valve
10	88-5200	1	Rack-Steering	29:2:2	110513	2	Bearing-Wheel
11	52-2891	2	Bushing-Flanged, Nylon	29:2:3	302-5	1	Fitting-Grease
12	111419	1	Washer-Bearing	29:3	232-39	1	Tube-Inner ●
13	3256-25	4	Washer-Flat	30	92-7889-03	1	RH Spindle ASM
14	3272-10	4	Pin-Cotter	31	99-6844-03	1	Axle-Front
15	3296-39	3	Nut-Lock, NI	32	88-5380	1	Tie Rod-Steering
16	99-2956-03	1	Bracket-Module	33	32151-48	2	E-Ring
17	5-4460	1	Washer-Pivot	34	88-4830	1	Link-Drag
18	92-7890-03	1	LH Spindle ASM	35	88-5510	1	Rod-Brake, Parking
19	99-3701	1	Module-Clutch	36	88-5520-03	1	Bracket-Parking Brake
20	3256-24	4	Washer-Flat	37	88-0890	1	Grip-Brake, Parking
21	3-6498	4	Washer-Thrust	38	302-5	2	Fitting-Grease
23	88-5470	2	Spacer				

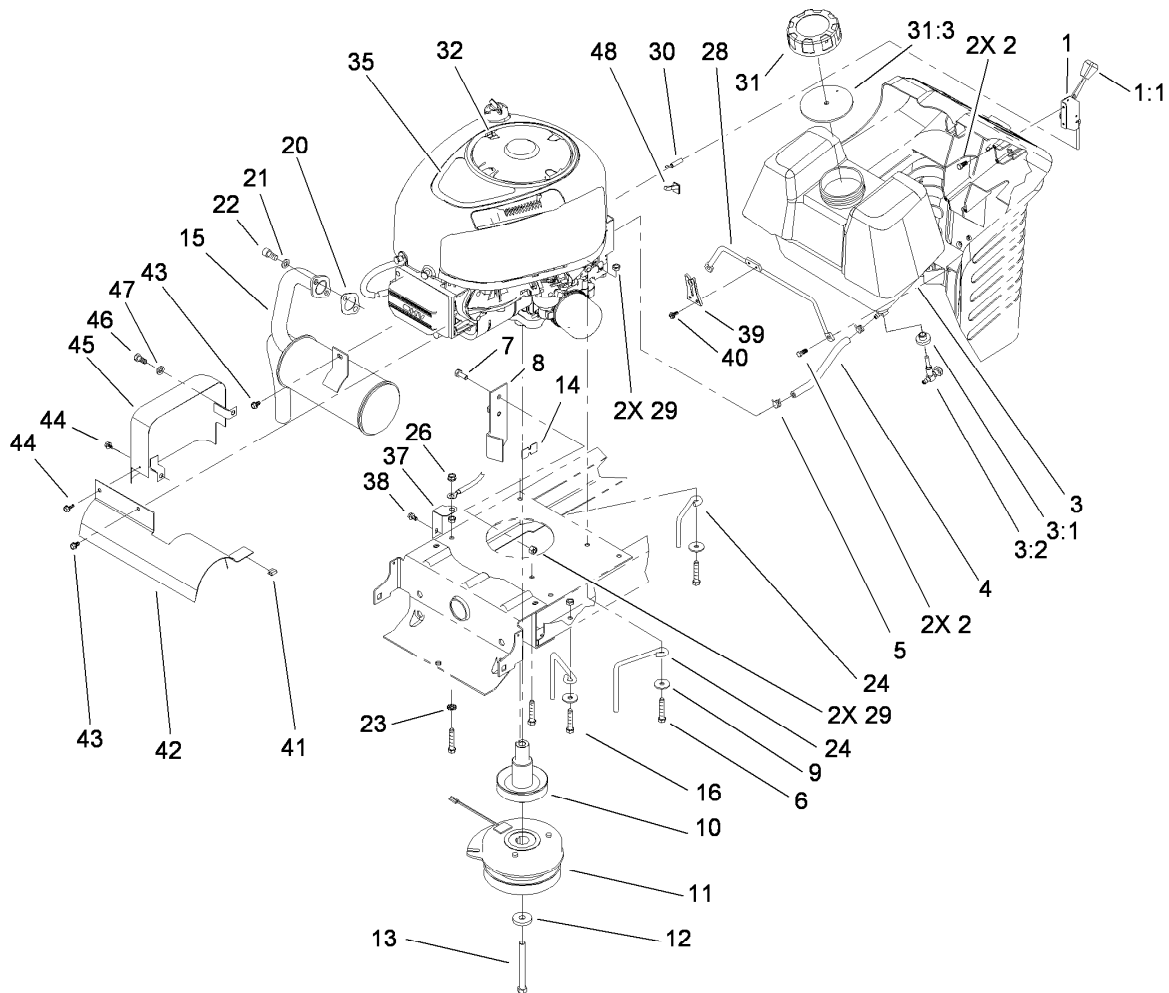
● Not illustrated

■ Not serviced separately



Fixed Steering Assembly

<i>Ref.</i>	<i>Part Number</i>	<i>Qty.</i>	<i>Description</i>
1	98-1467	1	Steering Wheel ASM
1:1	98-1468	1	Cover-Wheel, Steering
2	32121-111	1	Pin-Roll
4	88-4190	1	Bushing-Sliding
6	3256-22	2	Washer-Flat
7	321-4	2	Screw-HH
9	3296-42	2	Nut-Lock, NI
16	88-5150	1	Bearing-Flange
17	3-6498	1	Washer-Thrust
18	32151-48	1	E-Ring
23	98-1459	1	Decal
24	88-4150	1	Plug
25	88-6380	1	Shaft-Steering, Long

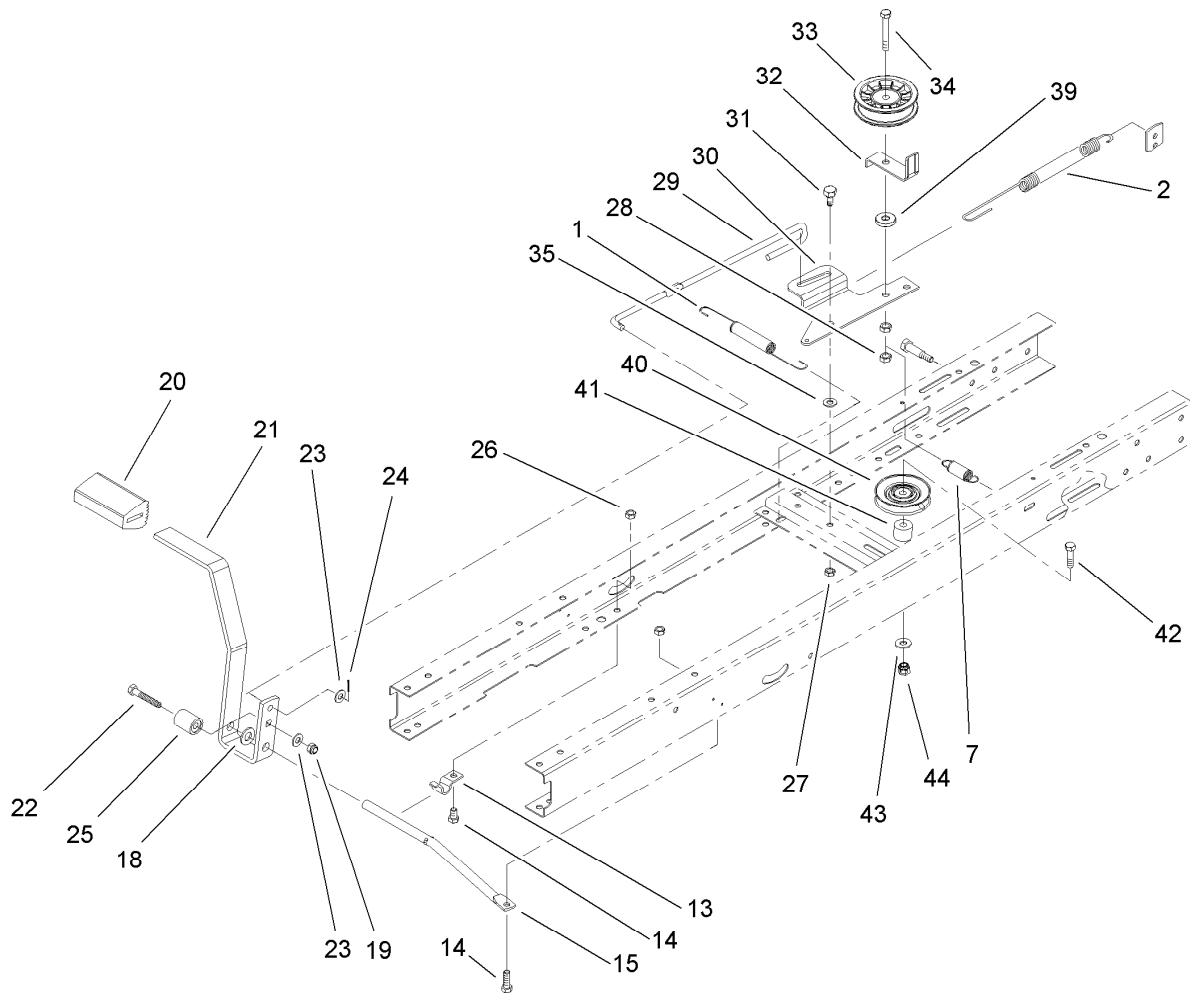


Engine Assembly

Ref.	Part Number	Qty.	Description	Ref.	Part Number	Qty.	Description
1	88-4340	1	Throttle Control ASM	24	93-3855	2	Guide-Belt, RH
1:1	66-0120	1	Knob	26	32149-1	2	Nut-Keps
2	27-0220	4	Screw-Special	28	94-1952	1	Rod-Tank, Gas
3	88-3880	1	Gas Tank ASM	29	3296-29	4	Nut-Lock, NI
3:1	46-6560	1	Bushing	30	88-4350	1	Throttle Cable ASM
3:2	104048	1	Valve-Fuel	31	88-3980	1	Gas Cap ASM
4	107-9297	1	Hose-Fuel	31:3	88-4010	1	Gasket-Cap, Gas
5	2412-98	2	Clamp-Hose	32		1	Engine-Briggs & Stratton, 31E777-0130-E1 ●■
6	322-9	3	Screw-HH	35	112-4775	1	Decal-Engine
7	322-3	2	Screw-HH	37	93-3809	1	Bracket-Ground
8	107-4914-03	1	Stop-Clutch	38	9266714	1	Screw-HWH
9	5-4460	2	Washer-Pivot	39	94-1951	1	Latch-Hood
10	107-4915	1	Pulley-Engine	40	32144-112	2	Screw-HWH
11	108-9510	1	Clutch-PTO, Electric	41	93-3882	1	Clip-Tinnerman
12	112843	1	Washer	42	114-3170-03	1	Exhaust Shield ASM
13	3212-18	1	Screw-HH	43	9266714	2	Screw-HWH
14	98-5023	1	Bumper	44	32104-76	2	Screw-Thd Cutting, HWH
15	114-3185	1	Muffler-Exhaust	45	93-8450-03	1	Heat Shield ASM
16	9267154	1	Screw-HWH, Taptite	46	322-3	1	Screw-HH
20	88-4410	1	Gasket-Exhaust	47	3253-4	1	Washer-Lock
21	3253-4	2	Washer-Lock	48	88-4490	1	Reducer-Throttle, Rpm
22	3274-10	2	Screw-HSH				
23	3255-8	1	Washer-Lock				

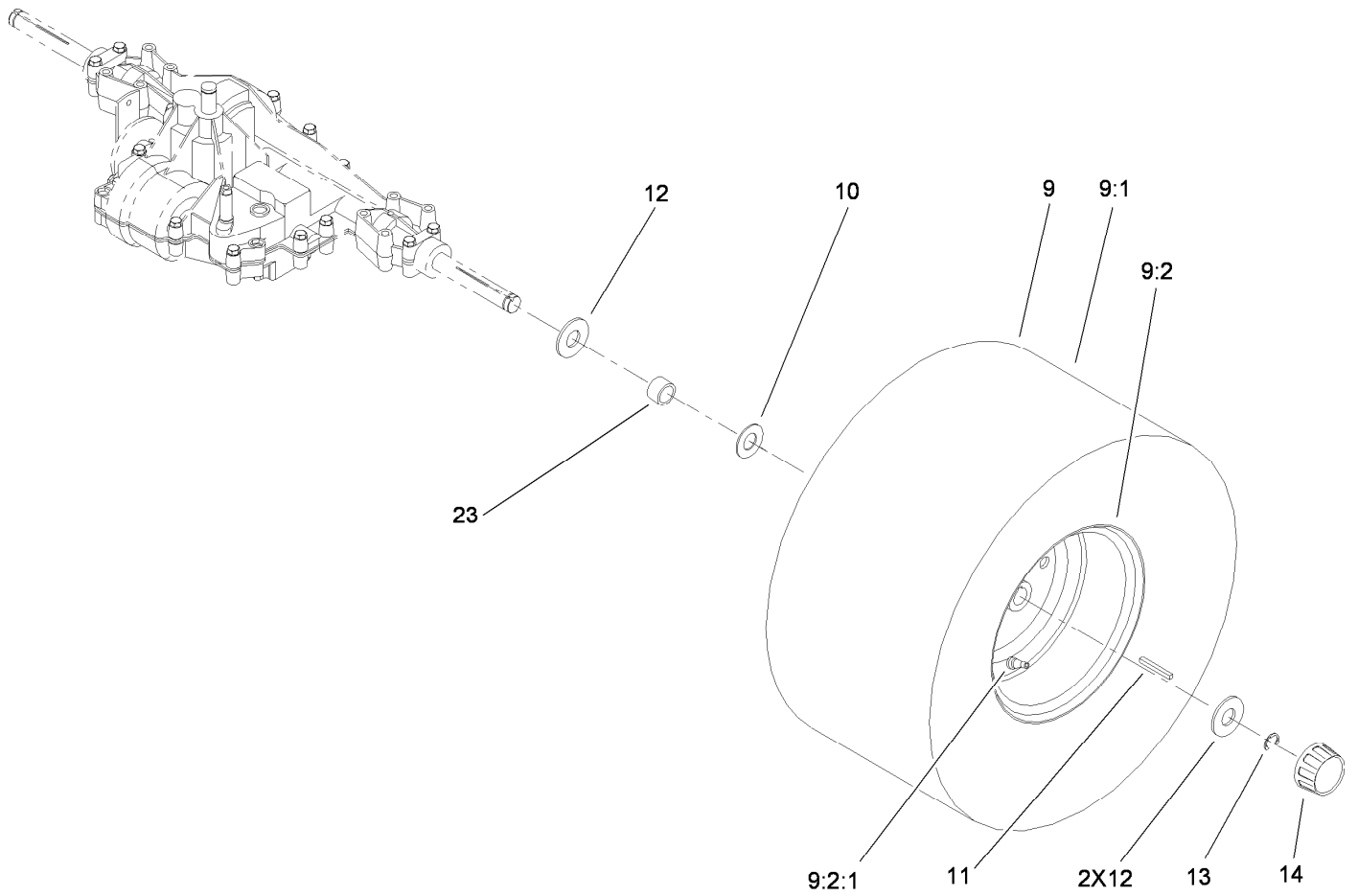
● Not serviced separately

■ Obtain parts from www.briggsandstratton.com



Traction Clutch Assembly

<i>Ref.</i>	<i>Part Number</i>	<i>Qty.</i>	<i>Description</i>	<i>Ref.</i>	<i>Part Number</i>	<i>Qty.</i>	<i>Description</i>
1	27-8890	1	Spring-Extension	27	3296-29	1	Nut-Lock, NI
2	100-7422	1	Spring-Extension	28	3296-59	2	Nut-Lock, NI
7	88-6330	1	Spring-Extension	29	88-5270	1	Rod-Clutch/Brake
13	88-4810	1	Clamp-Pivot, Shift	30	88-6070	1	Arm-Idler
14	322-3	2	Screw-HH	31	37-8770	1	Bolt-Shoulder
15	88-5500	1	Rod-Pivot, Pedal	32	88-5560	1	Guide-Idler, Belt
18	3256-26	1	Washer-Flat	33	104-4160	1	Pulley-Idler
19	3296-47	1	Nut-Lock, NI	34	323-11	1	Screw-HH
20	65-2920	1	Pad-Pedal	35	5-4460	1	Washer-Pivot
21	88-5000-03	1	Pedal-Clutch/Brake, Hydro	39	92-4890	1	Washer
22	322-9	1	Screw-HH	40	92-7102	1	Pulley-Idler
23	3256-23	2	Washer-Flat	41	92-5791	1	Spacer
24	3272-10	1	Pin-Cotter	42	323-10	1	Screw-HH
25	99-6836	1	Spacer	43	3256-3	1	Washer-Flat
26	3296-29	2	Nut-Lock, NI	44	3296-39	1	Nut-Lock, NI

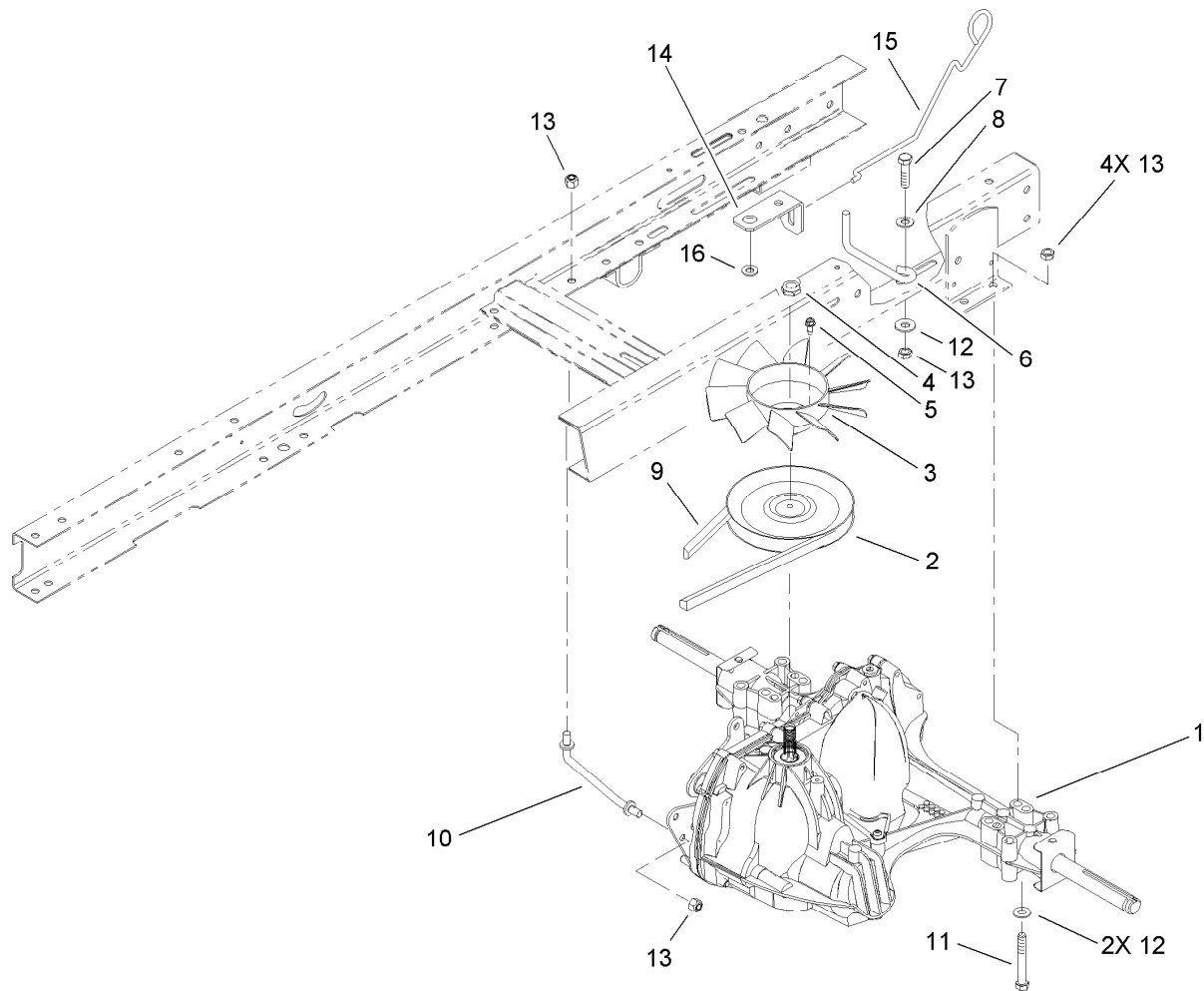


Rear Wheel and Tire Assembly

<i>Ref.</i>	<i>Part Number</i>	<i>Qty.</i>	<i>Description</i>
9		2	Rear Wheel & Tire ASM ■
9:1	99-2996	1	Tire
9:2	88-4390	1	Rim ASM
9:2:1	232-27	1	Stem-Valve
9:99	232-41	1	Tube ●
10	3-6498	2	Washer-Thrust
11	7-0036	2	Key-Square
12	28-2480	4	Washer-Plain
13	32151-48	2	E-Ring
14	61-9780	2	Cap-Hub
23	104-4161	2	Spacer-Wheel

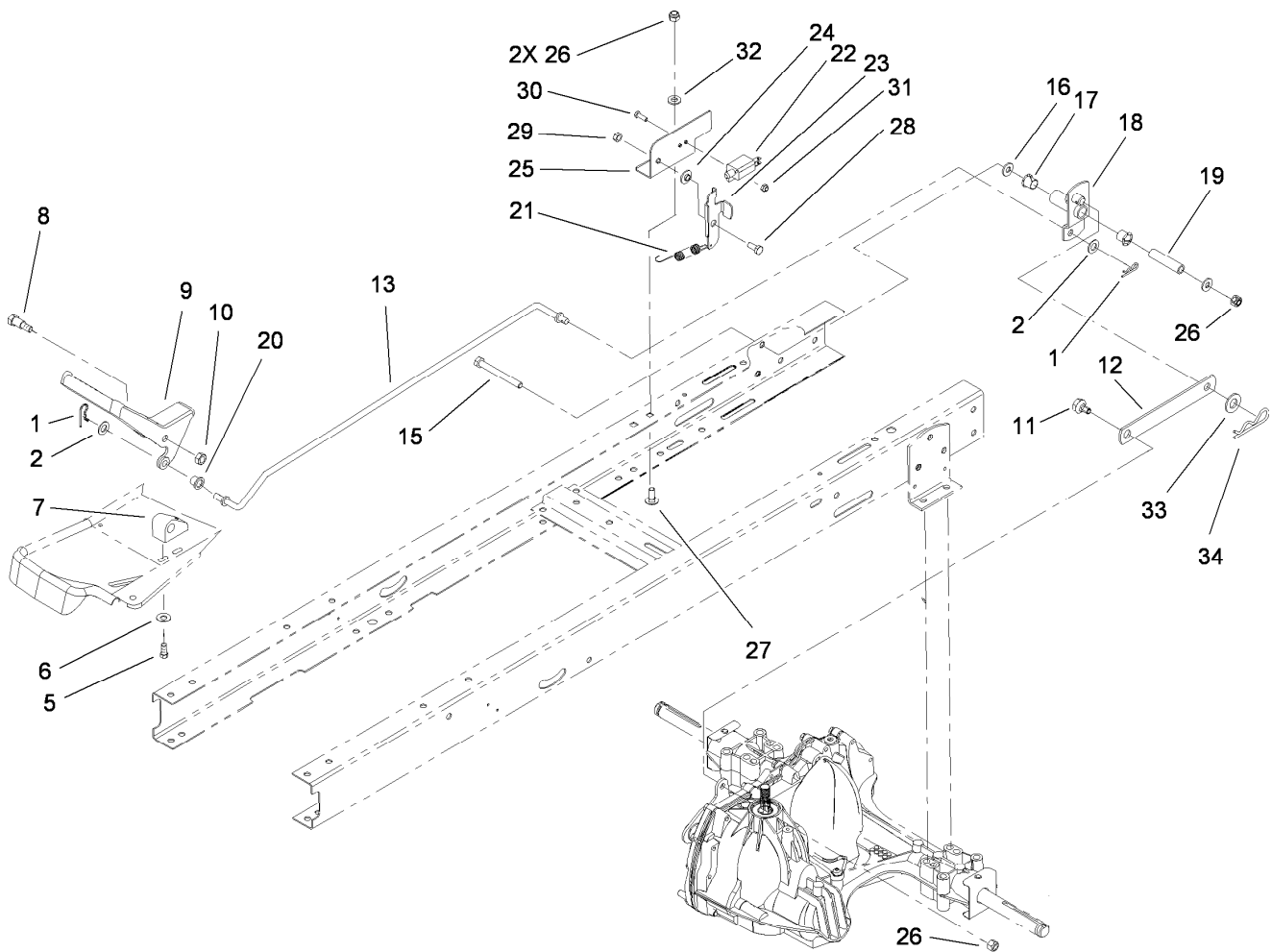
● Not illustrated

■ Not serviced separately



Hydro Transaxle Assembly

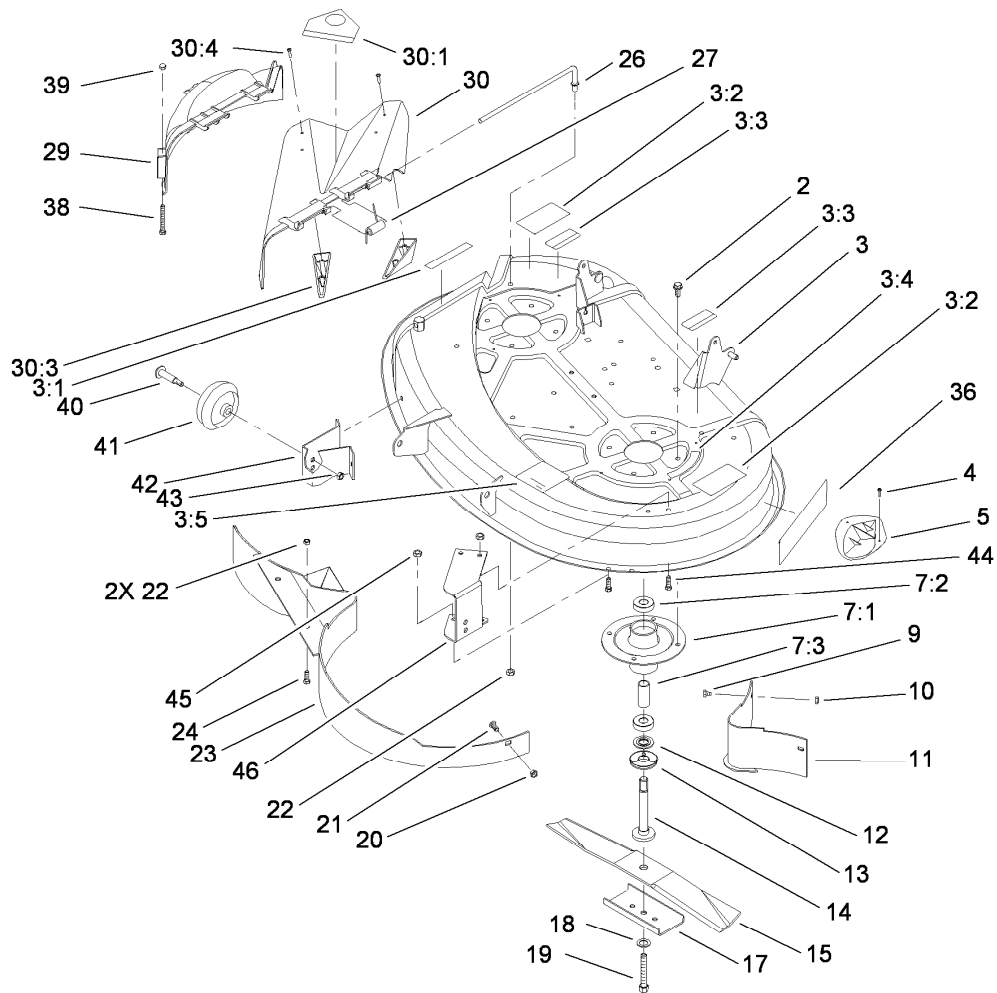
Ref.	Part Number	Qty.	Description
1	104-1760	1	Transaxle ASM
2	104-1754	1	Pulley
3	104-2162	1	Fan
4	3296-28	1	Nut-Lock, NI
5	9134304	3	Screw-HWH
6	107-4911	1	Guide-Belt
7	322-5	1	Screw-HH
8	5-4460	1	Washer-Pivot
9	88-6280	1	V-Belt
10	100-6225	1	Strap-Torque
11	322-13	4	Screw-HH
12	3256-23	3	Washer-Flat
13	3296-29	7	Nut-Lock, NI
14	100-7406	1	Bracket-Bypass
15	100-7407	1	Rod-Bypass
16	3256-3	1	Washer-Flat



Hydro Transaxle Control Assembly

<i>Ref.</i>	<i>Part Number</i>	<i>Qty.</i>	<i>Description</i>
1	3290-307	2	Pin-Hair
2	3256-38	2	Washer-Flat
5	46-8090	2	Screw-Plastite
6	3256-22	2	Washer-Flat
7	88-4690	1	Block-Pivot
8	23-0310	1	Screw-Shoulder, HH
9	99-6120-05	1	Pedal-Control, Speed
10	3296-59	1	Nut-Lock, NI
11	37-8770	1	Bolt-Shoulder
12	99-6833	1	Link-Control, Speed
13	99-6839	1	Rod-Control, Speed
15	322-14	1	Screw-HH
16	3256-2	2	Washer-Flat
17	256-257	2	Bushing-Nyliner
18	99-6835-03	1	Pivot ASM
19	99-6832	1	Spacer-Pivot

<i>Ref.</i>	<i>Part Number</i>	<i>Qty.</i>	<i>Description</i>
20	99-6121	1	Bushing-Flanged
21	99-6805	1	Spring-Extension
22	95-1653	1	Switch-Pole, Single
23	99-6807	1	Bracket-Pivot
24	99-6808	1	Washer-Stepped
25	99-6806	1	Bracket-Adjustment
26	3296-29	4	Nut-Lock, NI
27	3230-18	2	Screw-CARR
28	99-6810	1	Screw-HH
29	3296-42	1	Nut-Lock, NI
30	3290-392	2	Screw-SHH
31	3296-1	2	Nut-Lock
32	3256-23	2	Washer-Flat
33	3256-26	1	Washer-Flat
34	9335054	1	Pin-Hair

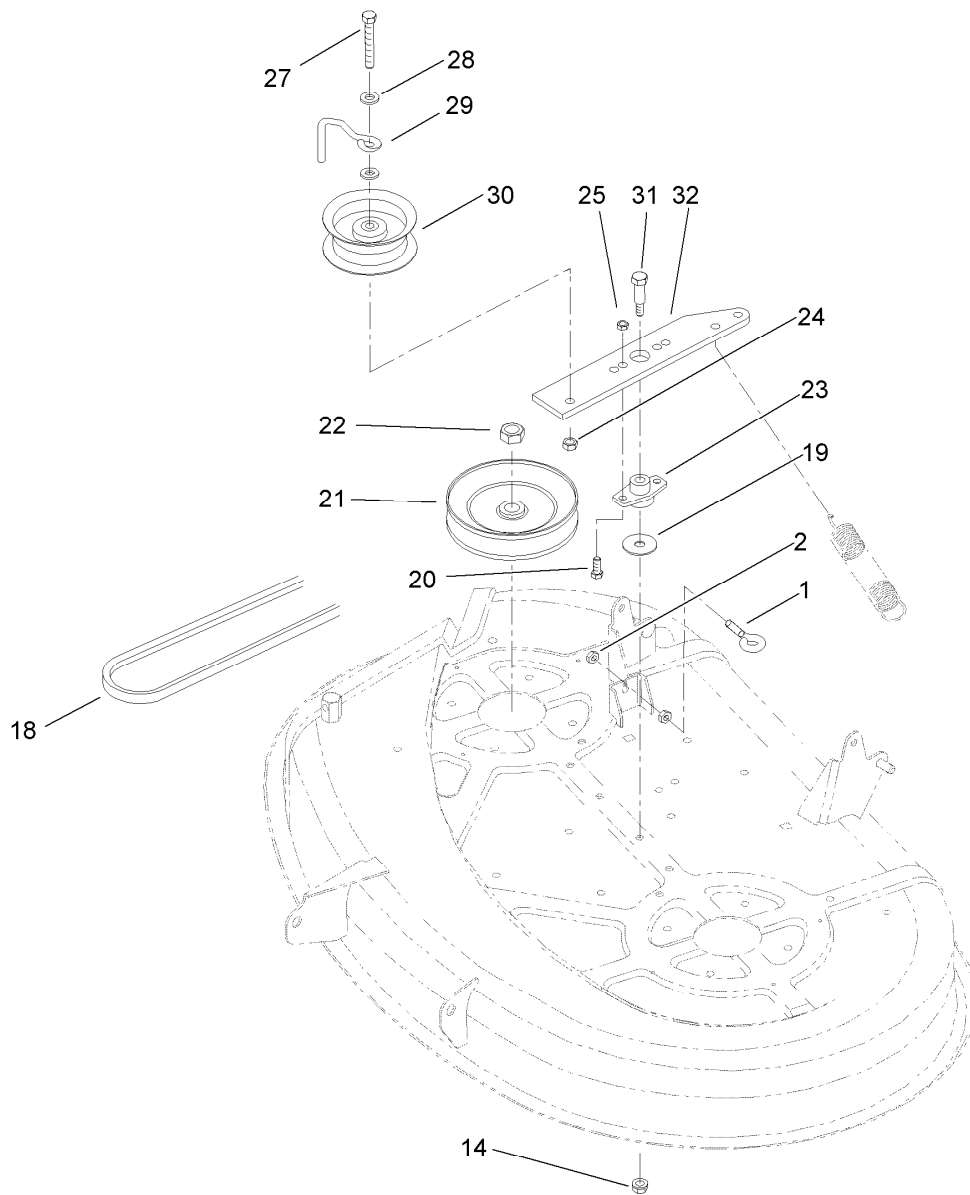


38 Inch Deck Assembly

Ref.	Part Number	Qty.	Description	Ref.	Part Number	Qty.	Description
2	32144-41	8	Screw-Taptite	20	3296-29	1	Nut-Lock, NI
3	99-5847	1	Deck ASM	21	3230-1	1	Bolt-CARR
3:1	93-7009	1	Decal-Danger, Deflector	22	3296-39	3	Nut-Lock, NI
3:2	93-7010	2	Decal-Danger	23	79-1600-03	1	Baffle ASM
3:3	93-6674	2	Decal-Warning	24	323-5	2	Screw-HH
3:4	93-6677	1	Decal-Danger, Shield	26	95-1661	1	Rod-Pivot
3:5	93-6679	1	Decal-Routing, Belt	27	57-6950	1	Spring
4	32144-111	8	Screw-PPH	29	88-4430	1	Cover-Recycler
5	76-2160	4	Plate-Kicker	30	93-7695	1	Deflector ASM
7		2	Spindle ASM ■●	30:1	93-7317	1	Decal-Danger
7:1	88-4510	1	Housing-Spindle	30:3	93-7696	2	Kicker
7:2	100-1048	2	Bearing-Ball	30:4	93-0231	4	Screw-PPH
7:3	62-3661	1	Spacer	36	106-6407	1	Decal
9	321-4	2	Screw-HH	38	321-14	2	Screw-HH
10	3296-42	2	Nut-Lock, NI	39	32111-7	2	Nut-Cap
11	79-1640-03	1	Baffle ASM	40	56-6591	2	Screw-Shoulder, HWH
12	80-4380	2	Spacer	41	701756	2	Wheel-Gage
13	80-4360	2	Shield-Bearing	42	88-5740-03	1	Bracket-Wheel, RH
14	80-4341	2	Shaft-Spindle	43	3296-39	2	Nut-Lock, NI
15	14-7799	1	Blade Kit	44	322-3	6	Screw-HH
17	80-0510-03	2	Stiffener-Blade	45	3296-29	6	Nut-Lock, NI
18	3290-465	2	Washer-Belleville	46	93-3896-03	1	Bracket-Wheel, LH
19	26-0671	2	Screw-HH				

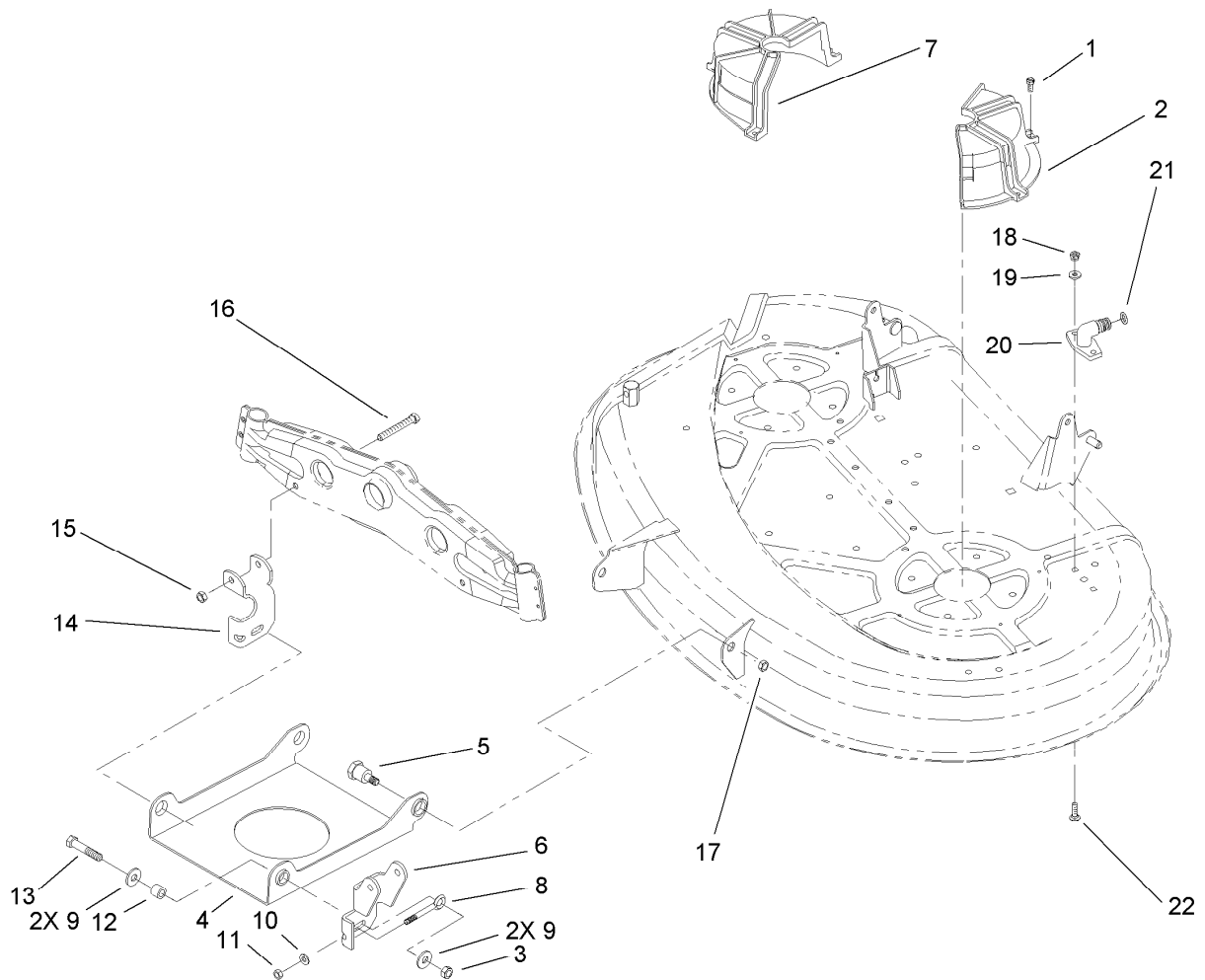
● Not illustrated

■ Not serviced separately



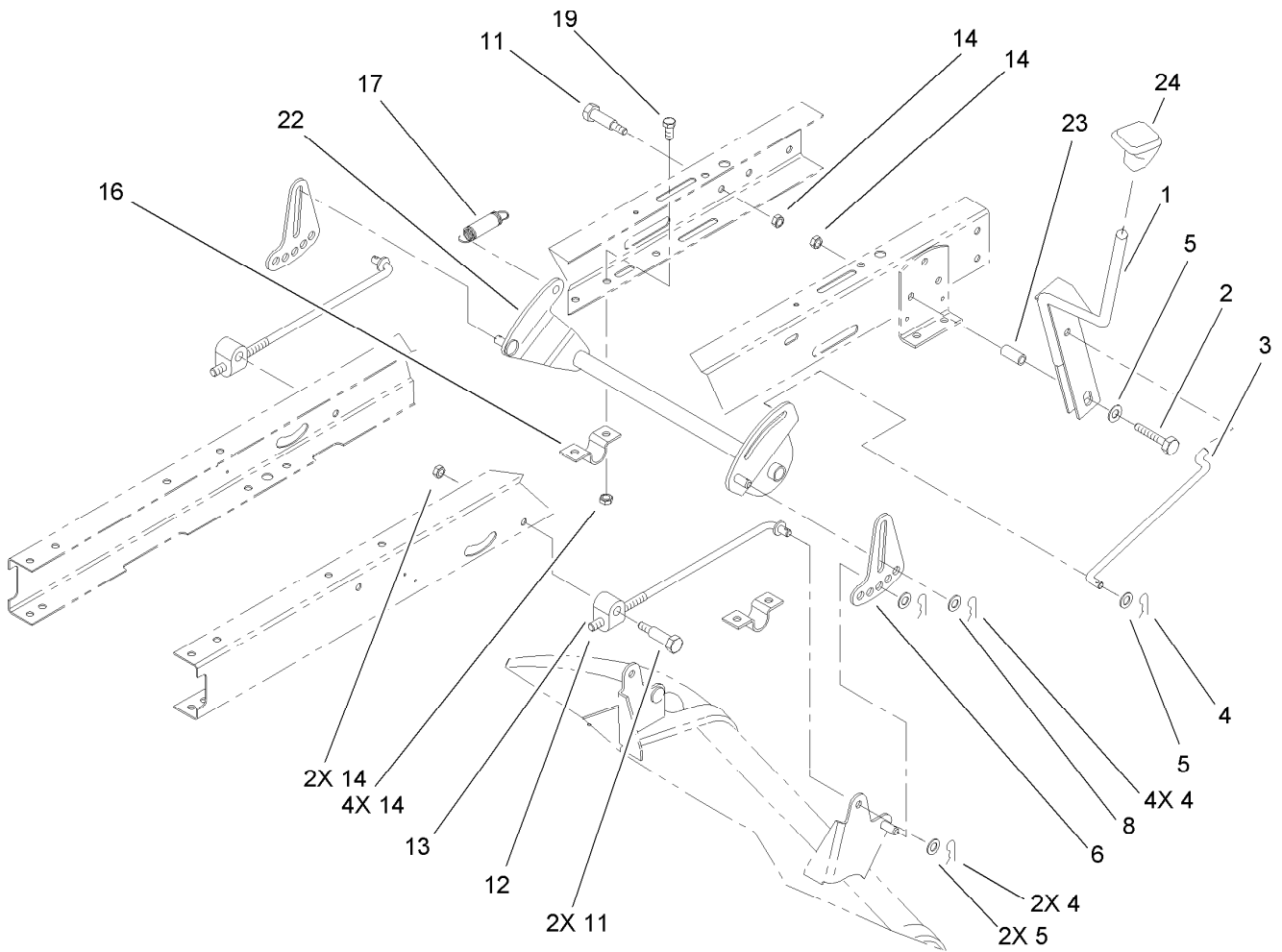
38in Deck Blade Drive Assembly

<i>Ref.</i>	<i>Part Number</i>	<i>Qty.</i>	<i>Description</i>	<i>Ref.</i>	<i>Part Number</i>	<i>Qty.</i>	<i>Description</i>
1	85-9910	1	Eyebolt	24	3296-39	1	Nut-Lock, NI
2	3218-2	2	Nut-Jam	25	3296-29	2	Nut-Lock, NI
14	3296-58	1	Nut-Lock, NI	27	323-12	1	Screw-HH
18	88-6250	1	Belt-V	28	3256-24	2	Washer-Flat
19	3256-68	1	Washer-Flat	29	107-7307	1	Guide-Idler, Belt
20	322-5	2	Screw-HH	30	88-5630	1	Pulley-Idler, Flat
21	88-5330	2	Pulley ASM	31	7-0030	1	Screw-Shoulder, HH
22	3219-6	2	Nut-Hex	32	88-4870-03	1	Arm-Idler
23	88-4980	1	Bushing-Arm, Idler				



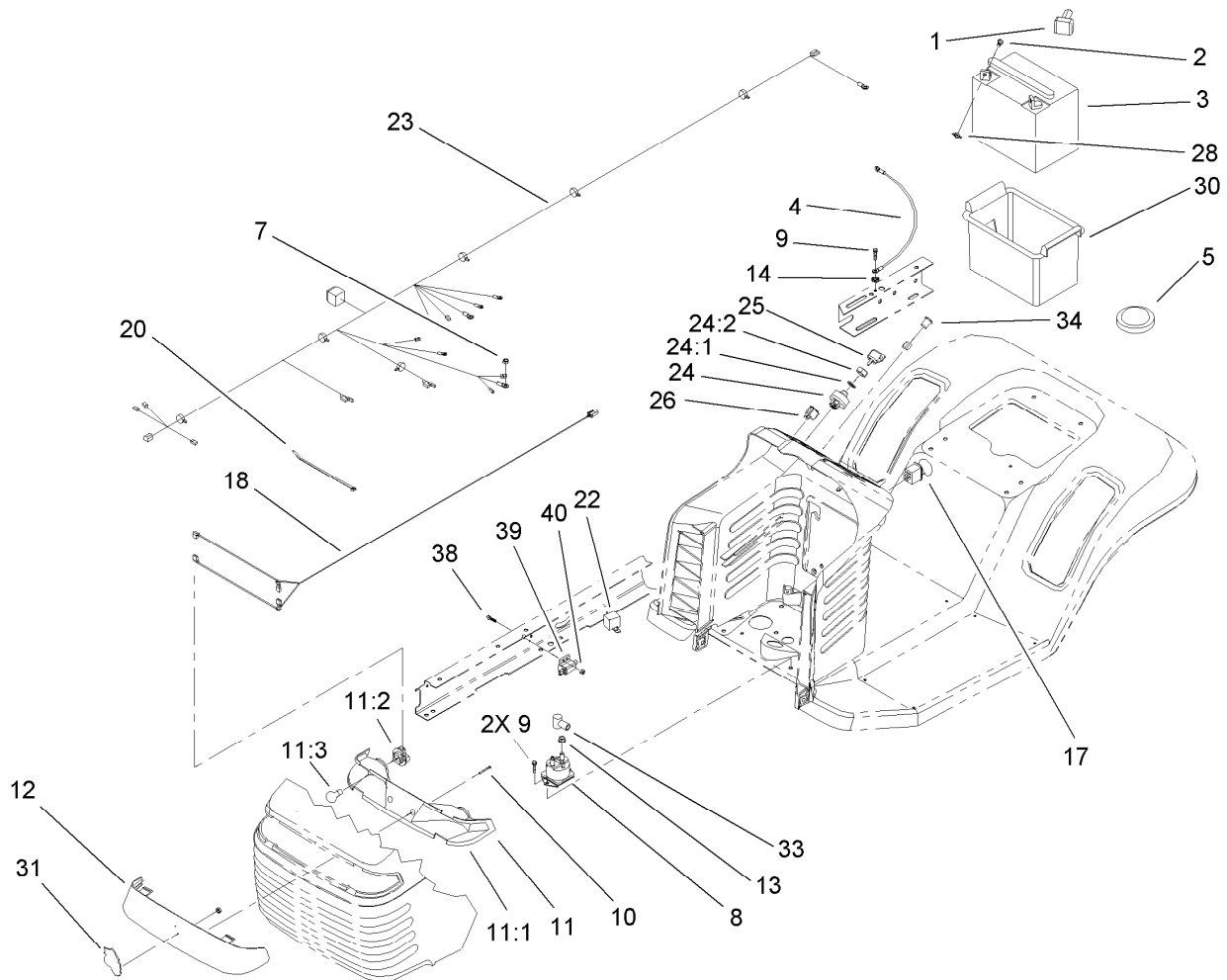
38 Inch Deck Engagement Assembly

Ref.	Part Number	Qty.	Description
1	32104-76	5	Screw-Thd Cutting,HWH
2	88-4030	1	Guide-Belt, LH
3	3296-39	2	Nut-Lock, NI
4	93-3881-03	1	Pan-Deck Suspension, Front
5	94-5823	2	Bolt-Shoulder, HH
6	94-1971-03	1	Bracket-Suspension, LH
7	88-4020	1	Guide-Belt, RH
8	61-9980	2	Screw-Adjusting
9	80-6990	4	Washer-Hardened
10	3256-22	2	Washer-Flat
11	3296-42	2	Nut-Lock, NI
12	93-9847	2	Spacer
13	323-9	2	Screw-HH
14	94-1970-03	1	Bracket-Suspension, RH
15	3296-29	2	Nut-Lock, NI
16	322-12	2	Screw-HH
17	3296-23	2	Nut-Lock, NI
18	3296-16	2	Nut-Lock, NI
19	3256-1	2	Washer-Flat
20	95-2747	1	Fitting-Washout
21	46-6290	1	O-Ring, Seal
22	3229-1	2	Bolt-CARR



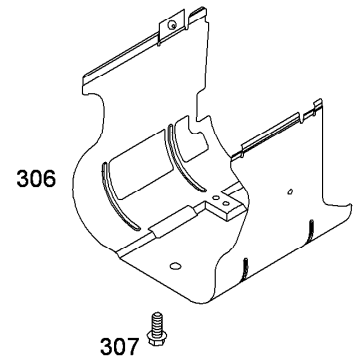
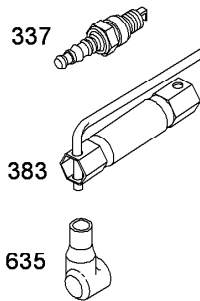
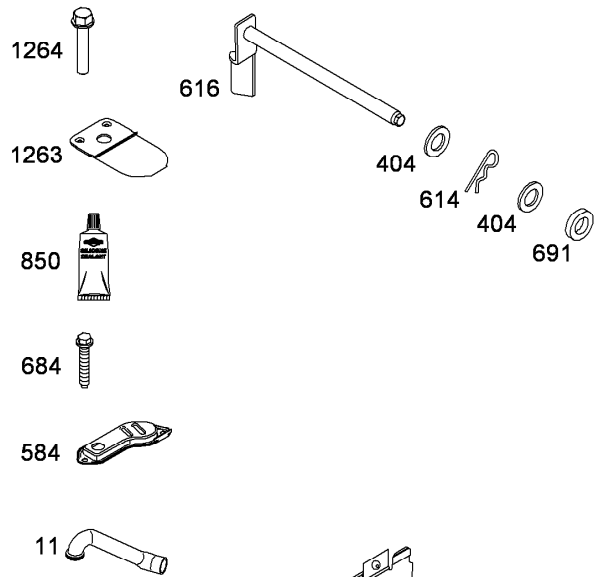
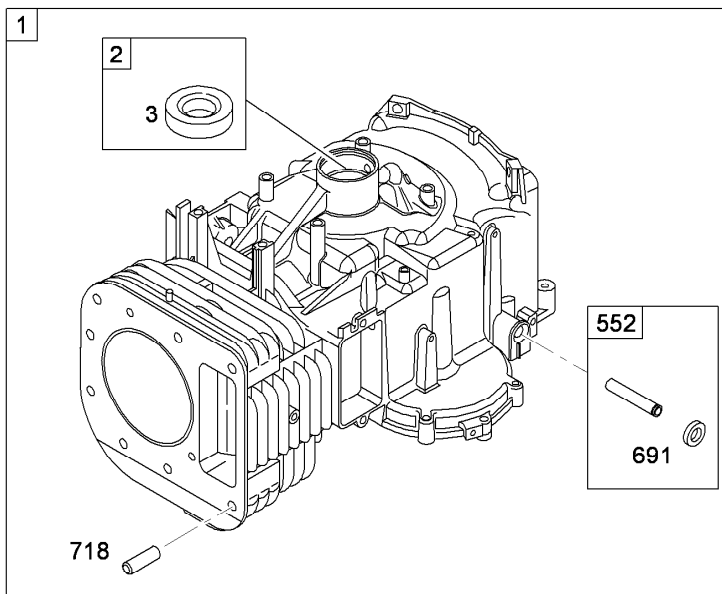
Height-of-Cut Assembly

Ref.	Part Number	Qty.	Description
1	93-3822-03	1	HOC Lever ASM
2	322-32	1	Screw-HH
3	88-5900	1	Link-HOC
4	3290-307	7	Pin-Hair
5	3256-24	4	Washer-Flat
6	88-5570-03	2	Link-Adjusting, HOC
8	80-6990	4	Washer-Hardened
11	7-0030	3	Screw-Shoulder, HH
12	88-5450	2	Rod-Hanger, Rear
13	88-4230	2	Trunnion-HOC
14	3296-29	8	Nut-Lock, NI
16	88-4730	2	Clamp-Pivot, HOC
17	88-6460	1	Spring-Extension
19	322-3	4	Screw-HH
22	88-5110-03	1	Pivot ASM
23	65-7210	1	Spacer
24	94-5565	1	Knob-Shift



Electrical Assembly

Ref.	Part Number	Qty.	Description	Ref.	Part Number	Qty.	Description
1	28-8080	1	Boot-Terminal	18	99-1935	1	Harness-Headlight
2	321-4	2	Screw-HH	20	614249	1	Tie-Cable
3	104-1755	1	Battery-155 Cca	22	98-7249	1	Relay
4	44-8110	1	Wire ASM	23	107-4912	1	Harness-Wire
5	100-3524	1	Switch-Seat	24	88-9830	1	Key Switch ASM
7	32149-2	1	Nut-Keps	24:1	3254-5	1	Washer-Tooth, Internal
8	106-8245	1	Solenoid-Starter	24:2	218-461	1	Nut-HH
9	9266714	3	Screw-HWH	25	63-8360	1	Key-Ignition (W/Shield)
10	32144-32	2	Screw	26	92-8875	1	Switch-Rocker
11	88-3970	1	Headlight Reflector ASM	28	32103-22	2	Nut-Wing
11:1	93-8741	1	Reflector-Light	30	88-4040	1	Box-Battery
11:2	116262	2	Socket-Headlight	31	95-4248	1	Emblem
11:3	7228	2	Bulb	33	93-3190	1	Boot-Insulator, Terminal
12	88-3960	1	Lens-Headlight	34	95-7652	1	Light-Indicator
13	32149-2	2	Nut-Keps	38	3274-14	2	Screw-HSH
14	3255-7	2	Washer-Lock/EXT	39	65-7410	1	Switch-Pole, Single
17	93-9998	1	Switch-PTO	40	3296-2	2	Nut-Lock, NI



1058 Operator Manual

Assemblies include all parts shown in frames

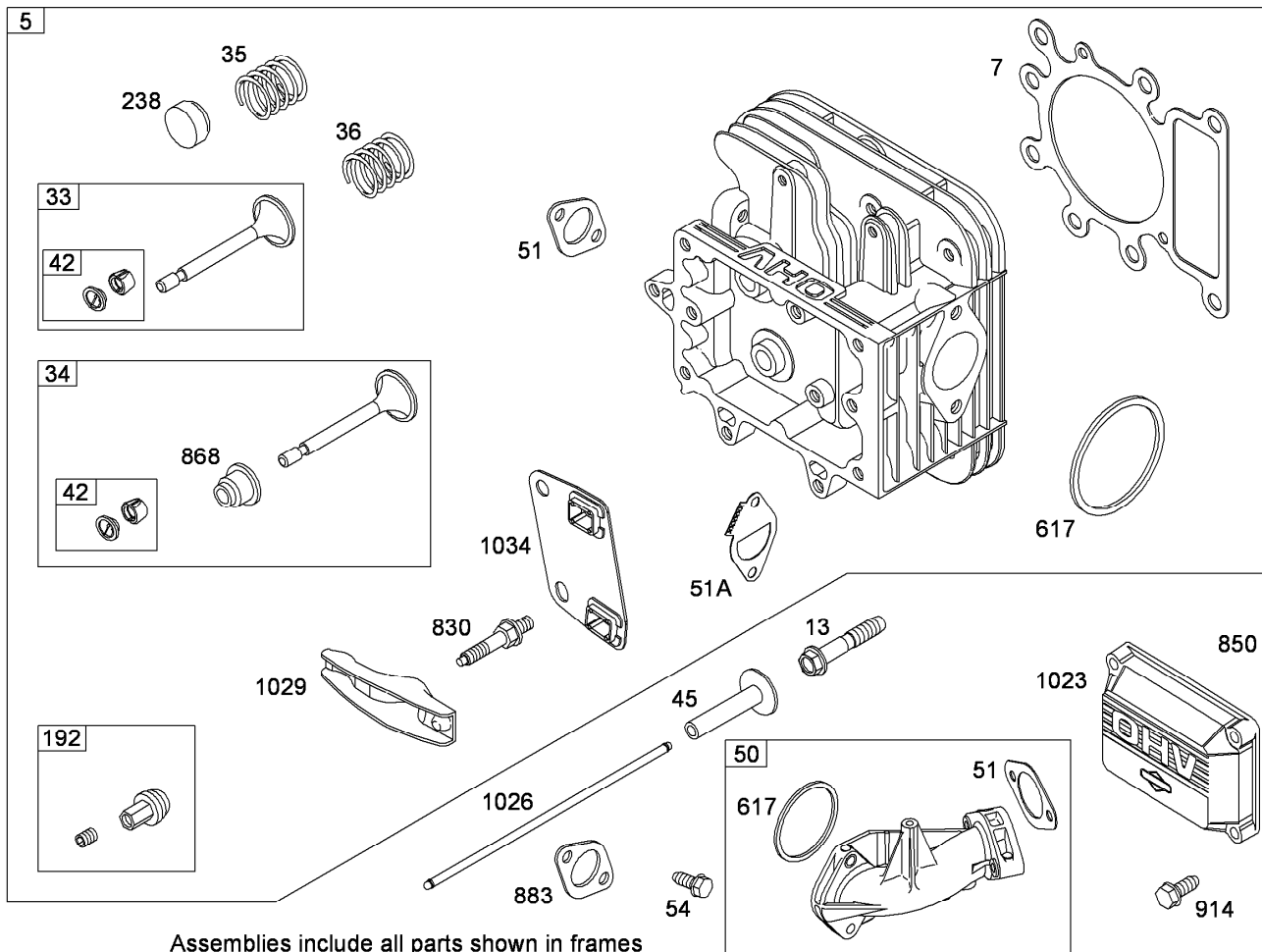
Cylinder Assembly Briggs and Stratton Model 31E777-0130-E1

Ref.	Part Number	Qty.	Description
1	793987	1	Cylinder Asm ■
2	399265	1	Bushing And Seal Kit (Magneto Side) ■
3	391086s	1	Seal-Oil (Magneto Side) ■▲
11	794683	1	Tube-Breather ■
48	697762	1	Short Block ASM ■●
306	697107	1	Shield-Cylinder ■
307	691003	1	Screw (Cylinder Shield) ■
337	691043	1	Spark Plug ■
383	89838s	1	Wrench-Spark Plug ■
404	691691	1	Washer (Governor Crank) ■
552	697144	1	Bushing-Crank, Governor ■
584	794682	1	Cover-Passage, Breather ■
614	691620	1	Pin-Cotter ■
616	692012	1	Crank-Governor ■
635	691909	1	Boot-Spark Plug ■
684	697157	1	Screw (Breather Passage Cover) ■
691	692407	1	Seal-Shaft, Governor ■▲
718	690959	1	Pin-Locating ■
850	100100	1	Sealant-Liquid ■
1058	MS3788	1	Manual-Operator ■
1263	697124	1	Reed-Breather ■
1264	697104	1	Screw (Breather Reed) ■

● Not illustrated

▲ Included in Engine Gasket Set (Ref. No. 358)

■ Obtain parts from www.briggsandstratton.com



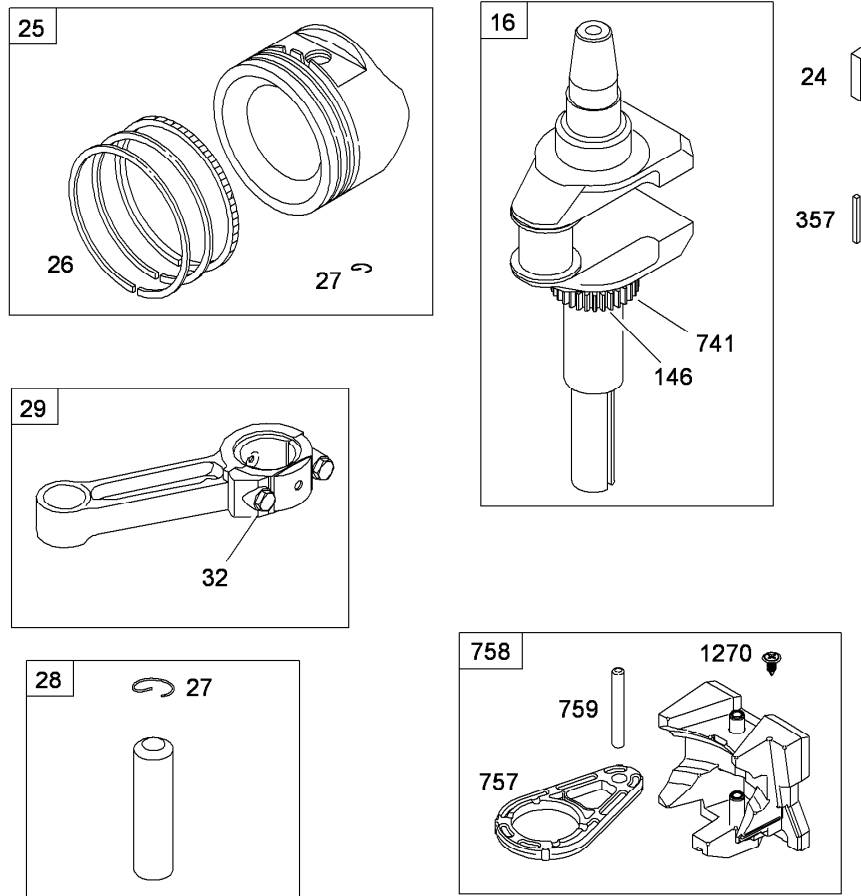
Assemblies include all parts shown in frames

Cylinder Head Assembly Briggs and Stratton Model 31E777-0130-E1

Ref.	Part Number	Qty.	Description	Ref.	Part Number	Qty.	Description
5	793989	1	Head-Cylinder ●	192	691986	1	Adjustor-Arm, Rocker ●
7	699168	1	Gasket-Head, Cylinder ●■	238	691843	1	Cap-Valve ●
13	793988	1	Screw (Cylinder Head Gasket) ●	617	692138	1	Seal-O Ring (Intake Manifold) ●◆■
33	791934	1	Valve-Exhaust ●	830	691095	1	Stud-Arm, Rocker ●
34	791935	1	Valve-Intake ●	850	100100	1	Sealant-Liquid ●
35	691279	1	Spring-Valve (Intake) ●	868	690968	1	Seal-Valve ●■▲
36	691279	1	Spring-Valve (Exhaust) ●	883	692236	1	Gasket-Exhaust ●
42	499586	1	Keeper-Valve ●	914	691108	1	Screw (Rocker Cover) ●
45	690564	1	Tappet-Valve ●	1023	791079	1	Cover-Rocker ●
50	690193	1	Manifold-Intake ●	1026	692003	1	Rod-Push (Intake) ●
51	692137	1	Gasket-Intake ●◆■▲	1026	692011	1	Rod-Push (Exhaust) ●
51A	794312	1	Gasket-Intake ●■	1029	691751	1	Arm-Rocker ●
54	691148	1	Screw (Intake Manifold) ●	1034	690822	1	Guide-Rod, Push ●

● Obtain parts from www.briggsandstratton.com
▲ Included in Valve Gasket Set (Ref. No. 1095)

■ Included in Engine Gasket Set (Ref. No. 358)
◆ Included in Carburetor Overhaul Kit (Ref. No. 121)

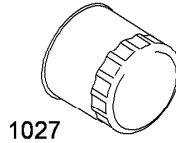
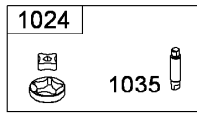
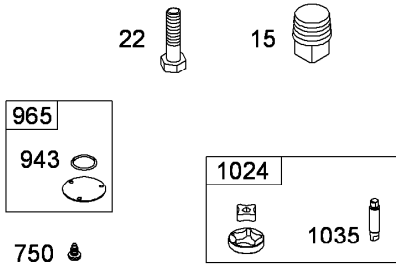
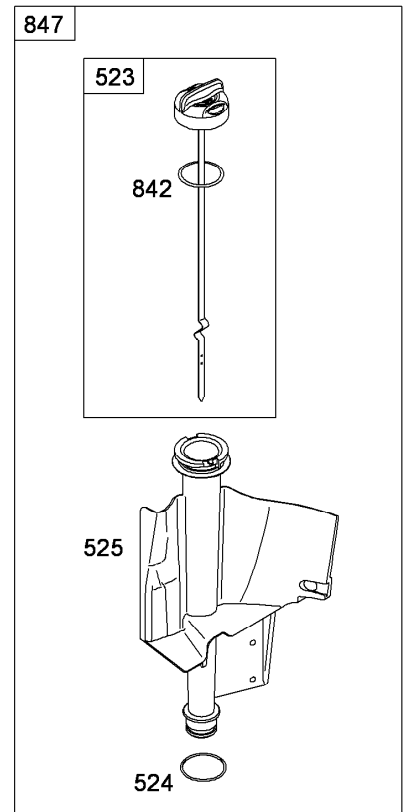
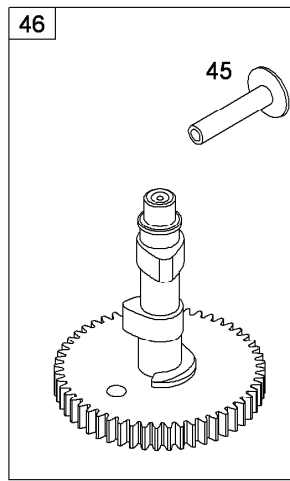
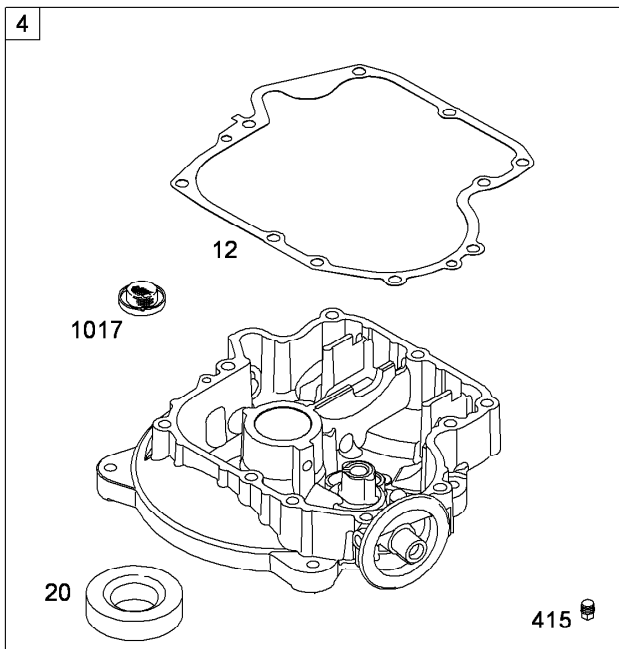


Assemblies include all parts shown in frames

Crankshaft Assembly Briggs and Stratton Model 31E777-0130-E1

Ref.	Part Number	Qty.	Description
16	697127	1	Crankshaft ●
24	222698s	1	Key-Flywheel ●
25	792507	1	Piston Asm (Standard) ●
25	792648	1	Piston ASM (.020 Oversize) ●
26	791631	1	Ring Set (Standard) ●
26	792649	1	Ring Set (.020 Oversize) ●
27	698469	1	Lock-Pin, Piston ●
28	697099	1	Pin-Piston (Standard) ●
29	794122	1	Rod-Connecting (Standard) ●
32	791118	1	Screw (Connecting Rod) ●
146	691639	1	Key-Timing ●
357	691483	1	Key pulley , Drive ●
741	697128	1	Gear-Timing ●
757	793242	1	Link-Counterweight ●
758	697134	1	Counterweight ●
759	697392	1	Pin-Counterweight ●
1270	793243	1	Plug-Counterweight, A V S ●

● Obtain parts from www.briggsandstratton.com



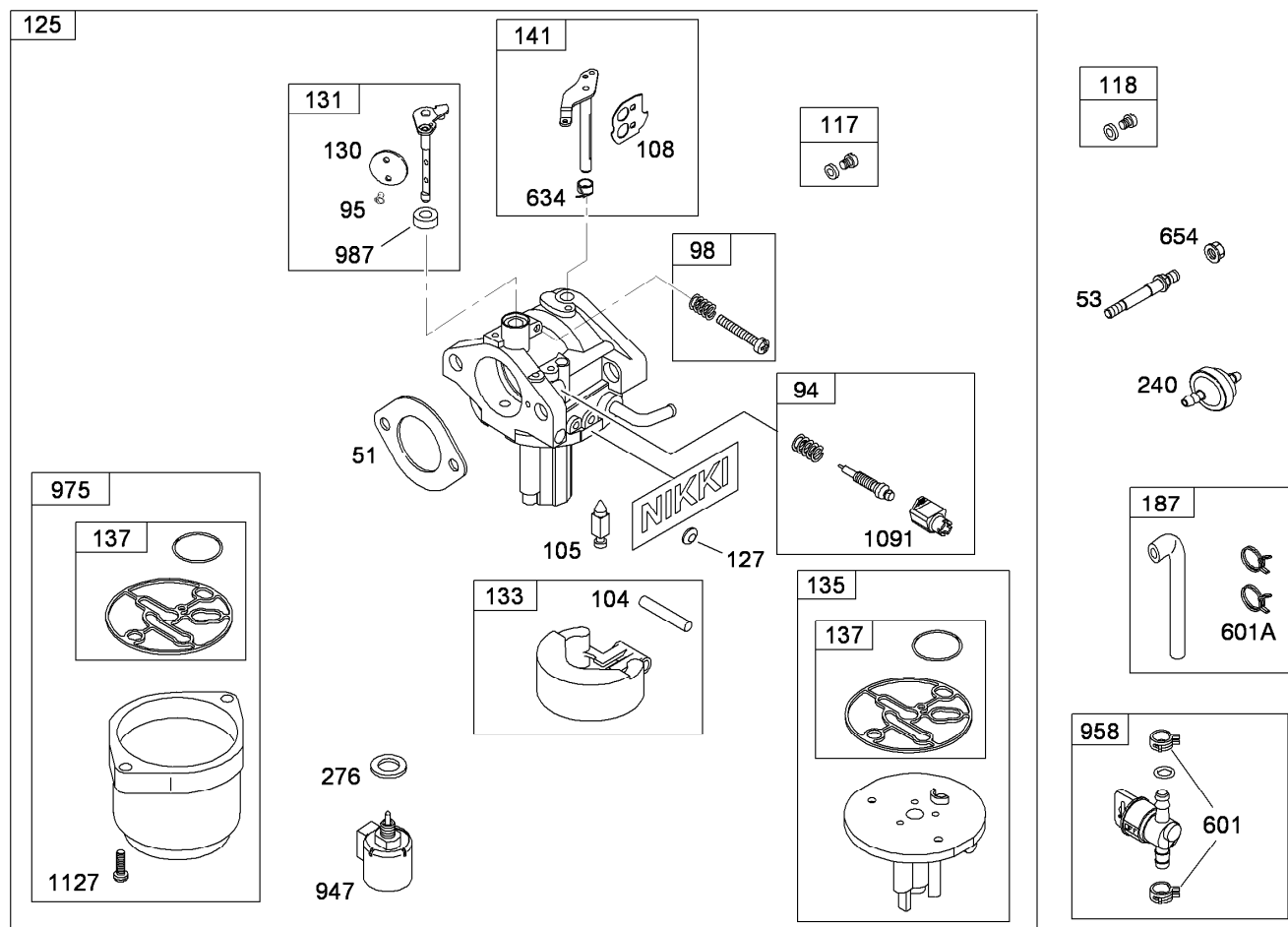
Assemblies include all parts shown in frames

Crankcase Assembly Briggs and Stratton Model 31E777-0130-E1

Ref.	Part Number	Qty.	Description
4	697188	1	Sump-Engine ●
12	697110	1	Gasket-Crankcase ●■
15	690946	1	Plug-Drain, Oil ●
20	791892	1	Seal-Oil (PTO Side) ●■
22	692125	1	Screw (Engine Sump) ●
43	691968	1	Slinger-Governor, Oil ●
45	690564	1	Tappet-Valve ●
46	793583	1	Camshaft ●
415	690283	1	Plug-Oil ●
523	699908	1	Dipstick ●
524	691032	1	Seal-O Ring (Dipstick Tube) ●■
525	697184	1	Tube-Dipstick ●
750	790832	1	Screw (Oil Pump Cover) ●
842	691031	1	Seal-O Ring (Dipstick) ●■
847	790442	1	Dipstick And Tube ASM ●
943	690589	1	Seal-Oil (Oil Pump Cover) ●■
965	499613	1	Cover-Pump, Oil ●
1017	690770	1	Screen-Pump, Oil ●
1024	499054	1	Pump-Oil ●
1027	492932s	1	Filter-Oil ●
1035	693784	1	Shaft-Pump, Oil ●

● Obtain parts from www.briggsandstratton.com

■ Included in Engine Gasket Set (Ref. No. 358)



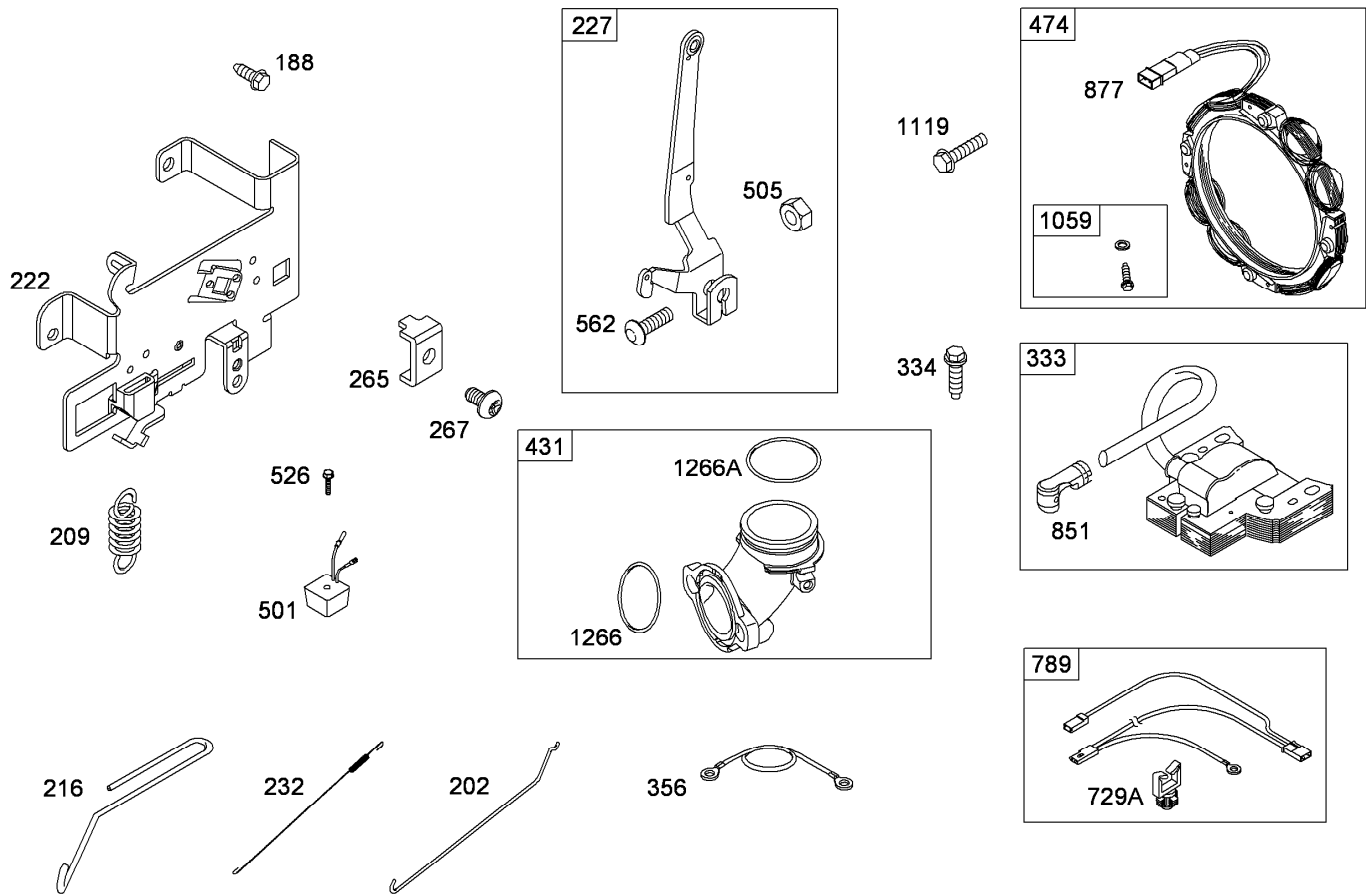
Assemblies include all parts shown in frames

Carburetor Assembly (Nikki) Briggs and Stratton Model 31E777-0130-E1

Ref.	Part Number	Qty.	Description	Ref.	Part Number	Qty.	Description
51	692137	1	Gasket-Intake ●□◆▲	137	698780	1	Fuel Transfer Tube Asm ●□
53	690227	1	Stud (Carburetor) ●	141	698778	1	Choke Shaft Kit ●
94	695425	1	Idle Mixture Kit ●	187	791805	1	Line-Fuel (Cut To Required Length) ●
95	690718	1	Screw (Throttle Valve) ●□	240	394358s	1	Filter-Fuel ●
98	695408	1	Idle Speed Kit ●	276	695410	1	Washer-Sealing ●
104	694918	1	Pin-Hinge, Float ●□	601	691038	1	Clamp-Hose ●
105	696136	1	Valve-Float, Needle ●□	601A	791850	1	Clamp-Hose ●
108	695419	1	Valve-Choke ●	634	698779	1	Spring And Seal Asm ●□
117	699732	1	Jet-Main (Standard) ●	654	690958	1	Nut (Carburetor) ●
118	792358	1	Jet-Main (High Altitude) ●	947	699915	1	Solenoid, Fuel ●
125	792171	1	Carburetor ●	958	698183	1	Valve shut Off, Fuel ●
127	690727	1	Plug-Welch ●□	975	699502	1	Bowl-Float ●
130	699500	1	Valve-Throttle ●	987	698777	1	Seal-Shaft, Throttle ●□
131	699501	1	Throttle Shaft Kit ●	1091	691333	1	Cap-Limiter ●
133	694914	1	Carburetor Float ASM ●	1127	695407	1	Screw (Float Bowl) ●
135	792022	1	Tube-Transfer, Fuel ●				

● Obtain parts from www.briggsandstratton.com
▲ Included in Valve Gasket Set (Ref. No. 1095)
□ Included in Carburetor Overhaul Kit (Ref. No. 121)

■ Included in Engine Gasket Set (Ref. No. 358)
◆ Included in Carburetor Gasket Set (Ref. No. 977)



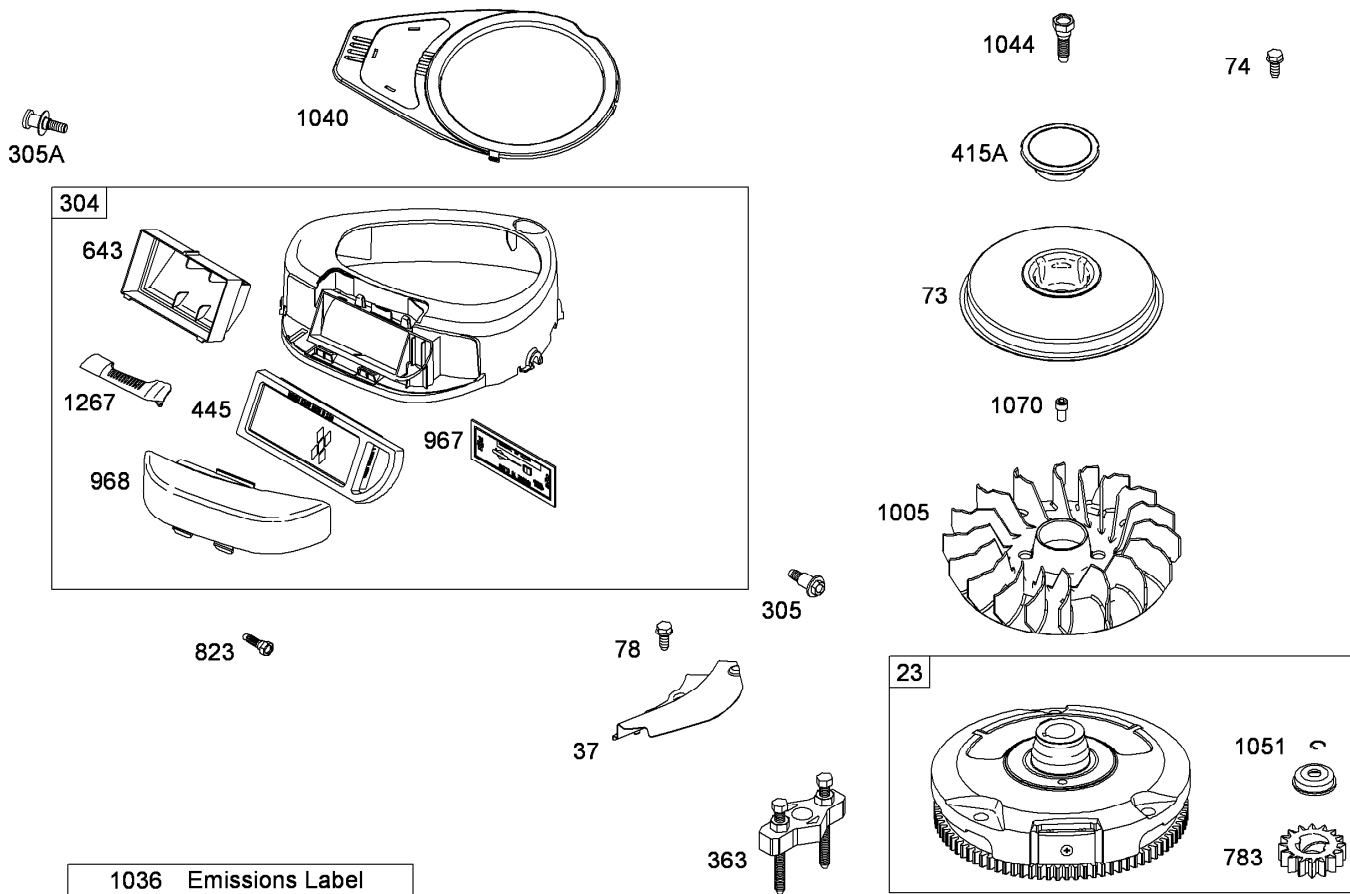
Assemblies include all parts shown in frames

Governor Assembly Briggs and Stratton Model 31E777-0130-E1

Ref.	Part Number	Qty.	Description	Ref.	Part Number	Qty.	Description
188	691693	1	Screw (Control Bracket) ●	501	691188	1	Regulator ●
202	691841	1	Link-Governor, Mechanical ●	505	691251	1	Nut (Governor Control Lever) ●
209	692208	1	Spring-Governor ●	526	697088	1	Screw (Regulator) ●
216	691840	1	Link-Choke ●	562	691119	1	Bolt (Governor Control Lever) ●
222	694042	1	Bracket-Control ●	729A	691335	1	Clip wire ●
227	691374	1	Lever-Control, Governor ●	789	692037	1	Wiring-Harness ●
232	691842	1	Spring-Link, Governor ●	851	493880s	1	Terminal-Spark Plug ●
265	691024	1	Clamp-Casing ●	877	393537	1	Connector-Wire, Tri Circuit ●
267	794904	1	Screw (Casing Clamp) ●	1059	698516	1	Screw And Washer Kit ●
333	492341	1	Armature-Magneto ●	1119	691183	1	Screw (Alternator) ●
334	691061	1	Screw (Magneto Armature) ●	1266	691917	1	Seal-O Ring (Intake Elbow) ●▲■
356	697089	1	Stop-Wire ●	1266A	697123	1	Seal-O Ring ●▲■●▲■
431	697122	1	Elbow-Intake ●				
474	696457	1	Alternator ●				

● Obtain parts from www.briggsandstratton.com
▲ Included in Carburetor Overhaul Kit (Ref. No. 121)

■ Included in Engine Gasket Set (Ref. No. 358)

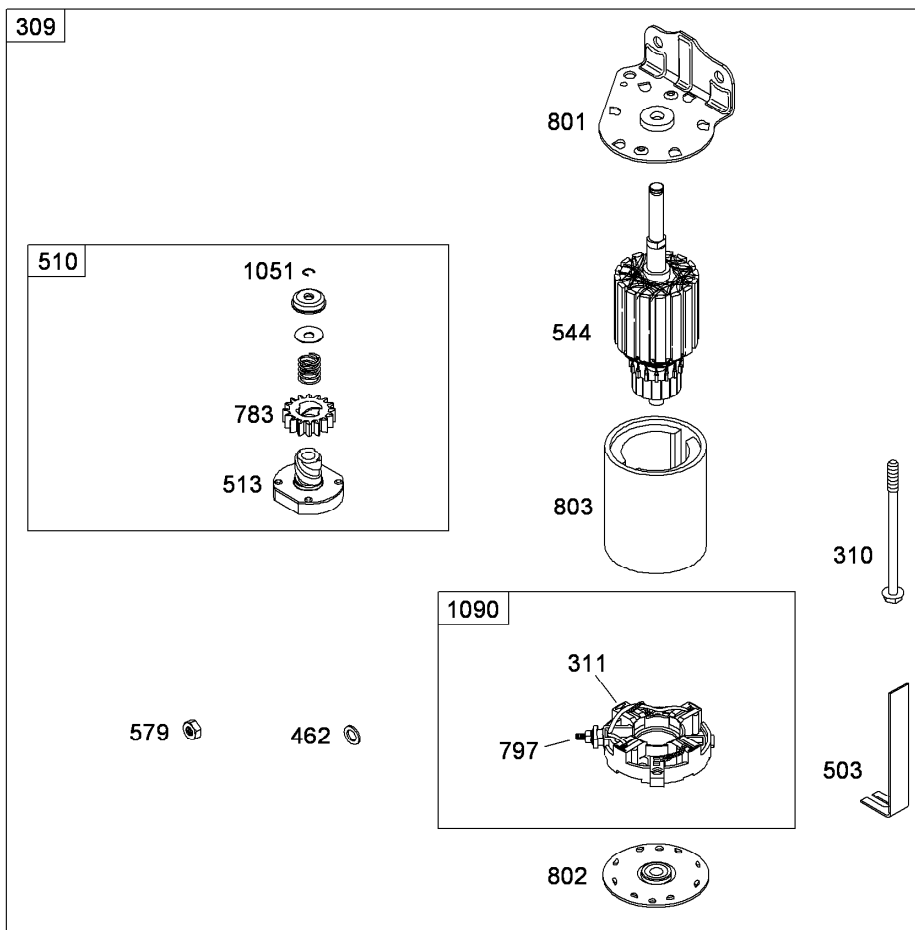


Assemblies include all parts shown in frames

Blower Housing Assembly Briggs and Stratton Model 31E777-0130-E1

Ref.	Part Number	Qty.	Description
23	693556	1	Flywheel ●
37	697352	1	Guard-Flywheel ●
73	794437	1	Screen-Rotating ●
74	697897	1	Screw (Rotating Screen) ●
78	691003	1	Screw (Flywheel Guard) ●
304	698599	1	Housing-Blower ●
305	697102	1	Screw (Blower Housing) ●
305A	793376	1	Screw (Blower Housing) ●
363	19203	1	Puller-Flywheel ●
415A	794129	1	Plug ●
445	698083	1	Filter-Cartridge, Air Cleaner ●
643	698401	1	Retainer-Filter, Air ●
783	693713	1	Gear-Pinion ●
823	698941	1	Screw (Muffler Adapter) ●
967	697015	1	Filter-Cleaner, Pre ●
968	698403	1	Cover cleaner , Air ●
1005	794438	1	Fan-Flywheel ●
1036		1	Label-Emissions ●
1040	699852	1	Plate-Trim ●
1044	698139	1	Screw (Crankshaft Extension) ●
1051	691265	1	Ring-Retaining ●
1070	690363	1	Screw (Flywheel Fan) ●
1267	697419	1	Latch-Housing, Blower ●

● Obtain parts from www.briggsandstratton.com



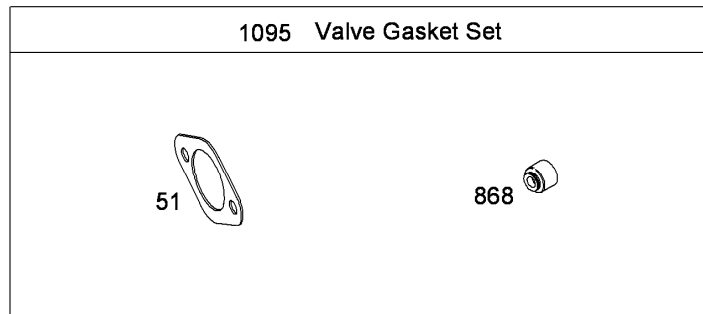
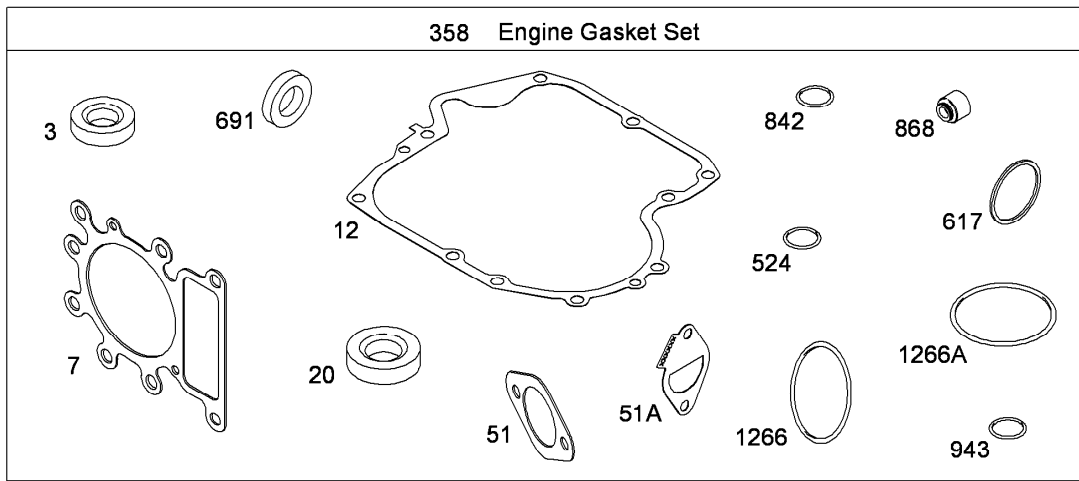
Assemblies include all parts shown in frames

Starter Assembly

Briggs and Stratton Model 31E777-0130-E1

Ref.	Part Number	Qty.	Description
309	693551	1	Motor-Starter ●
310	690323	1	Bolt (Starter Motor) ●
311	497608	1	Brush Set ●
462	691261	1	Washer (Brush Retainer) ●
503	691532	1	Strap-Starter ●
510	693699	1	Drive-Starter ●
513	692024	1	Clutch-Drive ●
544		1	Armature-Starter (For Service Order 693551) ●
579	691029	1	Nut (Brush Retainer) ●
697	690372	1	Screw (Drive Cap) ●
729	691224	1	Clip-Wire ●
783	693713	1	Gear-Pinion ●
797	693167	1	Nut (Brush Retainer) ●
801	691283	1	Cap-Drive ●
802	691286	1	Cap-End ●
803		1	Housing-Starter (For Service Order 693551) ●
1051	691265	1	Ring-Retaining ●
1090	691293	1	Retainer-Brush ●

● Obtain parts from www.briggsandstratton.com



Assemblies include all parts shown in frames

Gasket Set

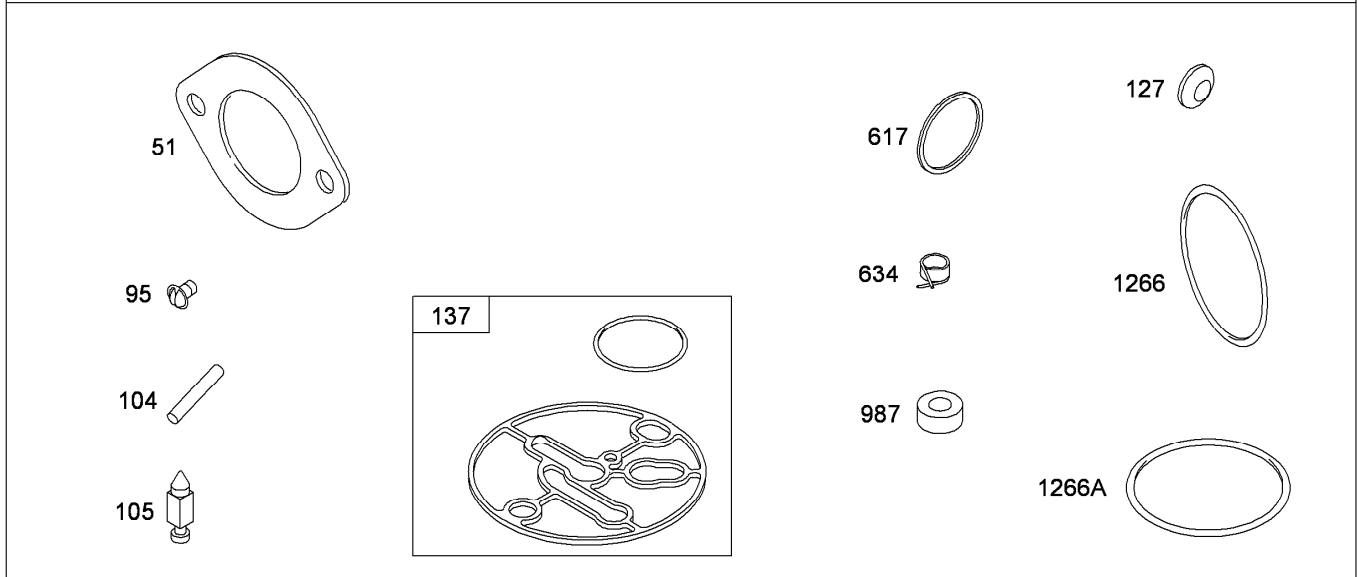
Briggs and Stratton Model 31E777-0130-E1

Ref.	Part Number	Qty.	Description
3	391086s	1	Seal-Oil (Magneto Side) ●■
7	699168	1	Gasket-Head, Cylinder ●■
12	697110	1	Gasket-Crankcase ●■
20	791892	1	Seal-Oil (PTO Side) ●■
51	692137	1	Gasket-Intake ●◆■▲
51A	794312	1	Gasket-Intake ●■
358	794150	1	Engine Gasket Set ●
524	691032	1	Seal-O Ring (Dipstick Tube) ●■
617	692138	1	Seal-O Ring (Intake Manifold) ●◆■
691	692407	1	Seal-Shaft, Governor ●■
842	691031	1	Seal-O Ring (Dipstick) ●■
868	690968	1	Seal-Valve ▲●■
943	690589	1	Seal-O Ring (Oil Pump Cover) ●■
1095	691581	1	Valve Gasket Set ●
1266	691917	1	Seal-O Ring (Intake Elbow) ●◆■
1266A	697123	1	Seal-O Ring (Intake Elbow) ●◆■

● Obtain parts from www.briggsandstratton.com
▲ Included in Valve Gasket Set (Ref. No. 1095)

■ Included in Engine Gasket Set (Ref. No. 358)
◆ Included in Carburetor Overhaul Kit (Ref. No. 121)

121 Carburetor Overhaul Kit



Assemblies include all parts shown in frames

Carburetor Overhaul Kit (Nikki) Briggs and Stratton Model 31E777-0130-E1

Ref.	Part Number	Qty.	Description
51	692137	1	Gasket-Intake ●◆■▲
95	690718	1	Screw (Throttle Valve) ●◆
104	694918	1	Pin-Hinge, Float ●◆
105	696136	1	Valve-Float, Needle ●◆
121	699521	1	Carburetor Overhaul Kit ●
127	690727	1	Plug-Welch ●◆
137	698781	1	Gasket-Bowl, Float ●◆
617	692138	1	Seal-O Ring (Intake Manifold) ●◆■
634	698779	1	Spring And Seal Asm ●◆
987	698777	1	Seal-Shaft, Throttle ●◆
1266	691917	1	Seal-O Ring (Intake Elbow) ●◆■
1266A	697123	1	Seal-O Ring (Intake Elbow) ●◆■

● Obtain parts from www.briggsandstratton.com
▲ Included in Valve Gasket Set (Ref. No. 1095)

■ Included in Engine Gasket Set (Ref. No. 358)
◆ Included in Carburetor Overhaul Kit (Ref. No. 121)

Attachments and Accessories

For 71252 XL 380H Lawn Tractor

Product Name	Model/Part
Tire Chains	11-0430
Blade	57-4700-03
8 Inch Rear Wheel Weight Kit	59159
9.0 cu. ft. Twin Bagger	79103
6.0 cu. ft. Easy-Empty Grass Catcher	79117
42 Inch Snow Blade	79150

Notes:

Notes:



Count on it.